



CRF150R / CRF150RB

CRF150R_D
CRF150RB_D

PARTS CATALOGUE

1

FOREWORD INDEX

1

ENGINE GROUP

2

FRAME GROUP

3

PART NUMBER INDEX

4

PART NAME INDEX

5

Instruction for use of parts catalogue

- **This parts catalogue has been created as of June 10, 2012.**
 - Since this date, the sales practice for repair parts may have been changed or the parts may have been eliminated (listed for those not for sale).
 - The modified information is reflected on the latest Electronic Parts Catalogue (EPC). Also, refer to the parts catalogue news for any change.
 - See the parts catalogue news for any revision that is made after June 10, 2012.
- **Always specify the part number when ordering a part.**
 - Check the model, type, serial numbers, color, maker, and the size as needed before ordering a part.
 - Note that the illustrations (part drawings) can differ from the actual parts in shape. They are given just to help you to refer to the parts.
- **When modifications or additions to this parts catalogue are made, a revised edition will be issued at an appropriate time, with successively progressing revision numbers on the cover. We recommend obtaining such revisions in order to keep your parts catalogue up-to-date at all times. To check whether a parts catalogue revision has been issued, please contact your Honda distributor.**

Initial version issue date
 June 10, 2012
Honda Motor Co., Ltd.

CONTENTS

	Page	Address No.
● Instruction for use of parts catalogue	1	B 1
● How to refer to the part information	2	B 2
● Part catalogue structure	3	B 3
● When the parts were revised	4	B 4
● Abbreviations used in the parts catalogue.....	4	B 4
● Part block and serial number check	5	B 5
● Models, parts catalogue codes and applicable serial numbers	6	B 6
● Fuel hose, general purpose hoses and vinyl hose	7	B 7
● FLAT RATE SERVICE TIME.....	11	B11
● Illustrated index	16	B16
● ENGINE GROUP.....	22	D 1
● FRAME GROUP.....	52	F 1
● PART NO. INDEX.....	86	I 1
● PART NAME INDEX.....	90	J 1

1

2

3

4

5

1

How to refer to the part information

A Reference with "Illustrated index"

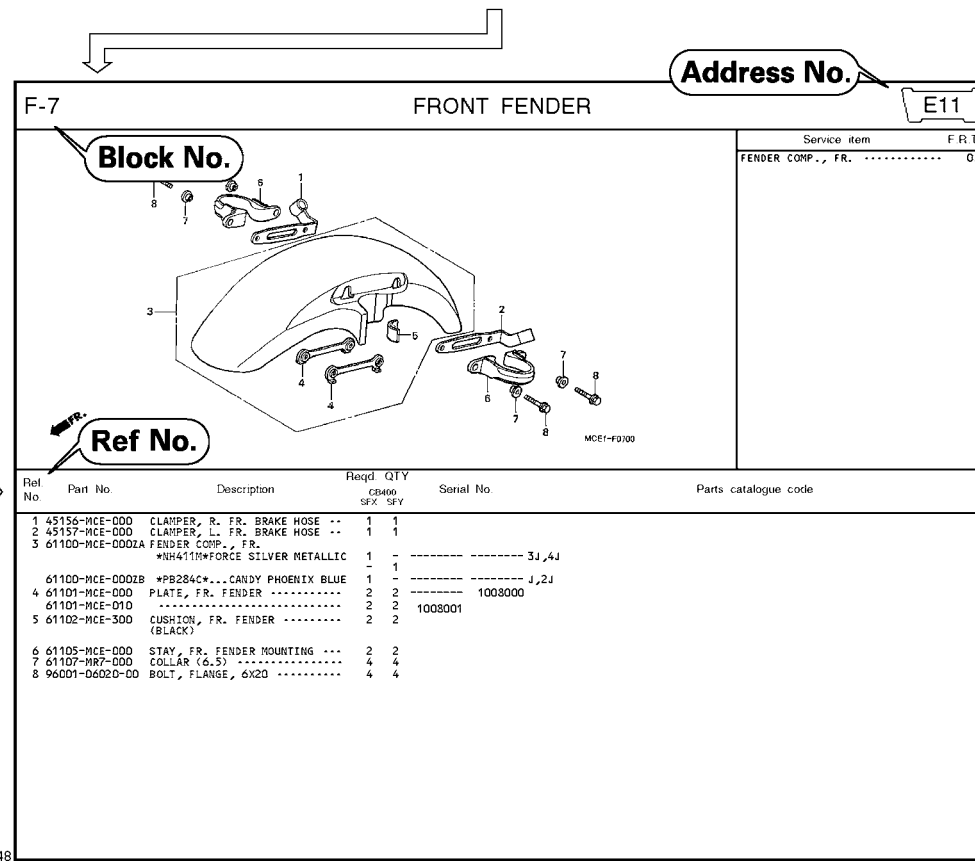


B Reference with "Part number index"

PART NO. INDEX					
Part Number	Address	Page	Rel	Part Number	Address Page Rel
04000				13323-MY9-751	C12 28 10 14921
04911-MCE-000	C10	26	1	13324-MY9-751	C12 28 10 14931
				13325-MY9-751	C12 28 10 14931
				13327-MY9-751	C12 28 10 14931
06000				14000	14931
06405-MY9-P00	F13	67	3	14100-MCE-000	B13 13 2 14931
06405-MY9-P10	F13	67	3	14200-MCE-000	B13 13 3 14931
06410-MY9-860	F2	56	1	14321-MCE-000	B16 16 2 14931
06435-MCE-006	F1	55	1	14401-MCE-003	B16 16 3 14931
06451-769-405	E13	51	2	14510-MBE-000	B16 16 4 14941
06451-443-405	F1	55	2	14520-MY9-691	B16 16 4 14941
06451-MA7-405	E13	51	1	14524-MY9-690	B16 16 6 14941
06455-MCE-006	E13	51	3	14546-MCE-000	B16 16 7 14941
				14620-MY9-691	B16 16 8 14941
11000				14711-MCE-000	B13 13 4 14941
11210-MCE-000	C9	25	1	14712-MCE-000	B13 13 5 14941
11330-MCE-305	C2	18	1	14721-MCE-000	B13 13 6 14941
11333-KT8-000	C6	22	1	14722-MCE-000	B13 13 7 14941
11335-MCE-000	C2	18	2	14730-MCE-000	B13 13 8 14941
11360-MCE-000	C7	23	1	14731-MCE-000	B13 13 9 14941
11365-MCE-000	C7	23	2	14731-MY9-751	B13 13 10 14941
11396-MY9-000	C2	18	3	14751-KY2-000	B13 13 11 14941
11631-MCE-000	C5	21	1	14751-MCE-000	B13 13 12 14941
11691-MY9-000	C5	21	2	14761-MCE-000	B13 13 13 14941

C Reference with "Part name index"

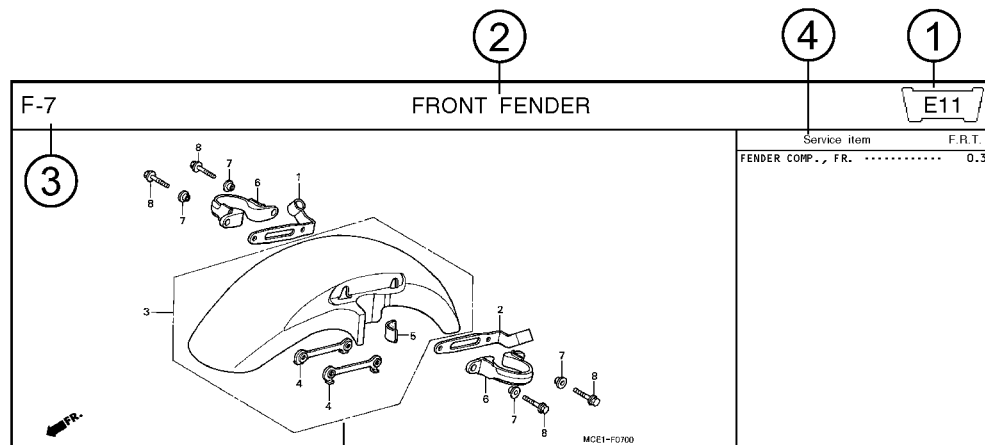
PART NAME INDEX					
Part name	Address	Page	Ref	Part name	Address Page Ref
[A]				BOLT , CHANG I	
ADJUSTER , CHAIN	F13	67	5	BOLT , CLUTC H	
ARM COMP. , SEA R CHANGE	F10	64	8	BOLT , CONNECT	
ARM , L. MAIN STEP	F11	65	8	BOLT , DISK , 6	
ARM , L. PILLI O STEP	F11	65	12	BOLT , DISK , 8	
ARM , R. MAIN STEP	F11	65	5	BOLT , DRAIN I	
ARM , R. PILLI O STEP	F11	65	11	BOLT , FLANG E	
AUT O DOC K ASSY. , FUEL	F4	58	2	BOLT , FLANG E	
AXLE , FR. WHEEL	E14	52	3	BOLT , FLANG E	
AXLE , RR. WHEEL	F2	56	5	BOLT , FLANG E	
[B]				BOLT , FLANG E	
BAG , AIR PRESSUR E GAUGE	F67	77	4	BOLT , FLANG E	
BAG , SERVICE BOOK	F67	77	1	BOLT , FLANG E	
BAG , TOOL	F67	77	3	BOLT , FLANG E	
BALL , STEEL	F11	65	20	BOLT , FLANG E	
BAND A , INSULATOR	B11	11	11	BOLT , FLANG E	
BAND B , INSULATOR	B11	11	12	BOLT , FLANG E	
BAND , AIR CLEANER CONNECTING				BOLT , FLANG E	
BAND , U-LOCK	F8	62	22	BOLT , FLANG E	
BAND , WIRE	F16	70	5	BOLT , FLANG E	
	C10	26	14		
	E5	43	21		
	G4	74	1R		



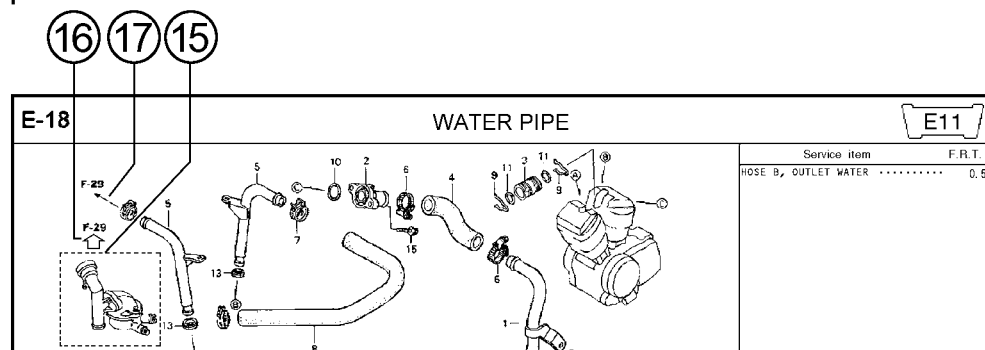
Page No.

2000.09.01 E

Part catalogue structure

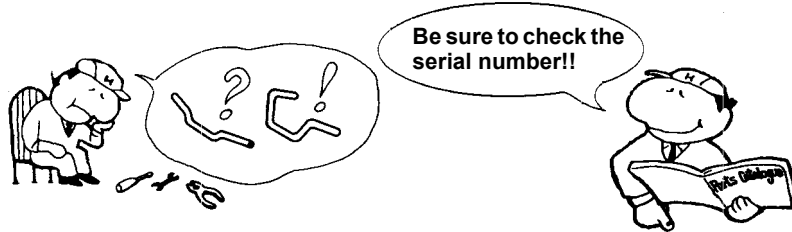


Ref. No.	Part No.	Description	Reqd. QTY		Serial No.	Parts catalogue code
			CB400	SFY		
1	45156-MCE-000	CLAMPER, R. FR. BRAKE HOSE ..	1	1		
2	45157-MCE-000	CLAMPER, L. FR. BRAKE HOSE ..	1	1		
3	61100-MCE-000ZA	FENDER COMP., FR. *NH411M*FORCE SILVER METALLIC	1	-	----- 3J,4J	
	61100-MCE-000ZB	*PB284C*...CANDY PHOENIX BLUE	1	-	----- J,2J	
4	61101-MCE-000	PLATE, FR. FENDER	2	2	1008000	
	61101-MCE-010	2	2	1008001	
5	61102-MCE-300	CUSHION, FR. FENDER	2	2		
		(BLACK)				



- ① **Address number**
 - Address No. is provided (in place of the page No.) to help you refer to the part with the part No. or part name.
- ② **Block title** ③ **Block number**
- ④ **Service item/Flat rate time**
- ⑤ **Reference number**
 - Title number marked with the parenthesis or parentheses indicates that it continues from the previous page.
- ⑥ **Part number** ⑦ **Honda color code**
- ⑧ **Description**
- ⑨ **Assemblies**
 - Sections framed with broken lines in the exploded view drawings are available as complete assemblies. (Their individual parts can also be obtained.)
- ⑩ **Color description**
- ⑪ **Note**
 - Notes are shown with the parentheses in the part name column.
- ⑫ **Required quantity**
 - Reqd. QTY shown in the parenthesis or parentheses indicates the optional part.
 - Reqd. QTY marked with "N" indicates the optional part that should be selected as needed.
 - Reqd. QTY indicates the number of the part used in the block.
- ⑬ **Serial number**
- ⑭ **Parts catalogue code**
 - When the parts catalogue code column is blank, it indicates that the part is applicable to all codes.
- ⑮
 - Parts enclosed within a dotted line are covered in a different block.
- ⑯
 - A hollow arrow indicates the block No. for the parts enclosed within a dotted line .
- ⑰
 - A solid arrow indicates the block No. the part in question is connected to.

When the parts were revised



Ref. No.	Part No.	Description	Reqd. QTY		Serial No.
			CB400	SFX SFY	
1	45156-MCE-000	CLAMPER, R. FR. BRAKE HOSE ..	1	1	
2	45157-MCE-000	CLAMPER, L. FR. BRAKE HOSE ..	1	1	
3	61100-MCE-000ZA	FENDER COMP., FR. *NH411M*FORCE SILVER METALLIC	1	-	-----3J,4J
	61100-MCE-000ZB	*PB284C*...CANDY PHOENIX BLUE	1	-	-----J,2J
4	61101-MCE-000	PLATE, FR. FENDER (###).....	2	2	-----1008000
	61101-MCE-010	2	2	-----1008001
5	61102-MCE-300	CUSHION, FR. FENDER (BLACK)	2	2	
6	61105-MCE-000	STAY, FR. FENDER MOUNTING ...	2	2	
7	61107-MR7-000	COLLAR (6.5)	4	4	
8	96001-06020-00	BOLT, FLANGE, 6X20	4	4	

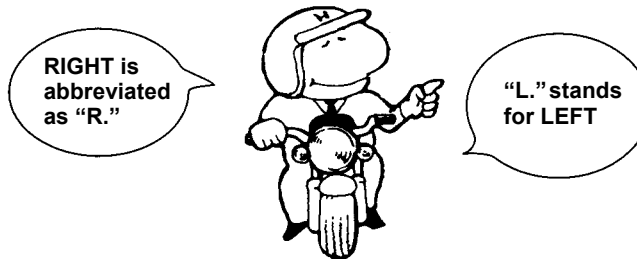
The number has been used from the initial model without revision.

When shown at the left side, it is applicable to the models of No.1008001 and the subsequent numbers.

When shown at the right side, it is applicable to the models up to No.1008000.

The parts listed with "###" at the end of the parts name have limited supply period (parts not for sale).

Abbreviations used in the parts catalogue

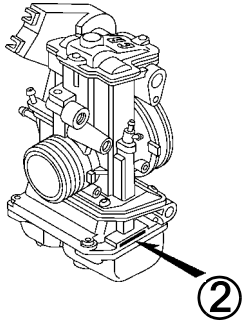
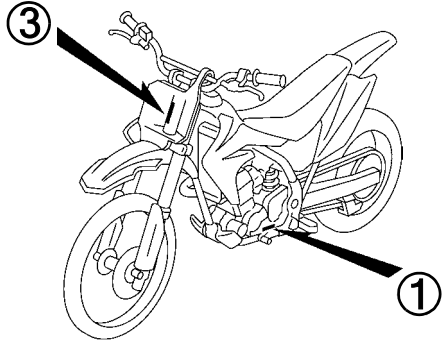
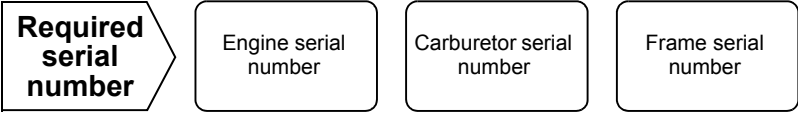
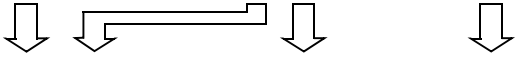
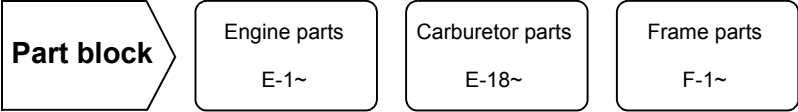


* "L." or "R." in the description of a part stands for the LEFT hand side or the RIGHT hand side. Determine the left or right as if you were in the motorcycle seat.

The following abbreviations are used in this parts catalogue.

- A Ampere
- ABS Anti-lock brake system
- A.C. Alternating current
- A.M. Attaching mark
- ASSY. Assembly
- C.D.I. Capacitive discharge ignition
- COMP. ... Complete
- D.C. Direct current
- EX. Exhaust
- FR. Front
- G Gram
- HEX. Hexagonal
- IN. Inlet
- KPH Kilometers per hour
- L.Left
- L (100L) .Link (100 Links)
- L.E.D.Light emitted diode
- MMMillimeter
- MPHMiles per hour
- R.Right
- RR.Rear
- STD.Standard
- T (22T) ...Tooth (22 Teeth)
- TCSTraction control system
- T.M.Transcript mark
- VVolt
- WWatt
- WLWith labelling
- WOLWithout labelling

Part block and serial number check



Models, parts catalogue codes and applicable serial numbers

Models, parts catalogue codes and applicable serial Nos. given in this parts catalogue can be identified as follows.

Parts with parts catalogue codes are exclusive for models destined for countries designated.

If no area codes are listed, parts are for common use.

Model	Area code	Type	Applicable engine serial No.	Applicable frame serial No.	Applicable carburetor identification No.
CRF150Rd	ED	European direct sales	KE03E-5300001~	JH2KE03A*DK400001~	FCR15C A
	U	Australia	KE03E-5300001~	JH2KE03U*DK400001~	
CRF150RBd	ED	European direct sales	KE03E-5300001~	JH2KE03A*DK400001~	
	U	Australia	KE03E-5300001~	JH2KE03U*DK400001~	

* Of carburetor/throttle body identification numbers, only the portions underlined in the example below are used for registration.

FCR15C A KC ア

Fuel hose, general purpose hoses and vinyl hose

- The standard part fuel hose, general purpose hose and vinyl hose may be substituted by the coiled bulk part.
- When ordering the standard part fuel hose, general purpose hose and vinyl hose use the bulk part number written in the parts catalogue in brackets () underneath the part name, or use the catalogue below.
(The bulk part standard length is 1 m, however, those displayed in the catalogue < > are available in 3 m and 8 m lengths.)
- When exchanging the hose, cut and use at the specified length as mentioned in the part name.
(For the method of cutting the bulk part, and method of filling out orders etc., please refer to the service manual and the instructions issued with the bulk part.)
- The list below is a catalogue of the standard part numbers and bulk part numbers. Note that those numbers are applicable to the listed replacement parts only.

Fuel hoses/Tubes			
Standard part No.	Bulk part No.	Bulk part	
		Inner diameter (mm)	Length (m)
95001-30xxx-2x	95001-30001-20M	3.0	1
95001-30xxx-3x	95001-30001-30M	3.0	1
95001-30xxx-4x	95001-30001-40M	3.0	1
95001-35xxx-2x	95001-35001-50M <95001-35003-50M>	3.5	1 3
95001-35xxx-3x	95001-35001-60M <95001-35003-60M>	3.5	1 3
95001-35xxx-4x	95001-35001-60M <95001-35003-60M>	3.5	1 3
95001-35xxx-5x	95001-35001-50M <95001-35003-50M>	3.5	1 3
95001-35xxx-6x	95001-35001-60M <95001-35003-60M>	3.5	1 3
95001-45xxx-2x	95001-45001-50M <95001-45003-50M>	4.5	1 3
95001-45xxx-3x	95001-45001-60M <95001-45003-60M> <95001-45008-60M>	4.5	1 3 8
95001-45xxx-4x	95001-45001-60M <95001-45003-60M> <95001-45008-60M>	4.5	1 3 8
95001-45xxx-5x	95001-45001-50M <95001-45003-50M>	4.5	1 3
95001-45xxx-6x	95001-45001-60M <95001-45003-60M> <95001-45008-60M>	4.5	1 3 8
95001-55xxx-2x	95001-55001-50M <95001-55003-50M> <95001-55008-50M>	5.5	1 3 8

Fuel hoses/Tubes			
Standard part No.	Bulk part No.	Bulk part	
		Inner diameter (mm)	Length (m)
95001-55xxx-3x	95001-55001-60M <95001-55003-60M> <95001-55008-60M>	5.5	1 3 8
95001-55xxx-4x	95001-55001-60M <95001-55003-60M> <95001-55008-60M>	5.5	1 3 8
95001-55xxx-5x	95001-55001-50M <95001-55003-50M> <95001-55008-50M>	5.5	1 3 8
95001-55xxx-6x	95001-55001-60M <95001-55003-60M> <95001-55008-60M>	5.5	1 3 8
95001-75xxx-2x	95001-75001-50M <95001-75003-50M>	7.5	1 3
95001-75xxx-3x	95001-75001-60M <95001-75003-60M> <95001-75008-60M>	7.5	1 3 8
95001-75xxx-4x	95001-75001-60M <95001-75003-60M> <95001-75008-60M>	7.5	1 3 8
95001-75xxx-5x	95001-75001-50M <95001-75003-50M>	7.5	1 3
95001-75xxx-6x	95001-75001-60M <95001-75003-60M> <95001-75008-60M>	7.5	1 3 8
95001-80xxx-2x	95001-80001-50M	8.0	1
95001-80xxx-3x	95001-80001-60M	8.0	1
95001-80xxx-4x	95001-80001-60M	8.0	1
95001-80xxx-5x	95001-80001-50M	8.0	1
95001-80xxx-6x	95001-80001-60M	8.0	1

Vinyl tube				
Standard part No.	Bulk part No.	Bulk part		
		Inner dia- meter (mm)	Outer dia-meter (mm)	Length (m)
95003-01xxx-3x	95003-01001-60M <95003-01003-60M>	2.9	6.8	1 3
95003-01xxx-60	95003-01001-60M <95003-01003-60M>	2.9	6.8	1 3
95003-03xxx-3x	95003-03001-60M <95003-03003-60M>	3.0	6.0	1 3
95003-03xxx-60	95003-03001-60M <95003-03003-60M>	3.0	6.0	1 3
95003-05xxx-3x	95003-05001-60M <95003-05003-60M> <95003-05008-60M>	3.5	6.5	1 3 8
95003-05xxx-60	95003-05001-60M <95003-05003-60M> <95003-05008-60M>	3.5	6.5	1 3 8
95003-07xxx-1x	95003-07001-10M <95003-07003-10M> <95003-07008-10M>	4.0	7.0	1 3 8
95003-07xxx-20	95003-07001-10M <95003-07003-10M> <95003-07008-10M>	4.0	7.0	1 3 8
95003-07xxx-3x	95003-07001-60M <95003-07003-60M> <95003-07008-60M>	4.0	7.0	1 3 8
95003-07xxx-60	95003-07001-60M <95003-07003-60M> <95003-07008-60M>	4.0	7.0	1 3 8
95003-07xxx-7x	95003-07001-70M <95003-07003-70M> <95003-07008-70M>	4.0	7.0	1 3 8
95003-08xxx-1x	95003-08001-10M <95003-08003-10M> <95003-08008-10M>	4.5	6.5	1 3 8
95003-09xxx-3x	95003-09001-60M <95003-09003-60M>	4.5	8.0	1 3
95003-09xxx-60	95003-09001-60M <95003-09003-60M>	4.5	8.0	1 3
95003-10xxx-1x	95003-10001-10M <95003-10003-10M>	5.0	8.0	1 3
95003-10xxx-20	95003-10001-10M <95003-10003-10M>	5.0	8.0	1 3
95003-10xxx-3x	95003-10001-60M <95003-10003-60M>	5.0	8.0	1 3
95003-10xxx-60	95003-10001-60M <95003-10003-60M>	5.0	8.0	1 3
95003-11xxx-3x	95003-11001-60M <95003-11003-60M> <95003-11008-60M>	5.0	9.0	1 3 8
95003-11xxx-60	95003-11001-60M <95003-11003-60M> <95003-11008-60M>	5.0	9.0	1 3 8
95003-12xxx-1x	95003-12001-10M <95003-12003-10M> <95003-12008-10M>	5.0	7.0	1 3 8
95003-12xxx-20	95003-12001-10M <95003-12003-10M> <95003-12008-10M>	5.0	7.0	1 3 8

Vinyl tube				
Standard part No.	Bulk part No.	Bulk part		
		Inner dia- meter (mm)	Outer dia-meter (mm)	Length (m)
95003-14xxx-1x	95003-14001-10M <95003-14003-10M>	6.0	9.0	1 3
95003-14xxx-20	95003-14001-10M <95003-14003-10M>	6.0	9.0	1 3
95003-14xxx-3x	95003-14001-60M <95003-14003-60M>	6.0	9.0	1 3
95003-17xxx-1x	95003-17001-10M <95003-17003-10M>	7.0	9.0	1 3
95003-19xxx-1x	95003-19001-10M <95003-19003-10M> <95003-19008-10M>	7.0	11.0	1 3 8
95003-19xxx-20	95003-19001-10M <95003-19003-10M> <95003-19008-10M>	7.0	11.0	1 3 8
95003-19xxx-3x	95003-19001-60M <95003-19003-60M> <95003-19008-60M>	7.0	11.0	1 3 8
95003-19xxx-60	95003-19001-60M <95003-19003-60M> <95003-19008-60M>	7.0	11.0	1 3 8
95003-21xxx-1x	95003-21001-10M <95003-21003-10M>	8.0	9.0	1 3
95003-21xxx-20	95003-21001-10M <95003-21003-10M>	8.0	9.0	1 3
95003-23xxx-1x	95003-23001-10M <95003-23003-10M>	8.0	12.0	1 3
95003-23xxx-20	95003-23001-10M <95003-23003-10M>	8.0	12.0	1 3
95003-23xxx-3x	95003-23001-60M <95003-23003-60M> <95003-23008-60M>	8.0	12.0	1 3 8
95003-23xxx-60	95003-23001-60M <95003-23003-60M> <95003-23008-60M>	8.0	12.0	1 3 8
95003-25xxx-1x	95003-25001-10M <95003-25003-10M>	9.0	11.0	1 3
95003-25xxx-20	95003-25001-10M <95003-25003-10M>	9.0	11.0	1 3
95003-25xxx-3x	95003-25001-60M <95003-25003-60M>	9.0	11.0	1 3
95003-25xxx-7x	95003-25001-70M <95003-25003-70M>	9.0	11.0	1 3
95003-27xxx-1x	95003-27001-10M <95003-27003-10M>	9.0	13.0	1 3
95003-27xxx-20	95003-27001-10M <95003-27003-10M>	9.0	13.0	1 3
95003-27xxx-3x	95003-27001-60M <95003-27003-60M>	9.0	13.0	1 3
95003-27xxx-60	95003-27001-60M <95003-27003-60M>	9.0	13.0	1 3
95003-33xxx-1x	95003-33001-10M <95003-33003-10M>	10.0	14.0	1 3
95003-33xxx-20	95003-33001-10M <95003-33003-10M>	10.0	14.0	1 3

Vinyl tube				
Standard part No.	Bulk part No.	Bulk part		
		Inner dia- meter (mm)	Outer dia-meter (mm)	Length (m)
95003-36xxx-1x	95003-36001-10M <95003-36003-10M> <95003-36008-10M>	11.0	13.0	1 3 8
95003-36xxx-20	95003-36001-10M <95003-36003-10M> <95003-36008-10M>	11.0	13.0	1 3 8
95003-37xxx-3x	95003-37001-60M <95003-37003-60M>	11.0	15.0	1 3
95003-37xxx-60	95003-37001-60M <95003-37003-60M>	11.0	15.0	1 3
95003-38xxx-1x	95003-38001-10M <95003-38003-10M>	12.0	13.0	1 3
95003-38xxx-20	95003-38001-10M <95003-38003-10M>	12.0	13.0	1 3
95003-39xxx-1x	95003-39001-10M <95003-39003-10M>	12.0	14.0	1 3
95003-39xxx-20	95003-39001-10M <95003-39003-10M>	12.0	14.0	1 3
95003-40xxx-20	95003-40001-10M <95003-40003-10M>	12.0	16.0	1 3
95003-40xxx-3x	95003-40001-60M <95003-40003-60M>	12.0	16.0	1 3
95003-40xxx-60	95003-40001-60M <95003-40003-60M>	12.0	16.0	1 3
95003-43xxx-1x	95003-43001-10M <95003-43003-10M> <95003-43008-10M>	13.0	15.0	1 3 8
95003-43xxx-20	95003-43001-10M <95003-43003-10M> <95003-43008-10M>	13.0	15.0	1 3 8
95003-45xxx-1x	95003-45001-10M <95003-45003-10M> <95003-45008-10M>	14.0	18.0	1 3 8
95003-45xxx-20	95003-45001-10M <95003-45003-10M> <95003-45008-10M>	14.0	18.0	1 3 8
95003-50xxx-1x	95003-50001-10M <95003-50003-10M>	16.0	19.0	1 3
95003-50xxx-20	95003-50001-10M <95003-50003-10M>	16.0	19.0	1 3
95003-50xxx-3x	95003-50001-60M <95003-50003-60M>	16.0	19.0	1 3
95003-55xxx-1x	95003-55001-10M <95003-55003-10M>	17.5	20.5	1 3
95003-55xxx-20	95003-55001-10M <95003-55003-10M>	17.5	20.5	1 3
95003-60xxx-1x	95003-60001-10M <95003-60003-10M>	22.0	27.0	1 3
95003-60xxx-20	95003-60001-10M <95003-60003-10M>	22.0	27.0	1 3
95003-60xxx-3x	95003-60001-60M <95003-60003-60M>	22.0	27.0	1 3
95003-60xxx-60	95003-60001-60M <95003-60003-60M>	22.0	27.0	1 3

General purpose hoses			
Standard part No.	Bulk part No.	Bulk part	
		Inner diameter (mm)	Length (m)
95005-11xxx-3x	95005-11001-30M	11.0	1
95005-11xxx-5x	95005-11001-50M	11.0	1
95005-12xxx-1x	95005-12001-10M <95005-12003-10M>	12.0	1 3
95005-12xxx-2x	95005-12001-20M	12.0	1
95005-12xxx-3x	95005-12001-30M	12.0	1
95005-12xxx-5x	95005-12001-50M	12.0	1
95005-14xxx-1x	95005-14001-10M	14.0	1
95005-14xxx-2x	95005-14001-20M <95005-14003-20M>	14.0	1 3
95005-14xxx-3x	95005-14001-30M	14.0	1
95005-14xxx-5x	95005-14001-50M	14.0	1
95005-17xxx-1x	95005-17001-10M	17.0	1
95005-17xxx-2x	95005-17001-20M	17.0	1
95005-17xxx-3x	95005-17001-30M	17.0	1
95005-17xxx-5x	95005-17001-50M	17.0	1
95005-30xxx-3x	95005-30001-30M	3.0	1
95005-30xxx-5x	95005-30001-50M	3.0	1
95005-35xxx-1x	95005-35001-10M <95005-35003-10M> <95005-35008-10M>	3.5	1 3 8
95005-35xxx-2x	95005-35001-20M	3.5	1
95005-35xxx-3x	95005-35001-30M	3.5	1
95005-35xxx-4x	95005-35001-10M <95005-35003-10M> <95005-35008-10M>	3.5	1 3 8
95005-35xxx-5x	95005-35001-50M	3.5	1
95005-45xxx-1x	95005-45001-10M <95005-45003-10M> <95005-45008-10M>	4.5	1 3 8
95005-45xxx-2x	95005-45001-20M	4.5	1
95005-45xxx-3x	95005-45001-30M	4.5	1

General purpose hoses			
Standard part No.	Bulk part No.	Bulk part	
		Inner diameter (mm)	Length (m)
95005-45xxx-4x	95005-45001-10M <95005-45003-10M> <95005-45008-10M>	4.5	1 3 8
95005-45xxx-5x	95005-45001-50M	4.5	1
95005-50xxx-3x	95005-50001-30M <95005-50003-30M>	5.0	1 3
95005-50xxx-5x	95005-50001-50M	5.0	1
95005-55xxx-1x	95005-55001-10M <95005-55003-10M> <95005-55008-10M>	5.3	1 3 8
95005-55xxx-2x	95005-55001-20M <95005-55003-20M>	5.3	1 3
95005-55xxx-4x	95005-55001-10M <95005-55003-10M> <95005-55008-10M>	5.3	1 3 8
95005-65xxx-1x	95005-65001-10M <95005-65003-10M>	6.5	1 3
95005-65xxx-2x	95005-65001-20M	6.5	1
95005-70xxx-3x	95005-70001-30M <95005-70003-30M>	7.0	1 3
95005-70xxx-5x	95005-70001-50M	7.0	1
95005-75xxx-1x	95005-75001-10M <95005-75003-10M>	7.3	1 3
95005-75xxx-2x	95005-75001-20M	7.3	1
95005-80xxx-1x	95005-80001-10M <95005-80003-10M>	8.0	1 3
95005-80xxx-2x	95005-80001-20M	8.0	1
95005-80xxx-3x	95005-80001-30M	8.0	1
95005-80xxx-5x	95005-80001-50M	8.0	1
95005-91xxx-3x	95005-91001-30M	12.0	1
95005-91xxx-5x	95005-91001-50M	12.0	1
95005-92xxx-3x	95005-92001-30M	12.0	1
95005-92xxx-5x	95005-92001-50M	12.0	1

NOTE: X is displayed to represent the omitted numerals and letters of the roman alphabet.

⊙ **CAUTION: It is DANGEROUS to confuse the fuel hose with the general purpose hose or vinyl hose.**

Never use a general purpose hose or vinyl hose in place of a fuel hose or vice versa. Always use the correct bulk part in the parts catalogue, according to the service manual or the instructions issued with the bulk part.

• Bulk part number of fuel hose, general purpose hose and vinyl hose.

(Example)

9 5 0 0 1 - 7 5 0 0 1 - 5 0 M

Bulk part number: Refers to the bulk part.

Marking code (hose type): (fuel hose and general purpose hose)

Change code (for added hose): (Vinyl hose)

- Indicates number mark or change sequence, however, the code for the bulk part must be strictly 0 (zero).

Types of code:

- Fuel hose
 - 2: Red outside braid (3 mm inside dia. only)
 - 5: Black inside braid
 - 3: Red (3 mm inside dia. only)
 - 4: Ash gray with red stripe (3 mm inside dia. only)
 - 6: Black

- Vinyl hose
 - 1: Clear
 - 2: Black
 - 3: Light red
 - 6: Light red
 - 7: Pale black

- General hose
 - 1: Ash gray
 - 2: Ash gray
 - 3: Black
 - 5: Black

Lengths: 001: 1 m (standard)
003: 3 m
008: 8 m

I.D code: (fuel hose and general purpose hose)

- 30: 3.0 mm
- 35: 3.5 mm
- 45: 4.5 mm
- 50: 5.0 mm
- 55: 5.3 mm, 5.5 mm
- 65: 6.5 mm
- 70: 7.0 mm
- 75: 7.3 mm, 7.5 mm
- 80: 8.0 mm
- 11: 11 mm
- 91: 12 mm (outside dia. 15) mm
- 92: 12 mm (outside dia. 16) mm
- 12: 12 mm (outside dia. 17) mm
- 14: 14 mm
- 17: 17 mm

ID./OD. code: (vinyl hose)

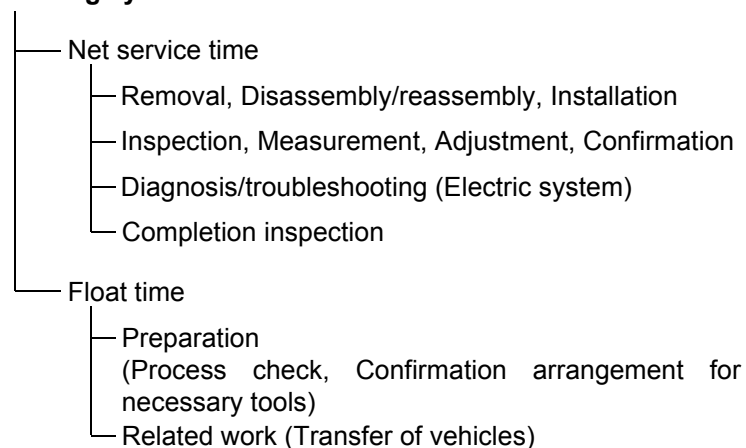
- 01: ID. 2.9, OD. 6.8 mm
- 03: ID. 3.0, OD. 6.0 mm
- 05: ID. 3.5, OD. 6.5 mm
- 07: ID. 4.0, OD. 7.0 mm
- 08: ID. 4.5, OD. 6.5 mm
- 09: ID. 4.5, OD. 8.0 mm
- 12: ID. 5.0, OD. 7.0 mm
- 10: ID. 5.0, OD. 8.0 mm
- 11: ID. 5.0, OD. 9.0 mm
- 14: ID. 6.0, OD. 9.0 mm
- 17: ID. 7.0, OD. 9.0 mm
- 19: ID. 7.0, OD. 11.0 mm
- 21: ID. 8.0, OD. 9.0 mm
- 23: ID. 8.0, OD. 12.0 mm
- 25: ID. 9.0, OD. 11.0 mm
- 27: ID. 9.0, OD. 13.0 mm
- 33: ID. 10.0, OD. 14.0 mm
- 36: ID. 11.0, OD. 13.0 mm
- 37: ID. 11.0, OD. 15.0 mm
- 38: ID. 12.0, OD. 13.0 mm
- 39: ID. 12.0, OD. 14.0 mm
- 40: ID. 12.0, OD. 16.0 mm
- 43: ID. 13.0, OD. 15.0 mm
- 45: ID. 14.0, OD. 18.0 mm
- 50: ID. 16.0, OD. 19.0 mm
- 55: ID. 17.5, OD. 20.5 mm
- 60: ID. 22.0, OD. 27.0 mm

Hose type: 1: Fuel hose
3: Vinyl hose
5: General hose

FLAT RATE SERVICE TIME

Flat rate service time (FRT) means the standard time required to service a MC, which is listed in this manual to help the dealers control the actual working process and calculate the service charge by using it as a guide.

FRT setting system



* Float time is set by multiplying the net service time by a given coefficient.

Editorial style

The service items shown in the text are listed with the exchange work time for the repair sales parts as the subject. Other representative service items not using repair parts (removal/installation, adjustment, inspection/measuring, and other work) are listed collectively in the list in the preface, classified according to the work.

FRT setting standard

- Decimal system (in unit of 0.1) is adopted to set FRT as it is convenient to calculate the wage.
Example: (0.1) → 6 minutes, (0.2) → 12 minutes
[Labor cost per hour] x [FRT] = [Wage]
- FRT is set with a hand tool.
- Service items and FRT can be subject to change depending on development of tools and service equipment and improvement in service procedure.

Work procedure

- As the work procedure is set with the work time according to the method in the separate Service Manual, refer to this Manual as required.
- Work methods permitting servicing in the shortest time still permitting assurance of safe work and product warranty are used for the setting of service items not listed in the Service Manual.
- Work basically is to be performed by one person, and when two or more people are required, setting is done as the total time for the number of people.
- The set value for the technological level of the workers uses a person with three years of experience in the repair of Honda vehicles as the standard.
- Special tools and service equipment used to set FRT are those specified or recommended in Service Manual.

Service item whose FRT is not presented

- Accessories and service parts that are not listed to use in this manual.
 - Locations with little aging deterioration or breakage during normal use.
 - Service work that can be finished by one touch.
 - Service work that is seldom done (i.e. extremely small causes of trouble and service frequency).
- * When FRT is not presented, please calculate wages based on appropriate actual work time

Operation not included of FRT

- Oil and coolant water draining, Waiting time for warming up operation and etc..
- Additional operation that involves removal/installation of standard exterior equipment.
- Indirect time spent for service by visiting the customer, trade-in, and delivery of a MC.
- Indirect time required for ordering and delivery of parts.
- Cost for grease, adhesive agent, etc. used for service work.

**Explanation of FRT by using an example
(The example may differ from the actual presented items)**

Ref. No.	L.O.N.	(Relative ref. Number) Description	F.R.T.
②	111118	(1, 3, 4, 7) CAMSHAFT 4.5	②
③	111118A	⑥ • Includes: Valve clearance adjustment Replace rocker arm add 1.0	⑤

- ① Reference No. of the illustration of part that shows location of the replacement work.
- ② FRT is an abbreviation of Flat Rate Time indicating the standard service time required for the replacement.
- ③ LON is an abbreviation of Labor Operation Number, and it is a classification of the service items by the work unit code.

The same operation code is used regardless of the models.

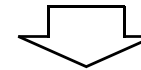
Standard operation is indicated with 6 digits code, and additional operation is indicated with 7 digits code.
- ④ Indicating the camshaft replacement and FRT4.5.
- ⑤ Indicating FRT1.0 that will be added when additional operation (replace rocker arm) is done in association with camshaft replacement.

- ⑥ Indicating work contents that are included in the service item.
- ⑦ Indicating a reference No. whose operation and time are the same as FRT4.5 for the camshaft.

(The application range is limited to the service items without an LON setting within a same block.)

**How to refer to the service item by using the sample
(camshaft replacement)**

Open to the page of the block where the camshaft's spare part illustration is shown.



Look for the camshaft illustration, and refer to the service item and FRT that agree with the reference No.

Indication mark for the listing of service items that continues to the following page

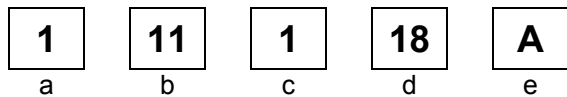
Ref. No.	L.O.N.	(Relative ref. Number) Description	F.R.T.
2	111118	CAMSHAFT	4.5
	.	.	.
	.	.	.
+			

Mark indicated at the last line.

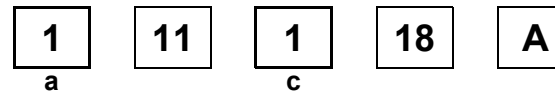
Indication of the block with no setting of FRT

Ref. No.	L.O.N.	(Relative ref. Number) Description	F.R.T.
NO INFORMATION			

• LON code system



- a) Category code..... Engine
- b) Location/function code Engine upper
- c) Operation code..... Replace
- d) Operation sequence number (Unit code can be shown with alphabet)
..... camshaft
(No regular rule of code)
- e) Additional code replace rocker arm
(No regular rule of code)



a) Category codes and classification

Code	Category
1	Engine
2	Transmission
3	Fuel & Exhaust
4	Frame & Body
5	Steering/Suspension
6	Electrical
7	Wheels/Brakes
8	Controls/instrument
9	-
0	-

c) Operation codes and classification

Code	Operation category
1	Replace, Removal/Installation, Change
2	Overhaul
3	Adjust, Balance
4	(Paint-related work: Top-coat)
5	Test, Inspect/diagnose, Measurement, Check
6	(Overhaul-related work: Rebore)
7	(Overhaul-related work: Reseal)
8	(Resurface)
9	(Paint-related work: Refinish)
0	Repair, Cleaning, Air bleeding

Major service items without using spare parts

(1) Removal/Installation, (2) Adjustment,
(3) Inspection/Measurement, (4) Overhaul, (5) Other work

E: Engine, F: Frame

* OPERATIONS OTHER THAN REPLACING PARTS

(1) Removal and installation

Set for the configuration with the parts removed from the vehicle.

	LON	DESCRIPTION	FRT
E	1101E5	TILTING ENGINE ASSEMBLY-REMOVAL/INSTALLATION INCLUDES: All necessary adjustment	1.4
	1111K0	CYLINDER HEAD ASSEMBLY-REMOVAL/INSTALLATION	1.6
	3111D6	CARBURETOR ASSEMBLY-REMOVAL/INSTALLATION	0.5
	1101E6	CRANKCASE SEPARATION INCLUDES: Engine removal and installation	3.6
F	1151E6	RADIATOR ASSEMBLY-REMOVAL/INSTALLATION	0.5
	1151E6C	1 radiator add	0.2

(2) Adjustment

	LON	DESCRIPTION	FRT
E	3113A0	CARBURETOR IDLE-ADJUSTMENT	0.1
	2123A0	CLUTCH-ADJUSTMENT INCLUDES: Clutch lever adjustment	0.1
	6143A1	SPARK PLUG-ADJUSTMENT/CLEANING	0.1
	1113A0	VALVE CLEARANCE-ADJUSTMENT NOTE: For 1 vehicle	0.9
F	2133A0	DRIVE CHAIN-ADJUSTMENT	0.1
	3113A3	THROTTLE OPERATION-ADJUSTMENT	0.1

(3) Inspection, Measurement

	LON	DESCRIPTION	FRT
E	1115A0	COMPRESSION PRESSURE-MEASUREMENT	0.1
	3115A0	CARBURETOR FLOAT LEVEL-MEASUREMENT	0.6
	6145A0	IGNITION TIMING-INSPECTION	0.3

(4) Overhaul

Work condition: The required Measurements, inspections, adjustments, and cleaning/washing of each part are performed, including the main body removal/installation work and the replacement of defective parts.

	LON	DESCRIPTION	FRT
E	311200	CARBURETOR-OVERHAUL INCLUDES: All necessary adjustment	0.9

(5) Other work

	LON	DESCRIPTION	FRT
E	1130A1	OIL FILTER SCREEN-CLEANING	0.5
F	3120A0	CLEANER ELEMENT-CLEANING	0.2
	7110A0	FRONT BRAKE-AIR BLEEDING	0.2
	7110A1	REAR BRAKE-AIR BLEEDING	0.2
	1151E7	RADIATOR COOLANT-CHANGE	0.3

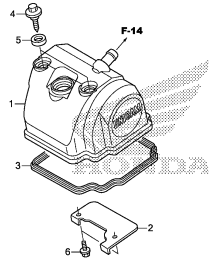
ENGINE GROUP

B16

E-1

CYLINDER HEAD COVER

D 1

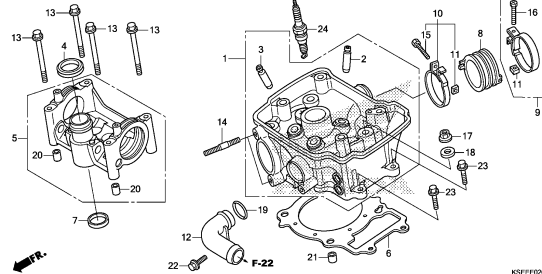


KSEEE0100

E-2

CYLINDER HEAD

D 2

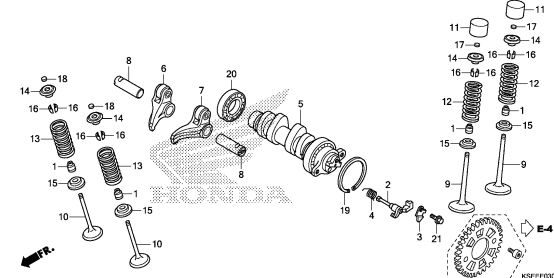


KSEEE0200

E-3

CAMSHAFT/VALVE

D 4

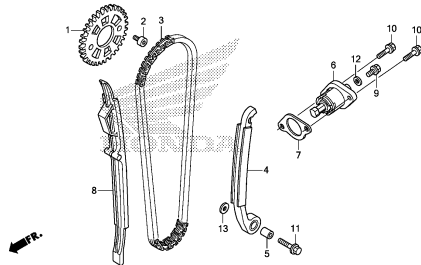


KSEEE0300

E-4

CAM CHAIN/TENSIONER

D 8

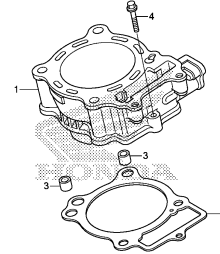


KSEEE0400

E-5

CYLINDER

D 9

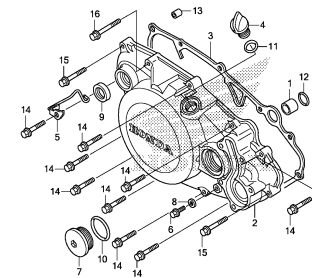


KSEEE0500

E-6

R. CRANKCASE COVER

D10

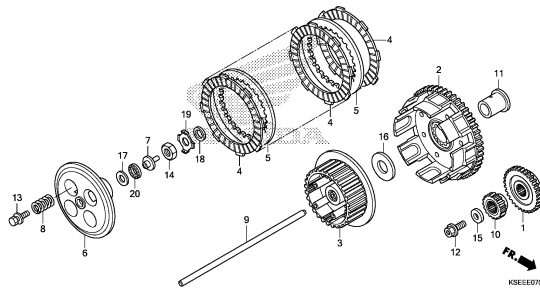


KSEEE0600

E-7

CLUTCH

D11

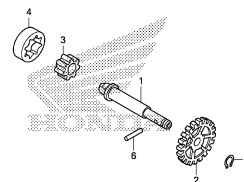


KSEEE0700

E-8

OIL PUMP

D12

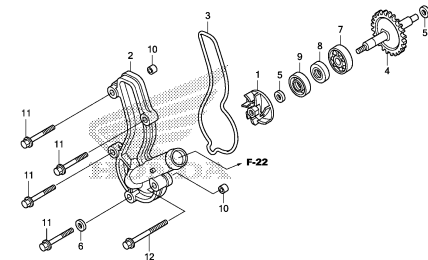


KSEEE0800

E-9

WATER PUMP

D13



KSEEE0900

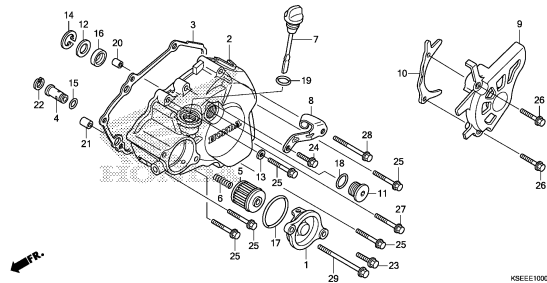
ENGINE GROUP

C 1

E-10

L. CRANKCASE COVER

D14

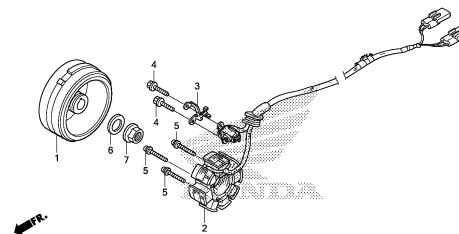


KSEEE1000

E-11

GENERATOR

D16

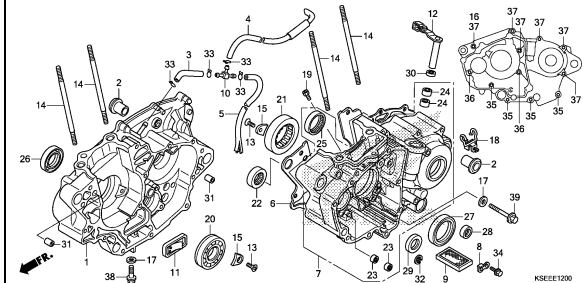


KSEEE1100

E-12

CRANKCASE

E 1

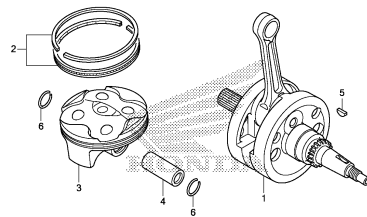


KSEEE1200

E-13

CRANKSHAFT/PISTON

E 3

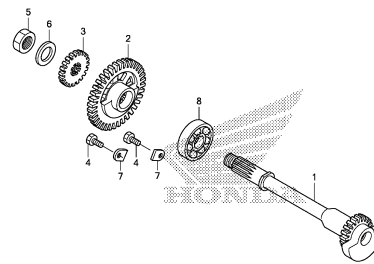


KSEEE1300

E-14

BALANCER

E 4

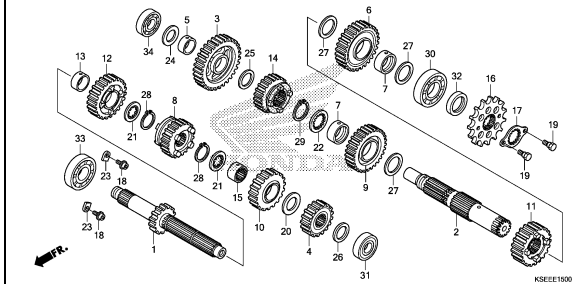


KSEEE1400

E-15

TRANSMISSION

E 5

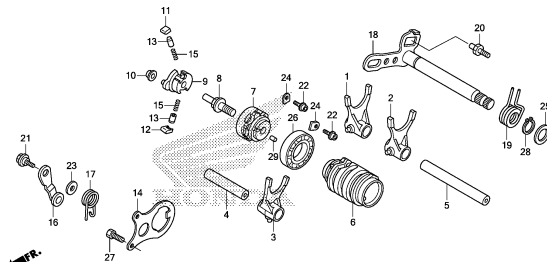


KSEEE1500

E-16

GEARSHIFT DRUM

E 7

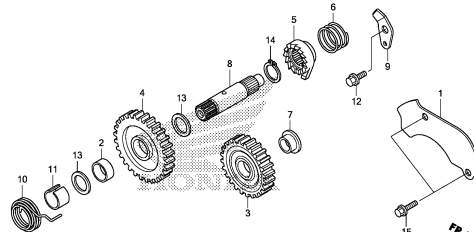


KSEEE1600

E-17

KICK STARTER SPINDLE

E 9

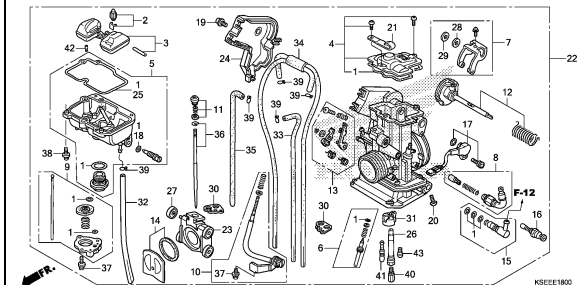


KSEEE1700

E-18

CARBURETOR

E10



KSEEE1800

2

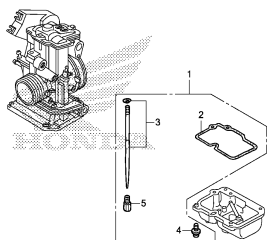
ENGINE GROUP

C 2

E-18-1

CARBURETOR O.P. KIT

E12

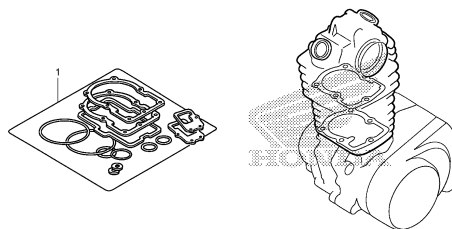


KSEEX1801

EOP-1

GASKET KIT A

E13

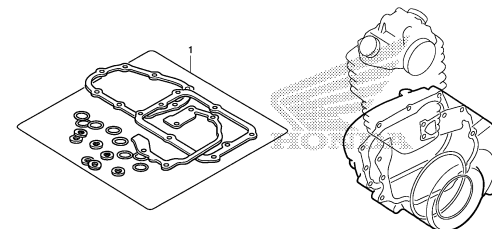


KSEEX0100

EOP-2

GASKET KIT B

E14



KSEEX0200

2

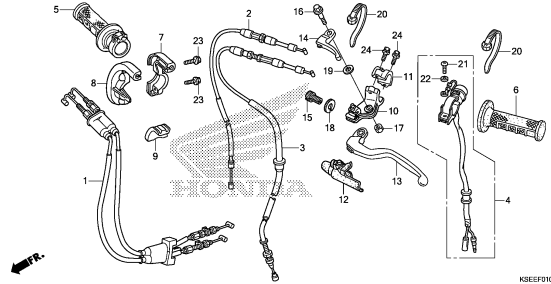
FRAME GROUP

C 3

F-1

HANDLE LEVER/SWITCH/CABLE

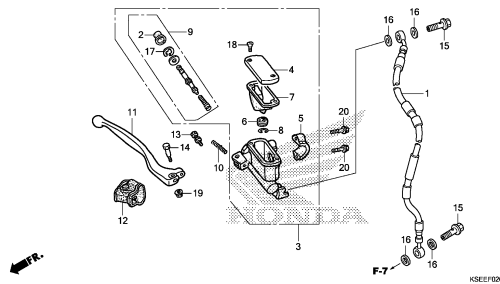
F 1



F-2

FR. BRAKE MASTER CYLINDER

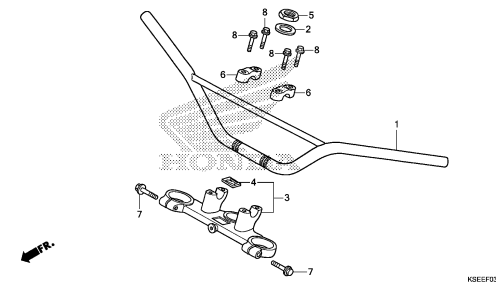
F 2



F-3

HANDLE PIPE/TOP BRIDGE

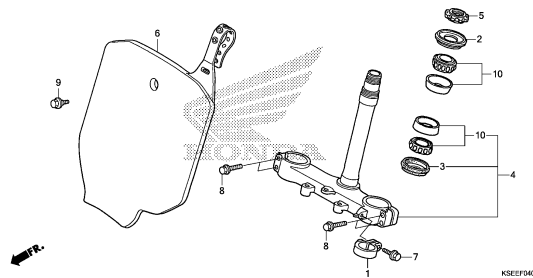
F 3



F-4

STEERING STEM

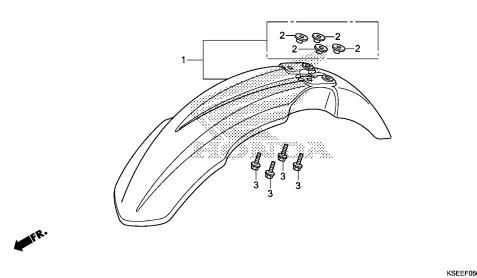
F 4



F-5

FRONT FENDER

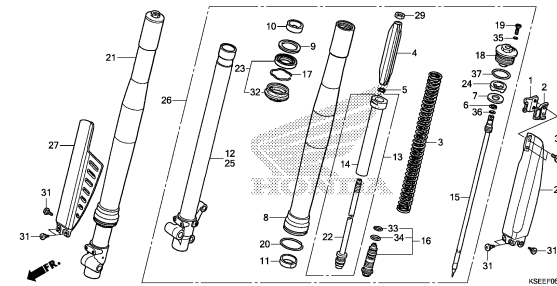
F 5



F-6

FRONT FORK

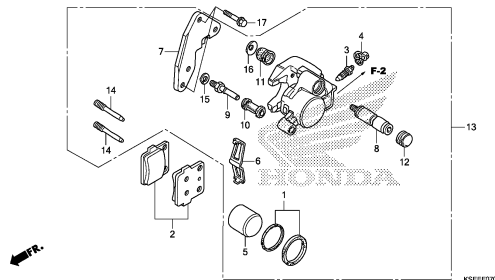
F 6



F-7

FRONT BRAKE CALIPER

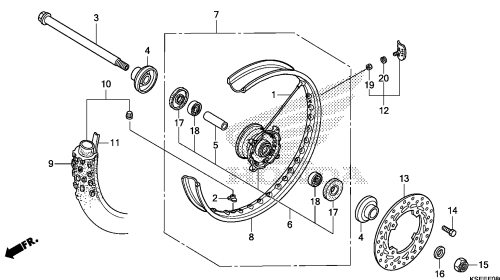
F 8



F-8

FRONT WHEEL

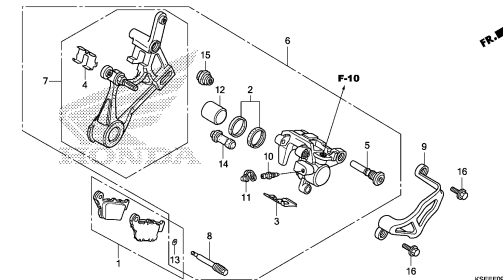
F 9



F-9

REAR BRAKE CALIPER

F 11



3

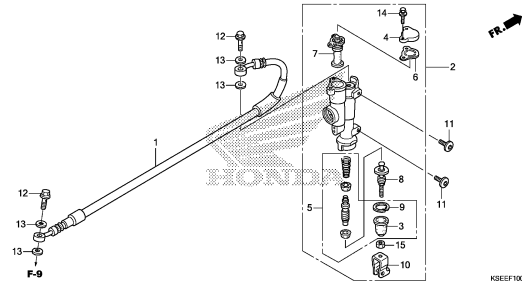
FRAME GROUP

C 4

F-10

RR. BRAKE MASTER CYLINDER

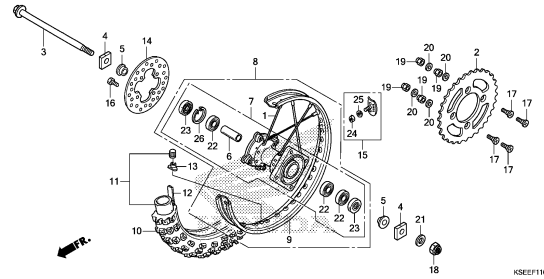
F12



F-11

REAR WHEEL

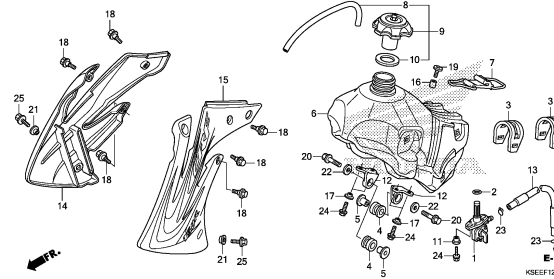
F13



F-12

FUEL TANK

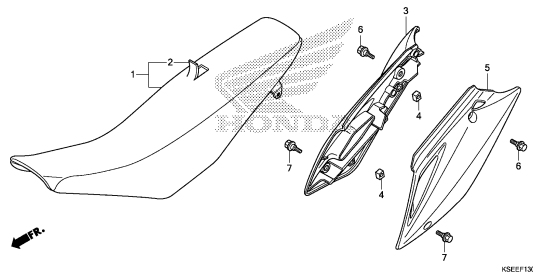
F15



F-13

SEAT/SIDE COVER

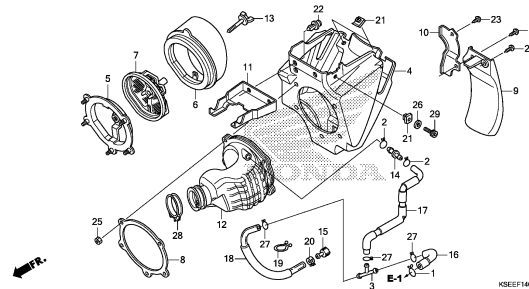
G 1



F-14

AIR CLEANER

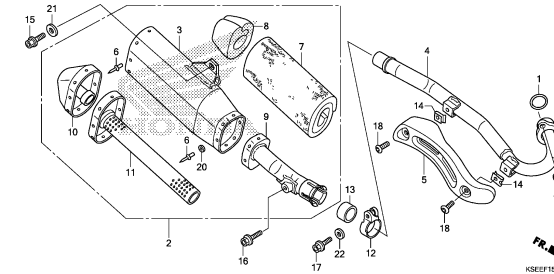
G 2



F-15

EXHAUST MUFFLER

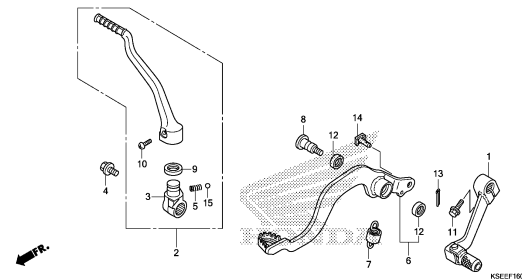
G 4



F-16

PEDAL/KICK STARTER ARM

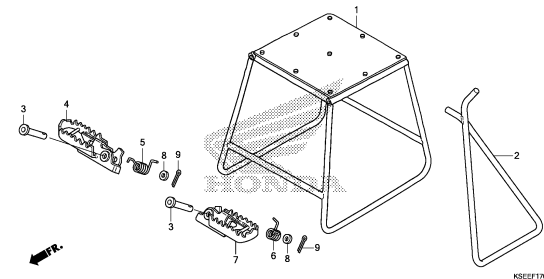
G 5



F-17

STAND/STEP

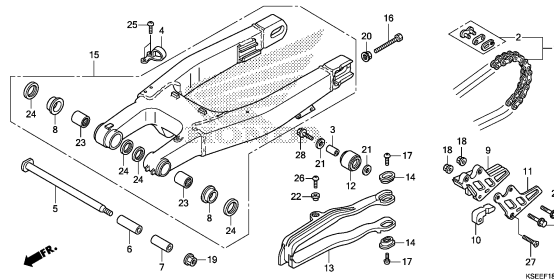
G 6



F-18

SWINGARM

G 7



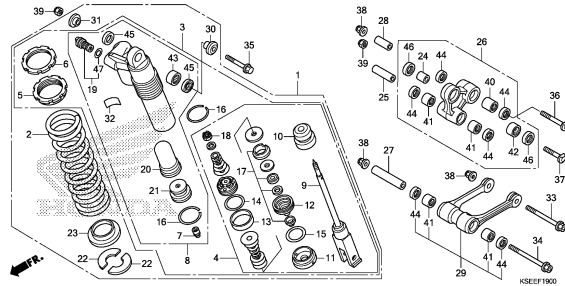
FRAME GROUP

C 5

F-19

REAR CUSHION

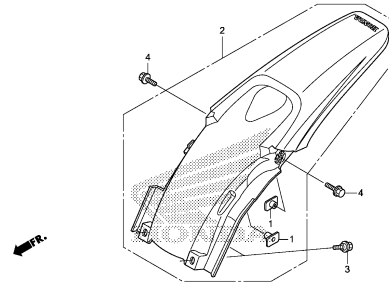
G 9



F-20

REAR FENDER

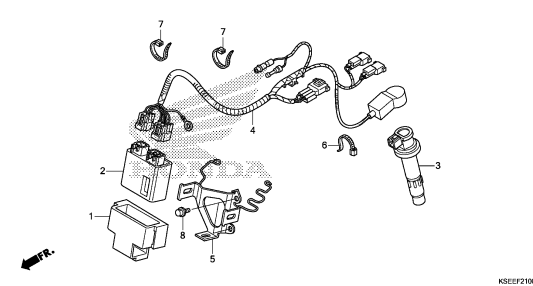
G12



F-21

WIRE HARNESS

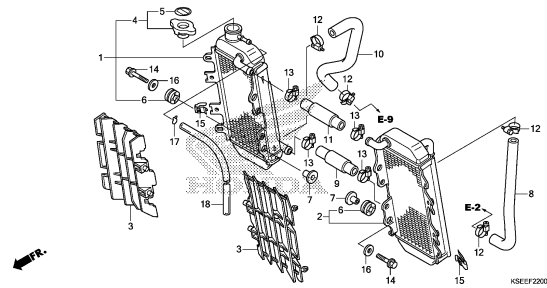
G13



F-22

RADIATOR

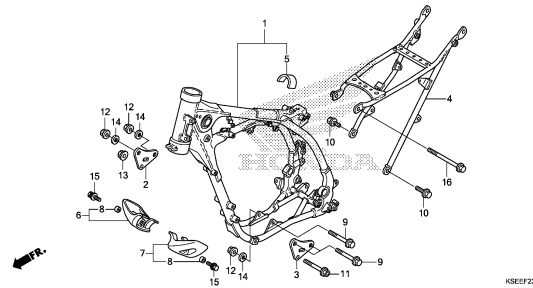
G14



F-23

FRAME BODY

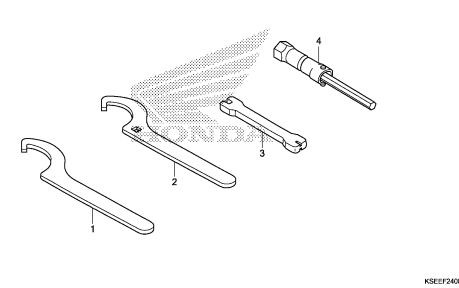
G15



F-24

TOOLS

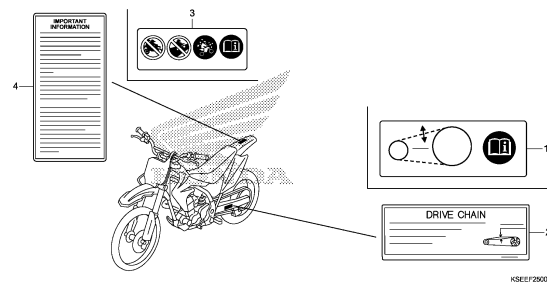
G16



F-25

CAUTION LABEL

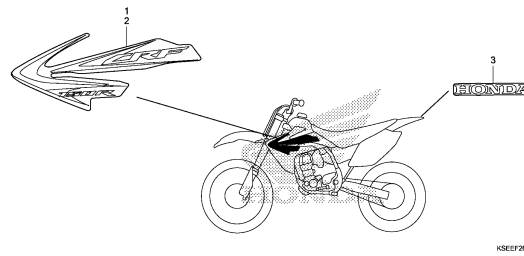
H 1



F-26

MARK

H 2

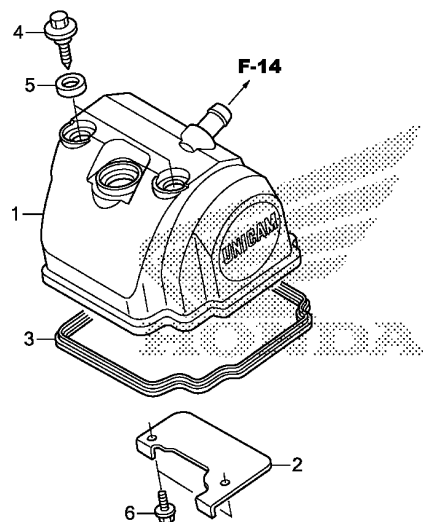


3

E-1

CYLINDER HEAD COVER

D 1



KSEEE0100

Ref. No.	L.O.N.	(Relative ref. Number) Description	F.R.T.
1		(2) COVER, CYLINDER HEAD	0.3
3		GASKET, CYLINDER HEAD COVER ..	0.3

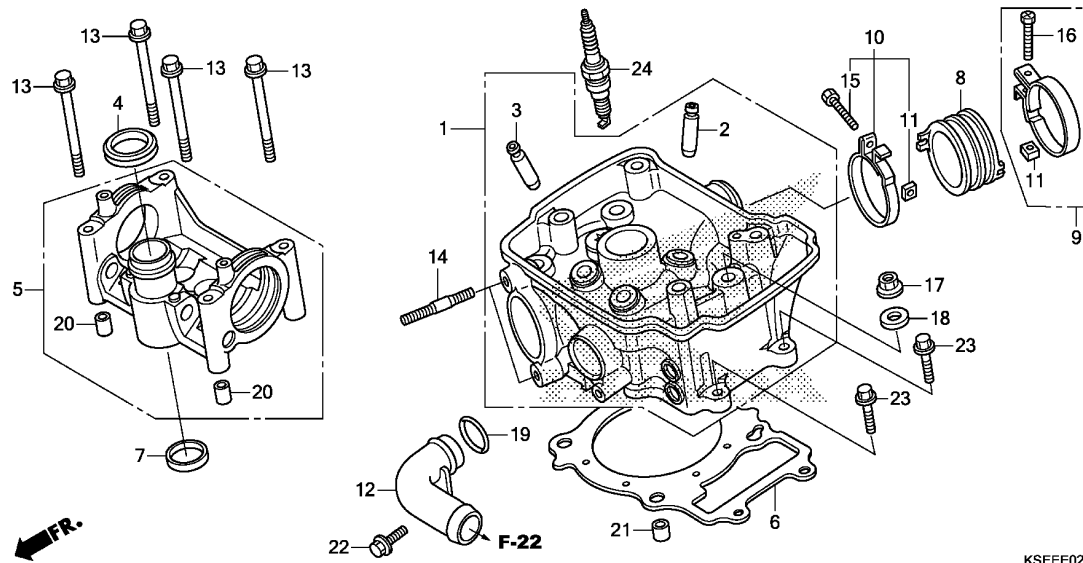
Ref. No.	Part No.	Description	Reqd. QTY		Serial No.	Parts catalogue code
			CRF150 RD	RBD		
1	12310-KSE-670	COVER COMP., CYLINDER HEAD ..	1	1		
2	12316-KSE-670	PLATE, BREATHER	1	1		
3	12391-KSE-670	GASKET, HEAD COVER	1	1		
4	90017-MY9-790	BOLT, HEAD COVER	2	2		
5	90543-MV9-670	RUBBER, MOUNTING	2	2		
6	96300-06012-00	BOLT, FLANGE, 6X12	2	2		

2

E-2

CYLINDER HEAD

D 2



Ref. No.	L.O.N.	(Relative ref. Number) Description	F.R.T.
1	111106	HEAD, CYLINDERINCLUDES: Valve adjust and reface	3.0
2	1111L9	GUIDE, INTAKE VALVE(ONE)INCLUDES: Reaming .INCLUDES: Valve adjust and reface	2.5
	1111L9A	.Replace all intake valve guide add	0.3
3	1111M0	GUIDE, EXHAUST VALVE(ONE)INCLUDES: Reaming .INCLUDES: Valve adjust and reface	2.5
	1111M0A	.Replace all exhaust valve guide add	0.3
	1111M9	GUIDE, VALVE :FOR 1 VEHICLE .. .INCLUDES: Reaming .INCLUDES: Valve adjust and reface	3.4
5	1111B4	HOLDER, CAMSHAFT	1.4
6	111115	GASKET, CYLINDER HEAD	1.6
8	311131	INSULATOR, THROTTLE BODY/ CARBURETOR	0.5
12	1141F4	(19) PIPE, WATER OUTLET :FRONT	0.4

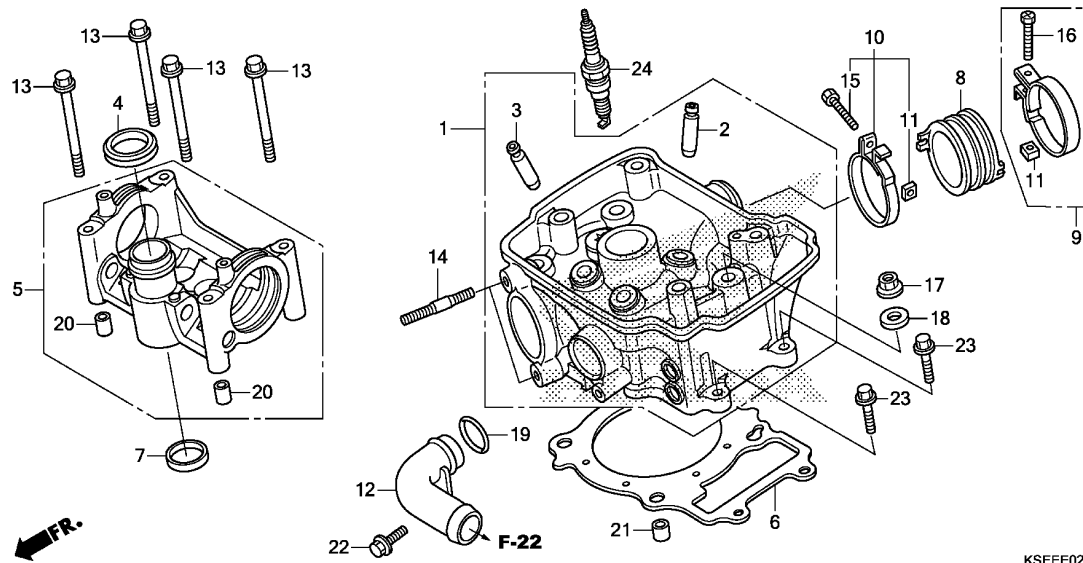
Ref. No.	Part No.	Description	Reqd. QTY		Serial No.	Parts catalogue code
			CRF150 RD	RBD		
1	12200-KSE-A70	HEAD COMP., CYLINDER	1	1		
2	12204-KSE-P00	GUIDE, IN. VALVE(O.S.)	2	2		
3	12205-KSE-P00	GUIDE, EX. VALVE(O.S.)	2	2		
4	12226-MEB-670	SEAL, RING	1	1		
5	12240-KSE-670	HOLDER COMP., CAMSHAFT	1	1		
6	12251-KSE-671	GASKET, CYLINDER HEAD	1	1		
7	12395-KSE-670	GASKET, PLUG HOLE	1	1		
8	16210-KSE-670	INSULATOR, CARBURETOR	1	1		
9	16216-MCZ-000	BAND A, INSULATOR	1	1		
10	16218-MCW-000	BAND B, INSULATOR	1	1		
11	16222-MV4-300	NUT, SQUARE, 5MM	2	2		
12	19523-KSE-670	PIPE, WATER	1	1		
13	90003-KSE-670	BOLT, FLANGE, 6X73	4	4		
14	90004-KCW-851	BOLT, STUD, 7X25	2	2		
15	90005-MM4-000	BOLT, RECESSED, 5X32	1	1		
16	90023-MM5-000	BOLT, RECESSED, 5X28	1	1		
17	90202-KGB-610	NUT, FLANGE, 8MM	4	4		
18	90501-MK4-600	WASHER, PLAIN, 8MM	4	4		
19	91302-028-000	O-RING, 15X2.5	1	1		
20	94301-08100	DOWEL PIN, 8X10	2	2		
21	94301-10160	DOWEL PIN, 10X16	2	2		
22	96001-06014-00	BOLT, FLANGE, 6X14	1	1		
23	96001-06022-00	BOLT, FLANGE, 6X22	2	2		
24	98059-58916	PLUG, SPARK(CR8EH9)(NGK)	1	1		
	98059-58926	PLUG, SPARK(U24FER9)(DENSO) ..	1	1		

2

E-2

CYLINDER HEAD

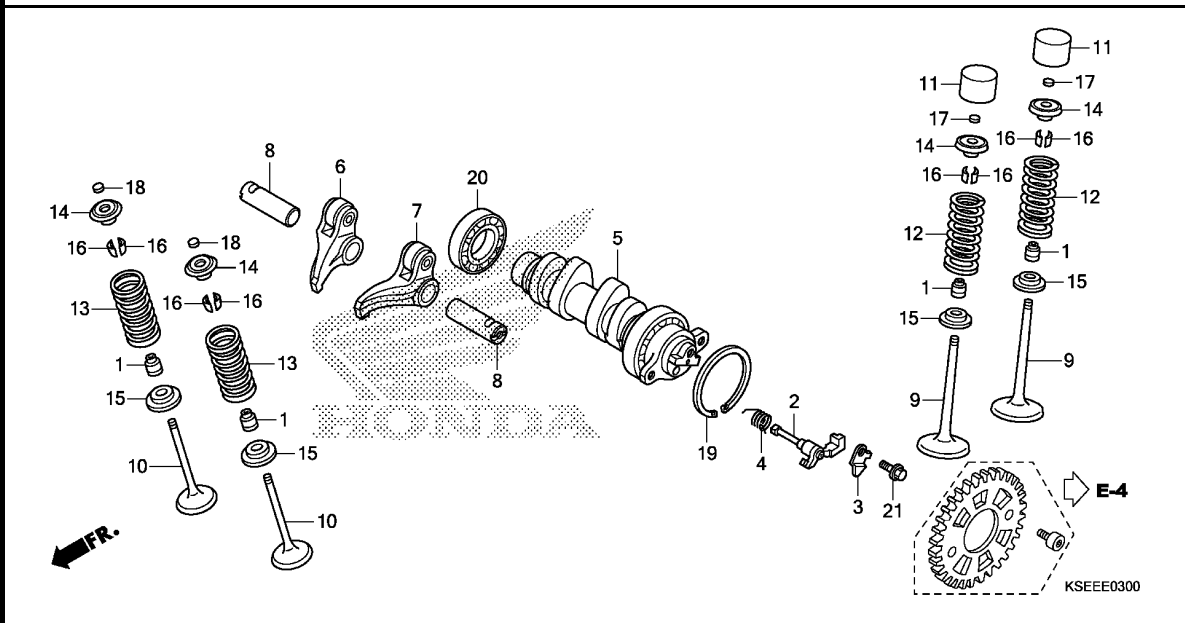
D 3



Ref. No.	L.O.N. (Relative ref. Number)	Description	F.R.T.
24	614130	PLUG, SPARK	0.1

Ref. No.	Part No.	Description	Reqd. QTY		Serial No.	Parts catalogue code
			CRF150	RBD		
24)	98059-59916	PLUG, SPARK(CR9EH-9)(NGK) ...	(1)	(1)		
	98059-59926	PLUG, SPARK(U27FER9)(DENSO) -	(1)	(1)		

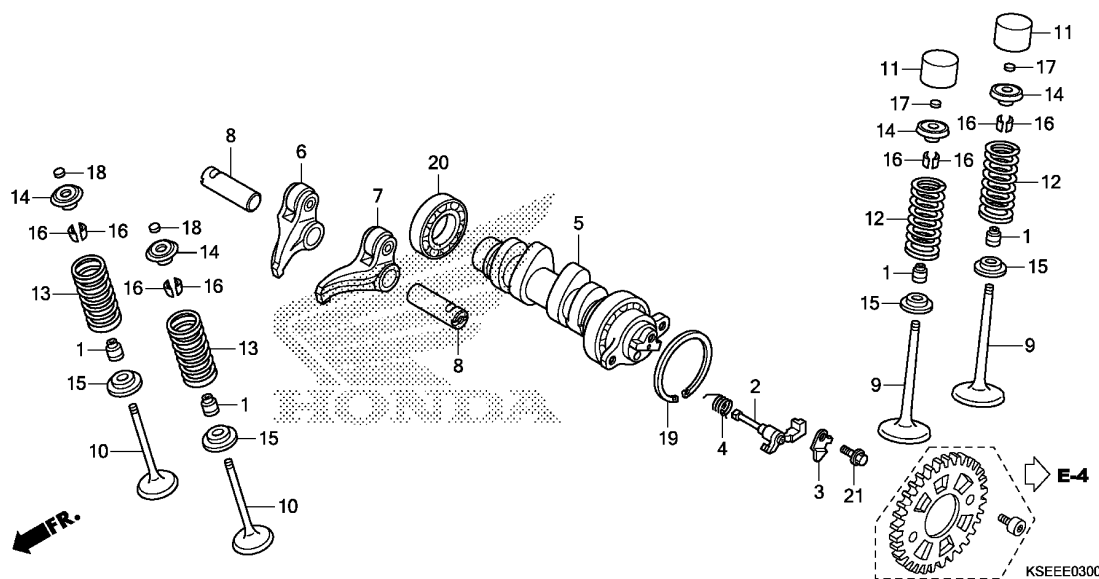
2



Ref. No.	L.O.N.	(Relative ref. Number) Description	F.R.T.
2		(4)	
1111T7		WEIGHT, DECOMPRESSION	0.4
5	111118	CAMSHAFT	1.4
		.INCLUDES: Valve adjustment (7,8)	
6	1111K9	ARM, EXHAUST VALVE ROCKER(ONE)	0.8
		.NOTE: Same time for two units	
		.INCLUDES: Valve adjustment	
9	1111N0	VALVE, INTAKE(ONE)	2.0
		.INCLUDES: Refacing	
1111NOA		.Replace all intake valve add	0.2
10	1111N1	VALVE, EXHAUST(ONE)	2.0
		.INCLUDES: Refacing	
1111N1A		.Replace all exhaust valve add	0.2
1111P0		VALVE :FOR 1 VEHICLE	2.6
		.INCLUDES: Refacing	
12	1111P2	INTAKE VALVE SPRING AND/OR STEM SEAL(ONE)	1.8
1111P2A		.Replace all intake spring add (1,14,15,16)	0.1
13	1111P3	EXHAUST VALVE SPRING AND/OR STEM SEAL(ONE)	1.8
1111P3A		.Replace all exhaust spring add	0.1
+			

Ref. No.	Part No.	Description	Reqd. QTY		Serial No.	Parts catalogue code
			CRF150 RD	RBD		
1	12208-ML0-721	SEAL, EX. VALVE STEM(ARAI) ..	4	4		
2	14102-KSE-670	WEIGHT, DECOMPRESSION	1	1		
3	14105-KSE-670	PLATE, WEIGHT SETTING	1	1		
4	14106-KSE-670	SPRING, DECOMPRESSION	1	1		
5	14110-KSE-A70	CAMSHAFT COMP.	1	1		
6	14410-KSE-670	ARM COMP., R. EX. ROCKER	1	1		
7	14420-KSE-670	ARM COMP., L. EX. ROCKER	1	1		
8	14451-KSE-670	SHAFT, EX. ROCKER ARM	2	2		
9	14711-KSE-670	VALVE, IN.	2	2		
10	14721-KSE-670	VALVE, EX.	2	2		
11	14731-KRN-670	LIFTER, VALVE	2	2		
12	14751-KSE-671	SPRING, IN. VALVE	2	2		
13	14761-KSE-670	SPRING, EX. VALVE	2	2		
14	14771-KSE-670	RETAINER, VALVE SPRING	4	4		
15	14775-KSE-670	SEAT, VALVE SPRING	4	4		
16	14781-ML0-720	COTTER, VALVE	8	8		
17	14901-KT7-013	SHIM, TAPPET(1.200)	2	2		
	14902-KT7-013	SHIM, TAPPET(1.225)	2	2		
	14903-KT7-013	SHIM, TAPPET(1.250)	2	2		
	14904-KT7-013	SHIM, TAPPET(1.275)	2	2		
	14905-KT7-013	SHIM, TAPPET(1.300)	2	2		
	14906-KT7-013	SHIM, TAPPET(1.325)	2	2		
	14907-KT7-013	SHIM, TAPPET(1.350)	2	2		
	14908-KT7-013	SHIM, TAPPET(1.375)	2	2		
	14909-KT7-013	SHIM, TAPPET(1.400)	2	2		
	14910-KT7-013	SHIM, TAPPET(1.425)	2	2		

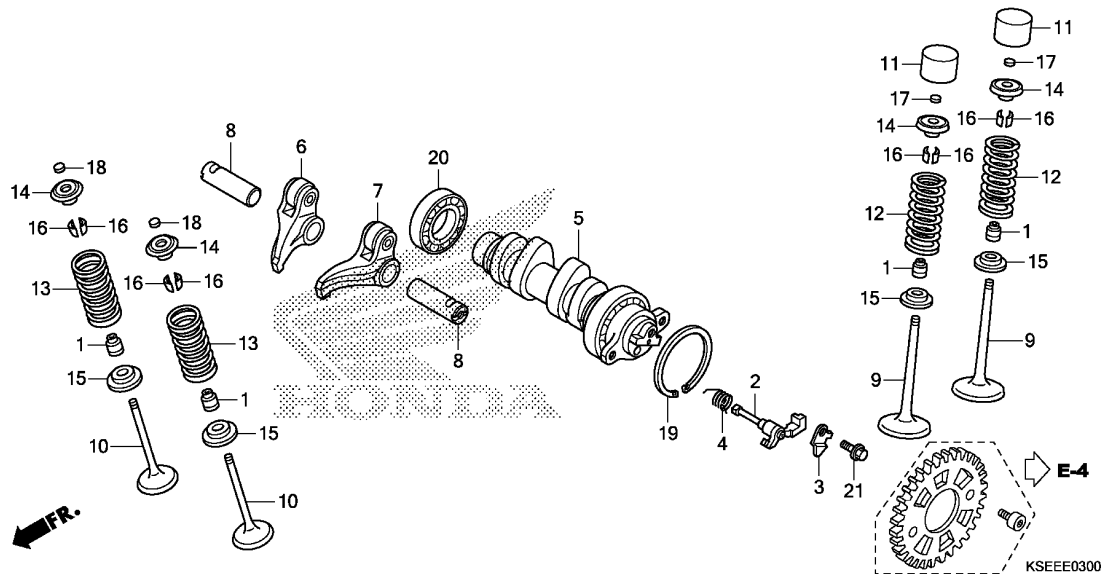




Ref. No.	L.O.N.	(Relative ref. Number) Description	F.R.T.
+13	1111Q2	VALVE SPRING AND/OR STEM SEAL :FOR 1 VEHICLE	2.1
20	1111Q5	BEARING, CAMSHAFT	1.4

Ref. No.	Part No.	Description	Reqd. QTY		Serial No.	Parts catalogue code
			CRF150 RD	RBD		
17)	14911-KT7-013	SHIM, TAPPET(1.450)	2	2		
	14912-KT7-013	SHIM, TAPPET(1.475)	2	2		
	14913-KT7-013	SHIM, TAPPET(1.500)	2	2		
	14914-KT7-013	SHIM, TAPPET(1.525)	2	2		
	14915-KT7-013	SHIM, TAPPET(1.550)	2	2		
	14916-KT7-013	SHIM, TAPPET(1.575)	2	2		
	14917-KT7-013	SHIM, TAPPET(1.600)	2	2		
	14918-KT7-013	SHIM, TAPPET(1.625)	2	2		
	14919-KT7-013	SHIM, TAPPET(1.650)	2	2		
	14920-KT7-013	SHIM, TAPPET(1.675)	2	2		
	14921-KT7-013	SHIM, TAPPET(1.700)	2	2		
	14922-KT7-013	SHIM, TAPPET(1.725)	2	2		
	14923-KT7-013	SHIM, TAPPET(1.750)	2	2		
	14924-KT7-013	SHIM, TAPPET(1.775)	2	2		
	14925-KT7-013	SHIM, TAPPET(1.800)	2	2		
	14926-KT7-013	SHIM, TAPPET(1.825)	2	2		
	14927-KT7-013	SHIM, TAPPET(1.850)	2	2		
	14928-KT7-013	SHIM, TAPPET(1.875)	2	2		
	14929-KT7-013	SHIM, TAPPET(1.900)	2	2		
	14930-KT7-013	SHIM, TAPPET(1.925)	2	2		
	14931-KT7-013	SHIM, TAPPET(1.950)	2	2		
	14932-KT7-013	SHIM, TAPPET(1.975)	2	2		
	14933-KT7-013	SHIM, TAPPET(2.000)	2	2		
	14934-KT7-013	SHIM, TAPPET(2.025)	2	2		
	14935-KT7-013	SHIM, TAPPET(2.050)	2	2		
	14936-KT7-013	SHIM, TAPPET(2.075)	2	2		
	14937-KT7-013	SHIM, TAPPET(2.100)	2	2		
	14938-KT7-013	SHIM, TAPPET(2.125)	2	2		
	14939-KT7-013	SHIM, TAPPET(2.150)	2	2		

Ref. No.	Part No.	Description	Reqd. QTY		Serial No.	Parts catalogue code
			CRF150 RD	RBD		
17)	14940-KT7-013	SHIM, TAPPET(2.175)	2	2		
	14941-KT7-013	SHIM, TAPPET(2.200)	2	2		
	14942-KT7-013	SHIM, TAPPET(2.225)	2	2		
	14943-KT7-013	SHIM, TAPPET(2.250)	2	2		
	14944-KT7-013	SHIM, TAPPET(2.275)	2	2		
	14945-KT7-013	SHIM, TAPPET(2.300)	2	2		
	14946-KT7-013	SHIM, TAPPET(2.325)	2	2		
	14947-KT7-013	SHIM, TAPPET(2.350)	2	2		
	14948-KT7-013	SHIM, TAPPET(2.375)	2	2		
	14949-KT7-013	SHIM, TAPPET(2.400)	2	2		
	14950-KT7-013	SHIM, TAPPET(2.425)	2	2		
	14951-KT7-013	SHIM, TAPPET(2.450)	2	2		
18	14901-KT7-013	SHIM, TAPPET(1.200)	2	2		
	14902-KT7-013	SHIM, TAPPET(1.225)	2	2		
	14903-KT7-013	SHIM, TAPPET(1.250)	2	2		
	14904-KT7-013	SHIM, TAPPET(1.275)	2	2		
	14905-KT7-013	SHIM, TAPPET(1.300)	2	2		
	14906-KT7-013	SHIM, TAPPET(1.325)	2	2		
	14907-KT7-013	SHIM, TAPPET(1.350)	2	2		
	14908-KT7-013	SHIM, TAPPET(1.375)	2	2		
	14909-KT7-013	SHIM, TAPPET(1.400)	2	2		
	14910-KT7-013	SHIM, TAPPET(1.425)	2	2		
	14911-KT7-013	SHIM, TAPPET(1.450)	2	2		
	14912-KT7-013	SHIM, TAPPET(1.475)	2	2		
	14913-KT7-013	SHIM, TAPPET(1.500)	2	2		
	14914-KT7-013	SHIM, TAPPET(1.525)	2	2		
	14915-KT7-013	SHIM, TAPPET(1.550)	2	2		
	14916-KT7-013	SHIM, TAPPET(1.575)	2	2		
	14917-KT7-013	SHIM, TAPPET(1.600)	2	2		
	14918-KT7-013	SHIM, TAPPET(1.625)	2	2		
	14919-KT7-013	SHIM, TAPPET(1.650)	2	2		
	14920-KT7-013	SHIM, TAPPET(1.675)	2	2		
	14921-KT7-013	SHIM, TAPPET(1.700)	2	2		
	14922-KT7-013	SHIM, TAPPET(1.725)	2	2		
	14923-KT7-013	SHIM, TAPPET(1.750)	2	2		
	14924-KT7-013	SHIM, TAPPET(1.775)	2	2		
	14925-KT7-013	SHIM, TAPPET(1.800)	2	2		
	14926-KT7-013	SHIM, TAPPET(1.825)	2	2		
	14927-KT7-013	SHIM, TAPPET(1.850)	2	2		
	14928-KT7-013	SHIM, TAPPET(1.875)	2	2		
	14929-KT7-013	SHIM, TAPPET(1.900)	2	2		
	14930-KT7-013	SHIM, TAPPET(1.925)	2	2		
	14931-KT7-013	SHIM, TAPPET(1.950)	2	2		
	14932-KT7-013	SHIM, TAPPET(1.975)	2	2		
	14933-KT7-013	SHIM, TAPPET(2.000)	2	2		
	14934-KT7-013	SHIM, TAPPET(2.025)	2	2		
	14935-KT7-013	SHIM, TAPPET(2.050)	2	2		
	14936-KT7-013	SHIM, TAPPET(2.075)	2	2		
	14937-KT7-013	SHIM, TAPPET(2.100)	2	2		
	14938-KT7-013	SHIM, TAPPET(2.125)	2	2		
	14939-KT7-013	SHIM, TAPPET(2.150)	2	2		
	14940-KT7-013	SHIM, TAPPET(2.175)	2	2		
	14941-KT7-013	SHIM, TAPPET(2.200)	2	2		
	14942-KT7-013	SHIM, TAPPET(2.225)	2	2		
	14943-KT7-013	SHIM, TAPPET(2.250)	2	2		
	14944-KT7-013	SHIM, TAPPET(2.275)	2	2		
	14945-KT7-013	SHIM, TAPPET(2.300)	2	2		
	14946-KT7-013	SHIM, TAPPET(2.325)	2	2		

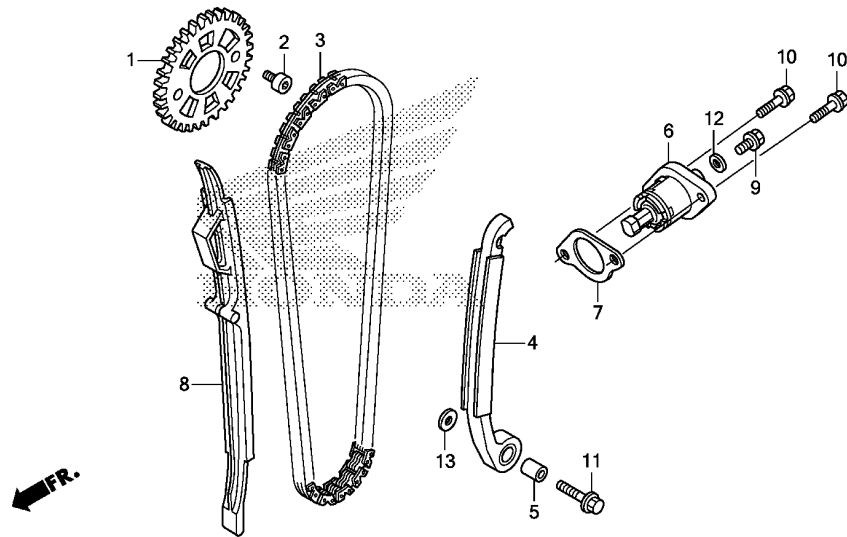


Ref. No.	Part No.	Description	Reqd. QTY		Serial No.	Parts catalogue code
			CRF150 RD	RBD		
18)	14947-KT7-013	SHIM, TAPPET(2.350)	2	2		
	14948-KT7-013	SHIM, TAPPET(2.375)	2	2		
	14949-KT7-013	SHIM, TAPPET(2.400)	2	2		
	14950-KT7-013	SHIM, TAPPET(2.425)	2	2		
	14951-KT7-013	SHIM, TAPPET(2.450)	2	2		
	14952-KT7-013	SHIM, TAPPET(2.475)	2	2		
	14953-KT7-013	SHIM, TAPPET(2.500)	2	2		
	14954-KT7-013	SHIM, TAPPET(2.525)	2	2		
	14955-KT7-013	SHIM, TAPPET(2.550)	2	2		
	14956-KT7-013	SHIM, TAPPET(2.575)	2	2		
	14957-KT7-013	SHIM, TAPPET(2.600)	2	2		
	14958-KT7-013	SHIM, TAPPET(2.625)	2	2		
	14959-KT7-013	SHIM, TAPPET(2.650)	2	2		
	14960-KT7-013	SHIM, TAPPET(2.675)	2	2		
	14961-KT7-013	SHIM, TAPPET(2.700)	2	2		
	14962-KT7-013	SHIM, TAPPET(2.725)	2	2		
	14963-KT7-013	SHIM, TAPPET(2.750)	2	2		
	14964-KT7-013	SHIM, TAPPET(2.775)	2	2		
	14965-KT7-013	SHIM, TAPPET(2.800)	2	2		
	14966-KT7-013	SHIM, TAPPET(2.825)	2	2		
	14967-KT7-013	SHIM, TAPPET(2.850)	2	2		
	14968-KT7-013	SHIM, TAPPET(2.875)	2	2		
	14969-KT7-013	SHIM, TAPPET(2.900)	2	2		
	19 90602-PX4-000	CIRCLIP B, INTERNAL, 47MM ...	1	1		
	20 91003-KF0-008	BEARING, RADIAL BALL, 6904 ..	1	1		
	21 96001-06012-00	BOLT, FLANGE, 6X12	1	1		

E-4

CAM CHAIN/TENSIONER

D 8



KSEEE0400

Ref. No.	L.O.N.	(Relative ref. Number) Description	F.R.T.
1	1111Q4	SPROCKET, CAM	0.6
3	110140	CHAIN, CAM	1.2
4	111130	TENSIONER, CAM CHAIN	1.2
6		(7)	
	111133	LIFTER, TENSIONER	0.2
8	111139	GUIDE, CAM CHAIN	1.6

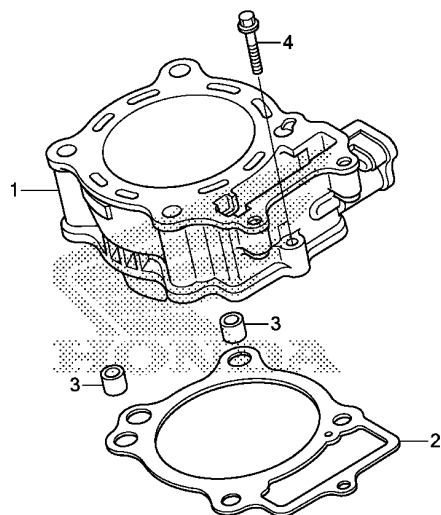
Ref. No.	Part No.	Description	Reqd. QTY		Serial No.	Parts catalogue code
			CRF150 RD	RBD		
1	14321-KSE-A70	SPROCKET, CAM(36T)	1	1		
2	14322-MAN-620	BOLT, SPECIAL KNOCK, 7X9.5 ..	2	2		
3	14401-KSE-A71	CHAIN, CAM(96L)(BORG WARNER)	1	1		
4	14510-KSE-670	TENSIONER COMP., CAM CHAIN ..	1	1		
5	14515-KF0-000	COLLAR, TENSIONER, 6X9	1	1		
6	14520-KRN-671	LIFTER ASSY., TENSIONER	1	1		
7	14560-MEN-671	GASKET, TENSIONER LIFTER	1	1		
8	14620-KSE-670	GUIDE, CAM CHAIN	1	1		
9	90004-GHB-600	BOLT, FLANGE, 6X10(NSHF)	1	1		
10	90004-GHB-630	BOLT, FLANGE, 6X16(NSHF)	2	2		
11	90088-MEB-670	BOLT, FLANGE, 6X25	1	1		
12	90442-397-000	WASHER, SEALING, 6MM	1	1		
13	90482-567-000	WASHER, SPECIAL, 6MM	1	1		

2

E-5

CYLINDER

D 9



KSEEE0500

Ref. No.	L.O.N.	(Relative ref. Number) Description	F.R.T.
1	1111A5	CYLINDER	2.0
2	111102	GASKET, CYLINDER	1.9

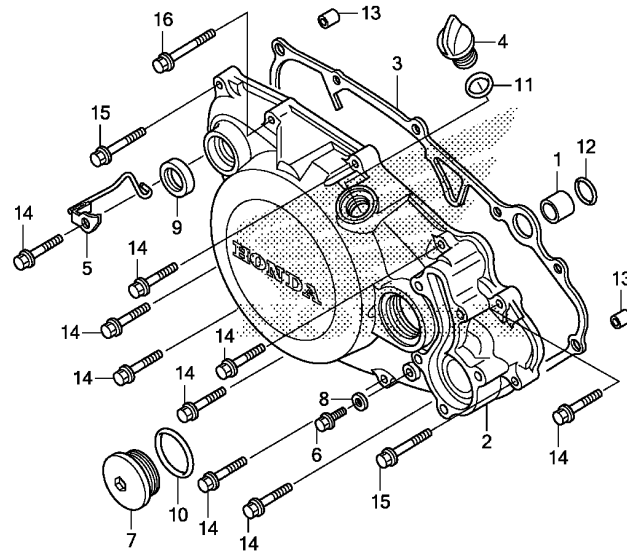
Ref. No.	Part No.	Description	Reqd. QTY		Serial No.	Parts catalogue code
			CRF150 RD	RBD		
1	12100-KSE-672	CYLINDER	1	1		
2	12191-KSE-671	GASKET, CYLINDER	1	1		
3	94301-12160	PIN A, DOWEL, 12X16	2	2		
4	96001-06028-00	BOLT, FLANGE, 6X28	1	1		

2

E-6

R. CRANKCASE COVER

D10

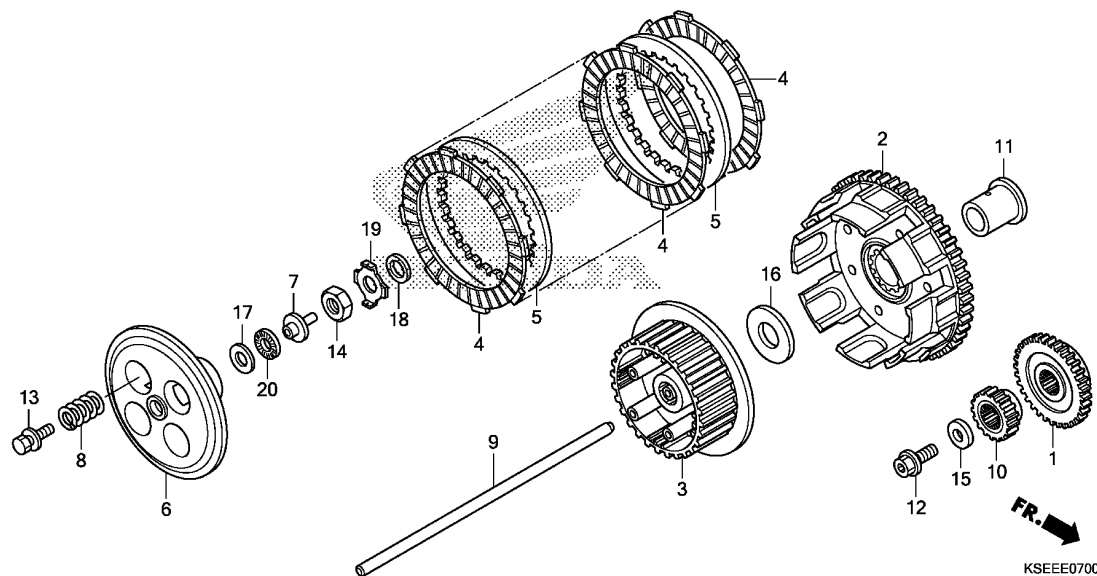


KSEEE0600

Ref. No.	L.O.N.	(Relative ref. Number) Description	F.R.T.
2	110159	COVER, CRANKCASE :RIGHT	1.1
3	110158	GASKET, CRANKCASE COVER :RIGHT	0.7
9	112105	OIL SEAL, KICK STARTER SPINDLE	0.7

Ref. No.	Part No.	Description	Reqd. QTY		Serial No.	Parts catalogue code
			CRF150 RD	RBD		
1	11102-KSE-670	COLLAR, WATER PASS, 14MM	1	1		
2	11331-KSE-670	COVER, R. CRANKCASE	1	1		
3	11394-KSE-671	GASKET, R. COVER	1	1		
4	15611-KA4-710	CAP, OIL FILLER	1	1		
5	16240-KSE-670	CLAMPER COMP., AIR VENT TUBE	1	1		
6	90004-GHB-620	BOLT, FLANGE, 6X14(NSHF)	1	1		
7	90087-MN1-670	CAP, 30MM	1	1		
8	90463-ML7-000	WASHER, SEALING, 6.5MM	1	1		
9	91204-KF0-003	OIL SEAL, 20X28X5	1	1		
10	91305-KF0-003	O-RING, 27X2(ARAI)	1	1		
11	91307-035-000	O-RING, 18X3	1	1		
12	91311-PH7-003	O-RING, 13.8X2.4(NOK)	1	1		
13	94301-08140	DOWEL PIN, 8X14	2	2		
14	96001-06028-00	BOLT, FLANGE, 6X28	9	9		
15	96001-06035-00	BOLT, FLANGE, 6X35	2	2		
16	96001-06040-00	BOLT, FLANGE, 6X40	1	1		

2



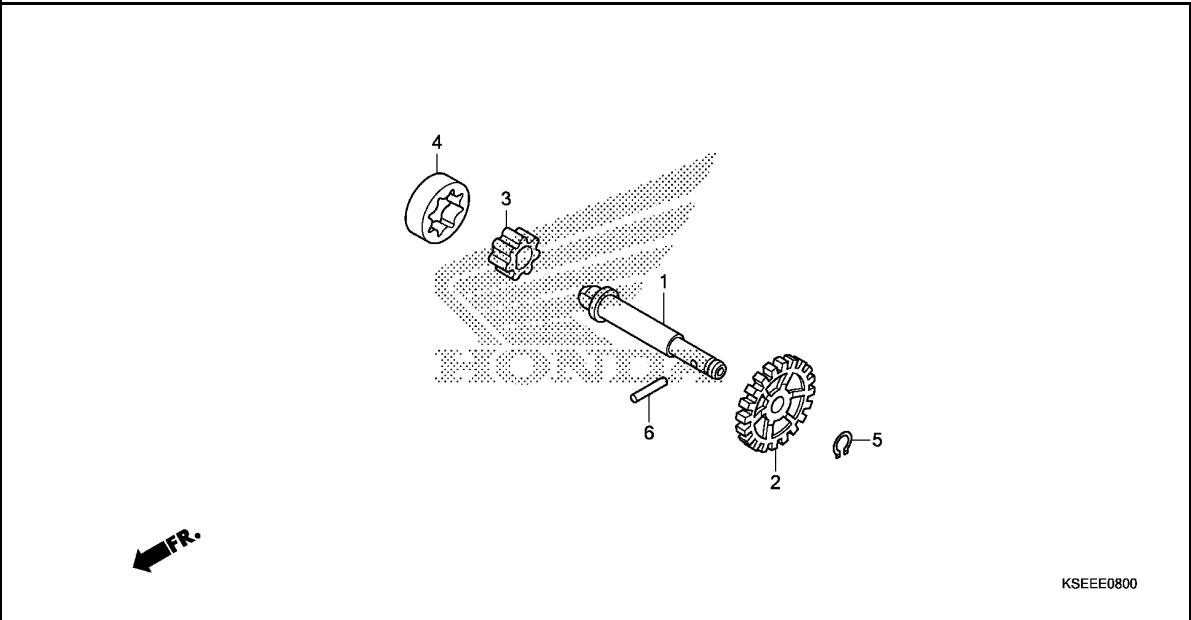
Ref. No.	L.O.N.	(Relative ref. Number) Description	F.R.T.
1	110183	GEAR, BALANCER DRIVE (11)	1.1
2	2121A0	OUTER, CLUTCH	1.1
3	212112	CENTER, CLUTCH (5)	1.1
4	2121A1	DISC, CLUTCH FRICTION .NOTE: Same time for two units or more	0.9
6	2121A3	PLATE, CLUTCH PRESSURE (17,20)	0.8
7	2121A5	PIECE, CLUTCH JOINT	0.8
8	212107	SPRING, CLUTCH .NOTE: Same time for two units or more	0.8
9	2121B6	ROD, CLUTCH LIFTER	0.8
10	211105	GEAR, PRIMARY DRIVE	1.1

Ref. No.	Part No.	Description	Reqd. QTY		Serial No.	Parts catalogue code
			CRF150 RD	RBD		
1	13415-KSE-670	GEAR, BALANCER DRIVE(32T) ...	1	1		
2	22100-KSE-A70	OUTER COMP., CLUTCH	1	1		
3	22120-KSE-670	CENTER, CLUTCH	1	1		
4	22201-GBF-B40	DISK, CLUTCH FRICTION	6	6		
5	22321-KSE-670	PLATE, CLUTCH	5	5		
6	22351-KSE-670	PLATE, CLUTCH PRESSURE	1	1		
7	22352-KSE-670	PIECE, CLUTCH LIFTER	1	1		
8	22401-KSE-670	SPRING, CLUTCH	4	4		
9	22851-KSE-670	ROD, CLUTCH LIFTER	1	1		
10	23121-KSE-670	GEAR, PRIMARY DRIVE(17T)	1	1		
11	28242-KSE-670	COLLAR, CLUTCH OUTER	1	1		
12	90013-KSE-670	BOLT, SPECIAL, 10X24	1	1		
13	90022-MBG-D00	BOLT-WASHER, 6X25	4	4		
14	90302-KSE-670	NUT, 14MM	1	1		
15	90402-KSE-670	WASHER, PLAIN, 10MM	1	1		
16	90407-KSE-670	WASHER, THRUST, 17MM	1	1		
17	90445-KSE-671	WASHER, THRUST, 10X24X1	1	1		
18	90451-KSE-670	WASHER, THRUST, 14MM	1	1		
19	90461-KSE-670	WASHER, LOCK	1	1		
20	91006-KSE-671	BEARING, NEEDLE, 12MM	1	1		

E-8

OIL PUMP

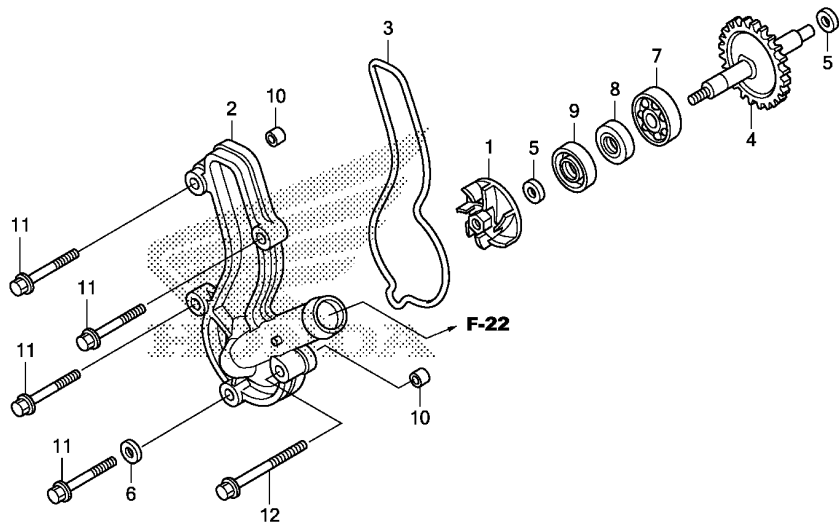
D12



Ref. No.	L.O.N.	(Relative ref. Number) Description	F.R.T.
2	1131C4	GEAR, OIL PUMP DRIVEN (1,4)	0.5
3	1131C7	ROTOR, OIL PUMPINCLUDES: Engine removal and installation	3.7

Ref. No.	Part No.	Description	Reqd. QTY		Serial No.	Parts catalogue code
			CRF150 RD	RBD		
1	15111-KSE-670	SHAFT, OIL PUMP	1	1		
2	15133-MEB-670	GEAR, OIL PUMP DRIVEN(20T) ..	1	1		
3	15331-324-000	ROTOR, OIL PUMP INNER	1	1		
4	15332-324-000	ROTOR, OIL PUMP OUTER	1	1		
5	90652-KY4-900	CIRCLIP, 8MM	1	1		
6	96220-30178	ROLLER, 3X17.8	1	1		

2



Ref. No.	L.O.N.	(Relative ref. Number) Description	F.R.T.
1	114105	IMPELLER, WATER PUMP	0.4
2	1141B0	COVER, WATER PUMP	0.3
3	1141B1	GASKET, WATER PUMP COVER	0.3
4	114142	SPROCKET OR GEAR, WATER PUMP DRIVEN	0.8
7	114144	BEARING, WATER PUMP	1.0
9		(8)	
	114110	MECHANICAL SEAL, WATER PUMP ..	1.1

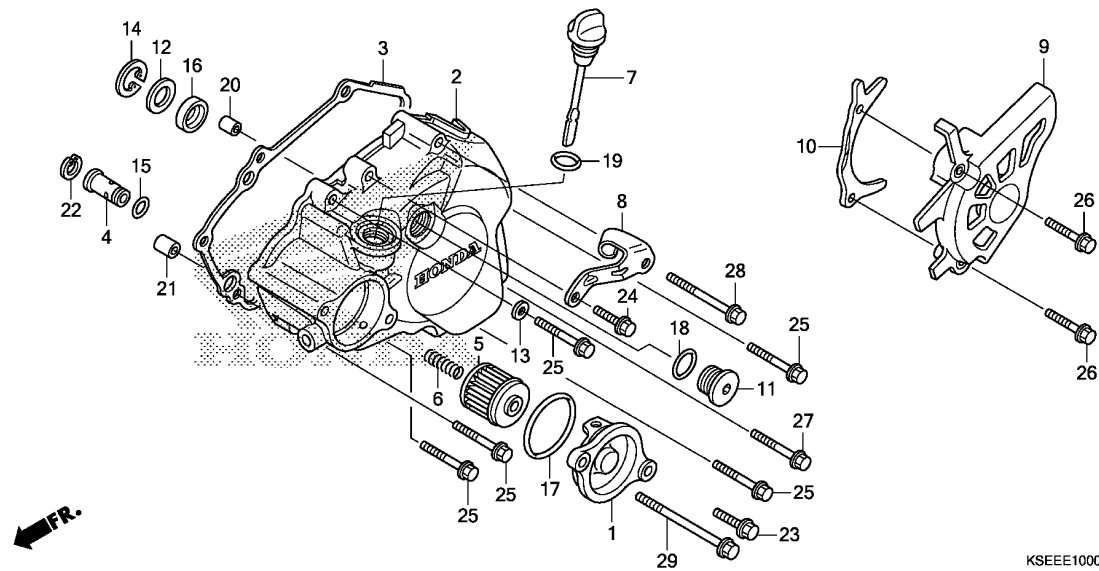
FR. →
KSEEE0900

Ref. No.	Part No.	Description	Reqd. QTY		Serial No.	Parts catalogue code
			CRF150 RD	RBD		
1	19215-KSE-670	IMPELLER, WATER PUMP	1	1		
2	19221-KSE-670	COVER, WATER PUMP	1	1		
3	19226-KSE-670	GASKET, WATER PUMP	1	1		
4	19240-KSE-670	GEAR COMP., WATER PUMP(24T) ..	1	1		
5	90447-KE1-000	WASHER, SEALING, 7MM	2	2		
6	90463-ML7-000	WASHER, SEALING, 6.5MM	1	1		
7	91001-KA4-003	BEARING, RADIAL BALL, 12X28X7 (NTN)	1	1		
8	91201-148-003	OIL SEAL, 12X22X5 (ARAI)	1	1		
9	91211-KSE-671	SEAL, WATER PUMP	1	1		
10	91320-KE1-000	DOWEL PIN, 8X7	2	2		
11	96001-06028-00	BOLT, FLANGE, 6X28	4	4		
12	96001-06035-00	BOLT, FLANGE, 6X35	1	1		

E-10

L. CRANKCASE COVER

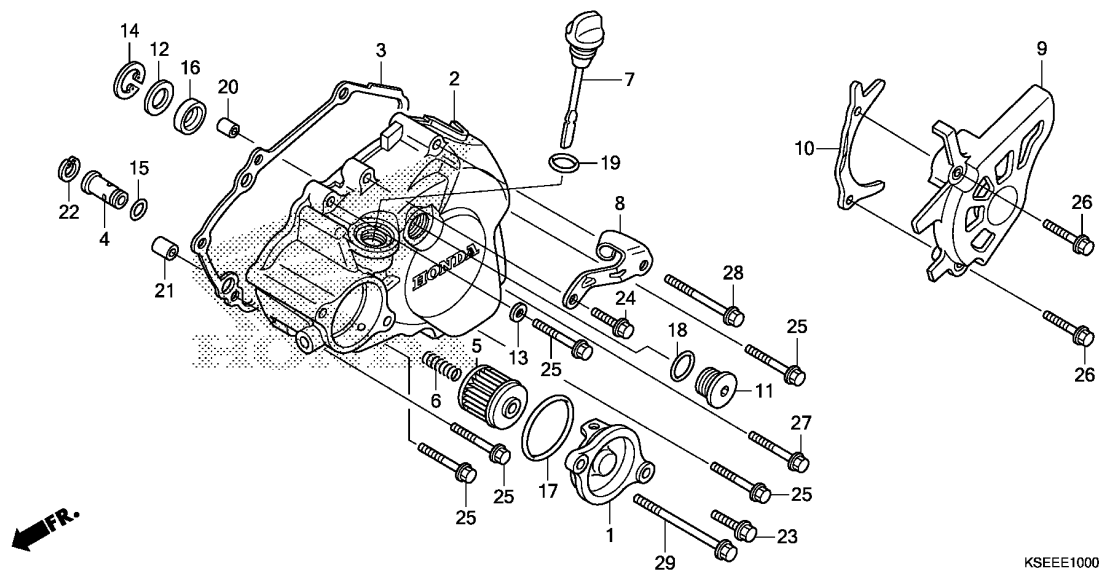
D14



Ref. No.	L.O.N.	(Relative ref. Number) Description	F.R.T.
2		(16)	
1101A6		COVER, CRANKCASE :LEFT	0.6
3		GASKET, CRANKCASE COVER :LEFT	0.5
4		(15)	
113126		VALVE, RELIEF	0.6
5		(1,6,17)	
113127		ELEMENT, OIL FILTER	0.2
9		(10)	
2131A4		COVER, DRIVE SPROCKET	0.1

Ref. No.	Part No.	Description	Reqd. QTY		Serial No.	Parts catalogue code
			CRF150	RBD		
1	11333-KSE-670	COVER, OIL FILTER	1	1		
2	11340-KSE-671	COVER COMP., L. CRANKCASE ...	1	1		
3	11395-KSE-671	GASKET, L. COVER	1	1		
4	15220-MEB-670	VALVE ASSY., RELIEF	1	1		
5	15412-MEN-671	FILTER COMP., ENGINE OIL	1	1		
6	15414-MEB-670	SPRING, OIL FILTER	1	1		
7	15650-KSE-670	GAUGE, OIL LEVEL	1	1		
8	22838-KSE-670	RECEIVER, CLUTCH CABLE	1	1		
9	23810-KSE-670	COVER COMP., DRIVE SPROCKET ..	1	1		
10	23812-KSE-670	GUIDE, DRIVE CHAIN	1	1		
11	90084-HB3-000	CAP, 14MM	1	1		
12	90401-MEY-670	WASHER, 13X24X1.6	1	1		
13	90463-ML7-000	WASHER, SEALING, 6.5MM	1	1		
14	90602-MEB-670	CIRCLIP, SPECIAL INTERNAL, 24MM	1	1		
15	90751-GK1-003	O-RING, 8.5X1.7	1	1		
16	91204-HP1-601	OIL SEAL, 10X21X5	1	1		
17	91302-PA9-003	O-RING, 39.8X2.2(ARAI)	1	1		
18	91303-377-000	O-RING, 13.8X2.5	1	1		
19	91307-035-000	O-RING, 18X3	1	1		
20	94301-08140	DOWEL PIN, 8X14	1	1		
21	94301-10160	DOWEL PIN, 10X16	1	1		
22	94520-14000	CIRCLIP, INTERNAL, 14MM	1	1		
23	96001-06016-00	BOLT, FLANGE, 6X16	1	1		
24	96001-06018-00	BOLT, FLANGE, 6X18	1	1		

2



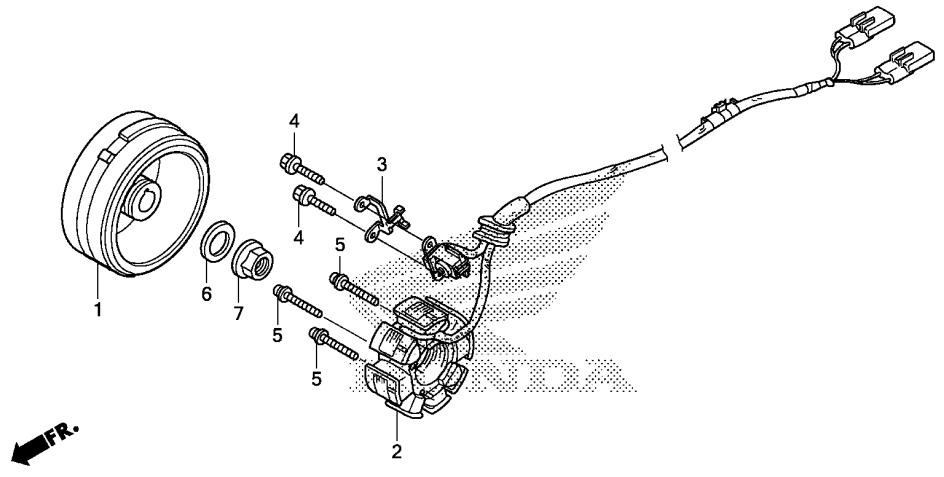
KSEEE1000

Ref. No.	Part No.	Description	Reqd. QTY		Serial No.	Parts catalogue code
			CRF150 RD	RBD		
25	96001-06028-00	BOLT, FLANGE, 6X28	5	5		
26	96001-06030-00	BOLT, FLANGE, 6X30	2	2		
27	96001-06035-00	BOLT, FLANGE, 6X35	1	1		
28	96001-06045-00	BOLT, FLANGE, 6X45	1	1		
29	96001-06075-00	BOLT, FLANGE, 6X75	1	1		

E-11

GENERATOR

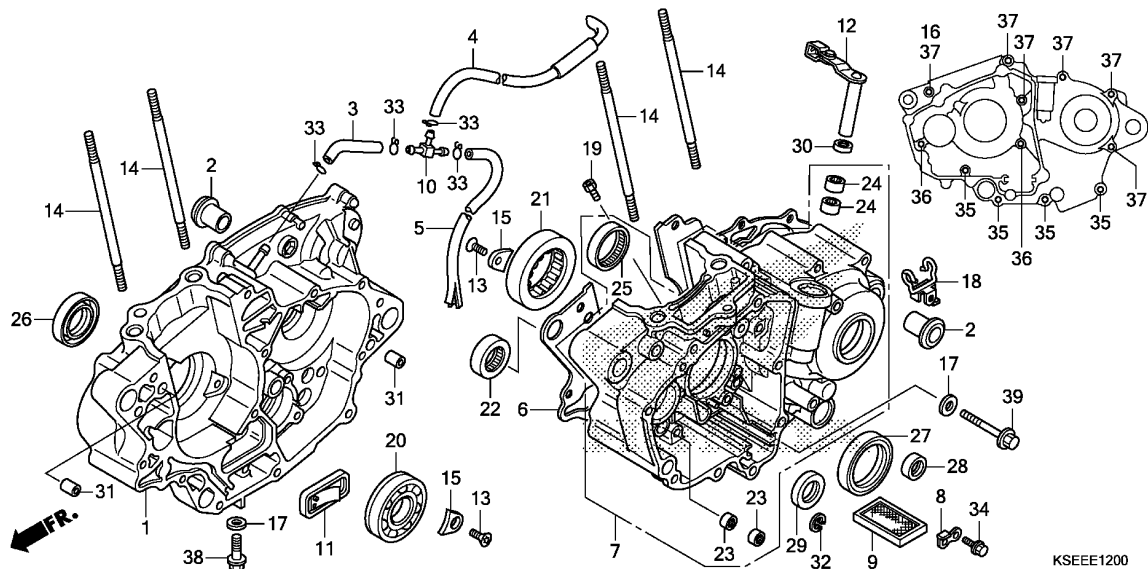
D16



Ref. No.	L.O.N.	(Relative ref. Number) Description	F.R.T.
1	613105	ROTOR OR FLYWHEEL	0.7
2	6131A3	STATOR	0.8

Ref. No.	Part No.	Description	Reqd. QTY		Serial No.	Parts catalogue code
			CRF150 RD	RBD		
1	31110-KSE-671	FLYWHEEL COMP.	1	1		
2	31120-KSE-A71	STATOR COMP.	1	1		
3	32112-KSE-670	CLAMPER, CORD	1	1		
4	90005-896-000	BOLT, FLANGE, 5X16	2	2		
5	90010-MEB-670	SCREW-WASHER, 4X24	3	3		
6	90437-611-000	WASHER, PLAIN, 12MM	1	1		
7	94050-12000	NUT, FLANGE, 12MM	1	1		

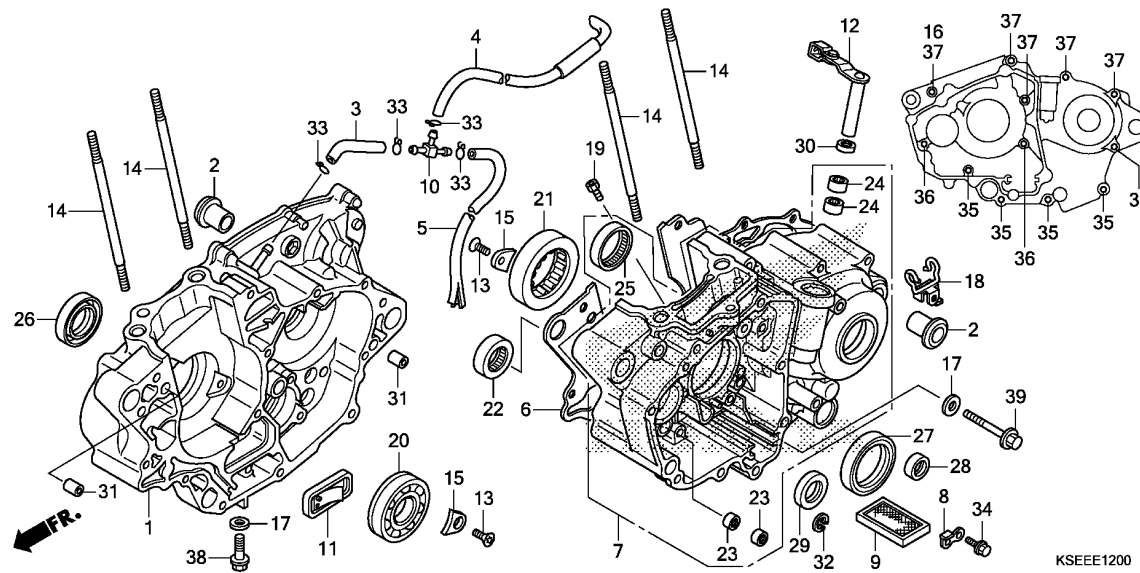
2



Ref. No.	L.O.N.	(Relative ref. Number) Description	F.R.T.
1	110120	CRANKCASE :RIGHTINCLUDES: Engine removal and installation	4.3
6	110110	GASKET, CRANKCASEINCLUDES: Engine removal and installation	3.6
7	110115	CRANKCASE :LEFTINCLUDES: Engine removal and installation	4.4
	1101A2	CRANKCASE :BOTHINCLUDES: Engine removal and installation	4.9
9	1131B5	SCREEN, OIL FILTER ONE WAY VALVE, CRANKCASE	0.5
11	1101L3	ONE WAY VALVE, CRANKCASEINCLUDES: Engine removal and installation	3.6
12	2121A7	LEVER, CLUTCH	0.9
20	1101B7	BEARING, CRANKSHAFT :RIGHTINCLUDES: Engine removal and installation	3.8
21	1101B6	BEARING, CRANKSHAFT :LEFTINCLUDES: Engine removal and installation	3.8
+	1101G0	BEARING, CRANKSHAFT :BOTH	4.0

Ref. No.	Part No.	Description	Reqd. QTY		Serial No.	Parts catalogue code
			CRF150 RD	RBD		
1	11100-KSE-670	CRANKCASE COMP., R.	1	1		
2	11104-KSE-670	COLLAR, ENGINE HANGER	2	2		
3	11105-KSE-670	TUBE A, BREATHER	1	1		
4	11106-KSE-670	TUBE B, BREATHER	1	1		
5	11107-KSE-670	TUBE C, BREATHER	1	1		
6	11191-KSE-671	GASKET, CRANKCASE	1	1		
7	11200-KSE-A70	CRANKCASE COMP., L.	1	1		
8	11206-KRN-670	PLATE, CAM CHAIN GUIDE	1	1		
9	15421-KK0-000	SCREEN, OIL FILTER	1	1		
10	16961-MCT-010	JOINT, THREE WAY	1	1		
11	18601-MBW-003	VALVE COMP., REED	1	1		
12	22810-KSE-670	LEVER COMP., CLUTCH LIFTER ..	1	1		
13	90001-MEN-850	SCREW, SPECIAL FLAT, 6X17 ...	4	4		
14	90031-KSE-600	BOLT, STUD, 9X116	4	4		
15	90441-KRN-670	PLATE, BEARING HOLDER	4	4		
16	90463-ML7-000	WASHER, SEALING, 6.5MM	1	1		
17	90474-333-000	WASHER, SEALING, 8MM	2	2		
18	90610-MEB-670	GUIDE COMP., TUBE	1	1		
19	90901-MCF-000	JET, OIL, #80	1	1		
20	91001-KSE-671	BEARING, SPECIAL RADIAL BALL, 63/22(NTN)	1	1		
21	91002-KSE-671	BEARING, SPECIAL ROLLER(NTN)	1	1		
22	91004-KSE-671	BEARING, ROLLER, 18X29X14(NTN)	1	1		
23	91006-HA0-003	BEARING, NEEDLE, 9MM(NTN) ...	2	2		
24	91021-148-004	BEARING, NEEDLE, 1010(NTN) ..	2	2		

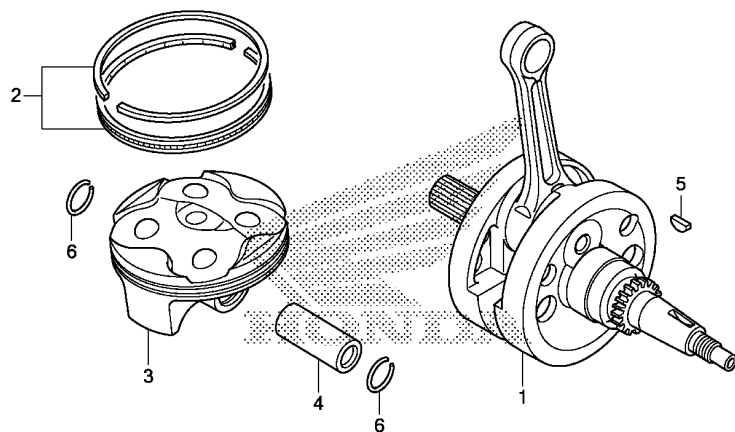
KSEEE1200



Ref. No.	L.O.N.	(Relative ref. Number) Description	F.R.T.
+21		.INCLUDES: Engine removal and installation	
22	1101G3	BEARING, BALANCER SHAFT :LEFT .INCLUDES: Engine removal and installation	3.8
	1101G5	BEARING, BALANCER SHAFT :BOTH .INCLUDES: Engine removal and installation	4.0
26	110132	OIL SEAL, CRANKSHAFT :RIGHT .. .INCLUDES: Engine removal and installation	3.7
27	110131	OIL SEAL, CRANKSHAFT :LEFTINCLUDES: Engine removal and installation	3.7
	1101H3	OIL SEAL, CRANKSHAFT :BOTHINCLUDES: Engine removal and installation	3.8
28	1101F9	OIL SEAL, GEARSHIFT SPINDLE ..	1.3

Ref. No.	Part No.	Description	Reqd. QTY		Serial No.	Parts catalogue code
			CRF150 RD	RBD		
25	91022-KA4-740	BEARING, SHELL, 33X38X8(NTN)	1	1		
26	91201-KSE-671	OIL SEAL, 32X48X7.5(ARAI) ...	1	1		
27	91201-MEB-671	OIL SEAL, 38X52X7(ARAI)	1	1		
28	91203-KA4-771	OIL SEAL, 14X22X5(NOK)	1	1		
29	91203-KSE-671	OIL SEAL, 18X30X5(ARAI)	1	1		
30	91204-KSE-671	OIL SEAL, 10X17X3(NOK)	1	1		
31	94301-08140	DOWEL PIN, 8X14	2	2		
32	94520-30100	CIRCLIP, INTERNAL, 30MM	1	1		
33	95002-02100	CLIP, TUBE(B10)	4	4		
34	96001-06012-00	BOLT, FLANGE, 6X12	1	1		
35	96001-06045-00	BOLT, FLANGE, 6X45	4	4		
36	96001-06055-00	BOLT, FLANGE, 6X55	2	2		
37	96001-06070-00	BOLT, FLANGE, 6X70	6	6		
38	96300-08035-00	BOLT, FLANGE, 8X35	1	1		
39	96300-08080-00	BOLT, FLANGE, 8X80	1	1		





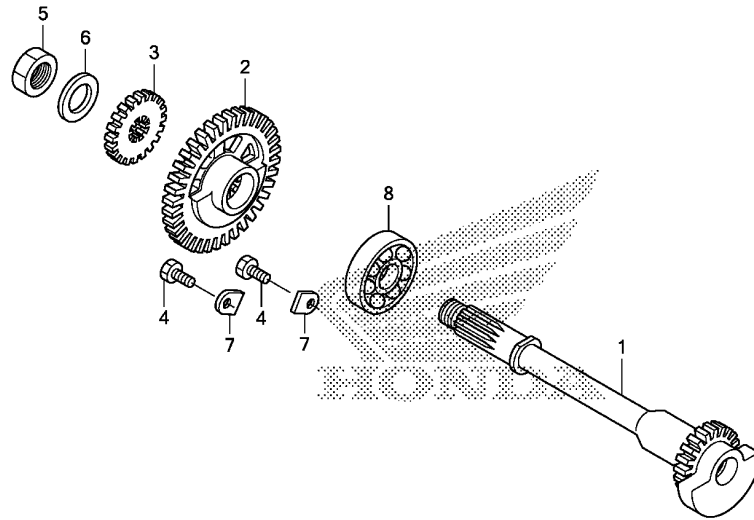
KSEEE1300

Ref. No.	L.O.N.	(Relative ref. Number) Description	F.R.T.
1	1101B5	CRANKSHAFT -INCLUDES: Engine removal and installation (2,4,6)	3.8
3	111103	PISTON RING AND/OR PISTON(ONE)	2.1

Ref. No.	Part No.	Description	Reqd. QTY		Serial No.	Parts catalogue code
			CRF150 RD	RBD		
1	13000-KSE-670	CRANKSHAFT COMP.	1	1		
2	13011-KSE-670	RING SET, PISTON(STD.)	1	1		
3	13101-KSE-A70	PISTON(STD.)	1	1		
4	13111-KSE-670	PIN, PISTON	1	1		
5	13331-360-000	KEY, SPECIAL WOODRUFF, 25X14	1	1		
6	94601-14000	CLIP, PISTON PIN, 14MM	2	2		

E-14

BALANCER

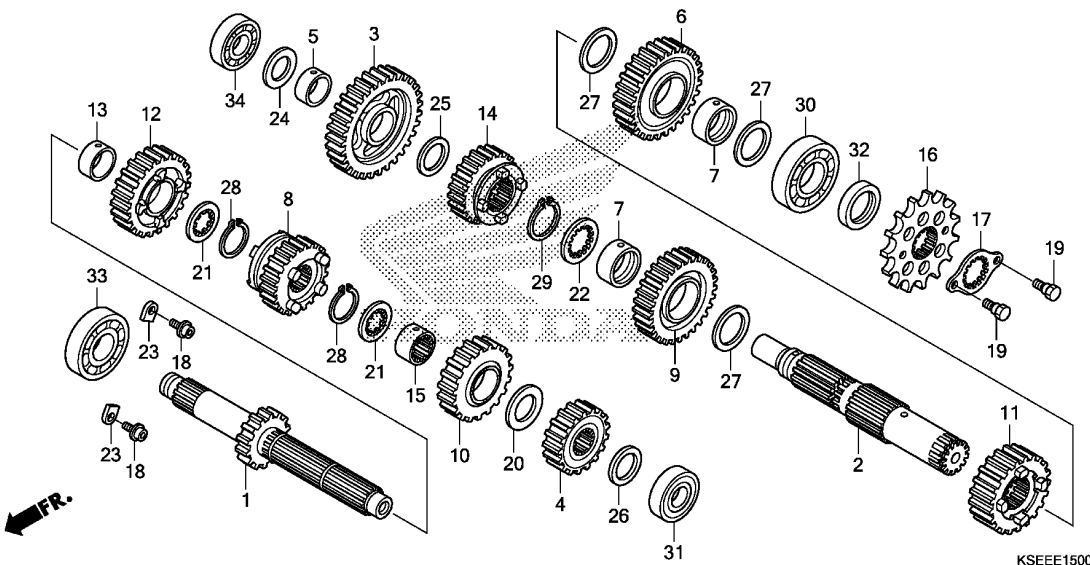


KSEEE1400

Ref. No.	L.O.N.	(Relative ref. Number) Description	F.R.T.
1	110185	SHAFT, BALANCER	1.2
2	1101L5	GEAR, BALANCER DRIVEN	0.8
3	1101F8	GEAR, WATER PUMP DRIVE	0.8
8	1101G4	BEARING, BALANCER SHAFT :RIGHT .INCLUDES: Engine removal and installation	3.8
	1101G5	BEARING, BALANCER SHAFT :BOTH .INCLUDES: Engine removal and installation	4.0

Ref. No.	Part No.	Description	Reqd. QTY		Serial No.	Parts catalogue code
			CRF150 RD	RBD		
1	13420-KSE-670	SHAFT COMP., BALANCER(16T) ..	1	1		
2	13422-KSE-670	GEAR, BALANCER DRIVEN(32T) ..	1	1		
3	19245-KSE-670	GEAR, WATER PUMP DRIVEN(18T)	1	1		
4	90038-KY4-900	BOLT, HEX., 6X16	2	2		
5	90301-KSE-670	NUT, HEX., 12MM	1	1		
6	90401-KY0-890	WASHER, 12X24	1	1		
7	90441-KRM-840	PLATE, BEARING HOLDER	2	2		
8	91005-KSE-671	BEARING, SPECIAL RADIAL BALL, 6002	1	1		

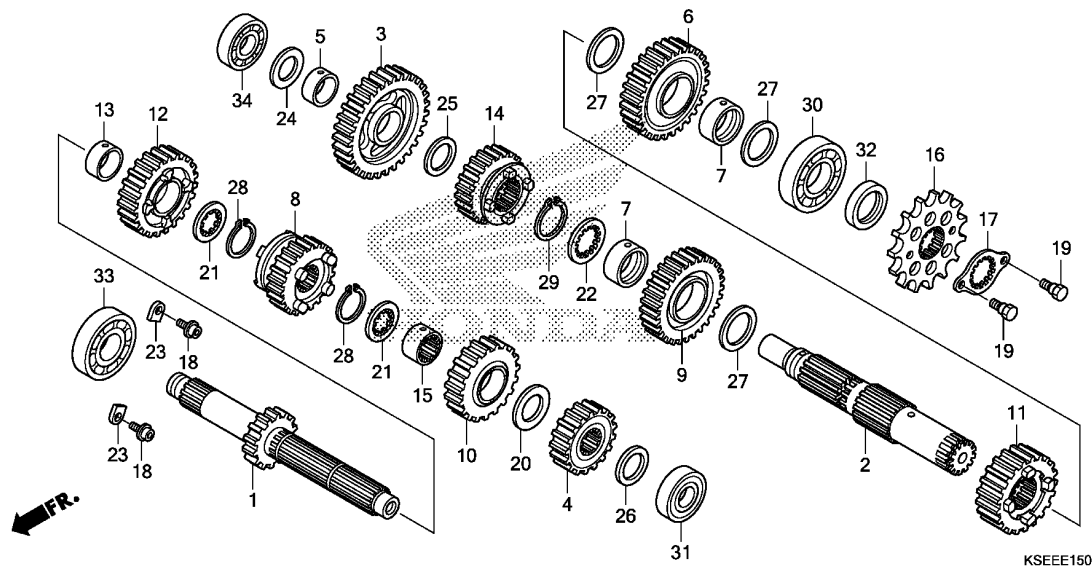




Ref. No.	L.O.N.	(Relative ref. Number) Description	F.R.T.
1		(4,8,10,12)	
210141		MAINSHAFT, TRANSMISSIONINCLUDES: Engine removal and installation	3.8
210141A		.Replace countershaft add (3,6,9,11,14)	0.2
2			
210142		COUNTERSHAFT, TRANSMISSIONINCLUDES: Engine removal and installation	3.8
210142A		.Replace mainshaft add	0.2
16		213135 SPROCKET, DRIVE	0.2
30		2101C7 BEARING, COUNTERSHAFT :LEFT .. .INCLUDES: Engine removal and installation	3.8
31		2101C2 BEARING, MAINSHAFT :LEFTINCLUDES: Engine removal and installation	3.8
33		2101C5 BEARING, MAINSHAFT :RIGHTINCLUDES: Engine removal and installation	3.8
		2101C6 BEARING, MAINSHAFT :BOTHINCLUDES: Engine removal and installation	4.0
+34		2101C8 BEARING, COUNTERSHAFT :RIGHT -	3.8

Ref. No.	Part No.	Description	Reqd. QTY		Serial No.	Parts catalogue code
			CRF150 RD	RBD		
1	23210-KSE-670	MAINSHAFT COMP.(14T)	1	1		
2	23221-KSE-670	COUNTERSHAFT	1	1		
3	23411-KSE-670	GEAR, COUNTERSHAFT LOW(31T) -	1	1		
4	23421-KSE-670	GEAR, MAINSHAFT SECOND(17T) -	1	1		
5	23422-KSE-670	COLLAR, 16.5MM	1	1		
6	23431-KSE-670	GEAR, COUNTERSHAFT SECOND(28T)	1	1		
7	23432-KSE-670	COLLAR, 20MM	2	2		
8	23441-KSE-670	GEAR, MAINSHAFT THIRD(22T) ..	1	1		
9	23451-KSE-670	GEAR, COUNTERSHAFT THIRD(29T)	1	1		
10	23461-KSE-670	GEAR, MAINSHAFT FOURTH(19T) -	1	1		
11	23471-KSE-670	GEAR, COUNTERSHAFT FOURTH(21T)	1	1		
12	23481-KSE-A70	GEAR, MAINSHAFT FIFTH(23T) ..	1	1		
13	23483-KSE-670	COLLAR, 18MM	1	1		
14	23491-KSE-670	GEAR, COUNTERSHAFT FIFTH(22T)	1	1		
15	23512-KSE-670	COLLAR, SPLINE, 18X11.7	1	1		
16	23801-KSE-670	SPROCKET, DRIVE(15T)	1	1		
17	23802-KSE-670	PLATE, DRIVE SPROCKET FIXING	1	1		
18	90071-MF5-000	BOLT, FLANGE SOCKET, 6X14 ...	2	2		
19	90084-041-000	BOLT, DRIVE SPROCKET FIXING -	2	2		
20	90401-KCZ-000	WASHER, THRUST, 18MM	1	1		
21	90401-KSE-670	WASHER, THRUST INVOLUTE, 18X23X1.6	2	2		
22	90403-KSE-670	WASHER, THRUST INVOLUTE, 20X26X1	1	1		
23	90441-KRM-840	PLATE, BEARING HOLDER	2	2		

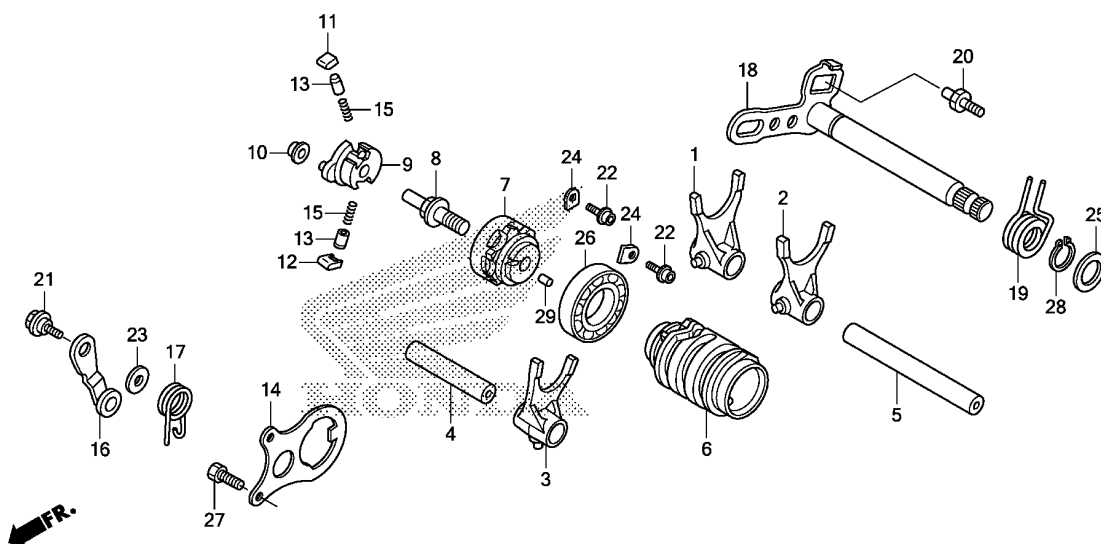
2



Ref. No.	L.O.N.	(Relative ref. Number) Description	F.R.T.
+34		.INCLUDES: Engine removal and installation	
2101C9		BEARING, COUNTERSHAFT :BOTH ..	4.0
2101D4		BEARING, MAINSHAFT AND COUNTERSHAFT :ALL	4.2
		.INCLUDES: Engine removal and installation	

Ref. No.	Part No.	Description	Reqd. QTY		Serial No.	Parts catalogue code
			CRF150 RD	RBD		
24	90451-107-000	WASHER, THRUST, 15MM	1	1		
25	90452-437-000	WASHER, THRUST, 16.5MM	1	1		
26	90457-HB3-000	WASHER, THRUST, 15X1	1	1		
27	90554-728-940	WASHER, THRUST, 20MM	3	3		
28	90601-030-000	CIRCLIP, 18MM	2	2		
29	90601-459-000	CIRCLIP, 20MM	1	1		
30	91004-MT3-003	BEARING, RADIAL BALL, 20X47X10.5	1	1		
31	91008-KSE-671	BEARING, RADIAL BALL, 6002U .	1	1		
32	91202-KCY-761	OIL SEAL, 20X30X7	1	1		
33	96120-62030-00	BEARING, RADIAL BALL, 6203 ..	1	1		
34	96140-62020-00	BEARING, RADIAL BALL, 6202U .	1	1		

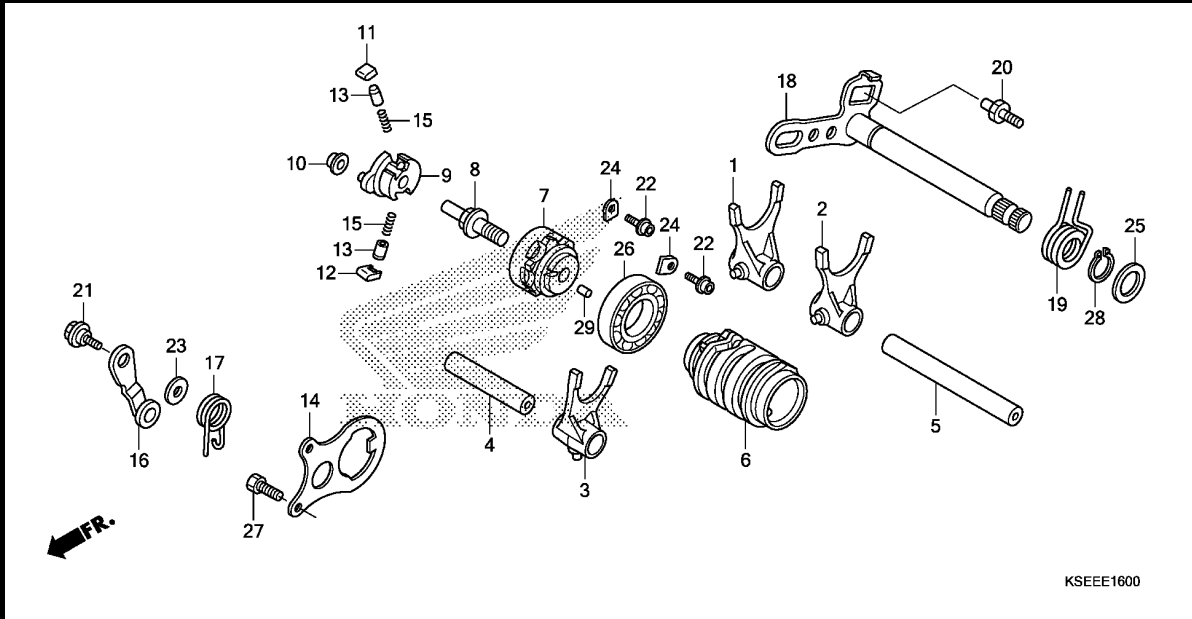




KSEEE1600

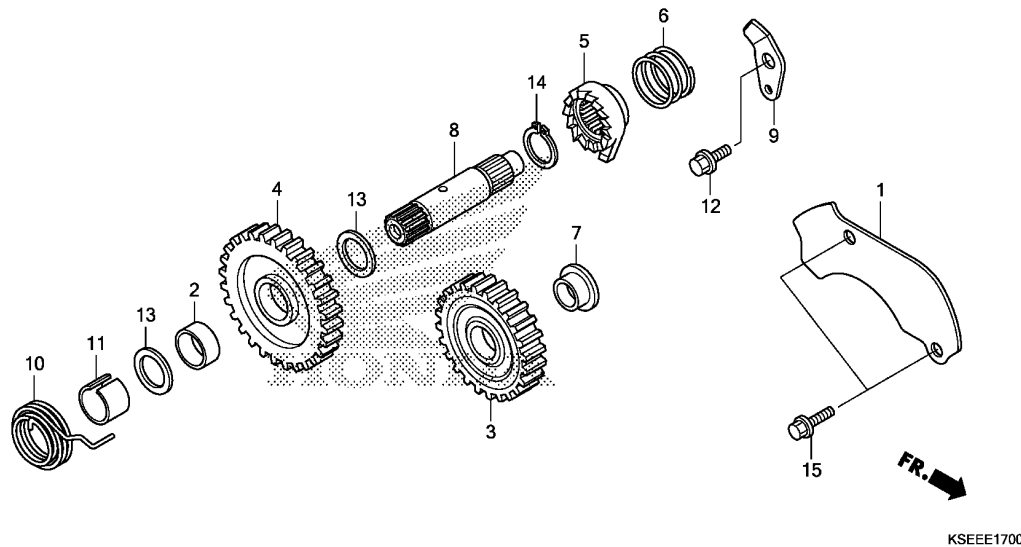
Ref. No.	L.O.N.	(Relative ref. Number) Description	F.R.T.
1		(2,3)	
210112		FORK, GEARSHIFTINCLUDES: Engine removal and installation .NOTE: Same time for two units or more	3.8
6	2101A9	DRUM, GEARSHIFTINCLUDES: Engine removal and installation	3.8
7	2101B2	CENTER, GEARSHIFT DRUM (11,12,13,15)	1.3
9	2101B3	SHIFTER, GEARSHIFT DRUM (17)	1.2
14	2101B4	PLATE, GUIDE (17)	1.2
16	210125	STOPPER OR SPRING, SHIFT DRUM (19)	1.4
18	210122	SPINDLE, GEARSHIFT (19)	1.2

Ref. No.	Part No.	Description	Reqd. QTY		Serial No.	Parts catalogue code
			CRF150 RD	RBD		
1	24211-KSE-670	FORK, R. GEARSHIFT	1	1		
2	24212-KSE-670	FORK, L. GEARSHIFT	1	1		
3	24213-KSE-670	FORK, CENTER GEARSHIFT	1	1		
4	24265-GC4-710	SHAFT, GEARSHIFT FORK MAIN ..	1	1		
5	24266-KSE-670	SHAFT C, SHIFT FORK	1	1		
6	24311-KSE-670	DRUM, GEARSHIFT	1	1		
7	24312-KA3-741	CENTER, GEARSHIFT DRUM	1	1		
8	24315-KA3-710	PIN, SHIFTER	1	1		
9	24321-KZ3-891	SHIFTER, GEARSHIFT DRUM	1	1		
10	24322-MM4-000	COLLAR, SHIFTER	1	1		
11	24324-KA3-711	PAWL A, RATCHET	1	1		
12	24325-KA3-711	PAWL B, RATCHET	1	1		
13	24326-KBH-901	PLUNGER, PAWL	2	2		
14	24328-GC4-730	PLATE, GUIDE	1	1		
15	24329-KA3-740	SPRING, PAWL PLUNGER	2	2		
16	24430-KA3-740	STOPPER COMP., DRUM	1	1		
17	24435-KSE-670	SPRING, DRUM STOPPER	1	1		
18	24610-KSE-670	SPINDLE COMP., GEARSHIFT	1	1		
19	24651-KSE-670	SPRING, SHIFT RETURN	1	1		
20	24652-HA0-000	PIN, GEARSHIFT RETURN SPRING	1	1		
21	90022-MG8-000	PIVOT, SHIFT DRUM STOPPER ARM	1	1		
22	90071-MF5-000	BOLT, FLANGE SOCKET, 6X14	2	2		
23	90435-HB3-000	WASHER, 6.1MM	1	1		
24	90441-KRM-840	PLATE, BEARING HOLDER	2	2		
25	90451-155-000	WASHER, 14MM	1	1		



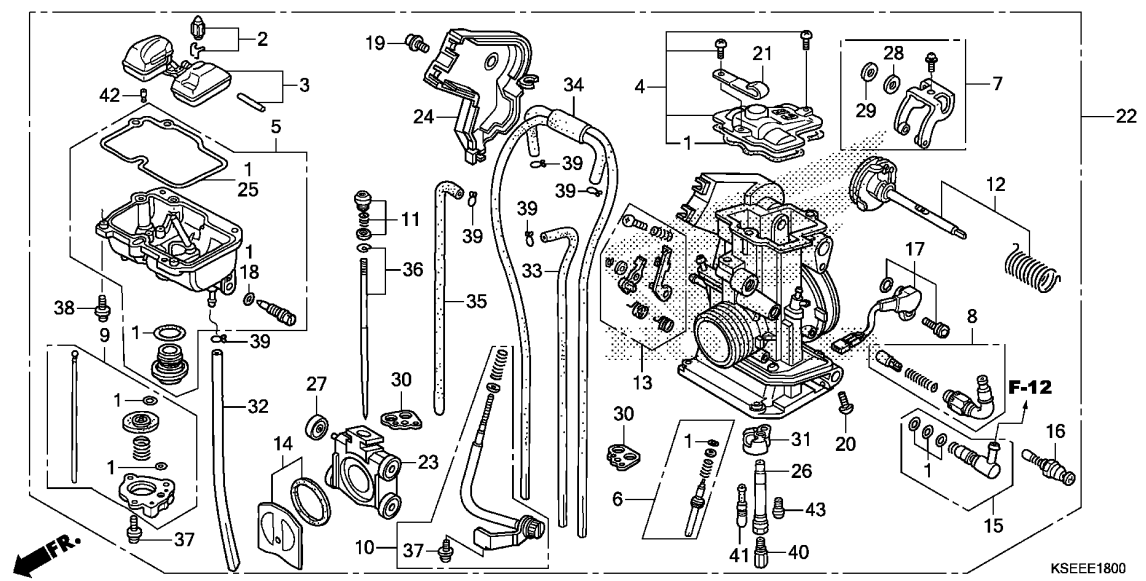
Ref. No.	Part No.	Description	Reqd. QTY		Serial No.	Parts catalogue code
			CRF150 RD	RBD		

26	91004-KY4-900	BEARING, RADIAL BALL, 6905U	1	1		
27	93301-06016-0A	BOLT, HEX., 6X16	2	2		
28	94510-14000	CIRCLIP, EXTERNAL, 14MM	1	1		
29	96220-40080	ROLLER, 4X8	1	1		



Ref. No.	L.O.N.	(Relative ref. Number) Description	F.R.T.
3	612135	GEAR, STARTER IDLE	1.1
4	1121A0	PINION, KICK STARTER	1.2
5		(6)	
	1121A1	RATCHET, KICK(RECOIL) STARTER	1.2
8	1121A2	SPINDLE, KICK STARTER	1.2
10		(11)	
	112103	SPRING, KICK STARTER RETURN ..	1.1

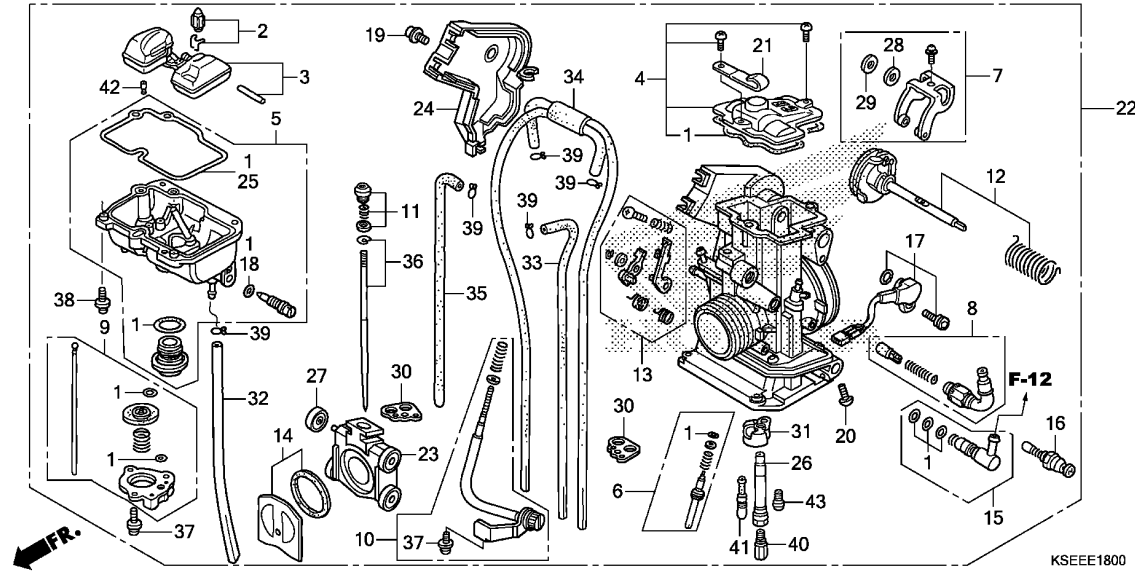
Ref. No.	Part No.	Description	Reqd. QTY		Serial No.	Parts catalogue code
			CRF150 RD	RBD		
1	15201-KSE-670	PLATE, OIL GUIDE	1	1		
2	23472-KY4-900	COLLAR, 20X22X10	1	1		
3	23531-KSE-670	GEAR, IDLE STARTER(24T)	1	1		
4	28211-KSE-670	PINION, KICK STARTER(28T)	1	1		
5	28221-MEB-770	RATCHET, KICK STARTER	1	1		
6	28223-KA4-740	SPRING, KICK STARTER RATCHET	1	1		
7	28232-KSE-670	COLLAR, KICK IDLE GEAR	1	1		
8	28251-MEN-670	SPINDLE, KICK STARTER	1	1		
9	28259-KSE-670	PLATE, RATCHET GUIDE	1	1		
10	28281-KSE-670	SPRING, KICK STARTER	1	1		
11	28282-MEB-670	COLLAR, KICK SPRING	1	1		
12	90109-KSE-670	BOLT, SPECIAL, 8X22	1	1		
13	90554-728-940	WASHER, THRUST, 20MM	2	2		
14	94510-19000	CIRCLIP, EXTERNAL, 19MM	1	1		
15	96001-06016-00	BOLT, FLANGE, 6X16	2	2		



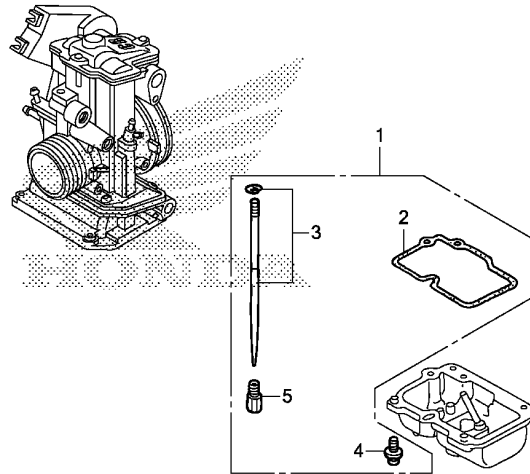
Ref. No.	L.O.N.	(Relative ref. Number) Description	F.R.T.
3		(2) FLOAT OR FLOAT VALVE	0.6
5		3111A6 CHAMBER, FLOAT	0.6
8		3111G0 VALVE SET, HOT START	0.6
9		3111F4 PUMP SET, ACCELERATOR	0.6
16		311125 VALVE, STARTER	0.5
17		617115 SENSOR, THROTTLE	0.3
22		3111B5 CARBURETOR ASSEMBLY	0.8
23		(14,27)	
		3111A8 VALVE, THROTTLE	0.4
26		(31,41,43)	
		3111A4 HOLDER, NEEDLE JET	0.6
36		(11)	
		3111A3 NEEDLE, JET	0.3
40		3111D4 JET, MAIN	0.2

Ref. No.	Part No.	Description	Reqd. QTY		Serial No.	Parts catalogue code
			CRF150 RD	RBD		
1	16010-MEN-851	GASKET SET	1	1		
2	16011-KSE-671	VALVE SET, FLOAT	1	1		
3	16013-MEB-671	FLOAT SET	1	1		
4	16014-KSE-671	TOP SET	1	1		
5	16015-KSC-A11	CHAMBER SET, FLOAT	1	1		
6	16016-KSE-601	SCREW SET A	1	1		
7	16018-MEY-A11	ARM SET, LINK	1	1		
8	16019-MEB-671	START SET, HOT	1	1		
9	16021-KSE-A71	PUMP SET, DIAPHRAGM	1	1		
10	16028-KSE-A71	SCREW SET B	1	1		
11	16029-MEY-A11	SCREW SET, JET NEEDLE	1	1		
12	16032-KSE-A71	SHAFT SET, THROTTLE	1	1		
13	16033-KSE-A71	LEVER SET, PUMP	1	1		
14	16037-KSE-671	VALVE SET, FLOATING	1	1		
15	16038-MEB-671	JOINT SET, FUEL	1	1		
16	16046-MEB-671	VALVE SET, STARTER	1	1		
17	16060-KSE-671	SENSOR ASSY., THROTTLE	1	1		
18	16076-ND5-004	O-RING, 1.3X4.3	1	1		
19	16080-HP1-601	BOLT, COVER	1	1		
20	16083-MEB-671	SCREW, PAN	1	1		
21	16088-MEN-731	CLIP	1	1		
22	16100-KSE-E72	CARBURETOR ASSY.(FCR15C A) ..	1	1		
23	16112-KSE-601	VALVE, THROTTLE	1	1		
24	16157-MEN-A01	COVER, THROTTLE	1	1		
25	16163-MEB-671	GASKET, FLOAT CHAMBER	1	1		





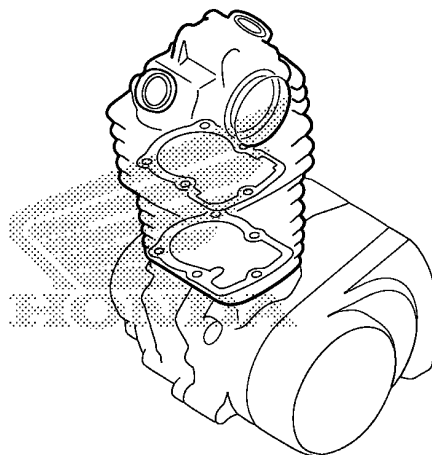
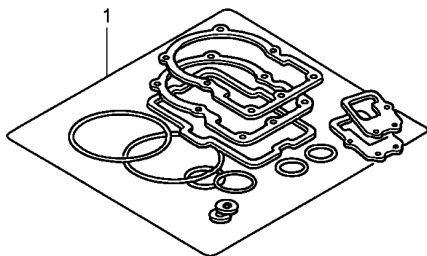
Ref. No.	Part No.	Description	Reqd. QTY		Serial No.	Parts catalogue code
			CRF150 RD	RBD		
26	16165-MEY-A11	HOLDER, NEEDLE JET	1	1		
27	16172-MEB-671	ROLLER	1	1		
28	16177-MEB-671	WASHER, PLAIN(PO)	1	1		
29	16178-MEB-671	WASHER, PLAIN(SUS)	1	1		
30	16178-MEN-851	BINDER	2	2		
31	16185-MEN-671	PLATE, BUFFER	1	1		
32	16196-KSE-E31	TUBE, OVERFLOW	1	1		
33	16197-MEB-671	TUBE, AIR VENT	1	1		
34	16198-KSE-671	TUBE COMP., AIR VENT	1	1		
35	16199-MEB-671	TUBE, AIR VENT	1	1		
36	16204-KSE-601	NEEDLE SET, JET(NMQT)	1	1		
37	93892-04008-18	SCREW-WASHER, 4X8	4	4		
38	93892-04014-18	SCREW-WASHER, 4X14	4	4		
39	95002-02079	CLIP, TUBE(B7)	5	5		
40	99101-357-1320	JET, MAIN, #132	1	1		
41	99103-440-0350	JET, SLOW, #35	(1)	(1)		
	99103-440-0380	JET, SLOW, #38	1	1		
	99103-440-0400	JET, SLOW, #40	(1)	(1)		
	99103-440-0420	JET, SLOW, #42	(1)	(1)		
42	99108-KRN-0700	JET, LEAK, #70	(1)	(1)		
	99108-KRN-0750	JET, LEAK, #75	(1)	(1)		
	99108-KSC-0650	JET, LEAK, #65	1	1		
	99108-KSE-0600	JET, LEAK, #60	(1)	(1)		
	99108-MEB-0550	JET, LEAK, #55	(1)	(1)		
43	99112-KRN-0680	JET, BY-STARTER, #68	1	1		



KSEEE1801

Ref. No.	L.O.N.	(Relative ref. Number)	Description	F.R.T.
----------	--------	------------------------	-------------	--------

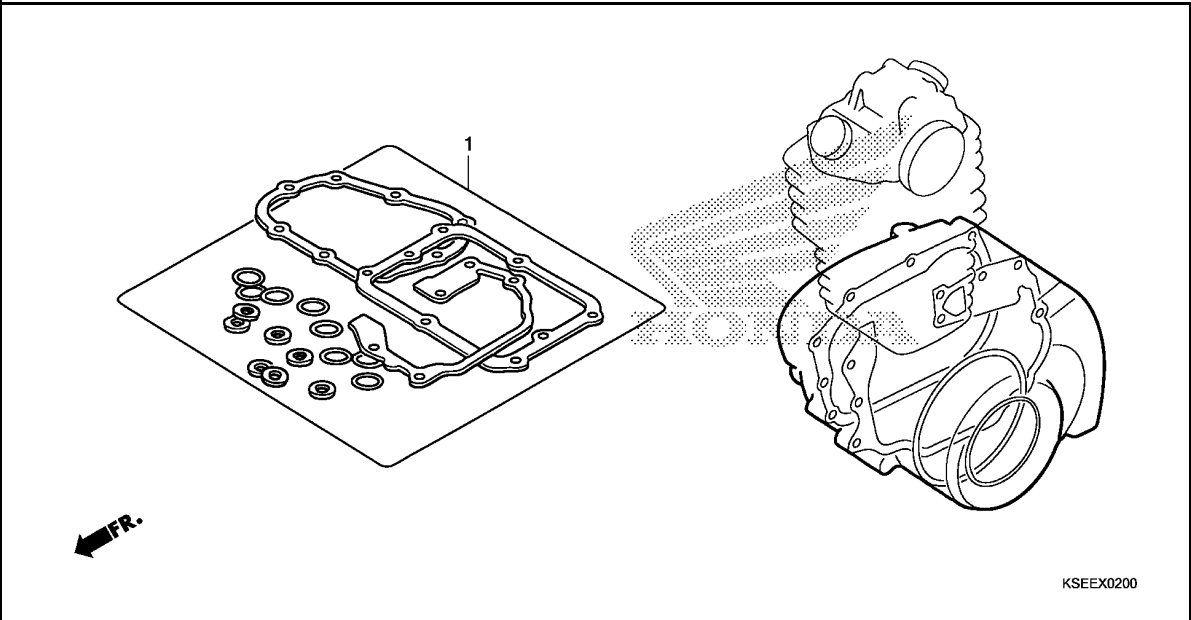
Ref. No.	Part No.	Description	Reqd. QTY		Serial No.	Parts catalogue code
			CRF150 RD	RBD		
1	16020-KSE-611	PARTS KIT, CARBURETOR OPTIONAL	(1)	(1)		
2	16163-MEB-671	GASKET, FLOAT CHAMBER	(5)	(5)		
3	16202-KSE-601	NEEDLE SET, JET(NMQR)	(1)	(1)		
	16203-KSE-601	NEEDLE SET, JET(NMQS)	(1)	(1)		
	16205-KSE-601	NEEDLE SET, JET(NMQU)	(1)	(1)		
	16206-KSE-611	NEEDLE SET, JET(NMQV)	(1)	(1)		
	16231-KSE-601	NEEDLE SET, JET(NMRR)	(1)	(1)		
	16232-KSE-601	NEEDLE SET, JET(NMRS)	(1)	(1)		
	16233-KSE-601	NEEDLE SET, JET(NMRT)	(1)	(1)		
	16234-KSE-601	NEEDLE SET, JET(NMRU)	(1)	(1)		
	16235-KSE-611	NEEDLE SET, JET(NMRV)	(1)	(1)		
4	93892-04014-08	SCREW-WASHER, 4X14	(10)	(10)		
5	99101-357-1200	JET, MAIN, #120	(1)	(1)		
	99101-357-1220	JET, MAIN, #122	(1)	(1)		
	99101-357-1250	JET, MAIN, #125	(1)	(1)		
	99101-357-1280	JET, MAIN, #128	(1)	(1)		
	99101-357-1320	JET, MAIN, #132	(1)	(1)		
	99101-357-1350	JET, MAIN, #135	(1)	(1)		
	99101-357-1380	JET, MAIN, #138	(1)	(1)		
	99101-357-1400	JET, MAIN, #140	(1)	(1)		



KSEEX0100

Ref. No.	L.O.N.	(Relative ref. Number)	Description	F.R.T.
----------	--------	------------------------	-------------	--------

Ref. No.	Part No.	Description	Reqd. QTY		Serial No.	Parts catalogue code
			CRF150 RD	RBD		
1	06111-KSE-700	GASKET KIT A	1	1		
	12191-KSE-671	GASKET, CYLINDER	1	1		
	12226-MEB-670	SEAL, RING	1	1		
	12251-KSE-671	GASKET, CYLINDER HEAD	1	1		
	12391-KSE-670	GASKET, HEAD COVER	1	1		
	12395-KSE-670	GASKET, PLUG HOLE	1	1		
	14560-MEN-671	GASKET, TENSIONER LIFTER	1	1		
	18291-KZ1-670	GASKET, EX. PIPE	1	1		
	90442-397-000	WASHER, SEALING, 6MM	1	1		
	90543-MV9-670	RUBBER, MOUNTING	2	2		
	91302-028-000	O-RING, 15X2.5	1	1		



Ref. No.	L.O.N.	(Relative ref. Number) Description	F.R.T.

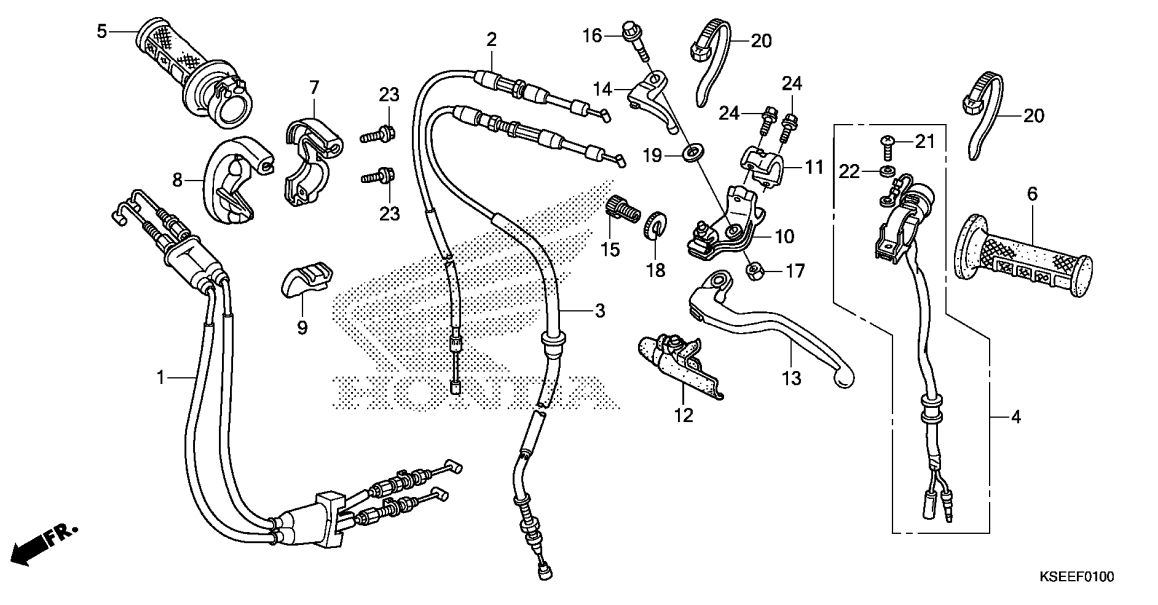
Ref. No.	Part No.	Description	Reqd. QTY		Serial No.	Parts catalogue code
			CRF150 RD	RBD		

1	06112-KSE-701	GASKET KIT B	1	1		
	11191-KSE-671	GASKET, CRANKCASE	1	1		
	11394-KSE-671	GASKET, R. COVER	1	1		
	11395-KSE-671	GASKET, L. COVER	1	1		
	19226-KSE-670	GASKET, WATER PUMP	1	1		
	90447-KE1-000	WASHER, SEALING, 7MM	2	2		
	90463-ML7-000	WASHER, SEALING, 6.5MM	4	4		
	90474-333-000	WASHER, SEALING, 8MM	2	2		
	90751-GK1-003	O-RING, 8.5X1.7	1	1		
	91302-PA9-003	O-RING, 39.8X2.2(ARAI)	1	1		
	91303-377-000	O-RING, 13.8X2.5	1	1		
	91305-KF0-003	O-RING, 27X2(ARAI)	1	1		
	91307-035-000	O-RING, 18X3	2	2		
	91311-PH7-003	O-RING, 13.8X2.4(NOK)	1	1		

F-1

HANDLE LEVER/SWITCH/CABLE

F 1

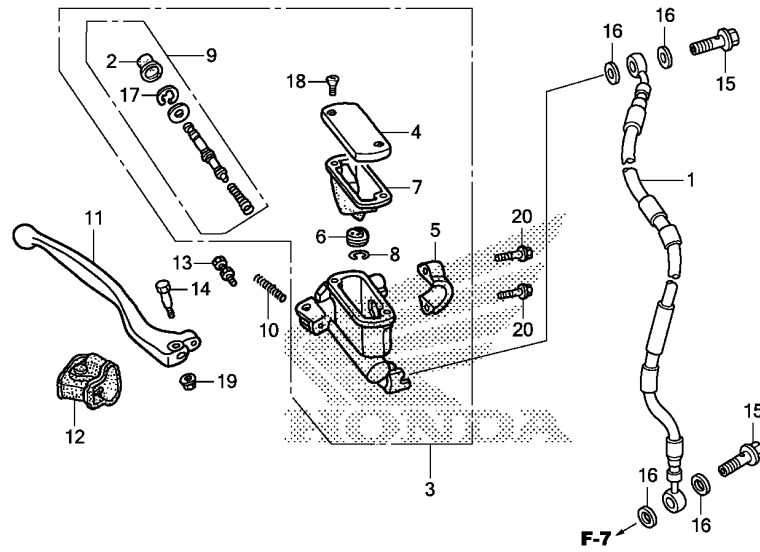


Ref. No.	L.O.N.	(Relative ref. Number) Description	F.R.T.
1	811100	CABLE, THROTTLE	0.5
2	8111B5	CABLE, HOT STARTER	0.7
3	811115	CABLE, CLUTCH	0.5
4	6151D8	SWITCH, ENGINE STOP	0.3
5		(9)	
	810150	GRIP, THROTTLE	0.1
6	8101C0	GRIP, HANDLE :LEFT	0.1
7		(8)	
	810155	HOUSING, THROTTLE	0.2
		.NOTE: Same time for two units	
10	8101C8	BRACKET, HANDLE LEVER :LEFT ..	0.2
13	8101C6	LEVER, HANDLE :LEFT	0.1
	8101F5	LEVER, HANDLE :BOTH	0.2
14	8101F2	LEVER, HOT STARTER	0.1

KSEEF0100

Ref. No.	Part No.	Description	Reqd. QTY		Serial No.	Parts catalogue code
			CRF150 RD	RBD		
1	17900-KSE-710	CABLE COMP., THROTTLE	1	1		
2	17950-KSE-000	CABLE COMP., HOT STARTER	1	1		
3	22870-KSE-000	CABLE COMP., CLUTCH	1	1		
4	35130-KSE-671	SWITCH ASSY., ENGINE STOP ...	1	1		
5	53140-KSE-000	GRIP COMP., THROTTLE	1	1		
6	53166-GBF-J60	GRIP, L. HANDLE	1	1		
7	53167-MEB-672	HOUSING, UPPER THROTTLE	1	1		
8	53168-MEB-671	HOUSING, UNDER THROTTLE	1	1		
9	53169-KSE-000	SLIDER, THROTTLE CABLE	1	1		
10	53172-MEB-670	BRACKET, L. HANDLE LEVER	1	1		
11	53174-KCE-670	HOLDER, L. LEVER BRACKET	1	1		
12	53177-MEB-670	COVER, L. HANDLE LEVER	1	1		
13	53178-MAC-740	LEVER, L. STEERING HANDLE ...	1	1		
14	53190-MEB-670	LEVER, HOT STARTER	1	1		
15	53192-203-000	BOLT, CLUTCH WIRE ADJUSTING ..	1	1		
16	90112-MEB-670	BOLT, LEVER PIVOT(NSHF)	1	1		
17	90301-782-000	NUT, U, 6MM	1	1		
18	90321-315-670	NUT, FIXING	1	1		
19	90501-KV6-670	WASHER, PLAIN, 7MM	1	1		
20	90650-KV6-003	BAND, WIRE, 95MM	2	2		
21	93500-04012-1A	SCREW, PAN, 4X12	1	1		
22	94111-04000	WASHER, SPRING, 4MM	1	1		
23	96001-06018-07	BOLT, FLANGE, 6X18	2	2		
24	96001-06022-00	BOLT, FLANGE, 6X22	2	2		

3

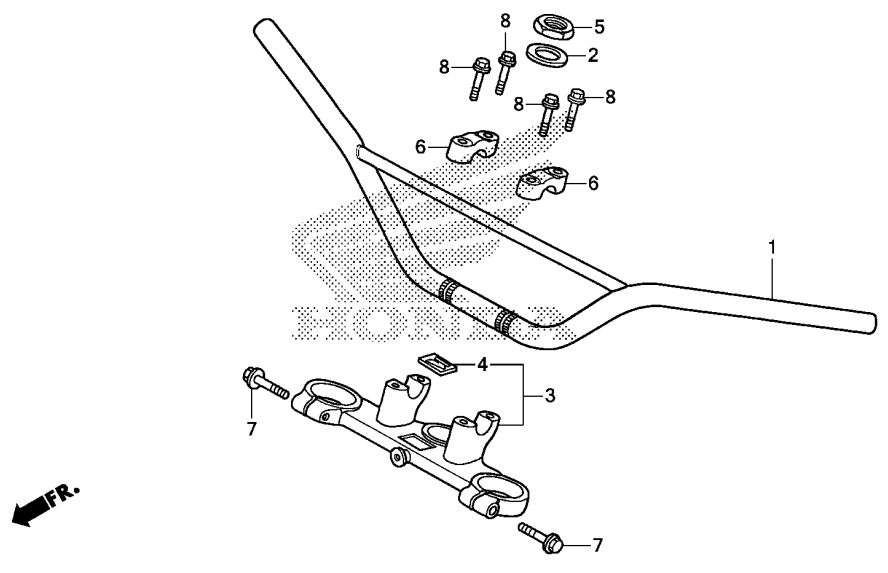


Ref. No.	L.O.N.	(Relative ref. Number) Description	F.R.T.
1	7121A0	HOSE, FRONT BRAKEINCLUDES: Bleed brakes	0.4
3	712105	CYLINDER, FRONT BRAKE MASTER - .INCLUDES: Bleed brakes	0.4
7	7121G6	DIAPHRAGM, FRONT BRAKE MASTER CYLINDER	0.1
9	7121G9	PISTON SET, FRONT BRAKE MASTER .INCLUDES: Bleed brakes	0.4
11	8101C7	LEVER, HANDLE :RIGHT	0.1
	8101F5	LEVER, HANDLE :BOTH	0.2

Ref. No.	Part No.	Description	Reqd. QTY		Serial No.	Parts catalogue code
			CRF150 RD	RBD		
1	45125-KSE-003	HOSE, FR. BRAKE	1	1		
2	45504-KN5-006	BOOT COMP.	1	1		
3	45510-GBF-J01	CYLINDER SUB ASSY., FR. BRAKE MASTER(NISSIN)	1	1		
4	45513-KCE-671	CAP, MASTER CYLINDER	1	1		
5	45517-GW0-751	HOLDER, MASTER CYLINDER	1	1		
6	45518-KA3-731	SEPARATOR COMP.	1	1		
7	45520-KA3-731	DIAPHRAGM	1	1		
8	45523-KA3-731	RING	1	1		
9	45530-KCE-671	PISTON SET, MASTER CYLINDER -	1	1		
10	53174-KN5-006	SPRING, BRAKE LEVER	1	1		
11	53175-KCE-670	LEVER, R. STEERING HANDLE ...	1	1		
12	53176-ML3-791	COVER, R. HANDLE LEVER	1	1		
13	90111-ML3-791	BOLT SET, ADJUSTER	1	1		
14	90114-166-006	BOLT, HANDLE LEVER PIVOT	1	1		
15	90145-MS9-612	BOLT, OIL, 10X22	2	2		
16	90545-300-000	WASHER, OIL BOLT	4	4		
17	90651-MA5-671	CIRCLIP	1	1		
18	93600-04012-1G	SCREW, FLAT, 4X12	2	2		
19	94050-06000	NUT, FLANGE, 6MM	1	1		
20	96001-06022-00	BOLT, FLANGE, 6X22	2	2		

F-3

HANDLE PIPE/TOP BRIDGE



Ref. No.	L.O.N.	(Relative ref. Number) Description	F.R.T.
1	810100	PIPE, STEERING HANDLE	0.4
3	510110	BRIDGE, FORK TOP	0.3

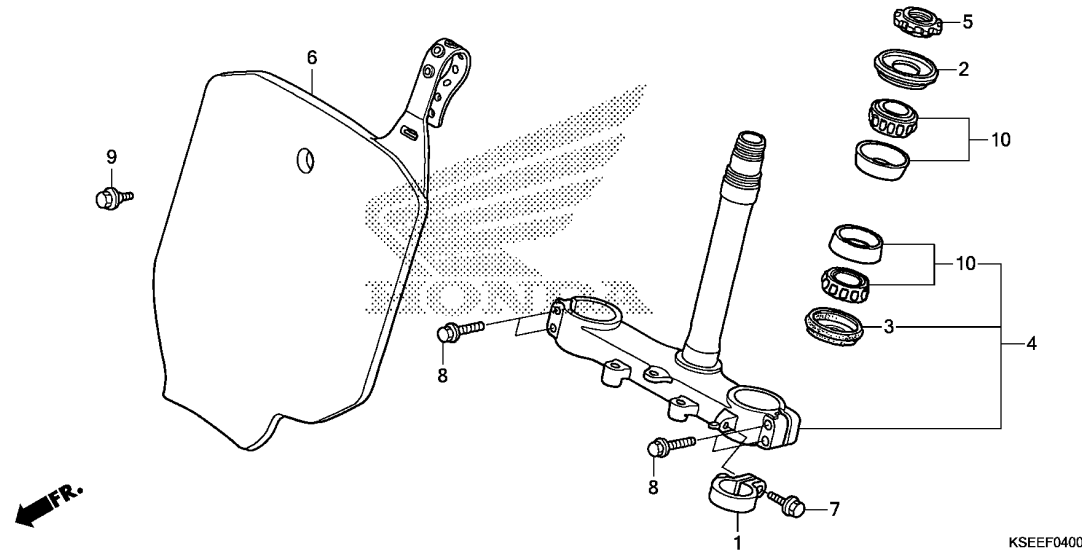
3

Ref. No.	Part No.	Description	Reqd. QTY		Serial No.	Parts catalogue code
			CRF150 RD	RBD		
1	53100-KSE-A70	PIPE, STEERING HANDLE	1	1		
2	53215-GF8-000	WASHER, DUST SEAL	1	1		
3	53300-KSE-000	BRIDGE COMP., FORK TOP	1	1		
4	86150-KPG-901	EMBLEM, PRODUCT(MARUI)	1	1		
5	90304-425-000	NUT, STEERING STEM	1	1		
6	95014-22100	HOLDER B1, HANDLE PIPE UPPER	2	2		
7	96300-08035-00	BOLT, FLANGE, 8X35	2	2		
8	96400-08032-00	BOLT, FLANGE, 8X32	4	4		

F-4

STEERING STEM

F 4



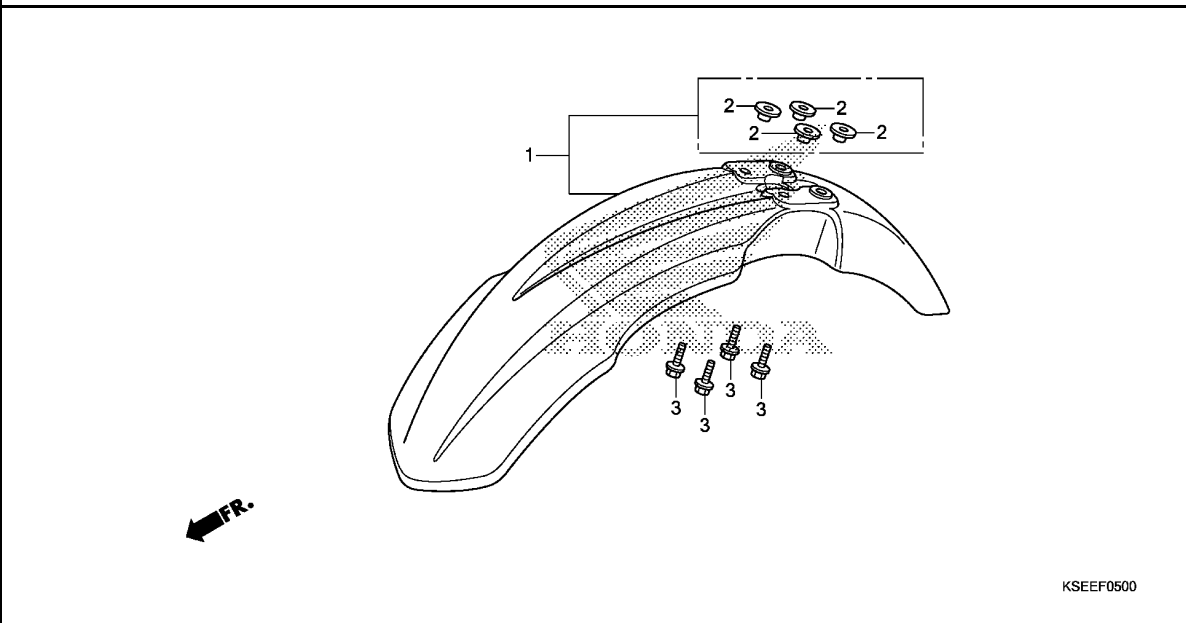
Ref. No.	L.O.N.	(Relative ref. Number) Description	F.R.T.
4	510100	STEM OR SHAFT ASSY., STEERING (2)	0.7
5	5101B2	THREAD, STEERING HEAD TOP	0.3
6	4131K8	PLATE, FRONT NUMBER	0.1
10	5101B6	BEARING, HEAD PIPE :UPPER	0.7
	5101B7	BEARING, HEAD PIPE :LOWER	0.9
	5101C7	BEARING, HEAD PIPE :BOTH	0.9

Ref. No.	Part No.	Description	Reqd. QTY		Serial No.	Parts catalogue code
			CRF150 RD	RBD		
1	45468-KS7-830	GUIDE, FR. BRAKE HOSE	1	1		
2	53214-KA3-732	DUST SEAL, STEERING HEAD(ARAI)	1	1		
3	53214-MCJ-751	DUST SEAL, STEERING HEAD(ARAI)	1	1		
4	53219-GBF-K40	STEM SUB ASSY., STEERING	1	1		
5	53229-MN1-650	THREAD, STEERING HEAD TOP ...	1	1		
6	61136-GBF-831ZB	PLATE, FR. NUMBER *NH196*.....ROSS WHITE	1	1		
7	90106-MJ0-000	BOLT, FLANGE, 6X16	1	1		
8	90107-KF0-000	BOLT, FLANGE, 8X40	4	4		
9	90112-GC3-000	BOLT, SPECIAL, 5MM	1	1		
10	91015-425-831	BEARING, HEAD PIPE UPPER(NTN)	2	2		

F-5

FRONT FENDER

F 5

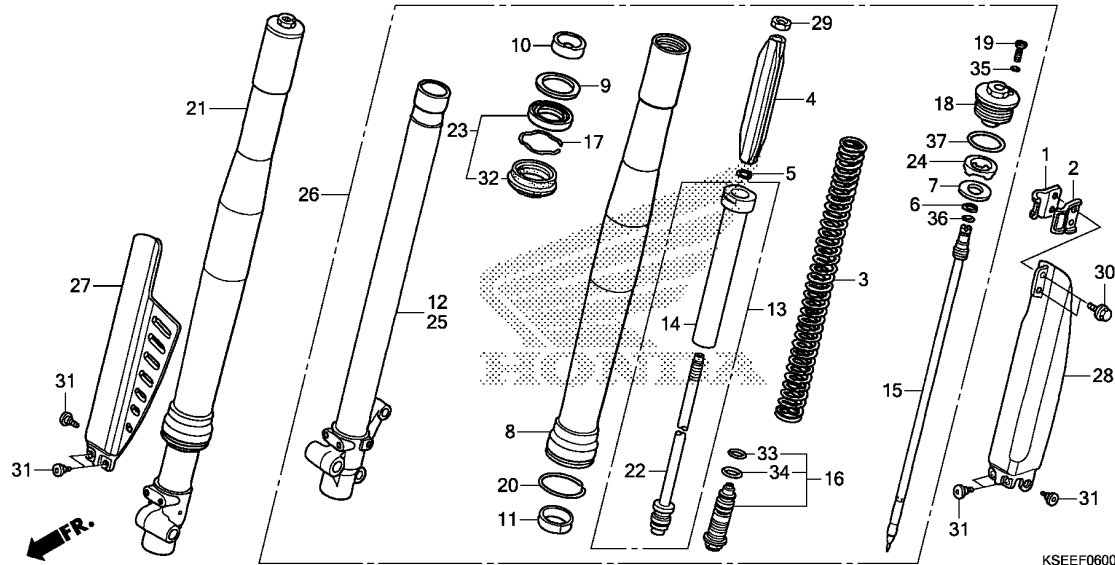


Ref. No.	L.O.N.	(Relative ref. Number) Description	F.R.T.
1	4131B7	FENDER, FRONT	0.1

3

Ref. No.	Part No.	Description	Reqd. QTY		Serial No.	Parts catalogue code
			CRF150 RD	RBD		

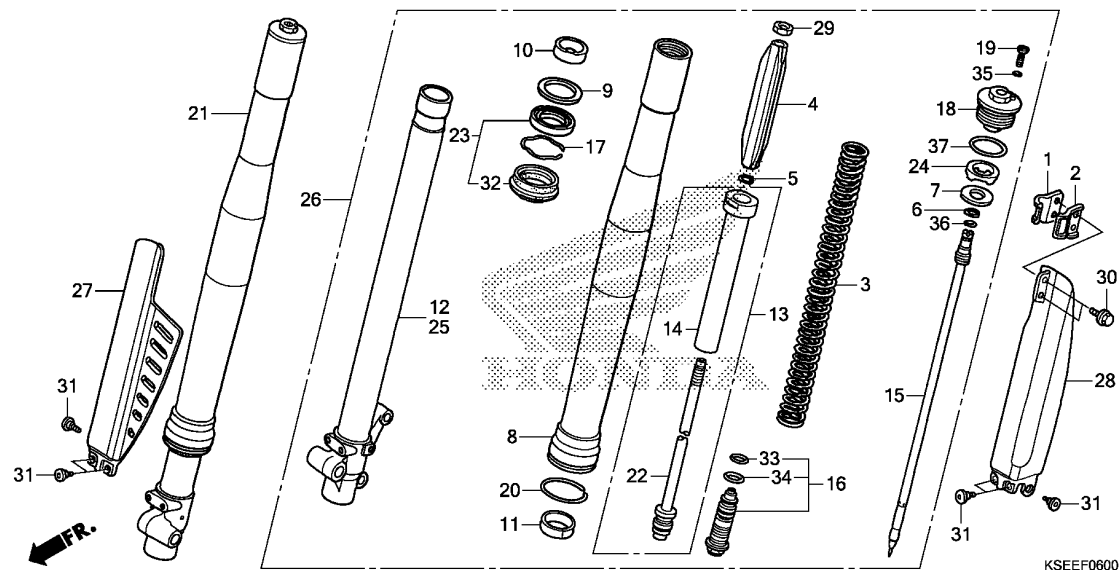
1	61110-KSE-000	FENDER SUB ASSY., FR.	1	1		
2	90512-KZ4-J20	COLLAR, FR. FENDER	4	4		
3	93404-06016-08	BOLT-WASHER, 6X16	4	4		



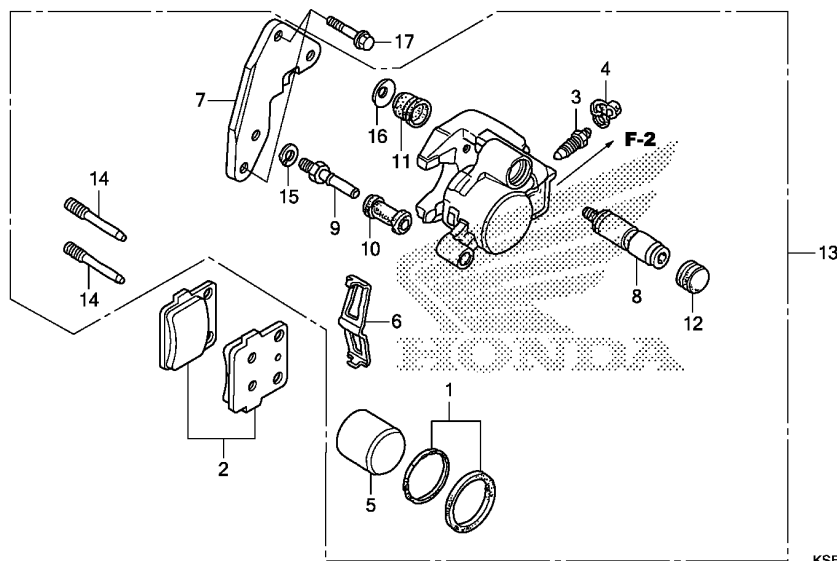
Ref. No.	L.O.N.	(Relative ref. Number) Description	F.R.T.
3		(15,37)	
		5111C5 SPRING, FRONT FORK :LEFT	0.6
		5111C6 SPRING, FRONT FORK :RIGHT	0.6
		5111C7 SPRING, FRONT FORK :BOTH	0.9
8		5111C8 TUBE, OUTER :LEFT	1.0
		5111C9 TUBE, OUTER :RIGHT	1.0
		5111D0 TUBE, OUTER :BOTH	1.7
12		(10,11)	
		5111D5 PIPE, SLIDE :RIGHT	1.0
13		(16,33,34)	
		5111D8 DAMPER, FRONT FORK :LEFT	0.8
		5111D9 DAMPER, FRONT FORK :RIGHT	0.8
		5111E0 DAMPER, FRONT FORK :BOTH	1.3
21		5111C3 FORK ASSY., FRONT :RIGHT	0.4
23		5111E7 SEAL SET, FRONT FORK :LEFT ...	0.9
		5111E8 SEAL SET, FRONT FORK :RIGHT ..	0.9
		5111E9 SEAL SET, FRONT FORK :BOTH ...	1.5
25		(10,11)	
		5111D4 PIPE, SLIDE :LEFT	1.0
		5111D6 PIPE, SLIDE :BOTH	1.7
26		5111C2 FORK ASSY., FRONT :LEFT	0.4
		5111C4 FORK ASSY., FRONT :BOTH	0.5
27		5111F5 PROTECTOR, FRONT FORK :RIGHT ..	0.1
28		5111F4 PROTECTOR, FRONT FORK :LEFT ..	0.2
		5111H6 PROTECTOR, FRONT FORK :BOTH ..	0.2

Ref. No.	Part No.	Description	Reqd. QTY		Serial No.	Parts catalogue code
			CRF150 RD	RBD		
1	45461-GBF-J00	CLAMPER A, FR. BRAKE HOSE ...	1	1		
2	45462-GBF-J00	CLAMPER B, FR. BRAKE HOSE ...	1	1		
3	51401-KSE-671	SPRING, FR. FORK (3.33N/MM,0.34KGF/MM)	2	-		
	51401-KSE-841	SPRING, FR. FORK (3.53N/MM,0.36KGF/MM)	(2)	-		
	51402-KSE-671	SPRING, FR. FORK (3.14N/MM,0.32KGF/MM)	(2)	-		
	51401-KSE-671	SPRING, FR. FORK (3.33N/MM,0.34KGF/MM)	-	(2)		
	51401-KSE-841	SPRING, FR. FORK (3.53N/MM,0.36KGF/MM)	-	2		
	51403-KSE-671	SPRING, FR. FORK (3.73N/MM,0.38KGF/MM)	-	(2)		
4	51404-GBF-831	GUIDE, SPRING	2	2		
5	51405-GBF-831	RING, STOPPER	2	2		
6	51405-MC7-003	RING, STOPPER	2	2		
7	51408-GBF-831	SEAT, SPRING	2	2		
8	51410-KSE-671	TUBE, OUTER	2	-		
	51410-KSE-841	-	2		
9	51412-461-003	RING, BACK UP	2	2		
10	51414-KSE-A71	BUSH, GUIDE	2	2		
11	51415-KSE-A71	BUSH, SLIDER	2	2		
12	51420-KSE-A71	PIPE COMP., R. SLIDE	1	1		
13	51430-KSE-A71	DAMPER COMP., FR.	2	2		
14	51431-KSE-A71	DAMPER SUB COMP., FR.	2	2		
15	51436-GBF-J01	NEEDLE, REBOUND	2	2		





Ref. No.	Part No.	Description	Reqd. QTY		Serial No.	Parts catalogue code
			CRF150 RD	RBD		
16	51441-KSE-A71	BOLT COMP., CENTER	2	2		
17	51447-KR6-003	RING, OIL SEAL STOPPER	2	2		
18	51450-GBF-831	BOLT, FR. FORK	2	2		
19	51456-KZ3-731	BOLT, PLUG	2	2		
20	51476-GBF-831	RING, WEAR	2	2		
21	51480-KSE-A71	FORK SUB ASSY., R. FR.	1	-		
	51480-KSE-A81	-	1		
22	51481-KSE-A71	ROD COMP., PISTON	2	2		
23	51490-GBF-J21	SEAL SET, FR. FORK	2	2		
24	51517-GBF-831	RUBBER, STOPPER	2	2		
25	51520-KSE-A71	PIPE COMP., L. SLIDE	1	1		
26	51580-KSE-A71	FORK SUB ASSY., L. FR.	1	-		
	51580-KSE-A81	-	1		
27	51610-GBF-680ZB	PROTECTOR, R. FR. FORK				
	TNATURALNATURAL	1	1		
28	51620-GBF-680ZB	PROTECTOR, L. FR. FORK				
	TNATURALNATURAL	1	1		
29	52482-GBF-831	NUT, HEX., 10MM	2	2		
30	90113-KZ3-000	BOLT, FLANGE, 6MM	2	2		
31	90113-MAC-780	BOLT, PROTECTOR	6	6		
32	91254-GBF-831	SEAL, DUST	2	2		
33	91256-GC5-003	O-RING, 15.5X1.5	2	2		
34	91258-KZ3-B01	O-RING, 18.8X1.9	2	2		
35	91301-KZ3-731	O-RING, 2.8X1.9	2	2		
36	91310-MJ0-003	O-RING	2	2		
37	91356-MW0-003	O-RING, 37.2X2.4(SHOWA)	2	2		



KSEEF0700

Ref. No.	L.O.N.	(Relative ref. Number) Description	F.R.T.
2	711115	SHOE(PAD) SET, BRAKE :FRONT ..	0.1
5		(1)	
	7111D1	PISTON, FRONT BRAKE CALIPER ..	0.5
		.INCLUDES: Bleed brakes	
7	7111G0	BRACKET, FRONT CALIPER	0.2
13	711130	CALIPER, FRONT BRAKE	0.4
		.INCLUDES: Bleed brakes	

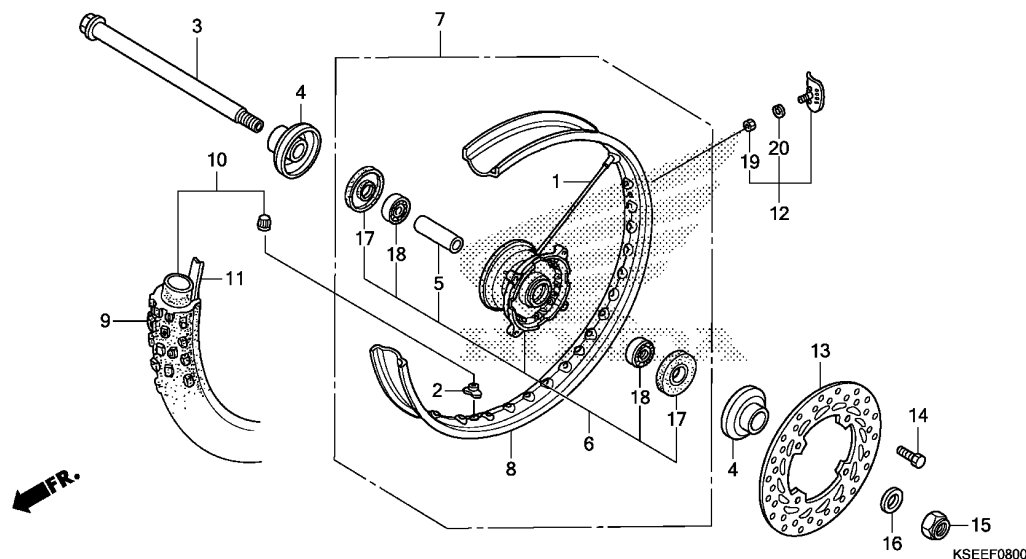
Ref. No.	Part No.	Description	Reqd. QTY		Serial No.	Parts catalogue code
			CRF150 RD	RBD		
1	06451-166-405	SEAL SET, PISTON	1	1		
2	06455-KSE-016	PAD SET, FR.	1	1		
3	43352-568-003	SCREW, BLEEDER(NISSIN)	1	1		
4	43353-461-771	CAP, BLEEDER	1	1		
5	45107-166-006	PISTON	1	1		
6	45108-166-006	SPRING, PAD	1	1		
7	45110-KSE-006	BRACKET, L. FR.	1	1		
8	45115-GE3-602	PIN, SLIDE	1	1		
9	45131-GZ0-006	BOLT, PIN	1	1		
10	45132-166-016	BOOT, PIN BUSH(NISSIN)	1	1		
11	45133-166-016	BOOT, PIN	1	1		
12	45134-GE3-601	DUST PLUG	1	1		
13	45150-KSE-006	CALIPER SUB ASSY., L. FR. ...	1	1		
14	45215-GC4-602	PIN, HANGER	2	2		
15	45216-166-006	WASHER, WAVE	1	1		
16	45218-166-006	WASHER, CONICAL SPRING	1	1		
17	90131-KW6-840	BOLT, FLANGE, 8X32	2	2		



F-8

FRONT WHEEL

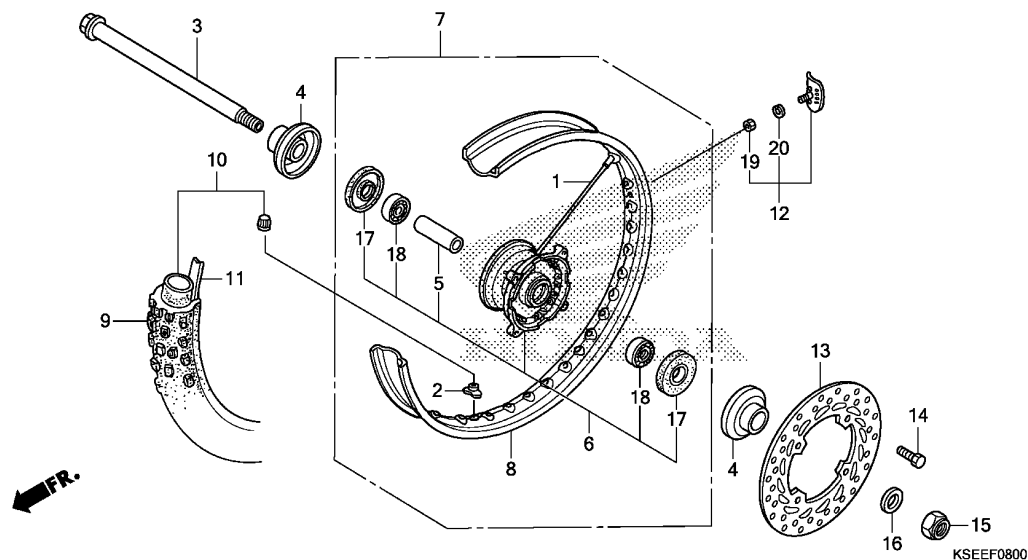
F 9



Ref. No.	L.O.N.	(Relative ref. Number) Description	F.R.T.
3		(17)	
710151		AXLE, FRONT WHEEL	0.2
6		(1)	
710103		HUB, FRONT WHEEL	2.3
7101D4		FRONT WHEEL	0.8
710109		RIM, WHEEL :FRONT	2.2
9		(11)	
710139		FRONT TIRE(ONE)	0.7
10		(11)	
710140		TUBE, FRONT TIRE(ONE)	0.7
7101120		DISC, FRONT BRAKE	0.3
710115		BEARING, FRONT WHEEL(ONE)	0.4
710115G		.Replace 1 bearing add	0.1

3

Ref. No.	Part No.	Description	Reqd. QTY		Serial No.	Parts catalogue code
			CRF150 RD	RBD		
1	06440-KSE-670	SPOKE SET A, FR.	28	-		
	06440-KSE-840	-	28		
2	42714-KA3-710	CAP, VALVE	1	1		
3	44301-KSE-000	AXLE, FR. WHEEL	1	1		
4	44312-KSE-000	COLLAR COMP., FR. WHEEL SIDE ..	2	2		
5	44620-KSE-000	COLLAR, FR. WHEEL DISTANCE ..	1	1		
6	44635-KSE-670	HUB SUB ASSY., FR.	1	1		
7	44650-KSE-670	WHEEL SUB ASSY., FR.	1	-		
	44650-KSE-840	-	1		
8	44701-KSE-671	RIM, FR. WHEEL	1	-		
	44701-KSE-841	-	1		
9	44711-GS2-771	TIRE, FR.(BRIDGESTONE) (70/100-17 40M M23)	1	-	-----	ED
	44711-GS2-752	TIRE, FR.(INOUE) (70/100-17 40M M68)	1	-	-----	U
	44711-GBF-871	TIRE, FR.(BRIDGESTONE) (70/100-19 42M M61)	-	1		
10	44712-GC4-601	TUBE, TIRE(BRIDGESTONE) (70/100-17)	1	-	-----	ED
	44712-GC4-611	TUBE, TIRE(70/100-17)(INOUE)	1	-	-----	U
	44712-GBF-871	TUBE, TIRE(BRIDGESTONE) (70/100-19)	-	1		
11	44713-GC4-003	FLAP, TIRE(1.85-17) (BRIDGESTONE)	1	-	-----	ED
	42713-001-000	FLAP, TIRE(IRC)(17X1.20)	1	-	-----	U
	44713-110-003	FLAP, TIRE(1.40-19) (BRIDGESTONE)	-	1		

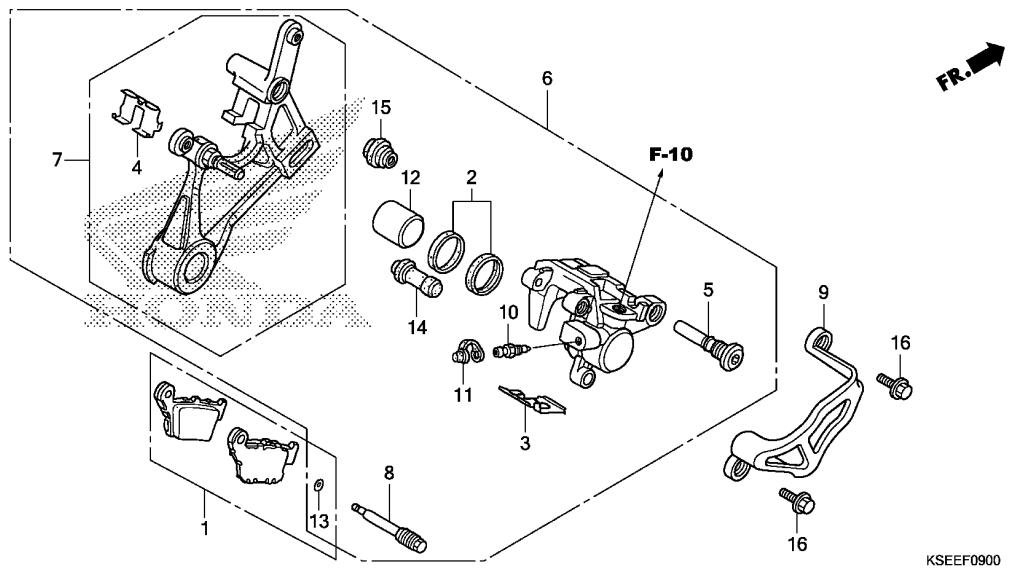


Ref. No.	Part No.	Description	Reqd. QTY		Serial No.	Parts catalogue code
			CRF150 RD	RBD		
12	44715-GC4-000	STOPPER, BEAD(1.40)	1	1		
13	45351-KSE-000	DISK, FR. BRAKE	1	1		
14	90105-KAE-870	BOLT, DISK, 6X17	4	4		
15	90305-197-013	NUT, U, 14MM	1	1		
16	90510-KY1-000	WASHER, PLAIN, 15MM	1	1		
17	90745-GC4-701	DUST SEAL, 32X21X5(NOK)	2	2		
18	91052-KSE-003	BEARING, RADIAL BALL, 6002 ..	2	2		
19	94001-08000-0S	NUT, HEX., 8MM	1	1		
20	94111-08000	WASHER, SPRING, 8MM	1	1		

F-9

REAR BRAKE CALIPER

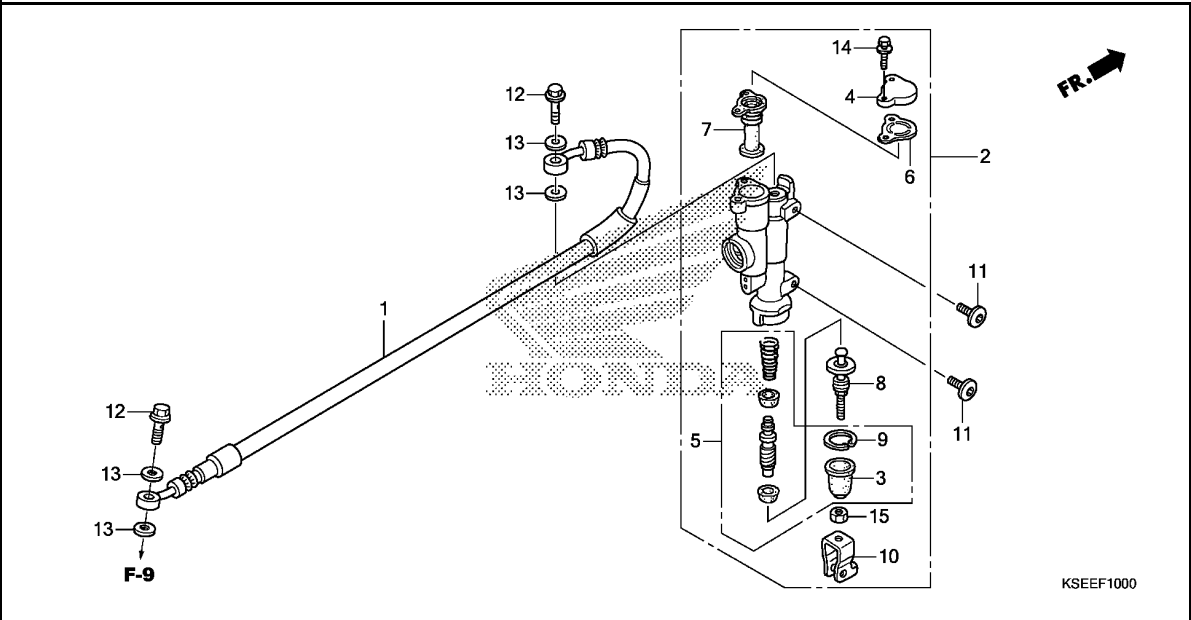
F11



Ref. No.	L.O.N.	(Relative ref. Number) Description	F.R.T.
1	711140	SHOE(PAD) SET, BRAKE :REAR ...	0.1
6	711155	CALIPER, REAR BRAKEINCLUDES: Bleed brakes	0.5
7	7111C1	BRACKET, REAR CALIPER	0.4
9	7111C9	GUARD, REAR CALIPER	0.1
12	7111D5	PISTON, REAR BRAKE CALIPERINCLUDES: Bleed brakes	0.6

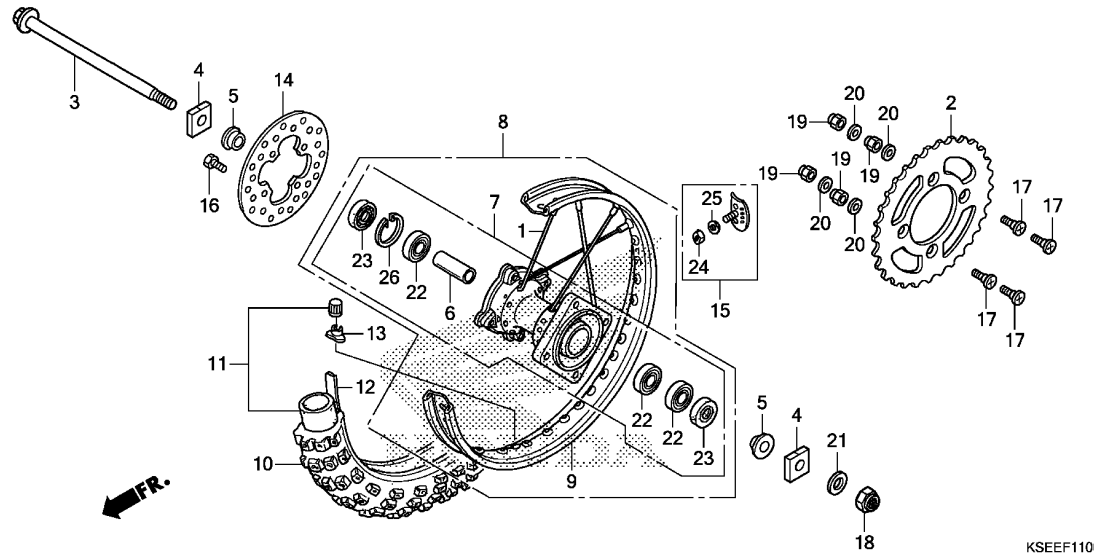
3

Ref. No.	Part No.	Description	Reqd. QTY		Serial No.	Parts catalogue code
			CRF150 RD	RBD		
1	06435-KRN-712	PAD SET, RR.	1	1		
2	06451-MZ2-405	SEAL SET, PISTON	1	1		
3	43108-KZ4-J41	SPRING, PAD	1	1		
4	43112-KZ4-J41	RETAINER, BRACKET	1	1		
5	43131-KW3-006	BOLT, PIN	1	1		
6	43150-KSE-006	CALIPER SUB ASSY., RR. BRAKE	1	1		
7	43190-KSE-006	BRACKET SUB ASSY., RR.	1	1		
8	43215-KZ4-J41	PIN, HANGER	1	1		
9	43340-MEY-000ZA	GUARD, RR. CALIPER *TNATURAL*.....NATURAL	1	1		
10	43352-568-003	SCREW, BLEEDER(NISSIN)	1	1		
11	43353-461-771	CAP, BLEEDER	1	1		
12	45107-MCT-006	PISTON(22 A)	1	1		
13	45111-MAJ-G41	RING, STOPPER	1	1		
14	45132-166-016	BOOT, PIN BUSH(NISSIN)	1	1		
15	45133-MA3-006	BOOT B	1	1		
16	90004-GHB-600	BOLT, FLANGE, 6X10(NSHF)	2	2		



Ref. No.	L.O.N.	(Relative ref. Number) Description	F.R.T.
1	712130	HOSE, REAR BRAKEINCLUDES: Bleed brakes	0.6
2	712125	CYLINDER, REAR BRAKE MASTER .. .INCLUDES: Bleed brakes	0.4
5	7121H0	PISTON SET, REAR BRAKE MASTER .INCLUDES: Bleed brakes	0.5
7	7121G7	DIAPHRAGM, REAR BRAKE MASTER CYLINDER	0.1

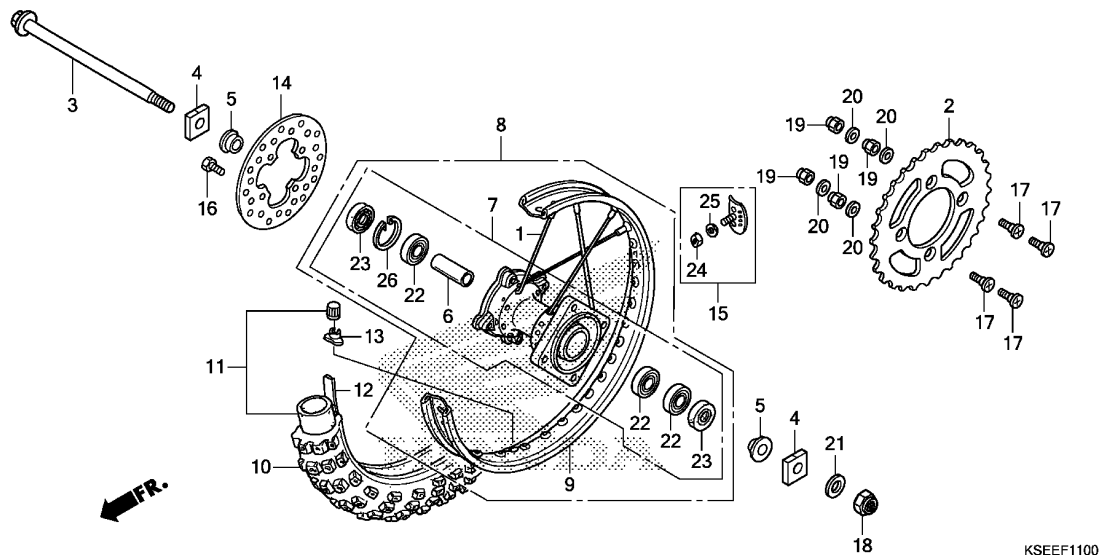
Ref. No.	Part No.	Description	Reqd. QTY		Serial No.	Parts catalogue code
			CRF150 RD	RBD		
1	43310-KSE-003	HOSE COMP., RR. BRAKE	1	-		
	43310-KSE-841	-	1		
2	43500-KSE-016	CYLINDER ASSY., RR. BRAKE MASTER	1	1		
3	43504-MB2-006	BOOT COMP.	1	1		
4	43513-KZ4-J41	CAP, MASTER CYLINDER	1	1		
5	43520-KSE-016	PISTON SET, MASTER CYLINDER ..	1	1		
6	43521-KZ4-J41	PLATE, DIAPHRAGM	1	1		
7	43522-KZ4-J41	DIAPHRAGM	1	1		
8	43530-KZ4-J41	ROD COMP., PUSH	1	1		
9	46182-MEL-D21	CIRCLIP	1	1		
10	46504-KZ4-J41	JOINT, BRAKE ROD	1	1		
11	90106-KSE-000	SCREW, PAN, 6X12	2	2		
12	90145-MS9-612	BOLT, OIL, 10X22	2	2		
13	90545-300-000	WASHER, OIL BOLT	4	4		
14	93401-04016-00	BOLT-WASHER, 4X16	2	2		
15	94002-06000-0S	NUT, HEX., 6MM	1	1		



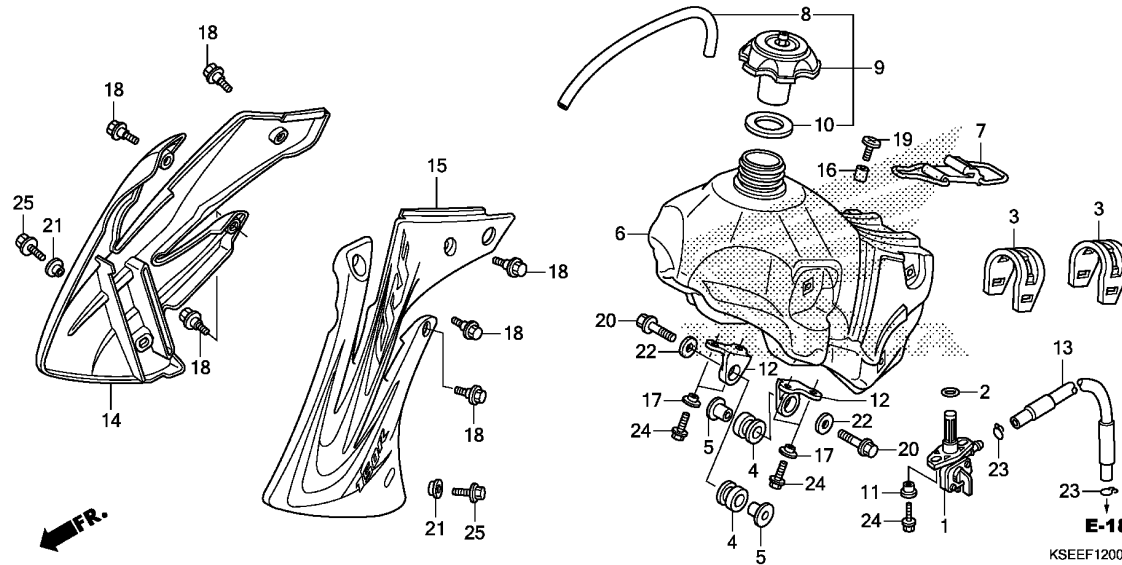
Ref. No.	L.O.N.	(Relative ref. Number) Description	F.R.T.
2	7101A0	SPROCKET, FINAL DRIVEN	0.4
3		(23)	
7	710160	AXLE, REAR WHEEL	0.3
		(1)	
7	710121	HUB, REAR WHEEL	2.4
8	710118	REAR WHEEL	0.9
9	710127	RIM, WHEEL :REAR	2.3
10		(12)	
11	710142	REAR TIRE(ONE)	0.8
		(12)	
11	7101A7	TUBE, REAR TIRE(ONE)	0.8
14	711145	DISC, REAR BRAKE	0.4
22	710133	BEARING, REAR WHEEL(ONE)	0.5
	710133G	.Replace 1 bearing add	0.1
	710133A	.Replace 2 bearings add	0.2

KSEEF1100

Ref. No.	Part No.	Description	Reqd. QTY		Serial No.	Parts catalogue code
			CRF150 RD	RBD		
1	06420-KSE-670	SPOKE SET, RR.	32	-		
	06420-KSE-840		-	32		
2	41201-GBF-830	SPROCKET, FINAL(49T)(SUNSTAR)	(1)	-		
	41201-GBF-K00	SPROCKET, FINAL(50T)(SUNSTAR)	(1)	-		
	41201-KSE-670	SPROCKET, FINAL DRIVEN(50T)	1	-		
	41203-GBF-830	SPROCKET, FINAL(51T)(SUNSTAR)	(1)	-		
	41201-GBF-860	SPROCKET, FINAL(55T)(SUNSTAR)	-	(1)		
	41201-GBF-K10	SPROCKET, FINAL(56T)(SUNSTAR)	-	(1)		
	41201-KSE-840	SPROCKET, FINAL DRIVEN(56T)	-	1		
	41202-GBF-860	SPROCKET, FINAL(57T)(SUNSTAR)	-	(1)		
3	42301-KSE-000	AXLE, RR. WHEEL	1	1		
4	42305-KSE-000	COLLAR, RR. AXLE	2	2		
5	42311-KSE-000	COLLAR, RR. WHEEL SIDE	2	2		
6	42620-KSE-000	COLLAR, RR. WHEEL DISTANCE	1	1		
7	42635-KSE-670	HUB SUB ASSY., RR.	1	1		
8	42650-KSE-670	WHEEL SUB ASSY., RR.	1	-		
	42650-KSE-840		-	1		
9	42701-KSE-671	RIM, RR. WHEEL	1	-		
	42701-KSE-841		-	1		
10	42711-GS2-771	TIRE, RR.(BRIDGESTONE)				
		(90/100-14 49M M22)	1	-	-----	ED
	42711-GS2-752	TIRE, RR.(INOUE)				
		(90/100-14 49M M5C)	1	-	-----	U
	42711-GBF-871	TIRE, RR.(BRIDGESTONE)				
		(90/100-16 52M M58)	-	1		
11	42712-GC4-601	TUBE, TIRE(BRIDGESTONE)				
		(90/100-14)	1	-	-----	ED

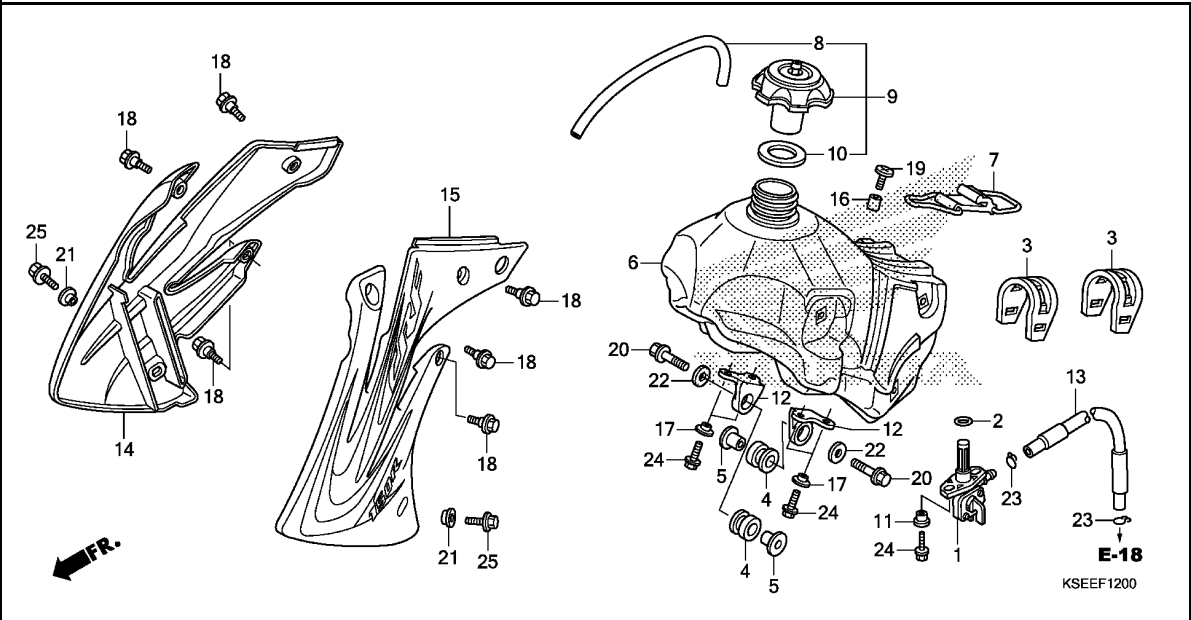


Ref. No.	Part No.	Description	Reqd. QTY		Serial No.	Parts catalogue code
			CRF150 RD	RBD		
11)	42712-GC4-611	TUBE, TIRE(90/100-14) (INOUE)	1	-	----- U	
	42712-GBF-871	TUBE, TIRE(BRIDGESTONE)	-	1		
		(90/100-16)	-	1		
12	42713-GC4-003	FLAP, TIRE(BRIDGESTONE)	1	-	----- ED	
		(1.60-14)	1	-	----- U	
	42713-116-671	FLAP, RR. TUBE(IRC)	1	-	----- U	
	44713-118-003	FLAP, TIRE(BRIDGESTONE)	-	1		
		(1.85X16)	-	1		
13	42714-KA3-710	CAP, VALVE	1	1		
14	43351-KSE-000	DISK, RR. BRAKE	1	1		
15	44715-MA0-770	STOPPER, BEAD(1.60)	1	-		
	42715-KA2-680	STOPPER, BEAD(1.85)	-	1		
16	90105-KAE-870	BOLT, DISK, 6X17	4	4		
17	90125-KA4-000	SCREW, FLAT, 8X31	4	4		
18	90305-GW2-711	NUT, U, 16MM	1	1		
19	90309-ML3-791	NUT, U, 8MM(FUSE RASHI)	4	4		
20	90465-MC4-000	WASHER, 8MM	4	4		
21	90501-GBM-750	WASHER, 16MM	1	1		
22	91051-KSE-003	BEARING, RADIAL BALL, 6003	3	3		
23	91205-VM6-003	DUST SEAL, 23X35X7	2	2		
24	94001-08000-OS	NUT, HEX., 8MM	1	1		
25	94111-08000	WASHER, SPRING, 8MM	1	1		
26	94520-35000	CIRCLIP, INTERNAL, 35MM	1	1		



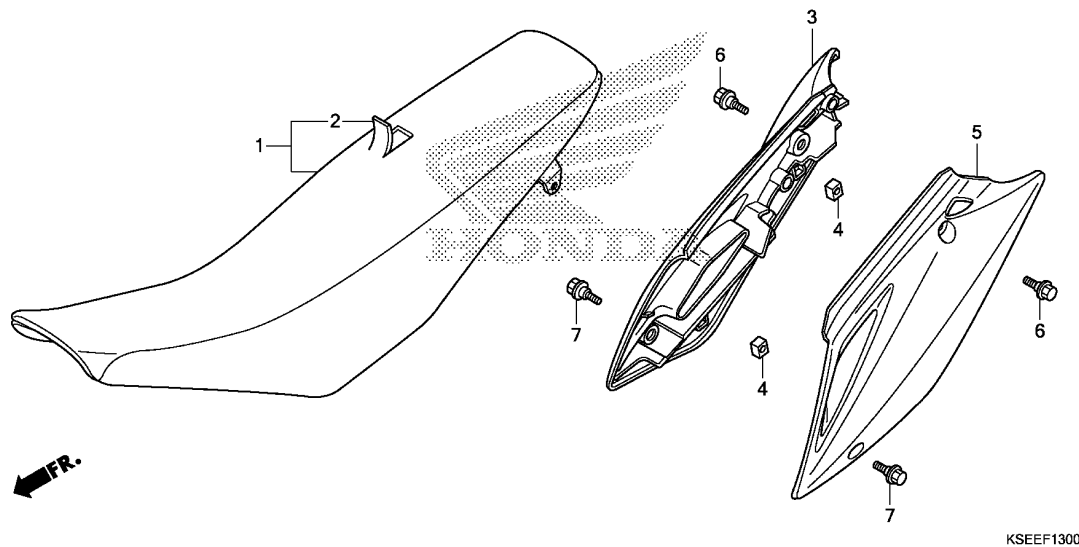
Ref. No.	L.O.N.	(Relative ref. Number) Description	F.R.T.
1	310110	COCK ASSY., FUEL	0.2
6	310100	TANK, FUEL	0.3
14	1151A0	SHROUD, RADIATOR :RIGHT	0.1
15	115126	SHROUD, RADIATOR :LEFT	0.1
	1151A5	SHROUD, RADIATOR :BOTH	0.1

Ref. No.	Part No.	Description	Reqd. QTY		Serial No.	Parts catalogue code
			CRF150 RD	RBD		
1	16950-KSE-003	COCK ASSY., FUEL	1	1		
2	16997-467-000	O-RING, 11.8X3.55	1	1		
3	17506-KZ3-860	RUBBER, FUEL TANK SETTING ...	2	2		
4	17508-GBF-830	RUBBER, TANK MOUNTING	2	2		
5	17509-KSE-000	COLLAR, TANK SET	2	2		
6	17510-KSE-000	TANK COMP., FUEL	1	1		
7	17516-KT0-670	BAND, RR. TANK	1	1		
8	17521-429-000	TUBE, FUEL CAP BREATHER	1	1		
9	17620-ML3-600	CAP ASSY., FUEL TANK	1	1		
10	17624-KA4-000	PACKING, FUEL TANK CAP	1	1		
11	17626-467-000	COLLAR, FUEL TANK SETTING ...	2	2		
12	17634-KZ3-860	BRACKET, FR. FUEL TANK	2	2		
13	17681-KSE-000	TUBE, FUEL	1	1		
14	19071-KSE-A70ZA	SHROUD SET, R. RADIATOR(WL) *TYPE1*.....	1	1		
15	19072-KSE-A70ZA	SHROUD SET, L. RADIATOR(WL) *TYPE1*.....	1	1		
16	83607-356-000	COLLAR, BATTERY LOWER	1	1		
17	84706-415-000	COLLAR	4	4		
18	90113-GFO-000	BOLT, FLANGE, 6MM	6	6		
19	90124-MM9-000	SCREW, LOWER COWL SETTING ...	1	1		
20	90137-KA3-830	BOLT, FLANGE, 6X40	2	2		
21	90501-KZ4-J20	COLLAR A	2	2		
22	90506-430-000	WASHER, FENDER MOUNTING	2	2		
23	95002-02120	CLIP, TUBE(B12)	2	2		



Ref. No.	Part No.	Description	Reqd. QTY		Serial No.	Parts catalogue code
			CRF150 RD	RBD		

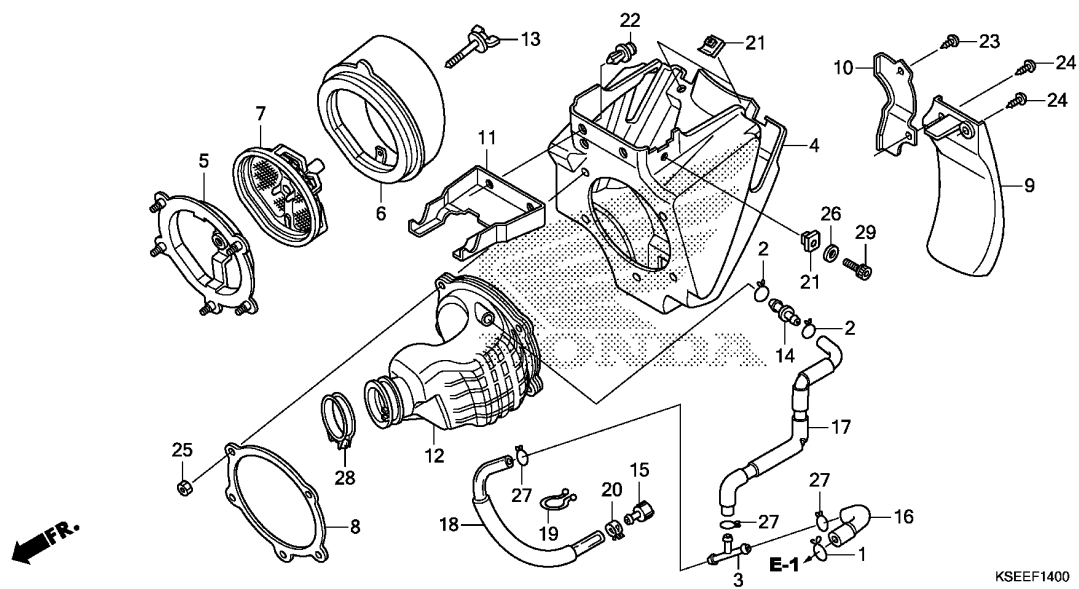
24	96001-06016-00	BOLT, FLANGE, 6X16	6	6		
25	96001-06018-00	BOLT, FLANGE, 6X18	2	2		



Ref. No.	L.O.N.	(Relative ref. Number) Description	F.R.T.
1	413150	SEAT	0.1
3	4111H9	COVER, SIDE :RIGHT	0.1
5	4111H8	COVER, SIDE :LEFT	0.1
	4111J0	COVER, SIDE :BOTH	0.1

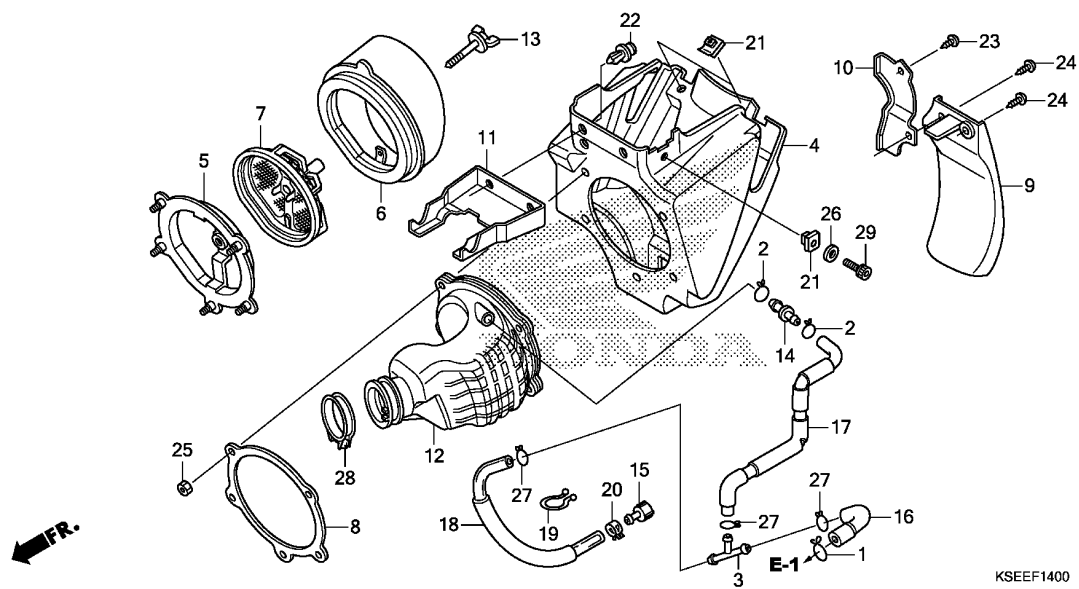
3

Ref. No.	Part No.	Description	Reqd. QTY		Serial No.	Parts catalogue code
			CRF150 RD	RBD		
1	77100-KSE-A30	SEAT COMP.	1	1		
2	77101-KSE-A30	LEATHER COMP., SEAT (NO LETTERS PRINTED)	1	1		
3	83510-KSE-000ZA	COVER, R. SIDE *NH196*.....ROSS WHITE	1	1		
4	83515-KS7-830	RUBBER, SIDE COVER STOPPER ..	2	2		
5	83610-KSE-000ZA	COVER, L. SIDE *NH196*.....ROSS WHITE	1	1		
6	90102-MEN-710	BOLT, SPECIAL, 8MM	2	2		
7	90111-162-000	BOLT, FLANGE, 6MM	2	2		



Ref. No.	L.O.N.	(Relative ref. Number) Description	F.R.T.
4	3121A5	CASE, AIR CLEANER	0.5
5	(8)		
	3121C6	STAY, AIR CLEANER ELEMENT	0.5
6	312105	ELEMENT, AIR CLEANER	0.2
7	3121A8	BASE, AIR CLEANER ELEMENT	0.1
9	4131A0	MUDGUARD, AIR CLEANER CASE ...	0.1
12	3121B6	TUBE, AIR CLEANER CONNECTING .	0.5

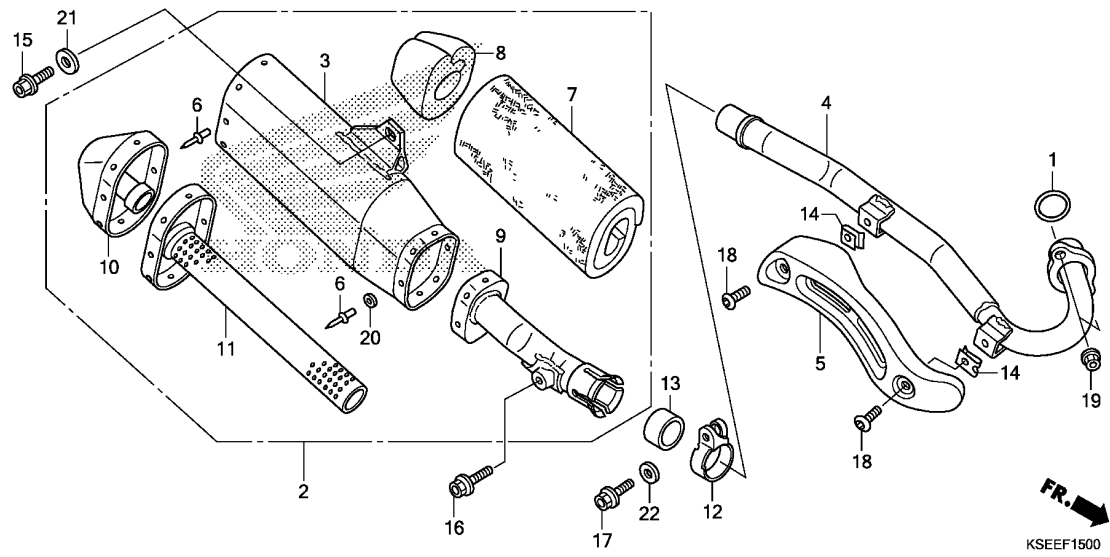
Ref. No.	Part No.	Description	Reqd. QTY		Serial No.	Parts catalogue code
			CRF150 RD	RBD		
1	15707-634-000	CLIP, OIL DRAIN TUBE	1	1		
2	15771-551-000	CLIP, OIL DRAIN TUBE	2	2		
3	16959-MY1-000	JOINT, FUEL TUBE	1	1		
4	17210-KSE-000	CASE, AIR CLEANER	1	1		
5	17212-KSE-000	STAY, AIR CLEANER ELEMENT ...	1	1		
6	17213-KSE-000	ELEMENT, AIR CLEANER	1	1		
7	17214-KSE-000	BASE ASSY., ELEMENT	1	1		
8	17217-KSE-000	PLATE, FR. CASE	1	1		
9	17220-KSE-000	MUDGUARD, AIR CLEANER	1	1		
10	17221-KSE-000	GUARD, AIR CLEANER	1	1		
11	17223-KSE-000	VISOR, AIR CLEANER CASE	1	1		
12	17253-KSE-000	TUBE, AIR CLEANER CONNECTING	1	1		
13	17291-GBF-830	BOLT, ELEMENT SETTING	1	1		
14	17359-MAG-L00	JOINT, BREATHER TUBE	1	1		
15	17370-419-700	PLUG, BREATHER TUBE	1	1		
16	17372-KSE-000	TUBE A, BREATHER	1	1		
17	17373-KSE-000	TUBE B, BREATHER	1	1		
18	17375-KSE-000	TUBE C, BREATHER	1	1		
19	32171-GF9-621	LOCK, PURSE	1	1		
20	43514-KS6-701	CLAMP, MASTER CYLINDER OIL	1	1		
		HOSE	1	1		
21	84601-HA7-670	NUT, FENDER SETTING	3	3		
22	90653-HC4-900	CLIP, MUDGUARD	2	2		
23	93913-15280	SCREW, TAPPING, 5X12(PO)	1	1		
24	93913-15410	SCREW, TAPPING, 5X16(PO)	2	2		



Ref. No.	Part No.	Description	Reqd. QTY		Serial No.	Parts catalogue code
			CRF150 RD	RBD		
25	94002-05000-0S	NUT, HEX., 5MM	5	5		
26	94101-06000	WASHER, PLAIN, 6MM	1	1		
27	95002-02120	CLIP, TUBE(B12)	3	3		
28	95018-52201	BAND, AIR CLEANER CONNECTING TUBE(52)	1	1		
29	96600-06014-00	BOLT, SOCKET, 6X14	1	1		

F-15

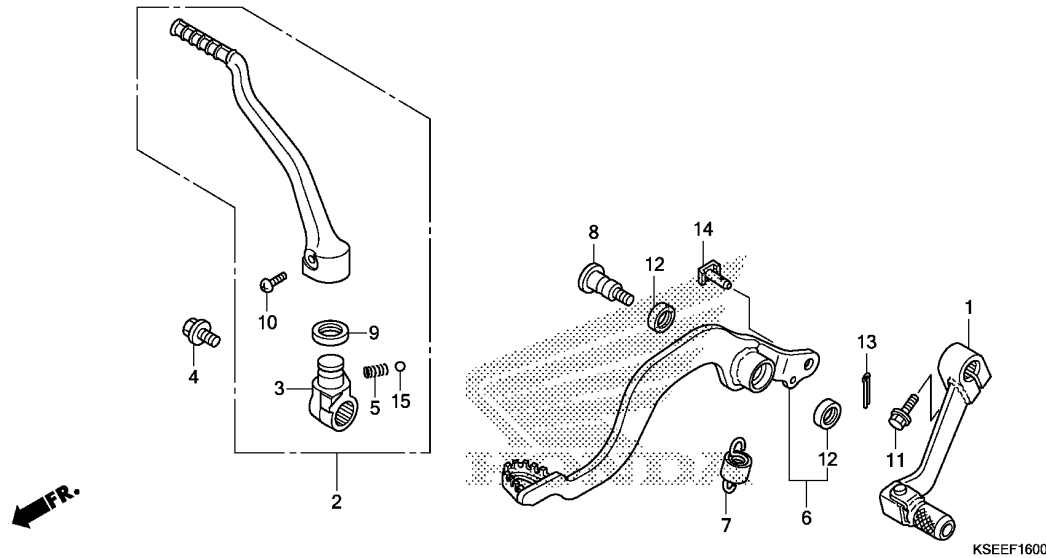
EXHAUST MUFFLER



Ref. No.	L.O.N.	(Relative ref. Number) Description	F.R.T.
1	3131B4	GASKET, EXHAUST PIPE (13)	0.2
2	313120	MUFFLER	0.1
3	3131F0	BODY, MUFFLER	1.0
4	313110	PIPE, EXHAUST	0.2
5	3131A6	PROTECTOR, EXHAUST PIPE (8)	0.1
7	3131C3	WOOL, GLASS	0.6
9	3131K1	BODY, MUFFLER :FRONT (11)	0.5
10	3131J6	BODY, MUFFLER :REAR	0.6

Ref. No.	Part No.	Description	Reqd. QTY		Serial No.	Parts catalogue code
			CRF150 RD	RBD		
1	18291-KZ1-670	GASKET, EX. PIPE	1	1		
2	18310-KSE-E30	MUFFLER COMP.(94DB)	1	1		
3	18313-KSE-E30	BODY, MUFFLER(94DB)	1	1		
4	18320-KSE-000	PIPE COMP., EX.	1	1		
5	18323-KSE-A50	PROTECTOR, EX. PIPE	1	1		
6	18324-MEB-670	RIVET, BLIND, 4.8	14	14		
7	18336-KSE-E30	PACK A, GLASS WOOL	1	1		
8	18345-KSE-300	PACK B, GLASS WOOL	1	1		
9	18350-KSE-000	MUFFLER COMP., FR.	1	1		
10	18351-KSE-E30	MUFFLER COMP., RR.(94DB)	1	1		
11	18352-KSE-E30	MUFFLER COMP., MIDDLE	1	1		
12	18373-MG7-701	BAND, R. MUFFLER	1	1		
13	18392-MK4-000	PACKING, MUFFLER	1	1		
14	19508-KA3-710	NUT, SPRING, 6MM	2	2		
15	90123-KZ4-J40	BOLT, FLANGE, 8X18	1	1		
16	90123-MEN-670	BOLT, FLANGE, 8X16	1	1		
17	90124-KZ4-J40	BOLT, FLANGE, 8X35	1	1		
18	90170-MEB-670	BOLT, SPECIAL, 6MM	2	2		
19	90355-427-770	NUT, FLANGE, 7MM	2	2		
20	94101-05000	WASHER, PLAIN, 5MM	6	6		
21	94101-08000	WASHER, PLAIN, 8MM	1	1		
22	94102-08800	WASHER, PLAIN, 8MM	1	1		

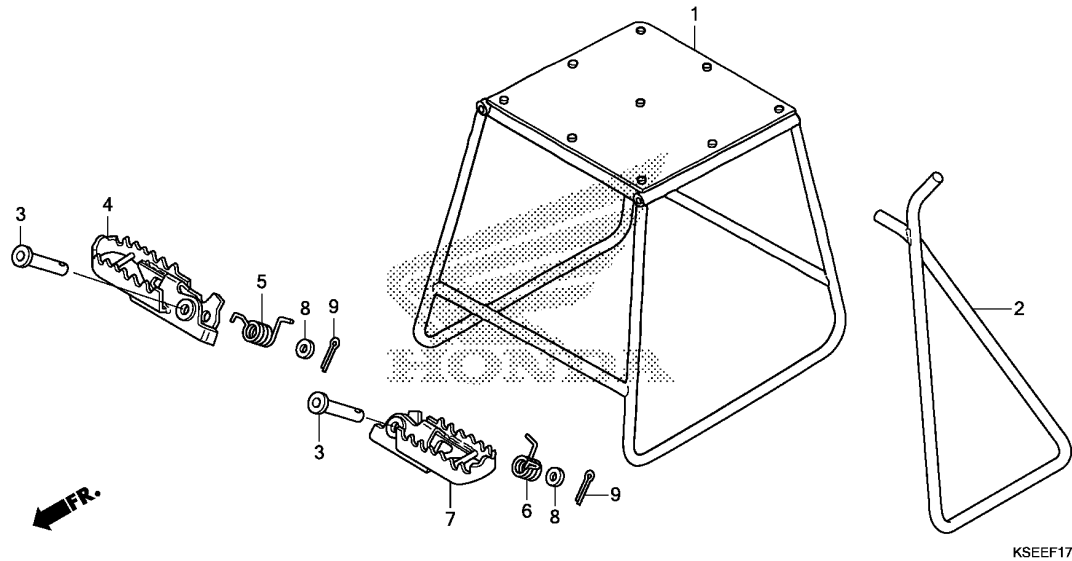




Ref. No.	L.O.N.	(Relative ref. Number) Description	F.R.T.
1	4101A1	PEDAL, GEAR CHANGE	0.1
2	112107	ARM, KICK STARTER	0.1
6	810160	PEDAL, REAR BRAKE	0.2

3

Ref. No.	Part No.	Description	Reqd. QTY		Serial No.	Parts catalogue code
			CRF150 RD	RBD		
1	24700-KSE-000	PEDAL COMP., CHANGE	1	1		
2	28300-KSE-000	ARM ASSY., KICK STARTER	1	1		
3	28302-KSE-000	JOINT, KICK ARM	1	1		
4	28306-KAE-000	BOLT, KICK JOINT	1	1		
5	28333-KK0-000	SPRING, KICK STARTER	1	1		
6	46510-KSE-010	PEDAL COMP., BRAKE	1	1		
7	46511-KZ4-J00	SPRING ASSY., RR. BRAKE RETURN	1	1		
8	46513-KSR-710	SHAFT, BRAKE PIVOT	1	1		
9	46525-KK0-003	DUST SEAL, 17X20X2.5	1	1		
10	90103-KSE-000	BOLT, KICK ARM, 6X25	1	1		
11	90118-968-000	BOLT, FLANGE, 6X20	1	1		
12	91251-444-000	DUST SEAL, 15X20X2.5	2	2		
13	94201-20120	PIN, SPLIT, 2.0X12	1	1		
14	95015-54000	PIN D, JOINT	1	1		
15	96211-08000	BALL, STEEL, #8(1/4)	1	1		



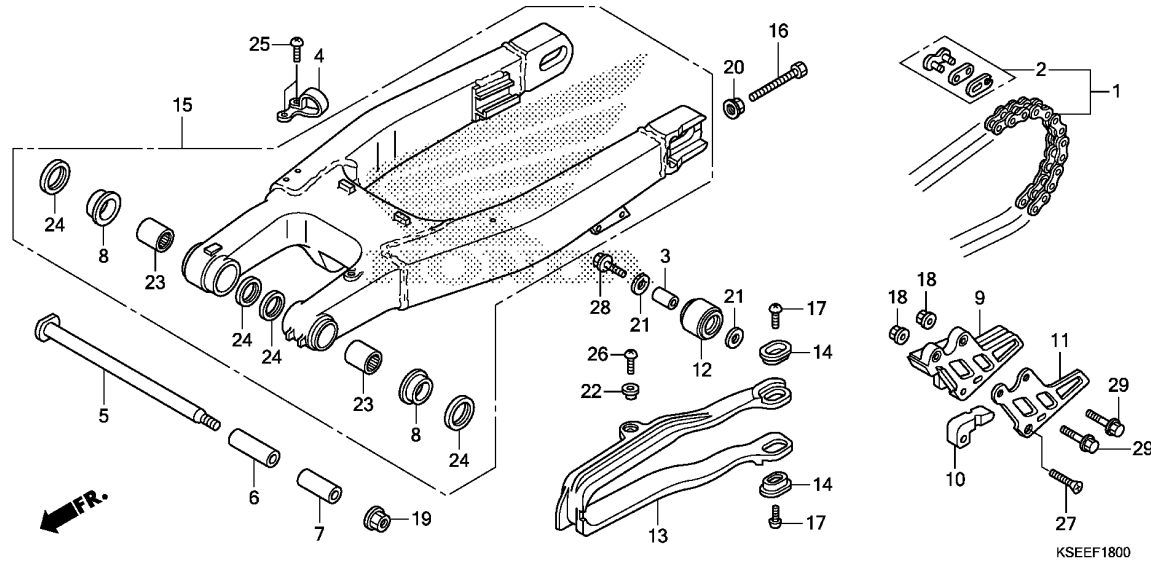
Ref. No.	L.O.N.	(Relative ref. Number) Description	F.R.T.
4	(5)		
4101C6		BAR, MAIN STEP :RIGHT	0.1
7	(6)		
4101C5		BAR, MAIN STEP :LEFT	0.1
4101J1		BAR, MAIN STEP :BOTH	0.2

Ref. No.	Part No.	Description	Reqd. QTY		Serial No.	Parts catalogue code
			CRF150 RD	RBD		
1	50500-KA3-820	STAND COMP., MAIN	(1)	(1)		
2	50530-GBF-830	BAR, SIDE STAND	1	1		
3	50603-KA3-710	PIN, STEP JOINT	2	2		
4	50616-KSE-000	STEP COMP., R.	1	1		
5	50617-KZ4-J40	SPRING, R. STEP RETURN	1	1		
6	50618-KZ4-J40	SPRING, L. STEP RETURN	1	1		
7	50642-KSE-000	STEP COMP., L.	1	1		
8	94102-10000	WASHER, PLAIN, 10MM	2	2		
9	94201-20180	PIN, SPLIT, 2.0X18	2	2		

F-18

SWINGARM

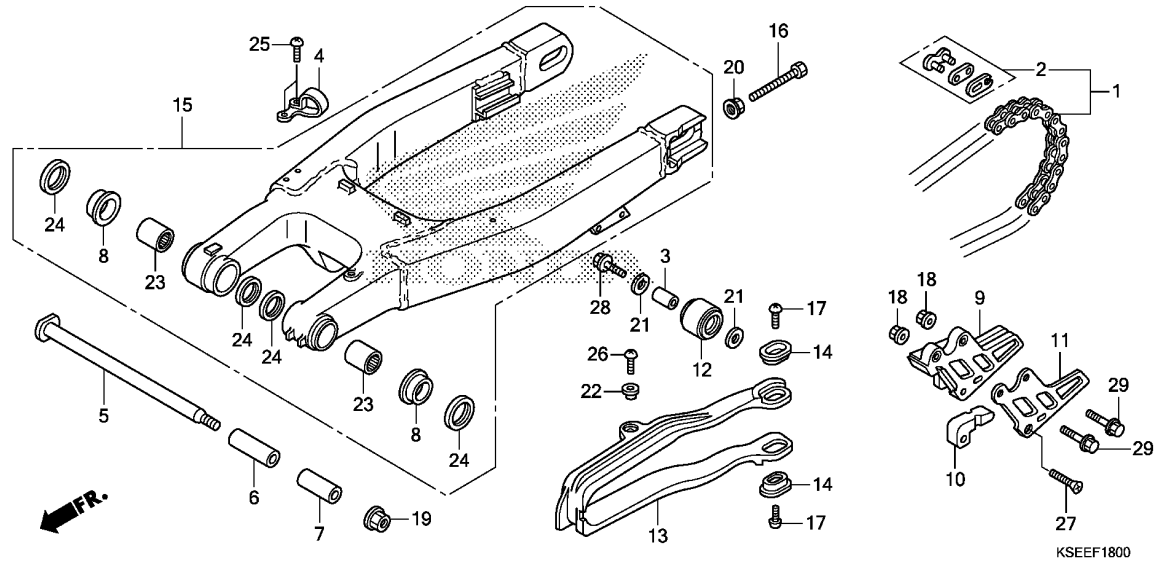
G 7



Ref. No.	L.O.N.	(Relative ref. Number) Description	F.R.T.
1	213165	CHAIN, DRIVE	0.2
6	5121B2	COLLAR, SWINGARM PIVOT :RIGHT	0.7
7	5121B1	COLLAR, SWINGARM PIVOT :LEFT	0.7
	5121G8	COLLAR, SWINGARM PIVOT :BOTH	0.7
10		(9,11)	
	4101E2	GUIDE, DRIVE CHAIN	0.1
12	4101E4	ROLLER, CHAIN TENSIONER	0.1
13	4101E5	SLIDER, CHAIN	0.3
15	5121B0	SWINGARM ASSEMBLY	0.9
23	5121C8	BEARING, SWINGARM PIVOT :LEFT	1.0
	5121C9	BEARING, SWINGARM PIVOT :RIGHT	1.0
	5121D0	BEARING, SWINGARM PIVOT :BOTH	1.1

Ref. No.	Part No.	Description	Reqd. QTY		Serial No.	Parts catalogue code
			CRF150 RD	RBD		
1	40530-KSE-671	CHAIN, DRIVE(DID420DS3-120RB)	1	-		
	40540-KSE-003	CHAIN, DRIVE(DID420DS3-130RB) (STANDARD LINK 120L)	1	-		
	40530-KSE-841	CHAIN, DRIVE(DID420DS3-126RB)	-	1		
	40540-KSE-003	CHAIN, DRIVE(DID420DS3-130RB) (STANDARD LINK 126L)	-	1		
2	40531-KSE-671	JOINT, DRIVE CHAIN	1	1		
3	43435-392-000	COLLAR, LINK	1	1		
4	43468-MEB-000	GUIDE, RR. BRAKE HOSE	1	1		
5	52101-KSE-000	SHAFT, SWINGARM PIVOT	1	1		
6	52141-GBF-J00	COLLAR, R. SWINGARM	1	1		
7	52142-GBF-J00	COLLAR, L. SWINGARM	1	1		
8	52143-GBF-J00	COLLAR, THRUST PIVOT	2	2		
9	52146-KSE-000	GUIDE, CHAIN	1	1		
10	52147-GM7-701	SLIDER, CHAIN GUIDE	1	1		
11	52147-KSE-000	PLATE, CHAIN GUIDE	1	1		
12	52158-GBF-830	ROLLER, CHAIN TENSIONER	1	1		
13	52170-KSE-000	SLIDER, CHAIN	1	1		
14	52171-KR6-000	WASHER, CHAIN SLIDER	2	2		
15	52200-KSE-000	SWINGARM SUB ASSY., RR.	1	-		
	52200-KSE-840	-	1		
16	90105-MEN-000	BOLT, HEX., 8X47.5	2	2		
17	90115-KV3-700	SCREW, PAN, 5X8	2	2		
18	90301-473-003	NUT, U, 6MM(FUSERASHI)	2	2		
19	90306-KF0-003	NUT, FLANGE, 12MM(FUSERASHI)	1	1		
20	90309-357-000	NUT, HEX., 8MM	2	2		

3

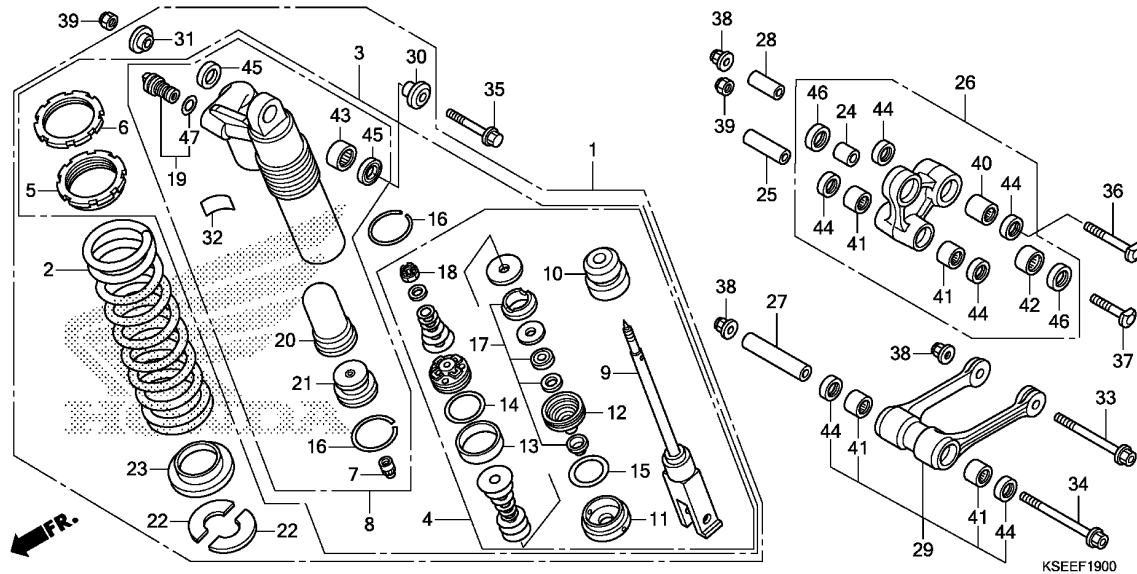


Ref. No.	Part No.	Description	Reqd. QTY		Serial No.	Parts catalogue code
			CRF150 RD	RBD		
21	90485-KSE-000	WASHER, 8MM	2	2		
22	90520-134-000	WASHER, HEADLIGHT CASE SETTING	1	1		
23	91070-GC4-601	BEARING, NEEDLE, 20X26X20 (NTN)	2	2		
24	91254-KS6-003	DUST SEAL, 20X26X4.5 (ARAI) ..	4	4		
25	93500-05008-0A	SCREW, PAN, 5X8	2	2		
26	93500-05010-0G	SCREW, PAN, 5X10	1	1		
27	93600-06040-0A	SCREW, FLAT, 6X40	1	1		
28	95701-08035-00	BOLT, FLANGE, 8X35	1	1		
29	96001-06035-00	BOLT, FLANGE, 6X35	2	2		

F-19

REAR CUSHION

G 9



Ref. No.	L.O.N.	(Relative ref. Number) Description	F.R.T.
1	512115	CUSHION ASSY., REAR (5,6,22,23)	0.5
2	5121B9	SPRING, REAR CUSHION	0.6
3	5121D2	DAMPER, REAR	0.7
4	5121H0	ROD ASSY., REAR DAMPER	1.1
8	5121D9	CASE, DAMPER (10,11,15)	1.1
9	5121E1	ROD, REAR DAMPER (13,14,17)	1.3
12	5121H1	CASE, ROD GUIDE	1.3
19	5121D8	ADJUSTER, COMPRESSION DAMPING FORCE (21)	0.9
20	5121E0	BLADDER (25,28)	0.9
26	512140	ARM, CUSHION (27)	0.5
29	512145	ROD, CUSHION CONNECTING (40,42)	0.3
41	5121D4	BEARING, CUSHION CONNECTING ROD	0.5
	5121D4A	.Replace 1 bearing add	0.1
	512146	BEARING, CUSHION ARM	0.7
	5121D3	BEARING, CUSHION ARM :FOR 1 VEHICLE	1.0

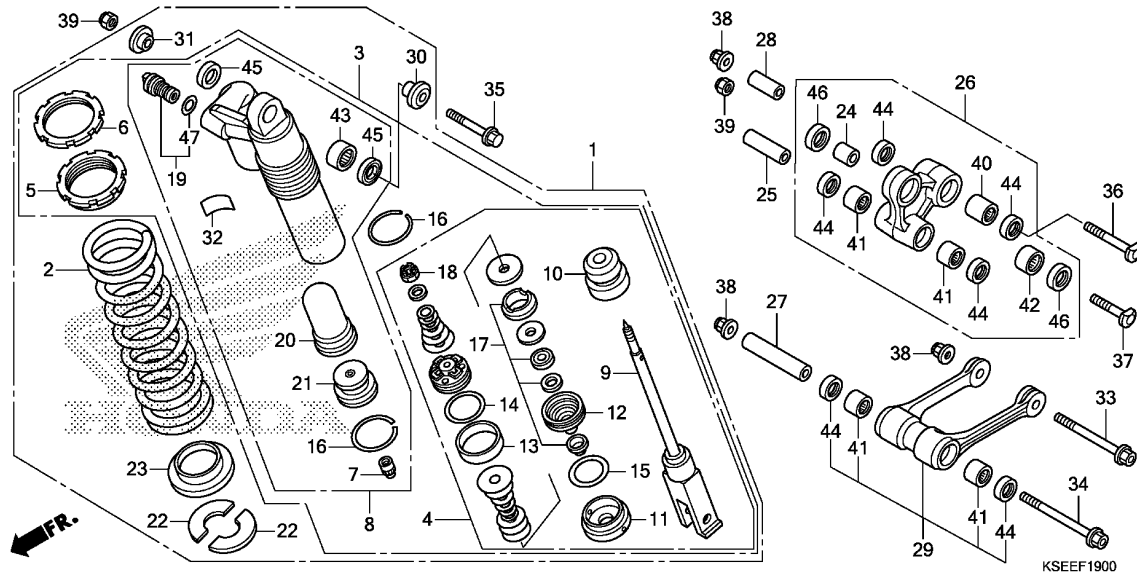
Ref. No.	Part No.	Description	Reqd. QTY		Serial No.	Parts catalogue code
			CRF150 RD	RBD		
1	52400-KSE-E71	CUSHION ASSY., RR.	1	-	-----	ED
	52400-KSE-A71	1	-	-----	U
	52400-KSE-E81	-	1	-----	ED
	52400-KSE-A81	-	1	-----	U
2	52401-KSE-A31	SPRING, RR. CUSHION(SHOWA) (49.ON/MM,5.0KGF/MM)	1	-		
	52401-KSE-A41	SPRING, RR. CUSHION(SHOWA) (51.ON/MM,5.2KGF/MM)	(1)	-		
	52402-KSE-A31	SPRING, RR. CUSHION(SHOWA) (47.ON/MM,4.8KGF/MM)	(1)	-		
	52401-KSE-A31	SPRING, RR. CUSHION(SHOWA) (49.ON/MM,5.0KGF/MM)	-	(1)		
	52401-KSE-A41	SPRING, RR. CUSHION(SHOWA) (51.ON/MM,5.2KGF/MM)	-	1		
	52402-KSE-A41	SPRING, RR. CUSHION(SHOWA) (53.ON/MM,5.4KGF/MM)	-	(1)		
3	52410-KSE-E71	DAMPER COMP., RR.	1	1	-----	ED
	52410-KSE-A71	1	1	-----	U
4	52421-KSE-A71	ROD COMP., PISTON	1	1		
5	52422-MA0-003	ADJUSTER, SPRING	1	1		
6	52423-GBF-831	NUT, ADJUSTER	1	1		
7	52425-381-771	CAP, AIR VALVE	1	1		
8	52425-KSE-E31	CASE COMP., DAMPER	1	1	-----	ED
	52425-KSE-671	1	1	-----	U
9	52426-KSE-A71	ROD COMP.	1	1		
10	52427-GBF-831	RUBBER, STOPPER	1	1		
11	52428-KA4-741	CAP, CASE	1	1		

3

F-19

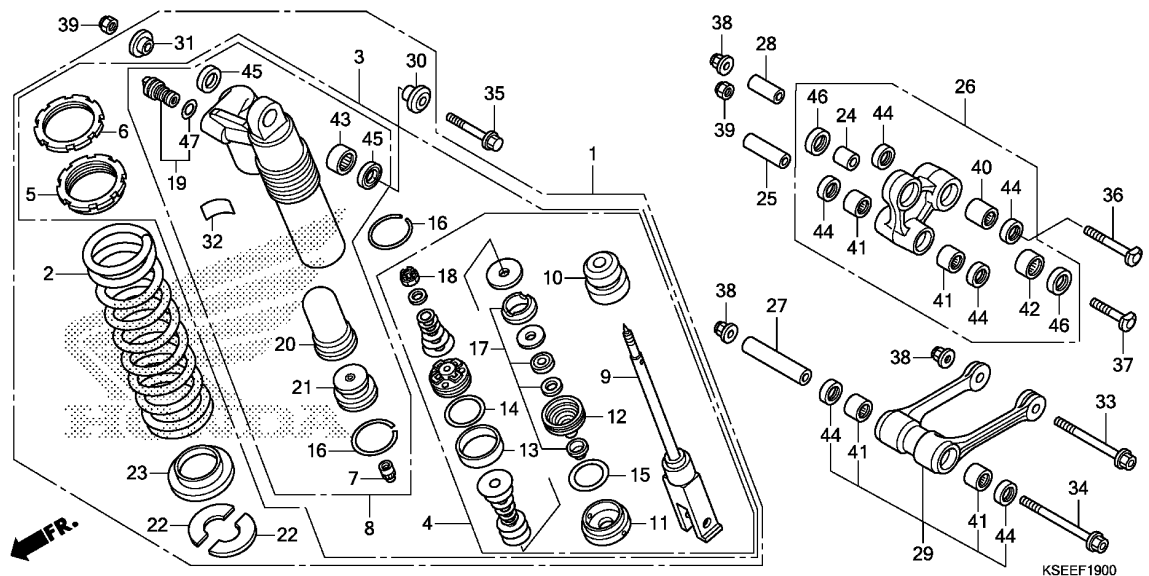
REAR CUSHION

G10



Ref. No.	L.O.N.	(Relative ref. Number) Description	F.R.T.
43	5121D1	BEARING, REAR CUSHION	0.7

Ref. No.	Part No.	Description	Reqd. QTY		Serial No.	Parts catalogue code
			CRF150 RD	RBD		
12	52429-KSE-A71	CASE COMP., ROD GUIDE	1	1		
13	52431-MA0-771	RING, PISTON	1	1		
14	52432-GBF-831	O-RING, 2.0X33.5	1	1		
15	52434-KA3-681	O-RING, 3.5X33.7	1	1		
16	52435-MA0-771	RING, STOPPER	2	2		
17	52436-KSE-680	OIL SEAL SET	1	1		
18	52438-KA4-741	NUT, HEX., 12MM	1	1		
19	52440-GBF-A01	ADJUSTER, COMPRESSION DAMPING FORCE	1	1		
20	52451-GBF-831	DIAPHRAGM	1	1		
21	52453-KSE-671	CAP COMP., CHAMBER	1	1		
22	52455-GBF-831	STOPPER, SPRING SEAT	2	2		
23	52459-GBF-831	SEAT, SPRING	1	1		
24	52462-KSE-000	COLLAR D, CUSHION ARM	1	1		
25	52463-KSE-000	COLLAR B, CUSHION ARM	1	1		
26	52465-KSE-000	ARM SUB ASSY., CUSHION	1	1		
27	52473-KSE-000	COLLAR A, CONNECTING ROD	1	1		
28	52473-KZ9-710	COLLAR, CUSHION CONNECTING ROD	1	1		
29	52479-KSE-000	ROD SUB ASSY., CUSHION CONNECTING	1	1		
30	52486-GBF-830	COLLAR A, CUSHION UPPER	1	1		
31	52487-GBF-830	COLLAR B, CUSHION UPPER	1	1		
32	87516-MEN-E30	LABEL, RR. DAMPER	1	1	-----	ED
	87516-KZ1-600	LABEL, RR. DAMPER WARNING	1	1	-----	U
33	90101-KK6-000	BOLT, FLANGE, 10X85	1	1		



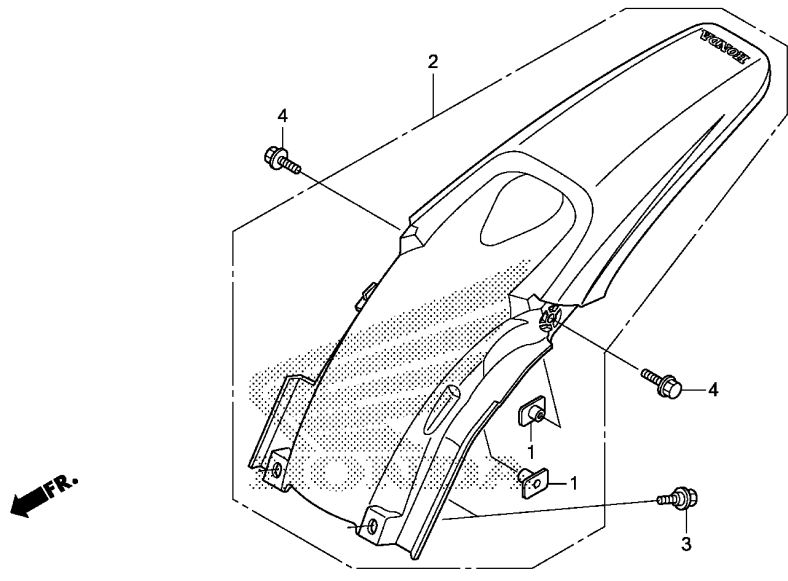
KSEEF1900

Ref. No.	Part No.	Description	Reqd. QTY		Serial No.	Parts catalogue code
			CRF150 RD	RBD		
34	90101-KSE-000	BOLT, FLANGE, 10X105	1	1		
35	90128-KSE-000	BOLT, FLANGE, 10X67	1	1		
36	90153-KSE-000	BOLT, LINK, 10X73	1	1		
37	90153-KZ4-710	BOLT, CUSHION LOWER, 10X43.5	1	1		
38	90304-GE8-003	NUT, U, 10MM(FUSE RASHI)	3	3		
39	90306-KZ4-711	NUT, U, 10MM	2	2		
40	91071-KV3-005	BEARING, NEEDLE(KOYO)	1	1		
41	91072-KT7-003	BEARING, NEEDLE, 17X24X20(NTN)	4	4		
42	91074-KRN-711	BEARING, NEEDLE, 19X26X13 ...	1	1		
43	91077-GS2-702	BEARING, NEEDLE, 16X22X12 ...	1	1		
44	91262-KV3-831	DUST SEAL, 17X24X5(ARAI)	6	6		
45	91351-GS2-701	DUST SEAL, RR. CUSHION UPPER	2	2		
46	91351-KSE-003	DUST SEAL, 19X26X3	2	2		
47	91356-GBF-831	O-RING, 16.8X1.9	1	1		

F-20

REAR FENDER

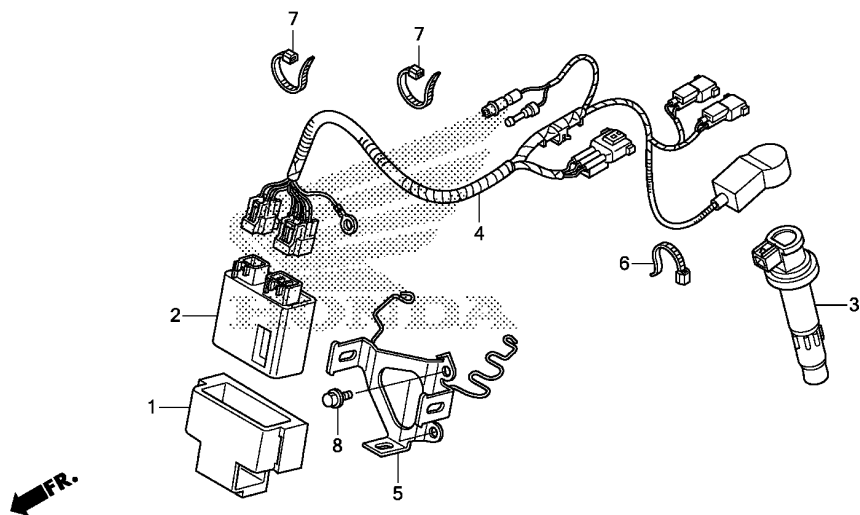
G12



Ref. No.	L.O.N.	(Relative ref. Number) Description	F.R.T.
2	413102	FENDER, REAR	0.2

Ref. No.	Part No.	Description	Reqd. QTY		Serial No.	Parts catalogue code
			CRF150 RD	RBD		
1	61304-958-003	NUT, SPECIAL, 6X7	2	2		
2	80101-KSE-A30ZA	FENDER SET, RR.(WL) *TYPE1*	1	1		
3	90107-KSE-000	BOLT, FLANGE, 6MM	2	2		
4	95701-06012-00	BOLT, FLANGE, 6X12	2	2		

3

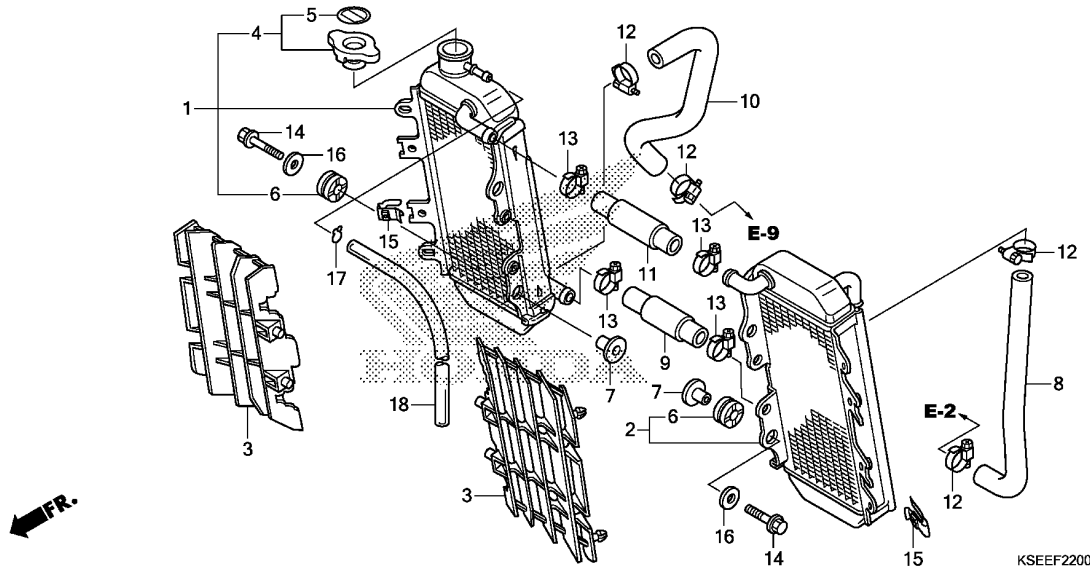


KSEEF2100

Ref. No.	L.O.N.	(Relative ref. Number) Description	F.R.T.
2	6141A1	IGNITION CONTROL MODULE	0.4
3	6141B8	COIL, DIRECT IGNITION	0.3
4	611100	HARNESS, WIRE	0.7

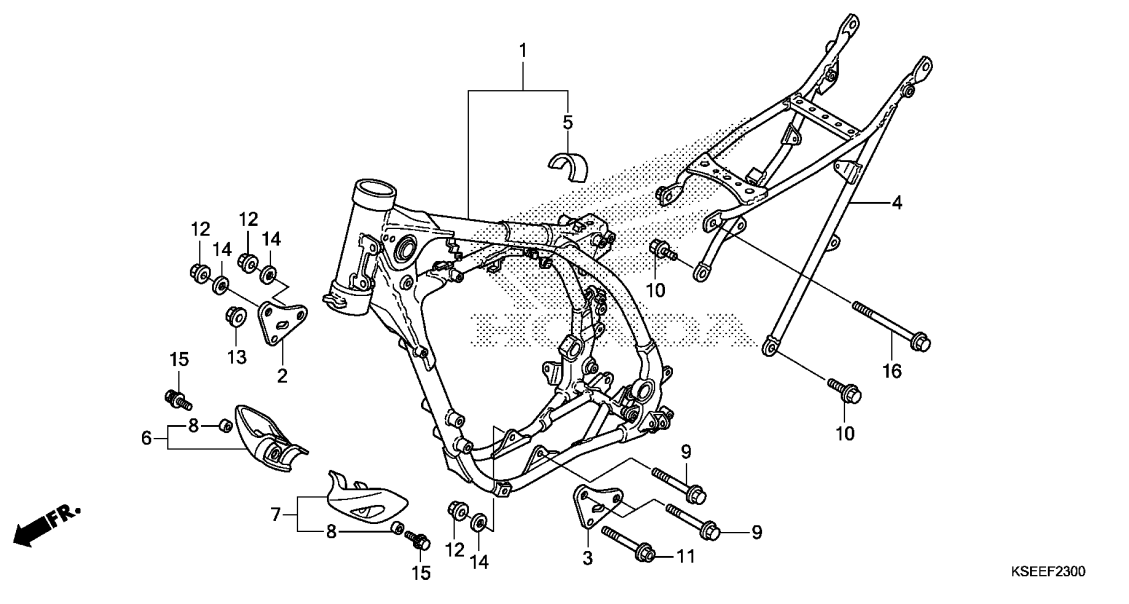
3

Ref. No.	Part No.	Description	Reqd. QTY		Serial No.	Parts catalogue code
			CRF150 RD	RBD		
1	30401-KRN-000	CUSHION, C.D.I. UNIT	1	1		
2	30410-KSE-A71	C.D.I. UNIT	1	1		
3	30700-KSE-003	COIL, CAP & IGNITION	1	1		
4	32100-KSE-A70	HARNESS, WIRE	1	1		
5	50163-KSE-000	BRACKET, C.D.I.	1	1		
6	90651-KV6-003	BAND, WIRE, 165MM(BLACK)	1	1		
7	90679-SG9-E01	BAND, SUCTION HOSE(BLACK) ...	2	2		
8	96001-06010-00	BOLT, FLANGE, 6X10	2	2		



Ref. No.	L.O.N.	(Relative ref. Number) Description	F.R.T.
1	115102	RADIATOR :RIGHT	0.5
2	115101	RADIATOR :LEFT	0.5
	1151A2	RADIATOR :BOTH	0.7
3	1151B2	GRILLE, RADIATOR :LEFT	0.1
	1151B3	GRILLE, RADIATOR :RIGHT	0.1
	1151G3	GRILLE, RADIATOR :BOTH	0.1
4	1151B8	CAP, RADIATOR	0.1
8	114130	HOSE A, WATER	0.4
9	1151H6	HOSE, CROSS WATER	0.4
10	114132	HOSE C, WATER	0.4
11	1151J7	HOSE, CROSS WATER :UPPER	0.5

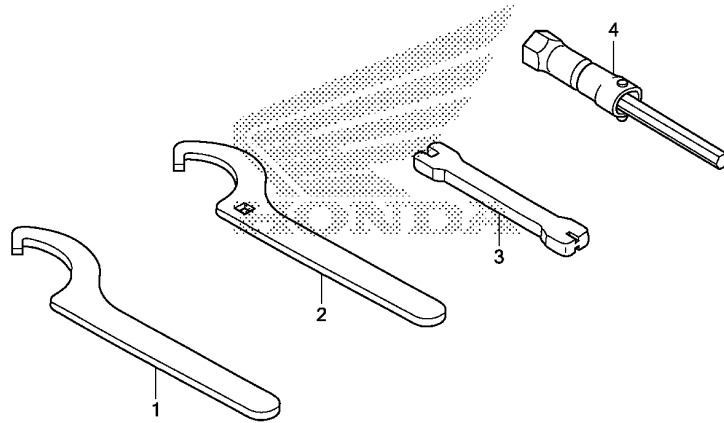
Ref. No.	Part No.	Description	Reqd. QTY		Serial No.	Parts catalogue code
			CRF150 RD	RBD		
1	19010-KSE-E31	RADIATOR, R.	1	1	----- ED	
	19010-KSE-003	1	1	----- U	
2	19015-KSE-003	RADIATOR, L.	1	1	-----	
3	19033-KSE-000	GRILLE, RADIATOR	2	2	-----	
4	19037-MCA-G61	CAP COMP., RADIATOR	1	1	----- ED	
	19037-GEE-710	1	1	----- U	
5	19046-MCA-G61	LABEL, RADIATOR CAP	1	1	----- ED	
	19046-PAA-A00	1	1	----- U	
6	19051-KA3-830	RUBBER, RADIATOR MOUNTING ...	4	4	-----	
7	19052-MAC-680	COLLAR, RADIATOR MOUNTING ...	4	4	-----	
8	19061-KSE-000	HOSE A, WATER	1	1	-----	
9	19062-KSE-000	HOSE COMP. B, WATER	1	1	-----	
10	19063-KSE-000	HOSE C, WATER	1	1	-----	
11	19064-KSE-000	HOSE D, WATER	1	1	-----	
12	19504-KY1-003	CLAMP, WATER HOSE, 25MM	4	4	-----	
13	19505-KS6-700	CLAMP A, WATER HOSE	4	4	-----	
14	90001-GB4-000	BOLT, FLANGE, 6X23.5	4	4	-----	
15	90303-KRN-000	NUT, CLIP, 6MM	2	2	-----	
16	90403-KA3-830	WASHER, RADIATOR MOUNTING ...	4	4	-----	
17	95002-02080	CLIP, TUBE(B8)	1	1	-----	
18	95003-14067-10	TUBE, VINYL, 6X9X670	1	1	-----	
	(95003-14001-10M)	1	1	-----	



Ref. No.	L.O.N.	(Relative ref. Number) Description	F.R.T.
1	410100	BODY, FRAMEINCLUDES: Engine removal and installation	4.1
4	4101A5	FRAME :REAR	0.4
6	4101F6	GUARD, ENGINE :RIGHT	0.1
7	4101F5	GUARD, ENGINE :LEFT	0.1
	4101F9	GUARD, ENGINE :BOTH	0.1

KSEEF2300

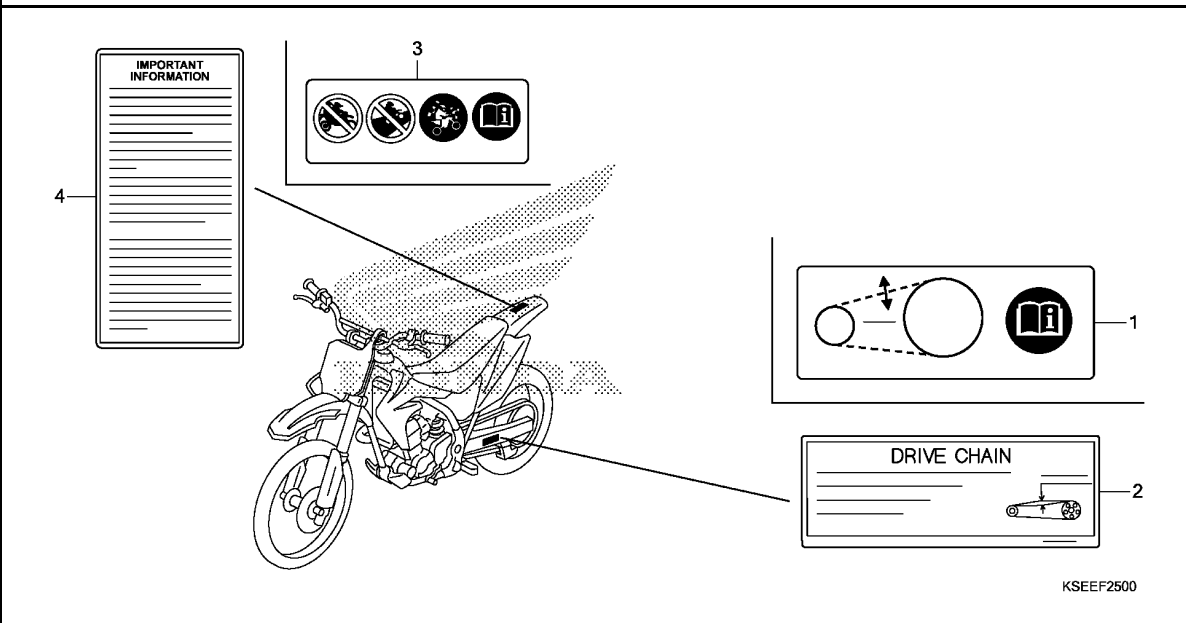
Ref. No.	Part No.	Description	Reqd. QTY		Serial No.	Parts catalogue code
			CRF150 RD	RBD		
1	50020-KSE-000	FRAME SET, FR.	1	1		
2	50131-KSE-000	HANGER, R. FR.	1	1		
3	50132-KSE-000	HANGER, L. FR.	1	1		
4	50200-KSE-000ZA	BODY COMP., RR. FRAME *NH146M*				
		ACCURATE SILVER METALLIC	1	1		
5	50226-KSE-000	RUBBER, TANK	1	1		
6	50360-KRN-000	GUARD, L. ENGINE (RIGHT HAND SIDE)	1	1		
7	50370-KSC-000	GUARD, R. ENGINE (LEFT HAND SIDE)	1	1		
8	52156-353-300	COLLAR, 6X4	2	2		
9	90102-KSE-000	BOLT, FLANGE, 10X90	3	3		
10	90108-KA3-710	BOLT, JOINT, 8X19	2	2		
11	90113-KT0-670	BOLT, FLANGE, 8X87	1	1		
12	90302-KZ3-J40	NUT, FLANGE, 10MM	3	3		
13	90309-357-000	NUT, HEX., 8MM	1	1		
14	90410-HC4-000	WASHER, 10MM	3	3		
15	93404-06014-00	BOLT-WASHER, 6X14	2	2		
16	95801-08105-00	BOLT, FLANGE, 8X105	1	1		



KSEEF2400

Ref. No.	L.O.N.	(Relative ref. Number)	Description	F.R.T.
----------	--------	------------------------	-------------	--------

Ref. No.	Part No.	Description	Reqd. QTY		Serial No.	Parts catalogue code
			CRF150 RD	RBD		
1	89201-KA4-811	SPANNER A, PIN	(1)	(1)		
2	89202-KA4-811	SPANNER B, PIN	(1)	(1)		
3	89212-KSE-000	WRENCH, NIPPLE	1	1		
4	89216-MAT-000	WRENCH, PLUG(16.5)	1	1		

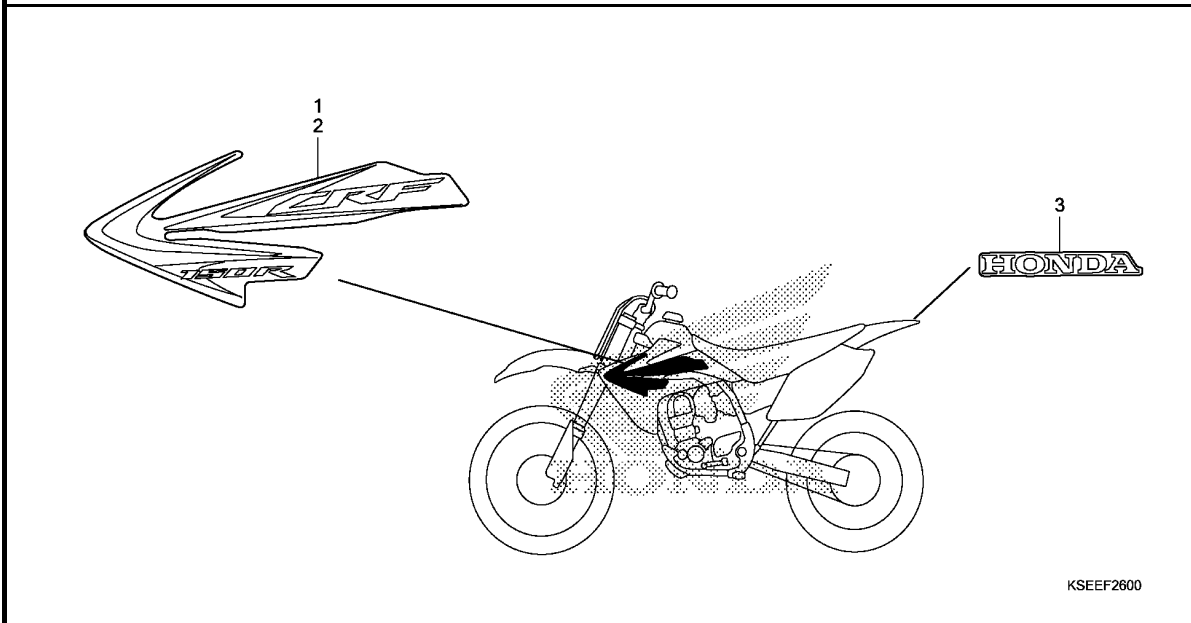


Ref. No.	L.O.N. (Relative ref. Number)	Description	F.R.T.

KSEEF2500

3

Ref. No.	Part No.	Description	Reqd. QTY		Serial No.	Parts catalogue code
			CRF150 RD	RBD		
1	87507-KSE-E30	LABEL, DRIVE CHAIN	1	1	-----	ED
2	87507-KSE-670	LABEL, DRIVE CHAIN(ENGLISH) ..	1	1	-----	U
3	87560-MEN-E30	LABEL, CAUTION	1	1	-----	ED
4	87560-KSE-F10	LABEL, CAUTION	1	1	-----	U



Ref. No.	L.O.N.	(Relative ref. Number)	Description	F.R.T.
----------	--------	------------------------	-------------	--------

NO INFORMATION

Ref. No.	Part No.	Description	Reqd. QTY		Serial No.	Parts catalogue code
			CRF150 RD	RBD		

1	86191-KSE-A70ZA	MARK, R. TANK SHROUD *TYPE1*	1	1		
2	86192-KSE-A70ZA	MARK, L. TANK SHROUD *TYPE1*	1	1		
3	87130-GEL-A50ZA	MARK(HONDA) *TYPE1*	1	1		



PART NO. INDEX

Part Number	Address	Page	Ref.	Part Number	Address	Page	Ref.	Part Number	Address	Page	Ref.	Part Number	Address	Page	Ref.	Part Number	Address	Page	Ref.
17221-KSE-000	G2	69	10	19215-KSE-670	D13	34	1	24315-KA3-710	E7	44	8	41000				43522-KZ4-J41	F12	63	7
17223-KSE-000	G2	69	11	19221-KSE-670	D13	34	2	24321-KZ3-891	E7	44	9					43530-KZ4-J41	F12	63	8
17253-KSE-000	G2	69	12	19226-KSE-670	D13	34	3	24322-MM4-000	E7	44	10	41201-GBF-830	F13	64	2	44000			
17291-GBF-830	G2	69	13		E14	51	1	24324-KA3-711	E7	44	11	41201-GBF-860	F13	64	2				
17359-MAG-L00	G2	69	14	19240-KSE-670	D13	34	4	24325-KA3-711	E7	44	12	41201-GBF-K00	F13	64	2				
17370-419-700	G2	69	15	19245-KSE-670	E4	41	3	24326-KBH-901	E7	44	13	41201-GBF-K10	F13	64	2	44301-KSE-000	F9	60	3
17372-KSE-000	G2	69	16	19504-KY1-003	G14	81	12	24328-GC4-730	E7	44	14	41201-KSE-670	F13	64	2	44312-KSE-000	F9	60	4
17373-KSE-000	G2	69	17	19505-KS6-700	G14	81	13	24329-KA3-740	E7	44	15	41201-KSE-840	F13	64	2	44620-KSE-000	F9	60	5
17375-KSE-000	G2	69	18	19508-KA3-710	G4	71	14	24430-KA3-740	E7	44	16	41202-GBF-860	F13	64	2	44635-KSE-670	F9	60	6
17506-KZ3-860	F15	66	3	19523-KSE-670	D2	23	12	24435-KSE-670	E7	44	17	41203-GBF-830	F13	64	2	44650-KSE-670	F9	60	7
17508-GBF-830	F15	66	4					24610-KSE-670	E7	44	18					44650-KSE-840	F9	60	7
17509-KSE-000	F15	66	5	22000				24651-KSE-670	E7	44	19	42000				44701-KSE-671	F9	60	8
17510-KSE-000	F15	66	6					24652-HA0-000	E7	44	20					44701-KSE-841	F9	60	8
17516-KT0-670	F15	66	7	22100-KSE-A70	D11	32	2	24700-KSE-000	G5	72	1	42301-KSE-000	F13	64	3	44711-GBF-871	F9	60	9
17521-429-000	F15	66	8	22120-KSE-670	D11	32	3					42305-KSE-000	F13	64	4	44711-GS2-752	F9	60	9
17620-ML3-600	F15	66	9	22201-GBF-B40	D11	32	4	28000				42311-KSE-000	F13	64	5	44711-GS2-771	F9	60	9
17624-KA4-000	F15	66	10	22321-KSE-670	D11	32	5	28211-KSE-670	E9	46	4	42620-KSE-000	F13	64	6	44712-GBF-871	F9	60	10
17626-467-000	F15	66	11	22351-KSE-670	D11	32	6	28221-MEB-770	E9	46	5	42635-KSE-670	F13	64	7	44712-GC4-601	F9	60	10
17634-KZ3-860	F15	66	12	22352-KSE-670	D11	32	7	28223-KA4-740	E9	46	6	42650-KSE-670	F13	64	8	44712-GC4-611	F9	60	10
17681-KSE-000	F15	66	13	22401-KSE-670	D11	32	8	28232-KSE-670	E9	46	7	42650-KSE-840	F13	64	8	44713-110-003	F9	60	11
17900-KSE-710	F1	52	1	22810-KSE-670	E1	38	12	28242-KSE-670	D11	32	11	42701-KSE-671	F13	64	9	44713-118-003	F14	65	12
17950-KSE-000	F1	52	2	22838-KSE-670	D14	35	8	28251-MEN-670	E9	46	8	42711-KSE-841	F13	64	9	44713-GC4-003	F9	60	11
				22851-KSE-670	D11	32	9	28259-KSE-670	E9	46	9	42711-GS2-752	F13	64	10	44715-GC4-000	F10	61	12
18000				22870-KSE-000	F1	52	3	28281-KSE-670	E9	46	10	42711-GS2-771	F13	64	10	44715-MA0-770	F14	65	15
18291-KZ1-670	E13	50	1	23000				28282-MEB-670	E9	46	11	42712-GBF-871	F14	65	11	45000			
	G4	71	1	23121-KSE-670	D11	32	10	28300-KSE-000	G5	72	2	42712-GC4-601	F13	64	11	45107-166-006	F8	59	5
18310-KSE-E30	G4	71	2	23210-KSE-670	E5	42	1	28302-KSE-000	G5	72	3	42712-GC4-611	F14	65	11	45107-MCT-006	F11	62	12
18313-KSE-E30	G4	71	3	23221-KSE-670	E5	42	2	28306-KAE-000	G5	72	4	42713-001-000	F9	60	11	45108-166-006	F8	59	6
18320-KSE-000	G4	71	4	23411-KSE-670	E5	42	3	28333-KK0-000	G5	72	5	42713-116-671	F14	65	12	45110-KSE-006	F8	59	7
18323-KSE-A50	G4	71	5	23421-KSE-670	E5	42	4	30000				42713-GC4-003	F14	65	12	45111-MAJ-G41	F11	62	13
18324-MEB-670	G4	71	6	23422-KSE-670	E5	42	5	30401-KRN-000	G13	80	1	42714-KA3-710	F9	60	2	45115-GE3-602	F8	59	8
18336-KSE-E30	G4	71	7	23431-KSE-670	E5	42	6	30410-KSE-A71	G13	80	2		F14	65	13	45125-KSE-003	F2	53	1
18345-KSE-300	G4	71	8	23432-KSE-670	E5	42	7	30700-KSE-003	G13	80	3	42715-KA2-680	F14	65	15	45131-G20-006	F8	59	9
18350-KSE-000	G4	71	9	23441-KSE-670	E5	42	8					43000				45132-166-016	F8	59	10
18351-KSE-E30	G4	71	10	23451-KSE-670	E5	42	9	31000				43108-KZ4-J41	F11	62	3		F11	62	14
18352-KSE-E30	G4	71	11	23461-KSE-670	E5	42	10	31110-KSE-671	D16	37	1	43112-KZ4-J41	F11	62	4	45133-166-016	F8	59	11
18373-MG7-701	G4	71	12	23471-KSE-670	E5	42	11	31120-KSE-A71	D16	37	2	43113-KW3-006	F11	62	5	45133-MA3-006	F11	62	15
18392-MK4-000	G4	71	13	23472-KY4-900	E9	46	2					43150-KSE-006	F11	62	6	45134-GE3-601	F8	59	12
18601-MBW-003	E1	38	11	23481-KSE-A70	E5	42	12					43190-KSE-006	F11	62	7	45150-KSE-006	F8	59	13
				23483-KSE-670	E5	42	13	32000				43215-KZ4-J41	F11	62	8	45215-GC4-602	F8	59	14
19000				23491-KSE-670	E5	42	14	32100-KSE-A70	G13	80	4	43310-KSE-003	F12	63	1	45216-166-006	F8	59	15
19010-KSE-003	G14	81	1	23512-KSE-670	E5	42	15	32112-KSE-670	D16	37	3	43310-KSE-841	F12	63	1	45218-166-006	F8	59	16
19010-KSE-E31	G14	81	1	23531-KSE-670	E9	46	3	32171-GF9-621	G2	69	19	43340-MEY-000ZA	F11	62	9	45351-KSE-000	F10	61	13
19015-KSE-003	G14	81	2	23801-KSE-670	E5	42	16					43351-KSE-000	F14	65	14	45461-GBF-J00	F6	57	1
19033-KSE-000	G14	81	3	23802-KSE-670	E5	42	17					43352-568-003	F8	59	3	45462-GBF-J00	F6	57	2
19037-GEE-710	G14	81	4	23810-KSE-670	D14	35	9	35000					F11	62	10	45468-KS7-830	F4	55	1
19037-MCA-G61	G14	81	4	23812-KSE-670	D14	35	10					43353-461-771	F8	59	4	45504-KN5-006	F2	53	2
19046-MCA-G61	G14	81	5					35130-KSE-671	F1	52	4		F11	62	11	45510-GBF-J01	F2	53	3
19046-PAA-A00	G14	81	5	24000								43435-392-000	G7	74	3	45513-KCE-671	F2	53	4
19051-KA3-830	G14	81	6	24211-KSE-670	E7	44	1	40000				43468-MEB-000	G7	74	4	45517-GW0-751	F2	53	5
19052-MAC-680	G14	81	7	24212-KSE-670	E7	44	2					43500-KSE-016	F12	63	2	45518-KA3-731	F2	53	6
19061-KSE-000	G14	81	8	24213-KSE-670	E7	44	3	40530-KSE-671	G7	74	1	43504-MB2-006	F12	63	3	45520-KA3-731	F2	53	7
19062-KSE-000	G14	81	9	24265-GC4-710	E7	44	4	40530-KSE-841	G7	74	1	43513-KZ4-J41	F12	63	4	45523-KA3-731	F2	53	8
19063-KSE-000	G14	81	10	24266-KSE-670	E7	44	5	40531-KSE-671	G7	74	2	43521-KZ4-J41	F12	63	6	45530-KCE-671	F2	53	9
19064-KSE-000	G14	81	11	24311-KSE-670	E7	44	6	24312-KA3-741	E7	44	7								
19071-KSE-A70ZA	F15	66	14																
19072-KSE-A70ZA	F15	66	15																



PART NO. INDEX

Part Number	Address	Page	Ref.	Part Number	Address	Page	Ref.	Part Number	Address	Page	Ref.	Part Number	Address	Page	Ref.
46000				51610-GBF-680ZB	F7	58	27	53000				87000			
46182-MEL-D21	F12	63	9	51620-GBF-680ZB	F7	58	28	53100-KSE-A70	F3	54	1	87130-GEL-A50ZA	H2	85	3
46504-KZ4-J41	F12	63	10	52000				53140-KSE-000	F1	52	5	87507-KSE-670	H1	84	2
46510-KSE-010	G5	72	6	52101-KSE-000	G7	74	5	53166-GBF-J60	F1	52	6	87507-KSE-E30	H1	84	1
46511-KZ4-J00	G5	72	7	52141-GBF-J00	G7	74	6	53167-MEB-672	F1	52	7	87516-KZ1-600	G10	77	32
46513-KSR-710	G5	72	8	52142-GBF-J00	G7	74	7	53168-MEB-671	F1	52	8	87516-MEN-E30	G10	77	32
46525-KK0-003	G5	72	9	52143-GBF-J00	G7	74	8	53169-KSE-000	F1	52	9	87560-KSE-F10	H1	84	4
50000				52144-GBF-J00	G7	74	9	53172-MEB-670	F1	52	10	87560-MEN-E30	H1	84	3
50020-KSE-000	G15	82	1	52146-KSE-000	G7	74	9	53174-KCE-670	F1	52	11	89000			
50131-KSE-000	G15	82	2	52147-GM7-701	G7	74	10	53174-KN5-006	F2	53	10	89201-KA4-811	G16	83	1
50132-KSE-000	G15	82	3	52147-KSE-000	G7	74	11	53175-KCE-670	F2	53	11	89202-KA4-811	G16	83	2
50163-KSE-000	G13	80	5	52156-353-300	G15	82	8	53176-ML3-791	F2	53	12	89212-KSE-000	G16	83	3
50200-KSE-000ZA	G15	82	4	52158-GBF-830	G7	74	12	53177-MEB-670	F1	52	12	89216-MAT-000	G16	83	4
50226-KSE-000	G15	82	5	52170-KSE-000	G7	74	13	53178-MAC-740	F1	52	13	90000			
50360-KRN-000	G15	82	6	52171-KR6-000	G7	74	14	53190-MEB-670	F1	52	14	90001-GB4-000	G14	81	14
50370-KSC-000	G15	82	7	52200-KSE-000	G7	74	15	53192-203-000	F1	52	15	90001-MEN-850	E1	38	13
50500-KA3-820	G6	73	1	52200-KSE-840	G7	74	15	53214-KA3-732	F4	55	2	90003-KSE-670	D2	23	13
50530-GBF-830	G6	73	2	52400-KSE-A71	G9	76	1	53214-MCJ-751	F4	55	3	90004-GHB-600	D8	29	9
50603-KA3-710	G6	73	3	52400-KSE-E71	G9	76	1	53215-GF8-000	F3	54	2	90004-GHB-620	D10	31	6
50616-KSE-000	G6	73	4	52400-KSE-E81	G9	76	1	53219-GBF-K40	F4	55	4	90004-GHB-630	D8	29	10
50617-KZ4-J40	G6	73	5	52401-KSE-A31	G9	76	2	53229-MN1-650	F4	55	5	90004-KCW-851	D2	23	14
50618-KZ4-J40	G6	73	6	52401-KSE-A41	G9	76	2	53300-KSE-000	F3	54	3	90005-896-000	D16	37	4
50642-KSE-000	G6	73	7	52402-KSE-A31	G9	76	2	61000				90005-MM4-000	D2	23	15
51000				52402-KSE-A41	G9	76	2	61110-KSE-000	F5	56	1	90010-MEB-670	D16	37	5
51401-KSE-671	F6	57	3	52410-KSE-A71	G9	76	3	61136-GBF-831ZB	F4	55	6	90013-KSE-670	D11	32	12
51401-KSE-841	F6	57	3	52410-KSE-E71	G9	76	3	61304-958-003	G12	79	1	90017-MY9-790	D1	22	4
51402-KSE-671	F6	57	3	52421-KSE-A71	G9	76	4	77000				90022-MBG-D00	D11	32	13
51403-KSE-671	F6	57	3	52422-MA0-003	G9	76	5	77100-KSE-A30	G1	68	1	90022-MG8-000	E7	44	21
51404-GBF-831	F6	57	4	52423-GBF-831	G9	76	6	77101-KSE-A30	G1	68	2	90023-MM5-000	D2	23	16
51405-GBF-831	F6	57	5	52425-381-771	G9	76	7	80000				90031-KSE-600	E1	38	14
51405-KSE-671	F6	57	3	52425-KSE-671	G9	76	8	80101-KSE-A30ZA	G12	79	2	90038-KY4-900	E4	41	4
51404-GBF-831	F6	57	4	52425-KSE-E31	G9	76	8	83000				90071-MF5-000	E5	42	18
51405-GBF-831	F6	57	5	52426-KSE-A71	G9	76	9	83510-KSE-000ZA	G1	68	3	90084-041-000	E5	42	19
51405-MC7-003	F6	57	6	52427-GBF-831	G9	76	10	83515-KS7-830	G1	68	4	90084-HB3-000	D14	35	11
51408-GBF-831	F6	57	7	52428-KA4-741	G9	76	11	83607-356-000	F15	66	16	90087-MN1-670	D10	31	7
51410-KSE-671	F6	57	8	52429-KSE-A71	G10	77	12	83610-KSE-000ZA	G1	68	5	90088-MEB-670	D8	29	11
51410-KSE-841	F6	57	8	52431-MA0-771	G10	77	13	90101-KK6-000	G10	77	33	90101-KSE-000	G11	78	34
51412-461-003	F6	57	9	52432-GBF-831	G10	77	14	90102-KSE-000	G15	82	9	90102-MEN-710	G1	68	6
51414-KSE-A71	F6	57	10	52434-KA3-681	G10	77	15	90103-KSE-000	G5	72	10	90105-KAE-870	F10	61	14
51415-KSE-A71	F6	57	11	52435-MA0-771	G10	77	16	90105-KAE-870	F14	65	16	90105-MEN-000	G7	74	16
51420-KSE-A71	F6	57	12	52436-KSE-680	G10	77	17	90106-KSE-000	F12	63	11	90106-KM0-000	F4	55	7
51430-KSE-A71	F6	57	13	52438-KA4-741	G10	77	18	90107-KF0-000	F4	55	8	90107-KSE-000	G12	79	3
51431-KSE-A71	F6	57	14	52440-GBF-A01	G10	77	19	90107-KSE-000	G15	82	10	90109-KSE-670	E9	46	12
51436-GBF-J01	F6	57	15	52451-GBF-831	G10	77	20	90111-162-000	G1	68	7	90111-ML3-791	F2	53	13
51441-KSE-A71	F7	58	16	52453-KSE-671	G10	77	21	84000				90441-KRM-840	E4	41	7
51447-KR6-003	F7	58	17	52455-GBF-831	G10	77	22	84601-HA7-670	G2	69	21	E5	42	23	
51450-GBF-831	F7	58	18	52459-GBF-831	G10	77	23	84706-415-000	F15	66	17	E7	44	24	
51456-KZ3-731	F7	58	19	52462-KSE-000	G10	77	24	86000				E1	38	15	
51476-GBF-831	F7	58	20	52463-KSE-000	G10	77	25	86150-KPG-901	F3	54	4	E2	29	12	
51480-KSE-A71	F7	58	21	52465-KSE-000	G10	77	26	86191-KSE-A70ZA	H2	85	1	E3	50	1	
51480-KSE-A81	F7	58	21	52473-KSE-000	G10	77	27	86192-KSE-A70ZA	H2	85	2	E4	32	17	
51481-KSE-A71	F7	58	22	52473-KZ9-710	G10	77	28	88000				E5	44	24	
51490-GBF-J21	F7	58	23	52479-KSE-000	G10	77	29	88150-KPG-901	F3	54	4	E6	44	24	
51517-GBF-831	F7	58	24	52482-GBF-831	F7	58	29	88191-KSE-A70ZA	H2	85	1	E7	44	24	
51520-KSE-A71	F7	58	25	52486-GBF-830	G10	77	30	88192-KSE-A70ZA	H2	85	2	E8	44	24	
51580-KSE-A71	F7	58	26	52487-GBF-830	G10	77	31	89000				E9	46	12	
51580-KSE-A81	F7	58	26									90111-162-000	G1	68	7
												90111-ML3-791	F2	53	13
												90441-KRN-670	E1	38	15
												90442-397-000	D8	29	12
												90445-KSE-671	D11	32	17
												90447-KE1-000	D13	34	5

PART NO. INDEX

Part Number	Address	Page	Ref.	Part Number	Address	Page	Ref.	Part Number	Address	Page	Ref.	Part Number	Address	Page	Ref.
90447-KE1-000	E14	51	1	91008-KSE-671	E6	43	31	93600-06040-0A	G8	75	27	96001-06014-00	D2	23	22
90451-107-000	E6	43	24	91015-425-831	F4	55	10	93892-04008-18	E11	48	37	96001-06016-00	D14	35	23
90451-155-000	E7	44	25	91021-148-004	E1	38	24	93892-04014-08	E12	49	4		E9	46	15
90451-KSE-670	D11	32	18	91022-KA4-740	E2	39	25	93892-04014-18	E11	48	38		F16	67	24
90452-437-000	E6	43	25	91051-KSE-003	F14	65	22	93913-15280	G2	69	23	96001-06018-00	D14	35	24
90457-HB3-000	E6	43	26	91052-KSE-003	F10	61	18	93913-15410	G2	69	24		F16	67	25
90461-KSE-670	D11	32	19	91070-GC4-601	G8	75	23					96001-06018-07	F1	52	23
90463-ML7-000	D10	31	8	91071-KV3-005	G11	78	40	94000				96001-06022-00	D2	23	23
	D13	34	6	91072-KT7-003	G11	78	41						F1	52	24
	D14	35	13	91074-KRN-711	G11	78	42	94001-08000-0S	F10	61	19		F2	53	20
	E1	38	16	91077-GS2-702	G11	78	43		F14	65	24	96001-06028-00	D9	30	4
	E14	51	1	91201-148-003	D13	34	8	94002-05000-0S	G3	70	25		D10	31	14
90465-MC4-000	F14	65	20	91201-KSE-671	E2	39	26	94002-06000-0S	F12	63	15		D13	34	11
90474-333-000	E1	38	17	91201-MEB-671	E2	39	27	94050-06000	F2	53	19		D15	36	25
	E14	51	1	91202-KCY-761	E6	43	32	94050-12000	D16	37	7	96001-06030-00	D15	36	26
90482-567-000	D8	29	13	91203-KA4-771	E2	39	28	94101-05000	G4	71	20	96001-06035-00	D10	31	15
90485-KSE-000	G8	75	21	91203-KSE-671	E2	39	29	94101-06000	G3	70	26		D13	34	12
90501-GBM-750	F14	65	21	91204-HP1-601	D14	35	16	94101-08000	G4	71	21		D15	36	27
90501-KV6-670	F1	52	19	91204-KF0-003	D10	31	9	94102-08800	G4	71	22		G8	75	29
90501-KZ4-J20	F15	66	21	91204-KSE-671	E2	39	30	94102-10000	G6	73	8	96001-06040-00	D10	31	16
90501-MK4-600	D2	23	18	91205-VM6-003	F14	65	23	94111-04000	F1	52	22	96001-06045-00	D15	36	28
90506-430-000	F15	66	22	91211-KSE-671	D13	34	9	94111-08000	F10	61	20		E2	39	35
90510-KY1-000	F10	61	16	91251-444-000	G5	72	12		F14	65	25	96001-06055-00	E2	39	36
90512-KZ4-J20	F5	56	2	91254-GBF-831	F7	58	32	94201-20120	G5	72	13	96001-06070-00	E2	39	37
90520-134-000	G8	75	22	91254-KS6-003	G8	75	24	94201-20180	G6	73	9	96001-06075-00	D15	36	29
90543-MV9-670	D1	22	5	91256-GC5-003	F7	58	33	94301-08100	D2	23	20	96120-62030-00	E6	43	33
	E13	50	1	91258-KZ3-B01	F7	58	34	94301-08140	D10	31	13	96140-62020-00	E6	43	34
90545-300-000	F2	53	16	91262-KV3-831	G11	78	44		D14	35	20	96211-08000	G5	72	15
	F12	63	13	91301-KZ3-731	F7	58	35		E2	39	31	96220-30178	D12	33	6
90554-728-940	E6	43	27	91302-028-000	D2	23	19	94301-10160	D2	23	21	96220-40080	E8	45	29
	E9	46	13		E13	50	1		D14	35	21	96300-06012-00	D1	22	6
90601-030-000	E6	43	28	91302-PA9-003	D14	35	17	94301-12160	D9	30	3	96300-08035-00	E2	39	38
90601-459-000	E6	43	29		E14	51	1	94510-14000	E8	45	28		F3	54	7
90602-MEB-670	D14	35	14	91303-377-000	D14	35	18	94510-19000	E9	46	14	96300-08080-00	E2	39	39
90602-PX4-000	D7	28	19		E14	51	1	94520-14000	D14	35	22	96400-08032-00	F3	54	8
90610-MEB-670	E1	38	18	91305-KF0-003	D10	31	10	94520-30100	E2	39	32	96600-06014-00	G3	70	29
90650-KV6-003	F1	52	20		E14	51	1	94520-35000	F14	65	26				
90651-KV6-003	G13	80	6	91307-035-000	D10	31	11	94601-14000	E3	40	6	98000			
90651-MA5-671	F2	53	17		D14	35	19								
90652-KY4-900	D12	33	5		E14	51	1	95000				98059-58916	D2	23	24
90653-HC4-900	G2	69	22	91310-MJ0-003	F7	58	36					98059-58926	D2	23	24
90679-SG9-E01	G13	80	7	91311-PH7-003	D10	31	12	95002-02079	E11	48	39	98059-59916	D3	24	24
90745-GC4-701	F10	61	17		E14	51	1	95002-02080	G14	81	17	98059-59926	D3	24	24
90751-GK1-003	D14	35	15	91320-KE1-000	D13	34	10	95002-02100	E2	39	33				
	E14	51	1	91351-GS2-701	G11	78	45	95002-02120	F15	66	23	99000			
90901-MCF-000	E1	38	19	91351-KSE-003	G11	78	46		G3	70	27	99101-357-1200	E12	49	5
				91356-GBF-831	G11	78	47	95003-14067-10	G14	81	18	99101-357-1220	E12	49	5
91000				91356-MW0-003	F7	58	37	95014-22100	F3	54	6	99101-357-1250	E12	49	5
								95015-54000	G5	72	14	99101-357-1280	E12	49	5
91001-KA4-003	D13	34	7	93000				95018-52201	G3	70	28	99101-357-1320	E11	48	40
91001-KSE-671	E1	38	20					95701-06012-00	G12	79	4		E12	49	5
91002-KSE-671	E1	38	21	93301-06016-0A	E8	45	27	95701-08035-00	G8	75	28	99101-357-1350	E12	49	5
91003-KF0-008	D7	28	20	93401-04016-00	F12	63	14	95801-08105-00	G15	82	16	99101-357-1380	E12	49	5
91004-KSE-671	E1	38	22	93404-06014-00	G15	82	15					99101-357-1400	E12	49	5
91004-KY4-900	E8	45	26	93404-06016-08	F5	56	3	96000				99103-440-0350	E11	48	41
91004-MT3-003	E6	43	30	93500-04012-1A	F1	52	21	96001-06010-00	G13	80	8	99103-440-0380	E11	48	41
91005-KSE-671	E4	41	8	93500-05008-0A	G8	75	25	96001-06012-00	D7	28	21	99103-440-0400	E11	48	41
91006-HA0-003	E1	38	23	93500-05010-0G	G8	75	26		E2	39	34	99103-440-0420	E11	48	41
91006-KSE-671	D11	32	20	93600-04012-1G	F2	53	18								

PART NAME INDEX

J 1

Part name	Address	Page	Ref.	Part name	Address	Page	Ref.	Part name	Address	Page	Ref.
[A]											
ADJUSTER, COMPRESSION DAMPING				BOLT-WASHER, 6X25	D11	32	13	BOLT, FLANGE, 6X73	D2	23	13
ADJUSTER, SPRING	G9	76	5	BOLT COMP., CENTER	F7	58	16	BOLT, FLANGE, 6X75	D15	36	29
ARM ASSY., KICK STARTER	G5	72	2	BOLT SET, ADJUSTER	F2	53	13	BOLT, FLANGE, 8X105	G15	82	16
ARM COMP., L. EX. ROCKER	D4	25	7	BOLT, CLUTCH WIRE ADJUSTING ...	F1	52	15	BOLT, FLANGE, 8X16	G4	71	16
ARM COMP., R. EX. ROCKER	D4	25	6	BOLT, COVER	E10	47	19	BOLT, FLANGE, 8X18	G4	71	15
ARM SET, LINK	E10	47	7	BOLT, CUSHION LOWER, 10X43.5 ..	G11	78	37	BOLT, FLANGE, 8X32	F3	54	8
ARM SUB ASSY., CUSHION	G10	77	26	BOLT, DISK, 6X17	F10	61	14	BOLT, FLANGE, 8X35	F8	59	17
AXLE, FR. WHEEL	F9	60	3	BOLT, DRIVE SPROCKET FIXING ...	F14	65	16	BOLT, FLANGE, 8X40	E2	39	38
AXLE, RR. WHEEL	F13	64	3	BOLT, ELEMENT SETTING	E5	42	19	BOLT, FLANGE, 8X80	F3	54	7
				BOLT, FLANGE SOCKET, 6X14	G2	69	13	BOLT, FLANGE, 8X87	G4	71	17
					E7	44	22	BOLT, FR. FORK	G8	75	28
				BOLT, FLANGE, 10X105	E7	44	22	BOLT, HANDLE LEVER PIVOT	F4	55	8
				BOLT, FLANGE, 10X67	G11	78	34	BOLT, HEAD COVER	E2	39	39
				BOLT, FLANGE, 10X85	G11	78	35	BOLT, HEX., 6X16	G15	82	11
				BOLT, FLANGE, 10X90	G10	77	33	BOLT, HEX., 8X47.5	F7	58	18
				BOLT, FLANGE, 5X16	G15	82	9	BOLT, JOINT, 8X19	F2	53	14
				BOLT, FLANGE, 6MM	D16	37	4	BOLT, LEVER PIVOT	D1	22	4
					F7	58	30	BOLT, LINK, 10X73	D1	22	4
					F15	66	18	BOLT, OIL, 10X22	E4	41	4
					G1	68	7		E8	45	27
					G12	79	3	BOLT, HEX., 8X47.5	G7	74	16
					D8	29	9	BOLT, JOINT, 8X19	G15	82	10
					F11	62	16	BOLT, KICK ARM, 6X25	G5	72	10
					G13	80	8	BOLT, KICK JOINT	G5	72	4
					D1	22	6	BOLT, LEVER PIVOT	F1	52	16
					D7	28	21	BOLT, LINK, 10X73	G11	78	36
					E2	39	34	BOLT, OIL, 10X22	F2	53	15
					G12	79	4		F12	63	12
					D2	23	22	BOLT, PIN	F8	59	9
					D10	31	6		F11	62	5
					D8	29	10	BOLT, PLUG	F7	58	19
					D14	35	23	BOLT, PROTECTOR	F7	58	31
					E9	46	15	BOLT, RECESSED, 5X28	D2	23	16
					F4	55	7	BOLT, RECESSED, 5X32	D2	23	15
					F16	67	24	BOLT, SOCKET, 6X14	G3	70	29
					D14	35	24	BOLT, SPECIAL KNOCK, 7X9.5	D8	29	2
					F1	52	23	BOLT, SPECIAL, 10X24	D11	32	12
					F16	67	25	BOLT, SPECIAL, 5MM	F4	55	9
					G5	72	11	BOLT, SPECIAL, 6MM	G4	71	18
					D2	23	23	BOLT, SPECIAL, 8MM	G1	68	6
					F1	52	24	BOLT, SPECIAL, 8X22	E9	46	12
					F2	53	20	BOLT, STUD, 7X25	D2	23	14
					G14	81	14	BOLT, STUD, 9X116	E1	38	14
					D8	29	11	BOOT B	F11	62	15
					D9	30	4	BOOT COMP.	F2	53	2
					D10	31	14		F12	63	3
					D13	34	11	BOOT, PIN	F8	59	11
					D15	36	25	BOOT, PIN BUSH	F8	59	10
					D15	36	26		F11	62	14
					D10	31	15	BRACKET SUB ASSY., RR.	F11	62	7
					D13	34	12	BRACKET, C.D.I.	G13	80	5
					D15	36	27	BRACKET, FR. FUEL TANK	F15	66	12
					G8	75	29	BRACKET, L. FR.	F8	59	7
					D10	31	16	BRACKET, L. HANDLE LEVER	F1	52	10
					F15	66	20	BRIDGE COMP., FORK TOP	F3	54	3
					D15	36	28	BUSH, GUIDE	F6	57	10
					E2	39	35	BUSH, SLIDER	F6	57	11
					E2	39	36				
					E2	39	37				

PART NAME INDEX

J 2

Part name	Address	Page	Ref.	Part name	Address	Page	Ref.	Part name	Address	Page	Ref.
[C]											
CABLE COMP., CLUTCH	F1	52	3	CLIP, TUBE	F15	66	23	CYLINDER ASSY., RR. BRAKE			
CABLE COMP., HOT STARTER	F1	52	2		G3	70	27	MASTER	F12	63	2
CABLE COMP., THROTTLE	F1	52	1	COCK ASSY., FUEL	G14	81	17	CYLINDER SUB ASSY., FR. BRAKE			
CALIPER SUB ASSY., L. FR.	F8	59	13	COIL, CAP & IGNITION	F15	66	1	MASTER	F2	53	3
CALIPER SUB ASSY., RR. BRAKE ..	F11	62	6	COLLAR	G13	80	3	C.D.I. UNIT	G13	80	2
CAMSHAFT COMP.	D4	25	5	COLLAR A	F15	66	17	[D]			
CAP ASSY., FUEL TANK	F15	66	9	COLLAR A, CONNECTING ROD	F15	66	21	DAMPER COMP., FR.	F6	57	13
CAP COMP., CHAMBER	G10	77	21	COLLAR A, CUSHION UPPER	G10	77	30	DAMPER COMP., RR.	G9	76	3
CAP COMP., RADIATOR	G14	81	4	COLLAR B, CUSHION ARM	G10	77	25	DAMPER SUB COMP., FR.	F6	57	14
CAP, 14MM	D14	35	11	COLLAR B, CUSHION UPPER	G10	77	31	DIAPHRAGM	F2	53	7
CAP, 30MM	D10	31	7	COLLAR COMP., FR. WHEEL SIDE ..	F9	60	4		F12	63	7
CAP, AIR VALVE	G9	76	7	COLLAR D, CUSHION ARM	G10	77	24		G10	77	20
CAP, BLEEDER	F8	59	4	COLLAR, 16.5MM	E5	42	5	DISK, CLUTCH FRICTION	D11	32	4
	F11	62	11	COLLAR, 18MM	E5	42	13	DISK, FR. BRAKE	F10	61	13
CAP, CASE	G9	76	11	COLLAR, 20MM	E5	42	7	DISK, RR. BRAKE	F14	65	14
CAP, MASTER CYLINDER	F2	53	4	COLLAR, 20X22X10	E9	46	2	DOWEL PIN, 10X16	D2	23	21
	F12	63	4	COLLAR, 6X4	G15	82	8		D14	35	21
CAP, OIL FILLER	D10	31	4	COLLAR, BATTERY LOWER	F15	66	16	DOWEL PIN, 8X10	D2	23	20
CAP, VALVE	F9	60	2	COLLAR, CLUTCH OUTER	D11	32	11	DOWEL PIN, 8X14	D10	31	13
CARBURETOR ASSY.	F14	65	13	COLLAR, CUSHION CONNECTING ROD	G10	77	28		D14	35	20
CASE COMP., DAMPER	E10	47	22	COLLAR, ENGINE HANGER	E1	38	2		E2	39	31
CASE COMP., ROD GUIDE	G9	76	8	COLLAR, FR. FENDER	F5	56	2	DOWEL PIN, 8X7	D13	34	10
CASE, AIR CLEANER	G10	77	12	COLLAR, FR. WHEEL DISTANCE	F9	60	5	DRUM, GEARSHIFT	E7	44	6
CENTER, CLUTCH	G2	69	4	COLLAR, FUEL TANK SETTING	F15	66	11	DUST PLUG	F8	59	12
CENTER, GEARSHIFT DRUM	D11	32	3	COLLAR, KICK IDLE GEAR	E9	46	7	DUST SEAL, 15X20X2.5	G5	72	12
CHAIN, CAM	E7	44	7	COLLAR, KICK SPRING	E9	46	11	DUST SEAL, 17X20X2.5	G5	72	9
CHAIN, DRIVE	D8	29	3	COLLAR, LINK	G7	74	3	DUST SEAL, 17X24X5	G11	78	44
CHAMBER SET, FLOAT	G7	74	1	COLLAR, L. SWINGARM	G7	74	7	DUST SEAL, 19X26X3	G11	78	46
CIRCLIP	E10	47	5	COLLAR, RADIATOR MOUNTING	G14	81	7	DUST SEAL, 20X26X4.5	G8	75	24
	F2	53	17	COLLAR, RR. AXLE	F13	64	4	DUST SEAL, 23X35X7	F14	65	23
	F12	63	9	COLLAR, RR. WHEEL DISTANCE	F13	64	6	DUST SEAL, 32X21X5	F10	61	17
CIRCLIP B, INTERNAL, 47MM	D7	28	19	COLLAR, RR. WHEEL SIDE	F13	64	5	DUST SEAL, RR. CUSHION UPPER ..	G11	78	45
CIRCLIP, 18MM	E6	43	28	COLLAR, R. SWINGARM	G7	74	6	DUST SEAL, STEERING HEAD	F4	55	2
CIRCLIP, 20MM	E6	43	29	COLLAR, SHIFTER	E7	44	10				
CIRCLIP, 8MM	D12	33	5	COLLAR, SPLINE, 18X11.7	E5	42	15	[E]			
CIRCLIP, EXTERNAL, 14MM	E8	45	28	COLLAR, TANK SET	F15	66	5	ELEMENT, AIR CLEANER	G2	69	6
CIRCLIP, EXTERNAL, 19MM	E9	46	14	COLLAR, TENSIONER, 6X9	D8	29	5	EMBLEM, PRODUCT	F3	54	4
CIRCLIP, INTERNAL, 14MM	D14	35	22	COLLAR, THRUST PIVOT	G7	74	8	[F]			
CIRCLIP, INTERNAL, 30MM	E2	39	32	COLLAR, WATER PASS, 14MM	D10	31	1	FENDER SET, RR.	G12	79	2
CIRCLIP, INTERNAL, 35MM	F14	65	26	COTTER, VALVE	D4	25	16	FENDER SUB ASSY., FR.	F5	56	1
CIRCLIP, SPECIAL INTERNAL,				COUNTERSHAFT	E5	42	2	FILTER COMP., ENGINE OIL	D14	35	5
24MM	D14	35	14	COVER COMP., CYLINDER HEAD	D1	22	1	FLAP, RR. TUBE	F14	65	12
CLAMPER A, FR. BRAKE HOSE	F6	57	1	COVER COMP., DRIVE SPROCKET	D14	35	9	FLAP, TIRE	F9	60	11
CLAMPER B, FR. BRAKE HOSE	F6	57	2	COVER COMP., L. CRANKCASE	D14	35	2	FLOAT SET	E10	47	3
CLAMPER COMP., AIR VENT TUBE ..	D10	31	5	COVER, L. HANDLE LEVER	F1	52	12	FLYWHEEL COMP.	D16	37	1
CLAMPER, CORD	D16	37	3	COVER, L. SIDE	G1	68	5	FORK SUB ASSY., L. FR.	F7	58	26
CLAMP A, WATER HOSE	G14	81	13	COVER, OIL FILTER	D14	35	1	FORK SUB ASSY., R. FR.	F7	58	21
CLAMP, MASTER CYLINDER OIL				COVER, R. CRANKCASE	D10	31	2	FORK, CENTER GEARSHIFT	E7	44	3
HOSE	G2	69	20	COVER, R. HANDLE LEVER	F2	53	12	FORK, L. GEARSHIFT	E7	44	2
CLAMP, WATER HOSE, 25MM	G14	81	12	COVER, R. SIDE	G1	68	3	FORK, R. GEARSHIFT	E7	44	1
CLIP	E10	47	21	COVER, THROTTLE	E10	47	24	FRAME SET, FR.	G15	82	1
CLIP, MUDGUARD	G2	69	22	COVER, WATER PUMP	D13	34	2				
CLIP, OIL DRAIN TUBE	G2	69	1	CRANKCASE COMP., L.	E1	38	7				
				CRANKCASE COMP., R.	E1	38	1				
CLIP, PISTON PIN, 14MM	E3	40	6	CRANKSHAFT COMP.	E3	40	1				
CLIP, TUBE	E2	39	33	CUSHION ASSY., RR.	G9	76	1				
	E11	48	39	CUSHION, C.D.I. UNIT	G13	80	1				
				CYLINDER	D9	30	1				

PART NAME INDEX

J 3

Part name	Address	Page	Ref.	Part name	Address	Page	Ref.	Part name	Address	Page	Ref.
[G]				[H]				[K]			
GASKET KIT A	E13	50	1	GUIDE, SPRING	F6	57	4	KEY, SPECIAL WOODRUFF, 25X14..	E3	40	5
GASKET KIT B	E14	51	1	[H]				[L]			
GASKET SET	E10	47	1	HANGER, L. FR.	G15	82	3	[L]			
GASKET, CRANKCASE	E1	38	6	HANGER, R. FR.	G15	82	2	LABEL, CAUTION	H1	84	3
	E14	51	1	HARNESS, WIRE	G13	80	4	LABEL, DRIVE CHAIN	H1	84	1
GASKET, CYLINDER	D9	30	2	HEAD COMP., CYLINDER	D2	23	1	LABEL, RADIATOR CAP	G14	81	5
	E13	50	1	HOLDER B1, HANDLE PIPE UPPER ..	F3	54	6	LABEL, RR. DAMPER	G10	77	32
GASKET, CYLINDER HEAD	D2	23	6	HOLDER COMP., CAMSHAFT	D2	23	5	LABEL, RR. DAMPER WARNING	G10	77	32
	E13	50	1	HOLDER, L. LEVER BRACKET	F1	52	11	LEATHER COMP., SEAT	G1	68	2
GASKET, EX. PIPE	E13	50	1	HOLDER, MASTER CYLINDER	F2	53	5	LEVER COMP., CLUTCH LIFTER	E1	38	12
	G4	71	1	HOLDER, NEEDLE JET	E11	48	26	LEVER SET, PUMP	E10	47	13
GASKET, FLOAT CHAMBER	E10	47	25	HOSE A, WATER	G14	81	8	LEVER, HOT STARTER	F1	52	14
	E12	49	2	HOSE COMP. B, WATER	G14	81	9	LEVER, L. STEERING HANDLE	F1	52	13
GASKET, HEAD COVER	D1	22	3	HOSE COMP., RR. BRAKE	F12	63	1	LEVER, R. STEERING HANDLE	F2	53	11
	E13	50	1	HOSE C, WATER	G14	81	10	LIFTER ASSY., TENSIONER	D8	29	6
GASKET, L. COVER	D14	35	3	HOSE D, WATER	G14	81	11	LIFTER, VALVE	D4	25	11
	E14	51	1	HOSE, FR. BRAKE	F2	53	1	LOCK, PURSE	G2	69	19
GASKET, PLUG HOLE	D2	23	7	HOUSING, UNDER THROTTLE	F1	52	8	[M]			
	E13	50	1	HOUSING, UPPER THROTTLE	F1	52	7	MAINSHAFT COMP.	E5	42	1
GASKET, R. COVER	D10	31	3	HUB SUB ASSY., FR.	F9	60	6	MARK	H2	85	3
	E14	51	1	HUB SUB ASSY., RR.	F13	64	7	MARK, L. TANK SHROUD	H2	85	2
GASKET, TENSIONER LIFTER	D8	29	7	[I]				MARK, R. TANK SHROUD	H2	85	1
	E13	50	1	IMPELLER, WATER PUMP	D13	34	1	MUDGUARD, AIR CLEANER	G2	69	9
GASKET, WATER PUMP	D13	34	3	INSULATOR, CARBURETOR	D2	23	8	MUFFLER COMP.	G4	71	2
	E14	51	1	[J]				MUFFLER COMP., FR.	G4	71	9
GAUGE, OIL LEVEL	D14	35	7	JET, BY-STARTER, #68	E11	48	43	MUFFLER COMP., MIDDLE	G4	71	11
GEAR COMP., WATER PUMP	D13	34	4	JET, LEAK, #55	E11	48	42	MUFFLER COMP., RR.	G4	71	10
GEAR, BALANCER DRIVE	D11	32	1	JET, LEAK, #60	E11	48	42	[N]			
GEAR, BALANCER DRIVEN	E4	41	2	JET, LEAK, #65	E11	48	42	NEEDLE SET, JET	E11	48	36
GEAR, COUNTERSHAFT FIFTH	E5	42	14	JET, LEAK, #70	E11	48	42	NEEDLE, REBOUND	F6	57	15
GEAR, COUNTERSHAFT FOURTH	E5	42	11	JET, LEAK, #75	E11	48	42	NUT, 14MM	D11	32	14
GEAR, COUNTERSHAFT LOW	E5	42	3	JET, LEAK, #120	E12	49	5	NUT, ADJUSTER	G9	76	6
GEAR, COUNTERSHAFT SECOND	E5	42	6	JET, MAIN, #122	E12	49	5	NUT, CLIP, 6MM	G14	81	15
GEAR, COUNTERSHAFT THIRD	E5	42	9	JET, MAIN, #125	E12	49	5	NUT, FENDER SETTING	G2	69	21
GEAR, IDLE STARTER	E9	46	3	JET, MAIN, #128	E12	49	5	NUT, FIXING	F1	52	18
GEAR, MAINSHAFT FIFTH	E5	42	12	JET, MAIN, #132	E11	48	40	NUT, FLANGE, 10MM	G15	82	12
GEAR, MAINSHAFT FOURTH	E5	42	10	JET, MAIN, #135	E12	49	5	NUT, FLANGE, 12MM	D16	37	7
GEAR, MAINSHAFT SECOND	E5	42	4	JET, MAIN, #138	E12	49	5	NUT, FLANGE, 6MM	F2	53	19
GEAR, MAINSHAFT THIRD	E5	42	8	JET, MAIN, #140	E12	49	5	NUT, FLANGE, 7MM	G4	71	19
GEAR, OIL PUMP DRIVEN	D12	33	2	JET, OIL, #80	E1	38	19	NUT, FLANGE, 8MM	D2	23	17
GEAR, PRIMARY DRIVE	D11	32	10	JET, SLOW, #35	E11	48	41	NUT, HEX., 10MM	F7	58	29
GEAR, WATER PUMP DRIVEN	E4	41	3	JET, SLOW, #38	E11	48	41	NUT, HEX., 12MM	E4	41	5
GRILLE, RADIATOR	G14	81	3	JET, SLOW, #40	E11	48	41	NUT, HEX., 5MM	G3	70	25
GRIP COMP., THROTTLE	F1	52	5	JET, SLOW, #42	E11	48	41	NUT, HEX., 6MM	F12	63	15
GRIP, L. HANDLE	F1	52	6	JOINT SET, FUEL	E10	47	15	NUT, HEX., 8MM	F10	61	19
GUARD, AIR CLEANER	G2	69	10	JOINT, BRAKE ROD	F12	63	10	NUT, HEX., 14MM	F14	65	24
GUARD, L. ENGINE	G15	82	6	JOINT, BREATHER TUBE	G2	69	14	NUT, HEX., 17MM	G7	74	19
GUARD, RR. CALIPER	F11	62	9	JOINT, DRIVE CHAIN	G7	74	2	NUT, HEX., 5MM	G3	70	25
GUARD, R. ENGINE	G15	82	7	JOINT, FUEL TUBE	G2	69	3	NUT, HEX., 6MM	F12	63	15
GUIDE COMP., TUBE	E1	38	18	JOINT, KICK ARM	G5	72	3	NUT, HEX., 8MM	F10	61	19
GUIDE, CAM CHAIN	D8	29	8	JOINT, THREE WAY	E1	38	10		G7	74	20
GUIDE, CHAIN	G7	74	9								
GUIDE, DRIVE CHAIN	D14	35	10								
GUIDE, EX. VALVE	D2	23	3								
GUIDE, FR. BRAKE HOSE	F4	55	1								
GUIDE, IN. VALVE	D2	23	2								
GUIDE, RR. BRAKE HOSE	G7	74	4								

PART NAME INDEX

J 4

Part name	Address	Page	Ref.	Part name	Address	Page	Ref.	Part name	Address	Page	Ref.
NUT, HEX., 8MM	G15	82	13	PAD SET, RR.	F11	62	1	[R]			
NUT, SPECIAL, 6X7	G12	79	1	PARTS KIT, CARBURETOR OPTIONAL	E12	49	1	RADIATOR, L.	G14	81	2
NUT, SPRING, 6MM	G4	71	14	PAWL A, RATCHET	E7	44	11	RADIATOR, R.	G14	81	1
NUT, SQUARE, 5MM	D2	23	11	PAWL B, RATCHET	E7	44	12	RATCHET, KICK STARTER	E9	46	5
NUT, STEERING STEM	F3	54	5	PEDAL COMP., BRAKE	G5	72	6	RECEIVER, CLUTCH CABLE	D14	35	8
NUT, U, 10MM	G11	78	38	PEDAL COMP., CHANGE	G5	72	1	RETAINER, BRACKET	F11	62	4
				PIECE, CLUTCH LIFTER	D11	32	7	RETAINER, VALVE SPRING	D4	25	14
NUT, U, 14MM	F10	61	15	PINION, KICK STARTER	E9	46	4	RIM, FR. WHEEL	F9	60	8
NUT, U, 16MM	F14	65	18	PIN A, DOWEL, 12X16	D9	30	3	RIM, RR. WHEEL	F13	64	9
NUT, U, 6MM	F1	52	17	PIN D, JOINT	G5	72	14	RING	F2	53	8
	G7	74	18	PIN, GEARSHIFT RETURN SPRING ..	E7	44	20	RING SET, PISTON	E3	40	2
NUT, U, 8MM	F14	65	19	PIN, HANGER	F8	59	14	RING, BACK UP	F6	57	9
					F11	62	8	RING, OIL SEAL STOPPER	F7	58	17
[O]				PIN, PISTON	E3	40	4	RING, PISTON	G10	77	13
OIL SEAL SET	G10	77	17	PIN, SHIFTER	E7	44	8	RING, STOPPER	F6	57	5
OIL SEAL, 10X17X3	E2	39	30	PIN, SLIDE	F8	59	8				
OIL SEAL, 10X21X5	D14	35	16	PIN, SPLIT, 2.0X12	G5	72	13				
OIL SEAL, 12X22X5	D13	34	8	PIN, SPLIT, 2.0X18	G6	73	9	RING, WEAR	F7	58	20
OIL SEAL, 14X22X5	E2	39	28	PIN, STEP JOINT	G6	73	3	RIVET, BLIND, 4.8	G4	71	6
OIL SEAL, 18X30X5	E2	39	29	PIPE COMP., EX.	G4	71	4	ROD COMP.	G9	76	9
OIL SEAL, 20X28X5	D10	31	9	PIPE COMP., L. SLIDE	F7	58	25	ROD COMP., PISTON	F7	58	22
OIL SEAL, 20X30X7	E6	43	32	PIPE COMP., R. SLIDE	F6	57	12		G9	76	4
OIL SEAL, 32X48X7.5	E2	39	26	PIPE, STEERING HANDLE	F3	54	1	ROD COMP., PUSH	F12	63	8
OIL SEAL, 38X52X7	E2	39	27	PIPE, WATER	D2	23	12				
O-RING	F7	58	36	PISTON	E3	40	3	ROD SUB ASSY., CUSHION			
O-RING, 11.8X3.55	F15	66	2		F8	59	5				
O-RING, 13.8X2.4	D10	31	12		F11	62	12	CONNECTING	G10	77	29
	E14	51	1	PISTON SET, MASTER CYLINDER ...	F2	53	9	ROD, CLUTCH LIFTER	D11	32	9
O-RING, 13.8X2.5	D14	35	18		F12	63	5	ROLLER	E11	48	27
	E14	51	1	PIVOT, SHIFT DRUM STOPPER ARM ..	E7	44	21	ROLLER, 3X17.8	D12	33	6
O-RING, 15X2.5	D2	23	19	PLATE, BEARING HOLDER	E1	38	15	ROLLER, 4X8	E8	45	29
	E13	50	1		E4	41	7	ROLLER, CHAIN TENSIONER	G7	74	12
O-RING, 15.5X1.5	F7	58	33		E5	42	23	ROTOR, OIL PUMP INNER	D12	33	3
O-RING, 16.8X1.9	G11	78	47	PLATE, BREATHER	D1	22	2	ROTOR, OIL PUMP OUTER	D12	33	4
O-RING, 18X3	D10	31	11	PLATE, BUFFER	E11	48	31	RUBBER, FUEL TANK SETTING	F15	66	3
	D14	35	19	PLATE, CAM CHAIN GUIDE	E1	38	8	RUBBER, MOUNTING	D1	22	5
	E14	51	1	PLATE, CHAIN GUIDE	G7	74	11		E13	50	1
O-RING, 18.8X1.9	F7	58	34	PLATE, CLUTCH	D11	32	5	RUBBER, RADIATOR MOUNTING	G14	81	6
O-RING, 1.3X4.3	E10	47	18	PLATE, CLUTCH PRESSURE	D11	32	6	RUBBER, SIDE COVER STOPPER	G1	68	4
O-RING, 27X2	D10	31	10	PLATE, DIAPHRAGM	F12	63	6	RUBBER, STOPPER	F7	58	24
	E14	51	1	PLATE, DRIVE SPROCKET FIXING ..	E5	42	17		G9	76	10
O-RING, 2.0X33.5	G10	77	14	PLATE, FR. CASE	G2	69	8	RUBBER, TANK	G15	82	5
O-RING, 2.8X1.9	F7	58	35	PLATE, FR. NUMBER	F4	55	6	RUBBER, TANK MOUNTING	F15	66	4
O-RING, 37.2X2.4	F7	58	37	PLATE, GUIDE	E7	44	14				
O-RING, 39.8X2.2	D14	35	17	PLATE, OIL GUIDE	E9	46	1	[S]			
	E14	51	1	PLATE, RATCHET GUIDE	E9	46	9	SCREEN, OIL FILTER	E1	38	9
O-RING, 3.5X33.7	G10	77	15	PLATE, WEIGHT SETTING	D4	25	3	SCREW-WASHER, 4X14	E11	48	38
O-RING, 8.5X1.7	D14	35	15	PLUG, BREATHER TUBE	G2	69	15		E12	49	4
	E14	51	1	PLUG, SPARK	D2	23	24	SCREW-WASHER, 4X24	D16	37	5
OUTER COMP., CLUTCH	D11	32	2		D3	24	24	SCREW-WASHER, 4X8	E11	48	37
				PLUNGER, PAWL	E7	44	13	SCREW SET A	E10	47	6
[P]				PROTECTOR, EX. PIPE	G4	71	5	SCREW SET B	E10	47	10
PACKING, FUEL TANK CAP	F15	66	10	PROTECTOR, L. FR. FORK	F7	58	28	SCREW SET, JET NEEDLE	E10	47	11
PACKING, MUFFLER	G4	71	13	PROTECTOR, R. FR. FORK	F7	58	27	SCREW, BLEEDER	F8	59	3
PACK A, GLASS WOOL	G4	71	7	PUMP SET, DIAPHRAGM	E10	47	9		F11	62	10
PACK B, GLASS WOOL	G4	71	8					SCREW, FLAT, 4X12	F2	53	18
PAD SET, FR.	F8	59	2					SCREW, FLAT, 6X40	G8	75	27
								SCREW, FLAT, 8X31	F14	65	17

5

PART NAME INDEX

J 5

Part name	Address	Page	Ref.	Part name	Address	Page	Ref.	Part name	Address	Page	Ref.
SCREW, LOWER COWL SETTING	F15	66	19	SPRING, KICK STARTER RATCHET	E9	46	6	VALVE SET, FLOATING	E10	47	14
SCREW, PAN	E10	47	20	SPRING, L. STEP RETURN	G6	73	6	VALVE SET, STARTER	E10	47	16
SCREW, PAN, 4X12	F1	52	21	SPRING, OIL FILTER	D14	35	6	VALVE, EX.	D4	25	10
SCREW, PAN, 5X10	G8	75	26	SPRING, PAD	F8	59	6	VALVE, IN.	D4	25	9
SCREW, PAN, 5X8	G7	74	17		F11	62	3	VALVE, THROTTLE	E10	47	23
	G8	75	25	SPRING, PAWL PLUNGER	E7	44	15	VISOR, AIR CLEANER CASE	G2	69	11
SCREW, PAN, 6X12	F12	63	11	SPRING, RR. CUSHION	G9	76	2				
SCREW, SPECIAL FLAT, 6X17	E1	38	13	SPRING, R. STEP RETURN	G6	73	5	[W]			
SCREW, TAPPING, 5X12	G2	69	23	SPRING, SHIFT RETURN	E7	44	19	WASHER, 10MM	G15	82	14
SCREW, TAPPING, 5X16	G2	69	24	SPROCKET, CAM	D8	29	1	WASHER, 12X24	E4	41	6
SEAL SET, FR. FORK	F7	58	23	SPROCKET, DRIVE	E5	42	16	WASHER, 13X24X1.6	D14	35	12
SEAL SET, PISTON	F8	59	1	SPROCKET, FINAL	F13	64	2	WASHER, 14MM	E7	44	25
	F11	62	2	SPROCKET, FINAL DRIVEN	F13	64	2	WASHER, 16MM	F14	65	21
SEAL, DUST	F7	58	32	STAND COMP., MAIN	G6	73	1	WASHER, 6.1MM	E7	44	23
SEAL, EX. VALVE STEM	D4	25	1	START SET, HOT	E10	47	8	WASHER, 8MM	F14	65	20
SEAL, RING	D2	23	4	STATOR COMP.	D16	37	2		G8	75	21
	E13	50	1	STAY, AIR CLEANER ELEMENT	G2	69	5	WASHER, CHAIN SLIDER	G7	74	14
SEAL, WATER PUMP	D13	34	9	STEM SUB ASSY., STEERING	F4	55	4	WASHER, CONICAL SPRING	F8	59	16
SEAT COMP.	G1	68	1	STEP COMP., L.	G6	73	7	WASHER, DUST SEAL	F3	54	2
SEAT, SPRING	F6	57	7	STEP COMP., R.	G6	73	4	WASHER, FENDER MOUNTING	F15	66	22
	G10	77	23	STOPPER COMP., DRUM	E7	44	16	WASHER, HEADLIGHT CASE SETTING	G8	75	22
SEAT, VALVE SPRING	D4	25	15	STOPPER, BEAD	F10	61	12	WASHER, LOCK	D11	32	19
SENSOR ASSY., THROTTLE	E10	47	17		F14	65	15	WASHER, OIL BOLT	F2	53	16
SEPARATOR COMP.	F2	53	6	STOPPER, SPRING SEAT	G10	77	22	WASHER, PLAIN	F12	63	13
SHAFT COMP., BALANCER	E4	41	1	SWINGARM SUB ASSY., RR.	G7	74	15	WASHER, PLAIN, 10MM	E11	48	28
SHAFT C, SHIFT FORK	E7	44	5	SWITCH ASSY., ENGINE STOP	F1	52	4				
SHAFT SET, THROTTLE	E10	47	12					WASHER, PLAIN, 12MM	D16	37	6
SHAFT, BRAKE PIVOT	G5	72	8	[T]				WASHER, PLAIN, 15MM	F10	61	16
SHAFT, EX. ROCKER ARM	D4	25	8	TANK COMP., FUEL	F15	66	6	WASHER, PLAIN, 5MM	G4	71	20
SHAFT, GEARSHIFT FORK MAIN	E7	44	4	TENSIONER COMP., CAM CHAIN	D8	29	4	WASHER, PLAIN, 6MM	G3	70	26
SHAFT, OIL PUMP	D12	33	1	THREAD, STEERING HEAD TOP	F4	55	5	WASHER, PLAIN, 7MM	F1	52	19
SHAFT, SWINGARM PIVOT	G7	74	5	TIRE, FR.	F9	60	9	WASHER, PLAIN, 8MM	D2	23	18
SHIFTER, GEARSHIFT DRUM	E7	44	9	TIRE, RR.	F13	64	10		G4	71	21
SHIM, TAPPET	D4	25	17	TOP SET	E10	47	4	WASHER, RADIATOR MOUNTING	G14	81	16
	D5	26	17	TUBE A, BREATHER	E1	38	3	WASHER, SEALING, 6MM	D8	29	12
	D6	27	17		G2	69	16	WASHER, SEALING, 6.5MM	D10	31	8
	D7	28	18	TUBE B, BREATHER	E1	38	4		D13	34	6
SHROUD SET, L. RADIATOR	F15	66	15		G2	69	17	WASHER, SEALING, 7MM	D13	34	5
SHROUD SET, R. RADIATOR	F15	66	14	TUBE C, BREATHER	E1	38	5		D14	35	13
SLIDER, CHAIN	G7	74	13	TUBE COMP., AIR VENT	E11	48	34	WASHER, SEALING, 8MM	E1	38	17
SLIDER, CHAIN GUIDE	G7	74	10	TUBE, AIR CLEANER CONNECTING	G2	69	12		E14	51	1
SLIDER, THROTTLE CABLE	F1	52	9	TUBE, AIR VENT	E11	48	33	WASHER, SPECIAL, 6MM	D8	29	13
SPANNER A, PIN	G16	83	1		G2	69	18	WASHER, SPRING, 4MM	F1	52	22
SPANNER B, PIN	G16	83	2	TUBE, FUEL	F15	66	13	WASHER, SPRING, 8MM	F10	61	20
SPINDLE COMP., GEARSHIFT	E7	44	18	TUBE, FUEL CAP BREATHER	F15	66	8		F14	65	25
SPINDLE, KICK STARTER	E9	46	8	TUBE, OUTER	F6	57	8	WASHER, THRUST INVOLUTE, 18X23X1.6	E5	42	21
SPOKE SET A, FR.	F9	60	1	TUBE, OVERFLOW	E11	48	32	WASHER, THRUST INVOLUTE, 20X26X1	E5	42	22
SPOKE SET, RR.	F13	64	1	TUBE, TIRE	F9	60	10	WASHER, THRUST, 10X24X1	D11	32	17
SPRING ASSY., RR. BRAKE RETURN	G5	72	7		F13	64	11	WASHER, THRUST, 14MM	D11	32	18
SPRING, BRAKE LEVER	F2	53	10		F14	65	11				
SPRING, CLUTCH	D11	32	8	TUBE, VINYL, 6X9X670	G14	81	18				
SPRING, DECOMPRESSION	D4	25	4								
SPRING, DRUM STOPPER	E7	44	17	[V]							
SPRING, EX. VALVE	D4	25	13	VALVE ASSY., RELIEF	D14	35	4				
SPRING, FR. FORK	F6	57	3	VALVE COMP., REED	E1	38	11				
SPRING, IN. VALVE	D4	25	12	VALVE SET, FLOAT	E10	47	2				
SPRING, KICK STARTER	E9	46	10								
	G5	72	5								

5

PART NAME INDEX

J 6

Part name	Address	Page	Ref.	Part name	Address	Page	Ref.	Part name	Address	Page	Ref.
WASHER, THRUST, 15MM	E6	43	24								
WASHER, THRUST, 15X1	E6	43	26								
WASHER, THRUST, 16.5MM	E6	43	25								
WASHER, THRUST, 17MM	D11	32	16								
WASHER, THRUST, 18MM	E5	42	20								
WASHER, THRUST, 20MM	E6	43	27								
	E9	46	13								
WASHER, WAVE	F8	59	15								
WEIGHT, DECOMPRESSION	D4	25	2								
WHEEL SUB ASSY., FR.	F9	60	7								
WHEEL SUB ASSY., RR.	F13	64	8								
WRENCH, NIPPLE	G16	83	3								
WRENCH, PLUG	G16	83	4								

1

FOREWORD INDEX

2

ENGINE GROUP

3

FRAME GROUP

4

PART NUMBER INDEX

5

PART NAME INDEX

HONDA
The Power of Dreams