



XL200

XL200

(03/04/05/06/07/08/09/A/B)

PARTS CATALOGUE
CATALOGUE DE PIÉCES
CATALOGO DE PIEZAS

5

INDEX

INDEX

INDICE

INSTRUCTIONS

AVANT PROPOS INDEX

INSTRUCCIONES

1

ENGINE GROUP

GROUPE MOTEUR

GRUPO DE MOTOR

2

FRAME GROUP

GROUPE CADRE

GRUPO DE BASTIDOR

3

PART NUMBER INDEX

INDEX DES NUMEROS

**INDICE DEL NUMERO
DE LA PIEZA**

4

PARTS CATALOGUE
DRAFT
00X1B-KBBP-005
7 # 5 CB
31/01/2011



***R-206* Maceio Red
(2003 ~ 2011)**



***NH-196* White Ross
(2003 ~ 2011)**

Instructions for use of parts catalogue

- This parts catalogue was prepared based on the latest information available as of 2011, January 31.
- Always specify the part number when ordering a part.
 - Check the model, type, serial numbers, color, maker, and the size as needed before ordering a part.
 - Note that the illustrations (part drawings) can differ from the actual parts in shape. They are given just to help you to refer to the parts.
- When modifications or additions to this parts catalogue are made, a revised edition will be issued at an appropriate time, with successively progressing revision numbers on the cover.
- **We recommend obtaining such revisions in order to keep your parts catalogue up-to-date at all times. To check whether a parts catalogue revision has been issued, please contact your HONDA distributor.**

Contents

• Instruction for use of parts catalogue	1
• How to refer to the part information.....	2
• Part catalogue structure.....	3
• When the parts were revised	4
• Abbreviations used in the parts catalogue	4
• How to check the part block and serial numbers	5
• Models, area codes and applicable serial numbers	5
• Color Label	6
• Color chart	7
• Fuel Hose, general Purpose Hoses and Vinyl Hose.....	9
• Bulk Part number of Fuel Hose, General Purpose Hose and Vinyl Hose	11
• How to use the flat rate time (F.R.T.)	12
• Index Engine group.....	42
• Index Frame group.....	44
• Part. No. index	174



How to refer to the part information

B Reference with "Part number index"

PART NUMBER INDEX

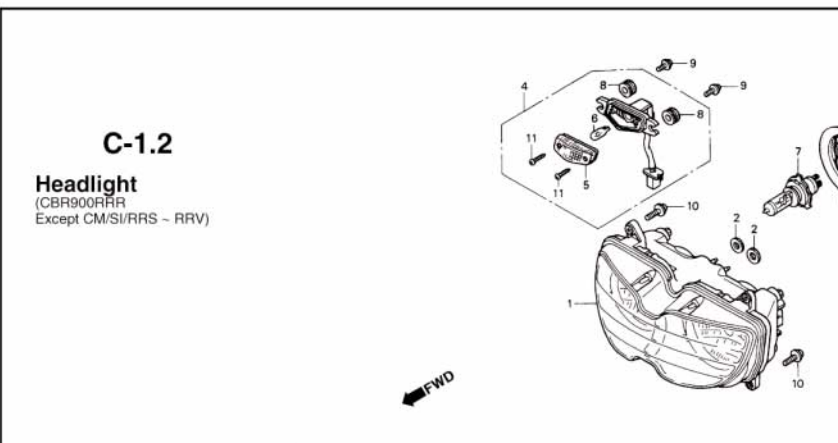
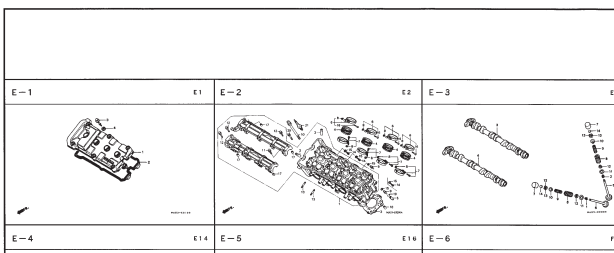
Part n° N° de Pièce N° de la Pièce	Block n° N° de Adresse N° del Bloque	Part n° N° de Pièce N° de la Pièce	Block n° N° de Adresse N° del Bloque	Part n° N° de Pièce N° de la Pièce	Block n° N° de Adresse N° del Bloque	Part n° N° de Pièce N° de la Pièce	Block n° N° de Adresse N° del Bloque	Part n° N° de Pièce N° de la Pièce	Block n° N° de Adresse N° del Bloque
06000		12331-KV8-920	E-1	14523-KBB-901	E-3	16000		170	
		12339-383-000	E-1	14535-437-000	E-3				
06430-KFC-900	F-11	12339-KBB-305	E-1	14550-KCJ-710	E-3	16010-428-671	E-15	17210-KBB-981	
06431-MA3-405	F-9	12361-KY0-890	E-1	14711-KBB-900	E-2	16012-KBB-980	E-15	17212-KBB-951	
		12361-KY0-890	E-11	14721-KBB-900	E-2	16013-439-921	E-15	17212-PA0-000	
				14751-383-005	E-2	16014-KZ1-670	E-15	17213-KB7-000	
		13000		14761-383-005	E-2	16015-KB7-901	E-15	17214-KV2-000	
11100-KBB-902	E-11			14771-107-020	E-2	16016-393-701	E-15	17216-KBB-951	
11108-KV1-900	E-13	13000-KBB-901	E-12	14775-107-000	E-2	16018-428-671	E-15	17219-KB7-000	
11191-KBB-305	E-11	13011-KBB-305	E-12	14776-107-010	E-2	16021-KBB-951	E-15	17220-KB7-000	
11191-KBB-900	E-11	13021-KBB-305	E-12	14781-MB4-008	E-2	16022-KBB-951	E-15	17222-KBB-901	
11200-KBB-900	E-11	13031-KBB-305	E-12			16028-KBB-951	E-15	17240-KBB-951	
11330-KBB-900	E-5	13101-KBB-901	E-12			16032-KBB-900	E-15	17256-KBB-901	
11340-KV8-920	E-8	13102-KBB-315	E-12	15000		16048-KB7-901	E-15	17316-MH1-67	
11355-KV8-920	E-8	13103-KBB-315	E-12			16075-GH8-640	E-15	17358-170-000	

C Reference with "Part name index"

PART NAME INDEX

Description	Block N°	Ref. N°	Description	Block N°	Ref. N°	Description
A			BEARING, RADIAL BALL, 6202U	F-10	21	BOLT, FLANG
ADJUSTER, CHAIN	F-21	3	BEARING, RADIAL BALL, 6203U	F-12	18	BOLT, FLANG
ARM SET, CUSHION	F-22	4	BEARING, RADIAL BALL, 6204	E-13	27	BOLT, FLANG
ARM SET, LINK	E-15	7	BEARING, RADIAL BALL, 6207	E-13	11	BOLT, FLANG
ARM, RR, BRAKE	F-11	8	BEARING, RADIAL BALL, 6303U	F-12	19	BOLT, FLANG
ARM, VALVE ROCKER	E-2	3	BEARING, RADIAL BALL, 6202U	E-13	23	BOLT, FLANG
AXLE, FR, WHEEL	F-10	1	BEARING, SWINGARM PIVOT (INTN)	F-21	16	BOLT, FLANG
AXLE, RR, WHEEL	F-11	2	BEARING, SWINGARM PIVOT (TOMUSON)	F-21	16	BOLT, FLANG
B			BODY COMP., FRAME "NH146M" ACCURATE SILVER METALLIC	F-28	2	BOLT, FLANG
BAG, TOOL, 160MM	F-29	21	BODY, KEY	F-29	3	BOLT, FLANG
BAND, AIR CLEANER CONNECTING TUBE	F-16	14	BOLT A, CYLINDER STUD	E-11	8	BOLT, FLANG
BAND, AIR CLEANER CONNECTING TUBE (S2)	F-16	24	BOLT A, PIN	F-9	9	BOLT, FLANG
BAND, BATTERY	F-26	3	BOLT B, CYLINDER STUD	E-11	9	BOLT, FLANG
			BOLT COMP., FR. FORK	F-8	17	BOLT, FLANG
			BOLT, CAM CHAIN TENSIONER PIVOT	E-3	7	BOLT, FLANG
			BOLT, T. PLAININATION GARTER SPRING	E-6	10	BOLT, FLANG

A Reference with "Illustrated index"

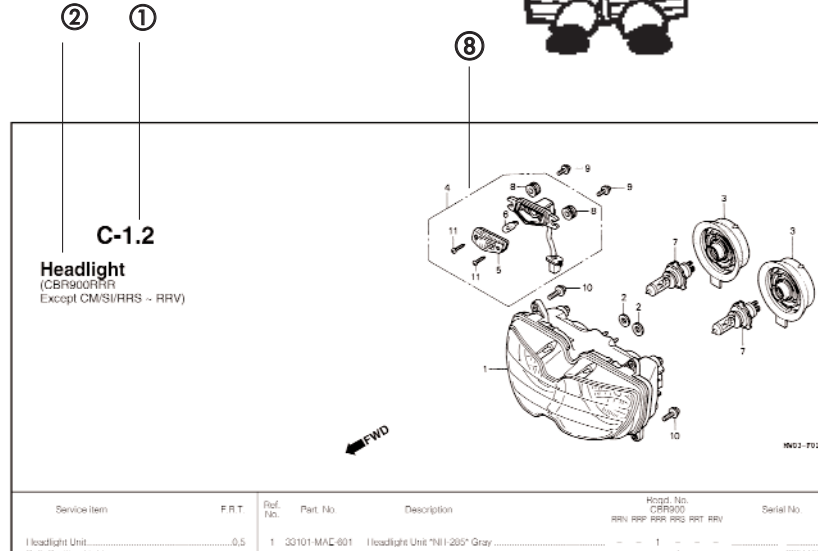


Service item	F. R. T.	Ref. No.	Part. No.	Description	Reqd. No CBR900
					RRN RRP RRR RRS RRT RRN
Headlight Unit	0,5	1	33101-MAE-601	Headlight Unit "NH-285" Gray	- - 1 - -
• Bulb Position Light					- - - 1 - -
Bulb	0,1				- - - 1 - -
• Bulb, Headlight			33101-MAE-612	Headlight Unit "NH-283" Gray (Caution During Installation)	- - - 1 - -
					- - - 1 - -
			33101-MAE-671	Headlight Unit "NH-1" Black	- - - 1 - -
					- - - 1 - -
			33101-MAE-691	Headlight Unit	- - - 1 - -
			33101-MAE-602	Headlight Unit	- - - 1 - -
					- - - 1 - -

1

Back
Retour
Volver

Parts catalogue structure



Service Item	F.R.T.	Ref. No.	Part No.	Description	Qty. XL200	Serial No.
Headlight Unit	0.5	1	33101-MAC-001	Headlight Unit "N11-205" Gray	1	

Service Item	F.R.T.	Ref. No.	Part No.	Description	Qty. XL200	Serial No.	Note
VALVE SET, AIR CUT	0.3	1	16010-426-671	GASKET SET	1		
CHAMBER SET, FLOAT	0.4	2	16012-K00-980	NEEDLE SET, JET	1		
• TOP SET		+	16012-KRR-081	NEEDLE SET, JET	1		
• DIAPHRAGM SET, PUMP	0.5	+	16012-K00-670	NEEDLE SET, JET	1		
FLOAT SET	0.6	3	16013-K00-921	FLOAT SET	1		
• JET, MAIN		4	16014-K21-670	TOP SET	1		
• VALVE COMP, FLOAT		b	16015-K01-901	CLAMBER SET, FLOAT	1		
• CARBURETOR ASSY	0.7	6	16016-K00-701	SCREW SET	1		
• VALVE, THROTTLE		7	16018-426-671	ARM SET, LINK	1		
• ARM SET, LINK	0.8	8	16021-K00-951	DIAPHRAGM SET, PUMP	1		
• LINK SET		9	16028-KRR-051	SCREW SET R	1		
NEEDLE SET, Jet	0.9	10	16022-K00-900	LINK SET	1		
		11	16046-K07-901	VALVE SET, AIR CUT	1		
		12	16075-GHR-610	O-RING, 1.5x1.5	1		
		13	16100-K00-880	CARBURETOR ASSY, (PD&M A)	1		2LA
		+	16100-KRR-881	CARBURETOR ASSY, (PD&M A)	1		2LA
		+	16104-K00-671	CARBURETOR ASSY, (PD&M A)	1		2LA
		+	16100-K00-980	CARBURETOR ASSY, (PD&M A)	1		DK
		+	16100-KRR-051	CARBURETOR ASSY, (PD&M A)	1		DK
		+	16104-K00-661	CARBURETOR ASSY, (PD&M A)	1		DK
		14	16111-K00-951	VALVE, THROTTLE	1		
		15	16155-307-071	VALVE COMP, FLOAT	1		
		16	16163-KCS-920	GASKET, FLOAT CLAMBER	1		
		17	16165-KRR-951	HOLDER, NEEDLE, JET	1		
		18	16169-302-014	HOLDER, JET	1		
		19	16189-K00-900	TUBE	1		

① Block number

② Block name

③ Service item/Flat rate time

④ Reference number

- Title number marked with the parenthesis or parentheses indicates that it continues from the previous page.

⑤ Part number

⑥ Description

⑦ HONDA color code

⑧ Assemblies

- Sections framed with broken lines in the exploded view drawings are available as complete assemblies. (Their individual parts can also be obtained.)

⑨ Color description

⑩ Attention

- Attention are shown with the parentheses in the part name column.

⑪ Required quantity

- Reqd. QTY shown in the parenthesis or parentheses indicates the optional part.
- Reqd. QTY marked with "N" indicates the optional part that should be selected as needed.
- Reqd. QTY indicates the number of the part used in the block.

⑫ Serial number

⑬ Note

1

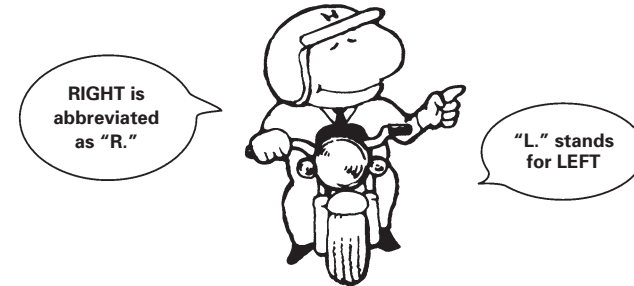


Back
Retour
Volver

When the parts were revised



Abbreviations used in the parts catalogue



Ref. No.	Part. No.	Description	Reqd. No.						Serial No.
			RRV	RRP	RRS	RRS	RRT	RRV	
1	33101-MAE-601	Headlight Unit "NH-285" Gray	-	-	1	-	-	-	-2351159
	33101-MAE-612	Headlight Unit "NH-283" Gray	-	-	1	-	-	-	-2351712
		(Caution During Installation)							
			-	-	1	-	-	-	-2351309
			-	-	1	-	-	-	-2351434
			-	-	1	-	-	-	-2350300
			-	-	1	-	-	-	-0M300138
	33101-MAE-671	Headlight Unit "NH-1" Black	-	-	1	-	-	-	-SM300366
	33101-MAE-691	Headlight Unit	-	-	1	-	-	-	-2351160-
	33101-MAE-602	Headlight Unit	-	-	1	-	-	-	-2351713-
			-	-	1	1			

The number has been used from the initial model without revision.

When shown at the left side, it is applicable to the models of No. 2351160 and the subsequent numbers.

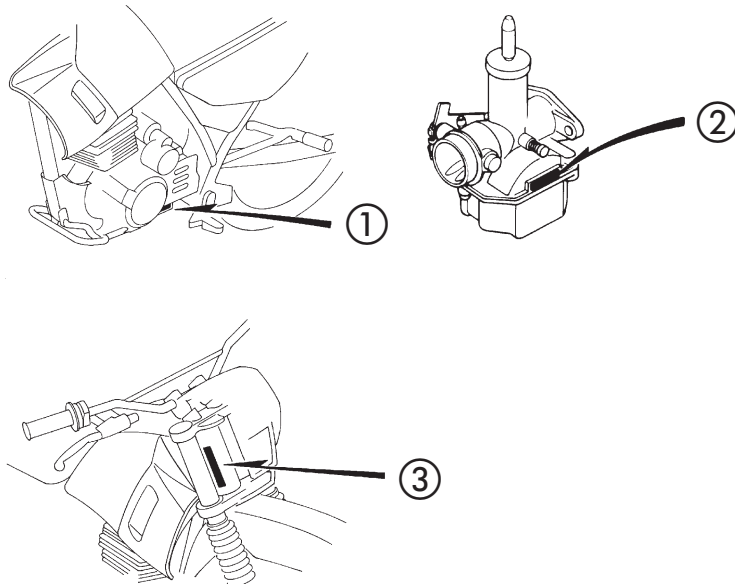
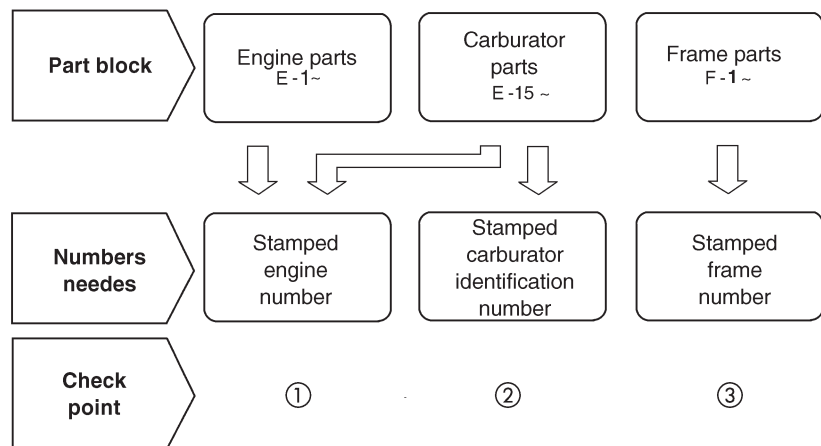
When shown at the right side, it is applicable to the models up to No. 2351159.

* "L." or "R." in the description of a part stands for the LEFT hand side or the RIGHT hand side. Determine the left or right as if you were in the motorcycle seat.

• The following abbreviations are used in this parts catalogue.

ASSY.	Assembly
COMP.	Complete
R.	Right
L.	Left
STD.	Standard
MM.	Millimeter
G.	Gram
T (22T)	Tooth (22 Teeth)
A.	Ampere
V.	Volt
W.	Watt
WL.	With labelling
WOL.	Without labelling
L.E.D.	Light emitted diode
KPH.	Kilometers per hour
MPH.	Miles per hour
L (100L)	Link (100 Links)
A.C.	Alternating current
D.C.	Direct current
IN.	Inlet
EX.	Exhaust
FR.	Front
RR.	Rear
HEX.	Hexagonal
A.M.	Attaching mark
T.M.	Transcript mark
C.D.I.	Capacitive discharge ignition
ABS.	Anti-lock brake system
TCS.	Traction control system
1LA.	República Dominicana, El Salvador Venezuela, Guatemala, Guiana (Mercosul: Argentina, Paraguai, Uruguay)
2LA.	Colombia, México
DK.	General Export
CL.	Chile

How to check the part block and serial numbers



Models, area codes and applicable serial numbers

Models, area codes and applicable serial Nos. given in this parts catalogue can be identified as follows.

Parts with area codes are exclusive for models destined for countries designated. If no area codes are listed, parts are for common use.

Model	Area code	Type	Applicable engine serial No.	Applicable frame serial No.	Applicable carburetor identification No.
XL200 (3,4,5,6,7,8,9,10,11)	DK	General Export (KPH)	•	•	PD9AE
	2LA	Latin America	•	•	PD9AD
	CL	Chile	•	•	PD9AC

* Of carburetor identification numbers, only the portions underlined in the example below are used for registration.

PD9AE KC

Selection table for lock or blank key

Refer to the following selection table to select the lock or blank key.

Type	Key No.
1	A**, B**

*: 0, 1, 2, 3, 4, 5, 6, 7, 8 or 9

1



Back
Retour
Volver

Color label

- When ordering parts, check the model name, main color, and code by observing the "COLOR LABEL" on the vehicle.
- When ordering a colored part, use the color chart in the instruction for use of parts catalogue.

1

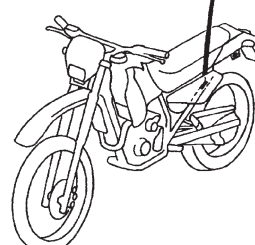


Back
Retour
Volver

XL200

COLOR NH-196

CODE NH196



No	Model		XL200				Ref	
	Code		Ross White NH-196	Maceio Red R-206	Aplicable model			Aplicable block No.
			NH196	R206	Initial aplicable model	Final aplicable model		
	Name of colored parts	Basic part No.						
1								
2								
3								
4								
5								
6								
7								
8								

Color chart

- When ordering a colored part, refer to the chart below and use a part number consisting of the relevant basic part number to which has been added a part color code.

XL200 (2001, 02, 03, 04, 05, 06, 07, 08, 09, 10, 11)

No	Model		XL200					Ref. No.
	Code		Ross White NH-196	Maceio Red R-206	Aplicable model		Aplicable block No.	
			NH196	R206	Initial aplicable model	Final aplicable model		
Name of colored parts		Basic part No.						
1	BOOT, FR. FORK	51611-KR6-013	ZH	ZH			F-8	21
2	BODY COMP., FRAME	50100-KBB-980	ZA	ZA			F-28	2
3	COVER SET, L. SIDE	83600-KBB-980	ZA	ZB			F-15	4
4	COVER SET, R. SIDE	83500-KBB-980	ZA	ZB			F-15	2
5	FENDER COMP., RR.	80200-KBB-980	ZA	ZB			F-23	12
6	FENDER, FR.	61100-KBB-980	ZA	ZB			F-7	1
7	GRIP, R. RR.	50311-KBB-900	ZE	ZE			F-23	5
8	GUIDE, AIR	64203-KBB-900	ZC	ZH			F-13	14
9	HOLDER, UPPER	53131-KBB-950	ZA	ZA			F-5	8
10	LABEL, COLOR	87565-KBB-980	ZA	ZB			F-30	6
11	MARK B, L. SIDE COVER	87134-KBB-970	ZA	ZA			F-31	8
12	MARK B, R. SIDE COVER	87133-KBB-970	ZA	ZA			F-31	7
13	MARK, ELETRIC STARTER	87128-KBB-980	ZA	ZA			F-31	6
14	MARK, FR. VISOR	87122-KBB-980	ZA	ZA			F-31	1
15	MARK, L. FUEL TANK	87124-KBB-980	ZA	ZB			F-31	3
16	MARK, L. SHROUD	87127-KBB-980	ZA	ZB			F-31	5
17	MARK, R. FUEL TANK	87123-KBB-980	ZA	ZB			F-31	2
18	MARK, R. SHROUD	87126-KBB-980	ZA	ZB			F-31	4
19	PIPE, STEERING, HANDLE	53100-KBB-930	ZC	ZC			F-5	7
20	PLATE, FR. ENGINE HANGER	50203-KBB-900	ZF	ZF			F-28	5
21	SEAT COMP., DOUBLE	77200-KBB-980	ZA	ZA			F-14	2
22	SHROUD SET, L.	19200-KBB-980	ZA	ZB			F-13	13
23	SHROUD SET, R.	19100-KBB-980	ZA	ZB			F-13	12
24	STAY, RR. TANK	50205-KBB-900	ZK	ZK			F-28	7
25	TANK SET, FUEL	17550-KBB-980	ZA	ZB			F-13	8
26	VISOR SET, FR.	61300-KBB-980	ZA	ZB			F-1	9
27*	CUSHION ASSY, RR.	52400-KBB-980	ZA	ZA			F-22	1
28*	CUSHION ASSY, RR.	52400-KBB-981	ZA	ZA			F-22	1
29	GUARDE L. KNUCKLE	53185-KBB-950	ZB	ZF			F-3	35
30	GUARDE R. KNUCKLE	53180-KV2-900	ZE	ZM			F-4	19

1



Back
Retour
Volver

XL200 CL (Chile) (2001, 2002, 2003, 04, 05, 06, 07, 08, 09, 10, 11)

No	Model		XL200					Ref. No.
	Code		Ross White NH-196	Maceio Red R-206	Aplicable model		Aplicable block No.	
	Name of colored parts	Basic part No.	NH196	R206	Initial applicable model	Final applicable model		
1	BODY COMP., FRAME	50100-KBB-980	ZA	ZA			F-28	2
2	BOOT. FR. FORK	51611-KR6-013	ZH	ZH			F-8	21
3	COVER SET, L. SIDE	83600-KBB-980	ZA	ZB			F-15	4
4	COVER SET, R. SIDE	83500-KBB-980	ZA	ZB			F-15	2
5	CUSHION ASSY., RR.	52400-KBB-980	ZA	ZA			F-22	1
6	CUSHION ASSY., RR.	52400-KBB-981	ZA	ZA			F-22	1
7	FENDER COMP., RR.	80200-KBB-980	ZA	ZB			F-23	12
8	FENDER, FR.	61100-KBB-980	ZA	ZB			F-7	1
9	GRIP, R. RR.	50311-KBB-900	ZE	ZE			F-23	5
10	GUARD, L. KNUCKLE	53185-KBB-980	ZB	ZF			F-3	35
11	GUARD, R. KNUCKLE	53180-KBB-980	ZA	ZB			F-4	19
12	GUIDE, AIR	64203-KBB-900	ZC	ZH			F-13	14
13	HOLDER,UPPER	53131-KBB-950	ZA	ZA			F-5	8
14	LABEL, COLOR	87565-KBB-980	ZA	ZB			F-30	6
15	MARK B, L. SIDE COVER	87134-KBB-970	ZA	ZA			F-31	8
16	MARK B, R. SIDE COVER	87133-KBB-970	ZA	ZA			F-31	7
17	MARK, ELECTRIC STARTER	87128-KBB-980	ZA	ZA			F-31	6
18	MARK. FR. VISOR	87122-KBB-980	ZA	ZA			F-31	1
19	MARK, L. FUEL TANK	87124-KBB-980	ZA	ZB			F-31	3
20	MARK, L. SHROUD	87127-KBB-980	ZA	ZB			F-31	5
21	MARK, R. FUEL TANK	87123-KBB-980	ZA	ZB			F-31	2
22	MARK, R. SHROUD	87126-KBB-980	ZA	ZB			F-31	4
23	PIPE, STEERING HANDLE	53100-KBB-930	ZC	ZC			F-5	7
24	PLATE, FR. ENGINE RANGER	50203-KBB-900	ZF	ZF			F-28	5
25	SEAT COMP., DOUBLE	77200-KBB-980	ZA	ZA			F-14	2
26	SHROUD SET. L.	19200-KBB-980	ZA	ZB			F-13	13
27	SHROUD SET, R.	19100-KBB-980	ZA	ZB			F-13	12
28	STAY, RR-TANK	50205-KBB-900	ZK	ZK			F-28	7
29	TANK SET, FUEL	17550-KBB-980	ZA	ZB			F-13	8
30	VISOR SET, FR.	61300-KBB-980	ZA	ZB			F-1	9



Back
Retour
Volver

Fuel hose, general purpose hoses and vinyl hose

- The standard part fuel hose, general purpose hose and vinyl hose may be substituted by the coiled bulk part.
- When ordering the standard part fuel hose, general purpose hose and vinyl hose use the bulk part number written in the parts catalog in brackets () underneath the part name, or use the catalog below. (The bulk part standard length is 1 m, however, those displayed in the catalog < > are available in 3 m and 8 m length).
- When exchanging the hose, cut and use at the specified length as mentioned in the part name. (For the method of cutting the bulk part, and method of filling out orders etc., please refer to the service manual and the instructions issued with the bulk part.)
- The list below is a catalog of the standard part numbers and bulk part numbers. Note that those number are applicable to the listed replacement parts only.

Fuel hose				General purpose hose				General purpose hose			
Standard part number	Bulk part number	Bulk part		Standard part number	Bulk part number	Bulk part		Standard part number	Bulk part number	Bulk part	
		Inside diameter (mm)	Length (m)			Inside diameter (mm)	Length (m)			Inside diameter (mm)	Length (m)
95001-30XXX-2X	95001-30001-20M	3.0	1	95005-30XXX-3X	95005-30001-30M	3.0	1	95005-75XXX-1X	95005-75001-10M	7.3	1
95001-30XXX-3X	95001-30001-30M	3.0	1	95005-30XXX-5X	95005-30001-50M	3.0	1	<95005-75003-10M>		7.3	3
9500-30XXX-4X	95001-30001-40M	3.0	1	95005-35XXX-1X	95005-35001-10M	3.5	1	95005-75XXX-2X	95005-75001-20M	7.3	1
95001-35XXX-2X	95001-35001-50M	3.5	1	95005-35XXX-4X	<95005-35003-10M>	3.5	3	95005-80XXX-1X	95005-80001-10M	8.0	1
95001-35XXX-5X	<95001-35003-50M>	3.5	3		<95005-35008-10M>	3.5	8	<95005-80003-10M>		8.0	3
95001-35XXX-3X	95001-35001-60M	3.5	1	95005-35XXX-2X	95005-35001-20M	3.5	1	95005-80XXX-2X	95005-80001-20M	8.0	1
95001-35XXX-4X	<95001-35003-60M>	3.5	3	95005-35XXX-3X	95005-35001-30M	3.5	1	95005-80XXX-3X	95005-80001-30M	8.0	1
95001-35XXX-6X				95005-35XXX-5X	95005-35001-50M	3.5	1	95005-80XXX-5X	95005-80001-50M	8.0	1
95001-45XXX-2X	95001-45001-50M	4.5	1	95005-45XXX-1X	95005-45001-10M	4.5	1	95005-11XXX-3X	95005-11001-30M	11.0	1
95001-45XXX-5X	<95001-45003-50M>	4.5	3	95005-45XXX-4X	<95005-45003-10M>	4.5	3	95005-11XXX-5X	95005-11001-50M	11.0	1
95001-45XXX-3X	95001-45001-60M	4.5	1		<95005-45008-10M>	4.5	8	95005-12XXX-1X	95005-12001-10M	12.0	1
95001-45XXX-4X	<95001-45003-60M>	4.5	3	95005-45XXX-2X	95005-45001-20M	4.5	1	<95005-12003-10M>		12.0	3
95001-45XXX-6X	<95001-45008-60M>	4.5	8	95005-45XXX-3X	95005-45001-30M	4.5	1	95005-12XXX-2X	95005-12001-20M	12.0	1
95001-55XXX-2X	95001-55001-50M	5.5	1	95005-45XXX-5X	95005-45001-50M	4.5	1	95005-12XXX-3X	95005-12001-30M	12.0	1
95001-55XXX-5X	<95001-55003-50M>	5.5	3	95005-50XXX-3X	95005-50001-30M	5.0	1	95005-12XXX-5X	95005-12001-50M	12.0	1
	<95001-55008-50M>	5.5	8		<95005-50003-30M>	5.0	3	95005-91XXX-3X	95005-91001-30M	12.0	1
95001-55XXX-3X	95001-55001-60M	5.5	1	95005-50XXX-5X	95005-50001-50M	5.0	1	95005-91XXX-5X	95005-91001-50M	12.0	1
95001-55XXX-4X	<95001-55003-60M>	5.5	3	95005-55XXX-1X	95005-55001-10M	5.3	1	95005-92XXX-3X	95005-92001-30M	12.0	1
95001-55XXX-6X	<95001-55008-60M>	5.5	8	95005-55XXX-4X	<95005-55003-10M>	5.3	3	95005-92XXX-5X	95005-92001-50M	12.0	1
					<95005-55008-10M>	5.3	8	95005-14XXX-1X	95005-14001-10M	14.0	1
95001-75XXX-2X	95001-75001-50M	7.5	1	95005-55XXX-2X	95005-55001-20M	5.3	1	95005-14XXX-2X	95005-14001-20M	14.0	1
95001-75XXX-5X	<95001-75003-50M>	7.5	3		<95005-55003-20M>	5.3	3	<95005-14003-20M>		14.0	3
95001-75XXX-3X	95001-75001-60M	7.5	1	95005-65XXX-1X	95005-65001-10M	6.5	1	95005-14XXX-3X	95005-14001-30M	14.0	1
95001-75XXX-4X	<95001-75003-60M>	7.5	3		<95005-65003-10M>	6.5	3	95005-14XXX-5X	95005-14001-50M	14.0	1
95001-75XXX-6X	<95001-75008-60M>	7.5	8	95005-65XXX-2X	95005-65001-20M	6.5	1	95005-17XXX-1X	95005-17001-10M	17.0	1
95001-80XXX-2X	95001-80001-50M	8.0	1					95005-17XXX-2X	95005-17001-20M	17.0	1
95001-80XXX-5X				95005-70XXX-3X	95005-70001-30M	7.0	1	95005-17XXX-3X	95005-17001-30M	17.0	1
95001-80XXX-3X					<95005-70003-30M>	7.0	3	95005-17XXX-5X	95005-17001-50M	17.0	1
95001-80XXX-4X	95001-80001-60M	8.0	1	95005-70XXX-5X	95005-70001-50M	7.0	1				
95001-80XXX-6X											

⚠ WARNING

It is **DANGEROUS** to confuse fuel hose with the general purpose hose or vinyl hose.

Never use a general purpose hose or vinyl hose in place of a fuel hose or vice versa.

Always use the correct bulk part in the parts catalogue, according to the service manual or the instructions issued with the bulk part.

1



Back
Retour
Volver

Fuel hose, general purpose hoses and vinyl hose

Vinil hose				
Standard part number	Bulk part number	Bulk part		
		Inside diameter (mm)	Outside diameter (mm)	Length (m)
95003-01XXX-3X	95003-01001-60M	2.9	6.8	1
95003-01XXX-60	<95003-01003-60M>	2.9	6.8	3
95003-03XXX-3X	95003-03001-60M	3.0	6.0	1
95003-03XXX-60	<95003-03003-60M>	3.0	6.0	1
95003-05XXX-3X	95003-05001-60M	3.5	6.5	1
95003-05XXX-60	<95003-05003-60M>	3.5	6.5	3
	<95003-05008-60M>	3.5	6.5	8
95003-07XXX-1X	95003-07001-10M	4.0	7.0	1
95003-07XXX-20	<95003-07003-10M>	4.0	7.0	3
95003-07XXX-3X	95003-07001-60M	4.0	7.0	1
95003-07XXX-60	<95003-07003-60M>	4.0	7.0	3
	<95003-07008-60M>	4.0	7.0	8
95003-07XXX-7X	95003-07001-70M	4.0	7.0	1
	<95003-07003-70M>	4.0	7.0	3
	<95003-07008-70M>	4.0	7.0	8
95003-08XXX-1X	95003-08001-10M	4.5	6.5	1
	<95003-08003-10M>	4.5	6.5	3
	<95003-08008-10M>	4.5	6.5	8
95003-09XXX-3X	95003-09001-60M	4.5	8.0	1
95003-09XXX-60	<95003-09003-60M>	4.5	8.0	3
95003-12XXX-1X	95003-12001-10M	5.0	7.0	1
95003-12XXX-20	<95003-12003-10M>	5.0	7.0	3
	<95003-12008-10M>	5.0	7.0	8
95003-10XXX-1X	95003-10001-10M	5.0	8.0	1
95003-10XXX-20	<95003-10003-10M>	5.0	8.0	3
95003-10XXX-3X	95003-10001-60M	5.0	8.0	1
95003-10XXX-60	<95003-10003-60M>	5.0	8.0	3
95003-11XXX-3X	95003-11001-60M	5.0	9.0	1
95003-11XXX-60	<95003-11003-60M>	5.0	9.0	3
	<95003-11008-60M>	5.0	9.0	8
95003-14XXX-1X	95003-14001-10M	6.0	9.0	1
95003-14XXX-20	<95003-14003-10M>	6.0	9.0	3
95003-14XXX-3X	95003-14001-60M	6.0	9.0	1
	<95003-14003-60M>	6.0	9.0	3
95003-17XXX-1X	95003-17001-10M	7.0	9.0	1
	<95003-17003-10M>	7.0	9.0	3
95003-19XXX-1X	95003-19001-10M	7.0	11.0	1
95003-19XXX-20	<95003-19003-10M>	7.0	11.0	3
	<95003-19008-10M>	7.0	11.0	8
95003-19XXX-3X	95003-19001-60M	7.0	11.0	1
95003-19XXX-60	<95003-19003-60M>	7.0	11.0	3
	<95003-19008-60M>	7.0	11.0	8
95003-21XXX-1X	95003-21001-10M	8.0	9.0	1
95003-21XXX-20	<95003-21003-10M>	8.0	9.0	3
95003-23XXX-1X	95003-23001-10M	8.0	12.0	1
95003-23XXX-20	<95003-23003-10M>	8.0	12.0	3

Vinil hose				
Standard part number	Bulk part number	Bulk part		
		Inside diameter (mm)	Outside diameter (mm)	Length (m)
95003-23XXX-3X	95003-23001-60M	8.0	12.0	1
95003-23XXX-60	<95003-23003-60M>	8.0	12.0	3
	<95003-23008-60M>	8.0	12.0	8
95003-25XXX-1X	95003-25001-10M	9.0	11.0	1
95003-25XXX-20	<95003-25003-10M>	9.0	11.0	3
95003-25XXX-3X	95003-25001-60M	9.0	11.0	1
	<95003-25003-60M>	9.0	11.0	3
95003-25XXX-7X	95003-25001-70M	9.0	11.0	1
	<95003-25003-70M>	9.0	11.0	3
95003-27XXX-1X	95003-27001-10M	9.0	13.0	1
95003-27XXX-20	<95003-27003-10M>	9.0	13.0	3
95003-27XXX-3X	95003-27001-60M	9.0	13.0	1
95003-27XXX-60	<95003-27003-60M>	9.0	13.0	3
95003-33XXX-1X	95003-33001-10M	10.0	14.0	1
95003-33XXX-20	<95003-33003-10M>	10.0	14.0	3
95003-36XXX-1X	95003-36001-10M	11.0	13.0	1
95003-36XXX-20	<95003-36003-10M>	11.0	13.0	3
	<95003-36008-10M>	11.0	13.0	8
95003-37XXX-3X	95003-37001-60M	11.0	15.0	1
95003-37XXX-60	<95003-37003-60M>	11.0	15.0	3
95003-38XXX-1X	95003-38001-10M	12.0	13.0	1
95003-38XXX-20	<95003-38003-10M>	12.0	13.0	3
95003-39XXX-1X	95003-39001-10M	12.0	14.0	1
95003-39XXX-20	<95003-39003-10M>	12.0	14.0	3
95003-40XXX-20	95003-40001-10M	12.0	16.0	1
	<95003-40003-10M>	12.0	16.0	3
95003-40XXX-3X	95003-40001-60M	12.0	16.0	1
95003-40XXX-60	<95003-40003-60M>	12.0	16.0	3
95003-43XXX-1X	95003-43001-10M	13.0	15.0	1
95003-43XXX-20	<95003-43003-10M>	13.0	15.0	3
	<95003-43008-10M>	13.0	15.0	8
95003-45XXX-1X	95003-45001-10M	14.0	18.0	1
95003-45XXX-20	<95003-45003-10M>	14.0	18.0	3
	<95003-45008-10M>	14.0	18.0	8
95003-50XXX-1X	95003-50001-10M	16.0	19.0	1
95003-50XXX-20	<95003-50003-10M>	16.0	19.0	3
95003-50XXX-3X	95003-50001-60M	16.0	19.0	1
	<95003-50003-60M>	16.0	19.0	3
95003-55XXX-1X	95003-55001-10M	17.5	20.5	1
95003-55XXX-20	<95003-55003-10M>	17.5	20.5	3
95003-60XXX-1X	95003-60001-10M	22.0	27.0	1
95003-60XXX-20	<95003-60003-10M>	22.0	27.0	3
95003-60XXX-3X	95003-60001-60M	22.0	27.0	1
95003-60XXX-60	<95003-60003-60M>	22.0	27.0	3

WARNING

It is DANGEROUS to confuse fuel hose with the general purpose hose or vinyl hose.

Never use a general purpose hose or vinyl hose in place of a fuel hose or vice versa.

Always use the correct bulk part in the parts catalogue, according to the service manual or the instructions issued with the bulk part.

Bulk part number of fuel hose, general purpose hose and vinyl hose

Example: 9 5 0 0 1 - 7 5 0 0 1 - 5 0 M

Bulk part number: Refers to the bulk part.

Marking code (hose type) : (fuel hose and general purpose hose)

Change code (for added hose) : (Vinyl hose)

- Indicates number mark or change sequence, however, the code for the bulk part must be strictly 0 (zero)

Types of code:

- Fuel hose: 5 : Black inside braid
2 : Red outside braid
(3 mm inside dia. only)
6 : Black
3 : Red (3 mm inside dia. only)
4 : Ash gray with red stripe
(3 mm inside dia. only)

- General hose: 1 : Ash gray
2 : Ash gray
3 : Black
5 : Black

- Vinyl hose: 1 : Clear
2 : Black
3 : Light red
7 : Pale black
6 : Light red

Lengths : 001 : 1 m (Standard)

003 : 3 m
008 : 8 m

I.D. code : (fuel hose and general purpose hose)

30 : 3.0 mm	11 : 11 mm
35 : 3.5 mm	91 : 12 (outside dia. 15) mm
45 : 4.5 mm	92 : 12 (outside dia. 16) mm
50 : 5.0 mm	12 : 12 (outside dia. 17) mm
55 : 5.3 mm	14 : 14 mm
5.5 mm	17 : 17 mm
65 : 6.5 mm	
70 : 7.0 mm	
75 : 7.3 mm	
7.5 mm	
80 : 8.0 mm	

01 : DI 2.9, DE 6.8 mm
03 : DI 3.0, DE 6.0 mm
05 : DI 3.5, DE 6.5 mm
07 : DI 4.0, DE 7.0 mm
08 : DI 4.5, DE 6.5 mm
09 : DI 4.5, DE 8.0 mm
12 : DI 5.0, DE 7.0 mm
10 : DI 5.0, DE 8.0 mm
11 : DI 5.0, DE 9.0 mm

ID./OD. code : (vinyl hose)

14 : DI 6.0, DE 9.0 mm	37 : DI 11.0, DE 15.0 mm
17 : DI 7.0, DE 9.0 mm	38 : DI 12.0, DE 13.0 mm
19 : DI 7.0, DE 11.0 mm	39 : DI 12.0, DE 14.0 mm
21 : DI 8.0, DE 9.0 mm	40 : DI 12.0, DE 16.0 mm
23 : DI 8.0, DE 12.0 mm	43 : DI 13.0, DE 15.0 mm
25 : DI 9.0, DE 11.0 mm	45 : DI 14.0, DE 18.0 mm
27 : DI 9.0, DE 13.9 mm	50 : DI 16.0, DE 19.0 mm
33 : DI 10.0, DE 14.0 mm	55 : DI 17.5, DE 20.5 mm
36 : DI 11.0, DE 13.0 mm	60 : DI 22.0, DE 27.0 mm

Hose type : 1 Fuel hose

2 General hose
3 Vinyl hose



Back
Retour
Volver

How to use the flat rate time (F.R.T.)

This F.R.T. (Flat Rate Time) is used to determine the standard labor time allowed for replacement of parts covered by the warranty during the period the warranty is in effect. The F.R.T. for those parts which are not listed herein should be determined from the operation closely related to the replacement of that part.

1. The F.R.T. is based on the following servicing conditions

- a. A liberal allowance is added to the net servicing time.
- b. Standard times specified are based on the condition that the necessary servicing tools listed in the service manual (motorcycle) which describes the HONDA service policy are available close at hand and the work performed by a mechanic with normal skill.
- c. Time required for inspection and operational test following the servicing is included in the F.R.T.

2. Method of computing

The job times are listed in tenth of an hour to simplify computation.

Example: 0,3 = 18 minutes

5,6 = 5 hours and 36 minutes

Conversion Chart			
Hours	Minutes	Hours	Minutes
0,1	6	0,6	36
0,2	12	0,7	42
0,3	18	0,8	48
0,4	24	0,9	54
0,5	30	1,0	60

1



Back
Retour
Volver

3. Computing the F.R.T.

When several jobs are performed at the same time, make the calculation in the following manner.

a. Jobs of non duplicated nature

The F.R.T. for the job is obtained by totalling the F.R.T. for each part replaced.

Example: Replacement of cylinder and clutch spring.

Service item	F.R.T.
Cylinder	1.8
Clutch Spring	0.8

The F.R.T. for the job is: $1.8 + 0.8 = 2.6$

b. Jobs of duplicated nature

Take the F.R.T. for the last part to be replaced.

Example: Replacement of piston and cylinder head gasket.

Service item	F.R.T.
Cylinder head gasket	1.5
Pistón	1.9

The F.R.T. for the job is: 1.9

c. Jobs of partially related nature

Total up the F.R.T. for all of the parts replaced and then subtract the F.R.T. for the duplicated operation.

Example: Replacement of gearshift drum and crankshaft comp.

Service item	F.R.T.
Gearshift drum	4.1
Crankshaft comp.	*4.3
Crankcase disassembly	*3.9

The F.R.T. for the job is: $(4.1 + 4.3) - 3.9 = 4.5$

Crankcase disassembly is the duplicated operations.

- The F.R.T. shown with (*) includes engine removal and installation.
- The parts, having the same number of man-hour, are identified by a mark "•", and classified under the title of their representative work.

4. Operations other than replacing parts

a. Removal and instalation

No.	Service item	F.R.T.
1	Carburetor	0.9
2	Engine	2.2
3	Cylinder Head	*3.1
4	Crankcase Disassembly	*5.7

b. Adjustment, measurement and cleaning
Engine

No.	Service item	F.R.T.
1	Carburetor Idle Adjustment	0.1
2	Throttle Operation Adjustment	0.1
3	Clutch Adjustment	0.1
4	Ignition Timing Inspection	0.2
5	Oil Filter Screen Cleaning	0.9
6	Carburetor Float Level Measurement	1.1
7	Valve Clearance Adjustment	1.8



Frame

No.	Service item	F.R.T.
1	Rr. Brake Adjustment	0.1
2	Brake Operation Test	0.1
3	Headlight Aimings	0.1
4	Drive Chain Adjustment	0.1
5	FR. Brake Air Bleeding	0.2

c. Overhaul

No.	Service item	F.R.T.
1	Carburetor Overhaul	1.7

All information, illustrations, directions and specifications included in this publication are based on the latest product information available at the time of approval for printing.

MOTO HONDA DA AMAZÔNIA LTDA. reserves the right to make changes at any time without notice and without incurring any obligation whatever.

No part of this publication may be reproduced without written permission.

MOTO HONDA DA AMAZÔNIA LTDA.
Service Department
Technical Publications Sector.

Instructions pour l'utilisation du catalogue de pièces

- Ce catalogue de pièces a été préparé en se basant sur les dernières informations disponibles au 31 Janvier 2011.
- **Toujours spécifier le numéro de pièce lors de la commande d'une pièce.**
- Vérifier le modèle, type, les numéros de série, la couleur, le fabricant et la taille comme il convient avant de commander une pièce.
- Noter que les illustrations (schémas de pièce) peuvent varier en forme par rapport aux pièces actuelles
Elles sont simplement donnés pour vous aider à vous reporter aux pièces.
- **Lorsque des modifications ou des additions au catalogue de pièces sont apportées, une édition révisée est publiée à un moment approprié, avec un numéro de révision progressif sur la couverture. Nous recommandons d'obtenir ces révisions afin de garder à tout moment le catalogue de pièces à jour. Pour vérifier si une révision du catalogue de pièces a été publiée, prière de contacter votre distributeur HONDA.**

Índice

• Instructions pour l'utilisation du catalogue de pièces.....	15
• Comment se reporter a une information sur les pièces	16
• Estructure du catalogue de pièces	17
• Lorsque les piécès int ètè rëvisès	18
• Abreviations utilisées dans le catalogue de pièces.....	18
• Comment vérifier le bloc de pièce et les numeros de série	19
• Modèles, codes du catalogue de pièces et numèros de série applicables	19
• Identification couleur	20
• Table de couleur	21
• Flexible d'alimentation, flexibles à but gènèral et flexible em vinyle	23
• Numèro de pièce em vrac des flexibles à carburant, flexibles tous usages et flexibles en vinyle.....	25
• Emploi de durèe uniform de temps de rëparation (T.D.R)	26
• Groupe Moteur	42
• Groupe Cadre.....	44
• Index Des Numeros	174



Comment se reporter à une information sur les pièces

B Référence avec "Index des numéros"

INDEX DES NUMEROS

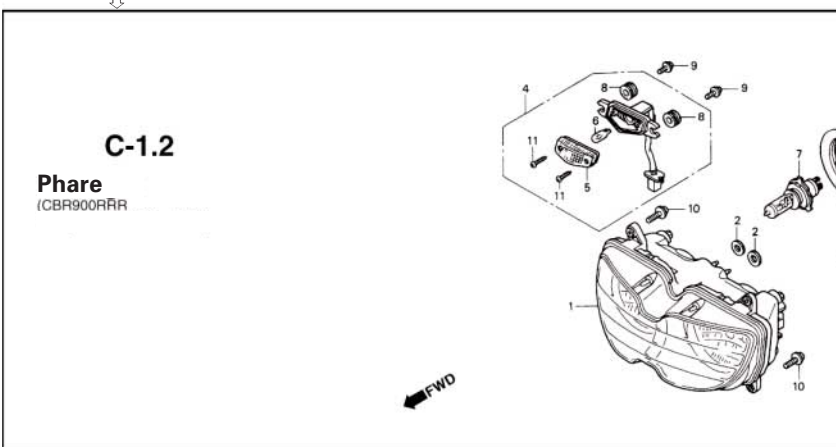
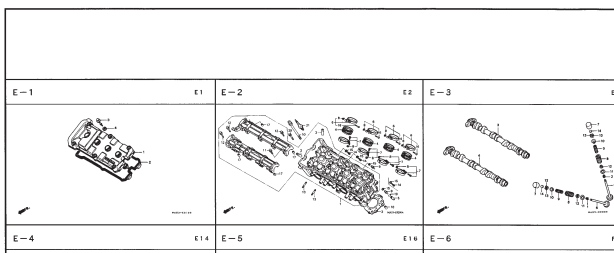
Part n° N° de Pièce N° del Bloque	Block n° N° de Adresse N° del Bloque	Part n° N° de Pièce N° de la Pieza	Block n° N° de Adresse N° del Bloque	Part n° N° de Pièce N° de la Pieza	Block n° N° de Adresse N° del Bloque	Part n° N° de Pièce N° de la Pieza	Block n° N° de Adresse N° del Bloque	Part n° N° de Pièce N° de la Pieza	Block n° N° de Adresse N° del Bloque
06000		12331-KV0-920	E-1	14523-KBB-901	E-3	16000		17000	
		12339-383-000	E-1	14535-437-000	E-3				
00-KFC-900	F-11	12339-KBB-305	E-1	14550-KCJ-710	E-3	16010-428-671	E-15	17210-KBB-980	F-1
01-MA3-405	F-9	12361-KY0-890	E-1	14711-KBB-900	E-2	16012-KBB-980	E-15	17212-KBB-950	F-1
		12361-KY0-890	E-11	14721-KBB-900	E-2	16014-KZ1-670	E-15	17212-PA0-000	F-1
				14771-KBB-900	E-2	16013-439-921	E-15	17213-KB7-000	F-1
				14751-383-005	E-2	16014-KZ1-670	E-15	17214-KV2-920	F-1
		13000		14761-383-005	E-2	16015-KB7-901	E-15	17216-KBB-950	F-1
00-KBB-902	E-11			14771-107-020	E-2	16016-393-701	E-15	17219-KB7-000	F-1
05-KW1-900	E-13	13000-KBB-901	E-12	14775-107-000	E-2	16019-428-671	E-15	17220-KB7-000	F-1
91-KBB-305	E-11	13011-KBB-305	E-12	14776-107-010	E-2	16021-KBB-981	E-15	17222-KBB-900	F-1
91-KBB-900	E-11	13021-KBB-305	E-12	14781-MB4-000	E-2	16028-KBB-951	E-15	17240-KBB-950	F-1
00-KBB-900	E-11	13031-KBB-305	E-12			16032-KBB-900	E-15	17256-KBB-900	F-1
00-KBB-900	E-5	13101-KBB-901	E-12			16048-KB7-901	E-15	17358-170-000	F-1
00-KWB-920	E-8	13102-KBB-315	E-12	15000		16075-GH-640	E-15		
55-KWB-920	E-8	13103-KBB-315	E-12						
01-KBB-900	E-8	13111-440-000	E-12	15100-KBB-900	E-7			17371-KBB-900	F-1

C Référence avec "Index des dénominations de pièces"

INDEX DES DENOMINATIONS

Description	N° de Adresse	N° de ref	Description	N° de Adresse	N° de ref	Description
BOULON DE BRIDE, 6X10	F-27	13	BOULON DE BRIDE, 6X60	E-8	18	BOULON DE TAMBOUR
BOULON DE BRIDE, 6X12	E-3	15	BOULON DE BRIDE, 6X60	E-10	20	BOULON DE
BOULON DE BRIDE, 6X12	F-6	11	BOULON DE BRIDE, 6X60	E-11	14	BOULON DE
BOULON DE BRIDE, 6X12	F-8	13	BOULON DE BRIDE, 6X70	E-8	19	BOULON DE
BOULON DE BRIDE, 6X12	F-13	23	BOULON DE BRIDE, 6X14	F-14	7	BOULON DE
BOULON DE BRIDE, 6X12	F-17	16	BOULON DE BRIDE, 6X14	F-28	23	BOULON DE
BOULON DE BRIDE, 6X12	F-27	14	BOULON DE BRIDE, 6X16	F-23	17	BOULON DE
BOULON DE BRIDE, 6X12	F-29	20	BOULON DE BRIDE, 6X18	F-19	20	BOULON DE
BOULON DE BRIDE, 6X14	E-8	13	BOULON DE BRIDE, 6X20	F-17	13	BOULON FIX
BOULON DE BRIDE, 6X14	F-19	13	BOULON DE BRIDE, 6X26	F-18	15	BOULON HEX
BOULON DE BRIDE, 6X16	F-2	13	BOULON DE BRIDE, 6X32	F-17	14	BOULON HEX
BOULON DE BRIDE, 6X16	F-13	24	BOULON DE BRIDE, 6X36	F-5	19	BOULON HEX
BOULON DE BRIDE, 6X16	F-16	30	BOULON DE BRIDE, 6X40	F-9	16	BOULON HEX
BOULON DE BRIDE, 6X18	F-1	17	BOULON DE BRIDE, 6X40	F-23	18	BOULON HEX
BOULON DE BRIDE, 6X20	E-1	25	BOULON DE BRIDE, 6X45	F-5	17	BOULON HEX
BOULON DE BRIDE, 6X20	E-8	14	BOULON DE BRIDE, 6X45	F-6	9	BOULON SPE

A Référence avec "Index des dénominations de pièce"



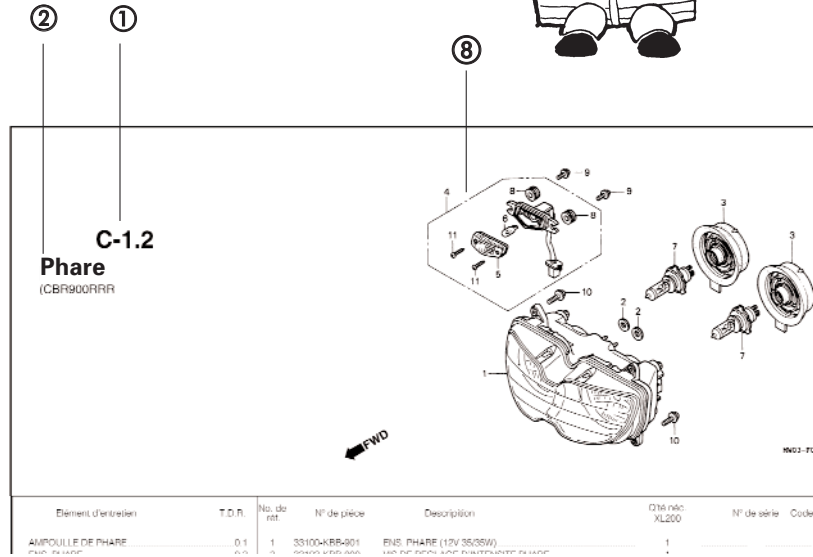
Élément d'entretien	T.D.R.	No. de réf.	N° de pièce	Description	Q'té néc. XL200
AMPOULE DE PHARE0.1	1	33100-KBB-901	ENS. PHARE (12V 35/35W)	1
ENS. PHARE0.2	2	33103-KBB-900	VIS DE REGLAGE D'INTENSITE PHARE	1
• UNITE DE PHARE		3	33107-KBB-900	RESSORT DE REGLAGE D'INTENSITE PHARE	1
JEU DE VISIERE AV.		4	33112-KBB-901	COUVERCLE DE CAOUTCHOUC	1
		5	33117-KA2-003	ECROU DE REGLAGE D'INTENSITE PHARE (STANLEY)	1
		6	33120-KBB-901	UNITE DE PHARE	1
		7	34901-KWB-900	AMPOULE DE PHARE (12V35/350W)	1
		8	50142-437-970	ANNEAU DE COUVERCLE LATERAL	2
		9	61300-KBB-980ZA	JEU DE VISIERE AV. (WL) "NH196" BLANC ROSS	1
			61300-KBB-980ZB	"R206" ROUGE MACIS	1
		10	61302-KBB-900	CAOUTCHOUC DE JOINT DE PHARE	1
		11	80101-165-000	CAOUTCHOUC DE TAMPON DE GARDE BOUE AR	2
		12	90001-961-670	COLLIER DE MONTAGE LATERALE	2
		13	90286-147-670	RONDELLE DE REGLAGE D'INTENSITE PHARE	1
		14	93901-34210	VIS AUTO-TARAUDEUSE, 4X10	2
		15	96001-06018-00	BOULON DE BRIDE, 6X18	2

1



Back
Retour
Volver

Estructure du catalogue de pièces



Elément d'entretien	T.D.R.	No. de ref.	N° de pièce	Description	Qté néc. XL200	N° de série	Code d
AMPOULE DE PHARE	0.1	1	33100-KBB-001	ENS. PHARE (12V 35/35W)	1		
ENS. PHARE	0.2	2	33103-KBB-000	VIS DE REGLAGE D'INTENSITE PHARE	1		
UNITÉ DE PHARE		3	33107-KBB-000	RESSORT DE REGLAGE D'INTENSITE PHARE	1		
JEU DE VISIERE AV.		4	33112-KBB-001	COUVERCLE DE CAOUTCHOUC	1		
		5	33117-KA2-003	EPILOI DE REGLAGE D'INTENSITE PHARE (STANLEY)	1		
		6	33120-KBB-001	UNITÉ DE PHARE	1		
		7	34901-KWB-000	AMPOULE DE PHARE (12V35/350W)	1		
		8	50142-437-970	ANNEAU DE COUVERCLE (LATERAL	2		
		9	61300-KB6-980ZA	JEU DE VISIERE AV. (WL) *NH196* BLANC ROSS	1		
			61300-KBB-980ZB	*R206* ROUGE MACIS	1		
		10	61302-KBB-000	CAOUTCHOUC DE JOINT DE PHARE	1		
		11	80101-165-000	CAOUTCHOUC DE TAMPON DE GARDE BOUE AR.	2		
		12	90001-961-670	COLLIER DE MONTAGE LATERALE	2		
		13	90286-147-670	RONDELLE DE REGLAGE D'INTENSITE PHARE	1		
		14	93901-34210	VIS AUTO-TARAUSEUSE, 4X10	2		
		15	96001-06018-00	BOULON DE BRIDE, 6X18	2		

Elément d'entretien	T.D.R.	No. de ref.	N° de pièce	Description	Qté néc. XL200	N° de série	Code d
AMPOULE DE PHARE	0.1	1	33100-KBB-001	ENS. PHARE (12V 35/35W)	1		
ENS. PHARE	0.2	2	33103-KBB-000	VIS DE REGLAGE D'INTENSITE PHARE	1		
UNITÉ DE PHARE		3	33107-KBB-000	RESSORT DE REGLAGE D'INTENSITE PHARE	1		
JEU DE VISIERE AV.		4	33112-KBB-001	COUVERCLE DE CAOUTCHOUC	1		
		5	33117-KA2-003	EPILOI DE REGLAGE D'INTENSITE PHARE (STANLEY)	1		
		6	33120-KBB-001	UNITÉ DE PHARE	1		
		7	34901-KWB-000	AMPOULE DE PHARE (12V35/350W)	1		
		8	50142-437-970	ANNEAU DE COUVERCLE (LATERAL	2		
		9	61300-KB6-980ZA	JEU DE VISIERE AV. (WL) *NH196* BLANC ROSS	1		
			61300-KBB-980ZB	*R206* ROUGE MACIS	1		
		10	61302-KBB-000	CAOUTCHOUC DE JOINT DE PHARE	1		
		11	80101-165-000	CAOUTCHOUC DE TAMPON DE GARDE BOUE AR.	2		
		12	90001-961-670	COLLIER DE MONTAGE LATERALE	2		
		13	90286-147-670	RONDELLE DE REGLAGE D'INTENSITE PHARE	1		
		14	93901-34210	VIS AUTO-TARAUSEUSE, 4X10	2		
		15	96001-06018-00	BOULON DE BRIDE, 6X18	2		

① Titre de bloc

② Numero de bloc

③ Item d'entretien de réparation

④ Numéro de référence

- Numéro de titre marqué entre parenthèses ou les parenthèses indiquent qui l continue de la page précédente.

⑤ Numéro de pièce

⑥ Code de couleurs HONDA

⑦ Description

⑧ Ensembles

- Les sections encadrées de lignes brisées dans les scémas de vue éclatée sont disponibles comme ensemble complets. (Leurs pièces individuelles peuvent également être Obtenues.)

⑨ Description de couleur

⑩ Note

- Les notes sont indiquées entre parentheses dans la colonne désignation de pièce.

⑪ Quantité nécessaire

- La Q'té néc. Indiquée dans la ou les parenthèses indique la pièce em option.
- La Q'té néc marquée d'un N indique la pièce em option qui devrait être sélectionnée le cas échéant.
- La Q'té néc. Indique le numéro de la pièce utilisée dans le bloc.

⑫ Numéro de série

⑬ Code de catalogue de pièces

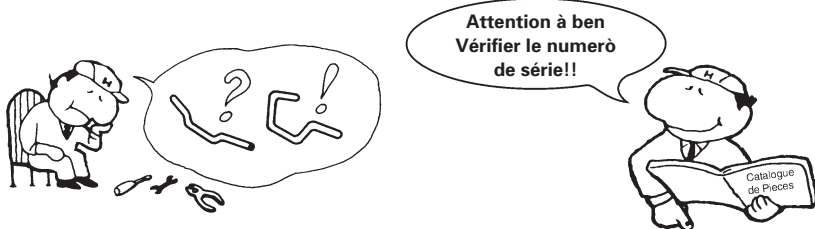
- Lorsque la colonne code du catalogue de pièces est vierge, cela indique que la pièce est appropriée à tous les types.

1



Back
Retour
Volver

Lorsque les pièces ont été révisées



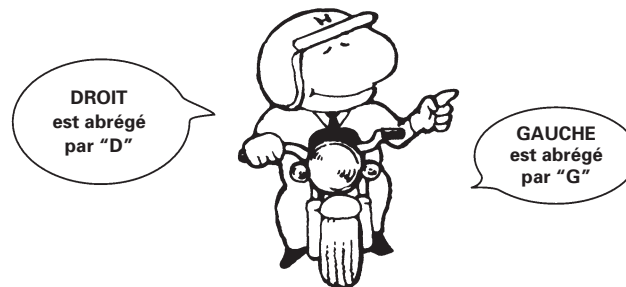
de. f.	N° de pièce	Description	Qté néc. CB400	N° de série
1	45156-MCE-000	AGRAFE DE DURITE DE FREIN D. AV.	1 1	
2	45157-MCE-000	AGRAFE DE DURITE DE FREIN G. AV.	1 1	
3	61100-MCE-000ZA	GARDE-BOUE COMP. AV. *NH411M*		
		ARGENTE METALLIQUE FORCE	1 -	3J,4J
			- 1	
	61100-MCE-000ZB	*PB284C*...BLEU BONBON PHENIX	1 -	J,2J
4	61101-MCE-000	PLAQUE DE GARDE-BOUE AV.	2 2	1008000
	61101-MCE-010	2 2	1008001
5	61102-MCE-300	TAMPON, AILE AV. (NOIR)	2 2	
5	61105-MCE-000	ASSISE DE MONTAGE DE PARE-CHOCS AV.	2 2	
7	61107-MR7-000	COLLIER (6,5)	4 4	
3	96001-06020-00	BOULON DE BRIDE, 6X20	4 4	

Le numéro a été utilisé du modèle initial sans révision

Lorsqu'indiqué au côté gauche, il est approprié aux modèles du N° 1008001 et suivants.

Lorsqu'indiqué au côté droit, il est approprié aux modèles jusqu'au N° 1008000

Abreviations utilisées dans le catalogue de pièces



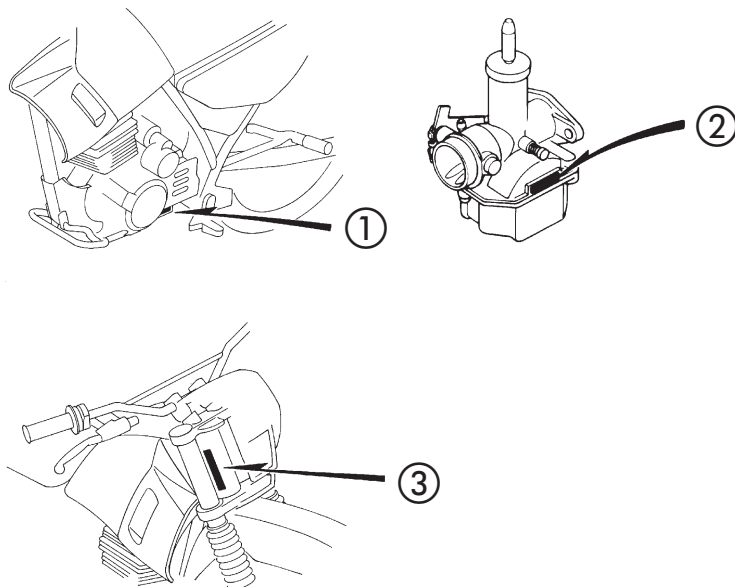
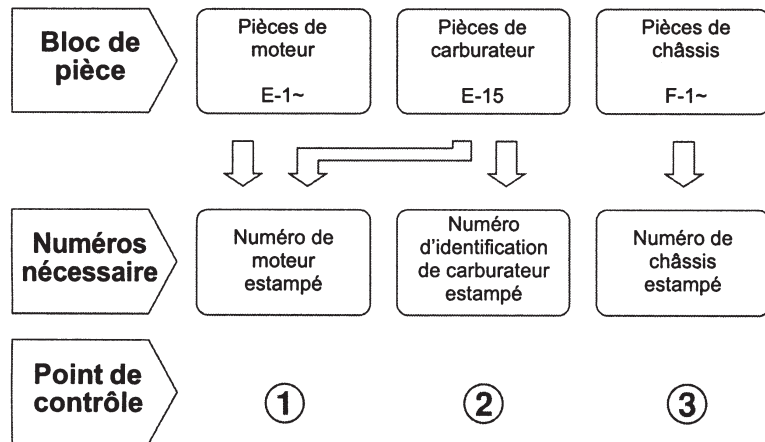
• G ou D dans la description d'une pièce signifie le côté GAUCHE ou le côté DROIT Déterminer la gauche ou la droite comme si vous étiez assis sur la selle de la motocyclette.

• Les Abréviations suivantes sont utilisées dans le catalogue.

A.....	Ampère
ABS.....	Frein d'ant -blocage
C.A.....	Courant alternatif
A.M.....	Marque gommée
ENS.....	Ensemble
C.D.I.....	Allumage adécharge de condensateur
COMP.....	Complet
C.D.....	Courant continu
EX.....	Exhaust
AV.....	Avant
G.....	Gramme
HEX.....	Hexagonal
IN.....	Inlet
KPH.....	Kilomètre à l'heure
G.....	Gauche
L (100L).....	Maillon (100maillons)
L.E.D.....	Diode émettrice de lumière
MM.....	Millimètre
MPH.....	Mille à l'heure
D.....	Droit
AR.....	Arrière
STD.....	Standard
T (22T).....	Dent (2 dents)
TCS.....	Régulateur de traction
T.M.....	Marque de Transcription
V.....	Volt
W.....	Watt
WL.....	Avec étiquetage
WOL.....	Sans étiquetage
CL.....	Chile



Comment vérifier le bloc de pièce et les numéros de série



Modèles, codes du catalogue de pièces et numéros de série applicables

Les modèles, codes du catalogue de pièces et numéros de série applicables précisés dans ce catalogue de pièces détachées peuvent être identifiés de la manière suivante:
Les pièces affectées des codes du catalogue de pièces sont réservées exclusivement aux modèles destinés aux pays spécifiés.
Si aucun code de zone n'est précisé, les pièces sont communes à tous les modèles.

Modèle	Code de zone	Type	N° de série applicable du moteur	N° de serie applicable du cadre	N° de identification applicable du carburateur
XL200 (3,4,5,6,7,8,9,10,11)	DK	Exportation générale(KPH)	•	•	PD9AE
	2LA	latino-américain	•	•	PD9AD
	CL	Chile	•	•	PD9AC

* De los números de identificación de carburador, sólo las porciones subrayadas en el ejemplo siguiente se usan para registro.

PD9AE KC

Tableau de sélection pour serrure ou clef brute

Type	N° de clef
TYPE 1	A**, B**

*: 0, 1, 2, 3, 4, 5, 6, 7, 8 ou 9

1



Back
Retour
Volver

Identification couleur

- Lors de la commande de pièces, vérifier le nom du modèle, la couleur principale et le code en vérifiant la couleur d'identification "IDENTIFICATION COULEUR" sur le véhicule.
- Lors de la commande d'une pièce en couleur, utiliser le tableau de couleur dans l'instruction d'utilisation du catalogue des pièces.

1

Back
Retour
Volver

XL200

COLOR NH-196

CODE NH196

		Modele		XL200			
No.	Couleur	Blanc Ross NH-196	Rouge Macis R-206	Modèle Applicable		No. de bloc applicable	
	Code	NH196	R206	Premier modèle Applicable	Dernier modèle Applicable		
		Nom des pièces de couleur	No. de pièce base				
1							
2							
3							
4							
5							
6							
7							
8							

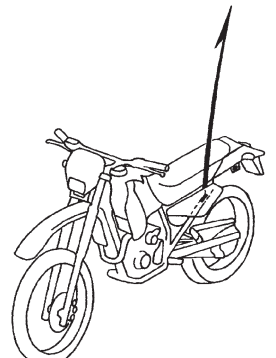


Table de couleur

• Quand on commande des pièces de couleur, se reporter au tableau ci-dessous et utiliser le numéro de pièce quise compose du numéro de pièce de base correspondant auquel a été ajouté un symbole de coloris

XL200 (2001, 02, 03, 04, 05, 06, 07, 08, 09, 10, 11)

No.	Modele		XL200					
	Couleur		Blanc Ross NH-196	Rouge Macis R-206	Modèle Applicable		No. de bloc applicable	No. de ref.
	Code		NH196	R206	Premier modèle Applicable	Dernier modèle Applicable		
	Nom des pièces de couleur	No. de pièce base						
1	SOUFFET, FOURCHE AV	51611-KR6-013	ZH	ZH			F-8	21
2	CORPS COMP. CADRE	50100-KBB-980	ZA	ZA			F-28	2
3	JEU DE COUVERCLE, LATERAL G.	83600-KBB-980	ZA	ZB			F-15	4
4	JEU DE COUVERCLE, LATERAL D.	83500-KBB-980	ZA	ZB			F-15	2
5	GARDE-BOUE COMP. AR.	80200-KBB-980	ZA	ZB			F-23	12
6	GARDE-BOUE AV.	61100-KBB-980	ZA	ZB			F-7	1
7	POIGNEE AR. D.	50311-KBB-900	ZE	ZE			F-23	5
8	GUIDE D'AIR	64203-KBB-900	ZC	ZH			F-13	14
9	SUPPORT SUPERIEUR	53131-KBB-950	ZA	ZA			F-5	8
10	ETIQUETTE DE COULEUR	87565-KBB-980	ZA	ZB			F-30	6
11	MARQUE B, REVETEMENT LATERAL	87134-KBB-970	ZA	ZA			F-31	8
12	MARQUE B, REVETEMENT LATERAL D.	87133-KBB-970	ZA	ZA			F-31	7
13	MARQUE DE DEMARREUR ELECTRIQUE	87128-KBB-980	ZA	ZA			F-31	6
14	MARQUE DE VISIERE AV.	87122-KBB-980	ZA	ZA			F-31	1
15	MARQUE DE RESERVOIR D'ESSENCE G.	87124-KBB-980	ZA	ZB			F-31	3
16	MARQUE DE BUSE G.	87127-KBB-980	ZA	ZB			F-31	5
17	MARQUE DE RESERVOIR D'ESSENCE D.	87123-KBB-980	ZA	ZB			F-31	2
18	MARQUE DE BUSE D.	87126-KBB-980	ZA	ZB			F-31	4
19	TUYAU DE GUIDON DE DIRECTION	53100-KBB-930	ZC	ZC			F-5	7
20	PLAQUE DE SUSPENSION MOTEUR AV.	50203-KBB-900	ZF	ZF			F-28	5
21	SIEGE DOUBLE COMP.	77200-KBB-980	ZA	ZA			F-14	2
22	JEU DE BUSE G.	19200-KBB-980	ZA	ZB			F-13	13
23	JEU DE CAPOTAGE D.	19100-KBB-980	ZA	ZB			F-13	12
24	APPUI DE RESERVOIR AR.	50205-KBB-900	ZK	ZK			F-28	7
25	JEU DE RESERVOIR D'ESSENCE	17550-KBB-980	ZA	ZB			F-13	8
26	JEU DE VISIERE AV.	61300-KBB-980	ZA	ZB			F-1	9
27*	ENS. AMORTISSEUR AR.	52400-KBB-980	ZA	ZA			F-22	1
28*	ENS. AMORTISSEUR AR.	52400-KBB-981	ZA	ZA			F-22	1
29	GARDE DE GENOILLER G	53185-KBB-950	ZB	ZF			F-3	35
30	GARDE DE GENOILLER D	53180-KV2-900	ZE	ZM			F-4	19

1



Back
Retour
Volver

XL200 CL (Chile) (2001, 02, 03, 04, 05, 06, 07, 08, 09, 10, 11)

No.	Modele		XL200					
	Couleur		Blanc Ross NH-196	Rouge Macis R-206	Modèle Applicable		No. de bloc applicable	No. de ref.
	Code		NH196	R206	Premier modèle Applicable	Dernier modèle Applicable		
	Nom des pièces de couleur	No. de pièce base						
1	BODY COMP., FRAME	50100-KBB-980	ZA	ZA			F-28	2
2	BOOT. FR. FORK	51611-KR6-013	ZH	ZH			F-8	21
3	COVER SET, L. SIDE	83600-KBB-980	ZA	ZB			F-15	4
4	COVER SET, R. SIDE	83500-KBB-980	ZA	ZB			F-15	2
5	CUSHION ASSY., RR.	52400-KBB-980	ZA	ZA			F-22	1
6	CUSHION ASSY., RR.	52400-KBB-981	ZA	ZA			F-22	1
7	FENDER COMP., RR.	80200-KBB-980	ZA	ZB			F-23	12
8	FENDER, FR.	61100-KBB-980	ZA	ZB			F-7	1
9	GRIP, R. RR.	50311-KBB-900	ZE	ZE			F-23	5
10	GUARD, L. KNUCKLE	53185-KBB-980	ZB	ZF			F-3	35
11	GUARD, R. KNUCKLE	53180-KBB-980	ZA	ZB			F-4	19
12	GUIDE, AIR	64203-KBB-900	ZC	ZH			F-13	14
13	HOLDER, UPPER	53131-KBB-950	ZA	ZA			F-5	8
14	LABEL, COLOR	87565-KBB-980	ZA	ZB			F-30	6
15	MARK B, L. SIDE COVER	87134-KBB-970	ZA	ZA			F-31	8
16	MARK B, R. SIDE COVER	87133-KBB-970	ZA	ZA			F-31	7
17	MARK, ELECTRIC STARTER	87128-KBB-980	ZA	ZA			F-31	6
18	MARK. FR. VISOR	87122-KBB-980	ZA	ZA			F-31	1
19	MARK, L. FUEL TANK	87124-KBB-980	ZA	ZB			F-31	3
20	MARK, L. SHROUD	87127-KBB-980	ZA	ZB			F-31	5
21	MARK, R. FUEL TANK	87123-KBB-980	ZA	ZB			F-31	2
22	MARK, R. SHROUD	87126-KBB-980	ZA	ZB			F-31	4
23	PIPE, STEERING HANDLE	53100-KBB-930	ZC	ZC			F-5	7
24	PLATE, FR. ENGINE RANGER	50203-KBB-900	ZF	ZF			F-28	5
25	SEAT COMP., DOUBLE	77200-KBB-980	ZA	ZA			F-14	2
26	SHROUD SET, L.	19200-KBB-980	ZA	ZB			F-13	13
27	SHROUD SET, R.	19100-KBB-980	ZA	ZB			F-13	12
28	STAY, RR-TANK	50205-KBB-900	ZK	ZK			F-28	7
29	TANK SET, FUEL	17550-KBB-980	ZA	ZB			F-13	8
30	VISOR SET, FR.	61300-KBB-980	ZA	ZB			F-1	9

1



Back
Retour
Volver

Flexible d'alimentation, flexibles à but g n ral et flexible vinyle

- Les flexibles   carburant standards, les flexibles tous usages et les flexibles em vinyle peuvent  tre remplac s par des pi ces em vrac enroul es.
- Lors de la commande de flexibles   carburant standards, des flexibles tous usages et de flexibles em vinyle utiliser le num ro de pi ce em vrac du catalogue de pi ces, donn  entre () sous le nom de la pi ce, ou utiliser le tableau ci-dessous. (la longueur em vrac standard est de 1m: les flexibles indiqu s par < > dans le catalogue peuvent  tre command s avec une longueur de 3m ou de 8m.)
- Lors du remplacement du flexible, couper la longueur voulue qui est indiqu e avec nom de la pi ce. (Pour copuper la pi ce em vrac, passer une commande, tec., se reporter au manuel d'entretien et aux instructions accompagnant la pi ce em vrac.)
- Les tableaux suivants donnent la liste des num ros de pi ces standards et les num ros de pi ces em vrac correspondants. A noter que ces num ros ne sont applicables qu'aux pi ces de remplacement  num r es ici.

Flexibles � carburant				Flexibles � carburant				Flexibles � carburant			
Num�ro de pi�ce standard	Num�ro de pi�ce sin vrac	Pi�ce em vrac		Num�ro de pi�ce standard	Num�ro de pi�ce sin vrac	Pi�ce em vrac		Num�ro de pi�ce standard	Num�ro de pi�ce sin vrac	Pi�ce em vrac	
		Diam�tre interne (mm)	Longueur (m)			Diam�tre interne (mm)	Longueur (m)			Diam�tre interne (mm)	Longueur (m)
95001-30XXX-2X	95001-30001-20M	3.0	1	95005-30XXX-3X	95005-30001-30M	3.0	1	95005-75XXX-1X	95005-75001-10M	7.3	1
95001-30XXX-3X	95001-30001-30M	3.0	1	95005-30XXX-5X	95005-30001-50M	3.0	1	<95005-75003-10M>		7.3	3
9500-30XXX-4X	95001-30001-40M	3.0	1	95005-35XXX-1X	95005-35001-10M	3.5	1	95005-75XXX-2X	95005-75001-20M	7.3	1
95001-35XXX-2X	95001-35001-50M	3.5	1	95005-35XXX-4X	<95005-35003-10M>	3.5	3	95005-80XXX-1X	95005-80001-10M	8.0	1
95001-35XXX-5X	<95001-35003-50M>	3.5	3		<95005-35008-10M>	3.5	8	<95005-80003-10M>		8.0	3
95001-35XXX-3X	95001-35001-60M	3.5	1	95005-35XXX-2X	95005-35001-20M	3.5	1	95005-80XXX-2X	95005-80001-20M	8.0	1
95001-35XXX-4X	<95001-35003-60M>	3.5	3	95005-35XXX-3X	95005-35001-30M	3.5	1	95005-80XXX-3X	95005-80001-30M	8.0	1
95001-35XXX-6X				95005-35XXX-5X	95005-35001-50M	3.5	1	95005-80XXX-5X	95005-80001-50M	8.0	1
95001-45XXX-2X	95001-45001-50M	4.5	1	95005-45XXX-1X	95005-45001-10M	4.5	1	95005-11XXX-3X	95005-11001-30M	11.0	1
95001-45XXX-5X	<95001-45003-50M>	4.5	3	95005-45XXX-4X	<95005-45003-10M>	4.5	3	95005-11XXX-5X	95005-11001-50M	11.0	1
95001-45XXX-3X	95001-45001-60M	4.5	1		<95005-45008-10M>	4.5	8	95005-12XXX-1X	95005-12001-10M	12.0	1
95001-45XXX-4X	<95001-45003-60M>	4.5	3	95005-45XXX-2X	95005-45001-20M	4.5	1	<95005-12003-10M>		12.0	3
95001-45XXX-6X	<95001-45008-60M>	4.5	8	95005-45XXX-3X	95005-45001-30M	4.5	1	95005-12XXX-2X	95005-12001-20M	12.0	1
95001-55XXX-2X	95001-55001-50M	5.5	1	95005-45XXX-5X	95005-45001-50M	4.5	1	95005-12XXX-3X	95005-12001-30M	12.0	1
95001-55XXX-5X	<95001-55003-50M>	5.5	3	95005-50XXX-3X	95005-50001-30M	5.0	1	95005-12XXX-5X	95005-12001-50M	12.0	1
	<95001-55008-50M>	5.5	8		<95005-50003-30M>	5.0	3	95005-91XXX-3X	95005-91001-30M	12.0	1
95001-55XXX-3X	95001-55001-60M	5.5	1	95005-50XXX-5X	95005-50001-50M	5.0	1	95005-91XXX-5X	95005-91001-50M	12.0	1
95001-55XXX-4X	<95001-55003-60M>	5.5	3	95005-55XXX-1X	95005-55001-10M	5.3	1	95005-92XXX-3X	95005-92001-30M	12.0	1
95001-55XXX-6X	<95001-55008-60M>	5.5	8	95005-55XXX-4X	<95005-55003-10M>	5.3	3	95005-92XXX-5X	95005-92001-50M	12.0	1
					<95005-55008-10M>	5.3	8	95005-14XXX-1X	95005-14001-10M	14.0	1
95001-75XXX-2X	95001-75001-50M	7.5	1	95005-55XXX-2X	95005-55001-20M	5.3	1	95005-14XXX-2X	95005-14001-20M	14.0	1
95001-75XXX-5X	<95001-75003-50M>	7.5	3		<95005-55003-20M>	5.3	3	<95005-14003-20M>		14.0	3
95001-75XXX-3X	95001-75001-60M	7.5	1	95005-65XXX-1X	95005-65001-10M	6.5	1	95005-14XXX-3X	95005-14001-30M	14.0	1
95001-75XXX-4X	<95001-75003-60M>	7.5	3		<95005-65003-10M>	6.5	3	95005-14XXX-5X	95005-14001-50M	14.0	1
95001-75XXX-6X	<95001-75008-60M>	7.5	8	95005-65XXX-2X	95005-65001-20M	6.5	1	95005-17XXX-1X	95005-17001-10M	17.0	1
95001-80XXX-2X	95001-80001-50M	8.0	1					95005-17XXX-2X	95005-17001-20M	17.0	1
95001-80XXX-5X				95005-70XXX-3X	95005-70001-30M	7.0	1	95005-17XXX-3X	95005-17001-30M	17.0	1
95001-80XXX-3X					<95005-70003-30M>	7.0	3	95005-17XXX-5X	95005-17001-50M	17.0	1
95001-80XXX-4X	95001-80001-60M	8.0	1	95005-70XXX-5X	95005-70001-50M	7.0	1				
95001-80XXX-6X											

⚠ ADVERTENCIA

Il est DANGEREUX de confondre les flexibles   carburant avec les flexibles tous usages ou les flexibles em vinyle. Ne jamais utiliser un flexible tous usage ou un flexible em vinyle   la place d'un flexible   carburant, ou vice-versa. Toujours utiliser le num ro de pi ce em vrac correct de la liste des pi ces, conform ment aux instruction du manuel d'entretien ou   celles donn es avec la pi ce em vrac.



Flexible d'alimentation, flexibles à but g n ral et flexible vinyle

Flexibles � carburant				
Num�ro de pi�ce standard	Num�ro de pi�ce en vrac	Pi�ce en vrac		
		Diam�tre interne (mm)	Diam�tre interne (mm)	Longueur (m)
95003-01XXX-3X	95003-01001-60M	2.9	6.8	1
95003-01XXX-60	<95003-01003-60M>	2.9	6.8	3
95003-03XXX-3X	95003-03001-60M	3.0	6.0	1
95003-03XXX-60	<95003-03003-60M>	3.0	6.0	1
95003-05XXX-3X	95003-05001-60M	3.5	6.5	1
95003-05XXX-60	<95003-05003-60M>	3.5	6.5	3
	<95003-05008-60M>	3.5	6.5	8
95003-07XXX-1X	95003-07001-10M	4.0	7.0	1
95003-07XXX-20	<95003-07003-10M>	4.0	7.0	3
95003-07XXX-3X	95003-07001-60M	4.0	7.0	1
95003-07XXX-60	<95003-07003-60M>	4.0	7.0	3
	<95003-07008-60M>	4.0	7.0	8
95003-07XXX-7X	95003-07001-70M	4.0	7.0	1
	<95003-07003-70M>	4.0	7.0	3
	<95003-07008-70M>	4.0	7.0	8
95003-08XXX-1X	95003-08001-10M	4.5	6.5	1
	<95003-08003-10M>	4.5	6.5	3
	<95003-08008-10M>	4.5	6.5	8
95003-09XXX-3X	95003-09001-60M	4.5	8.0	1
95003-09XXX-60	<95003-09003-60M>	4.5	8.0	3
95003-12XXX-1X	95003-12001-10M	5.0	7.0	1
95003-12XXX-20	<95003-12003-10M>	5.0	7.0	3
	<95003-12008-10M>	5.0	7.0	8
95003-10XXX-1X	95003-10001-10M	5.0	8.0	1
95003-10XXX-20	<95003-10003-10M>	5.0	8.0	3
95003-10XXX-3X	95003-10001-60M	5.0	8.0	1
95003-10XXX-60	<95003-10003-60M>	5.0	8.0	3
95003-11XXX-3X	95003-11001-60M	5.0	9.0	1
95003-11XXX-60	<95003-11003-60M>	5.0	9.0	3
	<95003-11008-60M>	5.0	9.0	8
95003-14XXX-1X	95003-14001-10M	6.0	9.0	1
95003-14XXX-20	<95003-14003-10M>	6.0	9.0	3
95003-14XXX-3X	95003-14001-60M	6.0	9.0	1
	<95003-14003-60M>	6.0	9.0	3
95003-17XXX-1X	95003-17001-10M	7.0	9.0	1
	<95003-17003-10M>	7.0	9.0	3
95003-19XXX-1X	95003-19001-10M	7.0	11.0	1
95003-19XXX-20	<95003-19003-10M>	7.0	11.0	3
	<95003-19008-10M>	7.0	11.0	8
95003-19XXX-3X	95003-19001-60M	7.0	11.0	1
95003-19XXX-60	<95003-19003-60M>	7.0	11.0	3
	<95003-19008-60M>	7.0	11.0	8
95003-21XXX-1X	95003-21001-10M	8.0	9.0	1
95003-21XXX-20	<95003-21003-10M>	8.0	9.0	3
95003-23XXX-1X	95003-23001-10M	8.0	12.0	1
95003-23XXX-20	<95003-23003-10M>	8.0	12.0	3

Flexibles � carburant					
Num�ro de pi�ce standard	Num�ro de pi�ce en vrac	Pi�ce en vrac			
		Diam�tre interne (mm)	Diam�tre interne (mm)	Longueur (m)	
95003-23XXX-3X	95003-23001-60M	8.0	12.0	1	
95003-23XXX-60	<95003-23003-60M>	8.0	12.0	3	
	<95003-23008-60M>	8.0	12.0	8	
95003-25XXX-1X	95003-25001-10M	9.0	11.0	1	
95003-25XXX-20	<95003-25003-10M>	9.0	11.0	3	
95003-25XXX-3X	95003-25001-60M	9.0	11.0	1	
	<95003-25003-60M>	9.0	11.0	3	
95003-25XXX-7X	95003-25001-70M	9.0	11.0	1	
	<95003-25003-70M>	9.0	11.0	3	
95003-27XXX-1X	95003-27001-10M	9.0	13.0	1	
95003-27XXX-20	<95003-27003-10M>	9.0	13.0	3	
95003-27XXX-3X	95003-27001-60M	9.0	13.0	1	
95003-27XXX-60	<95003-27003-60M>	9.0	13.0	3	
95003-33XXX-1X	95003-33001-10M	10.0	14.0	1	
95003-33XXX-20	<95003-33003-10M>	10.0	14.0	3	
95003-36XXX-1X	95003-36001-10M	11.0	13.0	1	
95003-36XXX-20	<95003-36003-10M>	11.0	13.0	3	
	<95003-36008-10M>	11.0	13.0	8	
95003-37XXX-3X	95003-37001-60M	11.0	15.0	1	
95003-37XXX-60	<95003-37003-60M>	11.0	15.0	3	
95003-38XXX-1X	95003-38001-10M	12.0	13.0	1	
95003-38XXX-20	<95003-38003-10M>	12.0	13.0	3	
95003-39XXX-1X	95003-39001-10M	12.0	14.0	1	
95003-39XXX-20	<95003-39003-10M>	12.0	14.0	3	
95003-40XXX-20	95003-40001-10M	12.0	16.0	1	
	<95003-40003-10M>	12.0	16.0	3	
95003-40XXX-3X	95003-40001-60M	12.0	16.0	1	
95003-40XXX-60	<95003-40003-60M>	12.0	16.0	3	
95003-43XXX-1X	95003-43001-10M	13.0	15.0	1	
95003-43XXX-20	<95003-43003-10M>	13.0	15.0	3	
	<95003-43008-10M>	13.0	15.0	8	
95003-45XXX-1X	95003-45001-10M	14.0	18.0	1	
95003-45XXX-20	<95003-45003-10M>	14.0	18.0	3	
	<95003-45008-10M>	14.0	18.0	8	
95003-50XXX-1X	95003-50001-10M	16.0	19.0	1	
95003-50XXX-20	<95003-50003-10M>	16.0	19.0	3	
95003-50XXX-3X	95003-50001-60M	16.0	19.0	1	
	<95003-50003-60M>	16.0	19.0	3	
95003-55XXX-1X	95003-55001-10M	17.5	20.5	1	
95003-55XXX-20	<95003-55003-10M>	17.5	20.5	3	
95003-60XXX-1X	95003-60001-10M	22.0	27.0	1	
95003-60XXX-20	<95003-60003-10M>	22.0	27.0	3	
95003-60XXX-3X	95003-60001-60M	22.0	27.0	1	
95003-60XXX-60	<95003-60003-60M>	22.0	27.0	3	

⚠ ADVERTENCIA

Il est DANGEREUX de confondre les flexibles   carburant avec les flexibles tous usages ou les flexibles em vinyle.

Ne jamais utiliser un flexible tous usage ou un flexible em vinyle   la place d'un flexible   carburant, ou vice-versa.

Toujours utiliser le num ro de pi ce en vrac correct de la liste des pi ces, conform ment aux instruction du manuel d'entretien ou   celles donn es avec la pi ce en vrac.

Numéro de pièce em vrac des flexibles à carburant, flexibles tous usages et flexibles en vinyle.

Ejemplo: 9 5 0 0 1 - 7 5 0 0 1 - 5 0 M

Numéro de pièce em vrac: Voir la pièce en vrac.

Code de marquage (Type de flexible):(Flexible à carburant et flexible tous usages)
Code de modification (pour flexibles ajoutés): (flexible em vinyle)

• Indique le numéro ou la série modifiée: le code de pièce em vrac, cependant , doit toujours être 0 (zéro).

Types de code:

• Flexibles à carburant: 5: Noir tresse interne
2:Rouge tresse externe (dia. Interne 3mm uniquement)
6: noir
3: Rouge (dia. interne 3mm uniquement)
4: Gris cendré à bandes rouges (dia. Interne 3mm uniquement)

• Flexible em vinyle: 1:Transparent
2:Noir
3: Rouge clair
7: Noir pale
6: Rouge clair

• Flexibles tous usages: 1: Gris cendré
2:Gris cendré
3: Noir
5: Noir

Longueur : 001:1m (Standard)
003:3m
008:8m

Code d'identification : (Flexibles à carburant et flexibles tous usages)

30 : 3.0 mm	11 :11 mm
35 : 3.5 mm	91:12 (diamètre externe 15) mm
45 : 4.5 mm	92:12 (diamètre externe 16) mm
50 : 5.0 mm	12:12 (diamètre externe 17) mm
55 : 5.3 mm	14 : 14 mm
5.5 mm	17 : 17 mm
65 : 6.5 mm	
70 : 7.0 mm	
75 : 7.3 mm	
7.5 mm	
80 : 8.0 mm	

Code d'identification/diamètre externe: (Flexible em vinyle)

01 : DI 2.9, DE 6.8 mm	14 : DI 6.0, DE 9.0 mm	37 : DI 11.0, DE 15.0 mm
03 : DI 3.0, DE 6.0 mm	17 : DI 7.0, DE 9.0 mm	38 : DI 12.0, DE 13.0 mm
05 : DI 3.5, DE 6.5 mm	19 : DI 7.0, DE 11.0 mm	39 : DI 12.0, DE 14.0 mm
07 : DI 4.0, DE 7.0 mm	21 : DI 8.0, DE 9.0 mm	40 : DI 12.0, DE 16.0 mm
08 : DI 4.5, DE 6.5 mm	23 : DI 8.0, DE 12.0 mm	43 : DI 13.0, DE 15.0 mm
09 : DI 4.5, DE 8.0 mm	25 : DI 9.0, DE 11.0 mm	45 : DI 14.0, DE 18.0 mm
12: DI 5.0, DE 7.0 mm	27 : DI 9.0, DE 13.9 mm	50 : DI 16.0, DE 19.0 mm
10 : DI 5.0, DE 8.0 mm	33 : DI 10.0, DE 14.0 mm	55 :DI 17.5, DE 20.5 mm
11 : DI 5.0, DE 9.0 mm	36 : DI 11.0, DE 13.0 mm	60 : DI 22.0, DE 27.0 mm

Type de flexible : 1: Flexible à carburant
5:Flexible tous usages
3:Flexible em vinyle



Emploi de durée uniforme de temps de réparation (T.D.R.)

La notion de durée uniforme de temps de réparation (T.D.R.) est utilisée pour déterminer la durée moyenne des opérations de réparation pour le remplacement des pièces qui sont couvertes par la garantie pour la période de validité de cette dernière.

Le T.D.R. des pièces qui ne sont pas indiquées dans cette publication doit être par le fonctionnement en relation étroite avec le remplacement de la pièce concernée.

1. Le T.D.R. est établi sur les conditions d'entretien suivantes

- Une allocation mensuelle est ajoutée à la durée d'entretien.
- Les durées nominales spécifiées s'appuient sur les conditions qui impliquent que les outils d'entretien indispensables détaillés dans le manuel d'entretien (motocyclette) qui décrit la politique d'entretien de la société Honda, sont disponibles à portée de main tandis que les travaux de réparation sont réalisés par une mécanique affirmant une précision de travail normale.
- La durée nécessaire pour effectuer les vérifications et les essais de fonctionnement suivants les opérations d'entretien est comprise dans le T.D.R.

2. Méthode de calcul

Les durées de travaux de réparation sont présentées sous forme de liste en dixième d'heure pour simplifier les opérations.

Exemple: 0,3 = 18 minutes

5,6 = 5 heures et 36 minutes

Tableau de Conversion

Heures	Minutes	Heures	Minutes
0,1	6	0,6	36
0,2	12	0,7	42
0,3	18	0,8	48
0,4	24	0,9	54
0,5	30	1,0	60

1



Back
Retour
Volver

3. Calcul du taux de tarif forfaitaire

Ce qui suit ne constitue que des exemples et ne reflète aucunement le taux de tarif forfaitaire réel pour ce produit.

Quand plusieurs tâches sont réalisées en même temps, effectuer le calcul de la manière suivante:

a. Tâches sans duplication

Le taux de tarif forfaitaire pour la tâche est obtenu en totalisant le taux de tarif forfaitaire pour chaque pièce remplacée.

(Exemple): Remplacement du joint de culasse et du filtre à huile.

Elément d'entretien	T.D.R.
Joint d'étanchéité, culasse	1,8
Cartouche, filtre à huile	0,8

Le taux de tarif forfaitaire pour la tâche est: $1,8 + 0,8 = 2,6$

b. Tâches avec duplication

Retenir le taux de tarif forfaitaire pour la dernière pièce à remplacer.

(Exemple) Remplacement du piston et du joint de culasse.

Elément d'entretien	T.D.R.
Comp. de joint, culasse	1,5
Piston	*1,9

Le taux de tarif forfaitaire pour la tâche est: 1,9

c. Tâches étant partiellement en rapport

Totaliser le taux de tarif forfaitaire pour toutes les pièces remplacées, puis soustraire le taux forfaitaire pour les opérations avec duplication (c. -à- d., entretien du joint d'étanchéité de culasse).

Ejemplo: Reemplazo de eje contra y ensamble del cigüeñal.

Elément d'entretien	T.D.R.
Soupape rum	4,1
Ens. de culasse	*4,3
Comp. de joint d'étanchéité, culasse	*3,9

Le taux de tarif forfaitaire pour la Tâche est: $(4,1 + 4,3) - 3,9 = 4,5$

- Le taux de tarif forfaitaire indiqué par (*) comprend le démontage et l'installation du moteur.
- Les pièces comportant le même composant factoriel d'hommes/heures sont indentifiées par la marque " * " , et classées sous la désignation de leur travail représentatif.

4. Opérations autres que le remplacement de pièces

a. Dépose et repose

N°	Item d'entretien	T.D.R.
1	Carburateur	0.9
2	Moteur	2.2
3	Culasse	*3.1
4	Séparation du carter	*5.7

b. Réglage, mesure et nettoyage
Moteur

N°	Item d'entretien	T.D.R.
1	Réglage de ralenti de carburateur	0.1
2	Réglage de opération de accellerateur	0.1
3	Réglage de l'embrayage	0.1
4	Vérication de temps d'allumage	0.2
5	Nettoyage de crépine du filtre à huile	0.9
6	Mesure de niveau du flotteur de carburateur	1.1
7	Réglage de jeu des soupapes	1.8



Bastidor

Nº	Item d'entretien	T.D.R.
1	Purge d'air de frein avant	0.2
2	Réglage de frein arrière	0.1
3	Essai de fonctionnement de frein	0.1
4	Réglage de faisceau de projecteur	0.1
5	Réglage de tension de la chaîne d'entraînement	0.1

c. Revisión general

Nº	Item d'entretien	T.D.R.
1	Carburateur	1.7

Toutes les informations de cette publication sont basées données disponibles concernant le produit au moment de la mise sous presse. MOTO HONDA DA AMAZÔNIA se réserve le droit d'effectuer de modifications à tout moment sans préavis et sans aucune obligation de se part.

Aucune partie de cette publication ne peut être reproduite sans autorisation écrite.

**MOTO HONDA DA AMAZÔNIA LTDA.
Departamento de Servicios Pós-Ventas
Sector de Publicaciones Técnicas.**

Instrucciones para emplear el catálogo de piezas

- Este catálogo de piezas ha sido preparado en base a la última información disponible el 31 de Enero de 2011.
- Especifique siempre el número de pieza cuando realice un pedido de piezas.
- Compruebe los números de modelo, de tipo, y de serie, el color, marca, y tamaño como sea necesario antes de realizar el pedido de una pieza.
- Tenga presente que las ilustraciones (planos de las piezas) pueden diferir de las piezas reales en su forma. Se incluyen sólo para que le sirvan de referencia para consultar las piezas.
- **Cuando se efectúen modificaciones o adiciones en el catálogo de piezas, se editará una edición revisada en el momento apropiado, con un número de revisión sucesivamente progresivo en la tapa. Le recomendamos que obtenga estas revisiones para mantener al día su catálogo de piezas en todo momento. Para comprobar si se ha editado una revisión del catálogo de piezas, póngase en contacto con su distribuidor HONDA.**

Índice

• Instrucciones para emplear el catálogo de piezas	29
• Cómo consultar la información de piezas	30
• Estructura del catálogo de piezas	31
• Cuando se han revisado las piezas	32
• Abreviaturas empleadas en el catálogo de piezas	32
• Cómo comprobar el bloque de piezas y los números de serie	33
• Modelos, códigos de área y Nos. de serie aplicables	33
• Etiqueta de Color	34
• Tabla de colores	35
• Mangueras de Combustible, Mangueras de Aplicaciones Generales y Mangueras de Vinilo	37
• Número de Parte sin envasar de la Manguera de Combustible, Aplicaciones Generales, Mangueras de Vinilo	39
• Modo de usar la tarifa horaria llana (THLL)	40
• Índice ilustrado – Grupo de motor	42
• Índice ilustrado – Grupo de bastidor	44
• Índice del número de la pieza	174



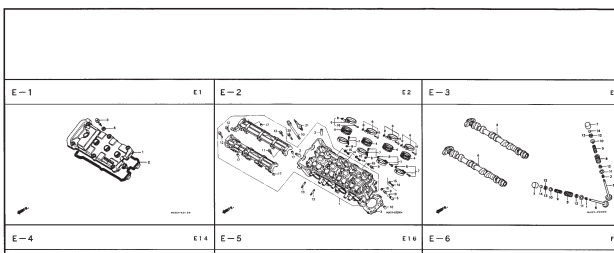
Cómo consultar la información de piezas

B Referencia con el "Índice del número de pieza"

INDICE DEL NUMERO DE LA PIEZA

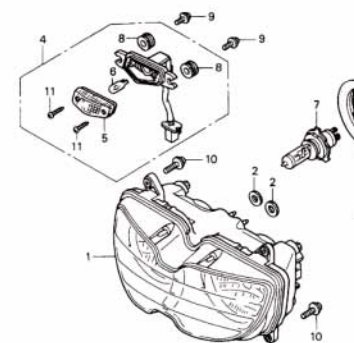
Block n° N° de Adresse N° del Bloque	Part n° N° de Pieza N° de la Pieza	Block n° N° de Adresse N° del Bloque	Part n° N° de Pieza N° de la Pieza	Block n° N° de Adresse N° del Bloque	Part n° N° de Pieza N° de la Pieza	Block n° N° de Adresse N° del Bloque	Part n° N° de Pieza N° de la Pieza	Block n° N° de Adresse N° del Bloque
E-1	14523-KBB-901	E-3	16000		17000		18320-KBB-950	F-17
E-1	14535-437-000	E-3					18321-KY7-000	F-17
E-1	14550-KCJ-710	E-3	16010-42B-671	E-15	17210-KBB-980	F-16	18365-KBB-900	F-17
E-1	14711-KBB-900	E-2	16012-KBB-980	E-15	17212-KBB-950	F-16	18374-ML0-000	F-17
E-11	14721-KBB-900	E-2	16013-439-921	E-15	17213-KB7-000	F-16	18392-HA7-710	F-17
	14751-383-005	E-2	16014-KZ1-670	E-15	17214-KV2-500	F-16		
	14761-383-005	E-2	16015-KB7-901	E-15	17216-KBB-950	F-16	19000	
	14771-107-020	E-2	16016-393-701	E-15	17219-KB7-000	F-16		
E-12	14775-107-000	E-2	16018-42B-671	E-15	17220-KB7-000	F-16	19034-MB3-000	F-23
E-12	14776-107-010	E-2	16021-KBB-951	E-15	17222-KBB-900	F-16	19100-KBB-980ZA	F-13
E-12	14781-MB4-000	E-2	16028-KBB-951	E-15	17240-KBB-950	F-16	19100-KBB-980ZB	F-13
E-12			16032-KBB-900	E-15	17256-KBB-900	F-16	19200-KBB-980ZA	F-13
E-12	15000		16048-KB7-901	E-15	17316-MN1-670	F-16	19200-KBB-980ZB	F-13
E-12			16075-GH8-640	E-15	17358-170-000	F-16		

A Referencia con el "Índice ilustrado"



C-1.2

Faro
(CBA900RRR
Exceto CM/SI/RRS ~ RRV)



← FWD

C Referencia con el "Índice del nombre de la pieza"

INDICE DEL NOMBRE DE LA PIEZA

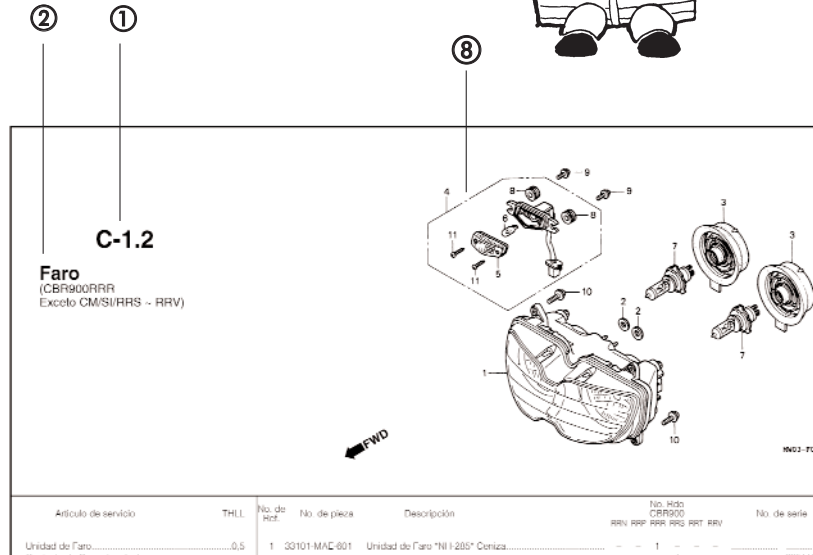
Descripción	N° del Bloque	Ref. N°	Descripción	N° del Bloque	Ref. N°	Descripción
BANDA, TUBO CONECTOR DE LIMPIADOR DE AIRE (S2)	F-16	24	CAJA, CADENA DE MANDO	F-21	2	COLLAR, MK
BANDA, TUBO DE ESCAPE IZQ	F-17	7	CAJA, HERRAMIENTAS	F-29	1	COLLAR, MK
BANDA, ZAPATA DE HORQUILLA DEL	F-8	22	CAJA, INFERIOR DE MANDO DE GASES	F-3	13	COLLAR, VA
BARRA, ESTRIBO DE ASIENTO TRAS	F-19	11	CANAL, DE ACEITE	E-7	8	COLLARIN A
BASE LUZ INTERMITENTE DERECHA	F-24	13	CAUCHO DE ELEMENTO	F-16	8	COLLARIN B
BASE LUZ INTERMITENTE IZQUIERDA	F-24	18	CAUCHO DEL SELLO DEL FARO	F-1	10	COLLARIN C
BATERIA (YB7B-B YUASA)	F-26	1	CAUCHO, INTERMITENTE	F-24	6	COLLARIN D
BIELA	E-12	5	CHAVETA, WOODRUFF, 25X14	E-7	15	COLLARIN L
BOBINA, ENCENDIDO	F-27	3	CHAVETA, WOODRUFF, 4MM	E-12	10	COLLARIN, I
BOMBA DE ACEITE	E-7	1	CIJUNAL, DER.	E-12	6	COLLARIN, I
BOMBILLO (12V/5W/STANLEY)	F-25	6	CIJUNAL, IZQ.	E-12	7	COLLARIN, I
BOMBILLO, BASE DE CUNA (12V 3.4W)	F-2	1	COJIN A.	F-16	19	COLLARIN, I
BOMBILLO, BASE DE CUNA (12V/1.7W)	F-2	2	COJIN DEL. TANQUE DE COMBUSTIBLE	F-13	9	COLLARIN, I
BOMBILLO, FARO (12V 35/35W)	F-1	7	COJIN, UNIDAD DE C.D.I.	F-27	1	COLLARIN, I
BOMBILLO, LUZ INTERMITENTE (12V 10W)	F-24	8	COJINETE DE AGUJAS, 16X22X19 INSG	F-22	12	COLLARIN, I
			COJINETE DE AGUJAS, 16X22X19 IN7N	F-22	12	COLLARIN, I

Artículo de servicio	THLL	No. de Ref.	No. de pieza	Descripción	No. Rdo CIERROD					
					RRV	RFP	RRS	RRS	RRT	RRS
Unidad de Faro	0.5	1	33101-MAE-601	Unidad de Faro "NH-285" Ceniza	-	-	1	-	-	-
• Conjunto de Receptáculo, Luz					-	-	-	1	-	-
• Bombillo	0.1				-	-	-	1	-	-
• Bombillo, Faro			33101-MAE-612	Unidad de Faro "NH-283" Ceniza (Precauciones Durante la Instalacion)	-	-	-	1	-	-
					-	-	-	-	1	-
			33101-MAE-671	Unidad de Faro "NH-1" Negro	-	-	1	-	-	-
					-	-	-	1	-	-
			33101-MAE-691	Unidad de Faro	-	-	-	1	-	-
			33101-MAE-602	Unidad de Faro	-	-	-	1	-	-
					-	-	-	-	1	1

1

Back
Retour
Volver

Estructura del catálogo de piezas



① Número del bloque

② Título del bloque

③ Artículo de servicio/Tarifa Horaria Llana (THLL)

④ Número de referencia

- El número del título marcado con el paréntesis indica que continúa desde la página anterior.

⑤ Número de pieza

⑥ Descripción

⑦ Código de color HONDA

⑧ Conjuntos

- Las secciones enmarcadas con líneas discontinuas en los diagramas detallados están disponibles como conjuntos completos (también pueden obtenerse sus partes individuales.)

⑨ Descripción del color

⑩ Observación

- La observación se indica con los paréntesis en la columna del nombre de pieza.

⑪ Cantidad requerida

- La Cant. reqd. indicada en el paréntesis indica la pieza opcional.
- La Cant. reqd. marcada con "N" indica la pieza opcional que debe seleccionarse según sea necesario.
- La Cant. reqd. indica el número de la pieza utilizada en el bloque.

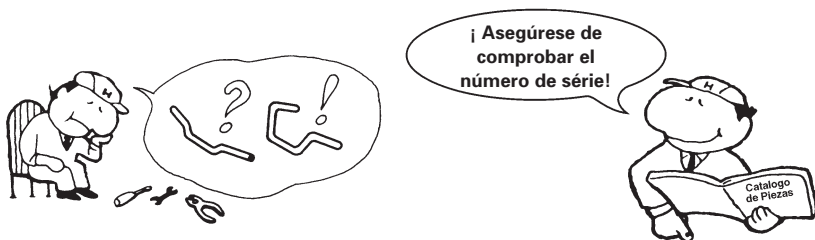
⑫ Número de serie

⑬ Nota

Service Item	F.A.T.	Ref. N°	No. de piezas	Descripción	No. Hndo. CBR900 RRV	No. de serie	Nota
Unidad de Faro	0.5	1	33101-MAE-601	Unidad de Faro "NH-285" Ceriza	---	---	---
• Conjunto de Receptáculo, Luz	0.1				---	---	---
• Bombillo	0.1				---	---	---
• Bombilla, Faro	0.1				---	---	---
			33101-MAE-612	Unidad de Faro "NH-285" Ceriza (Precauciones Durante la Instalación)	---	---	---
			33101 MAE 6/1	Unidad de Faro "NH 1" Negro	---	---	---
			33101-MAE-1391	Unidad de Faro	---	---	---
			33101-MAE-602	Unidad de Faro	---	---	---



Cuando se han revisado las piezas



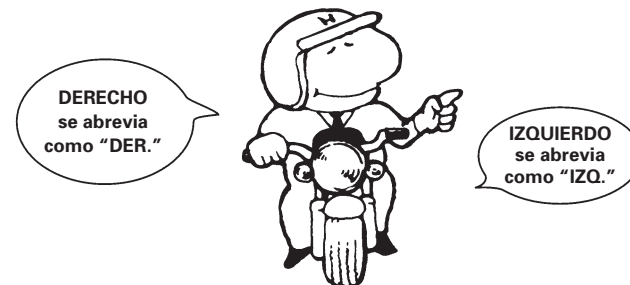
No. de Ref.	No. de pieza	Descripción	No. Rdo							No. de serie	
			RRV	RRP	RRR	RRS	RRT	RRV			
1	33101-MAE-601	Unidad de Faro "NH-285" Ceniza.....	-	-	1	-	-	-	-	-	-2351159
	33101-MAE-612	Unidad de Faro "NH-283" Ceniza..... (Precauciones Durante la Instalacion)	-	-	1	-	-	-	-	-	-2351712
			-	-	1	-	-	-	-	-	-2351309
			-	-	1	-	-	-	-	-	-2351434
			-	-	1	-	-	-	-	-	-2350300
			-	-	1	-	-	-	-	-	-0M300138
	33101-MAE-671	Unidad de Faro "NH-1" Negro.....	-	-	1	-	-	-	-	-	-SM300366
			-	-	1	-	-	-	-	-	-SM300366
	33101-MAE-691	Unidad de Faro.....	-	-	1	-	-	-	-	-	2351160-
	33101-MAE-602	Unidad de Faro.....	-	-	1	-	-	-	-	-	2351713-
			-	-	1	-	-	-	-	-	2351713-

El número ha sido utilizado desde el modelo inicial sin revisiones.

Cuando se muestra en el lado izquierdo, es aplicable a los modelos No. 2351160 y números subsiguientes.

Cuando se muestra en el lado derecho, es aplicable a los modelos hasta el No. 2351159.

Abreviaturas empleadas en el catálogo de piezas



* "IZQ." e "DER." en la descripción de una pieza significa el lado IZQUIERDO o el DERECHO. Determine el izquierdo o derecho como si usted estuviera en el asiento de la motocicleta.

• En este catálogo de piezas se utilizan las abreviaturas siguientes.

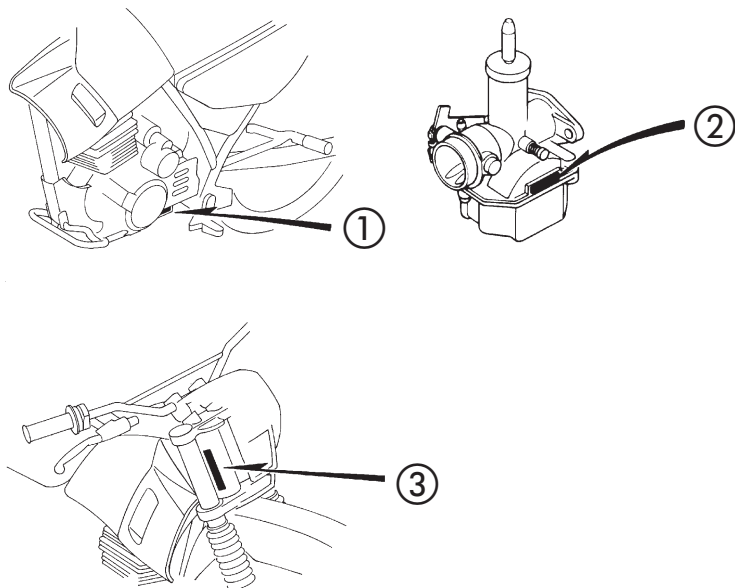
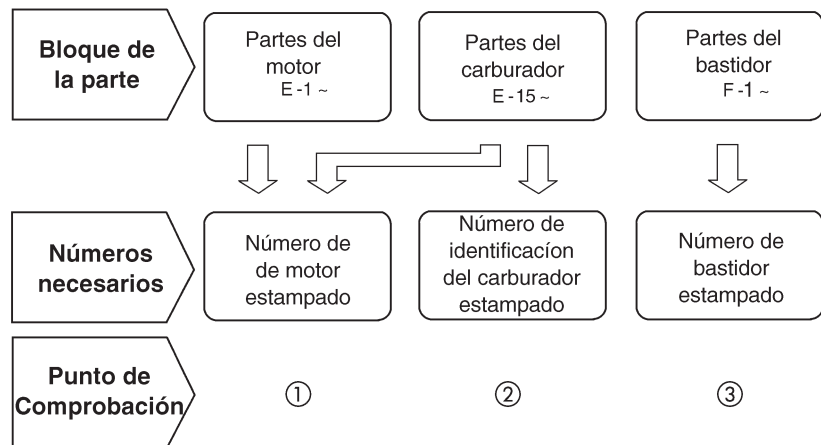
ENS.....	Ensamble (Conjunto)
COMP.....	Completo
DER.....	Derecho
IZQ.....	Izquierdo
STD.....	Standard
MM.....	Milimetro
G.....	Gramo
T (22D).....	Diente (22 dientes)
A.....	Amperio
V.....	Voltio
W.....	Watio
WL.....	Con etiqueta
WOL.....	Sin etiqueta
L.E.D.....	Diode emisor de luz
KPH.....	Kilómetro por hora
MPH.....	Milla por hora (100 Eslabones)
C.A.....	Corriente Alterna
C.D.....	Corriente Directa
DEL.....	Delantero
TRAS.....	Trasero
HEX.....	Hexagonal
A.M.....	Marca adhesiva
T.M.....	Marca de transcripcion
C.D.I.....	Encendido por descarga capacitiva
TCS.....	Sistema de control de tracción
1LA.....	República Dominicana, El Salvador Venezuela, Guatemala, Guiana (Mercosul: Argentina, Paraguay, Uruguay)
2LA.....	Colombia, México
WL.....	Con Etiqueta
WOL.....	Sin Etiqueta
DK.....	Exportación Generale
CL.....	Chile

1



Back
Retour
Volver

Cómo comprobar el bloque de partes y los números de serie



Modelos, Códigos de área y Nos. de serie aplicables

Los modelos, códigos de área y Nos. de serie aplicables que se dan en este catálogo de piezas pueden identificarse como sigue.

Si no están en lista los códigos de área, las piezas son para uso común.

Modelo	Código de Área	Tipo	No. de serie aplicable de motor	No. de serie aplicable de bastidor	No. de identificación aplicable de carburador
XL200 (3,4,5,6,7,8,9,10,11)	DK	Exportación general (KPH)	•	•	PD9AE <u>A</u>
	2LA	Latin America	•	•	PD9AD <u>A</u>
	CL	Chile	•	•	PD9AC <u>A</u>

* De los números de identificación de carburador, sólo las porciones subrayadas en el ejemplo siguiente se usan para registro.

PD9AE A KC **J**

Tabla de selección para llave ciega o abertura

Tipo	No. de llave
1	A**, B**

*: 0, 1, 2, 3, 4, 5, 6, 7, 8 ou 9

1



Back
Retour
Volver

Etiqueta de Color

- Al pedir piezas, compruebe el nombre del modelo, el color principal y el código observando la etiqueta de color "COLOR LABEL" de vehículo.
- Al pedir una pieza de color, utilizar la gráfica de colores de las instrucciones sobre catálogo de piezas.

1

Back
Retour
Volver

XL200

COLOR NH-196

CODE NH196

Modelo		XL200					
		Blanco Ross NH-196	Rojo maceio R-206	Modelo aplicable		No. de bloque aplicable	No. d
Color principal (COLOR)		NH196	R206	Modelo aplicable inicial	Modelo aplicable final		
Nombre de las piezas coloreadas							
1							
2							
3							
4							
5							
6							
7							
8							

Tabla de colores

• Al pedir piezas coloreadas, consulte la tabla de abajo y utilice un número de pieza consistente en el número de pieza básico relevante al que se le ha añadido un código de color de pieza.

XL200 (2001, 02, 03, 04, 05, 06, 07, 08, 09, 10, 11)

Nº	Modelo		XL200					
	Color principal (COLOR)		Blanco Ross NH-196	Rojo maceio R-206	Modelo aplicable		No. de bloque aplicable	No. de ref.
			NH196	R206	Modelo aplicable inicial	Modelo aplicable final		
	Nombre de las piezas coloreadas	No. de pieza básico						
1	ZAPATA, HORQUILLA DEL.	51611-KR6-013	ZH	ZH			F-8	21
2	COMP. DE CUERPO, BASTIDOR	50100-KBB-980	ZA	ZA			F-28	2
3	JUEGO DE CUBIERTA, LAT. IZO.	83600-KBB-980	ZA	ZB			F-15	4
4	JUEGO DE CUBIERTA, LAT. DER.	83500-KBB-980	ZA	ZB			F-15	2
5	COMP. DE PARAFANGO, TRAS.	80200-KBB-980	ZA	ZB			F-23	12
6	PARAFANGO, DEL.	61100-KBB-980	ZA	ZB			F-7	1
7	PUNO, DER. TRAS.	50311-KBB-900	ZE	ZE			F-23	5
8	GUIA, AIRE	64203-KBB-900	ZC	ZH			F-13	14
9	SOPORTE, SUPERIOR	53131-KBB-950	ZA	ZA			F-5	8
10	ETIQUETA, COLOR	87565-KBB-980	ZA	ZB			F-30	6
11	MARCA B DE CUBIERTA LATERAL IZO.	87134-KBB-970	ZA	ZA			F-31	8
12	MARCA B DE CUBIERTA LATERAL DER.	87133-KBB-970	ZA	ZA			F-31	7
13	MARCA, DEMARREUR ELECTRICO	87128-KBB-980	ZA	ZA			F-31	6
14	MARCA, VISERA DEL.	87122-KBB-980	ZA	ZA			F-31	1
15	MARCA, TANQUE DE COMBUSTIBLE IZO.	87124-KBB-980	ZA	ZB			F-31	3
16	MARCA, REFUERZO IZQUIERDO	87127-KBB-980	ZA	ZB			F-31	5
17	MARCA, TANQUE COMBUSTIBLE DER.	87123-KBB-980	ZA	ZB			F-31	2
18	MARCA, REFUERZO DERECHO	87126-KBB-980	ZA	ZB			F-31	4
19	TUBO MANUBRIO DE LA DIRECCION	53100-KBB-930	ZC	ZC			F-5	7
20	PLACA, SUSPENSION DE MOTOR DEL.	50203-KBB-900	ZF	ZF			F-28	5
21	COMP. DE ASIENTO, DOBLE	77200-KBB-980	ZA	ZA			F-14	2
22	JUEGO CUBIERTA, IZO.	19200-KBB-980	ZA	ZB			F-13	13
23	JUEGO CUBIERTA, DER.	19100-KBB-980	ZA	ZB			F-13	12
24	APOYO DE TANQUE TRAS.	50205-KBB-900	ZK	ZK			F-28	7
25	JUEGO DE TANQUE COMBUSTIBLE	17550-KBB-980	ZA	ZB			F-13	8
26	JUEGO DE VISERA, DEL.	61300-KBB-980	ZA	ZB			F-1	9
27*	ENS. AMORTIGUADOR TRASERO	52400-KBB-980	ZA	ZA			F-22	1
28*	ENS. AMORTIGUADOR TRASERO	52400-KBB-981	ZA	ZA			F-22	1
29	PROTECTOR, PALANCA IZQUIERDA	53185-KBB-950	ZB	ZF			F-3	35
30	PROTECTOR, PALANCA DERECHA	53180-KV2-900	ZE	ZM			F-4	19

1



Back
Retour
Volver

XL200 CL (Chile) (2001, 02, 03, 04, 05, 06, 07, 08, 09, 10, 11)

Nº	Modelo		XL200					
	Color principal (COLOR)		Blanco Ross NH-196	Rojo maceio R-206	Modelo aplicable		No. de bloque aplicable	No. de ref.
			NH196	R206	Modelo aplicable inicial	Modelo aplicable final		
	Nombre de las piezas coloreadas	No. de pieza básico						
1	COMP. DE CUEPERPO, BASTIDOR	50100-KBB-980	ZA	ZA			F-28	2
2	ZAPATA, HORQUILLA DEL.	51611-KR6-013	ZH	ZH			F-8	21
3	JUEGO DE CUBIERTA, LATERAL DER.	83600-KBB-980	ZA	ZB			F-15	4
4	JUEGO DE CUBIERTA, LATERAL IZO.	83500-KBB-980	ZA	ZB			F-15	2
5	ENS. DE AMORTIGUADOR, TRAS.	52400-KBB-980	ZA	ZA			F-22	1
6	ENS. DE AMORTIGUADOR, TRAS.	52400-KBB-981	ZA	ZA			F-22	1
7	COMP. DE PARAFANGO, TRAS.	80200-KBB-980	ZA	ZB			F-23	12
8	PARAFANGO DEL.	61100-KBB-980	ZA	ZB			F-7	1
9	PUNO, DER. TRAS.	50311-KBB-900	ZE	ZE			F-23	5
10	PROTECTOR, PALANCA IZQUIERDA	53185-KBB-980	ZB	ZF			F-3	35
11	PROTECTOR, PALANCA DERECHA	53180-KBB-980	ZA	ZB			F-4	19
12	GUIA, AIRE	64203-KBB-900	ZC	ZH			F-13	14
13	SOPORTE SUPERIOR	53131-KBB-950	ZA	ZA			F-5	8
14	ETIQUETA, COLOR	87565-KBB-980	ZA	ZB			F-30	6
15	MARCA B DE CUBIERTA LATERAL IZO.	87134-KBB-970	ZA	ZA			F-31	8
16	MARCA B DE CUBIERTA LATERAL DER.	87133-KBB-970	ZA	ZA			F-31	7
17	MARCA, DEMARREUR ELECTRICO	87128-KBB-980	ZA	ZA			F-31	6
18	MARCA, VISERA DEL.	87122-KBB-980	ZA	ZA			F-31	1
19	MARCA, TANQUE DE COMBUSTIBLE DER.	87124-KBB-980	ZA	ZB			F-31	3
20	MARCA, REFUERZO IZQUIERDO	87127-KBB-980	ZA	ZB			F-31	5
21	MARCA DER., TANQUE DE COMBUSTIBLE	87123-KBB-980	ZA	ZB			F-31	2
22	MARCA, REFUERZO DERECHO	87126-KBB-980	ZA	ZB			F-31	4
23	TUBO, MANUBRIO DE LA DIRECCION	53100-KBB-930	ZC	ZC			F-5	7
24	PLACA SUSPENSION DE MOTOR DEL.	50203-KBB-900	ZF	ZF			F-28	5
25	COMP. DE ASIENTO, DOBLE	77200-KBB-980	ZA	ZA			F-14	2
26	JUEGO CUBIERTA, IZO.	19200-KBB-980	ZA	ZB			F-13	13
27	JUEGO CUBIERTA, DER.	19100-KBB-980	ZA	ZB			F-13	12
28	APOYO DE TANQUE TRAS.	50205-KBB-900	ZK	ZK			F-28	7
29	JUEGO DE TANQUE, COMBUSTIBLE	17550-KBB-980	ZA	ZB			F-13	8
30	JUEGO DE VISERA, DEL.	61300-KBB-980	ZA	ZB			F-1	9



Back
Retour
Volver

Mangueras de combustible, mangueras de aplicaciones generales y mangueras de vinilo

- La manguera de combustible de partes estándar, manguera de aplicaciones generales y la manguera de vinilo pueden sustituirse por la parte sin embalar bobinada.
- Cuando efectúe pedidos de la manguera de combustible de partes estándar, manguera de aplicaciones generales y manguera de vinilo, emplee el número de parte sin embalar escrito entre paréntesis () en el catálogo de partes, debajo del nombre de la parte, o emplee el catálogo de abajo (La longitud estándar de la parte sin embalar es de 1 m, aunque las mostradas en el catálogo < > están disponibles en longitudes de 3 m y 8 m.)
- Cuando cambie la manguera, corte y emplee la manguera a la longitud especificada como se menciona en el nombre de la parte.
(En cuanto al método de corte de la parte sin embalar, y método de relleno de pedidos, etc., consulte el manual de servicio y las instrucciones que acompañan a la parte sin embalar.)
- La lista siguiente es un catálogo de los números de parte estándar y números de parte sin embalar. Tenga presente que estos números son aplicables solo a las partes de reemplazo enumeradas en la lista.

Manguera de combustible				Manguera de aplicaciones generales				Manguera de aplicaciones generales			
Número de parte estándar	Número de parte sin embalar	Parte sin embalar		Número de parte estándar	Número de parte sin embalar	parte sin embalar		Número de parte estándar	Número de parte sin embalar	Bulk part	
		Diámetro interior (mm)	Longitud (m)			Diámetro interior (mm)	Longitud (m)			Diámetro interior (mm)	Longitud (m)
95001-30XXX-2X	95001-30001-20M	3.0	1	95005-30XXX-3X	95005-30001-30M	3.0	1	95005-75XXX-1X	95005-75001-10M	7.3	1
95001-30XXX-3X	95001-30001-30M	3.0	1	95005-30XXX-5X	95005-30001-50M	3.0	1	<95005-75003-10M>		7.3	3
9500-30XXX-4X	95001-30001-40M	3.0	1	95005-35XXX-1X	95005-35001-10M	3.5	1	95005-75XXX-2X	95005-75001-20M	7.3	1
95001-35XXX-2X	95001-35001-50M	3.5	1	95005-35XXX-4X	<95005-35003-10M>	3.5	3	95005-80XXX-1X	95005-80001-10M	8.0	1
95001-35XXX-5X	<95001-35003-50M>	3.5	3		<95005-35008-10M>	3.5	8	<95005-80003-10M>		8.0	3
95001-35XXX-3X	95001-35001-60M	3.5	1	95005-35XXX-2X	95005-35001-20M	3.5	1	95005-80XXX-2X	95005-80001-20M	8.0	1
95001-35XXX-4X	<95001-35003-60M>	3.5	3	95005-35XXX-3X	95005-35001-30M	3.5	1	95005-80XXX-3X	95005-80001-30M	8.0	1
95001-35XXX-6X				95005-35XXX-5X	95005-35001-50M	3.5	1	95005-80XXX-5X	95005-80001-50M	8.0	1
95001-45XXX-2X	95001-45001-50M	4.5	1	95005-45XXX-1X	95005-45001-10M	4.5	1	95005-11XXX-3X	95005-11001-30M	11.0	1
95001-45XXX-5X	<95001-45003-50M>	4.5	3	95005-45XXX-4X	<95005-45003-10M>	4.5	3	95005-11XXX-5X	95005-11001-50M	11.0	1
95001-45XXX-3X	95001-45001-60M	4.5	1		<95005-45008-10M>	4.5	8	95005-12XXX-1X	95005-12001-10M	12.0	1
95001-45XXX-4X	<95001-45003-60M>	4.5	3	95005-45XXX-2X	95005-45001-20M	4.5	1	<95005-12003-10M>		12.0	3
95001-45XXX-6X	<95001-45008-60M>	4.5	8	95005-45XXX-3X	95005-45001-30M	4.5	1	95005-12XXX-2X	95005-12001-20M	12.0	1
95001-55XXX-2X	95001-55001-50M	5.5	1	95005-45XXX-5X	95005-45001-50M	4.5	1	95005-12XXX-3X	95005-12001-30M	12.0	1
95001-55XXX-5X	<95001-55003-50M>	5.5	3	95005-50XXX-3X	95005-50001-30M	5.0	1	95005-12XXX-5X	95005-12001-50M	12.0	1
	<95001-55008-50M>	5.5	8		<95005-50003-30M>	5.0	3	95005-91XXX-3X	95005-91001-30M	12.0	1
95001-55XXX-3X	95001-55001-60M	5.5	1	95005-50XXX-5X	95005-50001-50M	5.0	1	95005-91XXX-5X	95005-91001-50M	12.0	1
95001-55XXX-4X	<95001-55003-60M>	5.5	3	95005-55XXX-1X	95005-55001-10M	5.3	1	95005-92XXX-3X	95005-92001-30M	12.0	1
95001-55XXX-6X	<95001-55008-60M>	5.5	8	95005-55XXX-4X	<95005-55003-10M>	5.3	3	95005-92XXX-5X	95005-92001-50M	12.0	1
					<95005-55008-10M>	5.3	8	95005-14XXX-1X	95005-14001-10M	14.0	1
95001-75XXX-2X	95001-75001-50M	7.5	1	95005-55XXX-2X	95005-55001-20M	5.3	1	95005-14XXX-2X	95005-14001-20M	14.0	1
95001-75XXX-5X	<95001-75003-50M>	7.5	3		<95005-55003-20M>	5.3	3	<95005-14003-20M>		14.0	3
95001-75XXX-3X	95001-75001-60M	7.5	1	95005-65XXX-1X	95005-65001-10M	6.5	1	95005-14XXX-3X	95005-14001-30M	14.0	1
95001-75XXX-4X	<95001-75003-60M>	7.5	3		<95005-65003-10M>	6.5	3	95005-14XXX-5X	95005-14001-50M	14.0	1
95001-75XXX-6X	<95001-75008-60M>	7.5	8	95005-65XXX-2X	95005-65001-20M	6.5	1	95005-17XXX-1X	95005-17001-10M	17.0	1
95001-80XXX-2X	95001-80001-50M	8.0	1					95005-17XXX-2X	95005-17001-20M	17.0	1
95001-80XXX-5X				95005-70XXX-3X	95005-70001-30M	7.0	1	95005-17XXX-3X	95005-17001-30M	17.0	1
95001-80XXX-3X					<95005-70003-30M>	7.0	3	95005-17XXX-5X	95005-17001-50M	17.0	1
95001-80XXX-4X	95001-80001-60M	8.0	1	95005-70XXX-5X	95005-70001-50M	7.0	1				
95001-80XXX-6X											

⚠ ADVERTENCIA

Es PELIGROSO confundir la manguera de combustible con la manguera de aplicaciones generales o manguera de vinilo. No emplee nunca una manguera de aplicaciones generales ni manguera de vinilo en lugar de una manguera de combustible ni vice-versa. Emplee siempre la parte sin embalar correcta de la lista de partes, de acuerdo con el manual de servicio o las instrucciones que acompañan a la parte sin embalar.



Mangueras de combustible, mangueras de aplicaciones generales y mangueras de vinilo

Manguera de vinilo				
Número de parte estándar	Número de parte sin envasar	Parte sin envasar		
		Diámetro interior (mm)	Diámetro exterior (mm)	Longitud (m)
95003-01XXX-3X	95003-01001-60M	2.9	6.8	1
95003-01XXX-60	<95003-01003-60M>	2.9	6.8	3
95003-03XXX-3X	95003-03001-60M	3.0	6.0	1
95003-03XXX-60	<95003-03003-60M>	3.0	6.0	1
95003-05XXX-3X	95003-05001-60M	3.5	6.5	1
95003-05XXX-60	<95003-05003-60M>	3.5	6.5	3
	<95003-05008-60M>	3.5	6.5	8
95003-07XXX-1X	95003-07001-10M	4.0	7.0	1
95003-07XXX-20	<95003-07003-10M>	4.0	7.0	3
95003-07XXX-3X	95003-07001-60M	4.0	7.0	1
95003-07XXX-60	<95003-07003-60M>	4.0	7.0	3
	<95003-07008-60M>	4.0	7.0	8
95003-07XXX-7X	95003-07001-70M	4.0	7.0	1
	<95003-07003-70M>	4.0	7.0	3
	<95003-07008-70M>	4.0	7.0	8
95003-08XXX-1X	95003-08001-10M	4.5	6.5	1
	<95003-08003-10M>	4.5	6.5	3
	<95003-08008-10M>	4.5	6.5	8
95003-09XXX-3X	95003-09001-60M	4.5	8.0	1
95003-09XXX-60	<95003-09003-60M>	4.5	8.0	3
95003-12XXX-1X	95003-12001-10M	5.0	7.0	1
95003-12XXX-20	<95003-12003-10M>	5.0	7.0	3
	<95003-12008-10M>	5.0	7.0	8
95003-10XXX-1X	95003-10001-10M	5.0	8.0	1
95003-10XXX-20	<95003-10003-10M>	5.0	8.0	3
95003-10XXX-3X	95003-10001-60M	5.0	8.0	1
95003-10XXX-60	<95003-10003-60M>	5.0	8.0	3
95003-11XXX-3X	95003-11001-60M	5.0	9.0	1
95003-11XXX-60	<95003-11003-60M>	5.0	9.0	3
	<95003-11008-60M>	5.0	9.0	8
95003-14XXX-1X	95003-14001-10M	6.0	9.0	1
95003-14XXX-20	<95003-14003-10M>	6.0	9.0	3
95003-14XXX-3X	95003-14001-60M	6.0	9.0	1
	<95003-14003-60M>	6.0	9.0	3
95003-17XXX-1X	95003-17001-10M	7.0	9.0	1
	<95003-17003-10M>	7.0	9.0	3
95003-19XXX-1X	95003-19001-10M	7.0	11.0	1
95003-19XXX-20	<95003-19003-10M>	7.0	11.0	3
	<95003-19008-10M>	7.0	11.0	8
95003-19XXX-3X	95003-19001-60M	7.0	11.0	1
95003-19XXX-60	<95003-19003-60M>	7.0	11.0	3
	<95003-19008-60M>	7.0	11.0	8
95003-21XXX-1X	95003-21001-10M	8.0	9.0	1
95003-21XXX-20	<95003-21003-10M>	8.0	9.0	3
95003-23XXX-1X	95003-23001-10M	8.0	12.0	1
95003-23XXX-20	<95003-23003-10M>	8.0	12.0	3

Manguera de vinilo				
Número de parte estándar	Número de parte estándar	Parte sin envasar		
		Diámetro interior (mm)	Diámetro exterior (mm)	Longitud (m)
95003-23XXX-3X	95003-23001-60M	8.0	12.0	1
95003-23XXX-60	<95003-23003-60M>	8.0	12.0	3
	<95003-23008-60M>	8.0	12.0	8
95003-25XXX-1X	95003-25001-10M	9.0	11.0	1
95003-25XXX-20	<95003-25003-10M>	9.0	11.0	3
95003-25XXX-3X	95003-25001-60M	9.0	11.0	1
	<95003-25003-60M>	9.0	11.0	3
95003-25XXX-7X	95003-25001-70M	9.0	11.0	1
	<95003-25003-70M>	9.0	11.0	3
95003-27XXX-1X	95003-27001-10M	9.0	13.0	1
95003-27XXX-20	<95003-27003-10M>	9.0	13.0	3
95003-27XXX-3X	95003-27001-60M	9.0	13.0	1
95003-27XXX-60	<95003-27003-60M>	9.0	13.0	3
95003-33XXX-1X	95003-33001-10M	10.0	14.0	1
95003-33XXX-20	<95003-33003-10M>	10.0	14.0	3
95003-36XXX-1X	95003-36001-10M	11.0	13.0	1
95003-36XXX-20	<95003-36003-10M>	11.0	13.0	3
	<95003-36008-10M>	11.0	13.0	8
95003-37XXX-3X	95003-37001-60M	11.0	15.0	1
95003-37XXX-60	<95003-37003-60M>	11.0	15.0	3
95003-38XXX-1X	95003-38001-10M	12.0	13.0	1
95003-38XXX-20	<95003-38003-10M>	12.0	13.0	3
95003-39XXX-1X	95003-39001-10M	12.0	14.0	1
95003-39XXX-20	<95003-39003-10M>	12.0	14.0	3
95003-40XXX-20	95003-40001-10M	12.0	16.0	1
	<95003-40003-10M>	12.0	16.0	3
95003-40XXX-3X	95003-40001-60M	12.0	16.0	1
95003-40XXX-60	<95003-40003-60M>	12.0	16.0	3
95003-43XXX-1X	95003-43001-10M	13.0	15.0	1
95003-43XXX-20	<95003-43003-10M>	13.0	15.0	3
	<95003-43008-10M>	13.0	15.0	8
95003-45XXX-1X	95003-45001-10M	14.0	18.0	1
95003-45XXX-20	<95003-45003-10M>	14.0	18.0	3
	<95003-45008-10M>	14.0	18.0	8
95003-50XXX-1X	95003-50001-10M	16.0	19.0	1
95003-50XXX-20	<95003-50003-10M>	16.0	19.0	3
95003-50XXX-3X	95003-50001-60M	16.0	19.0	1
	<95003-50003-60M>	16.0	19.0	3
95003-55XXX-1X	95003-55001-10M	17.5	20.5	1
95003-55XXX-20	<95003-55003-10M>	17.5	20.5	3
95003-60XXX-1X	95003-60001-10M	22.0	27.0	1
95003-60XXX-20	<95003-60003-10M>	22.0	27.0	3
95003-60XXX-3X	95003-60001-60M	22.0	27.0	1
95003-60XXX-60	<95003-60003-60M>	22.0	27.0	3

⚠ ADVERTENCIA

Es PELIGROSO confundir la manguera de combustible con la manguera de aplicaciones generales o manguera de vinilo
No emplee nunca una manguera de aplicaciones generales ni manguera de vinilo en lugar de una manguera de combustible ni vice-versa. Emplee siempre la parte sin envasar correcta de la lista de partes, de acuerdo con el manual de servicio o las instrucciones que acompañan a la parte sin envasar.

Número de parte sin envasar de la manguera de combustible, manguera de aplicaciones generales y manguera de vinilo

Ejemplo: 9 5 0 0 1 - 7 5 0 0 1 - 5 0 M

Número de parte sin envasar: Se refiere a la parte sin envasar.

Código de marca (tipo de manguera): (manguera de combustible y manguera de aplicaciones generales)

Código de cambio (para manguera añadida): (manguera de vinilo)

- Indica la marca de número o secuencia de cambio, aunque el código para la parte sin envasar debe ser estrictamente 0 (cero).

Tipos de código:

- Manguera de combustible:
 - 5 : Trenzado interior negro
 - 2 : Trenzado exterior rojo (sólo 3 mm de diámetro interior)
 - 6 : Negro
 - 3 : Rojo (sólo 3 mm de diámetro interior)
 - 4 : Gris ceniza con franja roja (sólo 3 mm de diámetro interior)

- General hose:
 - 1 : Gris ceniza
 - 2 : Gris ceniza
 - 3 : Negro
 - 5 : Negro

- Manguera de vinilo:
 - 1 : Transparente
 - 2 : Negro
 - 3 : Rojo claro
 - 7 : Negro pálido
 - 6 : Rojo claro

Longitudes : 001 : 1 m (Estancar)
003 : 3 m
008 : 8 m

Código de diámetro int. : (Manguera de combustible y manguera de aplicaciones generales)

30 : 3.0 mm	11 : 11 mm
35 : 3.5 mm	91 : 12 (Diámetro exterior de 15) mm
45 : 4.5 mm	92 : 12 (Diámetro exterior de 16) mm
50 : 5.0 mm	12 : 12 (Diámetro exterior de 17) mm
55 : 5.3 mm	14 : 14 mm
5.5 mm	17 : 17 mm
65 : 6.5 mm	
70 : 7.0 mm	
75 : 7.3 mm	
7.5 mm	
80 : 8.0 mm	

Código de diámetro int./ext. (manguera de vinilo)

01 : DI 2.9, DE 6.8 mm	14 : DI 6.0, DE 9.0 mm	37 : DI 11.0, DE 15.0 mm
03 : DI 3.0, DE 6.0 mm	17 : DI 7.0, DE 9.0 mm	38 : DI 12.0, DE 13.0 mm
05 : DI 3.5, DE 6.5 mm	19 : DI 7.0, DE 11.0 mm	39 : DI 12.0, DE 14.0 mm
07 : DI 4.0, DE 7.0 mm	21 : DI 8.0, DE 9.0 mm	40 : DI 12.0, DE 16.0 mm
08 : DI 4.5, DE 6.5 mm	23 : DI 8.0, DE 12.0 mm	43 : DI 13.0, DE 15.0 mm
09 : DI 4.5, DE 8.0 mm	25 : DI 9.0, DE 11.0 mm	45 : DI 14.0, DE 18.0 mm
12 : DI 5.0, DE 7.0 mm	27 : DI 9.0, DE 13.9 mm	50 : DI 16.0, DE 19.0 mm
10 : DI 5.0, DE 8.0 mm	33 : DI 10.0, DE 14.0 mm	55 : DI 17.5, DE 20.5 mm
11 : DI 5.0, DE 9.0 mm	36 : DI 11.0, DE 13.0 mm	60 : DI 22.0, DE 27.0 mm

Tipo Manguera : 1 Manguera de combustible
2 Manguera de aplicaciones generales
3 Manguera de vinilo



Back
Retour
Volver

Modo de usar la tarifa horaria llana (THLL)

La THLL (Tarifa Horaria Llana) se emplea para determinar el tiempo de trabajo de promedio permitido para el cambio de las partes protegidas por la garantía durante su período de validez. La THLL para las partes que no estén en lista han de ser determinadas por el cambio de dichas partes.

1. La THLL se base en las siguientes condiciones de servicio

- Al tiempo neto de servicio se añade una amplia tolerancia.
- Los tiempos de promedio especificados se basan en la condición de que las herramientas necesarias de servicio que aparecen en la lista del manual de servicio (motocicleta) que describe la política de servicio de HONDA están disponibles a mano, y de que el trabajo se ejecuta por un mecánico de habilidad normal.
- El tiempo requerido para la inspección y para la prueba de funcionamiento que sigue al servicio se incluye en la THLL.

2. Método de computación

Los tiempos de trabajo se dan en décimas de hora para facilitar el cómputo.

Ejemplo: 0,3 = 18 minutos
5,6 = 5 horas y 36 minutos

Cuadro de Conversion			
Horas	Minutos	Horas	Minutos
0,1	6	0,6	36
0,2	12	0,7	42
0,3	18	0,8	48
0,4	24	0,9	54
0,5	30	1,0	60

3. Computación de la THLL

Cuando se hacen muchos trabajos a un mismo tiempo, el cómputo ha de efectuarse de la siguiente manera.

- Trabajos de naturaleza no duplicada

La THLL para el trabajo se obtiene sacando el total (de ella) para cada parte reemplazada.

Ejemplo: Cambio del Culata y del resorte de embrague.

Artículo de Servicio	THLL
Culata	1,8
Resorte de embrague	0,8

O T.M.O. para el servicio es $1,8 + 0,8 = 2,6$

- Trabajos de naturaleza duplicada

Sáquese la THLL para la última parte que ha de reemplazarse.

Ejemplo: Cambio de pistón y de junta de cabeza de cilindro

Artículo de Servicio	THLL
Junta de culata de cilindro	1,5
Pistón	1,9

O T.M.O. para el servicio es 1,9

- Trabajos de naturaleza parcialmente relacionada.

Totalice la THLL para todas las partes reemplazadas y substraiga luego la THLL para la operación duplicada.

Ejemplo: Reemplazo de eje contra y ensamble del cigüeñal.

Artículo de Servicio	THLL
Eje contra	*4,1
Cigüeñal	*4,3
Desarme del Cártel del Cigüeñal	*3,9

La THLL para todo el trabajo será: $(4,1 + 4,3) - 3,9 = 4,5$

El desarme del cárter del cigüeñal constituye la operación duplicada.

- La THLL marcada con (*) incluye la instalación y el retiro del motor.
- Las partes que tienen el mismo número de hombre-hora, se identifican con una marca "*" y se clasifican bajo el título de su trabajo representativo.

1



Back
Retour
Volver

4. Operaciones distintas al cambio de partes

a. Retiro e Instalación

No.	Artículo de servicio	THLL
1	Carburador	0.9
2	Motor	2.2
3	Culata del Cilindro	*3.1
4	Cárter	*5.7

b. Ajuste, medición y limpieza Motors

No.	Artículo de servicio	THLL
1	Ajuste del Carburador em Ralenti	0.1
2	Ajuste Aceleración	0.1
3	Ajuste Embrague	0.1
4	Inspección de Punto del Ignición	0.2
5	Limpeza del Filtro del Aceite	0.9
6	Carburador Inspección del Nivel Flotante	1.1
7	Ajuste del Alzavalvulas	1.8

Bastidor

No.	Artículo de servicio	THLL
1	Ajuste del Freno Trasero	0.1
2	Regulage Freno	0.1
3	Enfoques de Faro	0.1
4	Cadena de Mando (Incluye ajuste de Tensión, mas no de Incluye la troca)	0.1
5	Freno Delantero Expulsión de Aire	0.2

c. Revisión general

No.	Artículo de servicio	THLL
1	Carburador	1.7

Todas las informaciones, ilustraciones y especificaciones en esta publicación están basadas en las informaciones más recientes disponibles sobre el producto en el momento en que la impresión de la publicación fue autorizada.

MOTO HONDA DA AMAZONIA Ltda. se reserva el derecho de alterar las características del vehículo en cualquier momento y sin aviso previo, sin que por ello incurra en cualquier tipo de obligación.

Esta publicación no puede ser reproducida en su totalidad o parcialmente a no ser mediante autorización por escrito.

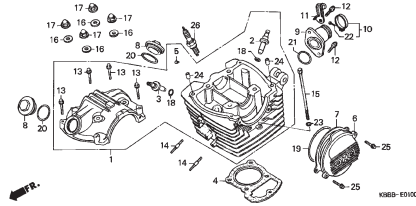
MOTO HONDA DA AMAZÔNIA LTDA.
Departamento de Servicios Pós-Ventas
Sector de Publicaciones Técnicas.



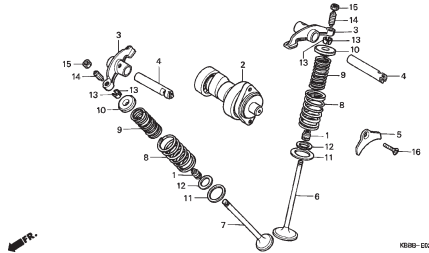
Engine Group Groupe Moteur Grupo de Motor

- Ref. No. on the index illustration may be different from that in the text.
- Le n° de réf. indiqué dans l'illustration d'index peut être différent de celui utilisé dans le texte.
- El número de referencia en la ilustración de índices puede ser diferente del que aparece en el texto.

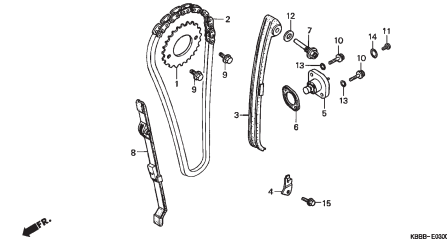
E-1 Cylinder Head Cover / Couvercle de Culasse / Cubierta Culata Cilindro



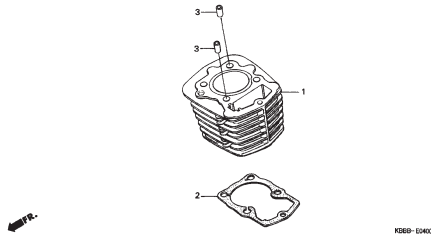
E-2 Camshaft / Arbre a Cames / Arbol de Levas



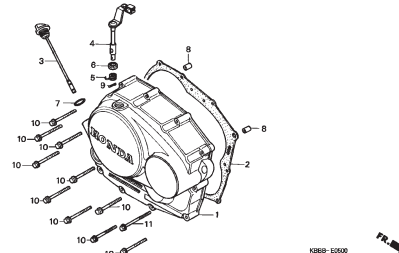
E-3 Cam Chain / Chaîne a Cames / Cadena de Leva



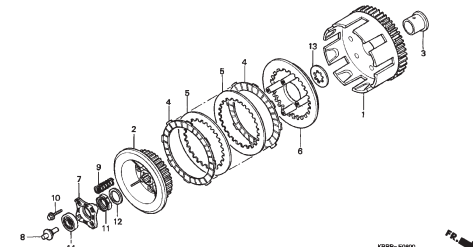
E-4 Cylinder / Cylindre / Cilindro



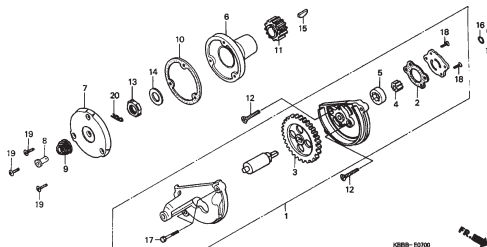
E-5 Right Crankcase Cover / Panneau Carter-Moteur D. / Cubierta de Carter Der.



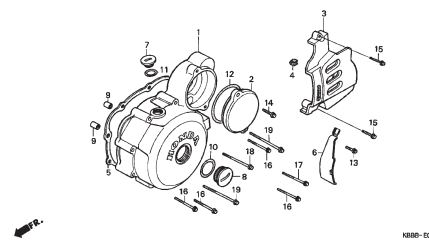
E-6 Clutch / Embrayage / Embrague



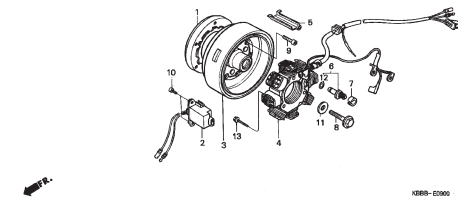
E-7 Oil Pump / Pompe A Huile / Bomba de Aceite



E-8 Left Crankcase Cover / Panneau Carter Moteur G. / Cubierta de Carter Izq.



E-9 Generator / Generatrice / Generator



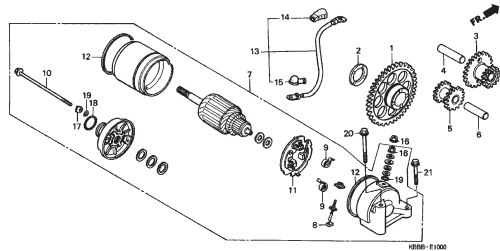
2

Back
Retour
Volver

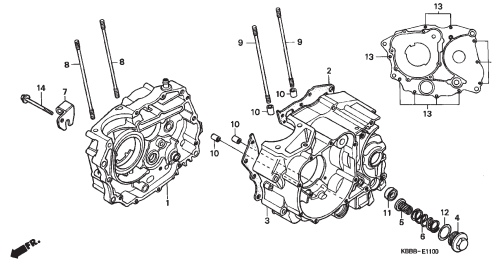
Engine Group Groupe Moteur Grupo de Motor

- Ref. No. on the index illustration may be different from that in the text.
- Le n° de réf. indiqué dans l'illustration d'index peut être différent de celui utilisé dans le texte.
- El número de referencia en la ilustración de índices puede ser diferente del que aparece en el texto.

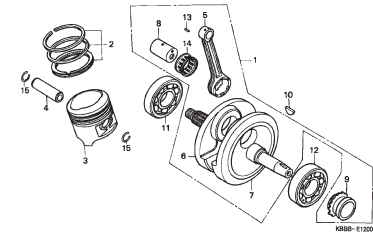
E-10 Starting Motor / Moteur de Demarrage / Motor de Arranque



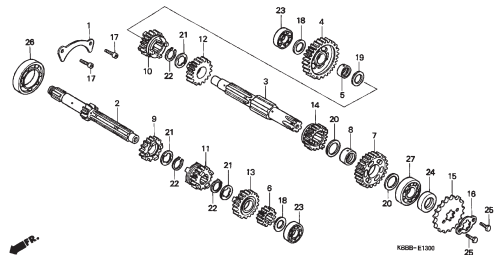
E-11 Crankcase / Carter Moteur / Carter de Motor



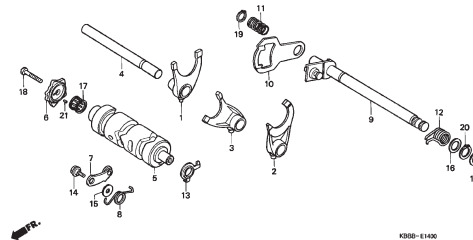
E-12 Crankshaft • Piston / Vilebrequin • Piston / Cigüenal • Piston



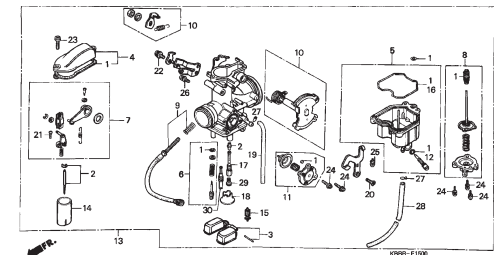
E-13 Transmission / Boite de Vitesses / Transmision



E-14 Gear Shift Drum / Barillet de Selection / Tambor Cambio Engranajes



E-15 Carburetor / Carburateur / Carburador



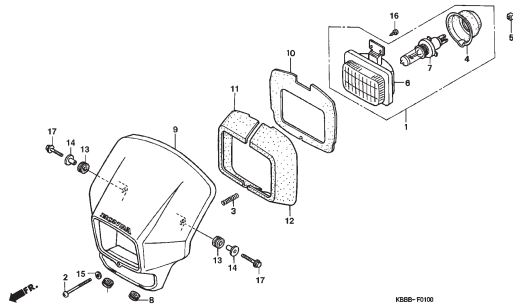
2

Back
Retour
Volver

Frame Group Groupe Cadre Grupo de Bastidor

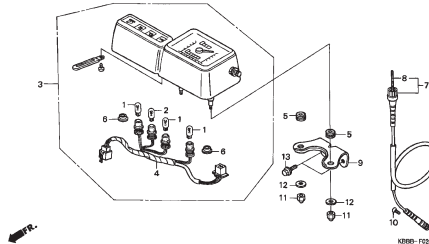
- Ref. No. on the index illustration may be different from that in the text.
- Le n° de réf. indiqué dans l'illustration d'index peut être différent de celui utilisé dans le texte.
- El número de referencia en la ilustración de índices puede ser diferente del que aparece en el texto.

F-1 Headlight / Projecteur / Faro Delantero



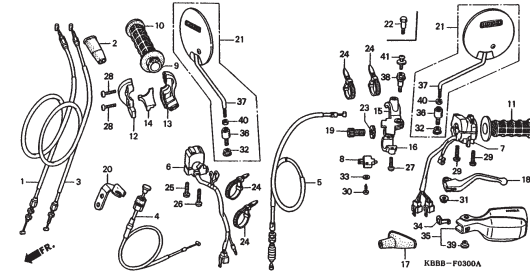
KBBB-F0100

F-2 Meter / Compteur / Indicador



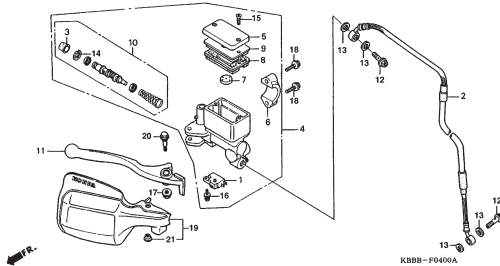
KBBB-F0300

F-3 Switch • Cable / Commutateur • Cable / Interruptor • Cable



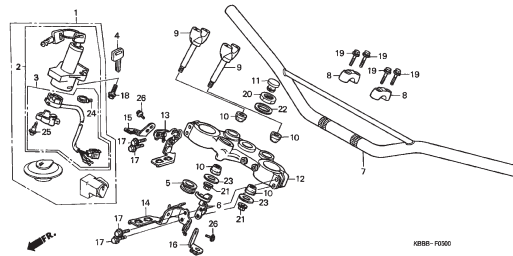
KBBB-F0300A

F-4 FR. Brake Master Cylinder / Maitre Cylindre Frein Av. / Cilindro Maestro de Freno



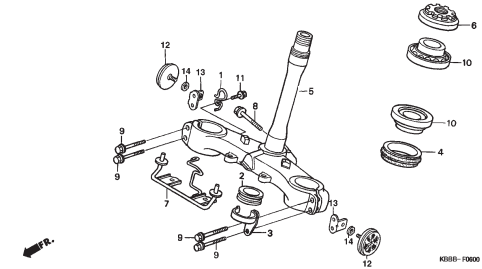
KBBB-F0400A

F-5 Handle Pipe / Tuyau de Guidon / Tuberia de Manija



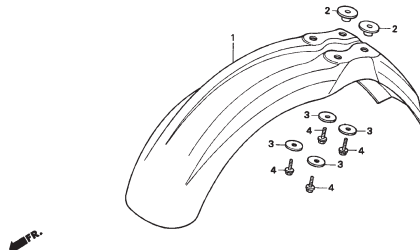
KBBB-F0500

F-6 Steering Stem / Tige de Direction / Vastago de Direccion



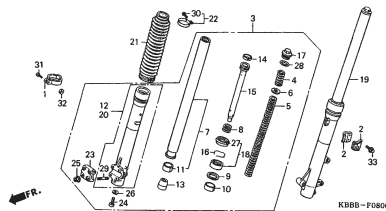
KBBB-F0600

F-7 Front Fender / Garde-Boue Av / Parafango Delantero



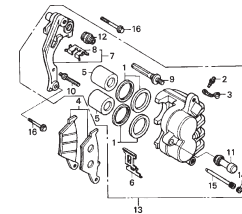
KBBB-F0700

F-8 Front Fork / Fourchette Avant / Horquilla Delantera



KBBB-F0800R

F-9 Front Brake Caliper / Etrier de Frein Avant / Calibre de Freno

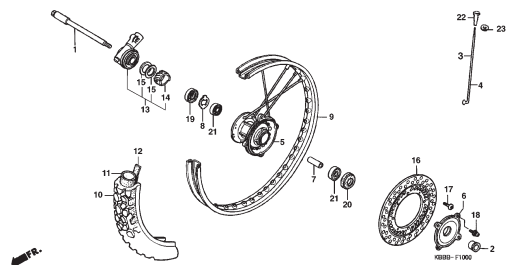


KBBB-F0900

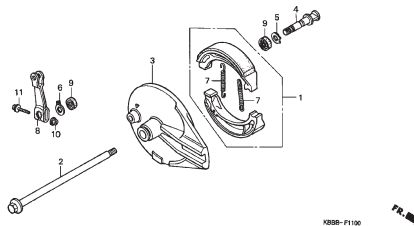
Frame Group Groupe Cadre Grupo de Bastidor

- Ref. No. on the index illustration may be different from that in the text.
- Le n° de réf. indiqué dans l'illustration d'index peut être différent de celui utilisé dans le texte.
- El número de referencia en la ilustración de índices puede ser diferente del que aparece en el texto.

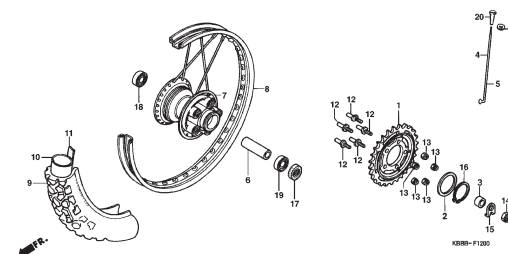
F-10 Front Wheel / Roue Avant / Rueda Delantera



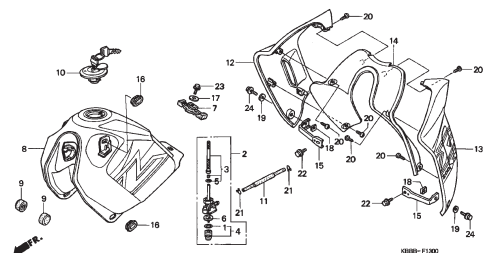
F-11 Rear Brake Panel / Panneau de Frein Arriere / Panel de Freno Trasero



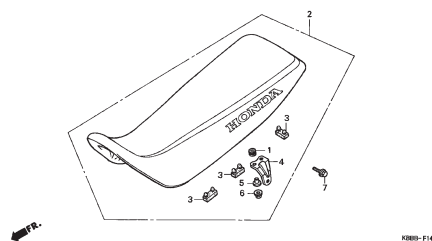
F-12 Rear Wheel / Roue Arriere / Rueda Trasera



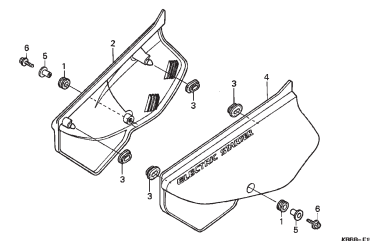
F-13 Fuel Tank / Reservoir A Carburant / Tanque de Combustible



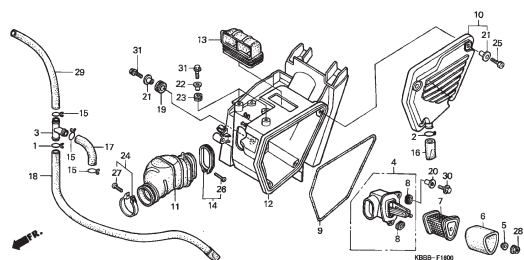
F-14 Seat / Siege / Asiento



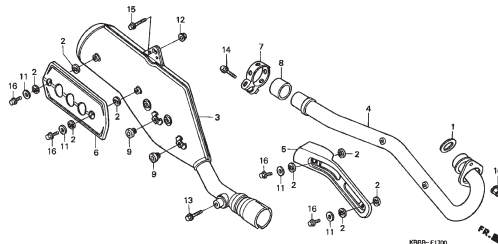
F-15 Side Cover / Couvercle Lateral / Cubierta Lateral



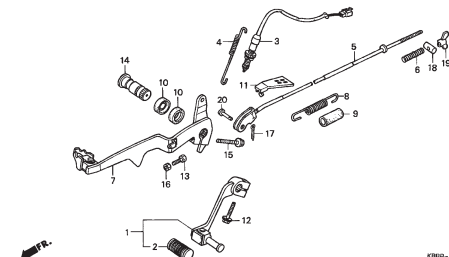
F-16 Air Cleaner / Filtre A Air / Limpiador de Aire



F-17 Exhaust Muffler / Silencieux Déchappement / Silenciador de Escape



F-18 Pedal / Pedale / Pedal



3

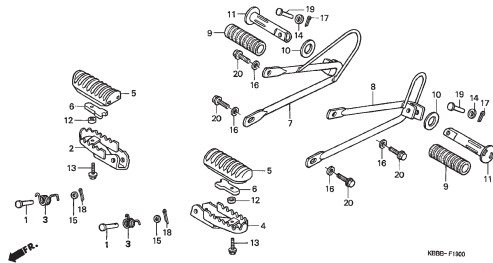


Back
Retour
Volver

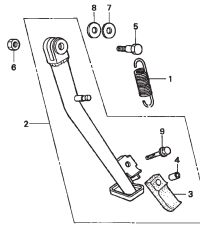
Frame Group Groupe Cadre Grupo de Bastidor

- Ref. No. on the index illustration may be different from that in the text.
- Le n° de réf. indiqué dans l'illustration d'index peut être différent de celui utilisé dans le texte.
- El número de referencia en la ilustración de índices puede ser diferente del que aparece en el texto.

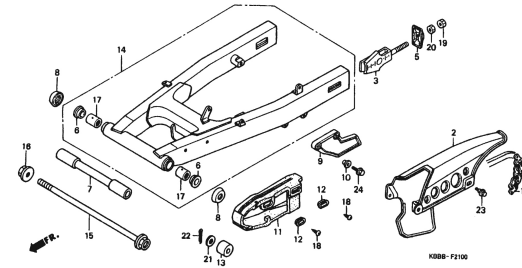
F-19 Step / Marche / Estribo



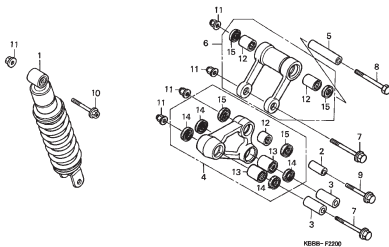
F-20 Side Stand / Bequille Laterale / Soporte Lateral



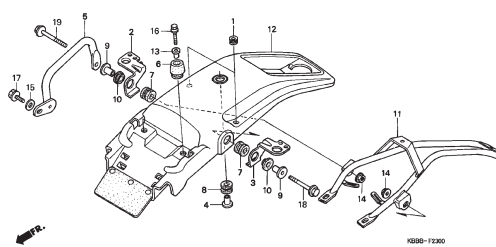
F-21 Swingarm / Bras Oscillant / Brazo de Oscilacion



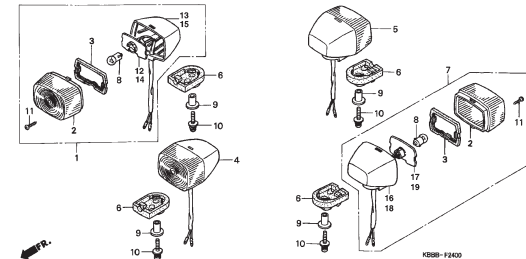
F-22 Rear Cushion / Coussin Arriere / Almohadilla Trasera



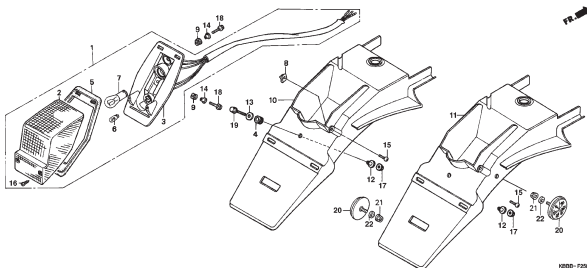
F-23 Rear Fender / Garde Boue Arriere / Parafango Trasero



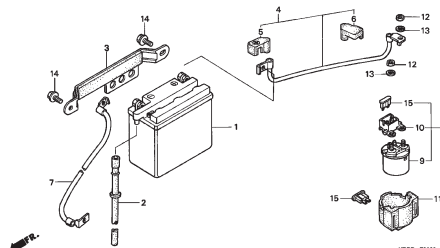
F-24 Winker / Clignotant / Guino



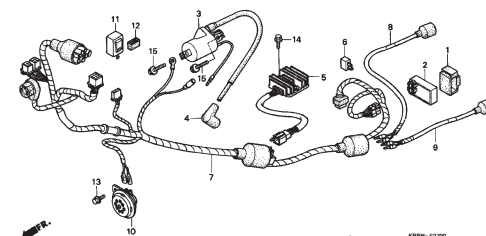
F-25 Taillight / Feu Arriere / Luz Trasera



F-26 Battery / Batterie / Bateria



F-27 Wire Harness / Faisceau des Fil / Conjunto de Alambres



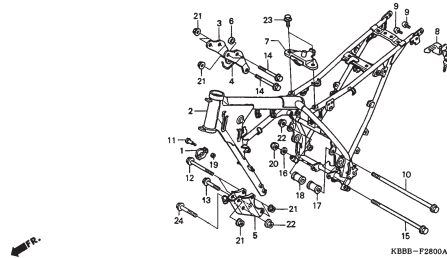
3

Back
Retour
Volver

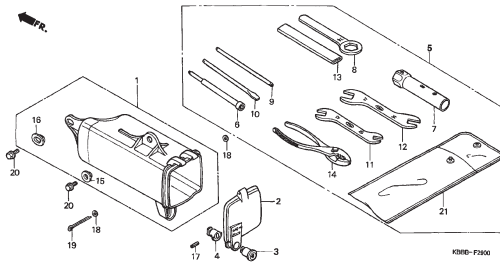
Frame Group Groupe Cadre Grupo de Bastidor

- Ref. No. on the index illustration may be different from that in the text.
- Le n° de réf. indiqué dans l'illustration d'index peut être différent de celui utilisé dans le texte.
- El número de referencia en la ilustración de índices puede ser diferente del que aparece en el texto.

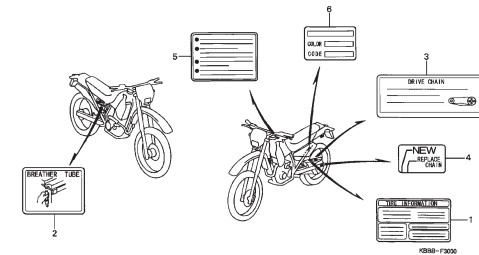
F-28 Frame Body / Carrosserie de Chassis / Cuerpo de Bastidor



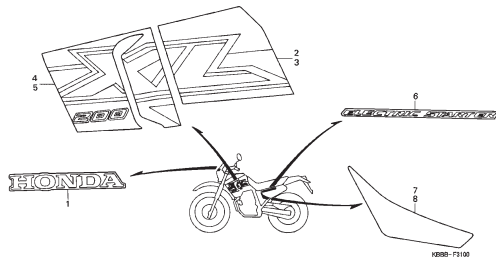
F-29 Tools / Outils / Herramientas



F-30 Caution Label / Etiquette de Precautions / Etiqueta de Precaucion



F-31 Mark / Marque / Marca

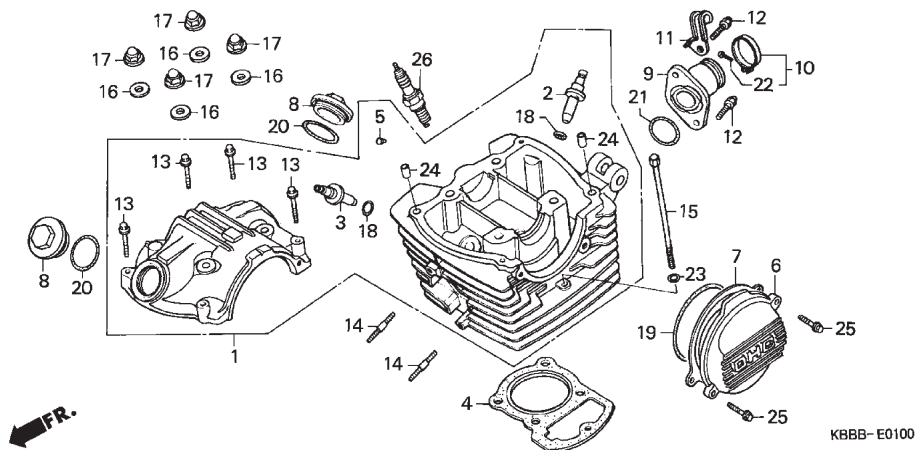


E-1

Cylinder Head Cover • Cylinder Head

Couvercle de Culasse • Culasse

Cubierta Culata Cilindro • Culata de Cilindro



2



Back
Retour
Volver

Service Item	F.R.T	Ref. N°	Part No.	Description	Qty. XL200	Serial No.	Note
PLUG, SPARK.....	0.1	1	12000-KBW-940	HEAD ASSY., CYLINDER	1
COVER, L. CYLINDER HEAD.....	0.2	*	12000-KBW-941	HEAD ASSY., CYLINDER	1
INSULATOR, CARBURETOR.....	0.3	2	12204-KW1-305	GUIDE, IN. VALVE	1
GASKET, CYLINDER HEAD.....	*2.7	3	12206-KW1-315	GUIDE, EX. VALVE	1
GUIDE, VALVE.....	*3.7	4	12251-KBB-901	GASKET, CYLINDER HEAD	1
(INC. REAMING)		5	12271-383-000	RUBBER, OIL SEAL.....	1
(ADD 0.3 FOR EACH.)		6	12331-KW8-920	COVER, L. CYLINDER HEAD	1
(EXC. VALVE REFACING)		7	12339-383-000	PACKING, CONTACT BREAKER BASE	1
(ADD MORE 0.2 IF PERFORMED.)		*	12339-KBB-305	PACKING, CONTACT BREAKER BASE	1
HEAD ASSY., CYLINDER.....	*3.9	*	12339-KT0-710	PACKING, CONTACT BREAKER BASE	1
		*	12339-KT0-711	PACKING, CONTACT BREAKER BASE	1
		8	12361-KY0-890	CAP, TAPPET ADJUSTING HOLE	2
		*	12361-KPS-900	CAP, TAPPET ADJUSTING HOLE	2
		9	16210-KBB-900	INSULATOR, CARBURETOR.....	1
		10	16223-KBB-900	BAND, INSULATOR.....	1
		*	16223-KPS-900	BAND, INSULATOR.....	1
		11	32921-437-000	CLIP, HIGH TENSION CORD.....	1
		12	90003-KN8-730	BOLT, SOCKET, 6X20	2
		13	90004-GHB-700	BOLT, FLANGE, 6X35(NSHF).....	4
		14	90041-KBB-900	BOLT, STUD, 7X29.....	2
		*	90041-KGA-K60	BOLT, STUD, 7X29.....	2
		15	90081-KBB-900	BOLT, SOCKET, 6X117	1
		16	90442-028-000	WASHER, SEALING, 8MM	4
		*	90442-KPS-900	WASHER, SEALING, 8MM	4
		17	90443-107-000	NUT, CAP, 8MM.....	4
		*	90443-KBB-950	NUT, CAP, 8MM.....	4
		*	90443-KPS-900	NUT, CAP, 8MM.....	4

Elément d'entretien	T.D.R.	No. de réf.	N° de pièce	Description	Q'té néc. XL200	N° de série	Codigo de Area
BOUGE D'ALLUMAGE	0.1	1	12000-KBW-940	ENS. CULASSE.....	1		
CACHE DE CULASSE G.....	0.2	*	12000-KBW-941	ENS. CULASSE.....	1		
ISOLANT DE CARBURATEUR.....	0.3	2	12204-KW1-305	GUIDE DE SOUPAPE D'ADMISSION.....	1		
JOINT DE CULASSE.....	*2.7	3	12206-KW1-315	GUIDE DE SOUPAPE D'ECHAPPEMENT	1		
GUIDE DE SOUPAPE	*3.7	4	12251-KBB-901	JOINT DE CULASSE.....	1		
(ALESAGE COMPRIS)		5	12271-383-000	CAOUTCHOUC DE JOINT D'ETANCHEITE D'HUILE	1		
(AJOUTER 0.3 POUR CHAQUE.)		6	12331-KW8-920	CACHE DE CULASSE G	1		
(RODAGE DE SOUPAPE NON COMPRIS.)		7	12339-383-000	JOINT DE BASE DE CONTACTS RUPTEUR	1		
(AJOUTER 0,2 SI EFFECTUE.)		*	12339-KBB-305	JOINT DE BASE DE CONTACTS RUPTEUR	1		
ENS. CULASSE.....	*3.9	*	12339-KT0-710	JOINT DE BASE DE CONTACTS RUPTEUR	1		
		*	12339-KT0-711	JOINT DE BASE DE CONTACTS RUPTEUR	1		
		8	12361-KY0-890	CHAPEAU DE TROU DE REGLAGE SOUPAPE.....	2		
		*	12361-KPS-900	CHAPEAU DE TROU DE REGLAGE SOUPAPE.....	2		
		9	16210-KBB-900	ISOLANT DE CARBURATEUR.....	1		
		10	16223-KBB-900	BANDE D'ISOLANT.....	1		
		*	16223-KPS-900	BANDE D'ISOLANT.....	1		
		11	32921-437-000	AGRAFE DE CABLE D'HAUTE TENSION.....	1		
		12	90003-KN8-730	BOULON DE DOUILLE, 6X20	2		
		13	90004-GHB-700	BOULON DE BRIDE, 6X35 (NSHF)	4		
		14	90041-KBB-900	GOUJON, 7X29	2		
		*	90041-KGA-K60	GOUJON, 7X29	2		
		15	90081-KBB-900	BOULON DE DOUILLE, 6X117	1		
		16	90442-028-000	ARANDELA DE SELLADO, 8MM.....	4		
		*	90442-KPS-900	RONDELLE ETANCHEITE, 8MM	4		
		17	90443-107-000	ECROU DE CHAPEAU, 8MM	4		
		*	90443-KBB-950	ECROU DE CHAPEAU, 8MM.....	4		
		*	90443-KPS-900	ECROU DE CHAPEAU, 8MM.....	4		
Artículo de servicio	THLL	N° de ref.	No. de pieza	Descripción	Cant. Requerida XL200	No. de série	Code de Zone
BUJIA.....	0.1	1	12000-KBW-940	ENS. DE CULATA DE CILINDRO	1		
TAPA, CULATA IZO	0.2	*	12000-KBW-941	ENS. DE CULATA DE CILINDRO	1		
AISLADOR, CARBURADOR	0.3	2	12204-KW1-305	GUIA, VALVULA DE ADMISION	1		
EMPACADURA, CULATA DE CILINDRO	*2.7	3	12206-KW1-315	GUIA, VALVULA DE ESCAPE	1		
GUIA, VÁLVULA	*3.7	4	12251-KBB-901	EMPACADURA, CULATA DE CILINDRO	1		
(ESCARIFICACION INCLUIDA.)		5	12271-383-000	GOMA, SELLO DE ACEITE	1		
(AGREGUE 0.3 DE CADA.)		6	12331-KW8-920	TAPA, CULATA IZO.....	1		
(NO SE INCLUYE REFAZ DE VÁLVULA.)		7	12339-383-000	EMPAQUE, BASE DE INTERRUPTOR DE CONTACTO	1		
(AGREGUE 0.2 SI EFECTUADO.)		*	12339-KBB-305	EMPAQUE, BASE DE INTERRUPTOR DE CONTACTO	1		
ENS. DE CULATA DE CILINDRO.....	*3.9	*	12339-KT0-710	EMPAQUE, BASE DE INTERRUPTOR DE CONTACTO	1		
		*	12339-KT0-711	EMPAQUE, BASE DE INTERRUPTOR DE CONTACTO	1		
		8	12361-KY0-890	TAPA, AGUJERO DE AJUSTE DE VALVULA	2		
		*	12361-KPS-900	TAPA, AGUJERO DE AJUSTE DE VALVULA	2		
		9	16210-KBB-900	AISLADOR, CARBURADOR	1		
		10	16223-KBB-900	BANDA, AISLADOR	1		
		*	16223-KPS-900	BANDA, AISLADOR	1		
		11	32921-437-000	GRAPA, CUERDA DE ALTA TENSION	1		
		12	90003-KN8-730	PERNO, CASQUILLO, 6X20	2		
		13	90004-GHB-700	PERNO DE REBORDE, 6X35(NSHF)	4		
		14	90041-KBB-900	PERNO PRISIONERO, 7X29.....	2		
		*	90041-KGA-K60	PERNO PRISIONERO, 7X29.....	2		
		15	90081-KBB-900	PERNO, CASQUILLO, 6X117.....	1		
		16	90442-028-000	ARANDELA DE SELLADO, 8MM.....	4		
		*	90442-KPS-900	ARANDELA DE SELLADO, 8MM.....	4		
		17	90443-107-000	TUERCA, TAPA, 8MM.....	4		
		*	90443-KBB-950	TUERCA, TAPA, 8MM.....	4		
		*	90443-KPS-900	TUERCA, TAPA, 8MM.....	4		



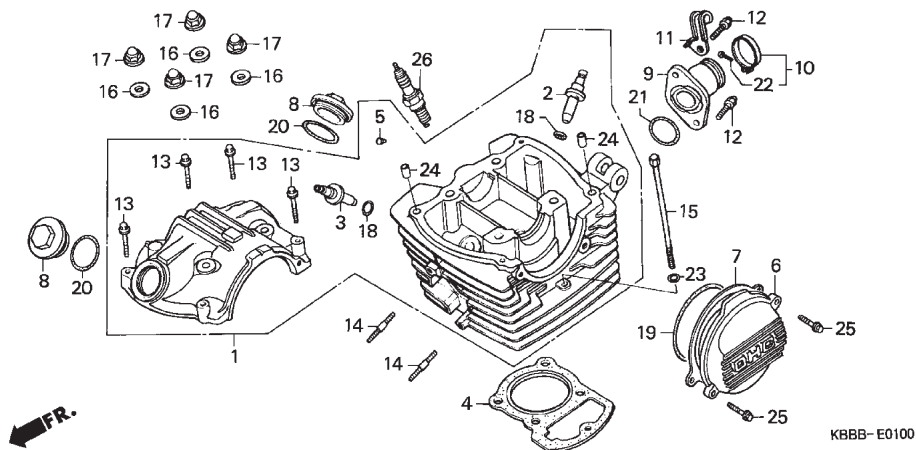
Back
Retour
Volver

E-1

Cylinder Head Cover
• **Cylinder Head**

Couvercle de Culasse • Culasse

Cubierta Culata Cilindro
• **Culata de Cilindro**



2



Back
Retour
Volver

Service Item	F.R.T	Ref. N°	Part No.	Description	Qty. XL200	Serial No.	Note
		18	91301-KW1-900	O-RING, 10.5X1.5.....	2
		19	91301-107-000	O-RING, 75X2.5.....	1
		20	91303-KK3-830	O-RING, 35X3 (ARAI).....	2
		*	91303-KPS-730	O-RING, 35X3 (ARAI).....	2
		21	91304-HB3-003	O-RING, 33.5 X 3.0.....	1
		*	91304-KRM-840	O-RING, 33.5 X 3.0.....	1
		22	93500-05025-0G	SCREW, PAN, 5X25.....	1
		23	94101-06000	WASHER, PLAIN, 6MM.....	1
		24	94301-08140	PIN, DOWEL, 8X14.....	2
		25	96001-06020-00	BOLT, FLANGE, 6X20.....	2
		26	98069-57911	PLUG, SPARK (DP7EA-9)(NGK).....	(1)
			98069-58911	PLUG, SPARK (DP8EA-9)(NGK).....	1

Elément d'entretien	T.D.R.	No. de réf.	N° de pièce	Description	Q'té néc. XL200	N° de série	Codigo de Area
		18	91301-KW1-900	JOINT TORIQUE, 10.5X1.5	2
		19	91301-107-000	JOINT TORIQUE, 75X2.5	1
		20	91303-KK3-830	JOINT TORIQUE, 35X3 (ARAI)	2
		*	91303-KPS-730	JOINT TORIQUE, 35X3 (ARAI)	2
		21	91304-HB3-003	JOINT TORIQUE, 33.5X3.0	1
		*	91304-KRM-840	JOINT TORIQUE, 33.5X3.0	1
		22	93500-05025-0G	VIS A TETE CYLINDRIQUE, 5X25	1
		23	94101-06000	RONDELLE PLATE, 6MM	1
		24	94301-08140	GOUJON D'ASSEMBLAGE, 8X14.....	2
		25	96001-06020-00	BOULON DE BRIDE, 6X20.....	2
		26	98069-57911	BOUGIE D'ALLUMAGE (DP7EA-9) (NGK)	(1)
			98069-58911	BOUGIE D'ALLUMAGE (DP8EA-9) (NGK)	1
Artículo de servicio	THLL	N° de ref.	No. de pieza	Descripción	Cant. Requerida XL200	No. de série	Code de Zone
		18	91301-KW1-900	ANILLO O, 10.5X1.5	2
		19	91301-107-000	ANILLO O, 75X2.5	1
		20	91303-KK3-830	ANILLO O, 35X3(ARAI).....	2
		*	91303-KPS-730	ANILLO O, 35X3(ARAI).....	2
		21	91304-HB3-003	ANILLO O, 33.5X3.0	1
		*	91304-KRM-840	ANILLO O, 33.5X3.0.....	1
		22	93500-05025-0G	TORNILLO ALOMADO, 5X25	1
		23	94101-06000	ARANDELA SENCILLA, 6MM	1
		24	94301-08140	ESPIGA, DOWEL, 8X14.....	2
		25	96001-06020-00	PERNO DE REBORDE, 6X20	2
		26	98069-57911	BUJIA (DP7EA-9)(NGK).....	(1)
			98069-58911	BUJIA (DP8EA-9)(NGK).....	1



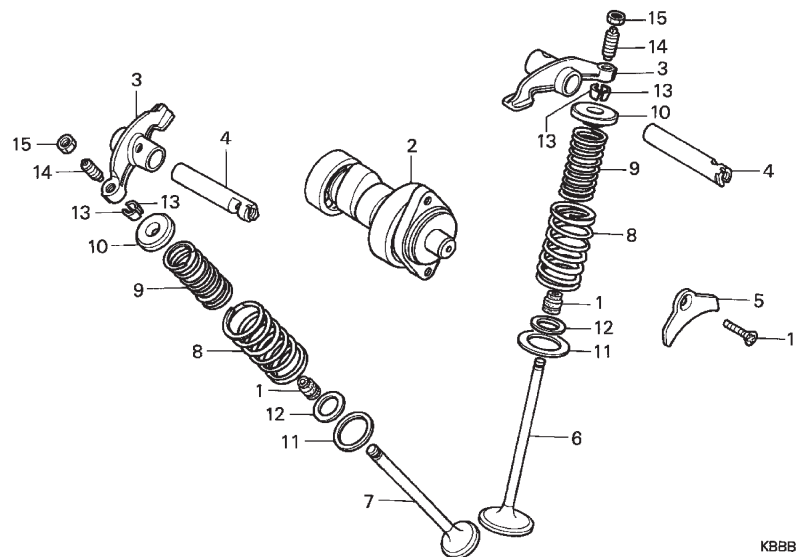
Back
Retour
Volver

E-2

Camshaft • Valve

Arbre a Cames • Soupape

Arbol de Levas • Valvula



KBBB-E0200



2



Back
Retour
Volver

Service Item	F.R.T	Ref. N°	Part No.	Description	Qty. XL200	Serial No.	Note
CAMSHAFT COMP	0.9	1	12208-413-003	SEAL, VALVE STEM (ARAI)	2
ARM, VALVE ROCKER	*2.3	2	14100-KBB-900	CAMSHAFT COMP.	1
(ADD 0.1 FOR EACH.)		3	14431-383-000	ARM, VALVE ROCKER	2
(INC. RELATIVE PART)		*	14431-KPS-900	ARM, VALVE ROCKER	2
SPRING, VALVE	*3.3	4	14451-437-000	SHAFT, VALVE ROCKER ARM	2
(ADD 0.1 FOR EACH.)		5	14456-383-000	PLATE, VALVE ROCKER ARM SHAFT SETTING	1
(INC. RELATIVE PART)		6	14711-KBB-900	VALVE, IN.	1
VALVE	*3.5	7	14721-KBB-900	VALVE, EX.	1
(ADD 0.2 FOR EACH.)		8	14751-383-005	SPRING, VALVE OUTER (NIPPON HATSUJO)	2
(INC. REFACING)		9	14761-383-005	SPRING, VALVE INNER (NIPPON HATSUJO)	2
(EXC. VALVE GUIDE REPLACEMENT)		10	14771-107-020	RETAINER, VALVE SPRING	2
		11	14775-107-000	SEAT, VALVE SPRING OUTER	2
		12	14776-107-010	SEAT, VALVE SPRING INNER	2
		13	14781-MB4-000	COTTER, VALVE	4
		*	14781-HA0-770	COTTER, VALVE	4
		14	90012-KN6-930	SCREW, TAPPET ADJUSTING	2
		15	90206-250-000	NUT, TAPPET ADJUSTING	2
		16	93600-06016-0A	SCREW, FLAT, 6X16	1

Elément d'entretien	T.D.R.	No. de réf.	N° de pièce	Description	Q'té néc. XL200	N° de série	Codigo de Area
ARBRE A CAMES COMP	0.9	1	12208-413-003	JOINT D'ETANCHEITE DE TIGE DE SOUPAPE (ARAI)	2
CULBUTEUR.....	*2.3	2	14100-KBB-900	ARBRE A CAMES COMP.	1
(AJOUTER 0.1 POUR CHAQUE.)		3	14431-383-000	CULBUTEUR	2
(PIECES RELATIVES Y COMPRIS)		*	14431-KPS-900	CULBUTEUR	2
RESSORT DE SOUPAPE	*3.3	4	14451-437-000	ARBRE DE CULBUTERIE	2
(AJOUTER 0.1 POUR CHAQUE.)		5	14456-383-000	PLAQUE DE SERRAGE D'ARBRE DE CULBUTEUR	1
(PIECES RELATIVES Y COMPRIS)		6	14711-KBB-900	SOUPAPE D'ADMISSION	1
SOUPAPE	*3.5	7	14721-KBB-900	SOUPAPE ECHAPPEMENT.....	1
(AJOUTER 0.2 POUR CHAQUE.)		8	14751-383-005	RESSORT EXTERIEUR DE SOUPAPE (NIPPON HATSUJO)	2
(LE RODAGE DE SIEGE DE SOUPAPE		9	14761-383-005	RESSORT INTERIEUR DE SOUPAPE (NIPPON HATSUJO)	2
EST COMPRIS.)		10	14771-107-020	ROCHET, RESSORT SOUPAPE	2
(REMPACEMENT DU GUIDE DE		11	14775-107-000	SIEGE EXTERIOR DE RESSORT SOUPAPE.....	2
SOUPAPE NON COMPRIS.)		12	14776-107-010	SIEGE INTERIEUR DE RESSORT SOUPAPE.....	2
		13	14781-MB4-000	CLAVETTE DE SOUPAPE	4
		*	14781-HA0-770	CLAVETTE DE SOUPAPE	4
		14	90012-KN6-930	VIS DE REGLAGE DE SOUPAPE	2
		15	90206-250-000	ECROU DE REGLAGE DE SOUPAPE.....	2
		16	93600-06016-0A	VISA TETE PLATE, 6X16	1

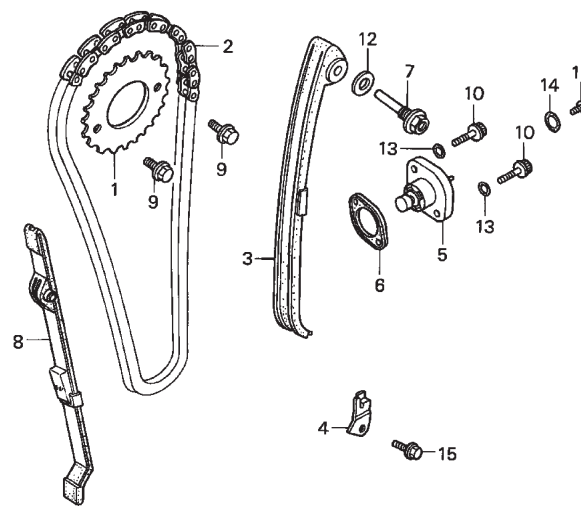
Artículo de servicio	THLL	N° de ref.	No. de pieza	Descripción	Cant. Requerida XL200	No. de série	Code de Zone
COMP. DE ARBOL DE LEVAS	0.9	1	12208-413-003	SELLO, VASTAGO DE VÁLVULA (ARAI)	2
BALANCIN DE VÁLVULA	*2.3	2	14100-KBB-900	COMP. DE ARBOL DE LEVAS	1
(AGREGUE 0.1 DE CADA.)		3	14431-383-000	BALANCIN DE VÁLVULA	2
(INCLUSIVE PIEZAS RELACIONADAS)		*	14431-KPS-900	BALANCIN DE VÁLVULA	2
RESORTE, VÁLVULA	*3.3	4	14451-437-000	EJE, BALANCIN DE VÁLVULA	2
(AGREGUE 0.1 DE CADA.)		5	14456-383-000	PLACA DE SUJECION, EJE DE BALANCIN	1
(INCLUSIVE PIEZAS RELACIONADAS)		6	14711-KBB-900	VÁLVULA, ADMISION	1
VÁLVULA	*3.5	7	14721-KBB-900	VÁLVULA DE ESCAPE	1
(AGREGUE 0.2 DE CADA.)		8	14751-383-005	RESORTE, EXTERIOR DE VÁLVULA (NIPPON HATSUJO)	2
(SE INCLUYE REFAZ DE ASIENTO DE VÁLVULA.)		9	14761-383-005	RESORTE, INTERIOR DE VÁLVULA (NIPPON HATSUJO)	2
(NO SE INCLUYE EL		10	14771-107-020	RETEN FIJO, RESORTE DE VÁLVULA	2
CAMBIO DE GUIA DE VALVULA.)		11	14775-107-000	ASIENTO EXTERIOR, RESORTE DE VÁLVULA	2
		12	14776-107-010	ASIENTO INTERIOR, RESORTE DE VÁLVULA	2
		13	14781-MB4-000	PASADOR DE VÁLVULA	4
		*	14781-HA0-770	PASADOR DE VÁLVULA	4
		14	90012-KN6-930	TORNILLO, AJUSTE DE VÁLVULA	2
		15	90206-250-000	TUERCA, AJUSTE DE VÁLVULA	2
		16	93600-06016-0A	TORNILLO DE PLANO, 6X16	1

E-3

Cam Chain • Tensioner

Chaîne a Cames • Tendeur

Cadena de Leva • Tensionador



KBBB-E0300

Service Item	F.R.T	Ref. N°	Part No.	Description	Qty. XL200	Serial No.	Note
LIFTER ASSY., TENSIONER	0.4	1	14321-KN6-930	SPROCKET, CAM (34T)	1
SPROCKET, CAM	0.7	2	14401-KBB-901	CHAIN, CAM (102L)	1
CHAIN, CAM	1.6	3	14500-KBB-900	TENSIONER, CAM CHAIN	1
TENSIONER, CAM CHAIN	1.7	4	14513-KBB-900	PLATE, CAM CHAIN SETTING	1
GUIDE, CAM CHAIN	*2.7	5	14520-KCT-691	LIFTER ASSY., TENSIONER	1
		*	14520-KCT-692	LIFTER ASSY., TENSIONER	1
		*	14520-KCJ-661	LIFTER ASSY., TENSIONER	1
		6	14523-KBB-901	GASKET, TENSIONER LIFTER	1
		7	14535-437-000	BOLT, CAM CHAIN TENSIONER PIVOT	1
		8	14550-KCJ-710	GUIDE, CAM CHAIN	1
		9	90002-KW1-900	BOLT, FLANGE, 6X10	2
		10	90005-KY7-000	SCREW, PAN, 6X6	1
		*	90005-KRM-840	SCREW, PAN, 6X6	1
		*	90005-KY7-000	SCREW, PAN, 6X6	1
		11	90071-MG8-000	BOLT, FLANGE SOCKET, 6X16	2
		12	90475-703-000	WASHER C, 8MM	1
		*	90475-KPF-960	WASHER C, 8MM	1
		13	90488-425-000	WASHER, SEALING, 6MM	2
		14	91306-105-690	O-RING, 1.5X9.5	1
		*	91306-KRM-840	O-RING, 1.5X9.5	1
		15	95701-06012-00	BOLT, FLANGE, 6X12	1

2

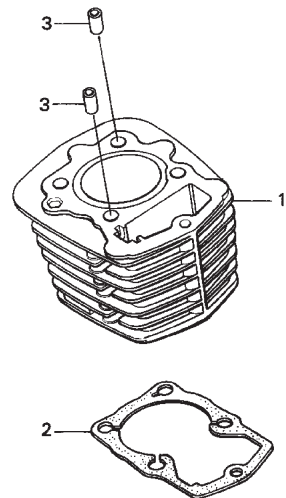


Back
Retour
Volver

Elément d'entretien	T.D.R.	No. de réf.	N° de pièce	Description	Q'té néc. XL200	N° de série	Codigo de Area
ENS. POUSSOIR DE TENDER.....0.4		1	14321-KN6-930	PIGNON DE CAMES (34T)	1
PIGNON DE CAMES.....0.7		2	14401-KBB-901	CHAINE DE CAMES (102L)	1
CHAINE DE CAMES1.6		3	14500-KBB-900	TENDEUR DE CHAINE DE CAMES.....	1
TENDEUR DE CHAINE DE CAMES.....1.7		4	14513-KBB-900	PLAQUE DE FIXATION DE CHAINE CAMES	1
GUIDE DE CHAINE DE CAMES*2.7		5	14520-KCT-691	ENS. POUSSOIR DE TENDEUR	1
		*	14520-KCT-692	ENS. POUSSOIR DE TENDEUR	1
		*	14520-KCJ-661	ENS. POUSSOIR DE TENDEUR	1
		6	14523-KBB-901	JOINT, POUSSOIR DE TENDEUR.....	1
		7	14535-437-000	BOULON DE PIVOT DE TENDEUR CHAINE DE CAMES.....	1
		8	14550-KCJ-710	GUIDE DE CHAINE DE CAMES	1
		9	90002-KW1-900	BOULON DE BRIDE, 6X10.....	2
		10	90005-KY7-000	VISA TETE CYLINDRIQUE, 6X6	1
		*	90005-KRM-840	VISA TETE CYLINDRIQUE, 6X6	1
		*	90005-KY7-000	VISA TETE CYLINDRIQUE, 6X6	1
		11	90071-MG8-000	BOULON DE DOUILLE DE BRIDE, 6X16.....	2
		12	90475-703-000	RONDELLE C, 8MM.....	1
		*	90475-KPF-960	RONDELLE C, 8MM.....	1
		13	90488-425-000	RONDELLE ETANCHEITE, 6MM	2
		14	91306-105-690	JOINT TORIQUE, 1.5X9.5	1
		*	91306-KRM-840	JOINT TORIQUE, 1.5X9.5	1
		15	95701-06012-00	BOULON DE BRIDE, 6X12.....	1
Artículo de servicio	THLL	N° de ref.	No. de pieza	Descripción	Cant. Requerida XL200	No. de série	Code de Zone
ENS. DE LEVANTA, TENSIONADOR.....0.4		1	14321-KN6-930	PINON DENTADO, LEVA (34T)	1
PINON DENTADO, LEVA.....0.7		2	14401-KBB-901	CADENA DE LEVAS (102L)	1
CADENA DE LEVAS1.6		3	14500-KBB-900	TENSIONADOR, CADENA DE LEVAS.....	1
TENSIONADOR, CADENA DE LEVAS.....1.7		4	14513-KBB-900	PLACA, FIJACION DE CADENA DE LEVAS	1
GUIA, CADENA DE LEVA*2.7		5	14520-KCT-691	ENS. DE LEVANTA, TENSIONADOR	1
		*	14520-KCT-692	ENS. DE LEVANTA, TENSIONADOR	1
		*	14520-KCJ-661	ENS. DE LEVANTA, TENSIONADOR	1
		6	14523-KBB-901	EMPAQUETADURA, ELEVADOR TENSOR	1
		7	14535-437-000	PERNO, PIVOTE DEL TENSIONADOR DE CADENA DE LEVA ...	1
		8	14550-KCJ-710	GUIA, CADENA DE LEVA	1
		9	90002-KW1-900	PERNO DE REBORDE, 6X10	2
		10	90005-KY7-000	TORNILLO ALOMADO, 6X6	1
		*	90005-KRM-840	TORNILLO ALOMADO, 6X6	1
		*	90005-KY7-000	TORNILLO ALOMADO, 6X6	1
		11	90071-MG8-000	PERNO, CASQUILLO DE REBORDE, 6X16	2
		12	90475-703-000	ARANDELA C, 8MM	1
		*	90475-KPF-960	ARANDELA C, 8MM	1
		13	90488-425-000	ARANDELA DE SELLADO, 6MM.....	2
		14	91306-105-690	ANILLO O, 1.5X9.5.....	1
		*	91306-KRM-840	ANILLO O, 1.5X9.5.....	1
		15	95701-06012-00	PERNO DE REBORDE, 6X12	1

E-4

Cylinder
Cylindre
Cilindro



KBBB-E0400

2



Back
 Retour
 Volver

Service Item	F.R.T	Ref. N°	Part No.	Description	Qty. XL200	Serial No.	Note
GASKET, CYLINDER.....	*2.9	1	12100-KBB-900	CYLINDER COMP.	1
CYLINDER COMP.....	*3.1	2	12191-KW1-900	GASKET, CYLINDER.....	1
		*	12191-KBB-305	GASKET, CYLINDER.....	1
		*	12191-KCN-000	GASKET, CYLINDER.....	1
		3	94301-10200	PIN A, DOWEL, 10X20	2
		*	90704-KPS-900	PIN A, DOWEL, 10X20	2

Elément d'entretien	T.D.R.	No. de réf.	N° de pièce	Description	Q'té néc. XL200	N° de série	Codigo de Area
JOINT DE CYLINDRE	*2.9	1	12100-KBB-900	CYLINDRE COMP.	1
CYLINDRE COMP.....	*3.1	2	12191-KW1-900	JOINT DE CYLINDRE	1
		*	12191-KBB-305	JOINT DE CYLINDRE	1
		*	12191-KCN-000	JOINT DE CYLINDRE	1
		3	94301-10200	GOUJON D'ASSEMBLAGE A, 10X20	2
		*	90704-KPS-900	GOUJON D'ASSEMBLAGE A, 10X20	2

Artículo de servicio	THLL	N° de ref.	No. de pieza	Descripción	Cant. Requerida XL200	No. de série	Code de Zone
EMPACADURA, CILINDRO	*2.9	1	12100-KBB-900	COMP. DE CILINDRO	1
COMP. DE CILINDRO	*3.1	2	12191-KW1-900	EMPACADURA, CILINDRO	1
		*	12191-KBB-305	EMPACADURA, CILINDRO	1
		*	12191-KCN-000	EMPACADURA, CILINDRO	1
		3	94301-10200	ESPIGA A, DOWEL, 10X20	2
		*	90704-KPS-900	ESPIGA A, DOWEL, 10X20	2

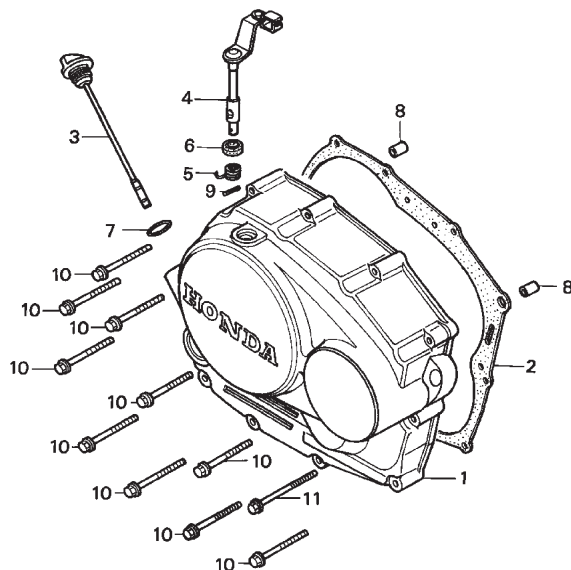
2



Back
Retour
Volver

E-5

Right Crankcase Cover Panneu Carter-Moteur D. Cubierta de Carter Der.



KBBB-E0500



2



Back
Retour
Volver

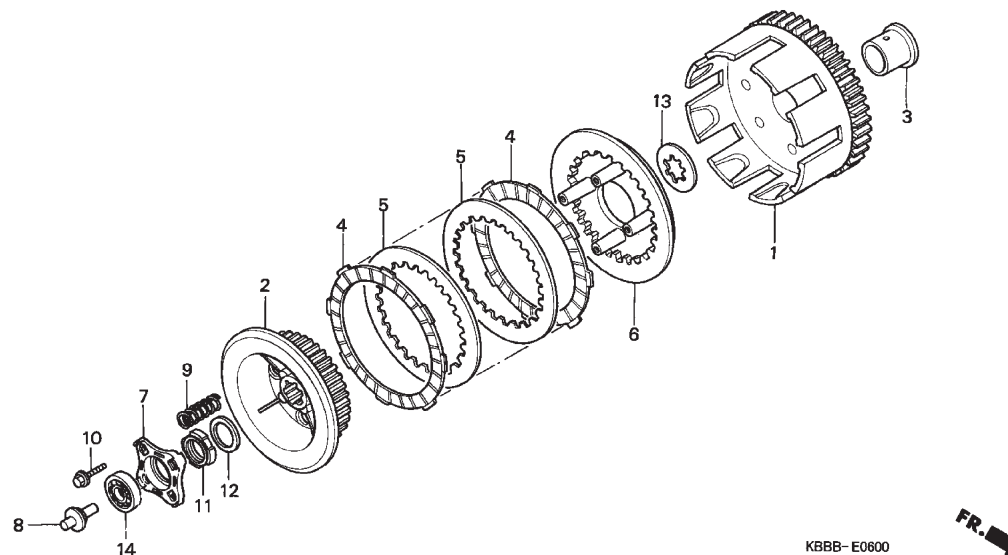
Service Item	F.R.T	Ref. N°	Part No.	Description	Qty. XL200	Serial No.	Note
GASKET, R. COVER.....	0.7	1	11330-KBB-900	COVER COMP., R. CRANKCASE	1
COVER COMP., R. CRANKCASE	0.9	2	11393-KBB-900	GASKET, R. COVER.....	1
• LEVER COMP., CLUTCH (INC. RELATIVE PART)		*	11393-KBB-305	GASKET, R. COVER.....	1
		*	11393-KBB-870	GASKET, R. COVER.....	1
		*	11393-KBB-871	GASKET, R. COVER.....	1
		3	15650-KBW-940	GAUGE, OIL LEVEL.....	1
		4	22810-KBB-900	LEVER COMP., CLUTCH.....	1
		5	22815-428-000	SPRING, CLUTCH LEVER.....	1
		*	22815-KPS-900	SPRING, CLUTCH LEVER.....	1
		6	91201-148-003	OIL SEAL, 12X22X5 (ARAI).....	1
		7	91307-035-000	O-RING, 18X3.....	1
		*	91307-KRM-840	O-RING, 18X3.....	1
		8	94301-08140	PIN, DOWEL, 8X14.....	2
		9	94305-30102	PIN, SPRING, 3X10.....	1
		10	96001-06040-00	BOLT, FLANGE, 6X40.....	10
		*	90040-GHR-760	BOLT, FLANGE, 6X40.....	10
		11	96001-06050-00	BOLT, FLANGE, 6X50.....	1
		*	90040-GHR-780	BOLT, FLANGE, 6X50.....	1

Elément d'entretien	T.D.R.	No. de réf.	N° de pièce	Description	Q'té néc. XL200	N° de série	Codigo de Area
JOINT DE COUVERCLE D.0.7		1	11330-KBB-900	COUVERCLE COMP. CARTER MOTEUR D.	1		
COUVERCLE COMP. CARTER MOTEUR D.0.9		2	11393-KBB-900	JOINT DE COUVERCLE D.	1		
• LEVIER COMP. D' EMBRAYAGE (PIECES RELATIVES Y COMPRISES)		*	11393-KBB-305	JOINT DE COUVERCLE D.	1		
		*	11393-KBB-870	JOINT DE COUVERCLE D.	1		
		*	11393-KBB-871	JOINT DE COUVERCLE D.	1		
		3	15650-KBW-940	JAUGE DE NIVEAU D'HUILE	1		
		4	22810-KBB-900	LEVIER COMP. D'EMBRAYAGE	1		
		5	22815-428-000	RESSORT DE LEVIER D'EMBRAYAGE	1		
		*	22815-KPS-900	RESSORT DE LEVIER D'EMBRAYAGE	1		
		6	91201-148-003	JOINT D'ETANCHEITE D'HUILE, 12X22X5 (ARAI)	1		
		7	91307-035-000	JOINT TORIQUE, 18X3	1		
		*	91307-KRM-840	JOINT TORIQUE, 18X3	1		
		8	94301-08140	GOUJON D'ASSEMBLAGE, 8X14	2		
		9	94305-30102	GOUPILLE DE RESSORT, 3X10	1		
		10	96001-06040-00	BOULON DE BRIDE, 6X40	10		
		*	90040-GHR-760	BOULON DE BRIDE, 6X40	10		
	11	96001-06050-00	BOULON DE BRIDE, 6X50	1			
	*	90040-GHR-780	BOULON DE BRIDE, 6X50	1			
Artículo de servicio	THLL	N° de ref.	No. de pieza	Descripción	Cant. Requerida XL200	No. de série	Code de Zone
EMPACADURA, CUBIERTA DER.0.7		1	11330-KBB-900	COMP. DE CUBIERTA, CARTER DER.	1		
COMP. DE CUBIERTA, CARTER DER.0.9		2	11393-KBB-900	EMPACADURA, CUBIERTA DER.	1		
• COMP DE PALANCA, EMBRAGUE (INCLUSIVE PIEZAS RELACIONADAS)		*	11393-KBB-305	EMPACADURA, CUBIERTA DER.	1		
		*	11393-KBB-870	EMPACADURA, CUBIERTA DER.	1		
		*	11393-KBB-871	EMPACADURA, CUBIERTA DER.	1		
		3	15650-KBW-940	INDICADOR, NIVEL DE ACEITE	1		
		4	22810-KBB-900	COMP. DE PALANCA, EMBRAGUE	1		
		5	22815-428-000	RESORTE, PALANCA DE EMBRAGUE	1		
		*	22815-KPS-900	RESORTE, PALANCA DE EMBRAGUE	1		
		6	91201-148-003	SELLO DE ACEITE, 12X22X5 (ARAI)	1		
		7	91307-035-000	ANILLO O, 18X3	1		
		*	91307-KRM-840	ANILLO O, 18X3	1		
		8	94301-08140	ESPIGA, DOWEL, 8X14	2		
		9	94305-30102	ESPIGA, RESORTE, 3X10	1		
		10	96001-06040-00	PERNO DE REBORDE, 6X40	10		
		*	90040-GHR-760	PERNO DE REBORDE, 6X40	10		
	11	96001-06050-00	PERNO DE REBORDE, 6X50	1			
	*	90040-GHR-780	PERNO DE REBORDE, 6X50	1			



E-6

Clutch Embrayage Embrague



KBBB-E0600



2



Back
Retour
Volver

Service Item	F.R.T	Ref. N°	Part No.	Description	Qty. XL200	Serial No.	Note
ROD, CLUTCH LIFTER	0.7	1	22100-KBB-900	OUTER COMP., CLUTCH	1
PLATE, CLUTCH LIFTER	0.8	2	22121-KBW-900	CENTER COMP., CLUTCH	1
• SPRING, CLUTCH (SAME TIME FOR TWO UNITS OR MORE)		3	22131-KW1-900	GUIDE, CLUTCH OUTER	1
		4	22201-MR8-000	DISK, CLUTCH FRICTION	5
		5	22311-KN4-680	PLATE, CLUTCH	4
CENTER COMP., CLUTCH	1.1	6	22350-107-010	PLATE, CLUTCH PRESSURE	1
• DISK, CLUTCH FRICTION (INC. RELATIVE PART)		7	22361-437-000	PLATE, CLUTCH LIFTER	1
(SAME TIME FOR TWO UNITS OR MORE)		8	22366-437-000	ROD, CLUTCH LIFTER	1
		9	22401-KT0-000	SPRING, CLUTCH	4
• OUTER COMP., CLUTCH		10	90050-357-000	BOLT, SPECIAL FLANGE, 6X22	4
• PLATE, CLUTCH PRESSURE		11	90231-KB5-720	NUT, LOCK, 16MM	1
		12	90434-KN6-930	WASHER, 16MM	1
		13	90461-107-000	WASHER B, SPLINE, 20MM	1
		14	91008-KK6-000	BEARING, RADIAL BALL, 16003	1
			91008-KPS-900	BEARING, RADIAL BALL, 16003	1

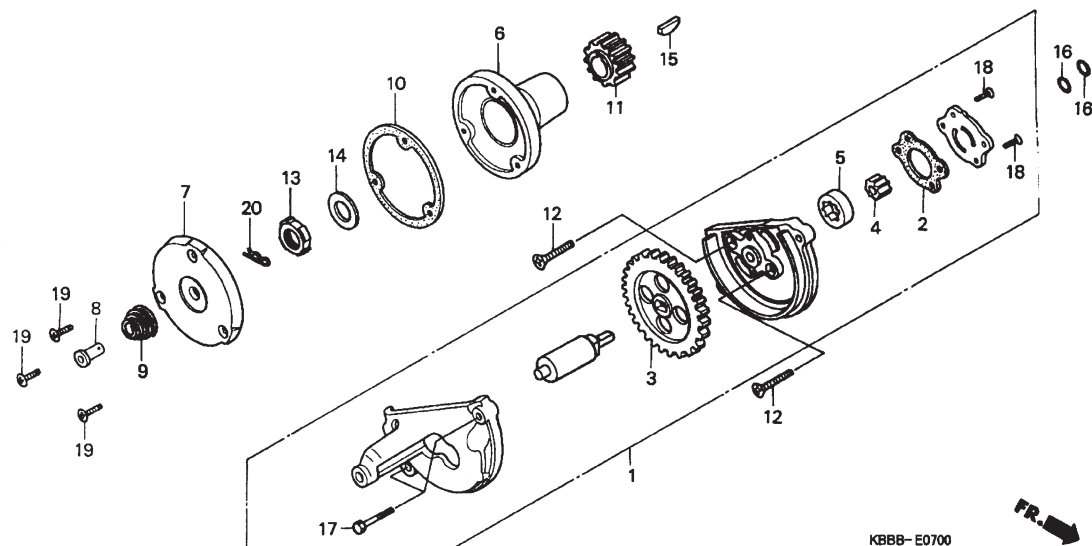
Elément d'entretien	T.D.R.	No. de réf.	N° de pièce	Description	Q'té néc. XL200	N° de série	Codigo de Area
TIGE DE COMMANDE D' EMBRAYAGE.....	0.7	1	22100-KBB-900	VOLANT COMP. EMBRAYAGE.....	1
PLATEAU DE COMMANDE		2	22121-KBW-900	CENTRAGE COMP. D'EMBRAYAGE.....	1
D'EMBRAYAGE.....	0.8	3	22131-KW1-900	GUIDE DE VOLANT EMBRAYAGE.....	1
• RESSORT D' EMBRAYAGE		4	22201-MR8-000	DISQUE DE FRICTION D'EMBRAYAGE.....	5
(MEME TEMPS POUR DEUX UNITS OU PLUS)		5	22311-KN4-680	PLAQUE D'EMBRAYAGE.....	4
CENTRAGE COMP. D' EMBRAYAGE.....	1.1	6	22350-107-010	DISQUE DE PRESSION D'EMBRAYAGE.....	1
• DISQUE DE FRICTION D' EMBRAYAGE		7	22361-437-000	PLATEAU DE COMMANDE D'EMBRAYAGE.....	1
(PIECES RELATIVES Y COMPRISES)		8	22366-437-000	TIGE DE COMMANDE D'EMBRAYAGE.....	1
(MEME TEMPS POUR DEUX UNITS OU PLUS)		9	22401-KT0-000	RESSORT D'EMBRAYAGE.....	4
• VOLANT COMP. EMBRAYAGE		10	90050-357-000	BOULON DE BRIDE SPECIAL, 6X22.....	4
• DISQUE DE PRESSION D' EMBRAYAGE		11	90231-KB5-720	ECROU BLOCAGE, 16MM.....	1
		12	90434-KN6-930	RONDELLE, 16MM.....	1
		13	90461-107-000	RONDELLE B CANNELEE, 20MM.....	1
		14	91008-KK6-000	ROULEMENT A BILLES RADIAL, 16003.....	1
			91008-KPS-900	ROULEMENT A BILLES RADIAL, 16003.....	1
Artículo de servicio	THLL	N° de ref.	No. de pieza	Descripción	Cant. Requerida XL200	No. de série	Code de Zone
VARILLA, LEVANTA-EMBRAGUE.....	0.7	1	22100-KBB-900	COMP. DE EXTERIOR DE EMBRAGUE.....	1
PLACA, LEVANTA-EMBRAGUE.....	0.8	2	22121-KBW-900	COMP. DE CENTRO, EMBRAGUE.....	1
• RESORTE DE EMBRAGUE		3	22131-KW1-900	GUIA, EXTERIOR DE EMBRAGUE.....	1
(EL MISMO TIEMPO PARA DOS UNIDADES O MAS)		4	22201-MR8-000	DISCO DE FRICCION, EMBRAGUE.....	5
COMP. DE CENTRO, EMBRAGUE.....	1.1	5	22311-KN4-680	PLACA, EMBRAGUE.....	4
• DISCO DE FRICCION, EMBRAGUE		6	22350-107-010	PLACA DE PRESION, EMBRAGUE.....	1
(INCLUSIVE PIEZAS RELACIONADAS)		7	22361-437-000	PLACA, LEVANTA-EMBRAGUE.....	1
(EL MISMO TIEMPO PARA DOS UNIDADES O MAS)		8	22366-437-000	VARILLA, LEVANTA-EMBRAGUE.....	1
• COMP. DE EXTERIOR DE EMBRAGUE		9	22401-KT0-000	RESORTE DE EMBRAGUE.....	4
• PLACA DE PRESION, EMBRAGUE		10	90050-357-000	PERNO DE REBORDE, ESPECIAL, 6X22.....	4
		11	90231-KB5-720	TUERCA DE CIERRE, 16MM.....	1
		12	90434-KN6-930	ARANDELA, 16MM.....	1
		13	90461-107-000	ARANDELA B, LANGUETA, 20MM.....	1
		14	91008-KK6-000	COJINETE DE BOLAS RADIAL, 16003.....	1
			91008-KPS-900	COJINETE DE BOLAS RADIAL, 16003.....	1

E-7

Oil Pump

Pompe A Huile

Bomba de Aceite



KBBB-E0700



2



Back
Retour
Volver

Service Item	F.R.T	Ref. N°	Part No.	Description	Qty. XL200	Serial No.	Note
CAP, OIL FILTER ROTOR.....0.8		1	15100-KBB-900	PUMP ASSY., OIL	1
• GEAR, OIL PUMP DRIVE		2	15126-107-020	GASKET, OIL PUMP	1
PUMP ASSY., OIL.....0.9		3	15131-KBB-900	GEAR, OIL PUMP DRIVE (34T)	1
• ROTOR COMP., OIL FILTER		4	15331-399-000	ROTOR, OIL PUMP INNER (YAMADA)	1
GEAR, PRIMARY DRIVE.....1.1		*	15331-KPS-900	ROTOR, OIL PUMP INNER (YAMADA)	1
		5	15332-399-000	ROTOR, OIL PUMP OUTER (YAMADA)	1
		*	15332-KPS-900	ROTOR, OIL PUMP OUTER (YAMADA)	1
		6	15430-440-030	ROTOR COMP., OIL FILTER	1
		*	15430-KPS-900	ROTOR COMP., OIL FILTER	1
		7	15436-107-000	CAP, OIL FILTER ROTOR	1
		*	15436-KRM-840	CAP, OIL FILTER ROTOR	1
		8	15441-KCS-650	THROUGH, OIL	1
		*	15441-KPS-900	THROUGH, OIL	1
		9	15446-107-000	SPRING, OIL THROUGH	1
		*	15446-KPS-900	SPRING, OIL THROUGH	1
		10	15459-107-000	GASKET, OIL FILTER ROTOR CAP	1
		*	15459-KBB-305	GASKET, OIL FILTER ROTOR CAP	1
		*	15459-KT0-710	GASKET, OIL FILTER ROTOR CAP	1
		*	15459-KWK-900	GASKET, OIL FILTER ROTOR CAP	1
		11	23121-KBB-900	GEAR, PRIMARY DRIVE (22T).....	1
		12	90101-440-000	SCREW, FLAT, 6X30	2
		*	90213-KPS-900	SCREW, FLAT, 6X30	2
		13	90231-KK3-830	NUT, LOCK, 16MM	1
		*	90231-KPS-900	NUT, LOCK, 16MM	1
		14	90434-KN6-930	WASHER, 16MM	1
		15	90471-KW1-900	KEY, WOODRUFF, 25X14	1

Elément d'entretien	T.D.R.	No. de réf.	N° de pièce	Description	Q'té néc. XL200	N° de série	Codigo de Area
BOUCHON DE ROTOR DE FILTRE A HUILE0.8		1	15100-KBB-900	ENS. POMPE A HUILE	1		
• PIGNON DE COMMANDE DE POMPE A HUILE ..0.9		2	15126-107-020	JOINT DE POMPE A HUILE	1		
• ENS. POMPE A HUILE		3	15131-KBB-900	PIGNON DE COMANDE DE POMPE A HUILE (34T)	1		
• ROTOR COMP. FILTRE A HUILE		4	15331-399-000	ROTOR INTERIEUR DE POMPE A HUILE (YAMADA)	1		
PIGNON DE COMMANDE PRIMAIRE1.1		*	15331-KPS-900	ROTOR INTERIEUR DE POMPE A HUILE (YAMADA)	1		
		5	15332-399-000	ROTOR EXTERIEUR DE POMPE A HUILE (YAMADA)	1		
		*	15332-KPS-900	ROTOR EXTERIEUR DE POMPE A HUILE (YAMADA)	1		
		6	15430-440-030	ROTOR COMP. FILTRE A HUILE	1		
		*	15430-KPS-900	ROTOR COMP. FILTRE A HUILE	1		
		7	15436-107-000	BOUCHON DE ROTOR DE FILTRE A HUILE	1		
		*	15436-KRM-840	BOUCHON DE ROTOR DE FILTRE A HUILE	1		
		8	15441-KCS-650	PASSAGE HUILE	1		
		*	15441-KPS-900	PASSAGE HUILE	1		
		9	15446-107-000	RESSORT DE PASSAGE HUILE	1		
		*	15446-KPS-900	RESSORT DE PASSAGE HUILE	1		
		10	15459-107-000	JOINT DE BOUCHON DE ROTOR FILTRE A HUILE	1		
		*	15459-KBB-305	JOINT DE BOUCHON DE ROTOR FILTRE A HUILE	1		
		*	15459-KT0-710	JOINT DE BOUCHON DE ROTOR FILTRE A HUILE	1		
		*	15459-KWK-900	JOINT DE BOUCHON DE ROTOR FILTRE A HUILE	1		
		11	23121-KBB-900	PIGNON DE COMANDE PRIMAIRE (22T).....	1		
		12	90101-440-000	VIS A TETE PLATE, 6X30	2		
		*	90213-KPS-900	VIS A TETE PLATE, 6X30	2		
		13	90231-KK3-830	ECROU BLOCAGE, 16MM.....	1		
		*	90231-KPS-900	ECROU BLOCAGE, 16MM.....	1		
		14	90434-KN6-930	RONDELLE, 16MM	1		
		15	90471-KW1-900	CLAVETTE WOODRUFF,25X14	1		
Artículo de servicio	THLL	N° de ref.	No. de pieza	Descripción	Cant. Requerida XL200	No. de série	Code de Zone
TAPA, ROTOR DEL FILTRO DE ACEITE0.8		1	15100-KBB-900	BOMBA DE ACEITE	1		
• ENGRANAJE, MANDO DE BOMBA DE ACEITE		2	15126-107-020	EMPACADURA, BOMBA DE ACEITE	1		
BOMBA DE ACEITE0.9		3	15131-KBB-900	ENGRANAJE, MANDO DE BOMBA DE ACEITE (34T)	1		
• COMP. DE ROTOR, FILTRO DE ACEITE		4	15331-399-000	ROTOR INTERIOR, BOMBA DE ACEITE (YAMADA)	1		
ENGRANAJE, MANDO PRIMARIO1.1		*	15331-KPS-900	ROTOR INTERIOR, BOMBA DE ACEITE (YAMADA)	1		
		5	15332-399-000	ROTOR EXTERIOR, BOMBA DE ACEITE (YAMADA)	1		
		*	15332-KPS-900	ROTOR EXTERIOR, BOMBA DE ACEITE (YAMADA)	1		
		6	15430-440-030	COMP. DE ROTOR, FILTRO DE ACEITE	1		
		*	15430-KPS-900	COMP. DE ROTOR, FILTRO DE ACEITE	1		
		7	15436-107-000	TAPA, ROTOR DEL FILTRO DE ACEITE	1		
		*	15436-KRM-840	TAPA, ROTOR DEL FILTRO DE ACEITE	1		
		8	15441-KCS-650	CANAL DE ACEITE	1		
		*	15441-KPS-900	CANAL DE ACEITE	1		
		9	15446-107-000	RESSORT, CANAL DE ACEITE.....	1		
		*	15446-KPS-900	RESSORT, CANAL DE ACEITE.....	1		
		10	15459-107-000	EMPACADURA, TAPA DEL ROTOR DEL, FILTRO DE ACEITE ...	1		
		*	15459-KBB-305	EMPACADURA, TAPA DEL ROTOR DEL, FILTRO DE ACEITE ...	1		
		*	15459-KT0-710	EMPACADURA, TAPA DEL ROTOR DEL, FILTRO DE ACEITE ...	1		
		*	15459-KWK-900	EMPACADURA, TAPA DEL ROTOR DEL, FILTRO DE ACEITE ...	1		
		11	23121-KBB-900	ENGRANAJE, MANDO PRIMARIO (22T).....	1		
		12	90101-440-000	TORNILLO DE PLANO, 6X30	2		
		*	90213-KPS-900	TORNILLO DE PLANO, 6X30	2		
		13	90231-KK3-830	TUERCA DE CIERRE, 16MM	1		
		*	90231-KPS-900	TUERCA DE CIERRE, 16MM	1		
		14	90434-KN6-930	ARANDELA, 16MM	1		
		15	90471-KW1-900	CHAVETA, WOODRUFF, 25X14	1		



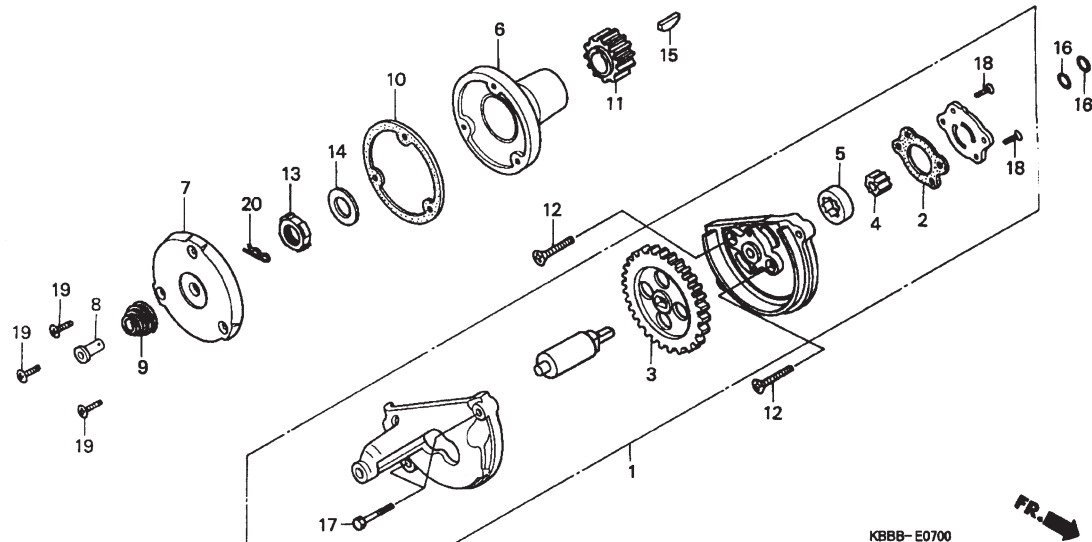
Back
Retour
Volver

E-7

Oil Pump

Pompe A Huile

Bomba de Aceite



2



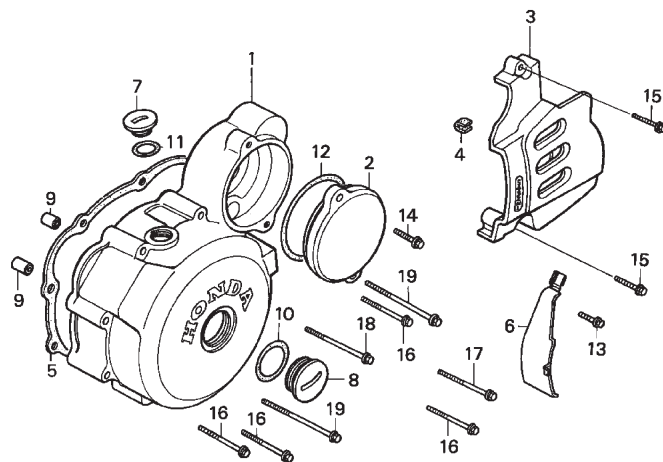
Back
Retour
Volver

Service Item	F.R.T	Ref. N°	Part No.	Description	Qty. XL200	Serial No.	Note
		16	91304-KK3-830	O-RING, 9.4X2.4	2
		*	91304-KPS-900	O-RING, 9.4X2.4	2
		17	92101-05020-0A	BOLT, HEX., 5X20	2
		18	93600-04012-0A	SCREW, FLAT, 4X12	2
		19	93700-05012-0A	SCREW, OVAL, 5X12	3
		*	90112-KPS-900	SCREW, OVAL, 5X12	3
		20	94251-08000	PIN, LOCK, 8MM	1
		*	90751-KPS-900	PIN, LOCK, 8MM	1

Elément d'entretien	T.D.R.	No. de réf.	N° de pièce	Description	Q'té néc. XL200	N° de série	Codigo de Area
		16	91304-KK3-830	JOINT TORIQUE, 9.4X2.4	2
		*	91304-KPS-900	JOINT TORIQUE, 9.4X2.4	2
		17	92101-05020-0A	BOULON HEX., 5X20	2
		18	93600-04012-0A	VIS A TETE PLATE, 4X12	2
		19	93700-05012-0A	VIS A TETE OVALE, 5X12.....	3
		*	90112-KPS-900	VIS A TETE OVALE, 5X12.....	3
		20	94251-08000	GOUPILLE DE BLOCAGE, 8MM.....	1
		*	90751-KPS-900	GOUPILLE DE BLOCAGE, 8MM.....	1
Artículo de servicio	THLL	N° de ref.	No. de pieza	Descripción	Cant. Requerida XL200	No. de série	Code de Zone
		16	91304-KK3-830	ANILLO O, 9.4X2.4	2
		*	91304-KPS-900	ANILLO O, 9.4X2.4	2
		17	92101-05020-0A	PERNO, HEX., 5X20	2
		18	93600-04012-0A	TORNILLO DE PLANO, 4X12	2
		19	93700-05012-0A	TORNILLO, OVALADO, 5X12.....	3
		*	90112-KPS-900	TORNILLO, OVALADO, 5X12.....	3
		20	94251-08000	ESPIGA DE CIERRE, 8MM.....	1
		*	90751-KPS-900	ESPIGA DE CIERRE, 8MM.....	1

E-8

Left Crankcase Cover Panneau Carter Moteur G. Cubierta de Carter Izq.



KBBB-E0800

Service Item	F.R.T	Ref. N°	Part No.	Description	Qty. XL200	Serial No.	Note
COVER, L. RR. CRANKCASE	0.1	1	11340-KW8-920	COVER, L. CRANKCASE	1
COVER, REDUCTION GEAR.....	0.2	2	11355-KW8-920	COVER, REDUCTION GEAR	1
GASKET, L. CRANKCASE	0.6	3	11361-KBB-900	COVER, L. RR. CRANKCASE.....	1
COVER, L. CRANKCASE.....	0.9	4	11363-437-620	RUBBER, RR. COVER MOUNTING.....	1
		5	11395-KW1-900	GASKET, L. CRANKCASE	1
		*	11395-KBB-305	GASKET, L. CRANKCASE	1
		*	11395-KCN-000	GASKET, L. CRANKCASE	1
		*	11395-KCN-010	GASKET, L. CRANKCASE	1
		6	32976-KW1-900	CLAMPER, A.C. GENERATOR CORD	1
		7	90084-471-000	CAP, A.C. GENERATOR	1
		8	90087-471-000	CAP, 30MM	1
		9	90703-HC4-000	PIN, DOWEL, 10X14	2
		*	90703-KPS-900	PIN, DOWEL, 10X14	2
		10	91302-567-003	O-RING, 27.4X2.4 (ARAI).....	1
		*	91302-KPS-730	O-RING, 27.4X2.4 (ARAI).....	1
		11	91303-377-000	O-RING, 13.8X2.5	1
		*	91303-KRM-840	O-RING, 13.8X2.5	1
		12	91304-MN5-003	O-RING, 63X3 (ARAI).....	1
		*	91304-KGA-940	O-RING, 63X3 (ARAI).....	1
		13	96001-06014-00	BOLT, FLANGE, 6X14	1
		14	96001-06020-00	BOLT, FLANGE, 6X20	1
		*	90040-GHR-680	BOLT, FLANGE, 6X20	1
		15	96001-06025-00	BOLT, FLANGE, 6X25	2
		*	90040-GHR-700	BOLT, FLANGE, 6X25	2
		16	96001-06040-00	BOLT, FLANGE, 6X40	4
		*	90040-GHR-760	BOLT, FLANGE, 6X40	4

2



Back
Retour
Volver

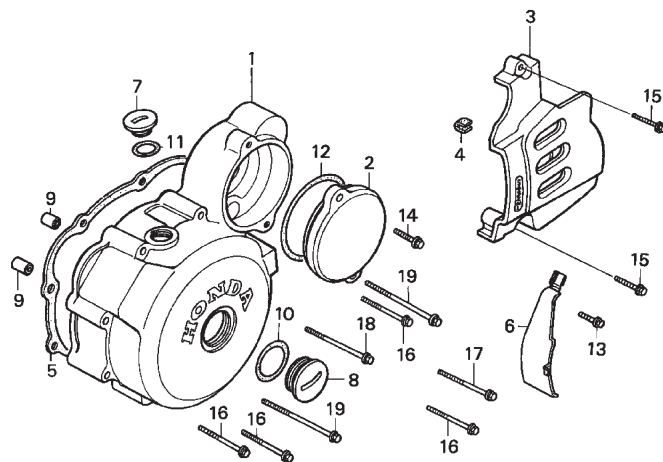
Elément d'entretien	T.D.R.	No. de réf.	N° de pièce	Description	Q'té néc. XL200	N° de série	Codigo de Area
COUVERCLE DE CARTER MOTEUR AR G0.1		1	11340-KW8-920	COUVERCLE DE CARTER MOTEUR G.....	1		
COUVERCLE DE PIGNON DE REDUCTION.....0.2		2	11355-KW8-920	COUVERCLE DE PIGNON DE REDUCTION.....	1		
JOINT DE CARTER MOTEUR G0.6		3	11361-KBB-900	COUVERCLE DE CARTER MOTEUR AR. G.....	1		
COUVERCLE DE CARTER MOTEUR G0.9		4	11363-437-620	CAOUTCHOUC DE MONTAGE COUVERCLE AR.....	1		
		5	11395-KW1-900	JOINT DE CARTER MOTEUR G.....	1		
		*	11395-KBB-305	JOINT DE CARTER MOTEUR G.....	1		
		*	11395-KCN-000	JOINT DE CARTER MOTEUR G.....	1		
		*	11395-KCN-010	JOINT DE CARTER MOTEUR G.....	1		
		6	32976-KW1-900	AGRAFE DE FIL DE GENERATEUR A C.A.....	1		
		7	90084-471-000	CHAPEAU DE GENERATEUR DE C.A.....	1		
		8	90087-471-000	CHAPEAU, 30MM.....	1		
		9	90703-HC4-000	GOUJON D'ASSEMBLAGE, 10X14.....	2		
		*	90703-KPS-900	GOUJON D'ASSEMBLAGE, 10X14.....	2		
		10	91302-567-003	JOINT TORIQUE, 27.4X2.4 (ARAI).....	1		
		*	91302-KPS-730	JOINT TORIQUE, 27.4X2.4 (ARAI).....	1		
		11	91303-377-000	JOINT TORIQUE, 13.8X2.5.....	1		
		*	91303-KRM-840	JOINT TORIQUE, 13.8X2.5.....	1		
		12	91304-MN5-003	JOINT TORIQUE, 63X3 (ARAI).....	1		
		*	91304-KGA-940	JOINT TORIQUE, 63X3 (ARAI).....	1		
		13	96001-06014-00	BOULON DE BRIDE, 6X14.....	1		
		14	96001-06020-00	BOULON DE BRIDE, 6X20.....	1		
		*	90040-GHR-680	BOULON DE BRIDE, 6X20.....	1		
		15	96001-06025-00	BOULON DE BRIDE, 6X25.....	2		
		*	90040-GHR-700	BOULON DE BRIDE, 6X25.....	2		
		16	96001-06040-00	BOULON DE BRIDE, 6X40.....	4		
		*	90040-GHR-760	BOULON DE BRIDE, 6X40.....	4		
Artículo de servicio	THLL	N° de ref.	No. de pieza	Descripción	Cant. Requerida XL200	No. de série	Code de Zone
CUBIERTA, CARTER IZO. TRAS.....0.2		1	11340-KW8-920	CUBIERTA, CARTER IZO.....	1		
CUBIERTA, ENGRANAJE REDUCCION0.8		2	11355-KW8-920	CUBIERTA, ENGRANAJE REDUCCION.....	1		
EMPACADURA, CARTER DE MOTOR IZO0.6		3	11361-KBB-900	CUBIERTA, CARTER IZO. TRAS.....	1		
CUBIERTA, CARTER IZO.....0.9		4	11363-437-620	GOMA, MONTURA DE CUBIERTA TRAS.....	1		
		5	11395-KW1-900	EMPACADURA, CARTER DE MOTOR IZO.....	1		
		*	11395-KBB-305	EMPACADURA, CARTER DE MOTOR IZO.....	1		
		*	11395-KCN-000	EMPACADURA, CARTER DE MOTOR IZO.....	1		
		*	11395-KCN-010	EMPACADURA, CARTER DE MOTOR IZO.....	1		
		6	32976-KW1-900	ABRAZADERA, CUERDA DE GENERADOR DE C.A.....	1		
		7	90084-471-000	TAPA, GENERADOR DE C.A.....	1		
		8	90087-471-000	TAPA, 30MM.....	1		
		9	90703-HC4-000	ESPIGA, DOWEL, 10X14.....	2		
		*	90703-KPS-900	ESPIGA, DOWEL, 10X14.....	2		
		10	91302-567-003	ANILLO O, 27.4X2.4 (ARAI).....	1		
		*	91302-KPS-730	ANILLO O, 27.4X2.4 (ARAI).....	1		
		11	91303-377-000	ANILLO O, 13.8X2.5.....	1		
		*	91303-KRM-840	ANILLO O, 13.8X2.5.....	1		
		12	91304-MN5-003	ANILLO O, 63X3(ARAI).....	1		
		*	91304-KGA-940	ANILLO O, 63X3(ARAI).....	1		
		13	96001-06014-00	PERNO DE REBORDE, 6X14.....	1		
		14	96001-06020-00	PERNO DE REBORDE, 6X20.....	1		
		*	90040-GHR-680	PERNO DE REBORDE, 6X20.....	1		
		15	96001-06025-00	PERNO DE REBORDE, 6X25.....	2		
		*	90040-GHR-700	PERNO DE REBORDE, 6X25.....	2		
		16	96001-06040-00	PERNO DE REBORDE, 6X40.....	4		
		*	90040-GHR-760	PERNO DE REBORDE, 6X40.....	4		



Back
Retour
Volver

E-8

Left Crankcase Cover Panneau Carter Moteur G. Cubierta de Carter Izq.



KBBB-E0800

2



Back
Retour
Volver

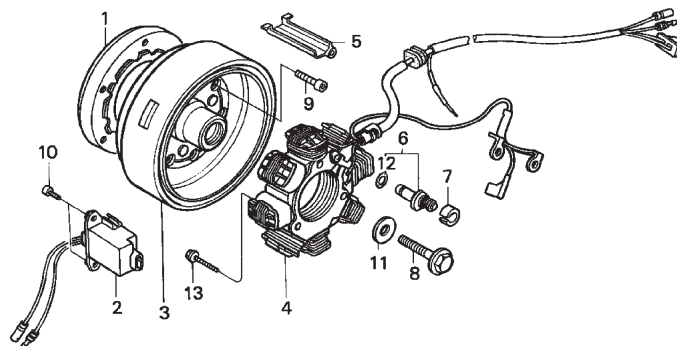
Service Item	F.R.T	Ref. N°	Part No.	Description	Qty. XL200	Serial No.	Note
		17	96001-06050-00	BOLT, FLANGE, 6X50	1
		*	90040-GHR-780	BOLT, FLANGE, 6X50	1
		18	96001-06060-00	BOLT, FLANGE, 6X60	1
		*	90040-GHR-800	BOLT, FLANGE, 6X60	1
		19	96001-06070-00	BOLT, FLANGE, 6X70	2
		*	90040-GHR-820	BOLT, FLANGE, 6X70	2

Elément d'entretien	T.D.R.	No. de réf.	N° de pièce	Description	Q'té néc. XL200	N° de série	Codigo de Area
		17	96001-06050-00	BOULON DE BRIDE, 6X50	1
		*	90040-GHR-780	BOULON DE BRIDE, 6X50	1
		18	96001-06060-00	BOULON DE BRIDE, 6X60	1
		*	90040-GHR-800	BOULON DE BRIDE, 6X60	1
		19	96001-06070-00	BOULON DE BRIDE, 6X70	2
		*	90040-GHR-820	BOULON DE BRIDE, 6X70	2
Artículo de servicio	THLL	N° de ref.	No. de pieza	Descripción	Cant. Requerida XL200	No. de série	Code de Zone
		17	96001-06050-00	PERNO DE REBORDE, 6X50	1
		*	90040-GHR-780	PERNO DE REBORDE, 6X50	1
		18	96001-06060-00	PERNO DE REBORDE, 6X60	1
		*	90040-GHR-800	PERNO DE REBORDE, 6X60	1
		19	96001-06070-00	PERNO DE REBORDE, 6X70	2
		*	90040-GHR-820	PERNO DE REBORDE, 6X70	2



E-9

Generator Generatrice Generador



FR.

KBBB-E0900

2



Back
Retour
Volver

Service Item	F.R.T	Ref. N°	Part No.	Description	Qty. XL200	Serial No.	Note
CONTACT, NEUTRAL SWITCH	0.2	1	28125-KW3-006	CLUTCH COMP., STARTING ONE WAY	1
IGNITION PULSE GENERATOR ASSY.	0.8	2	30300-HA0-033	IGNITION PULSE GENERATOR ASSY. (TEC).....	1
STATOR COMP.	0.9	3	31110-KBB-901	FLYWHEEL COMP	1
CLUTCH COMP., STARTING ONE WAY	1.0	4	31120-KBB-901	STATOR COMP	1
• FLYWHEEL COMP.		5	32976-KN6-910	GUIDE, A.C. GENERATOR CORD	1
		6	35750-GS3-003	CONTACT, NEUTRAL SWITCH	1
		7	35752-028-300	SPACER, NEUTRAL SWITCH	1
		8	90023-KK3-830	BOLT, ROTOR SETTING	1
		*	90024-KPT-900	BOLT, ROTOR SETTING	1
		9	90085-413-781	BOLT, SOCKET, 6MM	6
		10	90089-HB3-000	BOLT, SOCKET, 5X14	2
		11	90403-KN6-930	WASHER, 10X24	1
		12	91312-107-000	O-RING, 7X1.7	1
		13	96001-06032-00	BOLT, FLANGE, 6X32	3

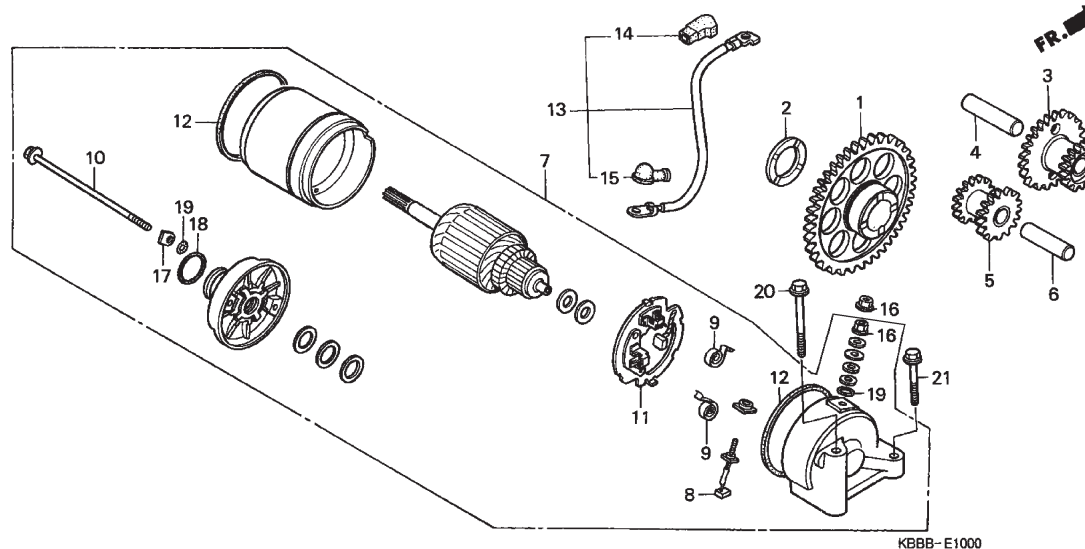
Elément d'entretien	T.D.R.	No. de réf.	N° de pièce	Description	Q'té néc. XL200	N° de série	Codigo de Area
CONTACT D'INTERRUPTEUR DE	0.2	1	28125-KW3-006	EMBAYAGE COMP. DE DEMARRAGE A UNE VOICE	1
POINT MORT		2	30300-HA0-033	ENS. DE GENERATEUR D'IMPULSION			
ENS. DE GENERATEUR D'IMPULSION	0.8			D'ALLUMAGE (TOYO) (TEC)	1
D'ALLUMAGE (TOYO)		3	31110-KBB-901	VOLANT COMP	1
STATOR COMP	0.9	4	31120-KBB-901	STATOR COMP	1
EMBAYAGE COMP. DE DEMARRAGE A	1.0	5	32976-KN6-910	GUIDE, CORDON GENERATEUR C. A	1
UNE VOICE		6	35750-GS3-003	CONTACT D'INTERRUPTEUR DE POINT MORT	1
• VOLANT COMP.		7	35752-028-300	ENTRETOISE DE CONTACTEUR DE POINT MORT	1
		8	90023-KK3-830	BOULON DE FIXATION DE ROTOR	1
		*	90024-KPT-900	BOULON DE FIXATION DE ROTOR	1
		9	90085-413-781	BOULON DE DOUILLE, 6MM	6
		10	90089-HB3-000	BOULON DE DOUILLE, 5X14	2
		11	90403-KN6-930	RONDELLE, 10X24	1
		12	91312-107-000	JOINT TORIQUE, 7X1.7	1
		13	96001-06032-00	BOULON DE BRIDE, 6X32	3
Artículo de servicio	THLL	N° de ref.	No. de pieza	Descripción	Cant. Requerida XL200	No. de série	Code de Zone
CONTACTO, INTERRUPTOR NEUTRO	0.2	1	28125-KW3-006	COMP. DE EMBRAGUE, DIRECTION UNICA DE ARRANQUE	1
ENS. GENERADOR PULSOS ENCENDIDO	0.8	2	30300-HA0-033	ENS. GENERADOR PULSOS ENCENDIDO (TEC)	1
COMP. DE ESTATOR	0.9	3	31110-KBB-901	COMP. DE VOLANTE	1
COMP. DE EMBRAGUE, DIRECTION UNICA DE ARRANQUE	1.0	4	31120-KBB-901	COMP. DE ESTATOR	1
		5	32976-KN6-910	GUIA, CABLE GENERADOR C.A	1
		6	35750-GS3-003	CONTACTO, INTERRUPTOR NEUTRO	1
		7	35752-028-300	ESPACIADOR, INTERRUPTOR NEUTRO	1
		8	90023-KK3-830	PERNO DE SUJECION, ROTOR	1
		*	90024-KPT-900	PERNO DE SUJECION, ROTOR	1
		9	90085-413-781	PERNO, CASQUILLO, 6MM	6
		10	90089-HB3-000	PERNO, CASQUILLO, 5X14	2
		11	90403-KN6-930	ARANDELA, 10X24	1
		12	91312-107-000	ANILLO O, 7X1.7	1
		13	96001-06032-00	PERNO DE REBORDE, 6X32	3

E-10

Starting Motor

Moteur de Demarrage

Motor de Arranque



KBBB-E1000

2



Back
Retour
Volver

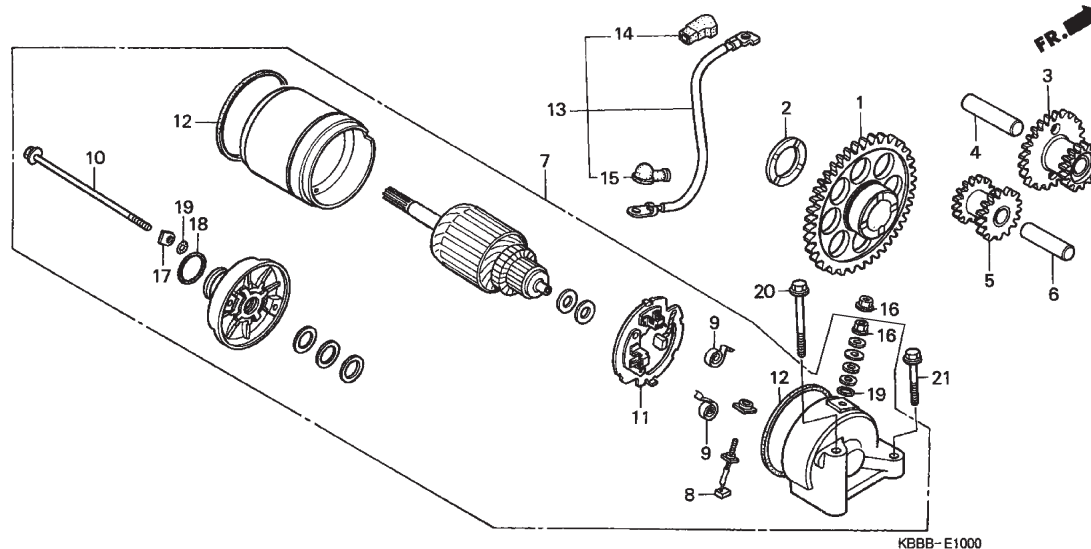
Service Item	F.R.T	Ref. N°	Part No.	Description	Qty. XL200	Serial No.	Note
CABLE, STARTING MOTOR.....0.3		1	28110-KBB-900	GEAR COMP., STARTER DRIVEN (56T).....	1
• GEAR, REDUCTION		2	28114-KN6-930	COLLAR, STARTING DRIVEN GEAR.....	1
• MOTOR ASSY., STARTING		3	28130-KBB-900	GEAR, REDUCTION (61T/18T).....	1
HOLDER SET, BRUSH.....0.6		4	28132-KN6-930	SHAFT, REDUCTION GEAR.....	1
• TERMINAL SET, BRUSH		5	28140-KBB-900	GEAR, IDLE (14T/16T).....	1
GEAR, IDLE.....0.7		6	28142-KW1-900	SHAFT, IDLE GEAR.....	1
GEAR COMP., STARTER DRIVEN.....0.8		7	31200-KBB-901	MOTOR ASSY., STARTING (MITSUBA).....	1
		8	31201-KS5-901	TERMINAL SET, BRUSH.....	1
		9	31204-KS5-901	SPRING, CARBON BRUSH.....	2
		10	31205-MN4-008	BOLT, SETTING.....	2
		11	31206-KW1-901	HOLDER SET, BRUSH.....	1
		12	31207-KS5-901	RING.....	2
		13	32402-KY7-000	CABLE, STARTING MOTOR.....	1
		14	32404-MK4-000	COVER A, STARTER MAGNETIC.....	1
		15	32411-253-000	COVER, STARTER MOTOR TERMINAL.....	1
		16	90071-MB0-000	NUT-WASHER, 6MM.....	2
		17	90401-KW1-900	WASHER, STEEL PLATE.....	2
		18	91309-425-003	O-RING, 24 .4X3.1 (ARAI).....	1
		19	91320-MB0-000	O-RING.....	3

Elément d'entretien	T.D.R.	No. de réf.	N° de pièce	Description	Q'té néc. XL200	N° de série	Codigo de Area
CABLE DE MOTEUR DE DEMARRAGE	0.3	1	28110-KBB-900	PIGNON COMP. MENNE DE DEMARREUR (56T)	1
• PIGNON DE REDUCTION		2	28114-KN6-930	CLLIER D'ENGRENAGE MENE DE DEMARRAGE	1
• ENS. MOTEUR DE DEMARRAGE		3	28130-KBB-900	PIGNON DE REDUCTION (61T/18T)	1
JEU DE COSSE DE BALAI	0.6	4	28132-KN6-930	ARBRE DE PIGNON DE REDUCTION	1
• JEU DE PORTE-BALAI		5	28140-KBB-900	PIGNON DE RALENTI (14T/16T)	1
PIGNON DE RALENTI	0.7	6	28142-KW1-900	ARBRE DE PIGNON FOU	1
PIGNON COMP. MENNE DE DEMARREUR	0.8	7	31200-KBB-901	ENS. MOTEUR DE DEMARRAGE (MITSUBA)	1
		8	31201-KS5-901	JEU DE COSSE DE BALAI	1
		9	31204-KS5-901	RESSORT, BALAIS-CHARBON	2
		10	31205-MN4-008	BOULON DE FIXATION	2
		11	31206-KW1-901	JEU DE PORTE-BALAI	1
		12	31207-KS5-901	ANNEAU	2
		13	32402-KY7-000	CABLE DE MOTEUR DE DEMARRAGE	1
		14	32404-MK4-000	COUVERCLE MAGNETIQUE A DE DEMARREUR	1
		15	32411-253-000	CACHE DU TERMINAL DU DEMARREUR ELECTRIQUE	1
		16	90071-MB0-000	ECROU-RONDELLE, 6MM	2
		17	90401-KW1-900	RONDELLE DE PLAQUE D'ACIER	2
		18	91309-425-003	JOINT TORIQUE, 24.4X3.1 (ARAI)	1
		19	91320-MB0-000	JOINT TORIQUE	3
Artículo de servicio	THLL	N° de ref.	No. de pieza	Descripción	Cant. Requerida XL200	No. de série	Code de Zone
CABLE, MOTOR DE ARRANQUE	0.3	1	28110-KBB-900	ENGRANAJE COMP., IMPULSOR ARRANCADOR (56T)	1
• ENGRANAJE, DESMULTIPLICADOR		2	28114-KN6-930	COLLAR, ENGRANAJE IMPULSADO ARRANQUE	1
• ENS. DE MOTOR DE ARRANQUE		3	28130-KBB-900	ENGRANAJE, DESMULTIPLICADOR (61T/18T)	1
JUEGO DE TERMINAL, ESCOBILLA	0.6	4	28132-KN6-930	EJE, ENGRANAJE DESMULTIPLICADOR	1
• JUEGO DE PORTADOR, ESCOBILLA		5	28140-KBB-900	ENGRANAJE, LOCO (14T/16T)	1
ENGRANAJE, LOCO	0.7	6	28142-KW1-900	EJE DE ENGRANAJE DE RALENTI	1
ENGRANAJE COMP., IMPULSOR ARRANCADOR	0.8	7	31200-KBB-901	ENS. DE MOTOR DE ARRANQUE (MITSUBA)	1
		8	31201-KS5-901	JUEGO DE TERMINAL, ESCOBILLA	1
		9	31204-KS5-901	RESORTE, ESCOBILLA DE CARBON	2
		10	31205-MN4-008	PERNO, FIJACION	2
		11	31206-KW1-901	JUEGO DE PORTADOR, ESCOBILLA	1
		12	31207-KS5-901	ANILLO	2
		13	32402-KY7-000	CABLE, MOTOR DE ARRANQUE	1
		14	32404-MK4-000	CUBIERTA A, ARRANQUE MAGNETICO	1
		15	32411-253-000	CUBIERTA, TERMINAL DEL MOTOR DE ARRANQUE	1
		16	90071-MB0-000	TUERCA-ARANDELA, 6MM	2
		17	90401-KW1-900	ARANDELA, PLACA DE ACERO	2
		18	91309-425-003	ANILLO O, 24.4X3.1(ARAI)	1
		19	91320-MB0-000	ANILLO O	3



E-10

Starting Motor Moteur de Demarrage Motor de Arranque



2



Back
Retour
Volver

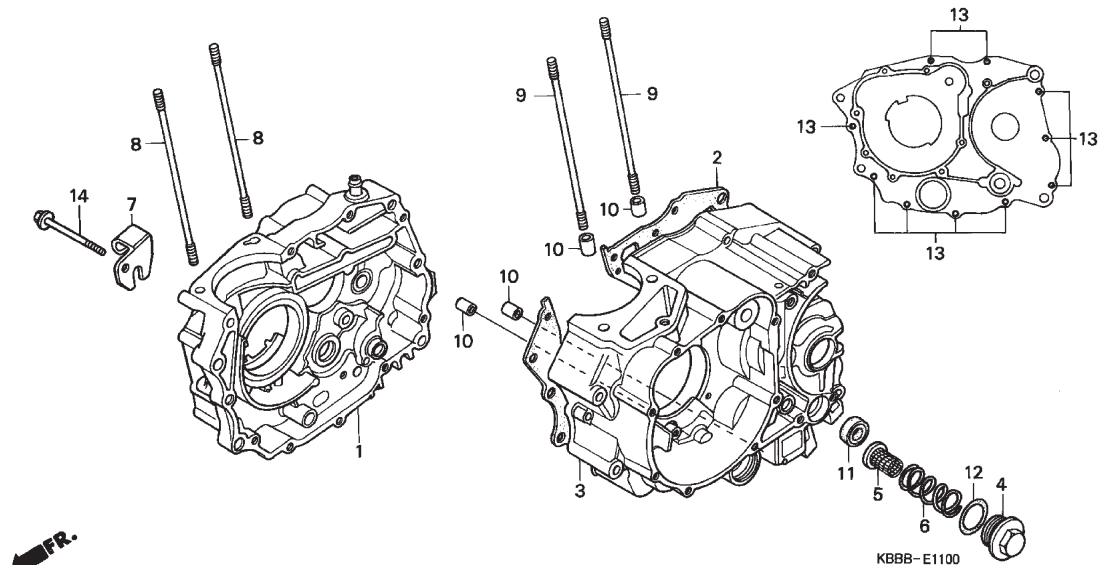
Service Item	F.R.T	Ref. N°	Part No.	Description	Qty. XL200	Serial No.	Note
		20	95701-06060-00	BOLT, FLANGE, 6X60	1
		*	90005-KPS-900	BOLT, FLANGE, 6X60	1
		21	95801-06032-00	BOLT, FLANGE, 6X32	1

Elément d'entretien	T.D.R.	No. de réf.	N° de pièce	Description	Q'té néc. XL200	N° de série	Codigo de Area
		20	95701-06060-00	BOULON DE BRIDE, 6X60	1
		*	90005-KPS-900	BOULON DE BRIDE, 6X60	1
		21	95801-06032-00	BOULON DE BRIDE, 6X32	1
Artículo de servicio	THLL	N° de ref.	No. de pieza	Descripción	Cant. Requerida XL200	No. de série	Code de Zone
		20	95701-06060-00	PERNO DE REBORDE, 6X60	1
		*	90005-KPS-900	PERNO DE REBORDE, 6X60	1
		21	95801-06032-00	PERNO DE REBORDE, 6X32	1



E-11

Crankcase Carter Moteur Carter de Motor



2



Back
Retour
Volver

Service Item	F.R.T	Ref. N°	Part No.	Description	Qtd. XL200	Serial No.	Note
SCREEN, OIL FILTER	0.2	1	11100-KBB-902	CRANKCASE COMP., R.	1
(INC. RELATIVE PART)		2	11191-KBB-900	GASKET, CRANKCASE	1
GASKET, CRANKCASE	*4.3	*	11191-KBB-305	GASKET, CRANKCASE	1
CRANKCASE COMP., R.	*4.8	*	11191-KBB-870	GASKET, CRANKCASE	1
CRANKCASE COMP., L.	*5.7	*	11191-KBB-871	GASKET, CRANKCASE	1
		3	11200-KBB-900	CRANKCASE COMP., L.	1
		4	12361-KY0-890	CAP, TAPPET ADJUSTING HOLE	1
		*	12361-KPS-900	CAP, TAPPET ADJUSTING HOLE	1
		5	15421-107-000	SCREEN, OIL FILTER	1
		6	15426-107-000	SPRING, OIL FILTER SCREEN	1
		*	15426-KPS-900	SPRING, OIL FILTER SCREEN	1
		7	22838-KY0-890	HOLDER, CLUTCH WIRE	1
		8	90031-KN6-930	BOLT A, CYLINDER STUD	2
		9	90032-KN6-930	BOLT B, CYLINDER STUD	2
		10	90703-HC4-000	PIN, DOWEL, 10X14	4
		*	90703-KPS-900	PIN, DOWEL, 10X14	4
		11	91202-965-003	OIL SEAL, 14X28X7 (ARAI)	1
		12	91303-KK3-830	O-RING, 35X3 (ARAI)	1
		*	91303-KPS-730	O-RING, 35X3 (ARAI)	1
		13	96001-06050-00	BOLT, FLANGE, 6X50	10
		*	90040-GHR-780	BOLT, FLANGE, 6X50	10
		14	96001-06060-00	BOLT, FLANGE, 6X60	1
		*	90040-GHR-800	BOLT, FLANGE, 6X60	1

Elément d'entretien	T.D.R.	No. de réf.	N° de pièce	Description	Q'té néc. XL200	N° de série	Codigo de Area
CREPINE DE FILTRE A HUILE0.2 (PIECES RELATIVES Y COMPRISAS)		1	11100-KBB-902	CARTER MOTEUR COMP. D.....	1		
		2	11191-KBB-900	JOINT DE CARTER.....	1		
JOINT DE CARTER*4.3	*	*	11191-KBB-305	JOINT DE CARTER.....	1		
CARTER MOTEUR COMP. D*4.8	*	*	11191-KBB-870	JOINT DE CARTER.....	1		
CARTER MOTEUR COMP. G*5.7	*	*	11191-KBB-871	JOINT DE CARTER.....	1		
		3	11200-KBB-900	CARTER MOTEUR COMP. G.....	1		
		4	12361-KY0-890	CHAPEAU DE TROU DE REGLAGE SOUPAPE.....	1		
		*	12361-KPS-900	CHAPEAU DE TROU DE REGLAGE SOUPAPE.....	1		
		5	15421-107-000	CREPINE DE FILTRE A HUILE.....	1		
		6	15426-107-000	RESSORT DE CREPINE DE FILTRE A HUILE.....	1		
		*	15426-KPS-900	RESSORT DE CREPINE DE FILTRE A HUILE.....	1		
		7	22838-KY0-890	SUPPORT DE CABLE D'EMBRAYAGE.....	1		
		8	90031-KN6-930	GOUJON A, CYLINDRE.....	2		
		9	90032-KN6-930	GOUJON B, CYLINDRE.....	2		
		10	90703-HC4-000	GOUJON D'ASSEMBLAGE, 10X14.....	4		
		*	90703-KPS-900	GOUJON D'ASSEMBLAGE, 10X14.....	4		
		11	91202-965-003	JOINT D'ETANCHEITE D'HUILE, 14X28X7 (ARAI).....	1		
		12	91303-KK3-830	JOINT TORIQUE, 35X3 (ARAI).....	1		
		*	91303-KPS-730	JOINT TORIQUE, 35X3 (ARAI).....	1		
		13	96001-06050-00	BOULON DE BRIDE, 6X50.....	10		
		*	90040-GHR-780	BOULON DE BRIDE, 6X50.....	10		
		14	96001-06060-00	BOULON DE BRIDE, 6X60.....	1		
		*	90040-GHR-800	BOULON DE BRIDE, 6X60.....	1		
Artículo de servicio	THLL	N° de ref.	No. de pieza	Descripción	Cant. Requerida XL200	No. de série	Code de Zone
MALLA, FILTRO DE ACEITE0.2 (INCLUSIVE PIEZAS RELACIONADAS)		1	11100-KBB-902	COMP. DE CARTER, DER.....	1		
		2	11191-KBB-900	EMPACADURA, CARTER.....	1		
EMPACADURA, CARTER*4.3	*	*	11191-KBB-305	EMPACADURA, CARTER.....	1		
COMP. DE CARTER, DER*4.8	*	*	11191-KBB-870	EMPACADURA, CARTER.....	1		
COMP. DE CARTER, IZO.....*5.7	*	*	11191-KBB-871	EMPACADURA, CARTER.....	1		
		3	11200-KBB-900	COMP. DE CARTER, IZO.....	1		
		4	12361-KY0-890	TAPA, AGUJERO DE AJUSTE DE VALVULA.....	1		
		*	12361-KPS-900	TAPA, AGUJERO DE AJUSTE DE VALVULA.....	1		
		5	15421-107-000	MALLA, FILTRO DE ACEITE.....	1		
		6	15426-107-000	RESORTE, TAMIZ DEL FILTRO DE ACEITE.....	1		
		*	15426-KPS-900	RESORTE, TAMIZ DEL FILTRO DE ACEITE.....	1		
		7	22838-KY0-890	SOPORTE, CABLE DE EMBRAGUE.....	1		
		8	90031-KN6-930	PERNO PRISIONERO A, CILINDRO.....	2		
		9	90032-KN6-930	PERNO PRISIONERO B, CILINDRO.....	2		
		10	90703-HC4-000	ESPIGA, DOWEL, 10X14.....	4		
		*	90703-KPS-900	ESPIGA, DOWEL, 10X14.....	4		
		11	91202-965-003	SELLO DE ACEITE, 14X28X7 (ARAI).....	1		
		12	91303-KK3-830	ANILLO O, 35X3 (ARAI).....	1		
		*	91303-KPS-730	ANILLO O, 35X3 (ARAI).....	1		
		13	96001-06050-00	PERNO DE REBORDE, 6X50.....	10		
		*	90040-GHR-780	PERNO DE REBORDE, 6X50.....	10		
		14	96001-06060-00	PERNO DE REBORDE, 6X60.....	1		
		*	90040-GHR-800	PERNO DE REBORDE, 6X60.....	1		



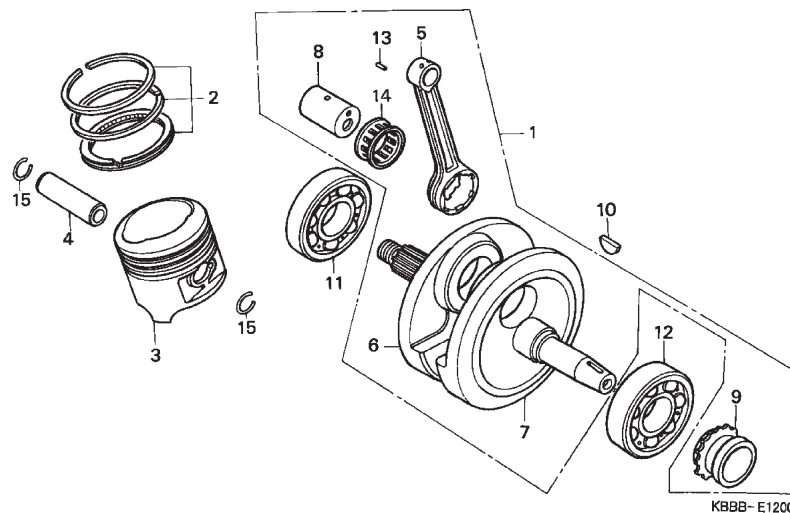
Back
Retour
Volver

E-12

Crankshaft • Piston

Vilebrequin • Piston

Cigüenal • Piston



2



Back
Retour
Volver

Service Item	F.R.T	Ref. N°	Part No.	Description	Qty. XL200	Serial No.	Note
• ROD, CONNECTINGN (ACTUAL TIME) (INC. RELATIVE PART)		1	13000-KBB-901	CRANKSHAFT COMP.....	1
		2	13011-KBB-305	RING SET, PISTON (STD.) (RIKEN).....	1
			13021-KBB-305	RING SET, PISTON (0.25).....	(1)
PIN, PISTON*3.0			13031-KBB-305	RING SET, PISTON (0.50).....	(1)
PISTON*3.1		3	13101-KBB-901	PISTON (STD.).....	1
			13102-KBB-315	PISTON (0.25).....	(1)
• RING SET, PISTON			13103-KBB-315	PISTON (0.50).....	(1)
BEARING, RADIAL BALL.....*5.3 (ADD 0.2 FOR EACH.)		4	13111-440-000	PIN, PISTON.....	1
• CRANKSHAFT COMP.		5	13201-KY0-890	ROD, CONNECTING.....	1
		6	13311-KBB-900	CRANKSHAFT, R.....	1
		7	13321-KBB-900	CRANKSHAFT, L.....	1
		8	13380-KCN-300	PIN COMP., CRANK.....	1
		9	14311-KN6-931	SPROCKET, TIMING (17T).....	1
		10	90741-KS4-020	KEY, WOODRUFF, 4MM.....	1
		11	91001-KBW-941	BEARING, RADIAL BALL, 6207.....	1
		*	91001-KBW-940	BEARING, RADIAL BALL, 6207.....	1
		12	91001-KCN-003	BEARING, RADIAL BALL, 28X72X18.....	1
		13	91102-KC6-003	ROLLER, A 4X14.8 (RED).....	18
			91103-KC6-003	ROLLER, B 4X14.8 (BLUE).....	18
			91104-KC6-003	ROLLER, C 4X14.8 (WHITE).....	18

Connection Rod Crank pin	a	A	B	C	D	E	F
1 (GREEN)	B (BLUE)		A (RED)				
2 (YELLOW)		B (BLUE)		A (RED)			
3 (WHITE)	C (WHITE)		B (BLUE)		A (RED)		
4 (BLUE)		C (WHITE)		B (BLUE)		A (RED)	
5 (BROWN)							A (RED)

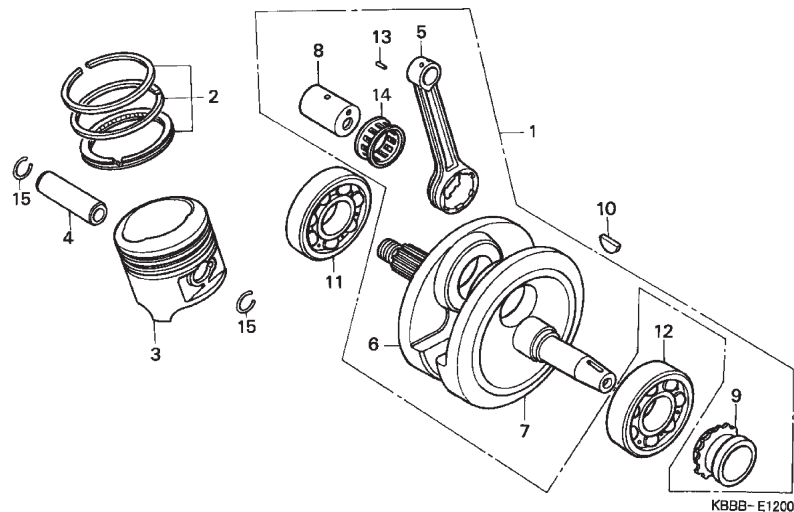
Elément d'entretien	T.D.R.	No. de réf.	N° de pièce	Description	Q'té néc. XL200	N° de série	Codigo de Area																																																
BIELLEN (PIECES RELATIVES Y COMPRISAS) (DUREE ACTUELLE REQUISE) AXE, PISTON*3.0 • JEU DE BAGUE DE PISTON • ROULEMENT A BILLES RADIAL*5.3 (AJOUTER 0.2 POUR CHAQUE) • VILEBREQUIN COMP.	TABLEAU POUR CHOIX DE BIELLE PALIER <table border="1"> <tr> <td>Diá. int. de la bielle Diá. ext. du tourillon de manivelle</td> <td>a</td> <td>A</td> <td>B</td> <td>C</td> <td>D</td> <td>E</td> <td>F</td> </tr> <tr> <td>1 (VERT)</td> <td>B (BLEU)</td> <td></td> <td>A (ROUGE)</td> <td></td> <td></td> <td></td> <td></td> </tr> <tr> <td>2 (JAUNE)</td> <td></td> <td>B (BLEU)</td> <td></td> <td>A (ROUGE)</td> <td></td> <td></td> <td></td> </tr> <tr> <td>3 (BLANC)</td> <td></td> <td></td> <td>B (BLEU)</td> <td></td> <td>A (ROUGE)</td> <td></td> <td></td> </tr> <tr> <td>4 (BLEU)</td> <td></td> <td></td> <td></td> <td>B (BLEU)</td> <td></td> <td>A (ROUGE)</td> <td></td> </tr> <tr> <td>5 (BRUN)</td> <td></td> <td></td> <td></td> <td></td> <td></td> <td></td> <td>A (ROUGE)</td> </tr> </table>	Diá. int. de la bielle Diá. ext. du tourillon de manivelle	a	A	B	C	D	E	F	1 (VERT)	B (BLEU)		A (ROUGE)					2 (JAUNE)		B (BLEU)		A (ROUGE)				3 (BLANC)			B (BLEU)		A (ROUGE)			4 (BLEU)				B (BLEU)		A (ROUGE)		5 (BRUN)							A (ROUGE)	1	13000-KBB-901	VILEBREQUIN COMP	1		
		Diá. int. de la bielle Diá. ext. du tourillon de manivelle	a	A	B	C	D	E	F																																														
		1 (VERT)	B (BLEU)		A (ROUGE)																																																		
		2 (JAUNE)		B (BLEU)		A (ROUGE)																																																	
		3 (BLANC)			B (BLEU)		A (ROUGE)																																																
		4 (BLEU)				B (BLEU)		A (ROUGE)																																															
		5 (BRUN)							A (ROUGE)																																														
		2	13011-KBB-305	JEU DE BAGUE DE PISTON (STD.) (RIKEN)	1																																																		
			13021-KBB-305	JEU DE BAGUE DE PISTON (0.25)	(1)																																																		
			13031-KBB-305	JEU DE BAGUE DE PISTON (0.50)	(1)																																																		
		3	13101-KBB-901	PISTON (STD.)	1																																																		
			13102-KBB-315	PISTON (0.25)	(1)																																																		
			13103-KBB-315	PISTON (0.50)	(1)																																																		
4	13111-440-000	AXE, PISTON	1																																																				
5	13201-KY0-890	BIELLE	1																																																				
6	13311-KBB-900	VILEBREQUIN D	1																																																				
7	13321-KBB-900	VILEBREQUIN G	1																																																				
8	13380-KCN-300	TOURILLON COMP. MANIVELLE	1																																																				
9	14311-KN6-931	PIGNON DE DISTRIBUTION (17T)	1																																																				
10	90741-KS4-020	CLAVETTE WOODRUFF, 4MM	1																																																				
11	91001-KBW-941	ROULEMENT A BILLES RADIAL, 6207	1																																																				
*	91001-KBW-940	ROULEMENT A BILLES RADIAL, 6207	1																																																				
12	91001-KCN-003	ROULEMENT A BILLES RADIAL, 28X72X18	1																																																				
13	91102-KC6-003	ROULEAU, A 4X14.8 (ROUGE)	18																																																				
	91103-KC6-003	ROULEAU, B 4X14.8 (BLEU)	18																																																				
	91104-KC6-003	ROULEAU, C 4X14.8 (BLANC)	18																																																				

Artículo de servicio	THLL	N° de ref.	No. de pieza	Descripción	Cant. Requerida XL200	No. de série	Code de Zone																																																
BIELAN (INCLUSIVE PIEZAS RELACIONADAS) (TIEMPO EFECTIVAMENTE REQUERIDO) ESPIGA, PISTON*3.0 JUEGO DE SEGMENTO, PISTON*3.1 PISTON COMP. DE CIGUENAL*5.3 • COJINETE, BOLAS RADIAL (AGREGUE 0.2 DE CADA.)	TABLA PARA SELECCION DE BIELA COJINETE <table border="1"> <tr> <td>Diá. int. de la Bielle Diá. ext. del manivela del ciguenal</td> <td>a</td> <td>A</td> <td>B</td> <td>C</td> <td>D</td> <td>E</td> <td>F</td> </tr> <tr> <td>1 (VERDE)</td> <td>B (AZUL)</td> <td></td> <td>A (ROJO)</td> <td></td> <td></td> <td></td> <td></td> </tr> <tr> <td>2 (AMARILLO)</td> <td></td> <td>B (AZUL)</td> <td></td> <td>A (ROJO)</td> <td></td> <td></td> <td></td> </tr> <tr> <td>3 (BLANCO)</td> <td></td> <td></td> <td>B (AZUL)</td> <td></td> <td>A (ROJO)</td> <td></td> <td></td> </tr> <tr> <td>4 (AZUL)</td> <td></td> <td></td> <td></td> <td>B (AZUL)</td> <td></td> <td>A (ROJO)</td> <td></td> </tr> <tr> <td>5 (MARRON)</td> <td></td> <td></td> <td></td> <td></td> <td></td> <td></td> <td>A (ROJO)</td> </tr> </table>	Diá. int. de la Bielle Diá. ext. del manivela del ciguenal	a	A	B	C	D	E	F	1 (VERDE)	B (AZUL)		A (ROJO)					2 (AMARILLO)		B (AZUL)		A (ROJO)				3 (BLANCO)			B (AZUL)		A (ROJO)			4 (AZUL)				B (AZUL)		A (ROJO)		5 (MARRON)							A (ROJO)	1	13000-KBB-901	COMP. DE CIGUENAL	1		
		Diá. int. de la Bielle Diá. ext. del manivela del ciguenal	a	A	B	C	D	E	F																																														
		1 (VERDE)	B (AZUL)		A (ROJO)																																																		
		2 (AMARILLO)		B (AZUL)		A (ROJO)																																																	
		3 (BLANCO)			B (AZUL)		A (ROJO)																																																
		4 (AZUL)				B (AZUL)		A (ROJO)																																															
		5 (MARRON)							A (ROJO)																																														
		2	13011-KBB-305	JUEGO DE SEGMENTO, PISTON (STD.) (RIKEN)	1																																																		
			13021-KBB-305	JUEGO DE SEGMENTO, PISTON (0.25)	(1)																																																		
			13031-KBB-305	JUEGO DE SEGMENTO, PISTON (0.50)	(1)																																																		
		3	13101-KBB-901	PISTON (STD.)	1																																																		
			13102-KBB-315	PISTON (0.25)	(1)																																																		
			13103-KBB-315	PISTON (0.50)	(1)																																																		
4	13111-440-000	ESPIGA, PISTON	1																																																				
5	13201-KY0-890	BIELA	1																																																				
6	13311-KBB-900	CIGUENAL DER	1																																																				
7	13321-KBB-900	CIGUENAL IZO	1																																																				
8	13380-KCN-300	COMP. DE ESPIGA, MANIVELA	1																																																				
9	14311-KN6-931	PINON DENTADO DE SINCRONIZACION (17T)	1																																																				
10	90741-KS4-020	CHAVETA, WOODRUFF, 4MM	1																																																				
11	91001-KBW-941	COJINETE DE BOLAS RADIAL, 6207	1																																																				
*	91001-KBW-940	COJINETE DE BOLAS RADIAL, 6207	1																																																				
12	91001-KCN-003	COJINETE DE BOLAS RADIAL, 28X72X18	1																																																				
13	91102-KC6-003	RODILLO, A 4X14.8 (ROJO)	18																																																				
	91103-KC6-003	RODILLO, B 4X14.8 (AZUL)	18																																																				
	91104-KC6-003	RODILLO, C 4X14.8 (BLANCO)	18																																																				



E-12

Crankshaft • Piston
Vilebrequin • Piston
Cigüenal • Piston



2



Back
Retour
Volver

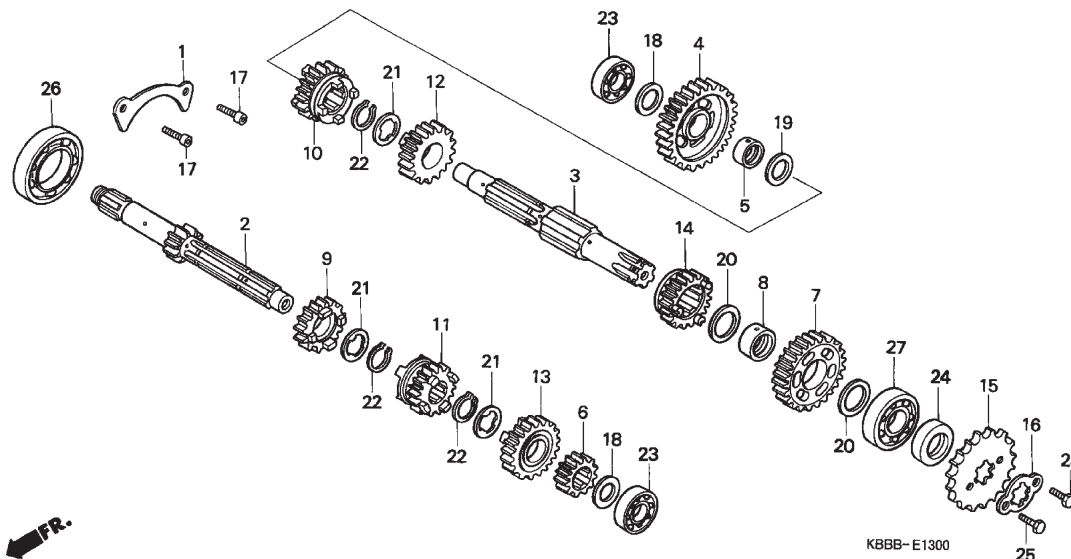
Service Item	F.R.T	Ref. N°	Part No.	Description	Qty. XL200	Serial No.	Note
		14	91105-KW3-003	RETAINER, CONNECTING ROD LARGE END	1
		15	94601-15000	CLIP, PISTON PIN, 15MM.....	2

Elément d'entretien	T.D.R.	No. de réf.	N° de pièce	Description	Q'té néc. XL200	N° de série	Codigo de Area
		14	91105-KW3-003	FIXATION D'EXTREMITE LARGE TIGE DE BIELLE	1
		15	94601-15000	ATTACHE D'AXE DE PISTON, 15MM.....	2
Artículo de servicio	THLL	N° de ref.	No. de pieza	Descripción	Cant. Requerida XL200	No. de série	Code de Zone
		14	91105-KW3-003	RETENEDOR EXTREMO GRUESO, VARILLA DE CONEXION	1
		15	94601-15000	GRAPA, ESPIGA DE PISTON, 15MM.....	2



E-13

Transmission Boite de Vitesses Transmision



2



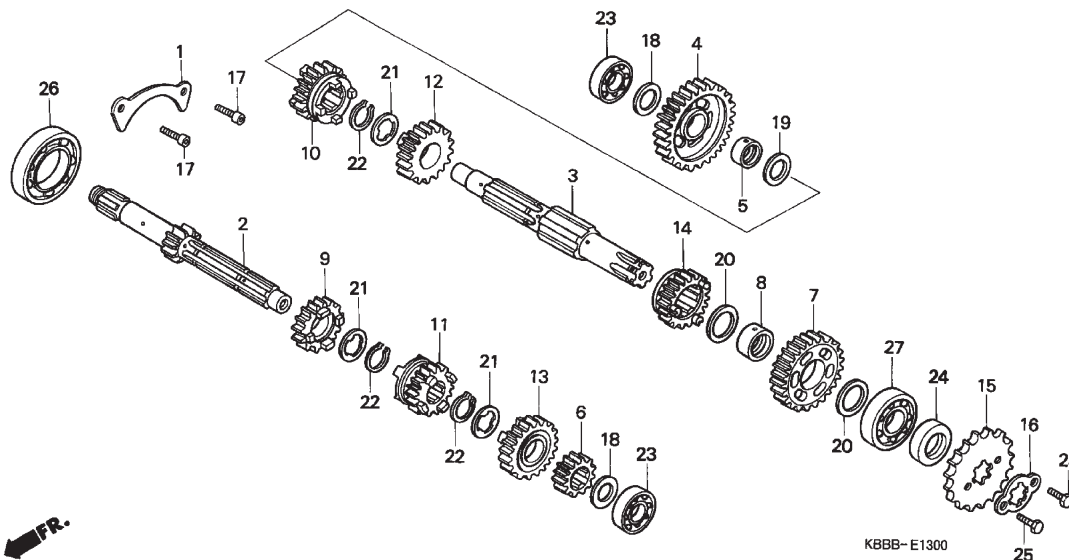
Back
Retour
Volver

Service Item	F.R.T	Ref. N°	Part No.	Description	Qty. XL200	Serial No.	Note
SPROCKET, DRIVE*	0.2	1	11108-KW1-900	PLATE, BEARING SETTING.....	1
COUNTERSHAFT, TRANSMISSION.....*	4.9	2	23211-KBB-900	MAINSHAFT, TRANSMISSION (13T).....	1
(INC. RELATIVE PART)		3	23221-KBB-900	COUNTERSHAFT, TRANSMISSION.....	1
GEAR, COUNTERSHAFT LOW (36T).....		4	23426-KBB-900	GEAR, COUNTERSHAFT LOW (36T).....	1
(WHEN SERVICING COMP., UNIT, F.R.T. IS 5.1)		5	23427-KW1-900	BUSH, 16.5X19.5X9.....	1
• MAINSHAFT, TRANSMISSION		6	23441-KBB-900	GEAR, MAINSHAFT SECOND (18T).....	1
(INC. RELATIVE PART)		7	23451-KBB-900	GEAR, COUNTERSHAFT SECOND (31T).....	1
		8	23452-KW1-900	BUSH, 20X23X9.....	1
		9	23461-KBB-900	GEAR, MAINSHAFT THIRD (19T).....	1
		10	23471-KBB-900	GEAR, COUNTERSHAFT THIRD (24T).....	1
		11	23481-KBB-900	GEAR, MAINSHAFT FOURTH (22T).....	1
		12	23491-KBB-900	GEAR, COUNTERSHAFT FOURTH (22T).....	1
		13	23501-KBW-900	GEAR, MAINSHAFT FIFTH (27T).....	1
		14	23511-KBW-900	GEAR, COUNTERSHAFT FIFTH (23T).....	1
		15	23801-KCN-000	SPROCKET, DRIVE (13T).....	1
		16	23811-KR3-600	PLATE A2, FIXING.....	1
		*	23811-KPS-900	PLATE A2, FIXING.....	1
		17	90001-KN6-930	BOLT, SOCKET, 6X16.....	2
		18	90451-107-000	WASHER, THRUST, 15MM.....	2
		*	90451-KPS-900	WASHER, THRUST, 15MM.....	2
		19	90452-437-000	WASHER, THRUST, 16.5MM.....	1
		*	90452-KPT-900	WASHER, THRUST, 16.5MM.....	1

Elément d'entretien	T.D.R.	No. de réf.	N° de pièce	Description	Q'té néc. XL200	N° de série	Codigo de Area
PIGNON DE COMMANDE0.2 ARBRE DE RENVOI DE TRANSMISSION*4.9 (PIECES RELATIVES Y COMPRISAS) (QUAND L'ENTRETIEN D'UNE UNITE COMPLETE EST REALISE, LE F.R.T. EST DE 5.1) • ABRE PRINCIPAL DE TRANSMISSION (PIECES RELATIVES Y COMPRISAS)		1	11108-KW1-900	PLAQUE DE FIXATION DE ROULEMENT.....	1		
		2	23211-KBB-900	ARBRE PRINCIPAL DE TRANSMISSION (13T).....	1		
		3	23221-KBB-900	ARBRE DE RENVOI DE TRANSMISSION	1		
		4	23426-KBB-900	PIGNON PREMIERE D'ARBRE DE RENVOI (36T)	1		
		5	23427-KW1-900	BAGUE, 16.5X19.5X9.....	1		
		6	23441-KBB-900	PIGNON DEUXIEME D'ARBRE PRINCIPAL (18T).....	1		
		7	23451-KBB-900	PIGNON DEUXIEME D'ARBRE DE RENVOI (31T).....	1		
		8	23452-KW1-900	BAGUE, 20X23X9.....	1		
		9	23461-KBB-900	PIGNON TROISIEME D'ARBRE PRINCIPAL (19T).....	1		
		10	23471-KBB-900	PIGNON TROISIEME D'ARBRE DE RENVOI (24T).....	1		
		11	23481-KBB-900	PIGNON QUATRIEME D'ARBRE PRINCIPAL (22T).....	1		
		12	23491-KBB-900	PIGNON QUATRIEME D'ARBRE DE RENVOI (22T).....	1		
		13	23501-KBW-900	PIGNON CINQUIEME D'ARBRE PRINCIPAL (27T).....	1		
		14	23511-KBW-900	PIGNON CINQUIEME D'ARBRE DE RENVOI (23T).....	1		
		15	23801-KCN-000	PIGNON DE COMANDE (13T).....	1		
		16	23811-KR3-600	PLAQUE A2 DE FIXATION	1		
		*	23811-KPS-900	PLAQUE A2 DE FIXATION	1		
		17	90001-KN6-930	BOULON DE DOUILLE, 6X16	2		
		18	90451-107-000	RONDELLE DE BUTEE, 15MM.....	2		
	*	90451-KPS-900	RONDELLE DE BUTEE, 15MM.....	2			
	19	90452-437-000	RONDELLE DE BUTEE, 16.5MM.....	1			
	*	90452-KPT-900	RONDELLE DE BUTEE, 16.5MM.....	1			
Artículo de servicio	THLL	N° de ref.	No. de pieza	Descripción	Cant. Requerida XL200	No. de série	Code de Zone
PINON DENTADO, MANDO.....0.2 EJE PRINCIPAL, TRANSMISION.....*4.9 (INCLUSIVE PIEZAS RELACIONADAS) (CUANDO SE HACE EL MANTENIMIENTO DE UNA UNIDAD COMPLETA EL THLL. ES DE 5,1) • CONTRA-EJE, TRANSMISION (INCLUSIVE PIEZAS RELACIONADAS)		1	11108-KW1-900	PLACA DE SUJECION, COJINETE.....	1		
		2	23211-KBB-900	EJE PRINCIPAL, TRANSMISION (13T).....	1		
		3	23221-KBB-900	CONTRA-EJE, TRANSMISION	1		
		4	23426-KBB-900	ENGRANAJE, PRIMERO DE CONTRA-EJE (36T)	1		
		5	23427-KW1-900	BUJE, 16.5X19.5X9.....	1		
		6	23441-KBB-900	ENGRANAJE, SEGUNDO DE EJE PRINCIPAL (18T).....	1		
		7	23451-KBB-900	ENGRANAJE, SEGUNDO DE CONTRA-EJE (31T).....	1		
		8	23452-KW1-900	BUJE, 20X23X9.....	1		
		9	23461-KBB-900	ENGRANAJE, TERCERO DE EJE PRINCIPAL (19T).....	1		
		10	23471-KBB-900	ENGRANAJE, TERCERO DE CONTRA-EJE (24T).....	1		
		11	23481-KBB-900	ENGRANAJE, CUARTO DE EJE PRINCIPAL (22T).....	1		
		12	23491-KBB-900	ENGRANAJE, QUATRO DE CONTRA-EJE (22T).....	1		
		13	23501-KBW-900	ENGRANAJE, QUINTO DE EJE PRINCIPAL (27T).....	1		
		14	23511-KBW-900	ENGRANAJE, QUINTO DE CONTRA-EJE (23T).....	1		
		15	23801-KCN-000	PINON DENTADO, MANDO (13T).....	1		
		16	23811-KR3-600	PLACA A2, FIJACION	1		
		*	23811-KPS-900	PLACA A2, FIJACION	1		
		17	90001-KN6-930	PERNO, CASQUILLO, 6X16.....	2		
		18	90451-107-000	ARANDELA DE EMPUJE, 15MM.....	2		
	*	90451-KPS-900	ARANDELA DE EMPUJE, 15MM.....	2			
	19	90452-437-000	ARANDELA DE EMPUJE, 16.5MM.....	1			
	*	90452-KPT-900	ARANDELA DE EMPUJE, 16.5MM.....	1			

E-13

Transmission Boite de Vitesses Transmision



2



Back
Retour
Volver

Service Item	F.R.T	Ref. N°	Part No.	Description	Qty. XL200	Serial No.	Note
		20	90454-107-000	WASHER, THRUST, 20MM.....	2
		*	90454-KPS-900	WASHER, THRUST, 20MM.....	2
		21	90455-107-000	WASHER A, SPLINE, 20MM.....	3
		*	90455-KPS-900	WASHER A, SPLINE, 20MM.....	3
		22	90605-200-000	SET RING, 20MM.....	3
		*	90605-KPS-900	SET RING, 20MM.....	3
		23	91015-KK6-003	BEARING, RADIAL BALL, 6202U.....	2
		24	91201-030-033	OIL SEAL, 20X34X7(ARAI).....	1
		*	91201-030-025	OIL SEAL, 20X34X7(ARAI).....	1
		25	93101-06010-0A	BOLT, HEX., 6X10.....	2
		26	96100-60040-00	BEARING, RADIAL BALL, 6004.....	1
		27	96100-62040-00	BEARING, RADIAL BALL, 6204.....	1

Elément d'entretien	T.D.R.	No. de réf.	N° de pièce	Description	Q'té néc. XL200	N° de série	Codigo de Area
		20	90454-107-000	RONDELLE DE BUTEE, 20MM	2
		*	90454-KPS-900	RONDELLE DE BUTEE, 20MM	2
		21	90455-107-000	RONDELLE CANNELEE A 20MM	3
		*	90455-KPS-900	RONDELLE CANNELEE A 20MM	3
		22	90605-200-000	BAGUES DE SERRAGE, 20MM	3
		*	90605-KPS-900	BAGUES DE SERRAGE, 20MM	3
		23	91015-KK6-003	ROULEMENT A BILLES RADIAL, 6202U	2
		24	91201-030-033	JOINT D'ETANCHEITE D'HUILE, 20X34X7(ARAI).....	1
		*	91201-030-025	JOINT D'ETANCHEITE D'HUILE, 20X34X7(ARAI).....	1
		25	93101-06010-0A	BOULON HEX., 6X10	2
		26	96100-60040-00	ROULEMENT A BILLES RADIAL, 6004	1
		27	96100-62040-00	ROULEMENT A BILLES RADIAL, 6204	1

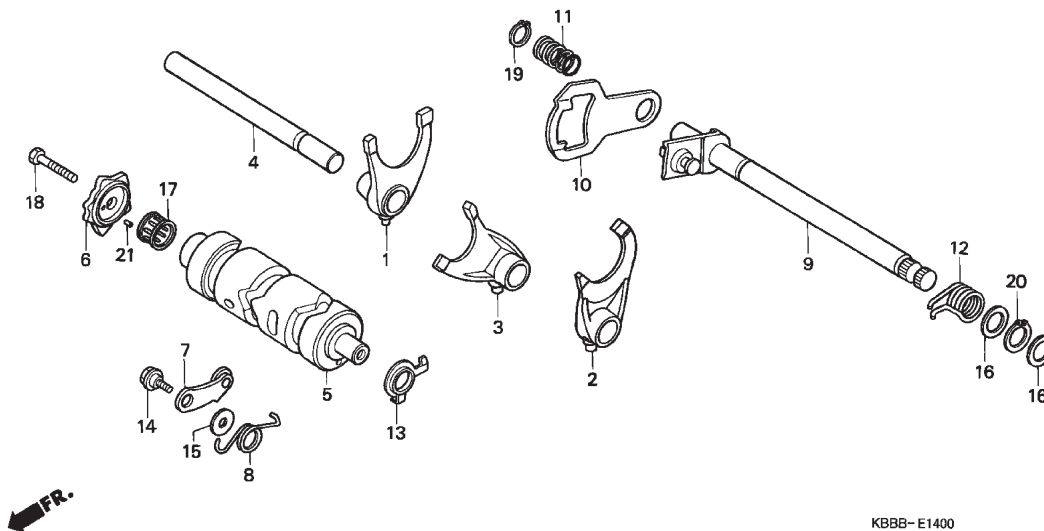
Artículo de servicio	THLL	N° de ref.	No. de pieza	Descripción	Cant. Requerida XL200	No. de série	Code de Zone
		20	90454-107-000	ARANDELA DE EMPUJE, 20MM.....	2
		*	90454-KPS-900	ARANDELA DE EMPUJE, 20MM.....	2
		21	90455-107-000	ARANDELA A, LANGUETA, 20MM.....	3
		*	90455-KPS-900	ARANDELA A, LANGUETA, 20MM.....	3
		22	90605-200-000	ANILLO DE SUJECION, 20MM.....	3
		*	90605-KPS-900	ANILLO DE SUJECION, 20MM.....	3
		23	91015-KK6-003	COJINETE DE BOLAS RADIAL, 6202U.....	2
		24	91201-030-033	SELLO DE ACEITE, 20X34X7(ARAI).....	1
		*	91201-030-025	SELLO DE ACEITE, 20X34X7(ARAI).....	1
		25	93101-06010-0A	PERNO, HEX., 6X10	2
		26	96100-60040-00	COJINETE DE BOLAS RADIAL, 6004	1
		27	96100-62040-00	COJINETE DE BOLAS RADIAL, 6204	1

E-14

Gear Shift Drum

Barillet de Selection

Tambor Cambio Engranajes



2



Back
Retour
Volver

Service Item	F.R.T	Ref. N°	Part No.	Description	Qty. XL200	Serial No.	Note
FORK, GEARSHIFT	*4.5	1	24211-KW1-900	FORK, R. GEARSHIFT	1
(ONE OR ALL)		2	24221-KBB-900	FORK, L. GEARSHIFT	1
DRUM GEARSHIFT	*5.0	3	24231-KW1-900	FORK, CENTER GEARSHIFT	1
CAM GEARSHIFT	1.2	* 4	24241-KCS-650	SHAFT, GEARSHIFT FORK GUIDE	1
STOPPER COMP., GEARSHIFT		5	24301-KBB-900	DRUM, GEARSHIFT	1
DRUM	0.8	* 6	24411-KCN-000	CAM, GEARSHIFT	1
SPINDLE COMP., GEARSHIFT	0.9	* 7	24411-KGA-K60	CAM, GEARSHIFT	1
(INC. RELATIVE PART)		8	24430-KW1-900	STOPPER COMP., GEARSHIFT DRUM	1
		9	24435-KBB-900	SPRING, SHIFT DRUM STOPPER	1
		10	24610-107-760	SPINDLE COMP., GEARSHIFT	1
		11	24621-107-760	PLATE, GEARSHIFT	1
		* 12	24631-107-000	SPRING, GEARSHIFT PLATE	1
		* 13	24631-KPS-900	SPRING, GEARSHIFT PLATE	1
		* 14	24651-107-000	SPRING, GEARSHIFT RETURN	1
		15	24651-KGA-K60	SPRING, GEARSHIFT RETURN	1
		16	35753-KG2-951	ROTOR, NEUTRAL SWITCH	1
		17	90023-KW1-900	BOLT, GEARSHIFT DRUM STOPPER	1
		* 18	90023-KPS-900	BOLT, GEARSHIFT DRUM STOPPER	1
		19	90408-KW1-900	WASHER, 6MM	1
		20	90451-001-000	WASHER, THRUST, 14MM	2
		21	91008-HB5-003	BEARING, NEEDLE, 22X28X12	1
			92101-06025-0A	BOLT, HEX., 6X25	1

Elément d'entretien	T.D.R.	No. de réf.	N° de pièce	Description	Q'té néc. XL200	N° de série	Codigo de Area
FOURCHETTE, CHANGEMENT DE VITESSE*4.5 (MEME TEMPS POUR DEUX UNITES OU PLUS) TAMBOUR DE CHANGEMENT DE VITESSE*5.0 CAME DE CHANGEMENT VITESSE.....1.2 BUTTE TAMBOUR DE CHANGEMENT DE VITESSE0.8 BROCHE COMP. CHANGEMENT DE VITESSE0.9 (PIECES RELATIVES Y COMPRISES)		1	24211-KW1-900	FOURCHETTE D. DE CHANGEMENT DE VITESSE	1		
		2	24221-KBB-900	FOURCHETTE G. DE CHANGEMENT DE VITESSE	1		
		3	24231-KW1-900	FOURCHETTE CENTRALE DE CHANGEMENT DE VITESSE..	1		
		4	24241-KCS-650	ARBRE DE GUIDE DE FOURCHETTE CHANGEMENT DE VITESSE	1		
		5	24301-KBB-900	TAMBOUR DE CHANGEMENT DE VITESSE	1		
		6	24411-KCN-000	CAME DE CHANGEMENT VITESSE.....	1		
		*	24411-KGA-K60	CAME DE CHANGEMENT VITESSE.....	1		
		7	24430-KW1-900	BUTEE COMP. TAMBOUR DE CHANGEMENT DE VITESSE..	1		
		8	24435-KBB-900	RESSORT DE BUTEE DE TAMBOUR CHANGEMENT.....	1		
		9	24610-107-760	BROCHE COMP. CHANGEMENT DE VITESSE	1		
		10	24621-107-760	PLAQUE DE CHANGEMENT DE VITESSE	1		
		11	24631-107-000	RESSORT DE PLAQUE DE CHANGEMENT DE VITESSE	1		
		*	24631-KPS-900	RESSORT DE PLAQUE DE CHANGEMENT DE VITESSE	1		
		12	24651-107-000	RESSORT DE RAPPEL DE CHANGEMENT DE VITESSE.....	1		
		*	24651-KGA-K60	RESSORT DE RAPPEL DE CHANGEMENT DE VITESSE	1		
		13	35753-KG2-951	ROTOR DE CONTACTEUR DE POINT MORT.....	1		
		14	90023-KW1-900	BOULON DE PIVOT DE BUTEE TAMBOUR DE CHANGEMENT VITESSE	1		
		*	90023-KPS-900	BOULON DE PIVOT DE BUTEE TAMBOUR DE CHANGEMENT VITESSE	1		
	15	90408-KW1-900	RONDELLE, 6MM	1			
	16	90451-001-000	RONDELLE DE BUTEE, 14MM	2			
	17	91008-HB5-003	ROULEMENT A AIGUILLES, 22X28X12.....	1			
	18	92101-06025-0A	BOULON HEX., 6X25	1			
Artículo de servicio	THLL	N° de ref.	No. de pieza	Descripción	Cant. Requerida XL200	No. de série	Code de Zone
HORQUILLA, CAMBIO DE VELOCIDADES*4,5 (EL MESMO TIEMPO DOS UNIDADES O MAS) TAMBOR, CAMBIO DE VELOCIDADES.....*5.0 LEVA, CAMBIO DE VELOCIDADES1.2 COMP. DE OBTURADOR, TAMBOR CAMBIO DE VELOCIDADES0.8 COMP. DE EJE, CAMBIO DE VELOCIDADES0.9 (INCLUSIVE PIEZAS RELACIONADAS)		1	24211-KW1-900	HORQUILLA, CAMBIO DE VELOCIDADES DER.	1		
		2	24221-KBB-900	HORQUILLA, CAMBIO DE VELOCIDADES IZQ.	1		
		3	24231-KN1-900	HORQUILLA, CAMBIO DE VELOCIDADES CENTRAL	1		
		4	24241-KCS-650	EJE, GUIA DE HORQUILLA DE CAMBIO DE VELOCIDADES	1		
		5	24301-KBB-900	TAMBOR, CAMBIO DE VELOCIDADES	1		
		6	24411-KCN-000	LEVA, CAMBIO DE VELOCIDADES	1		
		*	24411-KGA-K60	LEVA, CAMBIO DE VELOCIDADES	1		
		7	24430-KN1-900	COMP. DE OBTURADOR, TAMBOR CAMBIO DE VELOCIDADES	1		
		8	24435-KBB-900	RESORTE DE OBTURADOR, TAMBOR DE CAMBIOS	1		
		9	24610-107-760	COMP. DE EJE, CAMBIO DE VELOCIDADES	1		
		10	24621-107-760	PLACA, CAMBIO DE VELOCIDADES	1		
		11	24631-107-000	RESORTE, PLACA DE CAMBIO DE VELOCIDADES	1		
		*	24631-KPS-900	RESORTE, PLACA DE CAMBIO DE VELOCIDADES	1		
		12	24651-107-000	RESORTE DE RETORNO, CAMBIO DE VELOCIDADES.....	1		
		*	24651-KGA-K60	RESORTE DE RETORNO, CAMBIO DE VELOCIDADES.....	1		
		13	35753-KG2-951	ROTOR, INTERRUPTOR NEUTRO	1		
		14	90023-KW1-900	PERNO, PIVOTE DE BRAZO DE TANQUE DE TAMBIO	1		
		*	90023-KPS-900	PERNO, PIVOTE DE BRAZO DE TANQUE DE TAMBIO	1		
	15	90408-KW1-900	ARANDELA, 6MM.....	1			
	16	90451-001-000	ARANDELA DE EMPUJE, 14MM.....	2			
	17	91008-HB5-003	COJINETE DE AGUJAS, 22X28X12	1			
	18	92101-06025-0A	PERNO, HEX., 6X25	1			

2

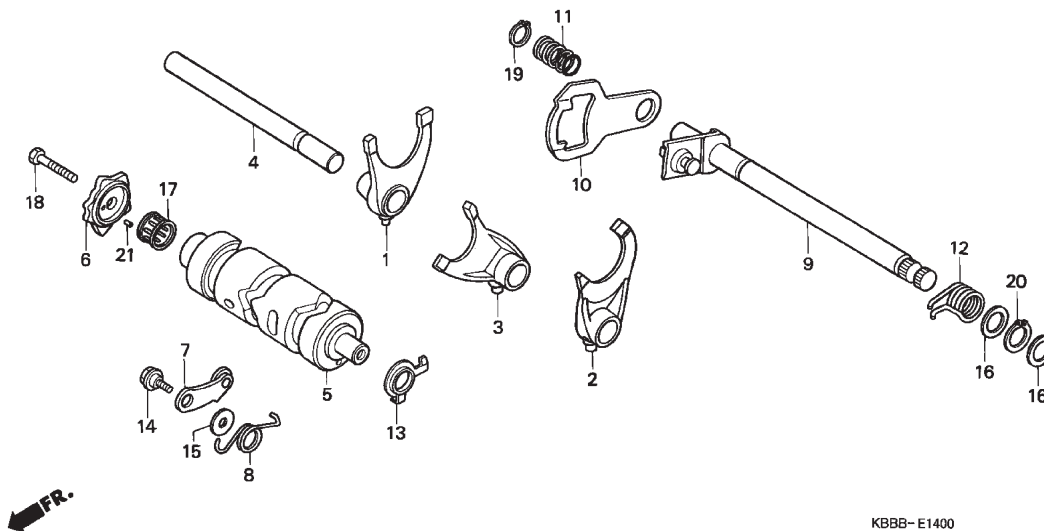
Back
Retour
Volver

E-14

Gear Shift Drum

Barillet de Selection

Tambor Cambio Engranajes



KBBB- E1400

2



Back
Retour
Volver

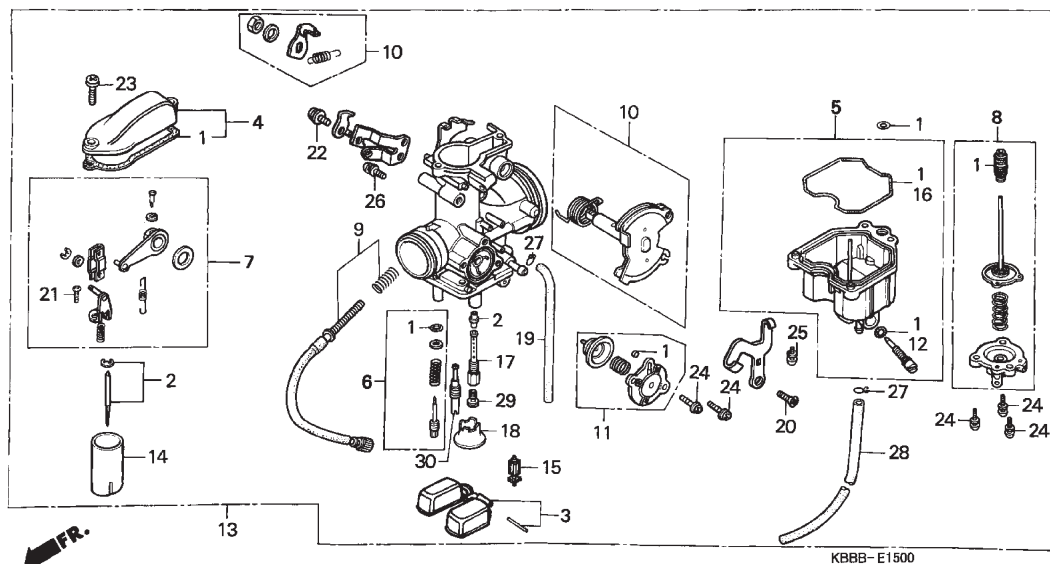
Service Item	F.R.T	Ref. N°	Part No.	Description	Qty. XL200	Serial No.	Note
		19	94510-12000	CIRCLIP, EXTERNAL, 12MM	1
		20	94510-14000	CIRCLIP, EXTERNAL, 14MM	1
		*	90606-KRM-840	CIRCLIP, EXTERNAL, 14MM	1
		21	96220-40100	ROLLER, 4X10.....	1
		*	91102-KPS-900	ROLLER, 4X10.....	1

Elément d'entretien	T.D.R.	No. de réf.	N° de pièce	Description	Q'té néc. XL200	N° de série	Codigo de Area
		19	94510-12000	CIRCLIP EXTERIEUR, 12MM	1
		20	94510-14000	CIRCLIP EXTERIEUR, 14MM	1
		*	90606-KRM-840	CIRCLIP EXTERIEUR, 14MM	1
		21	96220-40100	ROULEAU, 4X10	1
		*	91102-KPS-900	ROULEAU, 4X10	1
Artículo de servicio	THLL	N° de ref.	No. de pieza	Descripción	Cant. Requerida XL200	No. de série	Code de Zone
		19	94510-12000	GRAPA CIRCULAR EXTERNA, 12MM	1
		20	94510-14000	GRAPA CIRCULAR EXTERNA, 14MM	1
		*	90606-KRM-840	GRAPA CIRCULAR EXTERNA, 14MM	1
		21	96220-40100	RODILLO, 4X10	1
		*	91102-KPS-900	RODILLO, 4X10	1



E-15

Carburetor Carburateur Carburador



2



Back
Retour
Volver

Service Item	F.R.T	Ref. N°	Part No.	Description	Qty. XL200	Serial No.	Note
VALVE SET, AIR CUT.....	0.3	1	16010-428-671	GASKET SET.....	1
CHAMBER SET, FLOAT.....	0.4	2	16012-KBB-980	NEEDLE SET, JET.....	1
• TOP SET		*	16012-KBB-981	NEEDLE SET, JET.....	1
• DIAPHRAGM SET, PUMP.....	0.5	*	16012-KBB-870	NEEDLE SET, JET.....	1
FLOAT SET.....	0.6	3	16013-439-921	FLOAT SET.....	1
• JET, MAIN,		4	16014-KZ1-670	TOP SET.....	1
• VALVE COMP., FLOAT		5	16015-KB7-901	CHAMBER SET, FLOAT.....	1
• CARBURETOR ASSY.....	0.7	6	16016-393-701	SCREW SET.....	1
• VALVE, THROTTLE		7	16018-428-671	ARM SET, LINK.....	1
• ARM SET, LINK.....	0.8	8	16021-KBB-951	DIAPHRAGM SET, PUMP.....	1
• LINK SET		9	16028-KBB-951	SCREW SET B.....	1
• NEEDLE SET, JET.....	0.9	10	16032-KBB-900	LINK SET.....	1
		11	16048-KB7-901	VALVE SET, AIR CUT.....	1
		12	16075-GHB-640	O-RING, 1.3X4.3.....	1
		13	16100-KBB-880	CARBURETOR ASSY. (PD9AD A).....	1	2LA
		*	16100-KBB-881	CARBURETOR ASSY. (PD9AD A).....	1	2LA
		*	16100-KBB-871	CARBURETOR ASSY. (PD9AC A).....	1	CL
		*	16100-KBB-980	CARBURETOR ASSY. (PD9AE A).....	1	DK
		*	16100-KBB-951	CARBURETOR ASSY. (PD9AC A).....	1	CL
		*	16100-KBB-981	CARBURETOR ASSY. (PD9AE A).....	1	DK
		14	16111-KBB-951	VALVE, THROTTLE.....	1
		15	16155-397-971	VALVE COMP., FLOAT.....	1
		16	16163-KCS-920	GASKET, FLOAT CHAMBER.....	1
		17	16165-KBB-951	HOLDER, NEEDLE JET.....	1
		18	16168-382-014	HOLDER, JET.....	1
		19	16198-KBB-900	TUBE.....	1

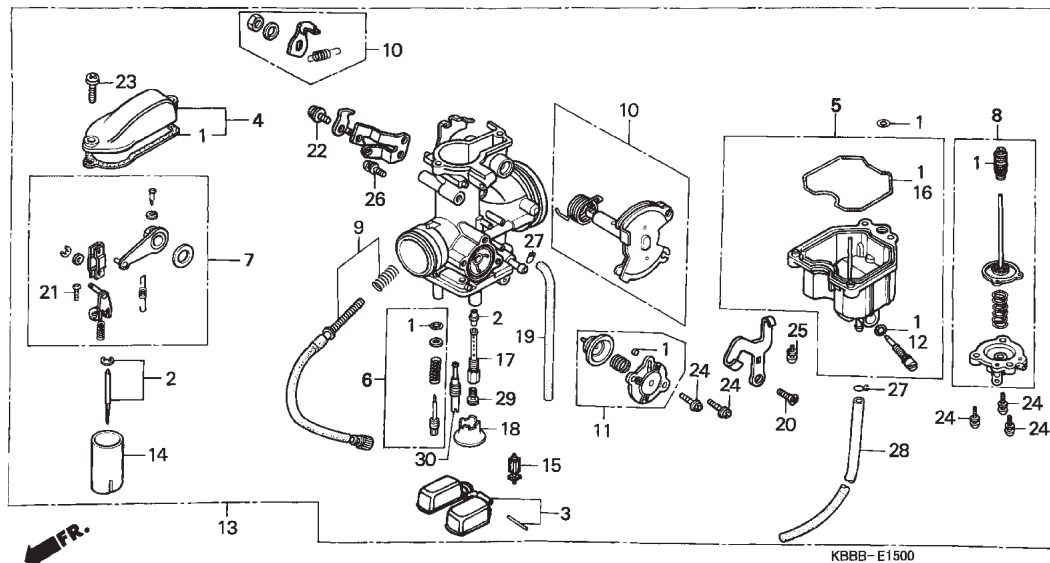
Elément d'entretien	T.D.R.	No. de réf.	N° de pièce	Description	Q'té néc. XL200	N° de série	Codigo de Area
JEU DE SOUPAPE DE COUPURE D'EAU	0.3	1	16010-428-671	JEU DE JOINTS	1		
JEU CUVE FLOTTEUR	0.4	2	16012-KBB-980	JEU DE AIGUILLES DE GICLIEUR	1		
JEU DE DIAPHRAGME DE POMPE	0.5	*	16012-KBB-981	JEU DE AIGUILLES DE GICLIEUR	1		
JEU DE FLOTTEUR	0.6	*	16012-KBB-870	JEU DE AIGUILLES DE GICLIEUR	1		
• SOUPAPE COMP., FLOTTEUR		3	16013-439-921	JEU DE FLOTTEUR	1		
• GICLEUR PRINCIPAL		4	16014-KZ1-670	PARTES SUPERIEURE	1		
ENS , CARBURATEUR.....	0.7	5	16015-KB7-901	JEU CUIVE FLOTTEUR.....	1		
• PAPILLON DE GAZ		6	16016-393-701	JEU DE VIS.....	1		
JEU DE BRAS DE LIAISON	0.8	7	16018-428-671	JEU DE BRAS DE LIAISON	1		
• JEU DE LIAISON		8	16021-KBB-951	JEU DE DIAPHRAGME DE POMPE	1		
JEU DE AIGUILLES DE GICLIEUR	0.9	9	16028-KB9-951	JEU DE VIS B	1		
		10	16032-KBB-900	JEU DE LIAISON	1		
		11	16048-KB7-901	JEU DE SOUPAPE DE COUPURE D'EAU	1		
		12	16075-GHB-640	JOINT TORIQUE, 1,3 X 4,3	1		
		13	16100-KBB-880	ENS. CARBURATEUR (PD9AD A)	1		2LA
		*	16100-KBB-881	ENS. CARBURATEUR (PD9AD A)	1		2LA
		*	16100-KBB-871	ENS. CARBURATEUR (PD9AC A)	1		CL
			16100-KBB-980	ENS. CARBURATEUR (PD9AE A)	1		DK
		*	16100-KBB-951	ENS. CARBURATEUR (PD9AC A)	1		CL
		*	16100-KBB-981	ENS. CARBURATEUR (PD9AE A)	1		DK
		14	16111-KBB-951	PAPILLON DE GAZ.....	1		
		15	16155-397-971	SOUPAPE COMP. FLOTTEUR	1		
		16	16163-KCS-920	JOINT DE CHAMBRE DE FLOTTEUR.....	1		
		17	16165-KBB-951	SUPPORT DE GICLEUR D'AIGUILLES.....	1		
		18	16168-382-014	SUPPORT DE GICLEUR	1		
		19	16198-KBB-900	TUBE	1		
Artículo de servicio	THLL	N° de ref.	No. de pieza	Descripción	Cant. Requerida XL200	No. de série	Code de Zone
JUEGO DE VALVULA, CORTE DE AIRE.....	0.3	1	16010-428-671	JUEGO DE EMPACADURA.....	1		
JUEGO DE CAMARA, FLOTADOR.....	0.4	2	16012-KBB-980	JUEGO DE AGUJAS, SURTIDOR.....	1		
• JUEGO SUPERIOR		*	16012-KBB-981	JUEGO DE AGUJAS, SURTIDOR.....	1		
JUEGO DE DIAFRAGMA, BOMBA	0.5	*	16012-KBB-870	JUEGO DE AGUJAS, SURTIDOR.....	1		
JUEGO DE FLOTADOR	0.6	3	16013-439-921	JUEGO DE FLOTADOR.....	1		
• COMP. DE VALVULA, FLOTADOR		4	16014-KZ1-670	JUEGO SUPERIOR.....	1		
• SURTIDOR PRINCIPAL		5	16015-KB7-901	JUEGO DE CAMARA, FLOTADOR	1		
ENS. DE CARBURADOR	0.7	6	16016-393-701	JUEGO DE TORNILLO	1		
• VALVULA DE ACELERADOR		7	16018-428-671	JUEGO DE BRAZO, ARTICULACION	1		
JUEGO DE BRAZO, ARTICULACION	0.8	8	16021-KBB-951	JUEGO DE DIAFRAGMA, BOMBA	1		
• JUEGO DE VARILLAJE		9	16028-KBB-951	JUEGO DE TORNILLO B.....	1		
JUEGO DE AGUJAS, SURTIDOR	0.9	10	16032-KBB-900	JUEGO DE VARILLAJE	1		
		11	16048-KB7-901	JUEGO DE VALVULA, CORTE DE AIRE	1		
		12	16075-GHB-640	ANILLO O, 1.3X4.3.....	1		
		13	16100-KBB-880	ENS. DE CARBURADOR (PD9AD A)	1		2LA
		*	16100-KBB-881	ENS. DE CARBURADOR (PD9AD A)	1		2LA
		*	16100-KBB-871	ENS. DE CARBURADOR (PD9AC A)	1		CL
			16100-KBB-980	ENS. DE CARBURADOR (PD9AE A)	1		DK
		*	16100-KBB-951	ENS. DE CARBURADOR (PD9AC A)	1		CL
		*	16100-KBB-981	ENS. DE CARBURADOR (PD9AE A)	1		DK
		14	16111-KBB-951	VALVULA DE ACELERADOR	1		
		15	16155-397-971	COMP. DE VALVULA, FLOTADOR	1		
		16	16163-KCS-920	JUEGO DE CAMARA, FLOTADOR	1		
		17	16165-KBB-951	AGARRADERA, SURTIDOR DE AGUJA.....	1		
		18	16168-382-014	AGARRADERA, SURTIDOR	1		
		19	16198-KBB-900	TUBO.....	1		



Back
Retour
Volver

E-15

Carburetor
Carburateur
Carburador



2



Back
Retour
Volver

Service Item	F.R.T	Ref. N°	Part No.	Description	Qty. XL200	Serial No.	Note
		20	93600-05010-1H	SCREW, FLAT, 5X10	1
		21	93892-03008-18	SCREW-WASHER, 3X8	1
		22	93892-04008-18	SCREW-WASHER, 4X8	1
		23	93892-04012-18	SCREW-WASHER, 4X12	2
		24	93892-04014-18	SCREW-WASHER, 4X14	5
		25	93892-04016-18	SCREW-WASHER, 4X16	3
		26	93892-05010-18	SCREW-WASHER, 5X10	1
		27	95002-02659	CLIP, TUBE (B6.5)	2
		28	95005-35360-50	TUBE, 3.5X360 (95005-35001-50M)	1
		29	99101-393-1120	JET, MAIN, #112	1	2LA
		*	99101-GHB-1200	JET, MAIN, #120	1	CL
			99101-393-1150	JET, MAIN, #115	1	DK
					(1)	2LA/CL
		30	99103-440-0420	JET, SLOW, #42	1
		*	99103-KW6-0420	JET, SLOW, #42	1

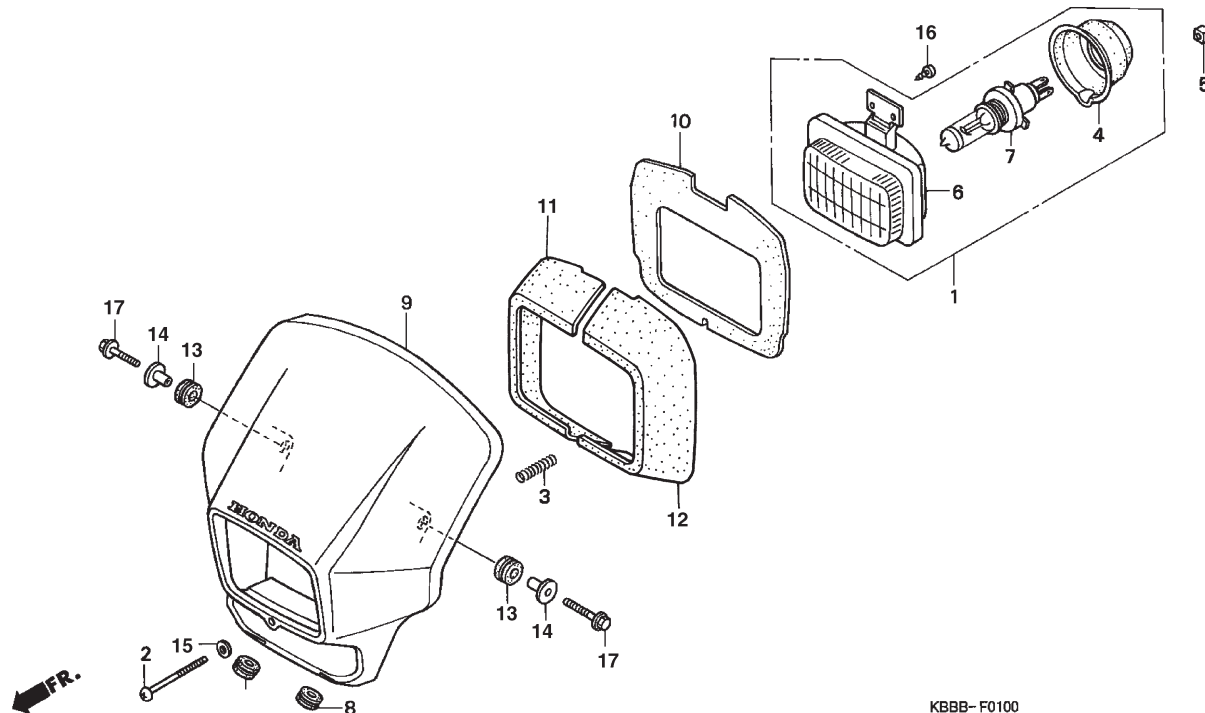
Elément d'entretien	T.D.R.	No. de réf.	N° de pièce	Description	Q'té néc. XL200	N° de série	Codigo de Area
		20	93600-05010-1H	VIS A TETE PLATE, 5X10	1
		21	93892-03008-18	VIS A TETE A RONDELLE, 3X8	1
		22	93892-04008-18	VIS A TETE A RONDELLE, 4X8	1
		23	93892-04012-18	VIS A TETE A RONDELLE, 4 X 12	2
		24	93892 04014-18	VIS A TETE A RONDELLE, 4X14	5
		25	93892-04016-18	VIS A TETE A RONDELLE, 4X16	3
		26	93892-05010-18	VIS A TETE A RONDELLE, 5X10	1
		27	95002-02659	AGRAFE DE TUYAU (B6.5).....	2
		28	95005-35360-50	TUBE, 3.5X360 (95005-35001-50M).....	1
		29	99101-393-1120	GICLEUR PRINCIPAL, #112	1	2LA
		*	99101-GHB-1200	GICLEUR PRINCIPAL, #120	1	CL
			99101-393-1150	GICLEUR PRINCIPAL, #115	1	DK
					(1)	2LA/CL
		30	99103-440-0420	GICLEUR DE RALENTI, #42	1
		*	99103-KW6-0420	GICLEUR DE RALENTI, #42	1

Artículo de servicio	THLL	N° de ref.	No. de pieza	Descripción	Cant. Requerida XL200	No. de série	Code de Zone
		20	93600-05010-1H	TORNILLO DE PLANO, 5X10	1
		21	93892-03008-18	TORNILLO-ARANDELA 3X8	1
		22	93892-04008-18	TORNILLO-ARANDELA 4X8	1
		23	93892-04012-18	TORNILLO-ARANDELA 4X12	2
		24	93892-04014-18	TORNILLO-ARANDELA 4X14	5
		25	93892-04016-18	TORNILLO-ARANDELA 4X16	3
		26	93892-05010-18	TORNILLO-ARANDELA 5X10	1
		27	95002-02659	GRAPA, TUBO (B6.5)	2
		28	95005-35360-50	TUBO, 3.5X360 (95005-35001-50M)	1
		29	99101-393-1120	SURTIDOR PRINCIPAL, #112	1	2LA
		*	99101-GHB-1200	SURTIDOR PRINCIPAL, #120	1	CL
			99101-393-1150	SURTIDOR PRINCIPAL, #115	1	DK
					(1)	2LA/CL
		30	99103-440-0420	SURTIDOR, LENTO, #42	1
		*	99103-KW6-0420	SURTIDOR, LENTO, #42	1



Back
Retour
Volver

F-1 Headlight Projecteur Faro Delantero



Service Item	F.R.T	Ref. N°	Part No.	Description	Qty. XL200	Serial No.	Note
BULB, HEADLIGHT	0.1	1	33100-KBB-901	HEADLIGHT ASSY. (12V 35/35W)	1
HEADLIGHT ASSY.	0.2	2	33103-KBB-900	SCREW, BEAM ADJUSTING.....	1
• HEADLIGHT UNIT .		3	33107-KBB-900	SPRING, BEAM ADJUSTING.....	1
• VISOR SET, FR.		4	33112-KBB-901	COVER, RUBBER	1
		5	33117-KA2-003	NUT, BEAM ADJUSTING(STANLEY).....	1
		6	33120-KBB-901	HEADLIGHT UNIT	1
		7	34901-KW8-900	BULB, HEADLIGHT (12V 35/35W)	1
		8	50142-437-970	GROMMET, SIDE COVER.....	2
		9	61300-KBB-980ZA	VISOR SET, FR. *NH-196* ROSS WHITE	1
			61300-KBB-980ZB	VISOR SET, FR. *R-206* MACEIO RED	1
		10	61302-KBB-900	RUBBER, HEADLIGHT SEAL	1
		11	61303-KBB-900	SHIELD, R. HEADLIGHT.....	1
		12	61304-KBB-900	SHIELD, L. HEADLIGHT.....	1
		13	80101-165-000	RUBBER, RR. FENDER CUSHION	2
		14	90001-961-670	COLLAR, SIDE MOUNTING.....	2
		15	90286-147-670	WASHER, BEAM ADJUSTING.....	1
		16	93901-34210	SCREW, TAPPING, 4X10.....	2
		17	96001-06018-00	BOLT, FLANGE, 6X18	2

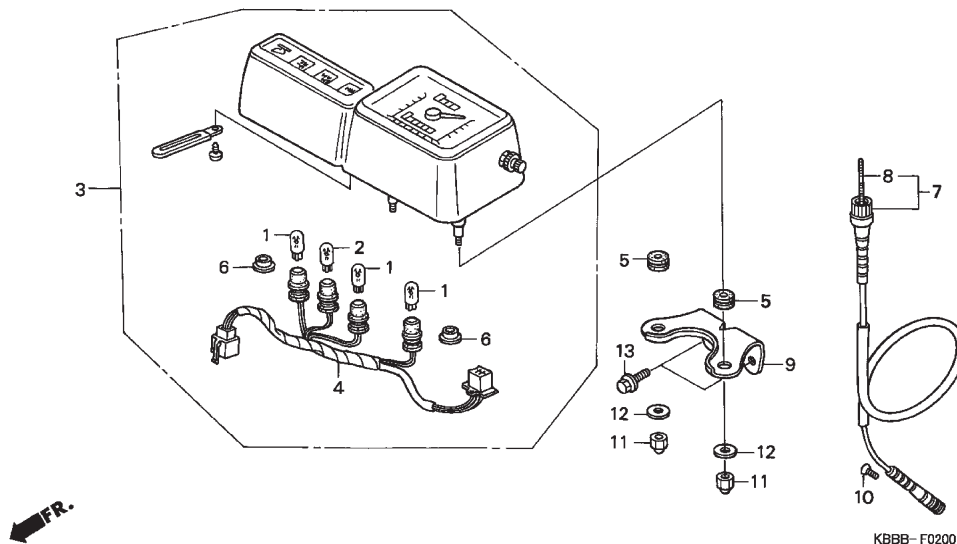
3

Back
Retour
Volver

Elément d'entretien	T.D.R.	No. de réf.	N° de pièce	Description	Q'té néc. XL200	N° de série	Codigo de Area
AMPOULLE DE PHARE.....0.1		1	33100-KBB-901	ENS. PHARE (12V 35/35W).....	1
ENS. PHARE.....0.2		2	33103-KBB-900	VIS DE REGLAGE D'INTENSITE PHARE.....	1
• UNITE DE PHARE		3	33107-KBB-900	RESSORT DE REGLAGE D'INTENSITE PHARE.....	1
• JEU DE VISIERE AV.		4	33112-KBB-901	COUVERCLE DE CAOUTCHOUC.....	1
		5	33117-KA2-003	ECROU DE REGLAGE D'INTENSITE PHARE (STANLEY).....	1
		6	33120-KBB-901	UNITE DE PHARE.....	1
		7	34901-KW8-900	AMPOULE DE PHARE (12V35/350W).....	1
		8	50142-437-970	ANNEAU DE COUVERCLE LATERAL.....	2
		9	61300-KBB-980ZA	JEU DE VISIERE AV. *NH-196* BLANC ROSS.....	1
			61300-KBB-980ZB	JEU DE VISIERE AV. *R-206* ROUGE MACIS.....	1
		10	61302-KBB-900	CAOUTCHOUC DE JOINT DE PHARE.....	1
		11	61303-KBB-900	PROTECTEUR, D. PHARE.....	1
		12	61304-KBB-900	PROTECTEUR, G. PHARE.....	1
		13	80101-165-000	CAOUTCHOUC DE TAMPON DE GARDE BOUE AR.....	2
		14	90001-961-670	COLLIER DE MONTAGE LATERALE.....	2
		15	90286-147-670	RONDELLE DE REGLAGE D'INTENSITE PHARE.....	1
		16	93901-34210	VIS AUTO-TARAUDEUSE, 4X10.....	2
		17	96001-06018-00	BOULON DE BRIDE, 6X18.....	2
Artículo de servicio	THLL	N° de ref.	No. de pieza	Descripción	Cant. Requerida XL200	No. de série	Code de Zone
BOMBILLO, FARO.....0.1		1	33100-KBB-901	ENS. DE FARO (12V 35/35W).....	1
ENS. DE FARO.....0.2		2	33103-KBB-900	TORNILLO DE AJUSTE, PAYO DE LUZ.....	1
• UNIDAD DE FARO		3	33107-KBB-900	RESORTE DE AJUSTE, PAYO DE LUZ.....	1
• JUEGO DE VISERA, DEL		4	33112-KBB-901	CUBIERTA DE GOMA.....	1
		5	33117-KA2-003	TUERCA DE AJUSTE, PAYO DE LUZ (STANLEY).....	1
		6	33120-KBB-901	UNIDAD DE FARO.....	1
		7	34901-KW8-900	BOMBILLO, FARO (12V 35/35W).....	1
		8	50142-437-970	ANILLO, CUBIERTA LATERAL.....	2
		9	61300-KBB-980ZA	JUEGO DE VISERA, DEL. *NH-196* BLANCO ROSS.....	1
			61300-KBB-980ZB	JUEGO DE VISERA, DEL. *R-206* ROJO MACEIO.....	1
		10	61302-KBB-900	CAUCHO DEL SELLO DEL FARO.....	1
		11	61303-KBB-900	CUBRETABLERO, DER. FARO.....	1
		12	61304-KBB-900	CUBRETABLERO, IZO. FARO.....	1
		13	80101-165-000	GOMA, COJIN DE PARAFANGO TRAS.....	2
		14	90001-961-670	COLLAR DE MONTAJE LATERAL.....	2
		15	90286-147-670	ARANDELA DE AJUSTE, PAYO DE LUZ.....	1
		16	93901-34210	TORNILLO, ATERRAJAR, 4X10.....	2
		17	96001-06018-00	PERNO DE REBORDE, 6X18.....	2

F-2

Meter Compteur Indicador



Service Item	F.R.T	Ref. N°	Part No.	Description	Qty. XL200	Serial No.	Note
CABLE, INNER.....	0.1	1	34908-GA7-701	BULB, WEDGE BASE (12V 3.4W)	3
CABLE ASSY., SPEEDOMETER.....	0.2	2	34908-MB9-871	BULB, WEDGE BASE (12V/1.7W)	1
• STAY, SPEEDOMETER		3	37200-KBB-901	SPEEDOMETER ASSY. (KPH)	1
• SOCKET COMP	0.3	4	37223-KBB-901	SOCKET COMP	1
• SPEEDOMETER ASSY.		5	37243-MG2-000	RUBBER, SPEEDOMETER MOUNTING	2
		6	37618-MB2-008	CAP, SPEED ALARM CORD	2
		7	44830-KW8-900	CABLE ASSY., SPEEDOMETER	1
		8	44831-KV2-900	CABLE, INNER	1
		*	44831-KW8-900	CABLE, INNER	1
		9	61317-KBB-900	STAY, SPEEDOMETER	1
		10	93700-05018-0G	SCREW, OVAL, 5X18	1
		11	94021-06000-0S	NUT, CAP, 6MM.....	2
		*	90301-KBB-970	NUT, CAP, 6MM.....	2
		12	94103-06000	WASHER, PLAIN, 6MM	2
		13	95701-06016-00	BOLT, FLANGE, 6X16	2

3



Back
Retour
Volver

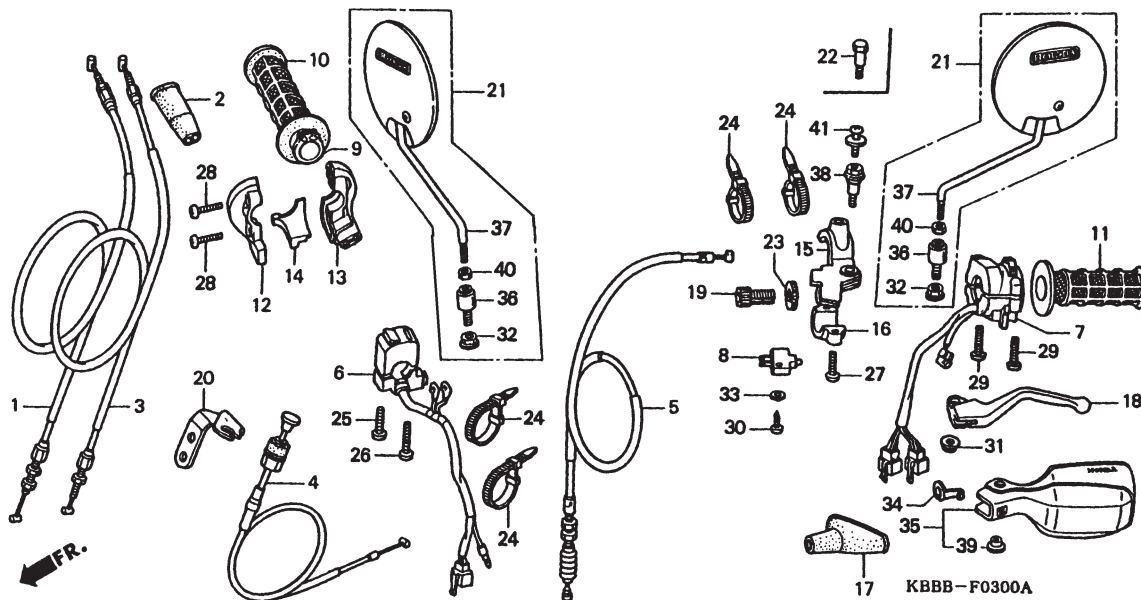
Elément d'entretien	T.D.R.	No. de réf.	N° de pièce	Description	Q'té néc. XL200	N° de série	Codigo de Area
CABLE INTERIEUR	0.1	1	34908-GA7-701	AMPOULE DE BASE DE COIN (12V 3.4W)	3
ENS. CABLE DE COMPTEUR DE VITESSE	0.2	2	34908-MB9-871	AMPOULE DE BASE DE COIN (12V/1.7W)	1
• APPUI DE COMPTEUR DE VITESSE		3	37200-KBB-901	ENS. COMPTEUR DE VITESSE (KPH)	1
DOUILLE COMP	0.3	4	37223-KBB-901	DOUILLE COMP.	1
• ENS. COMPTEUR DE VITESSE		5	37243-MG2-000	CAOUTCHOUC DE MONTAGE DE COMPTEUR DE VITESSE	2
		6	37618-MB2-008	CHAPEAU DE FIL D'ALARME DE VITESSE	2
		7	44830-KW8-900	ENS. CABLE DE COMPTEUR DE VITESSE	1
		8	44831-KV2-900	CABLE INTERIEUR	1
		*	44831-KW8-900	CABLE INTERIEUR	1
		9	61317-KBB-900	APPUI DE COMPTEUR DE VITESSE	1
		10	93700-05018-0G	VIS A TETE OVALE, 5X18	1
		11	94021-06000-0S	ECROU DE CHAPEAU, 6MM	2
		*	90301-KBB-970	ECROU DE CHAPEAU, 6MM	2
		12	94103-06000	RONDELLE PLATE, 6MM	2
		13	95701-06016-00	BOULON DE BRIDE, 6X16	2

Artículo de servicio	THLL	N° de ref.	No. de pieza	Descripción	Cant. Requerida XL200	No. de série	Code de Zone
CABLE, INTERIOR	0.1	1	34908-GA7-701	BOMBILLO, BASE DE CUNA (12V 3.4W)	3
ENS. DE CABLE, VELOCIMETRO	0.2	2	34908-MB9-871	BOMBILLO, BASE DE CUNA (12V/1.7W)	1
• TIRANTE, VELOCIMETRO		3	37200-KBB-901	VELOCIMETRO (KPH)	1
COMP. DE CASQUILLO	0.3	4	37223-KBB-901	COMP. DE CASQUILLO	1
• VELOCIMETRO		5	37243-MG2-000	GOMA, MONTURA DE VELOCIMETRO	2
		6	37618-MB2-008	TAPA, CUERDA D'ALARME DE VELOCIDAD	2
		7	44830-KW8-900	ENS. DE CABLE, VELOCIMETRO	1
		8	44831-KV2-900	CABLE, INTERIOR	1
		*	44831-KW8-900	CABLE, INTERIOR	1
		9	61317-KBB-900	TIRANTE, VELOCIMETRO	1
		10	93700-05018-0G	TORNILLO, OVALADO, 5X18	1
		11	94021-06000-0S	TUERCA, TAPA, 6MM	2
		*	90301-KBB-970	TUERCA, TAPA, 6MM	2
		12	94103-06000	ARANDELA SENCILLA, 6MM	2
		13	95701-06016-00	PERNO DE REBORDE, 6X16	2



F-3

Switch • Cable Commutateur • Cable Interruptor • Cable



3

Back
Retour
Volver

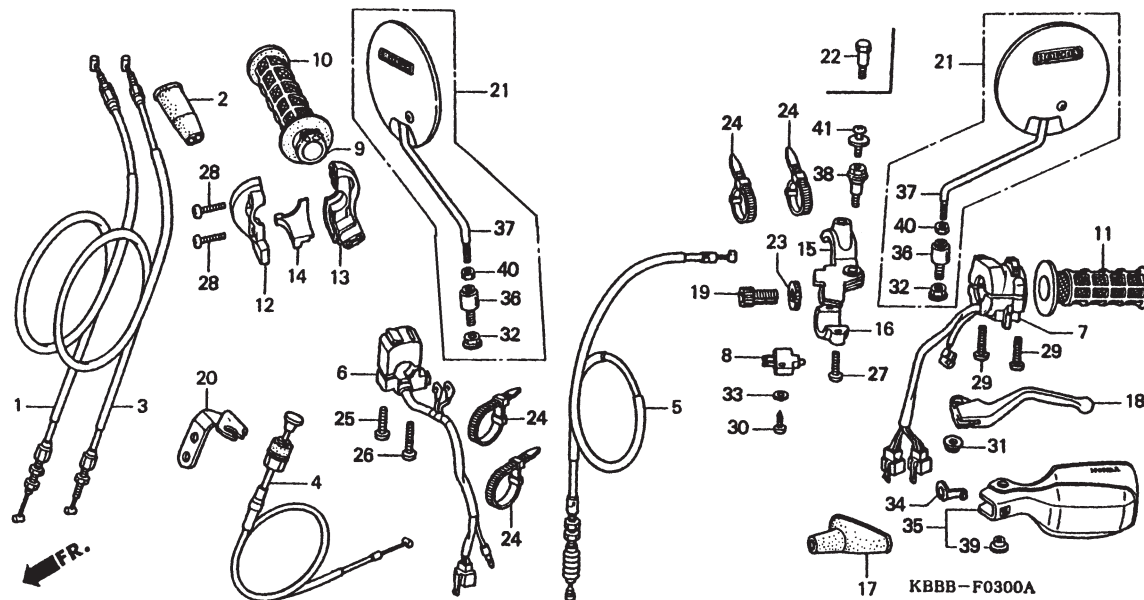
Service Item	F.R.T	Ref. N°	Part No.	Description	Qty. XL200	Serial No.	Note
GRIP, L. HANDLE	0.1	1	17910-KBB-900	CABLE COMP. A, THROTTLE	1		
• LEVER, L. STEERING HANDLE		2	17913-KB7-000	COVER, THROTTLE CABLE	1		
• SWITCH ASSY., CLUTCH		3	17920-KBB-900	CABLE COMP. B, THROTTLE	1		
BRACKET, L. HANDLE LEVER	0.2	4	17950-KBB-900	CABLE COMP., CHOKE	1		
• CABLE COMP., CLUTCH		5	22870-KBB-900	CABLE COMP., CLUTCH	1		
• GRIP, R. HANDLE		6	35130-KBB-900	SWITCH ASSY., STARTER KILL	1		
• HOUSING, 0 UNDER		7	35200-KBB-900	SWITCH ASSY., WINKER	1		
CABLE COMP., CHOKE	0.3		35200-KBB-870	SWITCH ASSY., WINKER	1		CL
• GRIP ASSY., THROTTLE			35200-KBB-871	SWITCH ASSY., WINKER	1		CL
• SWITCH ASSY., STARTER KILL		8	35330-MK5-003	SWITCH ASSY., CLUTCH	1		
CABLE COMP. A, THROTTLE	0.5	9	53140-MK5-010	GRIP ASSY., THROTTLE	1		
(SAME TIME FOR TWO UNITS)		*	53140-MK5-020	GRIP ASSY., THROTTLE	1		
• CABLE COMP. B, THROTTLE		10	53165-MK5-010	GRIP, R. HANDLE	1		
• SWITCH ASSY., WINKER		11	53166-MK5-010	GRIP, L. HANDLE	1		
		12	53167-KAS-900	HOUSING, UPPER THROTTLE	1		
		13	53168-KAS-900	HOUSING, THROTTLE UNDER	1		
		14	53169-KB7-000	SLIDER, THROTTLE CABLE	1		
		15	53172-KS5-700	BRACKET, L. HANDLE LEVER	1		
		*	53172-KRH-D20	BRACKET, L. HANDLE LEVER	1		
		16	53174-KE1-000	HOLDER, L. LEVER BRACKET	1		
		17	53177-KW8-900	COVER, L. HANDLE LEVER	1		
		18	53178-MG7-003	LEVER, L. STEERING HANDLE	1		
		19	53192-268-000	BOLT, WIRE ADJUSTING	1		
		*	53192-KRM-860	BOLT, WIRE ADJUSTING	1		

Elément d'entretien	T.D.R.	No. de réf.	N° de pièce	Description	Q'té néc. XL200	N° de série	Codigo de Area
POIGNEE G.....0.1		1	17910-KBB-900	CABLE COMP. A D'ACCELERATEUR.....	1		
• LEVIER DE GUIDON G.		2	17913-KB7-000	COUVERCLE DE CABLE D'ACCELERATEUR.....	1		
• ENS. INTERRUPTEUR D' EMBRAYAGE		3	17920-KBB-900	CABLE COMP. B D'ACCELERATEUR.....	1		
• SUPPORT DE LEVIER DE GUIDON G.....0.2		4	17950-KBB-900	CABLE COMP. STARTER.....	1		
• CABLE COMP. EMBRAYAGE		5	22870-KBB-900	CABLE COMP. EMBRAYAGE.....	1		
• POIGNEE D.		6	35130-KBB-900	ENS. INTERRUPTEUR DE DEMARRAGE ET D'ARRET.....	1		
• BOITIER INFERIEUR DE GAZ		7	35200-KBB-900	ENS. INTERRUPTEUR DE CLIGNOTANT.....	1		
CABLE COMP. STARTER.....0.3			35200-KBB-870	ENS. INTERRUPTEUR DE CLIGNOTANT.....	1		CL
• ENS. POIGNEE DE GAZ			35200-KBB-871	ENS. INTERRUPTEUR DE CLIGNOTANT.....	1		CL
• ENS. INTERRUPTEUR DE DEMARRAGE ET D' ARRET		8	35330-MK5-003	ENS. INTERRUPTEUR D'EMBRAYAGE.....	1		
CABLE COMP. D' ACCELERATEUR.....0.5		9	53140-MK5-010	ENS. POIGNEE DE GAZ.....	1		
(MEME TEMPS POUR DEUX UNITES)		*	53140-MK5-020	ENS. POIGNEE DE GAZ.....	1		
• CABLE COMP. B D'ACCELERATEUR		10	53165-MK5-010	POIGNEE D.....	1		
• ENS. INTERRUPTEUR DE CLIGNOTANT		11	53166-MK5-010	POIGNEE G.....	1		
		12	53167-KAS-900	BOITIER D'ACCELERATEUR SUPERIEUR.....	1		
		13	53168-KAS-900	BOITIER INFERIEUR DE GAZ.....	1		
		14	53169-KB7-000	COULISSEAU DE CABLE D'ACCELERATEUR.....	1		
		15	53172-KS5-700	SUPPORT DE LEVIER DE GUIDON G.....	1		
		*	53172-KRH-D20	SUPPORT DE LEVIER DE GUIDON G.....	1		
		16	53174-KE1-000	PORTE-SUPPORT DE LEVIER G.....	1		
		17	53177-KW8-900	COUVERCLE DE LEVIER DE GUIDON G.....	1		
		18	53178-MG7-003	LEVIER DE GUIDON G.....	1		
		19	53192-268-000	BOULON DE REGLAGE DE CABLE.....	1		
		*	53192-KRM-860	BOULON DE REGLAGE DE CABLE.....	1		

Artículo de servicio	THLL	N° de ref.	No. de pieza	Descripción	Cant. Requerida XL200	No. de série	Code de Zone
• MANGO, MANUBRIO IZO.....0.1		1	17910-KBB-900	COMP. DE CABLE A, ACELERADOR.....	1		
• PALANCA, MANUBRIO DE DIRECCION IZO.		2	17913-KB7-000	CUBIERTA, CABLE DE ACELERADOR.....	1		
ENS. DE INTERRUPTOR, EMBRAGUE		3	17920-KBB-900	COMP. DE CABLE B, ACELERADOR.....	1		
• COMP. DE CABLE, EMBRAGUE		4	17950-KBB-900	COMP. DE CABLE, ESTRANGULADOR.....	1		
• MANGO, MANUBRIO DER		5	22870-KBB-900	COMP. DE CABLE, EMBRAGUE.....	1		
• CAJA, INFERIOR DE MANDO DE GASES		6	35130-KBB-900	ENS. DE INTERRUPTEUR,			
SOPORTE, PALANCA DE MANUBRIO IZO.....0.2				ARRANQUE /PARADA DE MOTOR.....	1		
COMP. DE CABLE, ESTRANGULADOR.....0.3		7	35200-KBB-900	ENS. DE INTERRUPTOR, LUZ INTERMITENTE.....	1		
• ENS. DE INTERRUPTEUR, ARRANQUE			35200-KBB-870	ENS. DE INTERRUPTOR, LUZ INTERMITENTE.....	1		CL
PARADA DE MOTOR			35200-KBB-871	ENS. DE INTERRUPTOR, LUZ INTERMITENTE.....	1		CL
• ENS. DE PUNO, MANDO DE GASES		8	35330-MK5-003	ENS. DE INTERRUPTOR, EMBRAGUE.....	1		
COMP. DE CABLE A, ACELERADOR.....0.5		9	53140-MK5-010	ENS. DE PUNO, MANDO DE GASES.....	1		
(EL MISMO TIEMPO PARA		*	53140-MK5-020	ENS. DE PUNO, MANDO DE GASES.....	1		
DOS UNIDADES)		10	53165-MK5-010	MANGO, MANUBRIO DER.....	1		
• COMP. DE CABLE B, ACELERADOR		11	53166-MK5-010	MANGO, MANUBRIO IZO.....	1		
• ENS. DE INTERRUPTOR, LUZ INTERMITENTE		12	53167-KAS-900	CAJA, ACELERADOR SUPERIOR.....	1		
		13	53168-KAS-900	CAJA, INFERIOR DE MANDO DE GASES.....	1		
		14	53169-KB7-000	DESIZADOR, CABLE DE ACELERADOR.....	1		
		15	53172-KS5-700	SOPORTE, PALANCA DE MANUBRIO IZO.....	1		
		*	53172-KRH-D20	SOPORTE, PALANCA DE MANUBRIO IZO.....	1		
		16	53174-KE1-000	PORTA-SOPORTE, PALANCA IZO.....	1		
		17	53177-KW8-900	CUBIERTA, PALANCA DE MANUBRIO IZO.....	1		
		18	53178-MG7-003	PALANCA, MANUBRIO DE DIRECCION IZO.....	1		
		19	53192-268-000	PERNO, AJUSTE DE CABLE.....	1		
		*	53192-KRM-860	PERNO, AJUSTE DE CABLE.....	1		

F-3

Switch • Cable
 Commutateur • Cable
 Interruptor • Cable



Service Item	F.R.T	Ref. N°	Part No.	Description	Qtd. XL200	Serial No.	Note
		20	61311-KBB-900	STAY, CHOKE	1		
		21	88110-KBB-900	MIRROR ASSY., BACK	2		
		22	90113-HA6-770	BOLT, HANDLE LEVER PIVOT	1		
		23	90321-315-670	NUT, FIXING	1		
		*	90322-KRM-860	NUT, FIXING	1		
		24	90650-KW3-000	BAND, WIRE	4		
		25	93500-04032-0G	SCREW, PAN, 4X32	1		
		*	90120-KPS-900	SCREW, PAN, 4X32	1		
		26	93500-04045-0G	SCREW, PAN, 4X45	1		
		*	90121-KPS-900	SCREW, PAN, 4X45	1		
		27	93500-05016-0G	SCREW, PAN, 5X16	2		
		28	93500-05018-0G	SCREW, PAN, 5X18	2		
		29	93500-05020-0G	SCREW, PAN, 5X20	2		
		30	93901-32320	SCREW, TAPPING, 3X12	1		
		*	90105-GHR-J40	SCREW, TAPPING, 3X12	1		
		31	94050-06000	NUT, FLANGE, 6MM	1		
		32	94050-10070	NUT, FLANGE, 10MM	2		
		33	94111-03000	WASHER, SPRING, 3MM	1		
		34	53181-KN5-670	PLATE FIXATION PROTECTOR	1		
		*35	53185-KBB-950ZB	GUARDE L., KNUCKLE R. *NH-196* ROSS WHITE	1		
			53185-KBB-980ZB	GUARDE L., KNUCKLE R. *NH-196* ROSS WHITE	1		CL
		*	53185-KBB-950ZF	GUARDE L., KNUCKLE R. *R-206* MACEIÓ RED	1		
			53185-KBB-980ZF	GUARDE L., KNUCKLE R. *R-206* MACEIÓ RED	1		CL
		36	88113-KBA-900	STAY, MIRROR MOUTING	2		
		37	88210-KBB-900	MIRROR, COMP	2		
		38	90113-KW8-900	BOLT, HANDLE LEVER PIVOT	1		

3

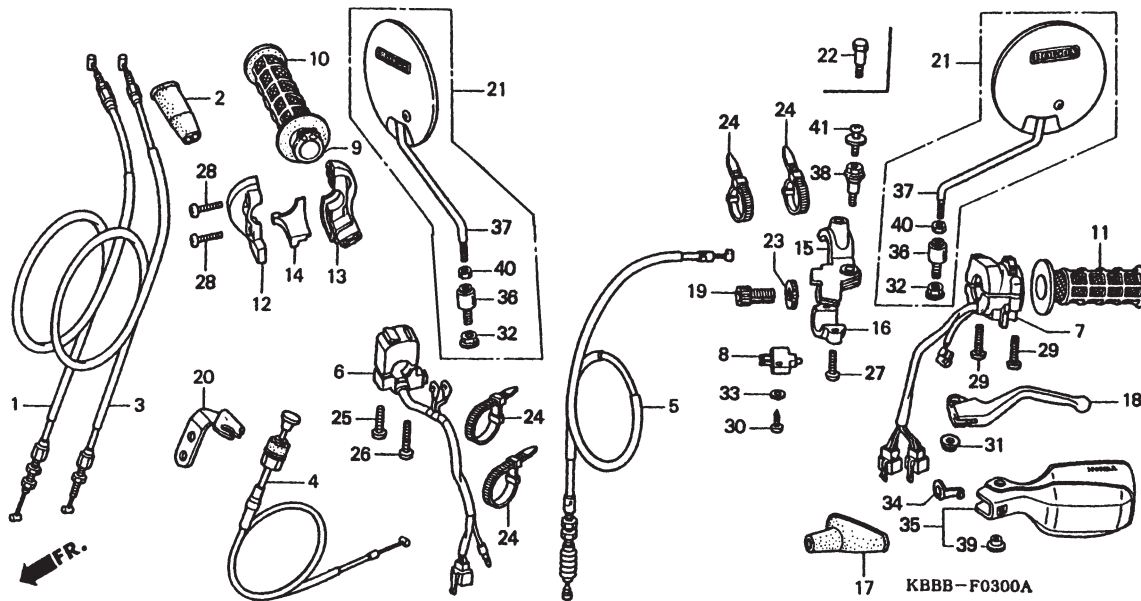
Back
Retour
Volver

Elément d'entretien	T.D.R.	No. de réf.	N° de pièce	Description	Q'té néc. XL200	N° de série	Codigo de Area
		20	61311-KBB-900	APPUI DE STARTER	1		
		21	88110-KBB-900	ENS. RETROVISEUR	2		
		22	90113-HA6-770	BOULON DE PIVOT DE LEVIER POIGNEE	1		
		23	90321-315-670	ECROU DE FIXATION	1		
		*	90322-KRM-860	ECROU DE FIXATION	1		
		24	90650-KW3-000	BANDE DE CABLE	4		
		25	93500-04032-0G	VIS A TETE CYLINDRIQUE, 4X32	1		
		*	90120-KPS-900	VIS A TETE CYLINDRIQUE, 4X32	1		
		26	93500-04045-0G	VIS A TETE CYLINDRIQUE, 4X45	1		
		*	90121-KPS-900	VIS A TETE CYLINDRIQUE, 4X45	1		
		27	93500-05016-0G	VIS A TETE CYLINDRIQUE, 5X16	2		
		28	93500-05018-0G	VIS A TETE CYLINDRIQUE, 5X18	2		
		29	93500-05020-0G	VIS A TETE CYLINDRIQUE, 5X20	2		
		30	93901-32320	VIS AUTO-TARAUDEUSE, 3X12	1		
		*	90105-GHR-J40	VIS AUTO-TARAUDEUSE, 3X12	1		
		31	94050-06000	ECROU DE BRIDE, 6MM	1		
		32	94050-10070	ECROU DE BRIDE, 10MM	2		
		33	94111-03000	RONDELLE ELASTIQUE, 3MM	1		
		34	53181-KN5-670	PLAQUE, PROTECTOR	1		
		*35	53185-KBB-950ZB	GARDE DE GENOVILLER G. *NH-196* BLANC ROSS	1		
		*	53185-KBB-980ZB	GARDE DE GENOVILLER G. *NH-196* BLANC ROSS	1		CL
		*	53185-KBB-950ZF	GARDE DE GENOVILLER G. *R-206* ROUGE MACEIÓ	1		
		*	53185-KBB-980ZF	GARDE DE GENOVILLER G. *R-206* ROUGE MACEIÓ	1		CL
		36	88113-KBA-900	APPUI ENS. RETROVISEUR	2		
		37	88210-KBB-900	ENS. RETROVISOR	2		
		38	90113-KW8-900	BOULON DE PIVOT DE LEVIER POIGNEE	1		
Artículo de servicio	THLL	N° de ref.	No. de pieza	Descripción	Cant. Requerida XL200	No. de série	Code de Zone
		20	61311-KBB-900	APOYO DE ESTRANGULACION	1		
		21	88110-KBB-900	ENS. DE RETROVISOR	2		
		22	90113-HA6-770	PERNO, PIVOTE DE PALANCA DE MANUBRIO	1		
		23	90321-315-670	TUERCA DE FIJACION	1		
		*	90322-KRM-860	TUERCA DE FIJACION	1		
		24	90650-KW3-000	BANDA, ALAMBRE	4		
		25	93500-04032-0G	TORNILLO ALOMADO, 4X32	1		
		*	90120-KPS-900	TORNILLO ALOMADO, 4X32	1		
		26	93500-04045-0G	TORNILLO ALOMADO, 4X45	1		
		*	90121-KPS-900	TORNILLO ALOMADO, 4X45	1		
		27	93500-05016-0G	TORNILLO ALOMADO, 5X16	2		
		28	93500-05018-0G	TORNILLO ALOMADO, 5X18	2		
		29	93500-05020-0G	TORNILLO ALOMADO, 5X20	2		
		30	93901-32320	TORNILLO, ATERRAJAR, 3X12	1		
		*	90105-GHR-J40	TORNILLO, ATERRAJAR, 3X12	1		
		31	94050-06000	TUERCA DE REBORDE, 6MM	1		
		32	94050-10070	TUERCA DE REBORDE, 10MM	2		
		34	53181-KN5-670	PLACA, FIJACION PROTECTOR	1		
		*35	53185-KBB-950ZB	PROTECTOR, PALANCA IZQUIERDA *NH-196* BLANCO ROSS	1		
		*	53185-KBB-980ZB	PROTECTOR, PALANCA IZQUIERDA *NH-196* BLANCO ROSS	1		CL
		*	53185-KBB-950ZF	PROTECTOR, PALANCA IZQUIERDA G. *R-206* ROJO MACEIÓ	1		
		*	53185-KBB-980ZF	PROTECTOR, PALANCA IZQUIERDA *R-206* ROJO MACEIÓ	1		CL
		36	88113-KBA-900	SOPORTE, ESPEJO RETROVISOR	2		
		37	88210-KBB-900	ESPEJO RETROVISOR	2		
		38	90113-KW8-900	PERNO, PIVOTE DE PALANCA DE MANUBRIO	1		



F-3

Switch • Cable
 Commutateur • Cable
 Interruptor • Cable



Service Item	F.R.T	Ref. N°	Part No.	Description	Qty. XL200	Serial No.	Note
		39	90127-KF0-770	BUSH, 6X4.....	1
		40	90301-KBA-900	NUT, LOCK (LEFT HAND THREAD)	2	CL
		41	93894-05010-17	SCREW, PAN, 5X10	1

3

Back
 Retour
 Volver

Elément d'entretien	T.D.R.	No. de réf.	N° de pièce	Description	Q'té néc. XL200	N° de série	Codigo de Area
		39	90127-KF0-770	ECROU, 6X4	1
		40	90301-KBA-900	ECROU (LEFT HAND THREAD).....	2	CL
		41	93894-05010-17	VIS A TETE CYLINDER, 5X10.....	1
Artículo de servicio	THLL	N° de ref.	No. de pieza	Descripción	Cant. Requerida XL200	No. de série	Code de Zone
		39	90127-KF0-770	BUJE, 6X4	1
		40	90301-KBA-900	TUERCA TRABA (LEFT HAND THREAD)	2	CL
		41	93894-05010-17	TORNILLO, ALOMADO, 5X10	1

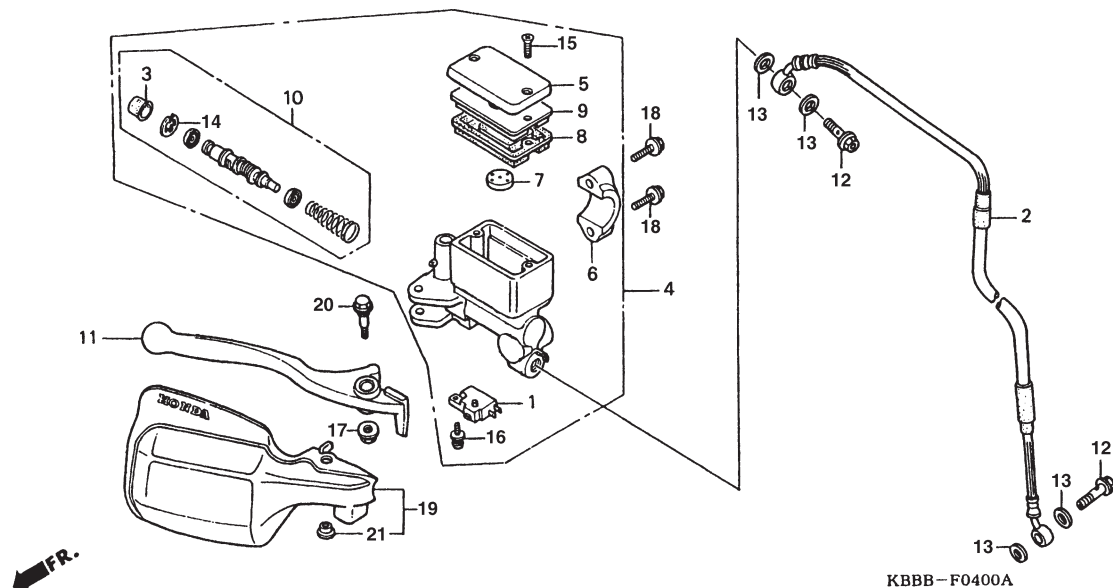
3



Back
Retour
Volver

F-4

FR. Brake Master Cylinder Maitre Cylindre Frein Av. Cilindro Maestro de Freno



Service Item	F.R.T	Ref. N°	Part No.	Description	Qty. XL200	Serial No.	Note
DIAPHRAGM	0.1	1	35340-MA5-671	SWITCH ASSY., FR. STOP	1
• LEVER, R. STEERING HANDLE		2	45125-KBB-981	HOSE COMP., FR. BRAKE	1
• SWITCH ASSY., FR. STOP		3	45504-410-003	BOOT COMP	1
CYLINDER SET, MASTER	0.4	4	45510-KBB-305	CYLINDER SUB ASSY., FR. MASTER	1
• CYLINDER SUB ASSY., FR. MASTER		5	45513-KV2-900	CAP, MASTER CYLINDER	1
		*	45513-KV2-901	CAP, MASTER CYLINDER	1
		6	45517-166-006	HOLDER, MASTER CYLINDER	1
		7	45518-MG3-016	SEPARATOR COMP	1
		8	45520-MG7-006	DIAPHRAGM	1
		9	45521-HA2-006	PLATE, DIAPHRAGM	1
		10	45530-KJ1-702	CYLINDER SET, MASTER	1
		11	53175-KV2-900	LEVER, R. STEERING HANDLE	1
		12	90145-MS9-612	BOLT, OIL, 10X22	2
		13	90545-300-000	WASHER, OIL BOLT	4
		14	90651-MA5-671	CIRCLIP	1
		15	93600-04012-1G	SCREW, FLAT, 4X12	2
		16	93893-04012-17	SCREW-WASHER, 4X12	1
		17	94050-06000	NUT, FLANGE, 6MM	1
		18	96001-06022-07	BOLT, FLANGE, 6X22	2
		19	53180-KV2-900ZE	GUARD, R. KNUCKLE *NH-196* ROSS WHITE	1
		*	53180-KBB-980ZA	GUARD, R. KNUCKLE *NH-196* ROSS WHITE	1	CL
			53180-KV2-900ZM	GUARD, R. KNUCKLE *R-206* RED MACEIÓ	1
		*	53180-KBB-980ZB	GUARD, R. KNUCKLE *R-206* RED MACEIÓ	1	CL
		20	90113-KF0-770	BOLT, HANDLE LEVER PIVOT	1
		21	90127-KF0-770	BUSH, 6X4	1

3



Back
Retour
Volver

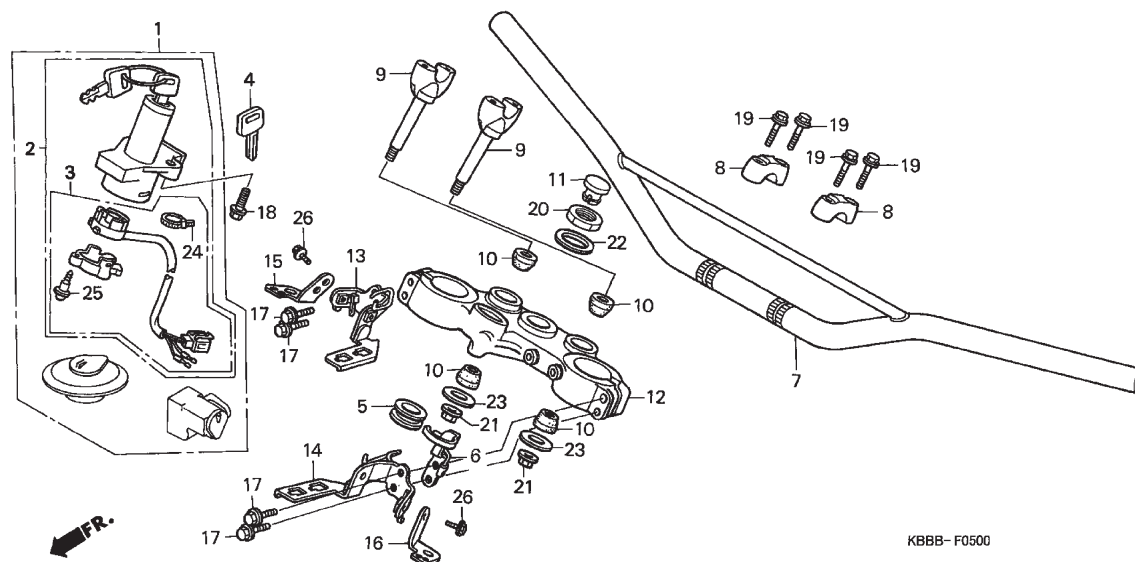
Elément d'entretien	T.D.R.	No. de réf.	N° de pièce	Description	Q'té néc. XL200	N° de série	Codigo de Area
DIAPHRAGME0.1		1	35340-MA5-671	ENS. INTERRUPTEUR D'ARRET AV.	1		
• LEVIER DE GUIDON D.		2	45125-KBB-981	DURITE COMP. FREIN AV.	1		
• ENS. INTERRUPTEUR D'ARRET AV		3	45504-410-003	SOUFFLET COMP.	1		
JEU DE MAITRE CYLINDRE.....0.4		4	45510-KBB-305	ENS. SECONDAIRE DE CYLINDRE, MAITRE AV.....	1		
• ENS. SECONDAIRE DE CYLINDRE, MAITRE AV.		5	45513-KV2-900	CHAPEAU DE MAITRE CYLINDRE	1		
• DURITE COMP. FREIN AV		*	45513-KV2-901	CHAPEAU DE MAITRE CYLINDRE	1		
		6	45517-166-006	SUPPORT DE MAITRE CYLINDRE	1		
		7	45518-MG3-016	SEPARATEUR COMP.	1		
		8	45520-MG7-006	DIAPHRAGME	1		
		9	45521-HA2-006	PLAQUE DE DIAPHRAGME	1		
		10	45530-KJ1-702	JEU DE MAITRE CYLINDRE	1		
		11	53175-KV2-900	LEVIER DE GUIDON D.	1		
		12	90145-MS9-612	BOULON D'HUILE, 10X22	2		
		13	90545-300-000	RONDELLE DE BOULON D'HUILE.....	4		
		14	90651-MA5-671	CIRCLIP	1		
		15	93600-04012-1G	VIS A TETE PLATE, 4X12	2		
		16	93893-04012-17	VIS A TETE A RONDELLE, 4X12	1		
		17	94050-06000	ECROU DE BRIDE, 6MM	1		
		18	96001-06022-07	BOULON DE BRIDE, 6X22.....	2		
		19	53180-KV2-900ZE	GARDE DE GENOVILLERE D. *NH-196* BLANC ROSS	1		
		*	53180-KBB-980ZA	GARDE DE GENOVILLERE D. *NH-196* BLANC ROSS	1		CL
			53180-KV2-900ZM	GARDE DE GENOVILLERE D. *R-206* ROUGE MACIS	1		
		*	53180-KBB-980ZB	GARDE DE GENOVILLERE D. *R-206* ROUGE MACIS	1		CL
		20	90113-KF0-770	BOULON DE PIVOT DE LEVIER POIGNEE	1		
		21	90127-KF0-770	ECROU, 6X4	1		
Artículo de servicio	THLL	N° de ref.	No. de pieza	Descripción	Cant. Requerida XL200	No. de série	Code de Zone
DIAFRAGMA.....0.1		1	35340-MA5-671	ENS. DE INTERRUPTOR, PARADAS DEL.....	1		
• PALANCA, MANUBRIO DE DIRECCION DER.		2	45125-KBB-981	COMP. DE MANGUERA, FRENO DEL.....	1		
• ENS. DE INTERRUPTOR, PARADAS DEL.		3	45504-410-003	COMP. DE ZAPATA.....	1		
COMP. DE MANGUERA, FRENO DEL.....0.4		4	45510-KBB-305	SUBGRUPO DE CILINDRO MAESTRO DEL.....	1		
• SUBGRUPO DE CILINDRO MAESTRO DEL.		5	45513-KV2-900	TAPA, CILINDRO MAESTRO	1		
• JUEGO DE CILINDRO MAESTRO		*	45513-KV2-901	TAPA, CILINDRO MAESTRO	1		
		6	45517-166-006	SOPORTE, CILINDRO MAESTRO.....	1		
		7	45518-MG3-016	COMP. DE SEPARADOR	1		
		8	45520-MG7-006	DIAFRAGMA	1		
		9	45521-HA2-006	PLACA DE DIAFRAGMA	1		
		10	45530-KJ1-702	JUEGO DE CILINDRO MAESTRO.....	1		
		11	53175-KV2-900	PALANCA, MANUBRIO DE DIRECCION DER.....	1		
		12	90145-MS9-612	PERNO, ACEITE, 10X22	2		
		13	90545-300-000	ARANDELA, PERNO DE ACEITE	4		
		14	90651-MA5-671	GRAPA CIRCULAR	1		
		15	93600-04012-1G	TORNILLO DE PLANO, 4X12	2		
		16	93893-04012-17	TORNILLO-ARANDELA 4X12	1		
		17	94050-06000	TUERCA DE REBORDE, 6MM	1		
		18	96001-06022-07	PERNO DE REBORDE, 6X22	2		
		19	53180-KV2-900ZE	PROTECTOR, PALANCA DERECHA *NH-196* BLANCO ROSS	1		
		*	53180-KBB-980ZA	PROTECTOR, PALANCA DERECHA *NH-196* BLANCO ROSS	1		CL
			53180-KV2-900ZM	PROTECTOR, PALANCA DERECHA *R-206* ROUGE MACIS	1		
		*	53180-KBB-980ZB	PROTECTOR, PALANCA DERECHA *R-206* ROUGE MACIS	1		CL
		20	90113-KF0-770	PERNO, PIVOTE DE PALANCA DE MANUBRIO	1		
		21	90127-KF0-770	BUJE, 6X4	1		

F-5

Handle Pipe • Top Bridge

Tuyau de Guidon • Pont Supérieur

Tuberia de Manija • Puente Superior



KBBB-F0500

Service Item	F.R.T	Ref. N°	Part No.	Description	Qty. XL200	Serial No.	Note
HOLDER, HANDLE UNDER0.2 (INC. RELATIVE PART)		1	35010-KBB-900	KEY SET.....	1		
PIPE, STEERING HANDLE0.4		2	35100-KBB-900	SWITCH ASSY., COMBINATION & LOCK	1		
BASE COMP., CONTACT0.5		3	35101-KBB-900	BASE COMP., CONTACT	1		
• BRIDGE, FORK TOP		4	35121-KW8-920	KEY, BLANK (TYPE 1).....	(1)		
• SWITCH ASSY., COMBINATION & LOCK		5	45466-KA4-000	INNER, CABLE GUIDE	1		
KEY SET0.7		6	45469-KBB-900	GUIDE COMP., BRAKE HOSE TOP	1		
		7	53100-KBB-930ZC	PIPE, STEERING HANDLE *NH146M* ACCURATE SILVER METALLIC.....	1		
		8	53131-KBB-950ZA	HOLDER, UPPER *NH146M* ACCURATE SILVER METALLIC	2		
		9	53132-KBB-950	HOLDER, HANDLE UNDER	2		
		10	53133-237-680	RUBBER, HANDLE CUSHION.....	4		
		11	53208-KCH-900	CAP, STEERING STEM.....	1		
		12	53230-KBB-950	BRIDGE, FORK TOP	1		
		13	61313-KBB-900	STAY, R. HEADLIGHT CASE	1		
		14	61314-KBB-900	STAY, L. HEADLIGHT CASE.....	1		
		15	61315-KBB-900	STAY, R. FR. WINKER	1		
		16	61316-KBB-900	STAY, L. FR. WINKER	1		
		17	90103-KB7-000	BOLT, FLANGE, 8X45.	4		
		18	90105-KBB-900	BOLT, COMBINATION SWITCH SETTING.....	2		
		19	90111-362-000	BOLT, FLANGE, 8X36	4		

3



Back
Retour
Volver

Elément d'entretien	T.D.R.	No. de réf.	N° de pièce	Description	Q'té néc. XL200	N° de série	Codigo de Area
SUPPORT SUPERIEUR DE GUIDON).....0.2		1	35010-KBB-900	JEU DE CLEF	1		
(PIECES RELATIVES Y COMPRISAS)		2	35100-KBB-900	CONTACTEUR, COMBINE ET VERROUILLAGE	1		
TUYAU DE GUIDON DE DIRECTION0.4		3	35101-KBB-900	BASE COMP. CONTACT	1		
BASE COMP. CONTACT0.5		4	35121-KW8-920	CLEF DE BLANC (TYPE 1)	(1)		
• HAUT DE FOURCHE		5	45466-KA4-000	GUIDE DE CABLE INTERIEUR	1		
• CONTACTEUR, COMBINE ET VERROUILLAGE		6	45469-KBB-900	GUIDE COMP., HAUT FLEXIBLE DE FREIN	1		
JEU DE CLEF0.7		7	53100-KBB-930ZC	TUYAU DE GUIDON DE DIRECTION *NH146M* ARGENTE PRECIS METALLIQUE.....	1		
		8	53131-KBB-950ZA	SUPPORT SUPERIEUR *NH146M* ARGENTE PRECIS METALLIQUE.....	2		
		9	53132-KBB-950	SUPPORT SUPERIEUR DE GUIDOM.....	2		
		10	53133-237-680	CAOUTCHOUC DE TAMPON DE POIGNEE	4		
		11	53208-KCH-900	BOUCHON DE TIGE DE DIRECTION	1		
		12	53230-KBB-950	HAUT DE FOURCHE	1		
		13	61313-KBB-900	APPUI DE BOITIER DE PHARE D.	1		
		14	61314-KBB-900	APPUI DE BOITIER DE PHARE G.	1		
		15	61315-KBB-900	APPUI DE CLIGNOTANT AV. D.....	1		
		16	61316-KBB-900	APPUI DE CLIGNOTANT AV. G.....	1		
		17	90103-KB7-000	BOULON DE BRIDE, 8X45.....	4		
		18	90105-KBB-900	BOULON DE FYXATION D'INTERRUPTEUR COMBINNE.....	2		
		19	90111-362-000	BOULON DE BRIDE, 8X36.....	4		
Artículo de servicio	THLL	N° de ref.	No. de pieza	Descripción	Cant. Requerida XL200	No. de série	Code de Zone
SOPORTE, SUPERIOR DE MANUBRIO0.2		1	35010-KBB-900	JUEGO DE LLAVES.....	1		
(INCLUSIVE PIEZAS RELACIONADAS)		2	35100-KBB-900	ENS. INTERRUPTOR, COMBINACION Y CIERRE	1		
TUBO, MANUBRIO DE LA DIRECCION.....0.4		3	35101-KBB-900	COMP. DE BASE, CONTACTO	1		
ENS. INTERRUPTOR, COMBINACION Y CIERRE.....		4	35121-KW8-920	LLAVE, CIEGA (TIPO 1)	(1)		
COMP. DE BASE, CONTACTO.....0.5		5	45466-KA4-000	GUIA DE CABLE INTERNO	1		
• PUENTE, SUPERIOR DE HORQUILLA		6	45469-KBB-900	GUIA COMP., MANGUERA FRENO SUPERIOR.....	1		
JUEGO DE LLAVES0.7		7	53100-KBB-930ZC	TUBO, MANUBRIO DE LA DIRECCION *NH146M* PLATEADO METALICO PERFECTO	1		
		8	53131-KBB-950ZA	SOPORTE SUPERIOR *NH146M* PLATEADO METALICO PERFECTO	2		
		9	53132-KBB-950	SOPORTE, SUPERIOR DE MANUBRIO.....	2		
		10	53133-237-680	GOMA, COJIN DE MANGO	4		
		11	53208-KCH-900	TAPA, VARILLA DE DIRECCION	1		
		12	53230-KBB-950	PUENTE, SUPERIOR DE HORQUILLA.....	1		
		13	61313-KBB-900	TIRANTE, CAJA DE FARO DER.	1		
		14	61314-KBB-900	TIRANTE, CAJA DE FARO IZO.....	1		
		15	61315-KBB-900	TIRANTE, LUZ INTERMITENTE DER. DEL.....	1		
		16	61316-KBB-900	TIRANTE, LUZ INTERMITENTE IZO. DEL.....	1		
		17	90103-KB7-000	PERNO DE REBORDE, 8X45	4		
		18	90105-KBB-900	PERNO, FIJACION DE INTERRUPTOR DE COMBINACION ..	2		
		19	90111-362-000	PERNO DE REBORDE, 8X36	4		

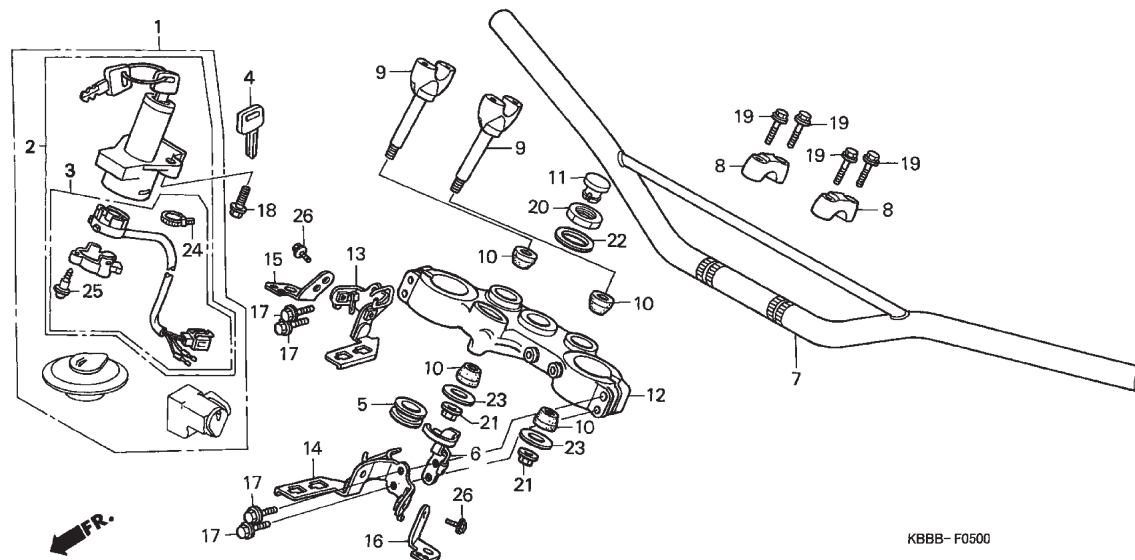


F-5

Handle Pipe • Top Bridge

Tuyau de Guidon • Pont Supérieur

Tuberia de Manija • Puente Superior



Service Item	F.R.T	Ref. N°	Part No.	Description	Qty. XL200	Serial No.	Note
		20	90304-425-000	NUT, STEERING STEM	1
		21	90309-KF0-003	NUT, FLANGE, 8MM	2
		22	90503-425-000	WASHER, STEERING STEM	1
		23	90535-292-000	WASHER, HANDLE CUSHION.....	2
		24	91058-MG9-681	BAND, SELF LOCK	1
		25	91059-MK4-601	SCREW, TAPPING, 3X16.....	3
			91059-KY2-711	SCREW, TAPPING, 3X16.....	3
		26	95701-06010-07	BOLT, FLANGE, 6X10	2

3



Back
Retour
Volver

Elément d'entretien	T.D.R.	No. de réf.	N° de pièce	Description	Q'té néc. XL200	N° de série	Codigo de Area
		20	90304-425-000	ECROU DE TIGE DE DIRECTION	1
		21	90309-KF0-003	ECROU DE BRIDE, 8MM	2
		22	90503-425-000	RONDELLE DE TIGE DE DIRECTION	1
		23	90535-292-000	RONDELLE DE TAMPON DE POIGNEE	2
		24	91058-MG9-681	BANDE D'AUTO-BLOCAGE	1
		25	91059-MK4-601	VIS AUTO-TARAUDEUSE, 3X16	3
			91059-KY2-711	VIS AUTO-TARAUDEUSE, 3X16	3
		26	95701-06010-07	BOULON DE BRIDE, 6X10	2
Artículo de servicio	THLL	N° de ref.	No. de pieza	Descripción	Cant. Requerida XL200	No. de série	Code de Zone
		20	90304-425-000	TUERCA, VARILLA DE DIRECCION	1
		21	90309-KF0-003	TUERCA DE REBORDE, 8MM	2
		22	90503-425-000	ARANDELA, VARILLA DE DIRECCION	1
		23	90535-292-000	ARANDELA, COJIN DE MANUBRIO	2
		24	91058-MG9-681	BANDA, AUTO-CERRADURA	1
		25	91059-MK4-601	TORNILLO, ATERRAJAR, 3X16	3
			91059-KY2-711	TORNILLO, ATERRAJAR, 3X16	3
		26	95701-06010-07	PERNO DE REBORDE, 6X10	2

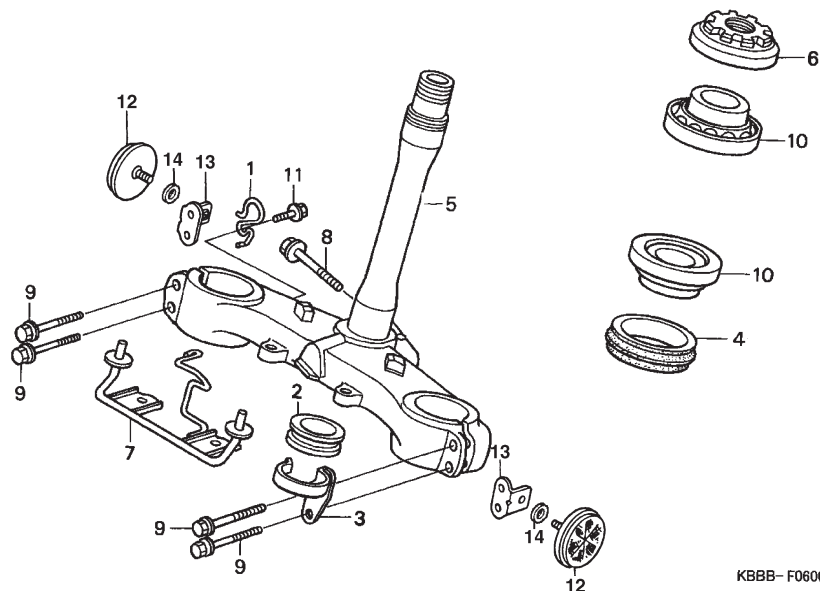


F-6

Steering Stem

Tige de Direction

Vastago de Direccion



3

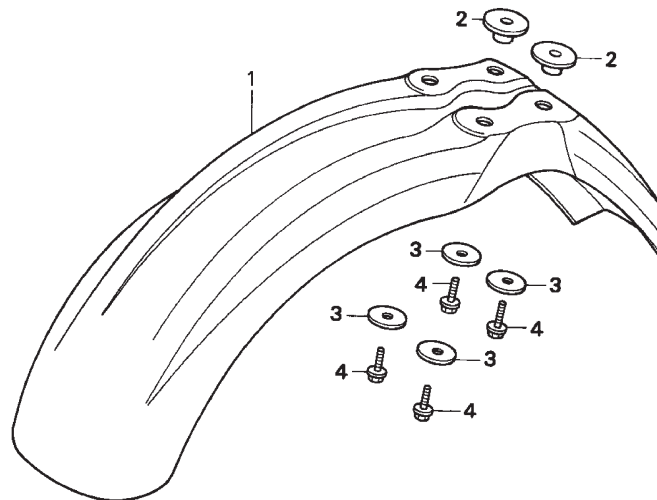
Back
Retour
Volver

Service Item	F.R.T	Ref. N°	Part No.	Description	Qty. XL200	Serial No.	Note
THREAD ASSY., STEERING	0.4	1	45465-KBB-900	GUIDE, SPEEDOMETER CABLE	1
BEARING, HEAD PIPE	1.0	2	45466-KA4-000	INNER, CABLE GUIDE	1
(SAME TIME FOR TWO UNITS)		3	45468-KBB-900	GUIDE, BRAKE HOSE BOTTOM	1
• STEM SUB ASSY., STEERING		4	53214-KA4-701	DUST SEAL, STEERING HEAD (ARAI)	1
		5	53200-KBB-950	STEM SUB ASSY., STEERING	1
		6	53220-KA2-000	THREAD ASSY., STEERING	1
		7	61318-KFC-900	STAY, FR. VISOR LOWER	1
		8	90086-444-000	BOLT, FLANGE, 10X45	1
		9	90103-KB7-000	BOLT, FLANGE, 8X45	4
		10	91015-KV6-003	BEARING, HEAD PIPE (NTN)	2
		11	95701-06012-00	BOLT, FLANGE, 6X12	1
		12	33742-HB9-641	REFLEX, FR	2	CL
		13	45467-KL4-670	STAY, FR. REFLECTOR	2	CL
		14	91414-671-000	WASHER, 20MM	2	CL

Elément d'entretien	T.D.R.	No. de réf.	N° de pièce	Description	Q'té néc. XL200	N° de série	Codigo de Area
ENS. ECROU DE DIRETION.....0.4		1	45465-KBB-900	GUIDE DE CABLE DE COMPTEUR VITESSE.....	1
ROULEMENT DE TUYAU PRINCIPAL.....1.0		2	45466-KA4-000	GUIDE DE CABLE INTERIOR.....	1
(MEME TEMPS POUR DEUX UNITES)		3	45468-KBB-900	GUIDE INFERIEURE DE DURITE DE FREIN.....	1
• SOUS ENS. DE TIGE, DIRECTION		4	53214-KA4-701	CACHE-POUSSIERE DE TETE DIRECTION (ARAI).....	1
		5	53200-KBB-950	SOUS ENS. DE TIGE, DIRECTION.....	1
		6	53220-KA2-000	ENS.ECROU DE DIRECTION.....	1
		7	61318-KFC-900	APPUI INFERIEUR DE VISIERE AV.....	1
		8	90086-444-000	BOULON DE BRIDE, 10X45.....	1
		9	90103-KB7-000	BOULON DE BRIDE, 8X45.....	4
		10	91015-KV6-003	ROULEMENT DE TUYAU PRINCIPAL (NTN).....	2
		11	95701-06012-00	BOULON DE BRIDE, 6X12.....	1
		12	33742-HB9-641	CATA PHOTE AV.....	2	CL
		13	45467-KL4-670	AAPUÍ,CATA PHOTE.....	2	CL
		14	91414-671-000	RONDELLE, 20MM.....	2	CL
Artículo de servicio	THLL	N° de ref.	No. de pieza	Descripción	Cant. Requerida XL200	No. de série	Code de Zone
ENS. DE TUERCA, DIRECCION.....0.4		1	45465-KBB-900	GUIA, CABLE DE VELOCIMETRO.....	1
COJINETE, TUBO PRINCIPAL.....1.0		2	45466-KA4-000	GUIA DE CABLE INTERNO.....	1
(EL MISMO TIEMPO PARA DOS UNIDADES)		3	45468-KBB-900	GUIA, INFERIOR DE MANGUERA DE FRENO.....	1
• ENS. SECUNDARIO DE VAPOR DE		4	53214-KA4-701	GUARDAPOLVO, CABEZAL DE DIRECCION (ARAI).....	1
		5	53200-KBB-950	ENS. SECUNDARIO DE VAPOR DE DIRECCION.....	1
		6	53220-KA2-000	ENS. DE TUERCA, DIRECCION.....	1
		7	61318-KFC-900	TIRANTE, INFERIOR DE VISERA DEL.....	1
		8	90086-444-000	PERNO DE REBORDE, 10X45.....	1
		9	90103-KB7-000	PERNO DE REBORDE, 8X45.....	4
		10	91015-KV6-003	COJINETE, TUBO PRINCIPAL (NTN).....	2
		11	95701-06012-00	PERNO DE REBORDE, 6X12.....	1
		12	33742-HB9-641	REFLECTOR LUMINOSO.....	2	CL
		13	45467-KL4-670	SOPORTE, REFLECTOR.....	2	CL
		14	91414-671-000	ARANDELA, 20MM.....	2	CL

F-7

Front Fender Garde-Boue Av Parafango Delantero



KBBB-F0700

Service Item	F.R.T	Ref. N°	Part No.	Description	Qty. XL200	Serial No.	Note
FENDER, FR.	0.1	1	61100-KBB-980ZA	FENDER, FR. *NH-196* ROSS WHITE	1
			61100-KBB-980ZB	FENDER, FR. *R-206* MACEIÓ RED	1
		2	61104-KBB-900	COLLAR, FENDER MOUNTING	2
			61104-KPS-760	COLLAR, FENDER MOUNTING	2
		3	90545-292-000	WASHER, 6.5X20	4
		*	90511-KPS-900	WASHER, 6.5X20	4
		4	95701-06025-00	BOLT, FLANGE, 6X25	4

3



Back
Retour
Volver

Elément d'entretien	T.D.R.	No. de réf.	N° de pièce	Description	Q'té néc. XL200	N° de série	Codigo de Area
GARDE-BOUE AV0.1		1	61100-KBB-980ZA	GARDE-BOUE AV. *NH-196* BLANC ROSS	1
			61100-KBB-980ZB	GARDE-BOUE AV. *R-206* ROUGE MACIS	1
		2	61104-KBB-900	COLLIER DE MONTAGE DE GARDE BOUE	2
			61104-KPS-760	COLLIER DE MONTAGE DE GARDE BOUE	2
		3	90545-292-000	RONDELLE, 6.5X20.....	4
*		90511-KPS-900	RONDELLE, 6.5X20.....	4	
	4	95701-06025-00	BOULON DE BRIDE, 6X25	4	
Artículo de servicio	THLL	N° de ref.	No. de pieza	Descripción	Cant. Requerida XL200	No. de série	Code de Zone
PARAFANGO DEL0.1		1	61100-KBB-980ZA	PARAFANGO DEL. *NH-196* BLANCO ROSS.....	1
			61100-KBB-980ZB	PARAFANGO DEL. *R-206* ROJO MACEIO.....	1
		2	61104-KBB-900	COLLARIN, MONTURA DE PARAFANGO	2
			61104-KPS-760	COLLARIN, MONTURA DE PARAFANGO	2
		3	90545-292-000	ARANDELA, 6.5X20	4
*		90511-KPS-900	ARANDELA, 6.5X20	4	
	4	95701-06025-00	PERNO DE REBORDE, 6X25	4	

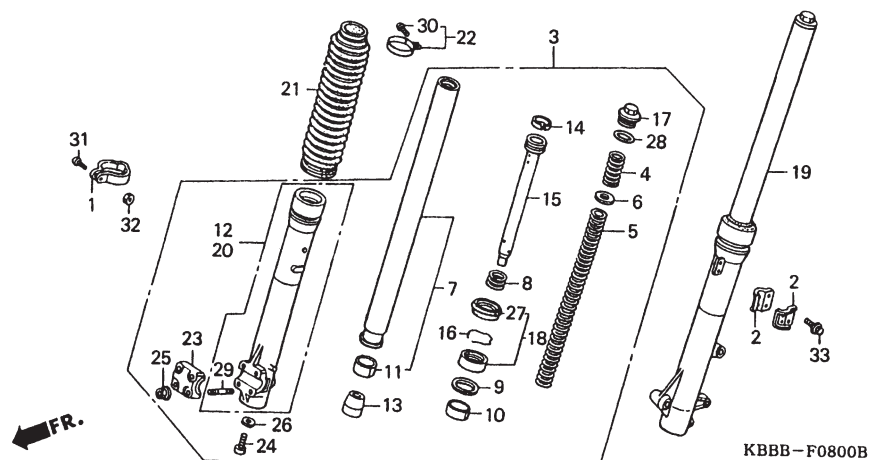


F-8

Front Fork

Fourchette Avant

Horquilla Delantera



Service Item	F.R.T	Ref. N°	Part No.	Description	Qty. XL200	Serial No.	Note
SPRING B, FR. FORK.....	0.2	1	44832-KR6-000	CLAMPER, SPEEDOMETER CABLE	1
BOOT, FR. FORK.....	0.4	2	45461-KV6-910	CLAMPER A, BRAKE HOSE.....	2
(ADD 0.1 FOR EACH.)		3	51400-KBB-980ZA	FORK ASSY., R. FR. (SHOWA) *NH1* BLACK	1
• FORK ASSY., L. FR.		*	51480-KBB-981	FORK ASSY., R. FR. (SHOWA).....	1
(ADD 0.1 FOR EACH.)		*	51480-KBB-982	FORK ASSY., R. FR. (SHOWA).....	1
• FORK ASSY., R. FR.		4	51401-KBB-901	SPRING A, FR. FORK (SHOWA).....	2
CASE COMP., L. BOTTOM	0.8	5	51402-KBB-901	SPRING B, FR. FORK (SHOWA).....	2
(ADD 0.5 FOR EACH.)		6	51403-ME4-003	SEAT, SPRING	2
• CASE COMP., R. BOTTOM		7	51410-KBB-901	PIPE COMP., FR. FORK (SHOWA).....	2
• PIPE COMP., FR. FORK		8	51411-MG1-003	SPRING, FR. FORK REBOUND	2
(ADD 0.5 FOR EACH.)		9	51412-461-003	RING, BACK UP.....	2
• SEAL SET, FR. FORK		10	51414-461-003	BUSH, GUIDE.....	2
(ADD 0.5 FOR EACH.)		11	51415-MA0-771	BUSH, SLIDER	2
		12	51420-KBB-902	CASE COMP., R. BOTTOM.....	1
		*	51420-KBB-903	CASE COMP., R. BOTTOM.....	1
		13	51432-KAS-901	PIECE, OIL LOCK	2
		14	51437-ME4-003	RING, PISTON	2
		15	51440-KBB-981	PIPE, SEAT	2
		16	51447-KR6-003	RING, OIL SEAL STOPPER	2
		17	51450-KAS-901	BOLT COMP., FR. FORK.....	2
		18	51490-KR6-305	SEAL SET, FR. FORK.....	2
		19	51500-KBB-980ZA	FORK ASSY., L. FR. (SHOWA) *NH1* BLACK.....	1
		*	51500-KBB-981	FORK ASSY., L. FR. (SHOWA)	1
		*	51500-KBB-982	FORK ASSY., L. FR. (SHOWA)	1

3

Back
Retour
Volver

Elément d'entretien	T.D.R.	No. de réf.	N° de pièce	Description	Q'té néc. XL200	N° de série	Codigo de Area
RESSORT B DE FOURCHE AV.....	0.2	1	44832-KR6-000	GRIFFE DE CABLE DE COMPTEUR VITESSE	1
SOUFFLET, FOURCHE AV	0.4	2	45461-KV6-910	AGRAFE A DE DURITE DE FREIN.....	2
(AJOUTER 0.1 POUR CHAQUE.)		3	51400-KBB-980ZA	ENS FOURCHE AV. D. (SHOWA) *NH1* NOIR.....	1
• ENS. FOURCHE AV. G.		*	51480-KBB-981	ENS FOURCHE AV. D. (SHOWA).....	1
(AJOUTER 0.1 POUR CHAQUE.)		*	51480-KBB-982	ENS FOURCHE AV. D. (SHOWA).....	1
• ENS. FOURCHE AV. D.		4	51401-KBB-901	RESSORT A DE FOURCHE AV. (SHOWA)	2
BOITIER COMP. INFERIEUR G.	0.8	5	51402-KBB-901	RESSORT B DE FOURCHE AV. (SHOWA).....	2
(AJOUTER 0.5 POUR CHAQUE.)		6	51403-ME4-003	SIEGE DE RESSORT	2
• BOITIER COMP. INFERIEUR D.		7	51410-KBB-901	TUYAU COMP. FOURCHE AV. (SHOWA).....	2
• TUYAU COMP. FOURCHE AV		8	51411-MG1-003	RESSORT DE REBONDISSEMENT FOURCHE AV	2
(AJOUTER 0.5 POUR CHAQUE.)		9	51412-461-003	ANNEAU DE REFOULEMENT.....	2
• JEU DE JOINT DE FOURCHE AV.		10	51414-461-003	BAGUE DE GUIDE.....	2
(AJOUTER 0.5 POUR CHAQUE.)		11	51415-MA0-771	POUSSEE DE COULISSEAU	2
		12	51420-KBB-902	BOITIER COMP. INFERIEUR D	1
		*	51420-KBB-903	BOITIER COMP. INFERIEUR D	1
		13	51432-KAS-901	PIECE DE RETENUE D'HUILE.....	2
		14	51437-ME4-003	BAGUE DE PISTON.....	2
		15	51440-KBB-981	TUYAU DE SIEGE.....	2
		16	51447-KR6-003	ANNEAU DE BUTEE DE JOINT D'ETANCHEITE A HUILE.....	2
		17	51450-KAS-901	BOULON COMP. FOURCHE AV.	2
		18	51490-KR6-305	JEU DE JOINT DE FOURCHE AV.....	1
		19	51500-KBB-980ZA	ENS. FOURCHE AV. G. (SHOWA) *NH1* NOIR.....	1
		*	51500-KBB-981	ENS. FOURCHE AV. G. (SHOWA).....	1
		*	51500-KBB-982	ENS. FOURCHE AV. G. (SHOWA).....	1

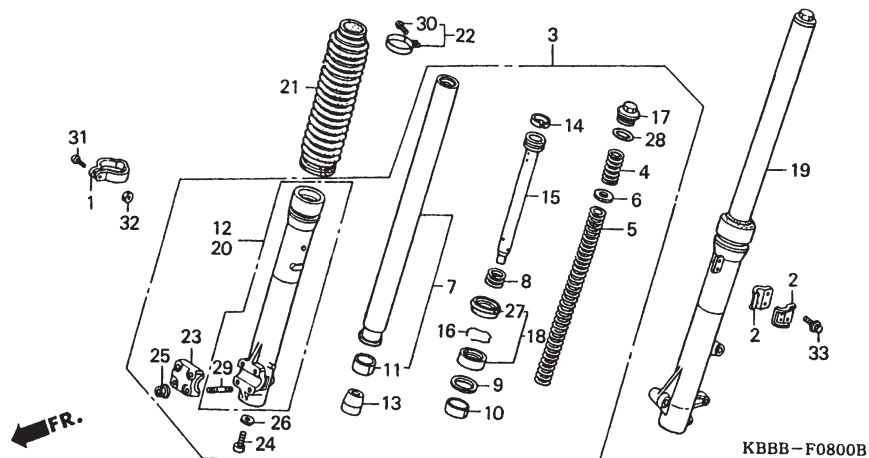
Artículo de servicio	THLL	N° de ref.	No. de pieza	Descripción	Cant. Requerida XL200	No. de série	Code de Zone
RESORTE B, HORQUILLA DEL.....	0.2	1	44832-KR6-000	ABRAZADERA, CABLE DE VELOCIMETRO	1
• ZAPATA, HORQUILLA DEL	0.4	2	45461-KV6-910	ABRAZADERA A, MANGUERA FRENO	2
(AGREGUE 0.1 DE CADA.)		3	51400-KBB-980ZA	ENS. DE HORQUILLA, DER. DEL. (SHOWA) *NH1* NEGRO.....	1
• ENS. DE HORQUILLA, DER. DEL		*	51480-KBB-981	ENS. DE HORQUILLA, DER. DEL. (SHOWA).....	1
• ENS. DE HORQUILLA, IZQ. DEL		*	51480-KBB-982	ENS. DE HORQUILLA, DER. DEL. (SHOWA).....	1
(AGREGUE 0.1 DE CADA.)		4	51401-KBB-901	HORQUILLA DE RESORTE A DEL. (SHOWA)	2
• COMP. DE TUBO, HORQUILLA DEL		5	51402-KBB-901	RESORTE B, HORQUILLA DEL.....	2
(AGREGUE 0.5 DE CADA.)		6	51403-ME4-003	ASIENTO, RESORTE	2
• COMP. DE CAJA, INFERIOR DER		7	51410-KBB-901	COMP. DE TUBO, HORQUILLA DEL.....	2
• JUEGO DE SELLO, HORQUILLA DEL		8	51411-MG1-003	RESORTE DE REBOTE, HORQUILLA	2
(AGREGUE 0.5 DE CADA.)		9	51412-461-003	ANILLO DE REFUERZO	2
COMP. DE CAJA, INFERIOR IZQ.	0.8	10	51414-461-003	BUJE, GUIA	2
(AGREGUE 0.5 DE CADA.)		11	51415-MA0-771	BUJE, DESLIZADOR	2
		12	51420-KBB-902	COMP. DE CAJA, INFERIOR DER.	1
		*	51420-KBB-903	COMP. DE CAJA, INFERIOR DER.	1
		13	51432-KAS-901	PIEZA, BLOQUEO DE COMPUESTO.....	2
		14	51437-ME4-003	SEGMENTO, PISTON	2
		15	51440-KBB-981	TUBO, ASIENTO.....	2
		16	51447-KR6-003	ANILLO, OBTURADOR DE SELLO DE ACEITE	2
		17	51450-KAS-901	COMP. DE PERNO, HORQUILLA DEL.	2
		18	51490-KR6-305	JUEGO DE SELLO, HORQUILLA DEL	1
		19	51500-KBB-980ZA	ENS. DE HORQUILLA, IZQ. DEL. (SHOWA) *NH1* NEGRO....	1
		*	51500-KBB-981	ENS. DE HORQUILLA, IZQ. DEL. (SHOWA)	1
		*	51500-KBB-982	ENS. DE HORQUILLA, IZQ. DEL. (SHOWA)	1

F-8

Front Fork

Fourchette Avant

Horquilla Delantera



Service Item	F.R.T	Ref. N°	Part No.	Description	Qtd. XL200	Serial No.	Note
		20	51520-KBB-902	CASE COMP., L. BOTTOM	1
		*	51520-KBB-903	CASE COMP., L. BOTTOM	1
		21	51611-KR6-013ZH	BOOT, FR. FORK *NH1* BLACK	2
		22	51612-430-010	BAND, FR. FORK BOOT	2
		23	51634-MA0-003	HOLDER, AXLE	1
		24	90116-383-721	BOLT, SOCKET, 8MM	2
		25	90301-473-003	NUT, U, 6MM	4
		26	90544-283-000	WASHER, SPECIAL, 8MM	2
		27	91254-KR6-003	DUST SEAL	2
		28	91357-ME4-003	O-RING, 27.7X3.5	2
		29	92900-06025-0E	BOLT, STUD, 6X25	4
		30	93500-03025-0A	SCREW, PAN, 3X25	2
		31	93500-05022-0G	SCREW, PAN, 5X22	1
		32	94001-05070-0S	NUT, HEX., 5MM	1
		33	96001-06012-07	BOLT, FLANGE, 6X12	2

3

Back
Retour
Volver

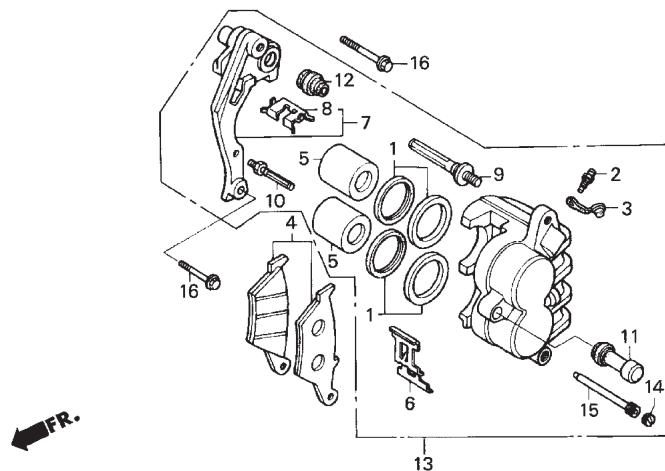
Elément d'entretien	T.D.R.	No. de réf.	N° de pièce	Description	Q'té néc. XL200	N° de série	Codigo de Area
		20	51520-KBB-902	BOITIER COMP. INFERIEUR G.	1
		*	51520-KBB-903	BOITIER COMP. INFERIEUR G.	1
		21	51611-KR6-013ZH	SOUFFLET, FOURCHE AV. *NH1* NOIR	2
		22	51612-430-010	BANDE DE SOUFFLET DE FOURCHE AV	2
		23	51634-MA0-003	PORTE-AXE	1
		24	90116-383-721	BOULON DE DOUILLE, 8MM	2
		25	90301-473-003	ECROU U, 6MM	4
		26	90544-283-000	RONDELLE SPECIALE, 8MM	2
		27	91254-KR6-003	CACHE-POUSSIÈRE	2
		28	91357-ME4-003	JOINT TORIHUE, 27.7X3.5	2
		29	92900-06025-0E	GOUJON, 6X25	4
		30	93500-03025-0A	VIS A TÊTE CYLINDRIQUE, 3X25	2
		31	93500-05022-0G	VIS A TÊTE CYLINDRIQUE, 5X22	1
		32	94001-05070-0S	ECROU HEX., 5MM	1
		33	96001-06012-07	BOULON DE BRIDE, 6X12	2

Artículo de servicio	THLL	N° de ref.	No. de pieza	Descripción	Cant. Requerida XL200	No. de série	Code de Zone
		20	51520-KBB-902	COMP. DE CAJA, INFERIOR IZO.....	1
		*	51520-KBB-903	COMP. DE CAJA, INFERIOR IZO.....	1
		21	51611-KR6-013ZH	ZAPATA, HORQUILLA DEL. *NH1* NEGRO	2
		22	51612-430-010	BANDA, ZAPATA DE HORQUILLA DEL.....	2
		23	51634-MA0-003	PORTADOR, EJE.....	1
		24	90116-383-721	PERNO, CASQUILLO, 8MM	2
		25	90301-473-003	ECROU, U, 6MM	4
		26	90544-283-000	ARANDELA ESPECIAL, 8MM	2
		27	91254-KR6-003	GUARDAPOLVO	2
		28	91357-ME4-003	ANILLO O, 27.7X3.5	2
		29	92900-06025-0E	PERNO PRISIONERO, 6X25	4
		30	93500-03025-0A	TORNILLO ALOMADO, 3X25	2
		31	93500-05022-0G	TORNILLO ALOMADO, 5X22	1
		32	94001-05070-0S	TUERCA, HEX., 5MM	1
		33	96001-06012-07	PERNO DE REBORDE, 6X12	2



F-9

Front Brake Caliper Etrier de Frein Avant Calibre de Freno



KBBB-F0900

Service Item	F.R.T	Ref. N°	Part No.	Description	Qtd. XL200	Serial No.	Note
PAD SET, FR. BRAKE	0.1	1	06431-MA3-405	SEAL SET, PISTON.....	1
BRACKET COMP., L. FR.....	0.2	2	43352-568-003	SCREW, BLEEDER.....	1
CALIPER SUB ASSY., L. FR.....	0.4	3	43353-461-771	CAP, BLEEDER.....	1
PISTON COMP	0.5	4	45105-KBB-405	PAD SET, FR. BRAKE	1
(ADD 0.1 FOR EACH.)		*	45105-KAS-415	PAD SET, FR. BRAKE	1
(INC. RELATIVE PART)			45107-ML0-016	PISTON COMP	2
			45108-KW8-901	SPRING, PAD	1
			45110-KCY-671	BRACKET COMP., L. FR.	1
			45112-KS6-701	RETAINER	1
			45131-HA5-672	BOLT A, PIN	1
			45131-166-016	BOLT, PIN.....	1
			45132-166-016	BOOT, PIN BUSH (NISSIN)	1
			45133-MA3-006	BOOT B	1
			45150-KBB-305	CALIPER SUB ASSY., L. FR.	1
			45203-MG3-016	PLUG, PIN	1
			45215-ML7-922	PIN, HANGER.....	1
			90131-MS6-900	BOLT, FLANGE, 8X40	2

3



Back
Retour
Volver

Elément d'entretien	T.D.R.	No. de réf.	N° de pièce	Description	Q'té néc. XL200	N° de série	Codigo de Area
JEU DE SABOT DE FREIN AV	0.1	1	06431-MA3-405	JEU D'ETANCHEITE, PISTON	1
SUPPORT COMP. AV. G	0.2	2	43352-568-003	VIS DE PURGE	1
ETRIER SECONDAIRE, AV. G.....	0.4	3	43353-461-771	CHAPEAU, PURGEUR.....	1
PISTON COMP	0.5	4	45105-KBB-405	JEU DE SABOT DE FREIN AV	1
(AJOUTER 0.1 POUR CHAQUE.)		*	45105-KAS-415	JEU DE SABOT DE FREIN AV.....	1
(PIECES RELATIVES Y COMPRISES)		5	45107-ML0-016	PISTON COMP	2
		6	45108-KW8-901	RESSORT DE PLAQUETTE	1
		7	45110-KCY-671	SUPPORT COMP. AV. G	1
		8	45112-KS6-701	FIXATION.....	1
		9	45131-HA5-672	BOULON A D'AXE.....	1
		10	45131-166-016	BOULON DE GOUPILLE	1
		11	45132-166-016	SOUFFLET DE BAGUE D'AXE (NISSIN).....	1
		12	45133-MA3-006	SOUFFLET B	1
		13	45150-KBB-305	ETRIER SECONDAIRE, AV. G	1
		14	45203-MG3-016	BOUCHON DE GOUPILLE	1
		15	45215-ML7-922	GOUPILLE DE SUSPENSION	1
		16	90131-MS6-900	BOULON DE BRIDE, 8X40.....	2

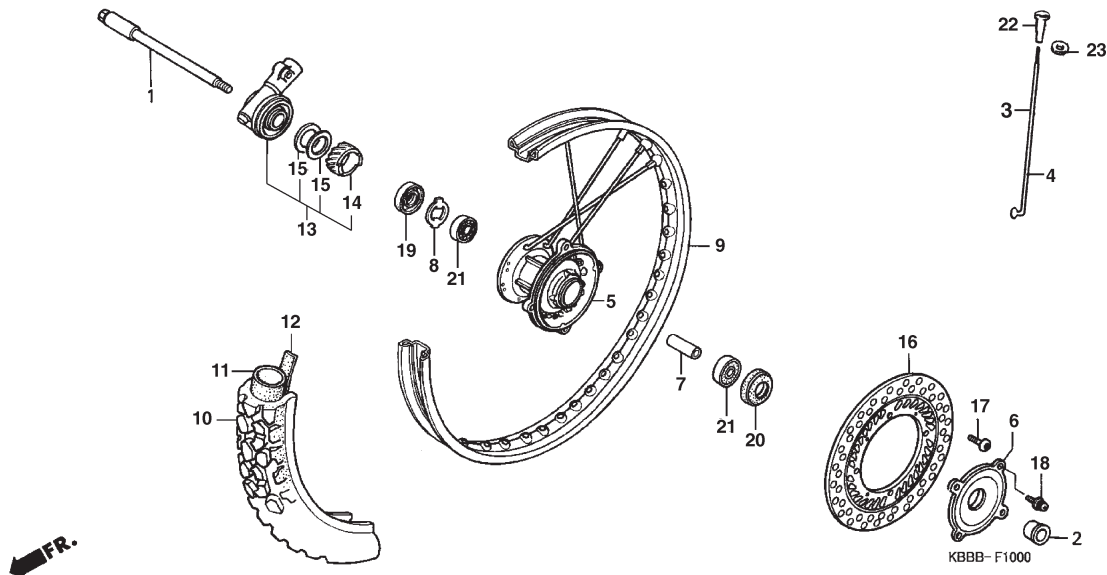
Artículo de servicio	THLL	N° de ref.	No. de pieza	Descripción	Cant. Requerida XL200	No. de série	Code de Zone
JUEGO DE ZAPATA, FRENO DEL	0.1	1	06431-MA3-405	JUEGO DE SELLOS, PISTON.....	1
COMP. DE SOPORTE, IZQ. DEL	0.2	2	43352-568-003	TORNILLO, PURGADOR	1
SUB ENS. CALIBRADOR, DEL. IZQ	0.4	3	43353-461-771	TAPA, PURGADOR.....	1
COMP. DE PISTON	0.5	4	45105-KBB-405	JUEGO DE ZAPATA, FRENO DEL.....	1
(AGREGUE 0.1 DE CADA.)		*	45105-KAS-415	JUEGO DE ZAPATA, FRENO DEL.....	1
(INCLUSIVE PIEZAS RELACIONADAS)		5	45107-ML0-016	COMP. DE PISTON	2
		6	45108-KW8-901	RESORTE DE ALMOHADILLA	1
		7	45110-KCY-671	COMP. DE SOPORTE, IZQ. DEL	1
		8	45112-KS6-701	RETEN FIJO.....	1
		9	45131-HA5-672	PERNO A, ESPIGA	1
		10	45131-166-016	PERNO, ESPIGA	1
		11	45132-166-016	ZAPATA, BUJE DE ESPIGA (NISSIN)	1
		12	45133-MA3-006	ZAPATA B	1
		13	45150-KBB-305	SUB ENS. CALIBRADOR, DEL. IZQ.	1
		14	45203-MG3-016	TAPON, ESPIGA	1
		15	45215-ML7-922	ESPIGA, SUSPENSION	1
		16	90131-MS6-900	PERNO DE REBORDE, 8X40	2

F-10

Front Wheel

Roue Avant

Rueda Delantera



Service Item	F.R.T	Ref. N°	Part No.	Description	Qty. XL200	Serial No.	Note
AXLE, FR. WHEEL	0.3	1	44301-KW8-900	AXLE, FR. WHEEL	1
• BOX ASSY., SPEEDOMETER GEAR		2	44311-MG3-000	COLLAR, FR. WHEEL.....	1
BEARING, RADIAL BALL, 6202U	0.4	3	44604-KBB-900	SPOKE SET, A	18
(ADD 0.1 FOR EACH.)		4	44605-MG2-000	SPOKE SET, B	18
• COLLAR, FR. WHEEL DISTANCE		5	44601-KV2-900	HUB SUB ASSY., FR.	1
• DISK, FR. BRAKE		6	44610-KL3-770	COVER, FR. HUB.....	1
TIRE, FR.	0.9	7	44620-MG3-000	COLLAR, FR. WHEEL DISTANCE	1
• TUBE, TIRE		8	44680-MA0-000	RETAINER, GEAR BOX ..	1
WHEEL SUB ASSY., FR.....	1.0	9	44701-KBZ-950	RIM, FR. WHEEL	1
RIM, FR. WHEEL	2.3	10	44711-KW8-902	TIRE, FR. (PIRELLI)(2.75-21).....	1
HUB SUB ASSY., FR.....	2.4	11	44712-KW8-901	TUBE, TIRE (PIRELLI)	1
		12	44713-KW8-901	FLAP, TIRE (PIRELLI).....	1
		13	44800-KE1-762	BOX ASSY., SPEEDOMETER GEAR	1
		14	44806-KE1-761	GEAR COMP., SPEEDOMETER	1
		15	44809-402-000	WASHER, SPEEDOMETER GEAR	2
		16	45351-KBB-900	DISK, FR. BRAKE.....	1
		17	90105-KN5-000	BOLT, DISK, 6X17	4
			90105-KV3-851	BOLT, DISK, 6X17(DAIDO).....	4
			90106-MBB-000	BOLT, DISK, 6X17	4
			90106-MT3-003	BOLT, DISK, 6X17 (SAGA).....	4

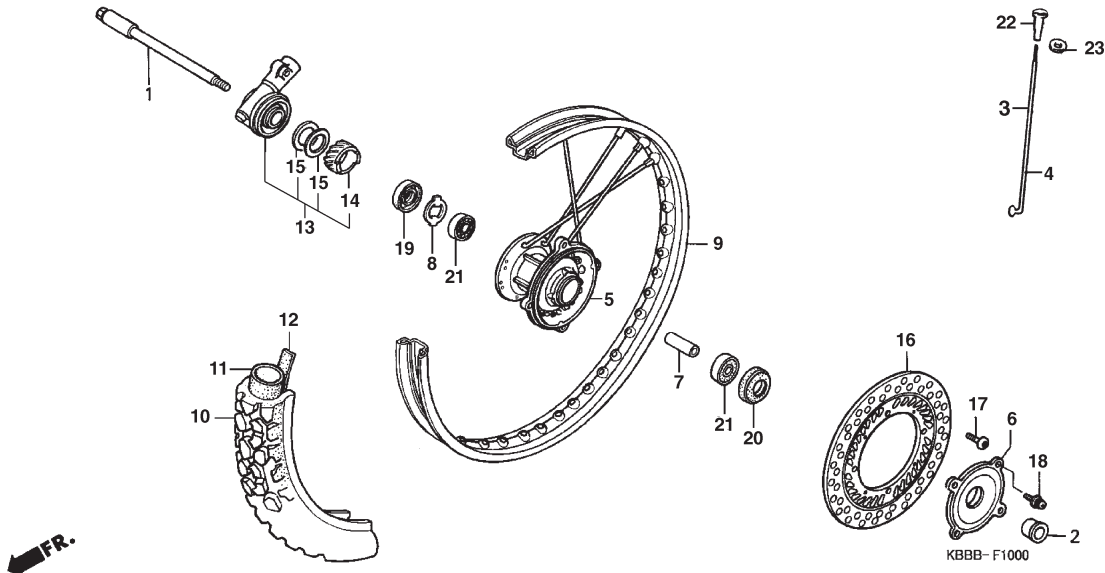
3

Back
Retour
Volver

Elément d'entretien	T.D.R.	No. de réf.	N° de pièce	Description	Q'té néc. XL200	N° de série	Codigo de Area
AXE DE ROUE AV.....	0.3	1	44301-KW8-900	AXE DE ROUE AV.	1
• ENS. BOITIER DE PIGNON DE COMPTEUR DE VITESSE		2	44311-MG3-000	COLLIER DE ROUE AV.	1
• ROULEMENT A BILLES RADIAL, 6202U	0.4	3	44604-KBB-900	JEU DE RAYON A	18
COLLIER D'ECARTEMENT DE ROUE AV		4	44605-MG2-000	JEU DE RAYON B	18
• DISQUE DE FREIN AV. (AJOUTER 0.1 POUR CHAQUE.)		5	44601-KV2-900	SOUS-ENS. DE MOYEU, AV.	1
PNEU AV.....	0.9	6	44610-KL3-770	COUVERCLE DE MOYEU AV.	1
• CHAMBRE A AIR		7	44620-MG3-000	COLLIER D'ECARTEMENT DE ROUE AV	1
ENS. AUXILIAIRE DE ROUE AV	1.0	8	44680-MA0-000	FIXATION DE BOITE D'ENGRENAGE	1
JANTE DE ROUE AV	2.3	9	44701-KBZ-950	JANTE DE ROUE AV.	1
SOUS-ENS. DE MOYEU, AV	2.4	10	44711-KW8-902	PNEU AV. (PIRELLI)(2.75-21).....	1
		11	44712-KW8-901	CHAMBRE A AIR (PIRELLI).....	1
		12	44713-KW8-901	VOLET DE PNEU (PIRELLI)	1
		13	44800-KE1-762	ENS. BOITIER DE PIGNON DE COMPTEUR DE VITESSE.....	1
		14	44806-KE1-761	PIGNON COMP. COMPTEUR DE VITESSE	1
		15	44809-402-000	RONDELLE DE PIGNON DE COMPTEUR VITESSE.....	2
		16	45351-KBB-900	DISQUE DE FREIN AV.....	1
		17	90105-KN5-000	BOULON DE DISQUE, 6X17	4
			90105-KV3-851	BOULON DE DISQUE, 6X17(DAIDO).....	4
			90106-MBB-000	BOULON DE DISQUE, 6X17	4
			90106-MT3-003	BOULON DE DISQUE, 6X17(SAGA)	4

Artículo de servicio	THLL	N° de ref.	No. de pieza	Descripción	Cant. Requerida XL200	No. de série	Code de Zone
EJE, RUEDA DEL.....	0.3	1	44301-KW8-900	EJE, RUEDA DEL.	1
• ENS. DE CAJA, ENGRANAJE DE VELOCIMETRO		2	44311-MG3-000	COLLARIN, RUEDA DEL.	1
COJINETE DE BOLAS RADIAL, 6202U	0.4	3	44604-KBB-900	JEUGO, RAYOS A	18
(AGREGUE 0.1 DE CADA.)		4	44605-MG2-000	JUEGO, RAYOS B	18
• COLLARIN, DISTANCIA DE RUEDA DEL.		5	44601-KV2-900	ENS. SECUNDARIO DE CUBO DEL.....	1
• DISCO, FRENO DEL NEUMÁTICO, DEL.....	0.9	6	44610-KL3-770	CUBIERTA, MAZA DEL.	1
• TUBO DE GOMA, RUEDA		7	44620-MG3-000	COLLARIN, DISTANCIA DE RUEDA DEL.....	1
SUB-ENS. DE RUEDA, DEL.....	1.0	8	44680-MA0-000	RETEN, CAJA DE ENGRANAJES.....	1
ARO, RUEDA DEL	2.3	9	44701-KBZ-950	ARO, RUEDA DEL	1
ENS. SECUNDARIO DE CUBO DEL	2.4	10	44711-KW8-902	NEUMATICO, DEL. (PIRELLI) (2.75-21).....	1
		11	44712-KW8-901	TUBO DE GOMA, RUEDA (PIRELLI).....	1
		12	44713-KW8-901	ALETA, NEUMATICO (PIRELLI)	1
		13	44800-KE1-762	ENS. DE CAJA, ENGRANAJE DE VELOCIMETRO.....	1
		14	44806-KE1-761	COMP. DE ENGRANAJE, VELOCIMETRO	1
		15	44809-402-000	ARANDELA, ENGRANAJE DE VELOCIMETRO	2
		16	45351-KBB-900	DISCO, FRENO DEL	1
		17	90105-KN5-000	PERNO, DISCO 6X17	4
			90105-KV3-851	PERNO, DISCO 6X17(DAIDO).....	4
			90106-MBB-000	PERNO, DISCO 6X17	4
			90106-MT3-003	PERNO, DISCO 6X17(SAGA).....	4

F-10
Front Wheel
Roue Avant
Rueda Delantera



Service Item	F.R.T	Ref. N°	Part No.	Description	Qtd. XL200	Serial No.	Note
		18	90204-KA3-730	SCREW-WASHER, 4X8	4
		*	90204-KPS-900	SCREW-WASHER, 4X8	4
		19	90755-229-003	OIL SEAL, 21X37X7 (ARAI)	1
			90755-229-005	OIL SEAL, 21X37X7 (NOK)	1
		20	91258-410-006	DUST SEAL, 40X50X5 (NOK)	1
		*	91258-410-013	DUST SEAL, 40X50X5 (NOK)	1
		21	96140-62020-10	BEARING, RADIAL BALL, 6202U	2
		22	97000-45200	NIPPLE	36
		23	9700W-06500	WASHER	36

3

Back
Retour
Volver

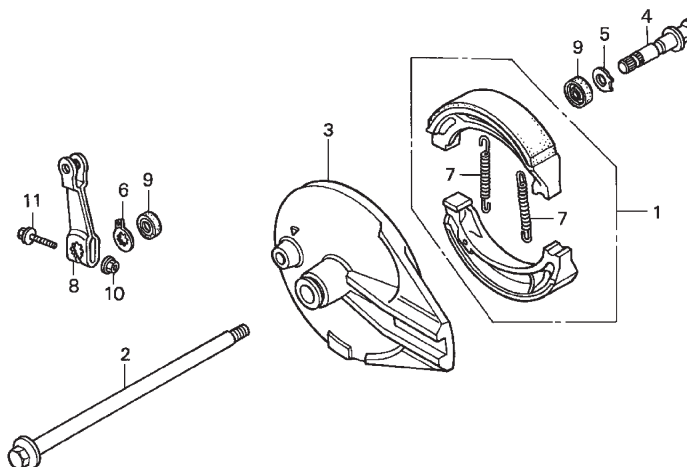
Elément d'entretien	T.D.R.	No. de réf.	N° de pièce	Description	Q'té néc. XL200	N° de série	Codigo de Area
		18	90204-KA3-730	VIS A TETE A RONDELLE, 4X8	4
		*	90204-KPS-900	VIS A TETE A RONDELLE, 4X8	4
		19	90755-229-003	JOINT D'ETANCHEITE D'HUILE, 21X37X7 (ARAI).....	1
			90755-229-005	JOINT D'ETANCHEITE D'HUILE, 21X37X7 (NOK).....	1
		20	91258-410-006	CACHE-POUSSIÈRE, 40X50X5 (NOK).....	1
		*	91258-410-013	CACHE-POUSSIÈRE, 40X50X5 (NOK).....	1
		21	96140-62020-10	ROULEMENT A BILLES RADIAL, 6202U.....	2
		22	97000-45200	NIPPLE	36
		23	9700W-06500	RONDELLE.....	36

Artículo de servicio	THLL	N° de ref.	No. de pieza	Descripción	Cant. Requerida XL200	No. de série	Code de Zone
		18	90204-KA3-730	TORNILLO-ARANDELA 4X8.....	4
		*	90204-KPS-900	TORNILLO-ARANDELA 4X8.....	4
		19	90755-229-003	SELLO DE ACEITE, 21X37X7 (ARAI).....	1
			90755-229-005	SELLO DE ACEITE, 21X37X7 (NOK).....	1
		20	91258-410-006	GUARDAPOLVO, 40X50X5 (NOK).....	1
		*	91258-410-013	GUARDAPOLVO, 40X50X5 (NOK).....	1
		21	96140-62020-10	COJINETE DE BOLAS RADIAL, 6202U.....	2
		22	97000-45200	NIPPLE	36
		23	9700W-06500	ARANDELA.....	36



F-11

Rear Brake Panel Panneau de Frein Arriere Panel de Freno Trasero



KBBB-F1100



Service Item	F.R.T	Ref. N°	Part No.	Description	Qty. XL200	Serial No.	Note
ARM, RR. BRAKE0.2		1	06430-KFC-900	SHOE SET, BRAKE	1
AXLE, RR. WHEEL.....0.3		2	42301-KBB-900	AXLE, RR. WHEEL	1
PANEL COMP., RR. BRAKE0.5		3	43100-KFC-900	PANEL COMP., RR. BRAKE	1
(INC. RELATIVE PART)			43100-KFC-790	PANEL COMP., RR. BRAKE	1
• SHOE SET, BRAKE		4	43141-KB7-000	CAM, RR. BRAKE	1
		*	43141-KB7-003	CAM, RR. BRAKE	1
		5	43142-MN1-670	SEAT, RR. BRAKE CAM	1
		6	43145-KB7-000	INDICATOR, RR. BRAKE	1
		7	43151-110-000	SPRING, BRAKE SHOE	2
		8	43410-KL4-000	ARM, RR. BRAKE	1
		*	43410-MC4-010	ARM, RR. BRAKE	1
		9	45134-KB7-005	DUST SEAL, BRAKE CAM (NOK)	2
		10	90301-473-003	NUT, U, 6MM	1
		11	95701-06035-00	BOLT, FLANGE, 6X35	1
		*	90032-GHR-740	BOLT, FLANGE, 6X35	1

3



Back
Retour
Volver

Elément d'entretien	T.D.R.	No. de réf.	N° de pièce	Description	Q'té néc. XL200	N° de série	Codigo de Area
BRAS DE FREIN AR.....0.2		1	06430-KFC-900	JEU DE SABOT DE FREIN AV.....	1
AXE DE ROUE AR.....0.3		2	42301-KBB-900	AXE DE ROUE AR.....	1
PLATEAU COMP. FREIN AR.....0.5		3	43100-KFC-900	PLATEAU COMP. FREIN AR.....	1
(PIECES RELATIVES Y COMPRISES)			43100-KFC-790	PLATEAU COMP. FREIN AR.....	1
• JEU DE SABOT DE FREIN AV.		4	43141-KB7-000	CAME DE FREIN AR.....	1
		*	43141-KB7-003	CAME DE FREIN AR.....	1
		5	43142-MN1-670	SIEGE DE CAME DE FREIN AR.....	1
		6	43145-KB7-000	INDICATEUR DE FREIN AR.....	1
		7	43151-110-000	RESSORT DE MACHOIRES DE FREIN.....	2
		8	43410-KL4-000	BRAS DE FREIN AR.....	1
		*	43410-MC4-010	BRAS DE FREIN AR.....	1
		9	45134-KB7-005	CACHE-POUSSIÈRE DE CAME DE FREIN (NOK).....	2
		10	90301-473-003	ECROU U, 6MM.....	1
		11	95701-06035-00	BOULON DE BRIDE, 6X35.....	1
		*	90032-GHR-740	BOULON DE BRIDE, 6X35.....	1

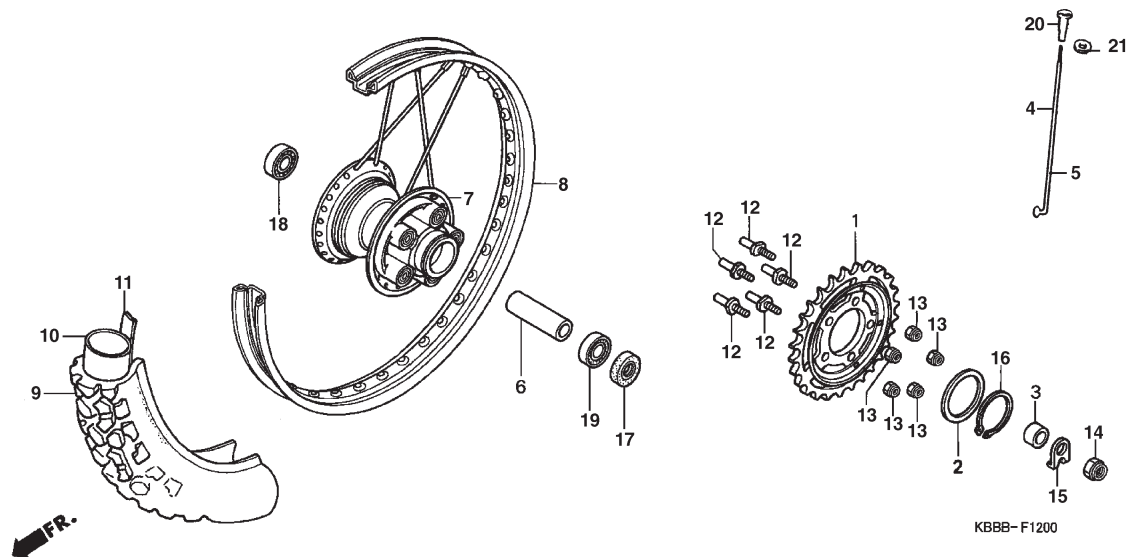
Artículo de servicio	THLL	N° de ref.	No. de pieza	Descripción	Cant. Requerida XL200	No. de série	Code de Zone
BRAZO, FRENO TRAS.....0.2		1	06430-KFC-900	JUEGO DE ZAPATA, FRENO.....	1
EJE, RUEDA TRAS.....0.3		2	42301-KBB-900	EJE, RUEDA TRAS.....	1
COMP. DE PANEL, FRENO TRAS.....0.5		3	43100-KFC-900	COMP. DE PANEL, FRENO TRAS.....	1
(INCLUSIVE PIEZAS RELACIONADAS)			43100-KFC-790	COMP. DE PANEL, FRENO TRAS.....	1
• JUEGO DE ZAPATA, FRENO		4	43141-KB7-000	LEVA, FRENO TRAS.....	1
		*	43141-KB7-003	LEVA, FRENO TRAS.....	1
		5	43142-MN1-670	ASIENTO, LEVAS DE FRENO TRAS.....	1
		6	43145-KB7-000	INDICADOR, FRENO TRAS.....	1
		7	43151-110-000	RESORTE, ZAPATA DE FRENO.....	2
		8	43410-KL4-000	BRAZO, FRENO TRAS.....	1
		*	43410-MC4-010	BRAZO, FRENO TRAS.....	1
		9	45134-KB7-005	GUARDAPOLVO, LEVA DE FRENO (NOK).....	2
		10	90301-473-003	ECROU, U, 6MM.....	1
		11	95701-06035-00	PERNO DE REBORDE, 6X35.....	1
		*	90032-GHR-740	PERNO DE REBORDE, 6X35.....	1

F-12

Rear Wheel

Roue Arriere

Rueda Trasera



Service Item	F.R.T	Ref. N°	Part No.	Description	Qty. XL200	Serial No.	Note
BEARING, RADIAL BALL.....0.5 (ADD 0.1 FOR EACH.)		1	41200-KBB-950	SPROCKET COMP., FINAL DRIVEN (42T)	1
• COLLAR, RR. WHEEL AXLE DISTANCE		2	41203-KBB-900	SPACER, SPROCKET	1
• SPROCKET COMP., FINAL DRIVEN		3	42311-KBB-900	COLLAR, RR. WHEEL SIDE	1
TIRE, RR	1.0	4	42603-KY7-003	SPOKE SET A	18
• TUBE, TIRE		5	42604-KY7-003	SPOKE SET B	18
WHEEL SUB ASSY., RR.	1.1	6	42620-KY7-000	COLLAR, RR. WHEEL AXLE DISTANCE	1
RIM, RR. WHEEL.....	2.4	7	42601-KW8-901	HUB SUB ASSY., RR.	1
HUB SUB ASSY., RR.	2.5	*	42601-KW8-902	HUB SUB ASSY., RR.	1
		8	42701-KFC-900	RIM, RR. WHEEL	1
		9	42711-KW8-902	TIRE, RR. (PIRELLI)(4.10-18)	1
		10	42712-KW8-901	TUBE, TIRE (PIRELLI)	1
		11	42713-KW8-901	FLAP, TIRE (PIRELLI)	1
		12	90128-KBB-900	BOLT, SPROCKET FIXING	5
		13	90304-GE8-003	NUT, U, 10MM	5
		14	90305-MA0-003	NUT, AXLE, 16MM	1
		15	90559-KY7-000	WASHER, RR. AXLE.....	1
		16	90664-KA2-000	CIRCLIP, EXTERNAL, 63MM	1
		17	91253-443-761	DUST SEAL, 30X47X8	1
		18	96140-62030-10	BEARING, RADIAL BALL, 6203U	1
		19	96140-63030-10	BEARING, RADIAL BALL, 6303U	1
		20	97000-45200	NIPPLE	36
		21	9700W-06500	WASHER	36

3



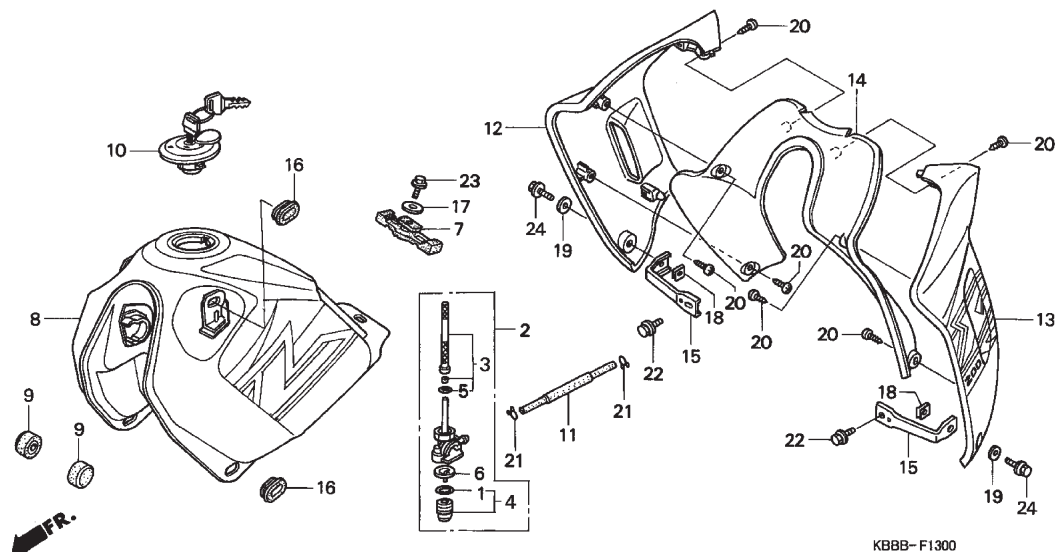
Back
Retour
Volver

Elément d'entretien	T.D.R.	No. de réf.	N° de pièce	Description	Q'té néc. XL200	N° de série	Codigo de Area
ROULEMENT A BILLES RADIAL.....0.5 (AJOUTER 0.1 POUR CHAQUE.)		1	41200-KBB-950	PIGNON MENE COMP. (42T).....	1
		2	41203-KBB-900	ENTRETOISE, PIGNON	1
• COLLIER DE DISTANCE D'AXE DE ROUE AR.		3	42311-KBB-900	COLLIER LATERAL DE ROUE AR.....	1
• PIGNON MENE COMP.		4	42603-KY7-003	JEU DE RAYON A AR.....	18
PNEU AR.....1.0		5	42604-KY7-003	JEU DE RAYON B AR.....	18
• CHAMBRE A AIR		6	42620-KY7-000	COLLIER DE DISTANCE D'AXE DE ROUE AR.....	1
ENS. AUXILIAIRE DE ROUE AR.....1.1		7	42601-KW8-901	SOUS-ENS. DE MOYEU, AR.....	1
JANTE DE ROUE AR.....2.4		* 8	42601-KW8-902	SOUS-ENS. DE MOYEU, AR.....	1
SOUS-ENS. DE MOYEU, AR.....2.5		8	42701-KFC-900	JANTE DE ROUE AR.....	1
		9	42711-KW8-902	PNEU AR. (PIRELLI)(4.10-18).....	1
		10	42712-KW8-901	CHAMBRE A AIR (PIRELLI).....	1
		11	42713-KW8-901	VOLET DE PNEU (PIRELLI).....	1
		12	90128-KBB-900	BOULON FIXATIF DE PIGNON.....	5
		13	90304-GE8-003	ECROU U, 10MM.....	5
		14	90305-MA0-003	ECROU, ESSIEU ROUE, 16MM.....	1
		15	90559-KY7-000	RONDELLE D'AXE AR.....	1
		16	90664-KA2-000	CIRCLIP EXTERIEUR, 63MM.....	1
		17	91253-443-761	CACHE-POUSSIÈRE, 30X47X8.....	1
		18	96140-62030-10	ROULEMENT A BILLES RADIAL, 6203U.....	1
		19	96140-63030-10	ROULEMENT A BILLES RADIAL, 6303U.....	1
		20	97000-45200	NIPPLE.....	36
		21	9700W-06500	RONDELLE.....	36

Artículo de servicio	THLL	N° de ref.	No. de pieza	Descripción	Cant. Requerida XL200	No. de série	Code de Zone
COJINETE, BOLAS RADIAL.....0.5 (AGREGUE 0.1 DE CADA.)		1	41200-KBB-950	COMP. DE PINON DENTADO, MANDADO FINAL (42T).....	1
		2	41203-KBB-900	ESPACIADOR DE RUEDA DENTADA.....	1
• COLLAR, DISTANCIA EJE RUEDA TRAS.		3	42311-KBB-900	COLLARIN LATERAL, RUEDA TRAS.....	1
COMP. DE PINON DENTADO MANDADO FINAL		4	42603-KY7-003	JUEGO DE RAYOS A, TRAS.....	18
NEUMATICO, TRAS.....1.0		5	42604-KY7-003	JUEGO DE RAYOS B, TRAS.....	18
• TUBO DE GOMA, RUEDA		6	42620-KY7-000	COLLAR, DISTANCIA EJE RUEDA TRAS.....	1
SUB-ENS. DE RUEDA, TRAS.....1.1		7	42601-KW8-901	ENS. SECUNDARIO DE CUBO TRAS.....	1
ARO, RUEDA TRAS.....2.4		* 8	42601-KW8-902	ENS. SECUNDARIO DE CUBO TRAS.....	1
ENS. SECUNDARIO DE CUBO TRAS.....2.5		8	42701-KFC-900	ARO, RUEDA TRAS.....	1
		9	42711-KW8-902	NEUMATICO, TRAS. (PIRELLI) (4.10-18).....	1
		10	42712-KW8-901	TUBO DE GOMA, RUEDA (PIRELLI).....	1
		11	42713-KW8-901	ALETA, NEUMATICO (PIRELLI).....	1
		12	90128-KBB-900	PERNO DE FIJACION, PINON DENTADO.....	5
		13	90304-GE8-003	ECROU, U, 10MM.....	5
		14	90305-MA0-003	TUERCA, EJE DE RUEDA, 16MM.....	1
		15	90559-KY7-000	ARANDELA, EJE TRAS.....	1
		16	90664-KA2-000	GRAPA CIRCULAR EXTERNA, 63MM.....	1
		17	91253-443-761	GUARDAPOLVO, 30X47X8.....	1
		18	96140-62030-10	COJINETE DE BOLAS RADIAL, 6203U.....	1
		19	96140-63030-10	COJINETE DE BOLAS RADIAL, 6303U.....	1
		20	97000-45200	NIPPLE.....	36
		21	9700W-06500	ARANDELA.....	36

F-13

Fuel Tank Reservoir A Carburant Tanque de Combustible



KBBB-F1300

Service Item	F.R.T	Ref. N°	Part No.	Description	Qty. XL200	Serial No.	Note
FILTER, CUP0.1 (INC. RELATIVE PART)		1	16173-001-004	PACKING, FUEL STRAINER CUP	1
• SHROUD SET, L.		2	16950-KBB-900	COCK ASSY., FUEL	1
• SHROUD SET, R.		3	16952-461-771	SCREEN, FUEL STRAINER	1
GUIDE, AIR0.2		4	16953-GG2-731	CUP SET, FUEL STRAINER	1
COCK ASSY., FUEL0.3		* 16081-471-831		CUP SET, FUEL STRAINER	1
• SCREEN, FUEL STRAINER		5	16958-MA1-731	O-RING	1
TANK SET, FUEL0.4		6	16959-471-831	FILTER, CUP	1
		7	17503-KGO-000	RUBBER, FUEL TANK RR	1
		8	17550-KBB-980ZA	TANK SET, FUEL *TYPE 1*(WL)	1
			17550-KBB-980ZB	TANK SET, FUEL *TYPE 2*(WL)	1
		9	17611-397-000	CUSHION, FUEL TANK FR	2
		10	17620-460-067	CAP COMP., FUEL FILLER	1
		11	17681-KBB-900	TUBE, FUEL	1
		12	19100-KBB-980ZA	SHROUD SET, R. *TYPE 1*(WL)	1
			19100-KBB-980ZB	SHROUD SET, R. *TYPE 2*(WL)	1
		13	19200-KBB-980ZA	SHROUD SET, L. *TYPE 1*(WL)	1
			19200-KBB-980ZB	SHROUD SET, L. *TYPE 2*(WL)	1
		14	64203-KBB-900ZC	GUIDE, AIR *NH-196* ROSS WHITE	1
			64203-KBB-900ZH	GUIDE, AIR *R-206* MACEIO RED	1
		15	64231-KBB-900	STAY, SHROUD LOWER	2

3

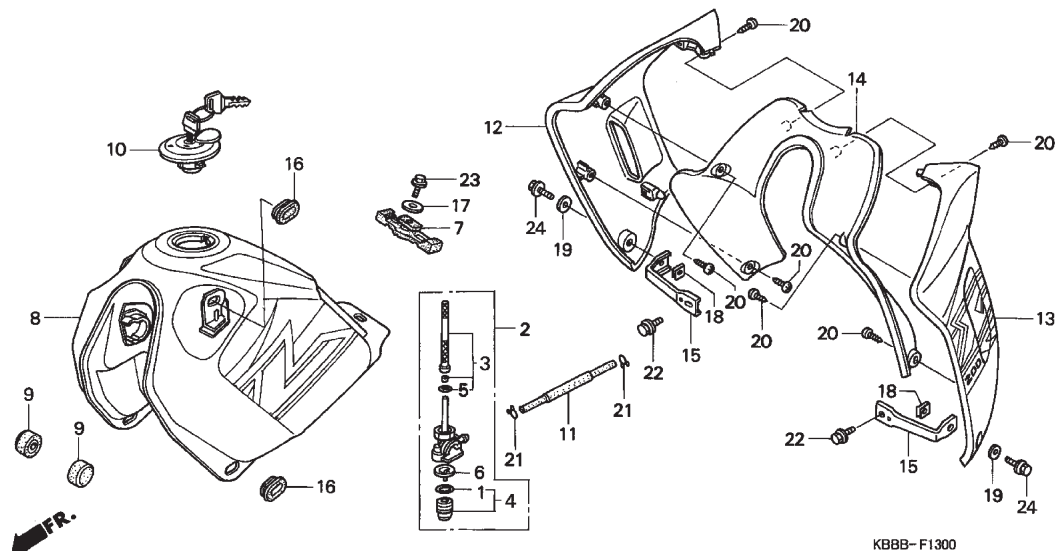
Back
Retour
Volver

Elément d'entretien	T.D.R.	No. de réf.	N° de pièce	Description	Q'té néc. XL200	N° de série	Codigo de Area
FILTRE A CUVETTE0.1 (PIECES RELATIVES Y COMPRISAS)		1	16173-001-004	JOINT DE CUVETTE DE FILTRE A CREPINE A ESSENCE	1
• JEU DE CAPOTAGE D.		2	16950-KBB-900	ENS. ROBINET CARBURANT	1
• JEU DE BUSE G.		3	16952-461-771	CREPINE DE FILTRE A ESSENCE	1
GUIDE D'AIR0.2		4	16953-GG2-731	JEU DE CUVETTE DE FILTRE A ESSENCE	1
ENS. ROBINET CARBURANT0.3		* 5	16081-471-831	JEU DE CUVETTE DE FILTRE A ESSENCE	1
• CREPINE DE FILTRE A ESSENCE		6	16958-MA1-731	JOINT TORIQUE	1
JEU DE RESERVOIR D'ESSENCE0.4		7	16959-471-831	FILTRE A CUVETTE	1
		8	17503-KG0-000	CAOUTCHOUC DE RESERVOIR AR.	1
		9	17550-KBB-980ZA	JEU DE RESERVOIR D'ESSENCE *TYPE 1*(WL)	1
		10	17550-KBB-980ZB	JEU DE RESERVOIR D'ESSENCE *TYPE 2*(WL)	1
		11	17611-397-000	TAMPON AV. DE RESERVOIR ESSENCE	2
		12	17620-460-067	BOUCHON COMP. REMPLISSAGE ESSENCE	1
		13	17681-KBB-900	TUYAU D'ESSENCE	1
		14	19100-KBB-980ZA	JEU DE CAPOTAGE D. *TYPE 1*(WL)	1
		15	19100-KBB-980ZB	JEU DE CAPOTAGE D. *TYPE 2*(WL)	1
		16	19200-KBB-980ZA	JEU DE BUSE G. *TYPE 1*(WL)	1
		17	19200-KBB-980ZB	JEU DE BUSE G. *TYPE 2*(WL)	1
		18	64203-KBB-900ZC	GUIDE D'AIR *NH-196* BLANC ROSS	1
		19	64203-KBB-900ZH	GUIDE D'AIR *R-206* ROUGE MACIS	1
		20	64231-KBB-900	ARMATURE, INFERIEURE DE BOUCLIER	2

Artículo de servicio	THLL	N° de ref.	No. de pieza	Descripción	Cant. Requerida XL200	No. de série	Code de Zone
FILTRO, TAZA0.1 (INCLUSIVE PIEZAS RELACIONADAS)		1	16173-001-004	EMPAQUE, TAZA DE FILTRO DE COMBUSTIBLE	1
• JUEGO CUBIERTA, DER		2	16950-KBB-900	ENS. DE GRIFO, COMBUSTIBLE	1
• JUEGO CUBIERTA, IZQ		3	16952-461-771	MALLA, FILTRO DE COMBUSTIBLE	1
GUIA, AIRE0.2		4	16953-GG2-731	JUEGO DE TAZA, FILTRO DE COMBUSTIBLE	1
ENS. DE GRIFO, COMBUSTIBLE0.3		* 5	16081-471-831	JUEGO DE TAZA, FILTRO DE COMBUSTIBLE	1
• MALLA, FILTRO DE COMBUSTIBLE		6	16958-MA1-731	ANILLO O	1
JUEGO DE TANQUE, COMBUSTIBLE0.4		7	16959-471-831	FILTRO, TAZA	1
		8	17503-KG0-000	GOMA, TANQUE TRAS.	1
		9	17550-KBB-980ZA	JUEGO DE TANQUE, COMBUSTIBLE (WL) *TIPO 1*	1
		10	17550-KBB-980ZB	JUEGO DE TANQUE, COMBUSTIBLE (WL) *TIPO 2*	1
		11	17611-397-000	COJIN DEL., TANQUE DE COMBUSTIBLE	2
		12	17620-460-067	TAPON DEPOS. COMBUS.	1
		13	17681-KBB-900	TUBO, COMBUSTIBLE	1
		14	19100-KBB-980ZA	JUEGO CUBIERTA, DER. (WL) *TIPO 1*	1
		15	19100-KBB-980ZB	JUEGO CUBIERTA, DER. (WL) *TIPO 2*	1
		16	19200-KBB-980ZA	JUEGO CUBIERTA, IZQ. (WL) *TIPO 1*	1
		17	19200-KBB-980ZB	JUEGO CUBIERTA, IZQ. (WL) *TIPO 2*	1
		18	64203-KBB-900ZC	GUIA, AIRE *NH-196* BLANCO ROSS	1
		19	64203-KBB-900ZH	GUIA, AIRE *R-206* ROJO MACEIO	1
		20	64231-KBB-900	SOPORTE, INFERIOR PROTECTOR	2

F-13

Fuel Tank Reservoir A Carburant Tanque de Combustible



Service Item	F.R.T	Ref. N°	Part No.	Description	Qty. XL200	Serial No.	Note
		16	83551-300-000	GROMMET, AIR CLEANER CASE	4
		17	90136-428-870	WASHER, TANK SETTING	1
		18	90344-692-003	NUT, CLIP, 6MM	2
		19	90485-286-000	WASHER, 6MM	2
		20	93903-24210	SCREW, TAPPING, 4X10.....	6
		21	95002-02100	CLIP, TUBE (B10)	2
		22	95701-06010-07	BOLT, FLANGE, 6X10	2
		23	95701-06012-00	BOLT, FLANGE, 6X12	1
		24	96001-06016-00	BOLT, FLANGE, 6X16	2

3

Back
Retour
Volver

Elément d'entretien	T.D.R.	No. de réf.	N° de pièce	Description	Q'té néc. XL200	N° de série	Codigo de Area
		16	83551-300-000	ANNEAU DE BOITIER DE FILTRE A AIR.....	4
		17	90136-428-870	RONDELLE DE FIXATION DE RESERVOIR	1
		18	90344-692-003	ECROU D'ETRIER, 6MM	2
		19	90485-286-000	RONDELLE, 6MM	2
		20	93903-24210	VIS AUTO-TARAUEUSE, 4X10.....	6
		21	95002-02100	AGRAFE DE TUYAU (B10).....	2
		22	95701-06010-07	BOULON DE BRIDE, 6X10.....	2
		23	95701-06012-00	BOULON DE BRIDE, 6X12.....	1
		24	96001-06016-00	BOULON DE BRIDE, 6X16.....	2

Articulo de servicio	THLL	No. de N°	No. de pieza	Descripción	No. Rdo. XL200	No. de serie	Nota
		16	83551-300-000	ANILLO, CAJA DE LIMPIADOR DE AIRE	4
		17	90136-428-870	ARANDELA, FIJACION DE TANQUE	1
		18	90344-692-003	TUERCA, GRAPA, 6MM.....	2
		19	90485-286-000	ARANDELA, 6MM	2
		20	93903-24210	TORNILLO, ATERRAJAR, 4X10	6
		21	95002-02100	GRAPA, TUBO (B10)	2
		22	95701-06010-07	PERNO DE REBORDE, 6X10	2
		23	95701-06012-00	PERNO DE REBORDE, 6X12	1
		24	96001-06016-00	PERNO DE REBORDE, 6X16	2

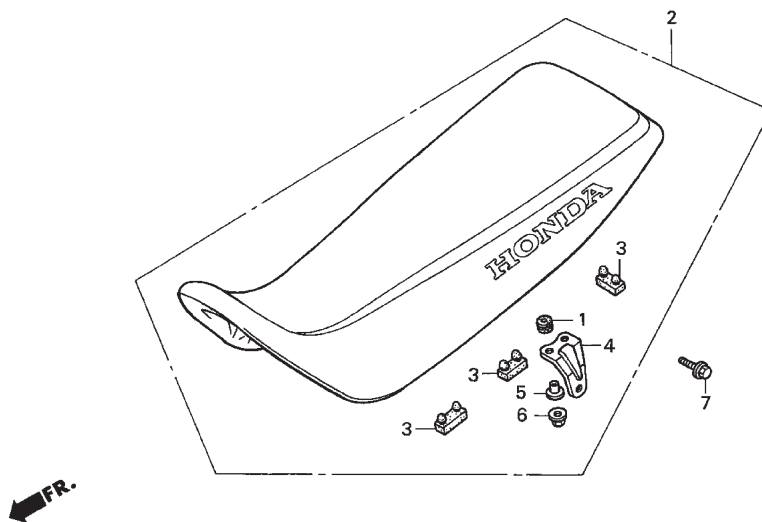


F-14

Seat

Siege

Asiento



KBBB- F1400

Service Item	F.R.T	Ref. N°	Part No.	Description	Qtd. XL200	Serial No.	Note
SEAT COMP., DOUBLE.....	0.1	1	37242-435-700	RUBBER, MOUNTING.....	4
		2	77200-KBB-980ZA	SEAT COMP., DOUBLE *NH1L* BLACK.....	1
		3	77205-286-000	RUBBER B, SEAT SETTING.....	5
		4	77220-KW8-900	STAY, SEAT.....	2
		5	90502-KB7-940	COLLAR, 19X6.2X13.5.....	4
		*	90502-KGA-E00	COLLAR, 19X6.2X13.5.....	4
		6	94050-06000	NUT, FLANGE, 6MM.....	4
		*	90208-GHR-630	NUT, FLANGE, 6MM.....	4
		7	95701-08014-00	BOLT, FLANGE, 8X14.....	2

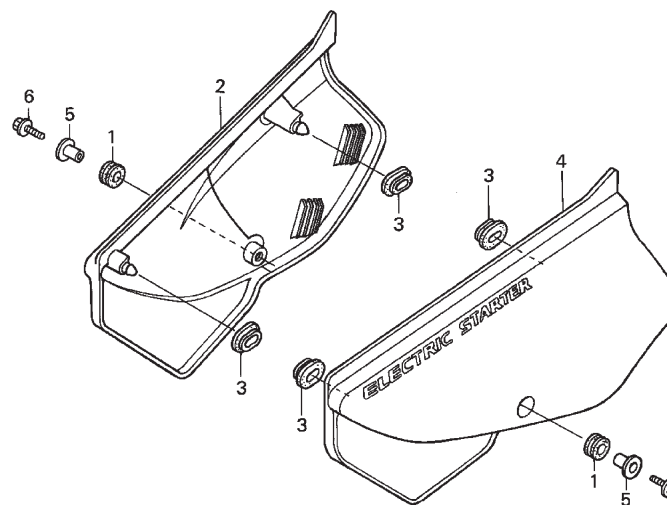
3

Back
Retour
Volver

Elément d'entretien	T.D.R.	No. de réf.	N° de pièce	Description	Q'té néc. XL200	N° de série	Codigo de Area
SIEGE DOUBLE COMP.0.1		1	37242-435-700	CAOUTCHOUC DE MONTAGE DE COMPTEUR DE VITESSE.....	4
		2	77200-KBB-980ZA	SIEGE DOUBLE COMP. *NH1L* NOIR.....	1
		3	77205-286-000	CAOUTCHOUC B DE FIXATION DE SIEGE.....	5
		4	77220-KW8-900	APPUI DE SIEGE.....	2
		5	90502-KB7-940	COLLIER, 19X6.2X13.5.....	4
		*	90502-KGA-E00	COLLIER, 19X6.2X13.5.....	4
		6	94050-06000	ECROU DE BRIDE, 6MM.....	4
* 90208-GHR-630		7	95701-08014-00	ECROU DE BRIDE, 6MM.....	4
				BOULON DE BRIDE, 8X14.....	4
Artículo de servicio	THLL	N° de ref.	No. de pieza	Descripción	Cant. Requerida XL200	No. de série	Code de Zone
COMP. DE ASIENTO, DOBLE0.1		1	37242-435-700	GOMA, MONTURA DE VELOCIMETRO.....	4
		2	77200-KBB-980ZA	COMP. DE ASIENTO, DOBLE *NH1L* NEGRO.....	1
		3	77205-286-000	GOMA DE SUJECION B, ASIENTO.....	5
		4	77220-KW8-900	TIRANTE, ASIENTO.....	2
		5	90502-KB7-940	COLLARIN, 19X6.2X13.5.....	4
		*	90502-KGA-E00	COLLARIN, 19X6.2X13.5.....	4
		6	94050-06000	TUERCA DE REBORDE, 6MM.....	4
* 90208-GHR-630		7	95701-08014-00	TUERCA DE REBORDE, 6MM.....	4
				PERNO DE REBORDE, 8X14.....	2



F-15
Side Cover
Couvercle Lateral
Cubierta Lateral



KBBB-F1500

Service Item	F.R.T	Ref. N°	Part No.	Description	Qty. XL200	Serial No.	Note
COVER SET, L. SIDE0,1 (SAME TIME FOR TWO UNITS)		1	77219-MJ6-000	GROMMET, SEAT COWL	2
• COVER SET, R. SIDE		2	83500-KBB-980ZA	COVER SET, R. SIDE *NH-196* ROSS WHITE.....	1
			83500-KBB-980ZB	COVER SET, R. SIDE *R-206* MACEIO RED	1
		3	83551-300-000	GROMMET, AIR CLEANER CASE.....	4
		4	83600-KBB-980ZA	COVER SET, L. SIDE *NH-196* ROSS WHITE	1
			83600-KBB-980ZB	COVER SET, L. SIDE *R-206* MACEIO RED	1
		5	83601-KBZ-950	COLLAR, COVER SETTING	2
	6	90101-KBB-950	BOLT, SPECIAL, 6X20.....	2	

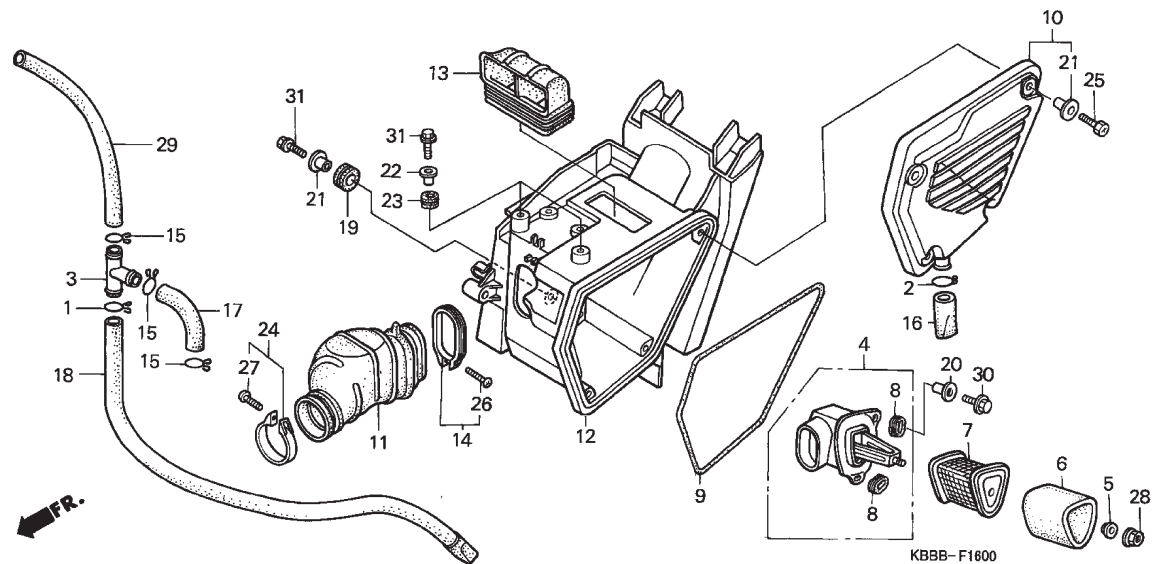
3



Back
Retour
Volver

Elément d'entretien	T.D.R.	No. de réf.	N° de pièce	Description	Q'té néc. XL200	N° de série	Codigo de Area
JEU DE COUVERCLE, LATERAL G.0.1 (MEME TEMPS POUR DEUX UNITES) • JEU DE COUVERCLE, LATERAL D.		1	77219-MJ6-000	ANNEAU D'AUVENT DE SIEGE	2
		2	83500-KBB-980ZA	JEU DE COUVERCLE, LATERAL D. *NH-196* BLANC ROSS	1
			83500-KBB-980ZB	JEU DE COUVERCLE, LATERAL D. *R-206* ROUGE MACIS	1
		3	83551-300-000	ANNEAU DE BOITIER DE FILTRE A AIR.....	4
		4	83600-KBB-980ZA	JEU DE COUVERCLE, LATERAL G. *NH-196* BLANC ROSS	1
			83600-KBB-980ZB	JEU DE COUVERCLE, LATERAL G. *R-206* ROUGE MACIS	1
		5	83601-KBZ-950	COLLIER DE FIXATION DE COUVERCLE	2
		6	90101-KBB-950	BOULON SPECIAL, 6X20.....	2
Artículo de servicio	THLL	N° de ref.	No. de pieza	Descripción	Cant. Requerida XL200	No. de série	Code de Zone
JUEGO DE CUBIERTA, LATERAL DER.0.1 (EL MISMO TIEMPO PARA DOS UNIDADES) • JUEGO DE CUBIERTA, LATERAL IZO.		1	77219-MJ6-000	ARANDELA CAUCHO, CUBIERTA ASIENTO.....	2
		2	83500-KBB-980ZA	JUEGO DE CUBIERTA, LATERAL DER. *NH-196* BLANCO ROSS	1
			83500-KBB-980ZB	JUEGO DE CUBIERTA, LATERAL DER. *R-206* ROJO MACEIO	1
		3	83551-300-000	ANILLO, CAJA DE LIMPIADOR DE AIRE	4
		4	83600-KBB-980ZA	JUEGO DE CUBIERTA, LATERAL IZO. *NH-196* BLANCO ROSS	1
			83600-KBB-980ZB	JUEGO DE CUBIERTA, LATERAL IZO. *R-206* ROJO MACEIO	1
		5	83601-KBZ-950	COLLARIN, FIJACION DE CUBIERTA.....	2
		6	90101-KBB-950	PERNO ESPECIAL, 6X20.....	2

F-16
Air Cleaner
Filtre A Air
Limpiador de Aire



Service Item	F.R.T	Ref. N°	Part No.	Description	Qty. XL200	Serial No.	Note
HOLDER, ELEMENT.....	0.1	1	15772-MN1-670	CLIP B, BREATHER TUBE	1
DUCT, AIR CLEANER INTAKE.....	0.2	2	15772-292-010	CLIP, BREATHER TUBE	1
• ELEMENT A, AIR CLEANER		3	15772-376-000	JOINT, BREATHER THREE WAY	1
TUBE, AIR CLEANER CONNECTING	0.4	4	17212-KBB-950	STAY, ELEMENT SETTING.....	1
CASE SUB ASSY., AIR CLEANER	0.7	5	17212-PA0-000	WASHER, AIR CLEANER	1
		6	17213-KB7-000	ELEMENT A, AIR CLEANER.....	1
		7	17214-KV2-920	HOLDER, ELEMENT	1
		8	17216-KBB-950	RUBBER, ELEMENT.....	2
		9	17219-KB7-000	SEAL, AIR CLEANER COVER	1
		10	17220-KB7-000	COVER, AIR CLEANER CASE	1
		11	17222-KBB-900	TUBE, AIR CLEANER CONNECTING	1
		12	17210-KBB-980	CASE SUB ASSY., AIR CLEANER	1
		13	17240-KBB-950	DUCT, AIR CLEANER INTAKE	1
		14	17256-KBB-900	BAND, AIR CLEANER CONNECTING TUBE	1
		15	17316-MN1-670	CLIP A, BREATHER TUBE	3
		16	17358-170-000	TUBE, DRAIN	1
		17	17371-KBB-900	TUBE A, BREATHER	1
		18	17372-KBB-900	TUBE B, BREATHER	1
		19	80105-061-000	CUSHION A	1
		20	83119-MG9-000	COLLAR, LOCK SETTING	2

3

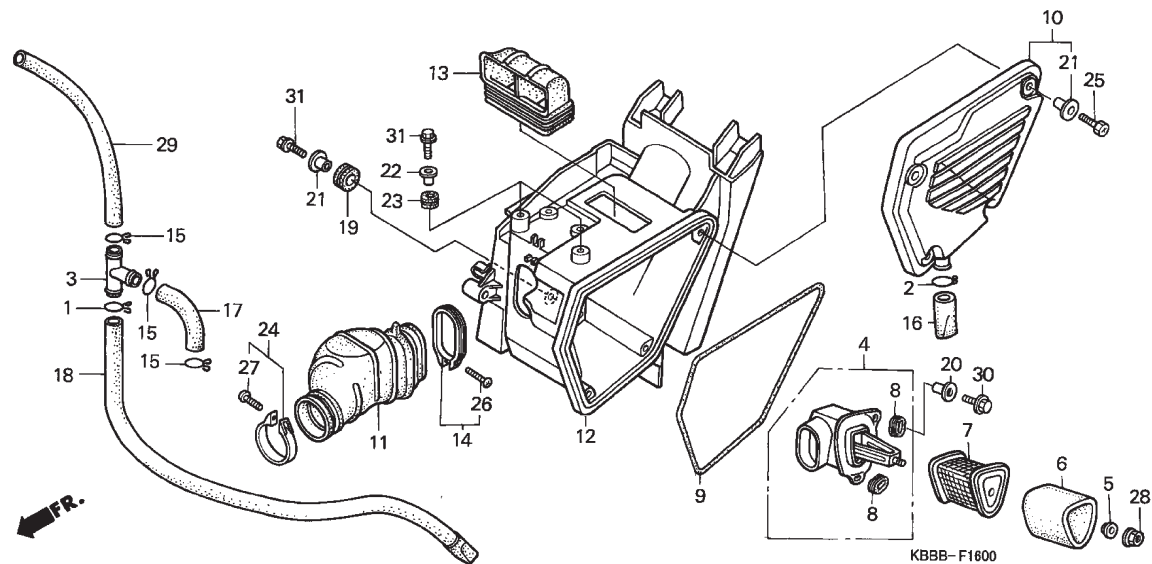


Back
Retour
Volver

Elément d'entretien	T.D.R.	No. de réf.	N° de pièce	Description	Q'té néc. XL200	N° de série	Codigo de Area
SUPPORT D'ELEMENT	0.1	1	15772-MN1-670	CIRCLIP B DE TUGE DE RENIFLARD	1
CONDUIT, ADMISSION DE FILTRE A AIR	0.2	2	15772-292-010	AGRAFE DE TUYAU DE RESPIRATION	1
• ELEMENT A DE FILTRE A AIR		3	15772-376-000	RACCORD A TROIS VOIES RESPIRATION	1
TUBE DE RACCORD FILTRE A AIR	0.4	4	17212-KBB-950	SUPPORT D'ASSEMBLAGE D'ELEMENT.....	1
• ENS. DE CARTER SECONDAIRE		5	17212-PA0-000	RONDELLE DE FILTRE	1
FILTRE A AIR 0.7		6	17213-KB7-000	ELEMENT A DE FILTRE A AIR	1
		7	17214-KV2-920	SUPPORT D'ELEMENT	1
		8	17216-KBB-950	CAOUTCHOUC, ELEMENT	2
		9	17219-KB7-000	JOINT DE COUVERCLE DE FILTRE A AIR	1
		10	17220-KB7-000	COUVERCLE DE BOITIER DE FILTRE A AIR	1
		11	17222-KBB-900	TUBE DE RACCORD FILTRE A AIR	1
		12	17210-KBB-980	ENS. DE CARTER SECONDAIRE, FILTRE A AIR	1
		13	17240-KBB-950	CONDUIT, ADMISSION DE FILTRE A AIR	1
		14	17256-KBB-900	COLLIER DE RACCORD DE FILTRE A AIR	1
		15	17316-MN1-670	CIRCLIP A DE TUBE DE RENIFLARD	3
		16	17358-170-000	TUYAU DE DRAINAGE	1
		17	17371-KBB-900	TUYAU A DE RESPIRATION	1
		18	17372-KBB-900	TUYAU B DE RESPIRATION	1
		19	80105-061-000	TAMPON A DE GARDE-BOUE AR	1
		20	83119-MG9-000	COLLIER DE FIXATION DE VERROU	2

Artículo de servicio	THLL	N° de ref.	No. de pieza	Descripción	Cant. Requerida XL200	No. de série	Code de Zone
SOPORTE, ELEMENTO	0.1	1	15772-MN1-670	PRESILLA B, TUBO VENTILACION	1
CONDUCTO DE EN. DE PURIFICADOR DE AIRE.0.2		2	15772-292-010	GRAPA, TUBO DE RESPIRADERO	1
• ELEMENTO A, LIMPIADOR DE AIRE		3	15772-376-000	UNION, TRES VIAS DE RESPIRADOR	1
TUBO DE CONEXION, LIMPIADOR DE AIRE	0.4	4	17212-KBB-950	TIRANTE, FIXATION DE ELEMENTO	1
SUBENS. CAJA, FILTRO AIRE	0.7	5	17212-PA0-000	ARANDELA, LIMPIADOR DE AIRE	1
		6	17213-KB7-000	ELEMENTO A, LIMPIADOR DE AIRE	1
		7	17214-KV2-920	SOPORTE, ELEMENTO.....	1
		8	17216-KBB-950	CAUCHO DE ELEMENTO	2
		9	17219-KB7-000	SELLADO, CUBIERTA DE LIMPIADOR DE AIRE	1
		10	17220-KB7-000	CUBIERTA, CAJA DE LIMPIADOR DE AIRE	1
		11	17222-KBB-900	TUBO DE CONEXION, LIMPIADOR DE AIRE	1
		12	17210-KBB-980	SUBENS. CAJA, FILTRO AIRE	1
		13	17240-KBB-950	CONDUCTO DE EN. DE PURIFICADOR DE AIRE	1
		14	17256-KBB-900	BANDA, TUBO CONECTOR DE LIMPIADOR DE AIRE	1
		15	17316-MN1-670	PRESILLA A, TUBO VENTILACION	3
		16	17358-170-000	TUBO, DRENAJE	1
		17	17371-KBB-900	TUBO A, RESPIRADERO	1
		18	17372-KBB-900	TUBO B, RESPIRADERO	1
		19	80105-061-000	COJIN A	1
		20	83119-MG9-000	COLLARIN, FIJACION DE CERRADURA	2

F-16
Air Cleaner
Filtre A Air
Limpiador de Aire



Service Item	F.R.T	Ref. N°	Part No.	Description	Qty. XL200	Serial No.	Note
		21	83601-357-000	COLLAR, COVER SETTING	5
		*	83601-KBZ-950	COLLAR, COVER SETTING	5
		22	90501-KBB-900	COLLAR, AIR CLEANER CASE	2
		23	90505-MC4-000	GROMMET A, AIR CLEANER CASE	2
		24	90652-KBB-910	BAND, AIR CLEANER CONNECTING TUBE (52)	1
		25	92301-06020-0A	BOLT, RECESSED, 6X20	4
		26	93500-05025-0G	SCREW, PAN, 5X25	1
		27	93500-05028-0G	SCREW, PAN, 5X28	1
		28	94050-06000	NUT, FLANGE, 6MM	1
		29	95005-12300-30	TUGE, 12X300 (95005-12001-30M)	1
		30	95701-06016-00	BOLT, FLANGE, 6X16	2
		31	95701-06020-00	BOLT, FLANGE, 6X20	3

3

Back
Retour
Volver

Elément d'entretien	T.D.R.	No. de réf.	N° de pièce	Description	Q'té néc. XL200	N° de série	Codigo de Area
		21	83601-357-000	COLLIER DE FIXATION DE COUVERCLE	5
		*	83601-KBZ-950	COLLIER DE FIXATION DE COUVERCLE	5
		22	90501-KBB-900	COLLIER DE BOITIER DE FILTRE A AIR	2
		23	90505-MC4-000	ANNEAU A DE BOITIER DE FILTRE A AIR	2
		24	90652-KBB-910	COLLIER DE RACCORD DE FILTRE A AIR (52)	1
		25	92301-06020-0A	BOULON CREUX, 6X20	4
		26	93500-05025-0G	VIS A TETE CYLINDRIQUE, 5X25	1
		27	93500-05028-0G	VIS A TETE CYLINDRIQUE, 5X28	1
		28	94050-06000	ECROU DE BRIDE, 6MM	1
		29	95005-12300-30	TUGE, 12X300 (95005-12001-30M).....	1
		30	95701-06016-00	BOULON DE BRIDE, 6X16	2
		31	95701-06020-00	BOULON DE BRIDE, 6X20	3
Artículo de servicio	THLL	N° de ref.	No. de pieza	Descripción	Cant. Requerida XL200	No. de série	Code de Zone
		21	83601-357-000	COLLARIN, FIJACION DE CUBIERTA.....	5
		*	83601-KBZ-950	COLLARIN, FIJACION DE CUBIERTA.....	5
		22	90501-KBB-900	COLLARIN, CAJA DE LIMPIADOR RE AIRE	2
		23	90505-MC4-000	ANILLO A, CAJA DEL LIMPIADOR DE AIRE	2
		24	90652-KBB-910	BANDA, TUBO CONECTOR DE LIMPIADOR DE AIRE (52) ...	1
		25	92301-06020-0A	PERNO, HUECO, 6X20.....	4
		26	93500-05025-0G	TORNILLO ALOMADO, 5X25	1
		27	93500-05028-0G	TORNILLO ALOMADO, 5X28	1
		28	94050-06000	TUERCA DE REBORDE, 6MM	1
		29	95005-12300-30	TUBO, 12X300 (95005-12001-30M)	1
		30	95701-06016-00	PERNO DE REBORDE, 6X16	2
		31	95701-06020-00	PERNO DE REBORDE, 6X20	3

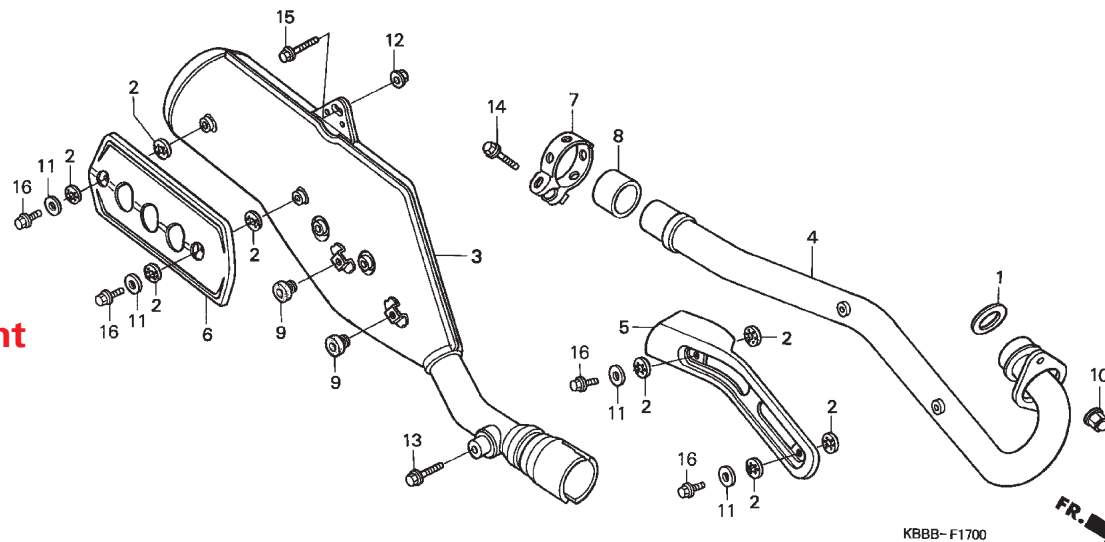


F-17

Exhaust Muffler

Silencieux Déchappement

Silenciador de Escape



Service Item	F.R.T	Ref. N°	Part No.	Description	Qty. XL200	Serial No.	Note
PROTECTOR, EX. PIPE.....	0.1	1	18291-216-000	GASKET A, EX. PIPE.....	1
MUFFLER COMP.	0.2	*	18291-KGA-E00	GASKET A, EX. PIPE.....	1
• PIPE, EX.		2	18292-415-000	PACKING, PROTECTOR.....	8
		*	18292-MM9-740	PACKING, PROTECTOR.....	8
		3	18310-KBB-950	MUFFLER COMP.....	1
		*	18310-KBB-951	MUFFLER COMP.....	1
		4	18320-KBB-950	PIPE, EX.....	1
		5	18321-KY7-000	PROTECTOR, EX. PIPE.....	1
		*	18321-KFC-900	PROTECTOR, EX. PIPE.....	1
		6	18355-KBB-900	PROTECTOR, MUFFLER.....	1
		7	18374-ML0-000	BAND, L. EX. PIPE.....	1
		8	18392-HA7-710	PACKING, EX.....	1
		9	83512-KA4-700	RUBBER, SIDE COVER.....	2
		*	83512-KPS-730	RUBBER, SIDE COVER.....	2
		10	90304-KBB-900	NUT, CAP, 7MM.....	2
		11	94050-10000	NUT, FLANGE, 10MM.....	1
		12	94101-06200	WASHER, PLAIN, 6MM.....	4
		13	95701-08020-00	BOLT, FLANGE, 8X20.....	1
		14	95701-08032-02	BOLT, FLANGE, 8X32.....	1
		15	95701-10016-00	BOLT, FLANGE, 10X16.....	1
		16	96001-06012-02	BOLT, FLANGE, 6X12.....	4

3



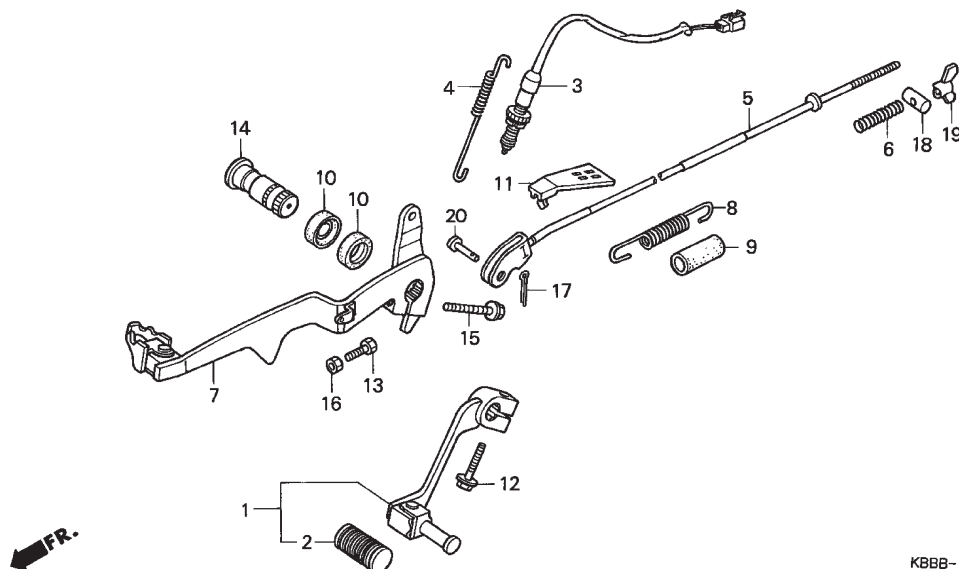
Back
Retour
Volver

Elément d'entretien	T.D.R.	No. de réf.	N° de pièce	Description	Q'té néc. XL200	N° de série	Codigo de Area
PROTECTEUR, POT ECHAPPEMENT0.1		1	18291-216-000	JOINT A DE TUYAU D'ECHAPPEMENT.....	1		
TUYAU D'ECHAPPEMENT COMP0.2		*	18291-KGA-E00	JOINT A DE TUYAU D'ECHAPPEMENT.....	1		
• TUYAU D'ECHAPPEMENT		2	18292-415-000	JOINT DE PROTECTION	8		
		*	18292-MM9-740	JOINT DE PROTECTION	8		
		3	18310-KBB-950	TUYAU D'ECHAPPEMENT COMP	1		
		*	18310-KBB-951	TUYAU D'ECHAPPEMENT COMP	1		
		4	18320-KBB-950	TUYAU D'ECHAPPEMENT.....	1		
		5	18321-KY7-000	PROTECTEUR, POT ECHAPPEMENT	1		
		*	18321-KFC-900	PROTECTEUR, POT ECHAPPEMENT	1		
		6	18355-KBB-900	PROTECTION DE POT D'ECHAPPEMENT	1		
		7	18374-MLO-000	BANDE DE TUYAU D'ECHAPPEMENT G.	1		
		8	18392-HA7-710	JOINT D'ECHAPPEMENT	1		
		9	83512-KA4-700	CAOUTCHOUC DE CONVERCLE LATERAL	2		
		*	83512-KPS-730	CAOUTCHOUC DE CONVERCLE LATERAL	2		
		10	90304-KBB-900	ECROU DE CHAPEAU, 7MM.....	2		
		11	94050-10000	ECROU DE BRIDE, 10MM	1		
		12	94101-06200	RONDELLE PLATE, 6MM	4		
		13	95701-08020-00	BOULON DE BRIDE, 8X20	1		
		14	95701-08032-02	BOULON DE BRIDE, 8X32	1		
		15	95701-10016-00	BOULON DE BRIDE, 10X16	1		
		16	96001-06012-02	BOULON DE BRIDE, 6X12.....	4		

Artículo de servicio	THLL	N° de ref.	No. de pieza	Descripción	Cant. Requerida XL200	No. de série	Code de Zone
PROTECTOR, TUBO DE ESCAPE0.1		1	18291-216-000	EMPAQUETADO A, TUBO DE ESCAPE	1		
COMP. DE SILENCIADOR.....0.2		*	18291-KGA-E00	EMPAQUETADO A, TUBO DE ESCAPE	1		
• TUBO DE ESCAPE		2	18292-415-000	EMPAQUE, PROTECTOR.....	8		
		*	18292-MM9-740	EMPAQUE, PROTECTOR.....	8		
		3	18310-KBB-950	COMP. DE SILENCIADOR	1		
		*	18310-KBB-951	COMP. DE SILENCIADOR	1		
		4	18320-KBB-950	TUBO DE ESCAPE	1		
		5	18321-KY7-000	PROTECTOR, TUBO DE ESCAPE	1		
		*	18321-KFC-900	PROTECTOR, TUBO DE ESCAPE	1		
		6	18355-KBB-900	PROTECTOR, SILENCIADOR.....	1		
		7	18374-MLO-000	BANDA, TUBO DE ESCAPE IZO.	1		
		8	18392-HA7-710	EMPAQUE, ESCAPE	1		
		9	83512-KA4-700	GOMA, CUBIERTA LATERAL.....	2		
		*	83512-KPS-730	GOMA, CUBIERTA LATERAL.....	2		
		10	90304-KBB-900	TUERCA, TAPA, 7MM.....	2		
		11	94050-10000	TUERCA DE REBORDE, 10MM	1		
		12	94101-06200	ARANDELA SENCILLA, 6MM	4		
		13	95701-08020-00	PERNO DE REBORDE, 8X20	1		
		14	95701-08032-02	PERNO DE REBORDE, 8X32	1		
		15	95701-10016-00	PERNO DE REBORDE, 10X16	1		
		16	96001-06012-02	PERNO DE REBORDE, 6X12	4		

F-18

Pedal
Pedale
Pedal



KBBB-F1800

Service Item	F.R.T	Ref. N°	Part No.	Description	Qty. XL200	Serial No.	Note
PEDAL ASSY., CHANGE.....	0.1	1	24700-KBB-900	PEDAL ASSY., CHANCE.....	1
ROD COMP., RR. BRAKE.....	0.3	2	24781-KE1-000	RUBBER, CHANGE PEDAL.....	1
• SWITCH ASSY., RR. STOP.....		3	35350-KBB-900	SWITCH ASSY., RR. STOP.....	1
PEDAL COMP., BRAKE.....	0.5	4	35357-KBB-950	SPRING, STOP SWITCH.....	1
		5	43451-KBB-950	ROD COMP., RR. BRAKE.....	1
		6	43472-KB9-750	SPRING A, BRAKE ROD.....	1
		7	46500-KBB-950	PEDAL COMP., BRAKE.....	1
		8	46513-KY7-000	SPRING SET, BRAKE PEDAL.....	1
		9	46515-KY7-000	TUBE, BRAKE PEDAL SPRING.....	1
		10	46525-KK0-003	DUST SEAL, 17X20X2.5.....	2
		11	46526-KY7-000	PROTECTOR, MIDDLE ARM.....	1
		12	90010-ML0-720	BOLT, FLANGE, 6X20.....	1
		13	90101-KBB-900	BOLT, HEX., 6X25.....	1
		14	90101-KW8-900	SHAFT, RR. BRAKE PIVOT.....	1
		15	90155-KBB-900	BOLT, FLANGE, 8X26.....	1
		16	94002-06000-0S	NUT, HEX., 6MM.....	1
		17	94201-20120	PIN, SPLIT, 2.0X12.....	1
		18	95015-32001	JOINT B, BRAKE ARM.....	1
		19	95015-42000	NUT B, BRAKE ROD ADJUSTING.....	1
		20	95015-53000	PIN C, JOINT.....	1

3

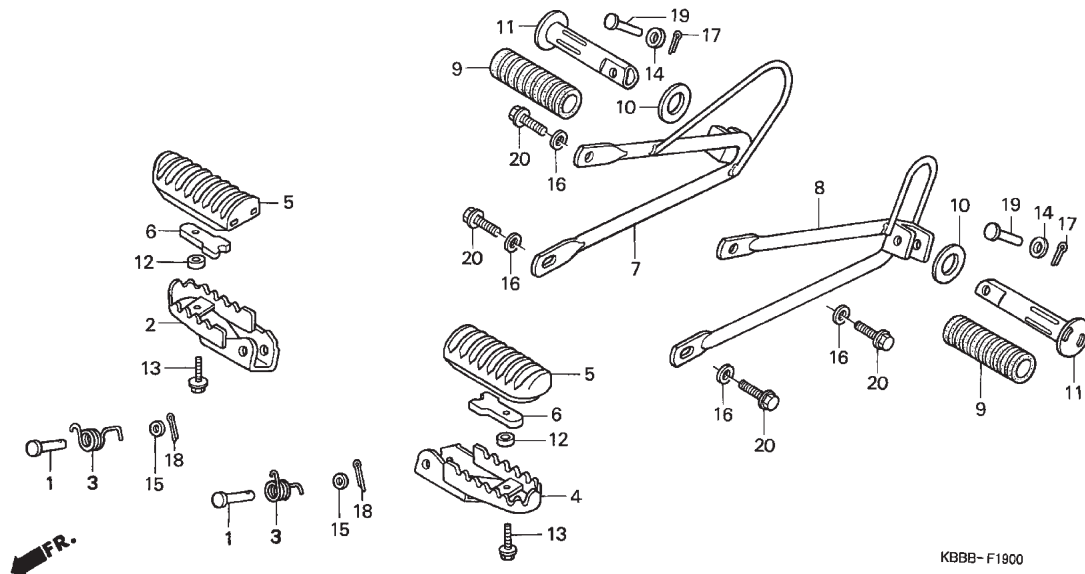
Back
Retour
Volver

Elément d'entretien	T.D.R.	No. de réf.	N° de pièce	Description	Q'té néc. XL200	N° de série	Codigo de Area
ENS. PEDALE DE CHANGEMENT	0.1	1	24700-KBB-900	ENS. PEDALE DE CHANGEMENT	1
• TIGE COMP. FREIN AR	0.3	2	24781-KE1-000	CAOUTCHOUC DE PEDALE CHANGEMENT	1
• ENS. INTERRUPTEUR DE FEU STOP AR	0.5	3	35350-KBB-900	ENS. INTERRUPTEUR DE FEU STOP AR	1
PEDALE FREIN COMP.	0.5	4	35357-KBB-950	RESSORT D'INTERRUPTEUR STOP	1
		5	43451-KBB-950	TIGE COMP. FREIN AR	1
		6	43472-KB9-750	RESSORT A DE TIGE DE FREIN	1
		7	46500-KBB-950	PEDALE FREIN COMP	1
		8	46513-KY7-000	JEU DE RESSORT DE PEDALE DE FREIN	1
		9	46515-KY7-000	TUYAU DE RESSORT DE PEDALE DE FREIN	1
		10	46525-KK0-003	CACHE-POUSSIÈRE, 17X20X2.5	2
		11	46526-KY7-000	BRAS MOYEN DE PROTECTEUR	1
		12	90010-ML0-720	BOULON DE BRIDE, 6X20	1
		13	90101-KBB-900	BOULON HEX., 6X25	1
		14	90101-KW8-900	ARBRE DE PIVOT DE FREIN AR	1
		15	90155-KBB-900	BOULON DE BRIDE, 8X26	1
		16	94002-06000-0S	ECROU HEX., 6MM	1
		17	94201-20120	GOUPILLE FENDUE, 2.0X12	1
		18	95015-32001	RACCORD B DE BRAS DE FREIN	1
		19	95015-42000	ECROU B DE REGLAGE DE TIGE DE FREIN	1
		20	95015-53000	GOUPILLE C, RACCORD	1

Artículo de servicio	THLL	N° de ref.	No. de pieza	Descripción	Cant. Requerida XL200	No. de série	Code de Zone
CONJUNTO PEDAL, CAMBIOS	0.1	1	24700-KBB-900	CONJUNTO PEDAL, CAMBIOS	1
• COMP. DE VARILLA, FRENO TRAS	0.3	2	24781-KE1-000	GOMA, PEDAL DE CAMBIOS	1
• ENS. DE INTERRUPTOR, PARADA TRAS	0.5	3	35350-KBB-900	ENS. DE INTERRUPTOR, PARADA TRAS	1
COMP. DE PEDAL, FRENO	0.5	4	35357-KBB-950	RESORTE, INTERRUPTOR DE PARADAS	1
		5	43451-KBB-950	COMP. DE VARILLA, FRENO TRAS	1
		6	43472-KB9-750	RESORTE A, VARILLA DE FRENO	1
		7	46500-KBB-950	COMP. DE PEDAL, FRENO	1
		8	46513-KY7-000	JUEGO DE RESORTE DEL PEDAL DEL FRENO	1
		9	46515-KY7-000	TUBO, RESORTE DE PEDAL DE FRENO	1
		10	46525-KK0-003	GUARDAPOLVO, 17X20X2.5	2
		11	46526-KY7-000	PROTECTOR, BRAZO MEDIO	1
		12	90010-ML0-720	PERNO DE REBORDE, 6X20	1
		13	90101-KBB-900	PERNO, HEX., 6X25	1
		14	90101-KW8-900	EJE, PIVOTE DE FRENO TRAS	1
		15	90155-KBB-900	PERNO DE REBORDE, 8X26	1
		16	94002-06000-0S	TUERCA, HEX., 6MM	1
		17	94201-20120	PASADOR DE ALETAS, 2.0X12	1
		18	95015-32001	UNION B, BRAZO DE FRENO	1
		19	95015-42000	TUERCA DE AJUSTE B, VARILLA DE FRENO	1
		20	95015-53000	PASADOR C, UNION	1

F-19

Step Marche Estribo



KBBB-F1900

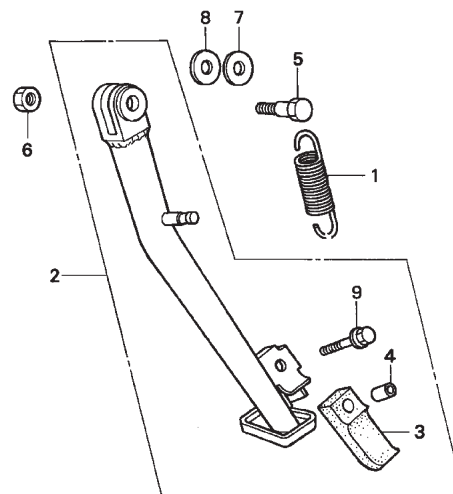
Service Item	F.R.T	Ref. N°	Part No.	Description	Qty. XL200	Serial No.	Note
BAR, PILLION STEP0.1 (INC. RELATIVE PART)		1	50603-033-010	PIN, STEP BAR JOINT	2
• BRACKET COMP., L. PILLION STEP		2	50612-KBB-900	STEP COMP., R.	1
• BRACKET COMP., R. PILLION STEP		3	50617-466-000	SPRING, STEP RETURN	2
• RUBBER, STEP		4	50642-KBB-900	STEP COMP., L.	1
STEP COMP., L.0.2 (ADD 0.1 FOR EACH.) .		5	50661-KAS-900	RUBBER, STEP	2
• STEP COMP., R.		*	50661-KRH-D20	RUBBER, STEP	2
		6	50662-KAS-900	PLATE, STEP RUBBER SETTING	2
		7	50701-KFC-900	BRACKET COMP., R. PILLION STEP	1
		8	50702-KFC-900	BRACKET COMP., L. PILLION STEP	1
		9	50710-KB7-000	RUBBER, PILLION STEP	2
		10	50712-405-000	WASHER, PILLION STEP	2
		11	50715-KW8-920	BAR, PILLION STEP	2
		12	52156-KAS-900	COLLAR, 6.5X4	2
		13	90112-GW3-000	BOLT, FLANGE, 6X14	2
		14	94101-06000	WASHER, PLAIN, 6MM	2
		15	94101-08000	WASHER, PLAIN, 8MM	2
		16	94101-08700	WASHER, PLAIN, 8MM	4
		17	94201-16150	PIN, SPLIT, 1.6X15	2
		18	94201-20150	PIN, SPLIT, 2.0X15	2
		19	95015-81000	PIN A, PILLION STEP	2
		20	95701-08018-07	BOLT, FLANGE, 8X18	4

3

Back
Retour
Volver

Elément d'entretien	T.D.R.	No. de réf.	N° de pièce	Description	Q'té néc. XL200	N° de série	Codigo de Area
<ul style="list-style-type: none"> • BARRE MARCHE-PIED SELLE AR.0.1 (PIECES RELATIVES Y COMPRISES) • SUPPORT COMP. DE MARCHE-PIED G. DE SIEGE DE PASSAGER • SUPPORT COMP. DE MARCHE-PIED D. DE SIEGE DE PASSAGER • CAOUTCHOUC DE REPOSE-PIEDS REPOSE-PIEDS COMP. D.0.2 (AJOUTER 0.1 POUR CHAQUE.) • REPOSE PIEDS COMP. D. 	1	50603-033-010	AXE DE JOINT DE REPOSE-PIEDS	2
	2	50612-KBB-900	REPOSE-PIEDS COMP. D.	1
	3	50617-466-000	RESSORT DE RAPPEL DE REPOSE PIEDS	2
	4	50642-KBB-900	REPOSE PIEDS COMP. G.	1
	5	50661-KAS-900	CAOUTCHOUC DE REPOSE-PIEDS	2
	*	50661-KRH-D20	CAOUTCHOUC DE REPOSE-PIEDS	2
	6	50662-KAS-900	PLAQUE, AJUSTEMENT CAOUTCHOUC DE MARCHEPIED.	2
	7	50701-KFC-900	SUPPORT COMP. DE MARCHE-PIED D. DE SIEGE DE PASSAGER	1
	8	50702-KFC-900	SUPPORT COMP. DE MARCHE-PIED G. DE SIEGE DE PASSAGER	1
	9	50710-KB7-000	CAOUTCHOUC DE MARCHE-PIED SELLE AR	2
	10	50712-405-000	RONDELLE DE MARCHE-PIED SELLE AR	2
	11	50715-KW8-920	BARRE MARCHE-PIED SELLE AR	2
	12	52156-KAS-900	COLLIER, 6.5X4	2
	13	90112-GW3-000	BOULON DE BRIDE, 6X14	2
	14	94101-06000	RONDELLE PLATE, 6MM	2
	15	94101-08000	RONDELLE PLATE, 8MM	2
	16	94101-08700	RONDELLE PLATE, 8MM	4
	17	94201-16150	GOUPILLE FENDUE, 1.6X15	2
	18	94201-20150	GOUPILLE FENDUE, 2.0X15	2
	19	95015-81000	GOUPILLE A DE MARCHE-PIED SELLE AR	2
20	95701-08018-07	BOULON DE BRIDE, 8X18	4	
Artículo de servicio	THLL	N° de ref.	No. de pieza	Descripción	Cant. Requerida XL200	No. de série	Code de Zone
<ul style="list-style-type: none"> • BARRA, ESTRIBO DE ASIENTO TRAS.0.1 (INCLUSIVE PIEZAS RELACIONADAS) • GOMA DE ESTRIBO • PIEZA SUJECCION COMP., ESTRIBO DEL PORTAEQUIPAJES DER. • PIEZA SUJECCION COMP., ESTRIBO DEL PORTAEQUIPAJES IZQ. COMP. DE ESTRIBO, IZQ.0.2 (AGREGUE 0.1 DE CADA.) • COMP. DE ESTRIBO, DER 	1	50603-033-010	ESPIGA DE UNION, BARRA DE ESTRIBO	2
	2	50612-KBB-900	COMP. DE ESTRIBO, DER	1
	3	50617-466-000	RESORTE, RETORNO DE ESTRIBO	2
	4	50642-KBB-900	COMP. DE ESTRIBO, IZQ.	1
	5	50661-KAS-900	GOMA DE ESTRIBO	2
	*	50661-KRH-D20	GOMA DE ESTRIBO	2
	6	50662-KAS-900	PLACA DE AJUSTE DE CAUCHO DE ESTRIBO	2
	7	50701-KFC-900	PIEZA SUJECCION COMP., ESTRIBO DEL PORTAEQUIPAJES DER.	1
	8	50702-KFC-900	PIEZA SUJECCION COMP., ESTRIBO DEL PORTAEQUIPAJES IZQ.	1
	9	50710-KB7-000	GOMA, ESTRIBO DE ASIENTO TRAS.	2
	10	50712-405-000	ARANDELA, ESTRIBO DE ASIENTO TRAS.	2
	11	50715-KW8-920	BARRA, ESTRIBO DE ASIENTO TRAS.	2
	12	52156-KAS-900	COLLARIN, 6.5X4	2
	13	90112-GW3-000	PERNO DE REBORDE, 6X14	2
	14	94101-06000	ARANDELA SENCILLA, 6MM	2
	15	94101-08000	ARANDELA SENCILLA, 8MM	2
	16	94101-08700	ARANDELA SENCILLA, 8MM	4
	17	94201-16150	PASADOR DE ALETAS, 1.6X15	2
	18	94201-20150	PASADOR DE ALETAS, 2.0X15	2
	19	95015-81000	ESPIGA A, ESTRIBO DE ASIENTO TRAS.	2
20	95701-08018-07	PERNO DE REBORDE, 8X18	4	

F-20
Side Stand
Bequille Laterale
Soporte Lateral



KBBB-F2000

Service Item	F.R.T	Ref. N°	Part No.	Description	Qty. XL200	Serial No.	Note
SPRING, SIDE STAND.....	0.1	1	50535-ML6-670	SPRING, SIDE STAND.....	1
BAR ASSY., SIDE STAND.....	0.2	2	50540-KBB-980	BAR ASSY., SIDE STAND.....	1
		3	50548-356-700	RUBBER, STAND.....	1
		*	50548-KRE-690	RUBBER, STAND.....	1
		4	50549-356-700	COLLAR, STAND RUBBER SETTING.....	1
		5	90108-KV6-000	SCREW, SIDE STAND PIVOT.....	1
		6	90304-GE8-003	NUT, U, 10MM.....	1
		7	90501-MF9-710	WASHER, THRUST,24X13.....	1
		8	90502-MF9-710	WASHER, THRUST, 24X10.....	1
		9	95701-06025-07	BOLT, FLANGE, 6X25.....	1

3

Back
Retour
Volver

Elément d'entretien	T.D.R.	No. de réf.	N° de pièce	Description	Q'té néc. XL200	N° de série	Codigo de Area
RESSORT DE BEQUILLE LATERALE0.1		1	50535-ML6-670	RESSORT DE BEQUILLE LATERALE	1
ENS. BARRE DE BEQUILLE LATERALE0.2		2	50540-KBB-980	ENS. BARRE DE BEQUILLE LATERALE	1
		3	50548-356-700	CAOUTCHOUC DE BEQUILLE	1
		*	50548-KRE-690	CAOUTCHOUC DE BEQUILLE	1
		4	50549-356-700	COLLIER DE FIXATION DE CAOUTCHOUC DE BEQUILLE ...	1
		5	90108-KV6-000	VIS DE PIVOT DE BEQUILLE LATERALE	1
		6	90304-GE8-003	ECROU U, 10MM	1
		7	90501-MF9-710	RONDELLE DE BUTEE, 24X13	1
		8	90502-MF9-710	RONDELLE DE BUTEE, 24X10	1
		9	95701-06025-07	BOULON DE BRIDE, 6X25	1

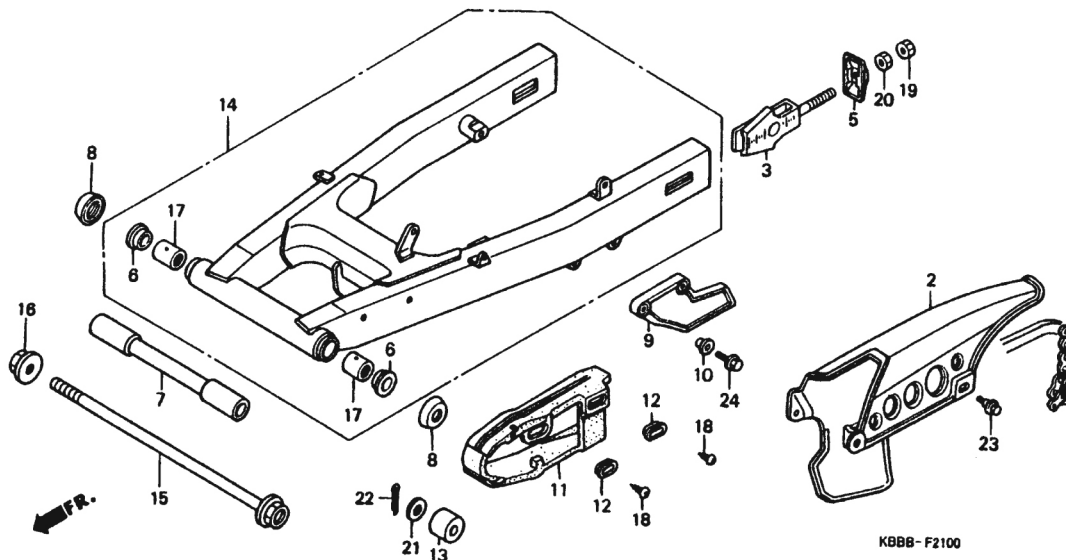
Artículo de servicio	THLL	N° de ref.	No. de pieza	Descripción	Cant. Requerida XL200	No. de série	Code de Zone
RESORTE, ESTANTE LATERAL.....0.1		1	50535-ML6-670	RESORTE, ESTANTE LATERAL	1
ENS. DE BARRA, ESTANTE LATERAL0.2		2	50540-KBB-980	ENS. DE BARRA, ESTANTE LATERAL	1
		3	50548-356-700	GOMA DE ESTANTE	1
		*	50548-KRE-690	GOMA DE ESTANTE	1
		4	50549-356-700	COLLARIN DE FIJACION, GOMA DE ESTANTE	1
		5	90108-KV6-000	PERNO, PIVOTE DE ESTANTE LATERAL	1
		6	90304-GE8-003	ECROU, U, 10MM	1
		7	90501-MF9-710	ARANDELA DE EMPUJE, 24X13	1
		8	90502-MF9-710	ARANDELA DE EMPUJE, 24X10	1
		9	95701-06025-07	PERNO DE REBORDE, 6X25	1

F-21

Swingarm • Chain Case

Bras Oscillant • Carter de Chaîne

Brazo de Oscilacion • Caja de Cadena



3

Back
Retour
Volver

Service Item	F.R.T	Ref. N°	Part No.	Description	Qty. XL200	Serial No.	Note
CASE, DRIVE CHAIN0.1		1	40530-KW6-901	CHAIN SET, DRIVE (DAIDO) (DID520 108)	1
• GUARD, CHAIN		2	40510-KBB-950	CASE, DRIVE CHAIN	1
CHAIN SET, DRIVE0.2		3	40543-KBW-950	ADJUSTER, CHAIN	2
SLIDER, CHAIN0.3		5	52109-430-300	BUSH, PIVOT THRUST	2
COLLAR, RR. FORK CENTER0.6		6	52141-KY7-000	COLLAR, RR. FORK CENTER	1
SWINGARM SET, RR.0.9		7	52144-356-003	CAP, SWINGARM DUST SEAL (ARAI)	2
BEARING, SWINGARM PIVOT1.0			52144-356-005	CAP, SWINGARM DUST SEAL (NOK)	2
(ADD 0.2 FOR EACH.)		8	52156-KB7-000	GUARD, CHAIN	1
		9	52159-KB7-000	COLLAR, CHAIN GUARD	2
STANDARD LINK NUMBER OF FACTORY		10	52170-KBB-901	SLIDER, CHAIN	1
XL200	108 L	11	52171-KR6-000	WASHER, CHAIN SLIDER	2
		12	52175-KBB-900	SLIDER, CHAIN LOWER	1
		13	52200-KBB-930	SWINGARM SET, RR.	1
		14	90121-KY7-000	BOLT, RR. FORK PIVOT	1
		15	90305-GE8-003	NUT, U, 14MM	1
		16	91071-MA0-003	BEARING, SWINGARM PIVOT (NTN)	2
			91071-MA0-004	BEARING, SWINGARM PIVOT (TOMUSON)	2

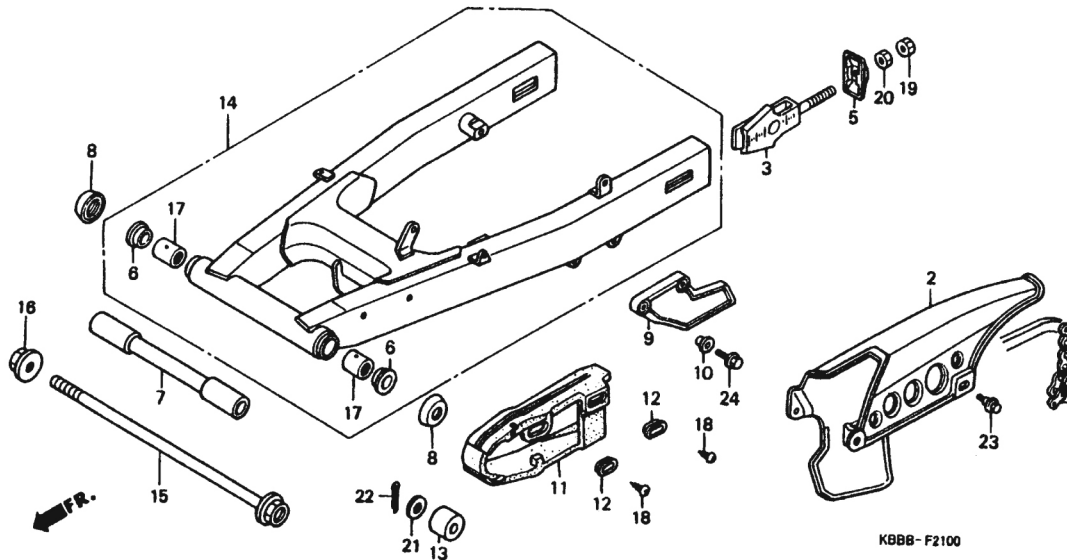
Elément d'entretien	T.D.R.	No. de réf.	N° de pièce	Description	Q'té néc. XL200	N° de série	Codigo de Area		
CARTER DE CHAINE DE COMMANDE0.1		1	40530-KW6-901	JEU DE CHAINE DE COMANDE (DAIDO)(DID520 108)	1		
• GARDE DE CHAINE.....									
JEU DE CHAINE DE COMMANDE.....0.2		2	40510-KBB-950	CÁRTER DE CHAINE DE COMANDE.....	1		
COULISSEAU, CHAINE0.3		3	40543-KBW-950	REGLAGE DE CHAINE	2		
COLLIER CENTRAL DE FOURCHE AR0.6		5	52109-430-300	BAGUE DE BUTEE DE PIVOT	2		
BRAS OSCILLANT, AR0.9		6	52141-KY7-000	COLLIER CENTRAL DE FOURCHE AR	1		
ROULEMENT, PIVOT DE BRAS OSCILLANT1.0 (AJOUTER 0.2 POUR CHAQUE)		7	52144-356-003	BOUCHON, JOINT ANTI-POUSSIÈRE DE BRAS OSCILLANT (ARAI).....	2		
			52144-356-005	BOUCHON, JOINT ANTI-POUSSIÈRE DE BRAS OSCILLANT (NOK)	2		
		8	52156-KB7-000	GARDE DE CHAINE	1		
		9	52159-KB7-000	COLLIER DE GARDE DE CHAIN	2		
		10	52170-KBB-901	COULISSEAU, CHAINE.....	1		
		11	52171-KR6-000	RONDELLE DE COULISSEAU DE CHAINE.....	2		
		12	52175-KBB-900	COULISSEAU INFERIEUR DE CHAINE.....	1		
		13	52200-KBB-930	BRÁS OSCILLANT, AR	1		
		14	90121-KY7-000	BOULON DE PIVOT DE FOURCHE AR	1		
		15	90305-GE8-003	ECROU U, 14MM.....	1		
		16	91071-MA0-003	ROULEMENT, PIVOT DE BRAS OSCILLANT (NTN)	2		
			91071-MA0-004	ROULEMENT, PIVOT DE BRAS OSCILLANT (TOMUSON)	2		
NOMBRE DE MAILLONS STANDARD, RÉGLAGE D'USINE									
<table border="1"> <tr> <td>XL200</td> <td>108 L</td> </tr> </table>		XL200	108 L						
XL200	108 L								
Artículo de servicio	THLL	N° de ref.	No. de pieza	Descripción	Cant. Requerida XL200	No. de série	Code de Zone		
CAJA, CADENA DE MANDO.....0.1		1	40530-KW6-901	JUEGO DE CADENA, MANDO (DAIDO) (DID520 108).....	1		
• GUARDA, CADENA		2	40510-KBB-950	CAJA, CADENA DE MANDO	1		
JUEGO DE CADENA, MANDO.....0.2		3	40543-KBW-950	AJUSTADOR, CADENA.....	2		
DESLIZADOR DE CADENA0.3		5	52109-430-300	BUJE DE EMPUJE, PIVOTE	2		
COLLARIN CENTRAL, HORQUILLA TRAS.....0.6		6	52141-KY7-000	COLLARIN CENTRAL, HORQUILLA TRAS.....	1		
JUEGO DE BRAZO OSCILANTE, DEL.....0.9		7	52144-356-003	TAPA, SELLO CONTRA POLVO BRAZO OSCILANTE (ARAI)....	2		
COJINETE, PIVOTE DEL BRAZO OSCILANTE1.0 (AGREGUE 0.2 DE CADA)			52144-356-005	TAPA, SELLO CONTRA POLVO BRAZO OSCILANTE (NOK)	2		
		8	52156-KB7-000	GUARDA, CADENA	1		
		9	52159-KB7-000	COLLARIN, CADENA GUARDA	2		
		10	52170-KBB-901	DESLIZADOR DE CADENA	1		
		11	52171-KR6-000	ARANDELA, DESLIZADOR CADENA.....	2		
		12	52175-KBB-900	DESLIZADOR, INFERIOR DE CADENA.....	1		
		13	52200-KBB-930	JUEGO DE BRAZO OSCILANTE, DEL	1		
		14	90121-KY7-000	PERNO, PIVOTE DE HORQUILLA TRAS.....	1		
		15	90305-GE8-003	ECROU, U, 14MM.....	1		
		16	91071-MA0-003	COJINETE, PIVOTE DEL BRAZO OSCILANTE (NTN).....	2		
			91071-MA0-004	COJINETE, PIVOTE DEL BRAZO OSCILANTE (TOMUSON) ..	2		
NÚMERO ELOS STANDARD									
<table border="1"> <tr> <td>XL200</td> <td>108 L</td> </tr> </table>		XL200	108 L						
XL200	108 L								

F-21

Swingarm • Chain Case

**Bras Oscillant
• Carter de Chaîne**

**Braço de Oscilação
• Caixa de Cadena**



Service Item	F.R.T	Ref. N°	Part No.	Description	Qty. XL200	Serial No.	Note
		17	93901-25080	SCREW, TAPPING, 5X8	2
		18	94001-08000-0S	NUT, HEX., 8MM.....	2
		19	94030-08000	NUT, HEX., 8MM.....	2
		20	94102-08700	WASHER, PLAIN, 8MM	1
		21	94201-20150	PIN, SPLIT, 2.0X15	1
		22	95701-06010-00	BOLT, FLANGE, 6X10	3
		23	95701-06020-00	BOLT, FLANGE, 6X20	2

3



Back
Retour
Volver

Elément d'entretien	T.D.R.	No. de réf.	N° de pièce	Description	Q'té néc. XL200	N° de série	Codigo de Area
		17	93901-25080	VIS AUTO-TARAUDEUSE, 5X8	2
		18	94001-08000-0S	ECROU HEX., 8MM	2
		19	94030-08000	ECROU HEX., 8MM	2
		20	94102-08700	RONDELLE PLATE, 5MM	1
		21	94201-20150	GOUPILLE FENDUE, 2.0X15	1
		22	95701-06010-00	BOULON DE BRIDE, 6X10	3
		23	95701-06020-00	BOULON DE BRIDE, 6X20	2

Artículo de servicio	THLL	N° de ref.	No. de pieza	Descripción	Cant. Requerida XL200	No. de série	Code de Zone
		17	93901-25080	TORNILLO, ATERRAJAR, 5X8	2
		18	94001-08000-0S	TUERCA, HEX., 8MM	2
		19	94030-08000	TUERCA, HEX., 8MM	2
		20	94102-08700	ARANDELA SENCILLA, 8MM	1
		21	94201-20150	PASADOR DE ALETAS, 2.0X15	1
		22	95701-06010-00	PERNO DE REBORDE, 6X10	3
		23	95701-06020-00	PERNO DE REBORDE, 6X20	2

3



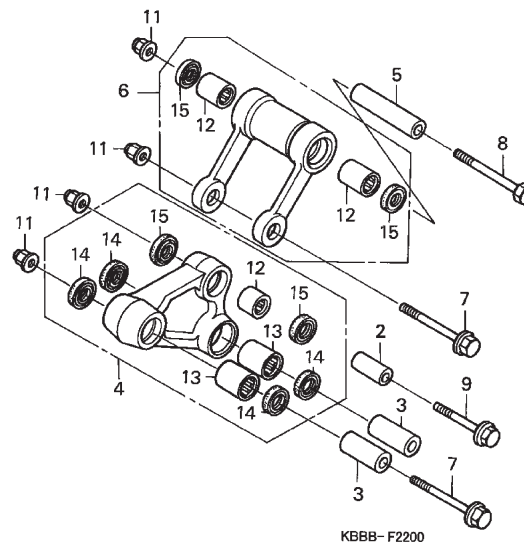
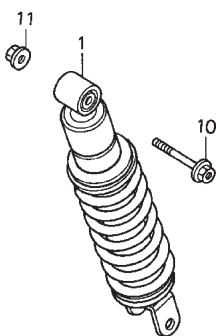
Back
Retour
Volver

F-22

Rear Cushion

Coussin Arriere

Almohadilla Trasera



3



Back
Retour
Volver

Service Item	F.R.T	Ref. N°	Part No.	Description	Qty. XL200	Serial No.	Note
COLLAR A, CUSHION ARM.....	0.3	1	52400-KBB-980ZA	CUSHION ASSY., RR.....	1
• COLLAR, CUSHION CONNECTING ROD		*	52400-KBB-981ZA	CUSHION ASSY., RR *R-134* FIGHTING RED.....	1
ARM SET, CUSHION.....	0.4	2	52463-KY7-000	COLLAR B, CUSHION ARM.....	1
• ROD SET, CUSHION CONNECTING		3	52464-KY7-000	COLLAR A, CUSHION ARM.....	2
CUSHION ASSY., RR.....	0.5	4	52469-KBB-305	ARM SET, CUSHION.....	1
BEARING, CUSHION ARM.....	0.6	5	52473-KY7-000	COLLAR, CUSHION CONNECTING ROD.....	1
(ADD 0.2 FOR EACH.)		6	52479-KBB-305	ROD SET, CUSHION CONNECTING.....	1
• BEARING, NEEDLE, 16X22X19		7	90130-KBB-900	BOLT, FLANGE, 10X76.....	2
(ADD 0.2 FOR EACH.)		8	90150-KBB-950	BOLT, HEX., 10X94.....	1
		9	90153-KBB-900	BOLT, FLANGE, 10X53.....	1
		10	90157-KB7-940	BOLT, FLANGE, 10X65.....	1
		11	90304-GE8-003	NUT, U, 10MM.....	5
		12	91071-KBB-901	BEARING, NEEDLE, 16X22X19 (NTN).....	3
			91071-KBB-902	BEARING, NEEDLE, 16X22X19 (NSK).....	3
		13	91078-KN5-003	BEARING, CUSHION ARM (NTN).....	2
		14	91205-KA3-711	OIL SEAL, 16.5X25X5(ARAI).....	4
			91205-KA3-712	OIL SEAL, 16.5X25X5(NOK).....	4
		15	91251-KY7-003	DUST SEAL, 16X23X3.5.....	4

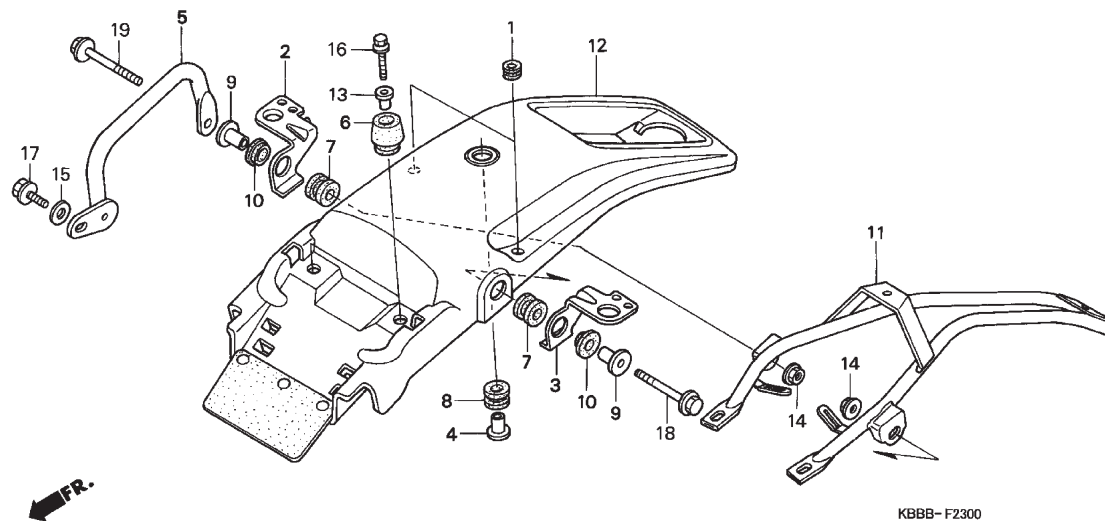
Elément d'entretien	T.D.R.	No. de réf.	N° de pièce	Description	Q'té néc. XL200	N° de série	Codigo de Area
COLLIER A DE BRAS D'AMORTESSEUR.....0.3		1	52400-KBB-980ZA	ENS. AMORTISSEUR AR.	1		
• COLLIER DE COUSSIN DE BIELLE		*	52400-KBB-981ZA	ENS. AMORTISSEUR AR. *R-134* ROUGE FIGHTING.....	1		
ENS. DE BRAS, COUSSIN.....0.4		2	52463-KY7-000	COLLIER B DE BRAS D'AMORTESSEUR.....	1		
• JEU DE TIGE, RACCORDEMENT DE COUSSIN		3	52464-KY7-000	COLLIER A DE BRAS D'AMORTESSEUR.....	2		
ENS. AMORTISSEUR AR.....0.5		4	52469-KBB-305	ENS. DE BRAS, COUSSIN.....	1		
ROULEMENT A AIGUILLES, 16X22X19.....0.6		5	52473-KY7-000	COLLIER DE COUSSIN DE BIELLE.....	1		
(AJOUTER 0.2 POUR CHAQUE.)		6	52479-KBB-305	JEU DE TILE, RACCORDEMENT DE COUSSIN.....	1		
• ROULEMENT DE BRAS D'AMORTISSEUR		7	90130-KBB-900	BOULON DE BRIDE, 10X76.....	2		
(AJOUTER 0.2 POUR CHAQUE.)		8	90150-KBB-950	BOULON HEX., 10X94.....	1		
		9	90153-KBB-900	BOULON DE BRIDE, 10X53.....	1		
		10	90157-KB7-940	BOULON DE BRIDE, 10X65.....	1		
		11	90304-GE8-003	ECROU U, 10MM.....	5		
		12	91071-KBB-901	ROULEMENT A AIGUILLES, 16X22X19 (NTN).....	3		
			91071-KBB-902	ROULEMENT A AIGUILLES, 16X22X19 (NSK).....	3		
		13	91078-KN5-003	ROULEMENT DE BRASS D'AMORTISSEUR (NTN).....	2		
		14	91205-KA3-711	JOINT D'ETANCHEITE D'HUILE, 16.5X25X5 (ARAI).....	4		
			91205-KA3-712	JOINT D'ETANCHEITE D'HUILE, 16.5X25X5 (NOK).....	4		
		15	91251-KY7-003	CACHE-POUSSIÈRE, 16X23X3.5.....	4		
Artículo de servicio	THLL	N° de ref.	No. de pieza	Descripción	Cant. Requerida XL200	No. de série	Code de Zone
COLLARIN A, BRAZO DE AMORTIGUADOR.....0.3		1	52400-KBB-980ZA	ENS. DE AMORTIGUADOR, TRAS.	1		
COLLAR, VARILLA CONEXION AMORTIGUADOR		*	52400-KBB-981ZA	ENS. DE AMORTIGUADOR, TRAS.			
JUEGO BRAZO, AMORTIGUADOR.....0.4				*R-134* ROJO FIGHTING.....	1		
• JUEGO VARILLA, CONEXION AMORTIGUADOR		2	52463-KY7-000	COLLARIN B, BRAZO DE AMORTIGUADOR.....	1		
ENS. DE AMORTIGUADOR, TRAS.....0.5		3	52464-KY7-000	COLLARIN A, BRAZO DE AMORTIGUADOR.....	2		
COJINETE DE AGUJAS, 16X22X19.....0.6		4	52469-KBB-305	JUEGO BRAZO, AMORTIGUADOR.....	1		
(AGREGUE 0.2 DE CADA.)		5	52473-KY7-000	COLLAR, VARILLA CONEXION AMORTIGUADOR.....	1		
• COJINETE, BRAZO AMORTIGUADOR		6	52479-KBB-305	JUEGO VARILLA, CONEXION AMORTIGUADOR.....	1		
(AGREGUE 0.2 DE CADA.)		7	90130-KBB-900	PERNO DE REBORDE, 10X76.....	2		
		8	90150-KBB-950	PERNO, HEX., 10X94.....	1		
		9	90153-KBB-900	PERNO DE REBORDE, 10X53.....	1		
		10	90157-KB7-940	PERNO DE REBORDE, 10X65.....	1		
		11	90304-GE8-003	ECROU, U, 10MM.....	5		
		12	91071-KBB-901	COJINETE DE AGUJAS, 16X22X19 (NTN).....	3		
			91071-KBB-902	COJINETE DE AGUJAS, 16X22X19 (NSK).....	3		
		13	91078-KN5-003	COJINETE, BRAZO AMORTIGUADOR (NTN).....	2		
		14	91205-KA3-711	SELLO DE ACEITE, 16.5X25X5 (ARAI).....	4		
			91205-KA3-712	SELLO DE ACEITE, 16.5X25X5 (NOK).....	4		
		15	91251-KY7-003	GUARDAPOLVO, 16X23X3.5.....	4		

F-23

Rear Fender

Garde Boue Arriere

Parafango Trasero



Service Item	F.R.T	Ref. N°	Part No.	Description	Qty. XL200	Serial No.	Note
GRIP, R. RR.	0.1	1	19034-MB3-000	GROMMET, RADIATOR SETTING	2
PIPE COMP., RR. FENDER SUPPORT	0.3	2	33605-KBB-900	STAY, R. RR. WINKER.....	1
FENDER COMP., RR	0.4	3	33606-KBB-900	STAY, L. RR. WINKER	1
		4	40521-437-000	COLLAR, CHAIN CASE TAIL	1
		5	50311-KBB-900ZE	GRIP, R. RR. *NH146M* ACCURATE SILVER METALLIC	1
		6	61103-KBB-900	RUBBER A, RR. FENDER MOUNTING	2
		7	80102-KB7-000	RUBBER, MOUNTING.....	2
		8	80102-KV2-900	RUBBER, MOUNTING.....	1
		9	80103-KBB-900	COLLAR, RR. WINKER SETTING	2
		10	80104-KBB-900	RUBBER, RR. WINKER MOUNTING.....	2
		11	80110-KBB-900	PIPE COMP., RR. FENDER SUPPORT	1
		*	80110-KBB-901	PIPE COMP., RR. FENDER SUPPORT	1
		12	80200-KBB-980ZA	FENDER COMP., RR. *NH-196* ROSS WHITE	1
			80200-KBB-980ZB	FENDER COMP., RR. *R-206* MACEIO RED	1
		13	83505-MN0-000	COLLAR, COVER MOUNTING	2
		14	94050-08000	NUT, FLANGE, 8MM.....	2
		15	94101-08000	WASHER, PLAIN, 8MM	1
		16	95701-06025-00	BOLT, FLANGE, 6X25	2
		17	95701-08016-00	BOLT, FLANGE, 8X16	1
		18	95701-08040-07	BOLT, FLANGE, 8X40	1
		19	95701-08045-07	BOLT, FLANGE, 8X45	1

3

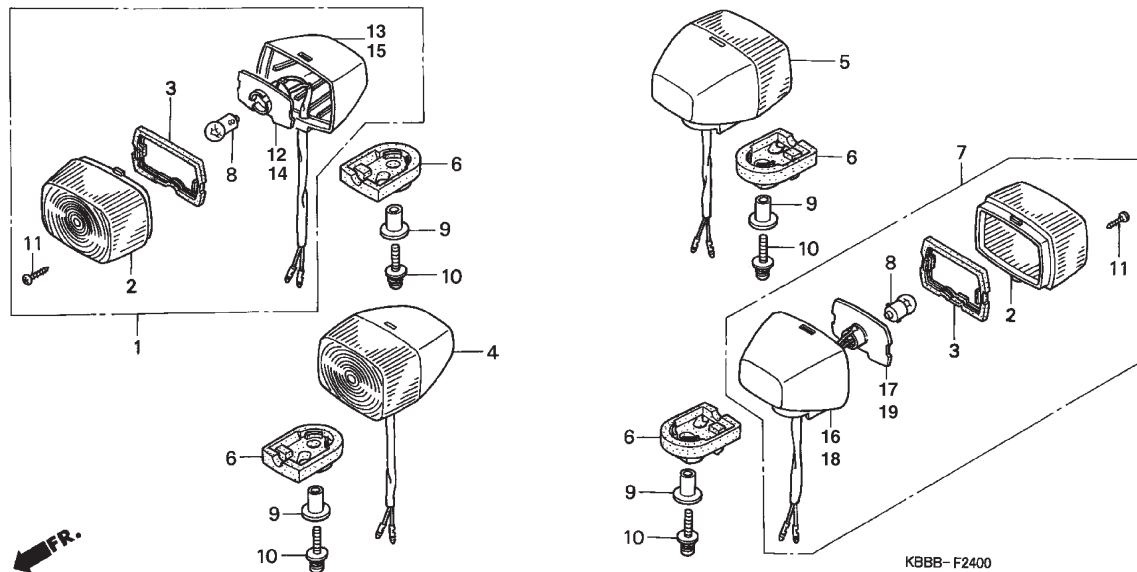
Back
Retour
Volver

Elément d'entretien	T.D.R.	No. de réf.	N° de pièce	Description	Q'té néc. XL200	N° de série	Codigo de Area
POIGNEE AR. D.....0.1		1	19034-MB3-000	ANNEAU DE FIXATION DE RADIATEUR	2
TUBULURE COMP. DE SUPPORT DE		2	33605-KBB-900	SUPPORT CLIGNOTANT AR. D.	1
GARDE-BOUE AR.....0.3		3	33606-KBB-900	SUPPORT CLIGNOTANT AR. G.	1
GARDE-BOUE COMP. AR.....0.4		4	40521-437-000	COLLIER DE QUEUE DE CARTER CHAINE.....	1
		5	50311-KBB-900ZE	POIGNEE AR. D. *NH146M* ARGENTE PRECIS METALLIQUE.....	1
		6	61103-KBB-900	CAOUTCHOUC A DE MONTAGE GARDE-BOUE AR	2
		7	80102-KB7-000	CAOUTCHOUC DE MONTAGE.....	2
		8	80102-KV2-900	CAOUTCHOUC DE MONTAGE.....	1
		9	80103-KBB-900	BAGUE, REGLAGE DE CLIGNOTANT AR.....	2
		10	80104-KBB-900	CAOUTCHOUC DE MONTAGE DE CLIGNOTANTE AR.....	2
		11	80110-KBB-900	TUBULURE COMP. DE SUPPORT DE GARDE-BOUE AR.....	1
		*	80110-KBB-901	TUBULURE COMP. DE SUPPORT DE GARDE-BOUE AR.....	1
		12	80200-KBB-980ZA	GARDE-BOUE COMP. AR. *NH-196* BLANC ROSS	1
			80200-KBB-980ZB	GARDE-BOUE COMP. AR. *R-206* ROUGE MACIS	1
		13	83505-MN0-000	COLLIER, MONTAGE DE COUVERCLE.....	2
		14	94050-08000	ECROU DE BRIDE, 8MM.....	2
		15	94101-08000	RONDELLE PLATE, 8MM.....	1
		14	95701-06025-00	BOULON DE BRIDE, 6X25.....	2
		17	95701-08016-00	BOULON DE BRIDE, 8X16.....	1
		18	95701-08040-07	BOULON DE BRIDE, 8X40.....	1
		19	95701-08045-07	BOULON DE BRIDE, 8X45.....	1
Articulo de servicio	THLL	No. de N°	No. de pieza	Descripción	No. Rdo. XL200	No. de serie	Nota
PUNO, DER. TRAS.....0.1		1	19034-MB3-000	ANILLO, FIJACION DE RADIADOR	2
TUBERIA COMP., APOYO PARAFANGO TRAS.....0.3		2	33605-KBB-900	TIRANTE, INTERMITENTE DER. TRAS.	1
COMP. DE PARAFANGO, TRAS.....0.4		3	33606-KBB-900	TIRANTE, INTERMITENTE IZO. TRAS.....	1
		4	40521-437-000	COLLARIN, COLA DE CARTER DE CADENA	1
		5	50311-KBB-900ZE	PUNO, DER. TRAS. *NH146M* PLATEADO METALICO PERFECTO	1
		6	61103-KBB-900	GOMA A, MONTURA DE PARAFANGO TRAS.	2
		7	80102-KB7-000	GOMA, MONTURA	2
		8	80102-KV2-900	GOMA, MONTURA	1
		9	80103-KBB-900	COLLAR DE AJUSTE DE DESTELLADOR TRAS.	2
		10	80104-KBB-900	GOMA DE MONTURA, LUZ INTERMITENTE TRAS.	2
		11	80110-KBB-900	TUBERIA COMP., APOYO PARAFANGO TRAS.....	1
		*	80110-KBB-901	TUBERIA COMP., APOYO PARAFANGO TRAS.....	1
		12	80200-KBB-980ZA	COMP. DE PARAFANGO, TRAS. *NH-196* BLANCO ROSS.....	1
			80200-KBB-980ZB	COMP. DE PARAFANGO, TRAS. *R-206* ROJO MACEIO....	1
		13	83505-MN0-000	COLLAR, MONTAJE TAPA	2
		14	94050-08000	TUERCA DE REBORDE, 8MM.....	2
		15	94101-08000	ARANDELA SENCILLA, 8MM.....	1
		16	95701-06025-00	PERNO DE REBORDE, 6X25.....	2
		17	95701-08016-00	PERNO DE REBORDE, 8X16.....	1
		18	95701-08040-07	PERNO DE REBORDE, 8X40.....	1
		19	95701-08045-07	PERNO DE REBORDE, 8X45.....	1



F-24

Winker Clignotant Guino



FR.

KBBB-F2400

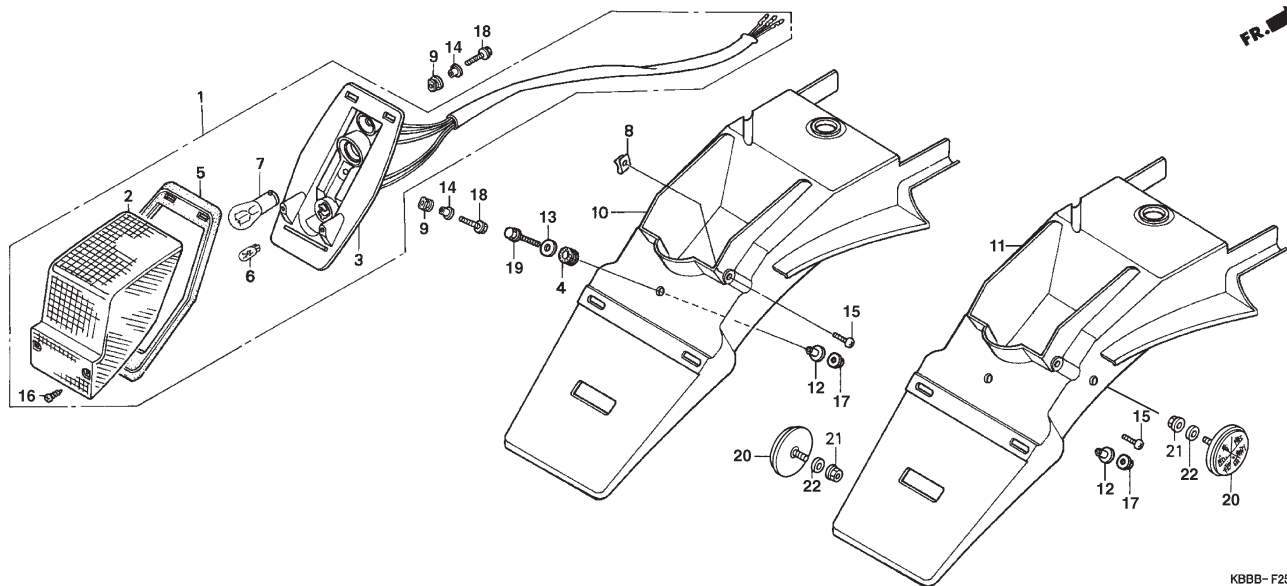
Service Item	F.R.T	Ref. N°	Part No.	Description	Qtd. XL200	Serial No.	Note
BULB, WINKER0.1 (WHEN SERVICING COMP., UNIT, F.R.T. IS 0.2)		1	33401-KBB-900	WINKER ASSY., R. FR. (12V 10W)	1
		2	33402-KBB-900	LENS, WINKER.....	4
		3	33403-KBB-900	PACKING, LENS	4
WINKER ASSY.....0.2 (ADD 0.1 FOR EACH.) (INC. RELATIVE PART)		4	33450-KBB-900	WINKER ASSY., L. FR. (12V 10W)	1
		5	33600-KBB-900	WINKER ASSY., R. RR. (12V 10W).....	1
		6	33611-KBB-900	RUBBER, WINKER	4
		7	33650-KBB-900	WINKER ASSY., L. RR. (12V 10W)	1
		8	34905-271-000	BULB, WINKER (12V 10W)	4
		9	83505-MN0-000	COLLAR, COVER MOUNTING	4
		10	93891-05025-07	SCREW-WASHER, 5X25	4
		11	93901-22380	SCREW, TAPPING, 3X12.....	4
		12	33410-KBB-900	SOCKET COMP., R. FR. WINKER	1
		13	33430-KBB-900	BASE, R. WINKER.....	1
		14	33460-KBB-900	SOCKET COMP., L. FR. WINKER.....	1
		15	33480-KBB-900	WINKER ASSY., L. FR	1
		16	33680-KBB-900	WINKER ASSY., R. FR.....	1
		17	33610-KBB-900	SOCKET COMP., R. RR	1
		18	33630-KBB-900	BASE L. WINKER	1
		19	33660-KBB-900	SOCKET COMP., L. RR	1

3

Back
Retour
Volver

Elément d'entretien	T.D.R.	No. de réf.	N° de pièce	Description	Q'té néc. XL200	N° de série	Codigo de Area
AMPOULE CLIGNOTANT0.1 (QUAND L'ENTRETIEN D'UNE UNITE COMPLETE EST REALISE, LE F.R.T. EST DE 0,2) ENS. CLIGNOTANT0.2 (AJOUTER 0.1 POUR CHAQUE.) (PIECES RELATIVES Y COMPRISES)		1	33401-KBB-900	ENS. CLIGNOTANT AV. D. (12V 10W)	1
		2	33402-KBB-900	LENTILLE DE CLIGNOTANT	4
		3	33403-KBB-900	JOINT DE LENTILLE	4
		4	33450-KBB-900	ENS. CLIGNOTANT AV. G. (12V 10W)	1
		5	33600-KBB-900	ENS. CLIGNOTANT, AR. D. (12V 10W)	1
		6	33611-KBB-900	CAOUTCHOUC DE CLIGNOTANT	4
		7	33650-KBB-900	ENS. CLIGNOTANT, AR. G. (12V 10W)	1
		8	34905-271-000	AMPOULE CLIGNOTANT (12V 10W)	4
		9	83505-MN0-000	COLLIER, MONTAGE DE COUVERCLE	4
		10	93891-05025-07	VIS A TETE A RONDELLE, 5X25	4
		11	93901-22380	VIS AUTO-TARAUDEUSE, 3X12	4
		12	33410-KBB-900	DOVILLE COMP., CLIGNOTANT AV. D	1
		13	33430-KBB-900	BASE COMP., CLIGNOTANT AV. D	1
		14	33460-KBB-900	DOVILLE COMP., CLIGNOTANT AV. G	1
		15	33480-KBB-900	BASE COMP., CLIGNOTANT AV. G	1
		16	33680-KBB-900	BASE COMP., CLIGNOTANT AV. D	1
		17	33610-KBB-900	DOVILLE COMP., AR D	1
		18	33630-KBB-900	BASE COMP., CLIGNOTANT AV D	1
		19	33660-KBB-900	DOVILLE COMP. AV. D	1
Articulo de servicio	THLL	No. de N°	No. de pieza	Descripción	No. Rdo. XL200	No. de serie	Nota
BOMBILLO, LUZ INTERMITENTE0.1 (CUANDO SE HACE EL MANTENIMIENTO DE UNA UNIDAD COMPLETA EL THLL. ES DE 0,2) ENS. DE LUZ INTERMITENTE0.2 (AGREGUE 0.1 DE CADA.) (INCLUSIVE PIEZAS RELACIONADAS)		1	33401-KBB-900	ENS. DE LUZ INTERMITENTE DER. DEL. (12V 10W)	1
		2	33402-KBB-900	LENTE, LUZ INTERMITENTE	4
		3	33403-KBB-900	EMPAQUE, LENTE	4
		4	33450-KBB-900	ENS. DE LUZ INTERMITENTE IZO. DEL. (12V 10W)	1
		5	33600-KBB-900	ENS. DE LUZ INTERMITENTE DER. TRAS. (12V 10W)	1
		6	33611-KBB-900	CAUCHO, INTERMITENTE	4
		7	33650-KBB-900	ENS. DE LUZ INTERMITENTE IZO. TRAS. (12V 10W)	1
		8	34905-271-000	BOMBILLO, LUZ INTERMITENTE (12V 10W)	4
		9	83505-MN0-000	COLLAR, MONTAJE TAPA	4
		10	93891-05025-07	TORNILLO-ARANDELA 5X25	4
		11	93901-22380	TORNILLO, ATERRAJAR, 3X12	4
		12	33410-KBB-900	COMP. CASQUILLO DELANTERO DERECHO	1
		13	33430-KBB-900	BASE LUZ INTERMITENTE DERECHA	1
		14	33460-KBB-900	COMP. CASQUILLO DELANTERO IZQUIERDO	1
		15	33480-KBB-900	LUZ INTERMITENTE DELANTERA IZQUIERDA	1
		16	33680-KBB-900	COMP. CASQUILLO DELANTERO DERECHA	1
		17	33610-KBB-900	COMP. CASQUILLO TRASERO DERECHO	1
		18	33630-KBB-900	BASE LUZ INTERMITENTE IZQUIERDA	1
		19	33660-KBB-900	COMP. CASQUILLO TRASERO IZQUIERDO	1

F-25
Taillight
Feu Arriere
Luz Trasera



Service Item	F.R.T	Ref. N°	Part No.	Description	Qtd. XL200	Serial No.	Note
BULB, TAILLIGHT	0.1	1	33701-KBB-900	TAILLIGHT UNIT (12V 21/5W)	1
BASE COMP., TAILLIGHT	0.3	2	33702-KBB-900	LENS COMP., TAILLIGHT	1
• TAILLIGHT UNIT		3	33703-KW8-900	BASE COMP., TAILLIGHT	1
		4	33712-KT1-670	RUBBER, TAILLIGHT	1
		5	33718-KBB-900	PACKING, TAILLIGHT BASE	1
		6	34351-657-921	BULB (12V/5W)(STANLEY)	1
		7	34906-447-711	BULB, TAILLIGHT (STANLEY) (12V 21/5W)	1
		8	64527-KY2-700	NUT, CLIP, 4MM	2
		*	64527-KSS-900	NUT, CLIP, 4MM	2
		9	80106-MG7-000	RUBBER, TAILLIGHT MOUNTING	2
		10	84701-KBB-900	BRACKET, NUMBER PLATE	1
		11	84701-KBB-870	BRACKET, NUMBER PLATE	1	CL
		12	90003-438-850	COLLAR C	1
		13	90438-671-000	WASHER, SPECIAL, 6MM	1
		14	90502-KB7-940	COLLAR, 19X6.2X13 .5	2
		*	90502-KGA-E00	COLLAR, 19X6.2X13 .5	2
		15	93500-04012-0G	SCREW, PAN, 4X12	2
		16	93901-34410	SCREW, TAPPING, 4X16	2
		17	94050-06000	NUT, FLANGE, 6MM	1
		18	95701-06022-00	BOLT, FLANGE, 6X22	2
		19	95701-06022-07	BOLT, FLANGE, 6X22	1
		20	33741-HB9-641	REFLEX, RR	2	CL
		21	90301-473-003	NUT U, 6MM	2	CL
		22	94103-06000	WASHER, PLAIN, 6MM	2	CL

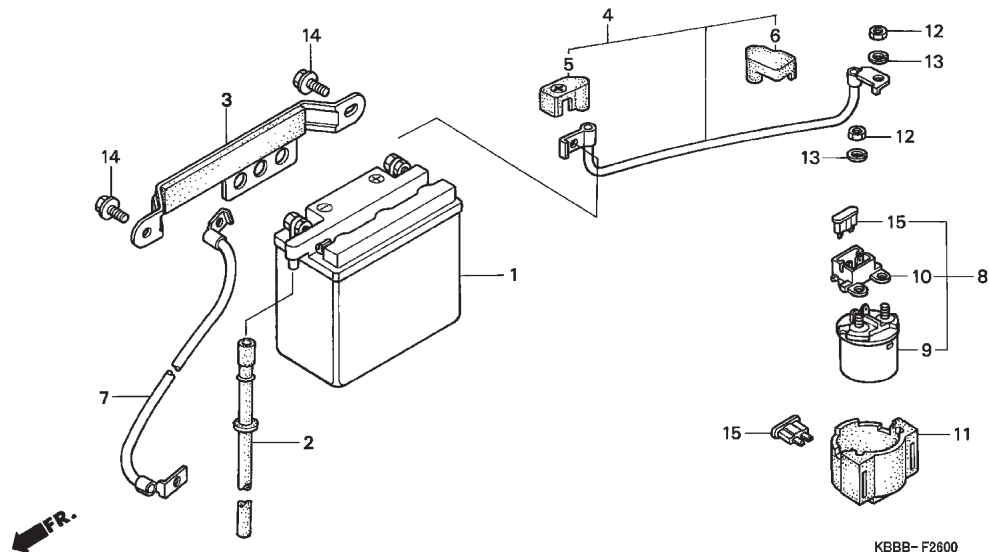
3

Back
Retour
Volver

Elément d'entretien	T.D.R.	No. de réf.	N° de pièce	Description	Q'té néc. XL200	N° de série	Codigo de Area
BOMBILLO DE FEU AR.....0.1		1	33701-KBB-900	UNITE DE FEU AR. (12V 21/5W)	1
BASE COMP. FEU AR.....0.3		2	33702-KBB-900	LENTILLE COMP. FEU AR	1
• UNITE DE FEU AR.		3	33703-KW8-900	BASE COMP. FEU AR	1
		4	33712-KT1-670	CAOUTCHOUC DE FEU AR	1
		5	33718-KBB-900	JOINT DE BASE DE FEU AR	1
		6	34351-657-921	AMPOULE (12V/5W)(STANLEY).....	1
		7	34906-447-711	BOMBILLO DE FEU AR. (STANLEY) (12V 21/5W)	1
		8	64527-KY2-700	ECROU D'ETRIER, 4MM.....	2
		*	64527-KSS-900	ECROU D'ETRIER, 4MM.....	2
		9	80106-MG7-000	CAOUTCHOUC DE MONTAGE DE FEU AR	2
		10	84701-KBB-900	SUPPORT DE PLAQUE DE NUMERO.....	1
		11	84701-KBB-870	SUPPORT DE PLAQUE DE NUMERO.....	1	CL
		12	90003-438-850	COLLIER C	1
		13	90438-671-000	RONDELLE SPECIALE, 6MM	1
		14	90502-KB7-940	COLLIER, 19X6.2X13.5	2
		*	90502-KGA-E00	COLLIER, 19X6.2X13.5	2
		15	93500-04012-0G	VIS A TETE CYLINDRIQUE, 4X12	2
		16	93901-34410	VIS AUTO-TARAUEUSE, 4X16.....	2
		17	94050-06000	ECROU DE BRIDE, 6MM.....	1
		18	95701-06022-00	BOULON DE BRIDE, 6X22.....	2
		19	95701-06022-07	BOULON DE BRIDE, 6X22.....	1
		20	33741-HB9-641	REFLEX, RR.....	2	CL
		21	90301-473-003	NUT U, 6MM.....	2	CL
		22	94103-06000	WASHER, PLAIN, 6MM	2	CL
Artículo de servicio	THLL	N° de ref.	No. de pieza	Descripción	Cant. Requerida XL200	No. de série	Code de Zone
BOMBILLO, LUZ TRAS.....0.1		1	33701-KBB-900	UNIDAD DE LUZ TRAS. (12V 21/5W).....	1
UNIDAD DE LUZ TRAS.....0.3		2	33702-KBB-900	COMP. DE LENTE, LUZ TRAS.	1
• COMP. DE BASE, LUZ TRAS		3	33703-KW8-900	COMP. DE BASE, LUZ TRAS.	1
		4	33712-KT1-670	GOMA, LUZ TRAS.	1
		5	33718-KBB-900	EMPAQUE, BASE DE LUZ TRAS.	1
		6	34351-657-921	BOMBILLO (12V/5W)(STANLEY)	1
		7	34906-447-711	BOMBILLO, LUZ TRAS. (STANLEY) (12V 21/5W)	1
		8	64527-KY2-700	TUERCA, GRAPA, 4MM.....	2
		*	64527-KSS-900	TUERCA, GRAPA, 4MM.....	2
		9	80106-MG7-000	GOMA, MONTURA DE LUZ TRAS.	2
		10	84701-KBB-900	SOPORTE, PLACA DE NUMEROS.....	1
		11	84701-KBB-870	SOPORTE, PLACA DE NUMEROS.....	1	CL
		12	90003-438-850	COLLAR C	1
		13	90438-671-000	ARANDELA ESPECIAL, 6MM	1
		14	90502-KB7-940	COLLARIN, 19X6.2X13.5.....	2
		*	90502-KGA-E00	COLLARIN, 19X6.2X13.5.....	2
		15	93500-04012-0G	TORNILLO ALOMADO, 4X12	2
		16	93901-34410	TORNILLO, ATERRAJAR, 4X16	2
		17	94050-06000	TUERCA DE REBORDE, 6MM.....	1
		18	95701-06022-00	PERNO DE REBORDE, 6X22	2
		19	95701-06022-07	PERNO DE REBORDE, 6X22	1
		20	33741-HB9-641	REFLEX, RR.....	2	CL
		21	90301-473-003	NUT U, 6MM.....	2	CL
		22	94103-06000	WASHER, PLAIN, 6MM	2	CL

F-26

Battery
Batterie
Bateria



Service Item	F.R.T	Ref. N°	Part No.	Description	Qty. XL200	Serial No.	Note
BATTERY	0.2	1	31500-KW1-902	BATTERY (YB7B-B YUASA)	1
• CABLE, BATTERY EARTH		*	3150A-KW1-305	BATTERY (YB7B-B YUASA)	1
SWITCH ASSY., STARTER MAGNETIC	0.3	2	31502-KW8-900	TUBE, BATTERY BREATHER	1
		3	31510-KW8-900	BAND, BATTERY	1
		4	32401-KW8-900	CABLE, BATTERY RELAY	1
		5	32412-KW1-900	COVER, BATTERY TERMINAL	1
		6	32416-MF5-000	COVER B, MAGNETIC SWITCH	1
		7	32601-KBB-900	CABLE, BATTERY EARTH	1
		8	35850-KBB-900	SWITCH ASSY., STARTER MAGNETIC	1
		9	35851-KBB-900	SWITCH COMP., STARTER MAGNETIC	1
		10	35855-MG7-751	HOLDER ASSY., FUSE	1
		11	35856-MF5-751	RUBBER, SHOCK	1
		12	94002-06000-0S	NUT, HEX., 6MM	2
		13	94111-06000	WASHER, SPRING, 6MM	2
		14	95701-06010-07	BOLT, FLANGE, 6X10	2
		15	98200-31500	FUSE, BLADE (15A)	2

3

←
Back
Retour
Volver

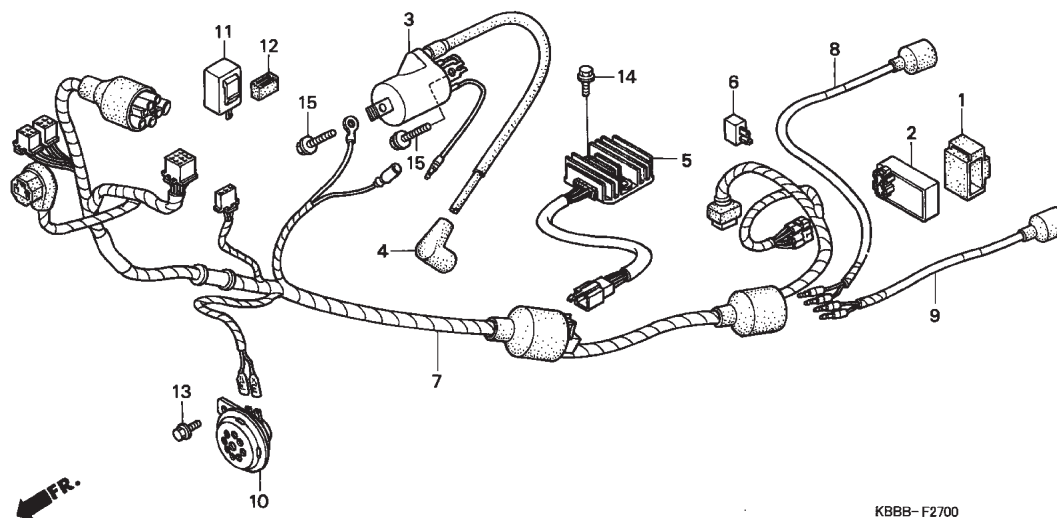
Elément d'entretien	T.D.R.	No. de réf.	N° de pièce	Description	Q'té néc. XL200	N° de série	Codigo de Area
BATTERIE	0.2	1	31500-KW1-902	BATTERIE (YB7B-B YUASA)	1
• CABLE-MASSE DE BATTERIE		*	3150A-KW1-305	BATTERIE (YB7B-B YUASA)	1
ENS. INTERRUPTEUR MAGNETIQUE		2	31502-KW8-900	TUYAU DE RESPIRATION DE BATTERIE	1
DEMARREUR	0.3	3	31510-KW8-900	BANDE D'ATTACHE BATTERIE	1
		4	32401-KW8-900	CABLE DE RELAIS DE BATTERIE	1
		5	32412-KW1-900	PROTECTION COSSE BATTERIE	1
		6	32416-MF5-000	COUVERCLE B D'INTERRUPTEUR MAGNETIQUE	1
		7	32601-KBB-900	CABLE-MASSE DE BATTERIE	1
		8	35850-KBB-900	ENS. INTERRUPTEUR MAGNETIQUE DEMARREUR.....	1
		9	35851-KBB-900	INTERRUPTEUR COMP. MAGNETIQUE DE DEMARREUR...	1
		10	35855-MG7-751	ENS. PORTE FUSIBLE.....	1
		11	35856-MF5-751	CAOUTCHOUC DE CHOC.....	1
		12	94002-06000-0S	ECROU HEX., 6MM	2
		13	94111-06000	RONDELLE ELASTIQUE, 6MM	2
		14	95701-06010-07	BOULON DE BRIDE, 6X10	2
		15	98200-31500	FUSIBLE DE LAME (15A)	2
Articulo de servicio	THLL	No. de N°	No. de pieza	Descripción	No. Rdo. XL200	No. de serie	Nota
BATERIA.....	0.2	1	31500-KW1-902	BATERIA (YB7B-B YUASA).....	1
• CABLE DE TIERRA, BATERIA		*	3150A-KW1-305	BATERIA (YB7B-B YUASA).....	1
ENS. DE INTERRUPTOR, MAGNETICO DE		2	31502-KW8-900	TUBO, RESPIRADERO DE BATERIA	1
ARRANQUE	0.3	3	31510-KW8-900	BANDA, BATERIA	1
		4	32401-KW8-900	CABLE, RELE DE BATERIA.....	1
		5	32412-KW1-900	CUBIERTA, TERMINAL DE BATERIA.....	1
		6	32416-MF5-000	CUBIERTA B, INTERRUPTOR MAGNETICO	1
		7	32601-KBB-900	CABLE DE TIERRA, BATERIA	1
		8	35850-KBB-900	ENS. DE INTERRUPTOR, MAGNETICO DE ARRANQUE	1
		9	35851-KBB-900	COMP. DE INTERRUPTOR MAGNETICO DE ARRANQUE	1
		10	35855-MG7-751	ENS. DE PORTA-FUSIBLES	1
		11	35856-MF5-751	GOMA, CHOQUE	1
		12	94002-06000-0S	TUERCA, HEX., 6MM	2
		13	94111-06000	ARANDELA DE RESORTE, 6MM.....	2
		14	95701-06010-07	PERNO DE REBORDE, 6X10	2
		15	98200-31500	FUSIBLE, HOJA (15A)	2

F-27

Wire Harness

Faisceau des Fils

Conjunto de Alambres



3



Back
Retour
Volver

Service Item	F.R.T	Ref. N°	Part No.	Description	Qty. XL200	Serial No.	Note
HORN COMP	0.1	1	30401-KY7-000	CUSHION, C.D.I. UNIT	1
RELAY, WINKER.....	0.2	*	30401-KY7-900	CUSHION, C.D.I. UNIT	1
RECTIFIER ASSY., SILICON	0.3	2	30410-KBB-901	C.D.I. UNIT (SHINDGEN)	1
COIL, IGNITION	0.4	3	30500-KFC-901	COIL, IGNITION	1
C.D.I. UNIT.....	0.5	4	30700-152-153	CAP ASSY., NOISE SUPPRESSOR (NICHIRIN)	1
• RECTIFIER ASSY., REGULATE		5	31600-KBB-901	RECTIFIER ASSY., REGULATE	1
HARNESS, WIRE	1.2	6	31700-124-008	RECTIFIER ASSY., SILICON (SHINDGEN)	1
		*	31700-124-003	RECTIFIER ASSY., SILICON (SHINDGEN)	1
		7	32100-KBB-900	HARNESS, WIRE	1
		*	32100-KBB-890	HARNESS, WIRE	1
		8	33620-KBB-900	SUB CORD, R. WINKER	1
		9	33670-KBB-900	SUB CORD, L. WINKER	1
		10	38110-KB7-840	HORN COMP	1
		*	38110-KBB-890	HORN COMP	1
		11	38301-KFC-790	RELAY, WINKER	1
		12	38306-KK4-000	SUSPENSION, WINKER RELAY (MITSUBA)	1
		13	95701-06010-07	BOLT, FLANGE, 6X10	1
		14	95701-06012-00	BOLT, FLANGE, 6X12	1
		15	96001-06020-00	BOLT, FLANGE, 6X20	2

Elément d'entretien	T.D.R.	No. de réf.	N° de pièce	Description	Q'té néc. XL200	N° de série	Codigo de Area
AVERTISSEUR SONORE COMP.....0.1		1	30401-KY7-000	COUSSIN D'UNITE DE C.D.I.....	1		
RELAIS DE CLIGNOTANT.....0.2		*	30401-KY7-900	COUSSIN D'UNITE DE C.D.I.....	1		
ENS. RECTIFICATEUR DE SILICIUM.....0.3		2	30410-KBB-901	UNITE DE C.D.I. (SHINDENGEN).....	1		
BOBINE D'ALLUMAGE.....0.4		3	30500-KFC-901	BOBINE D'ALLUMAGE.....	1		
UNITE DE C.D.I.....0.5		4	30700-152-153	ENS. CHAPEAU D'ANTI-PARASITE (NICHIRIN).....	1		
• ENS. RECTIFICATEUR-REGULATEUR		5	31600-KBB-901	ENS. RECTIFICATEUR-REGULATEUR.....	1		
FAISCEAU ELECTRIQUE.....1.2		6	31700-124-008	ENS. RECTIFICATEUR DE SILICIUM (SHINDENGEN).....	1		
		*	31700-124-003	ENS. RECTIFICATEUR DE SILICIUM (SHINDENGEN).....	1		
		7	32100-KBB-900	FAISCEAU ELECTRIQUE.....	1		
		*	32100-KBB-890	FAISCEAU ELECTRIQUE.....	1		
		8	33620-KBB-900	FIL AUXILIAIRE DE CLIGNOTANT D.....			
		9	33670-KBB-900	FIL AUXILIAIRE DE CLIGNOTANT G.....	1		
		10	38110-KB7-840	AVERTISSEUR SONORE COMP.....	1		
		*	38110-KBB-890	AVERTISSEUR SONORE COMP.....	1		
		11	38301-KFC-790	RELAIS DE CLIGNOTANT.....	1		
		12	38306-KK4-000	CAOUTCHOUC D'AMORTISSEUR DE CLIGNOTANTE (MITSUBA).....	1		
		13	95701-06010-07	BOULON DE BRIDE, 6X10.....	1		
		14	95701-06012-00	BOULON DE BRIDE, 6X12.....	1		
		15	96001-06020-00	BOULON DE BRIDE, 6X20.....	2		

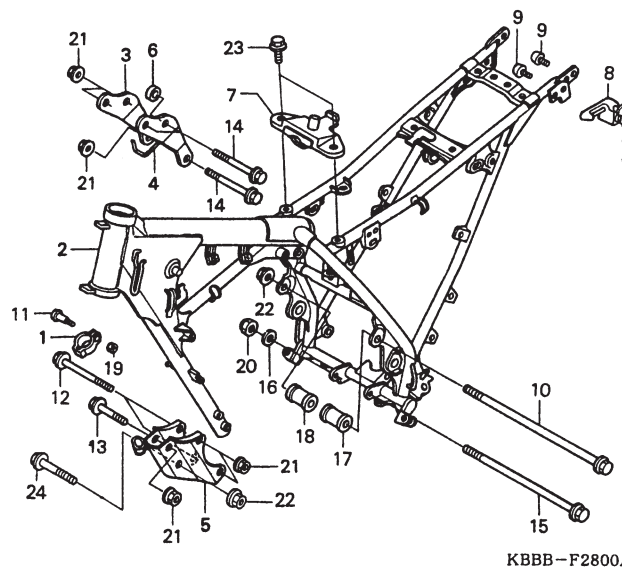
Artículo de servicio	THLL	N° de ref.	No. de pieza	Descripción	Cant. Requerida XL200	No. de série	Code de Zone
COMP. DE BOCINA.....0.1		1	30401-KY7-000	COJIN, UNIDAD DE C.D.I.....	1		
RELE, LUZ INTERMITENTE.....0.2		*	30401-KY7-900	COJIN, UNIDAD DE C.D.I.....	1		
ENS. DE RECTIFICADOR SILICON.....0.3		2	30410-KBB-901	UNIDAD DE C.D.I. (SHINDENGEN).....	1		
BOBINA, ENCENDIDO.....0.4		3	30500-KFC-901	BOBINA, ENCENDIDO.....	1		
UNIDAD DE C.D.I.....0.5		4	30700-152-153	ENS. DE TAPA, SUPRESOR DE RUIDO (NICHIRIN).....	1		
• ENS. DE RECTIFICADOR, REGULADOR		5	31600-KBB-901	ENS. DE RECTIFICADOR, REGULADOR.....	1		
EQUIPO DE ALAMBRE.....1.2		6	31700-124-008	ENS. DE RECTIFICADOR SILICON (SHINDENGEN).....	1		
		*	31700-124-003	ENS. DE RECTIFICADOR SILICON (SHINDENGEN).....	1		
		7	32100-KBB-900	EQUIPO DE ALAMBRE.....	1		
		*	32100-KBB-890	EQUIPO DE ALAMBRE.....	1		
		8	33620-KBB-900	SUB-CUERDA, LUZ INTERMITENTE DER.....	1		
		9	33670-KBB-900	SUB-CUERDA, LUZ INTERMITENTE IZQ.....	1		
		10	38110-KB7-840	COMP. DE BOCINA.....	1		
		*	38110-KBB-890	COMP. DE BOCINA.....	1		
		11	38301-KFC-790	RELE, LUZ INTERMITENTE.....	1		
		12	38306-KK4-000	SUSPENSION, RELE DE INTERMITENTE (MITSUBA).....	1		
		13	95701-06010-07	PERNO DE REBORDE, 6X10.....	1		
		14	95701-06012-00	PERNO DE REBORDE, 6X12.....	1		
		15	96001-06020-00	PERNO DE REBORDE, 6X20.....	2		

F-28

Frame Body

Carrosserie de Chassis

Cuerpo de Bastidor



3



Back
Retour
Volver

Service Item	F.R.T	Ref. N°	Part No.	Description	Qty. XL200	Serial No.	Note
HOLDER ASSY., HELMET	0.3	1	22878-KW8-900	CLAMPER, CLUTCH CABLE	1
BODY COMP., FRAME.....	*4.9	2	50100-KBB-980ZA	BODY COMP., FRAME *NH146M* ACCURATE SILVER METALLIC	1
		3	50201-KBB-900	PLATE, R. UPPER ENGINE HANGER.....	1
		4	50202-KBB-900	PLATE, L. UPPER ENGINE HANGER	1
		5	50203-KBB-900ZF	PLATE, FR. ENGINE HANGER *NH146M* ACCURATE SILVER METALLIC	1
		6	50204-KBB-900	SPACER, ENGINE RANGER.....	1
		7	50205-KBB-900ZK	STAY, RR. TANK *NH146M* ACCURATE SILVER METALLIC.....	1
		8	50710-371-007	HOLDER ASSY., HELMET	1
		9	90107-KW8-900	SCREW, HELMET HOLDER SETTING (6X10)	2
		10	90109-KW8-900	BOLT, HEX., 10X215	1
		11	90113-GE8-000	SCREW, HANDLE LEVER PIVOT	1
		12	90145-GC4-730	BOLT, FLANGE, 8X85	2
		13	90154-MA0-000	BOLT, FLANGE, 8X60	1
		14	90156-MA0-770	BOLT, FLANGE, 8X65	3
		15	90181-KE7-000	BOLT, FLANGE, 10X113	1
		16	90441-MT3-000	WASHER, 10MM	1
		17	90742-KW8-900	COLLAR, L. ENGINE DISTANCE.....	1
		18	90743-KW8-900	COLLAR, R. ENGINE DISTANCE.....	1

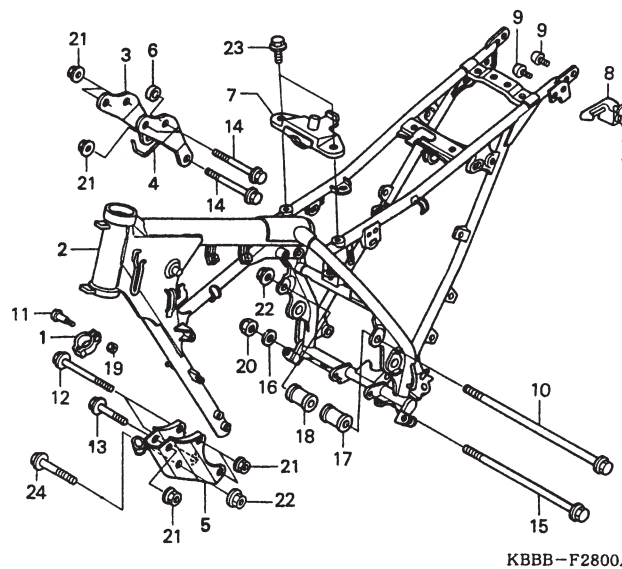
Elément d'entretien	T.D.R.	No. de réf.	N° de pièce	Description	Q'té néc. XL200	N° de série	Codigo de Area
ENS. PORTE-CASQUE.....0.3		1	22878-KW8-900	COLLIER DE CABLE D'EMBRAYAGE.....	1		
CORPS COMP. CADRE.....*4.9		2	50100-KBB-980ZA	CORPS COMP. CADRE *NH146M* ARGENTE PRECIS METALLIQUE.....	1		
		3	50201-KBB-900	PLAQUE DE SUSPENSION MOTEUR SUPERIEURE.....	1		
		4	50202-KBB-900	PLAQUE DE SUSPENSION MOTEUR SUPERIEURE G.....	1		
		5	50203-KBB-900ZF	PLAQUE DE SUSPENSION MOTEUR AV *NH146M* ARGENTE PRECIS METALLIQUE.....	1		
		6	50204-KBB-900	ENTRETOISE, SUSPENSION MOTEUR.....	1		
		7	50205-KBB-900ZK	APPUI DE RESERVOIR AR. *NH146M* ARGENTE PRECIS METALLIQUE.....	1		
		8	50710-371-007	ENS. PORTE-CASQUE.....	1		
		9	90107-KW8-900	VIS, MONTAGE PORTE-CASQUE (6X10).....	2		
		10	90109-KW8-900	BOULON HEX., 10X215.....	i		
		11	90113-GE8-000	VIS DE PIVOT DE LEVIER DE GUIDON.....	1		
		12	90145-GC4-730	BOULON DE BRIDE, 8X85.....	2		
		13	90154-MA0-000	BOULON DE BRIDE, 8X60.....	1		
		14	90156-MA0-770	BOULON DE BRIDE, 8X65.....	3		
		15	90181-KE7-000	BOULON DE BRIDE, 10X113.....	1		
		16	90441-MT3-000	RONDELLE, 10MM.....	1		
		17	90742-KW8-900	COLLIER D'ECARTEMENT DE MOTEUR G.....	1		
		18	90743-KW8-900	COLLIER D'ECARTEMENT DE MOTEUR D.....	1		
Artículo de servicio	THLL	N° de ref.	No. de pieza	Descripción	Cant. Requerida XL200	No. de série	Code de Zone
ENS. DE PORTA-CASCO.....0.3		1	22878-KW8-900	ABRAZADERA, CABLE DE EMBRAGUE.....	1		
COMP. DE CUERPO, BASTIDOR.....*4.9		2	50100-KBB-980ZA	COMP. DE CUERPO, BASTIDOR *NH146M* PLATEADO METALICO PERFECTO.....	1		
		3	50201-KBB-900	PLACA, SUSPENSION DE MOTOR SUPERIOR DER.....	1		
		4	50202-KBB-900	PLACA, SOPORTE MOTOR SUPERIOR IZO.....	1		
		5	50203-KBB-900ZF	PLACA, SUSPENSION DE MOTOR DEL. *NH146M* PLATEADO METALICO PERFECTO.....	1		
		6	50204-KBB-900	ESPACIADOR DE SUSPENSOR DE MOTOR.....	1		
		7	50205-KBB-900ZK	APOYO DE TANQUE TRAS. *NH146M* PLATEADO METALICO PERFECTO.....	1		
		8	50710-371-007	ENS. DE PORTA-CASCO.....	1		
		9	90107-KW8-900	TORNILLO DE AJUSTE DE PORTACASCO (6X10).....	2		
		10	90109-KW8-900	PERNO, HEX., 10X215.....	1		
		11	90113-GE8-000	TORNILLO, PIVOTE DE PALANCA DE MANUBRIO.....	1		
		12	90145-GC4-730	PERNO DE REBORDE, 8X85.....	2		
		13	90154-MA0-000	PERNO DE REBORDE, 8X60.....	1		
		14	90156-MA0-770	PERNO DE REBORDE, 8X65.....	3		
		15	90181-KE7-000	PERNO DE REBORDE, 10X113.....	1		
		16	90441-MT3-000	ARANDELA, 10MM.....	1		
		17	90742-KW8-900	COLLARIN, DISTANCIA DE MOTOR IZO.....	1		
		18	90743-KW8-900	COLLARIN, DISTANCIA DE MOTOR DER.....	1		

F-28

Frame Body

Carrosserie de Chassis

Cuerpo de Bastidor



Service Item	F.R.T	Ref. N°	Part No.	Description	Qty. XL200	Serial No.	Note
		19	94001-05000-0S	NUT, HEX, 5MM.....	1
		20	94030-10200	NUT, HEX., 10MM.....	1
		21	94050-08000	NUT, FLANGE, 8MM.....	6
		22	94050-10000	NUT, FLANGE, 10MM.....	2
		23	95701-08014-00	BOLT, FLANGE, 8X14 .	2
		24	90157-KB7-940	BOLT, FLANGE, 10X65	1

3



Back
Retour
Volver

Elément d'entretien	T.D.R.	No. de réf.	N° de pièce	Description	Q'té néc. XL200	N° de série	Codigo de Area
		19	94001-05000-0S	ECROU HEX., 5MM	1
		20	94030-10200	ECROU HEX., 10MM	1
		21	94050-08000	ECROU DE BRIDE, 8MM	6
		22	94050-10000	ECROU DE BRIDE, 10MM	2
		23	95701-08014-00	BOULON DE BRIDE, 8X14	2
		24	90157-KB7-940	BOULON, 10X65	1
Artículo de servicio	THLL	N° de ref.	No. de pieza	Descripción	Cant. Requerida XL200	No. de série	Code de Zone
		19	94001-05000-0S	TUERCA, HEX., 5MM	1
		20	94030-10200	TUERCA, HEX., 10MM	1
		21	94050-08000	TUERCA DE REBORDE, 8MM	6
		22	94050-10000	TUERCA DE REBORDE, 10MM	2
		23	95701-08014-00	PERNO DE REBORDE, 8X14	2
		24	90157-KB7-940	PERNO, 10X65	1

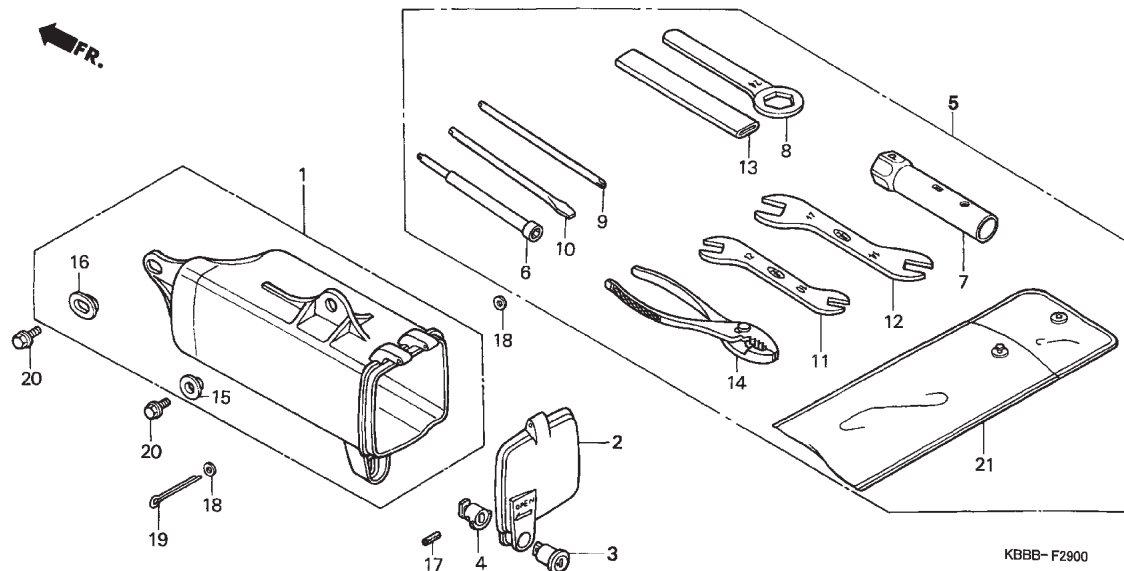
3



Back
Retour
Volver

F-29

Tools
Outils
Herramientas



Service Item	F.R.T	Ref. N°	Part No.	Description	Qty. XL200	Serial No.	Note
		1	83501-KB7-000	BOX, TOOL.....	1
		2	83504-KB7-000	CAP, TOOL BOX.....	1
		3	83507-422-000	BODY, KEY.....	1
		4	83508-MR4-900	STOPPER, KEY BODY.....	1
		5	89010-KBB-900	TOOL SET.....	1
		6	89211-MJ0-950	WRENCH, BOX (8MM).....	1
		7	89217-KW8-910	WRENCH, BOX (P18).....	1
		8	89218-KB7-900	WRENCH, EYE, 24MM.....	1
		9	89222-443-900	DRIVER PLUS SCREW 1.....	1
		10	89224-443-900	DRIVER MINUS SCREW 3.....	1
		11	89225-KW8-900	SPANNER, 10X12.....	1
		12	89226-KW8-901	SPANNER, 14X17.....	1
		*	89226-KW8-900	SPANNER, 14X17.....	1
		13	89228-443-900	HANDLE, EYE WRENCH, 120MM.....	1
		14	89302-MJ0-940	PLIERS, 135.....	1
		*	89302-MJ0-950	PLIERS, 135.....	1
		15	90512-300-000	WASHER, 6X20.....	1
		16	90513-323-000	WASHER, 6X9.....	1
		17	91501-MR4-900	PIN, SPRING, 2X14.....	1
		18	94101-03000	WASHER, PLAIN, 3MM.....	2
		19	94201-30450	PIN, SPLIT, 3.0X45.....	1
		20	95701-06012-00	BOLT, FLANGE, 6X12.....	2
		21	99008-01600	BAG, TOOL, 160MM.....	1

3

Back
Retour
Volver

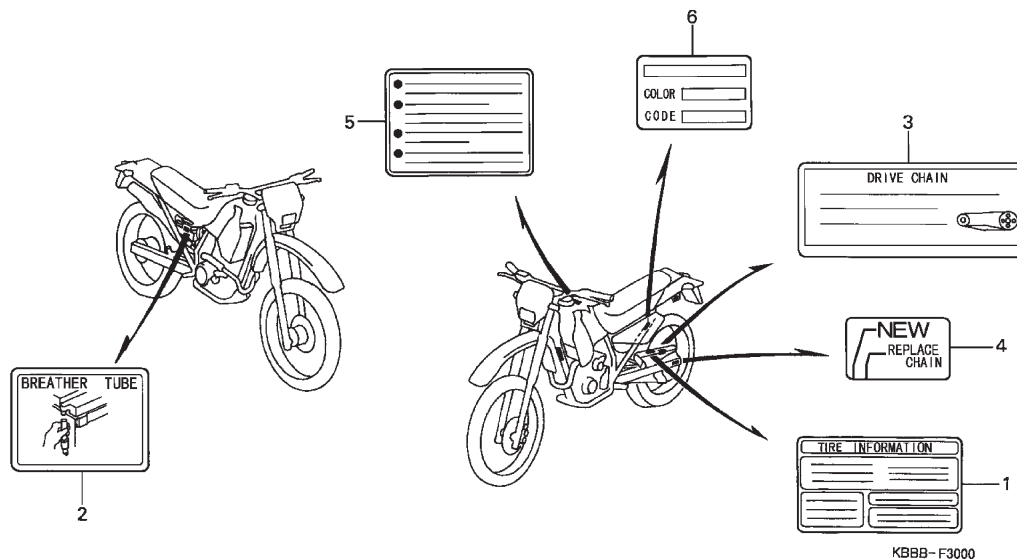
Elément d'entretien	T.D.R.	No. de réf.	N° de pièce	Description	Q'té néc. XL200	N° de série	Codigo de Area
		1	83501-KB7-000	BOITIER D'OUTILS.....	1		
		2	83504-KB7-000	CHAPEAU DE BOITIER D'OUTILS.....	1		
		3	83507-422-000	CORPS DE CLEF.....	1		
		4	83508-MR4-900	BUTEE DE CORPS DE CLEF.....	1		
		5	89010-KBB-900	JEU D'OUTILS.....	1		
		6	89211-MJ0-950	CLE A DOUILLE (8MM).....	1		
		7	89217-KW8-910	CLE A DOUILLE (P18).....	1		
		8	89218-KB7-900	CLE A OEIL, 24MM.....	1		
		9	89222-443-900	TOURNEVIS DE 1 (+).....	1		
		10	89224-443-900	TOURNEVIS DE 3 (-).....	1		
		11	89225-KW8-900	CLE, 10X12.....	1		
		12	89226-KW8-901	CLE, 14X17.....	1		
		*	89226-KW8-900	CLE, 14X17.....	1		
		13	89228-443-900	POIGNEE DE CLE A OEIL, 120MM.....	1		
		14	89302-MJ0-940	PINCES, 135.....	1		
		*	89302-MJ0-950	PINCES, 135.....	1		
		15	90512-300-000	RONDELLE, 6X20.....	1		
		16	90513-323-000	RONDELLE, 6X9.....	1		
		17	91501-MR4-900	GOUPILLE DE RESSORT, 2X14.....	1		
		18	94101-03000	RONDELLE PLATE, 3MM.....	2		
		19	94201-30450	GOUPILLE FENDUE, 3,0X45.....	1		
		20	95701-06012-00	BOULON DE BRIDE, 6X12.....	2		
		21	99008-01600	SAC D'OUTILS, 160MM.....	1		
Artículo de servicio	THLL	N° de ref.	No. de pieza	Descripción	Cant. Requerida XL200	No. de série	Code de Zone
		1	83501-KB7-000	CAJA, HERRAMIENTAS.....	1		
		2	83504-KB7-000	TAPA, CAJA DE HERRAMIENTAS.....	1		
		3	83507-422-000	CUERPO, LLAVE.....	1		
		4	83508-MR4-900	TAQUE, CUERPO DE LLAVE.....	1		
		5	89010-KBB-900	JUEGO DE HERRAMIENTAS.....	1		
		6	89211-MJ0-950	LLAVE DE CUBO (8MM).....	1		
		7	89217-KW8-910	LLAVE DE CUBO (P18).....	1		
		8	89218-KB7-900	LLAVE DE OJALES, 24MM.....	1		
		9	89222-443-900	ATORNILLADOR 1 (+).....	1		
		10	89224-443-900	ATORNILLADOR 3 (-).....	1		
		11	89225-KW8-900	LLAVE, 10X12.....	1		
		12	89226-KW8-901	LLAVE, 14X17.....	1		
		*	89226-KW8-900	LLAVE, 14X17.....	1		
		13	89228-443-900	MANGO, LLAVE DE OJALES 120MM.....	1		
		14	89302-MJ0-940	ALICATES, 135.....	1		
		*	89302-MJ0-950	ALICATES, 135.....	1		
		15	90512-300-000	ARANDELA, 6X20.....	1		
		16	90513-323-000	ARANDELA, 6X9.....	1		
		17	91501-MR4-900	ESPIGA, RESORTE, 2X14.....	1		
		18	94101-03000	ARANDELA SENCILLA, 3MM.....	2		
		19	94201-30450	PASADOR DE ALETAS, 3,0X45.....	1		
		20	95701-06012-00	PERNO DE REBORDE, 6X12.....	2		
		21	99008-01600	SACO, HERRAMIENTAS, 160MM.....	1		

3


 Back
 Retour
 Volver

F-30

Caution Label Etiquette de Precautions Etiqueta de Precaucion



KBBB-F3000

Service Item	F.R.T	Ref. N°	Part No.	Description	Qty. XL200	Serial No.	Note
		1	87505-KBB-980	LABEL, TIRE	1
		2	87506-KFC-920	LABEL, BATTERY	1
		3	87507-KFC-920	LABEL, DRIVE CHAIN	1
		4	87508-MC8-670	LABEL, CHAIN ADJUSTER	1
		5	87560-MZ0-610	LABEL, DRIVE C (ENGLISHI/FRENCH/GERMANY).....	1
		*	87560-MZ0-611	LABEL, DRIVE C (ENGLISHI/FRENCH/GERMANY).....	1
		6	87565-KBB-980ZA	LABEL, COLOR *TYPE 1* (NH196)	1
			87565-KBB-980ZB	LABEL, COLOR *TYPE 2* (R206)	1

3

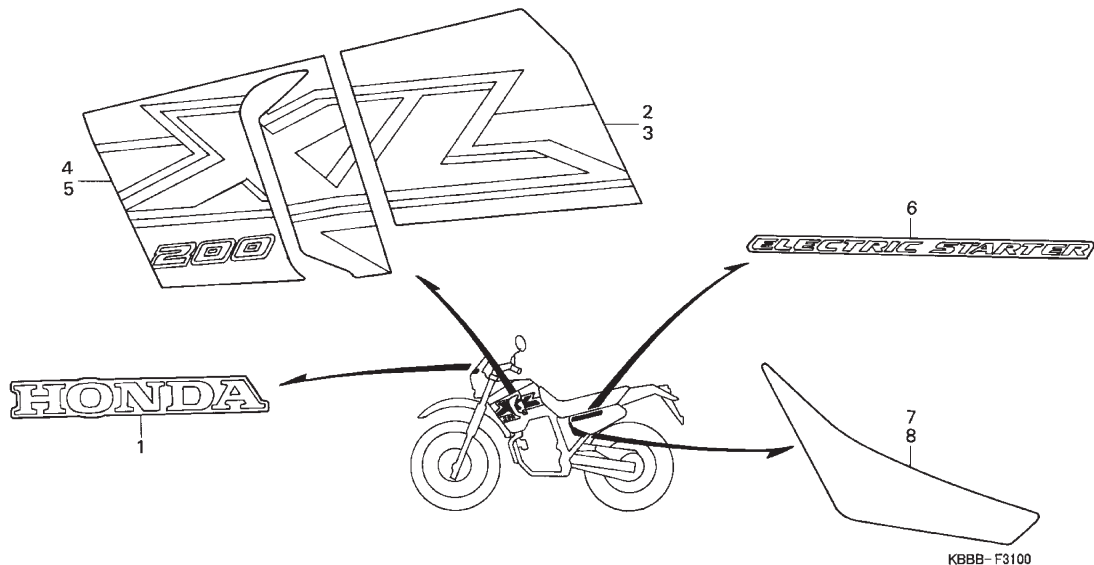
Back
Retour
Volver

Elément d'entretien	T.D.R.	No. de réf.	N° de pièce	Description	Q'té néc. XL200	N° de série	Codigo de Area
		1	87505-KBB-980	ETIQUETTE DE PNEU	1
		2	87506-KFC-920	ETIQUETTE DE BATTERIE	1
		3	87507-KFC-920	ETIQUETTE, CHAINE D'ENTRAINEMENT	1
		4	87508-MC8-670	ETIQUETTE DE REGLAGE DE CHAINE	1
		5	87560-MZO-610	ETIQUETTE DE CONDUITE (ANGLAIS/FRANCAIS/ALLEMAND)	1
		*	87560-MZO-611	ETIQUETTE DE CONDUITE (ANGLAIS/FRANCAIS/ALLEMAND)	1
		6	87565-KBB-980ZA	ETIQUETTE DE COULEUR *TYPE1* (NH196)	1
			87565-KBB-980ZB	ETIQUETTE DE COULEUR *TYPE2* (R206)	1
Artículo de servicio	THLL	N° de ref.	No. de pieza	Descripción	Cant. Requerida XL200	No. de série	Code de Zone
		1	87505-KBB-980	ETIQUETA DE NEUMATICO	1
		2	87506-KFC-920	ETIQUETA, BATERIA.....	1
		3	87507-KFC-920	ETIQUETA, CADENA DE IMPULSION	1
		4	87508-MC8-670	ETIQUETA, AJUSTADOR DE CADENA.....	1
		5	87560-MZO-610	ETIQUETA, TRANSMISION (INGLES/FRANCES/ALEMAN) ...	1
		*	87560-MZO-611	ETIQUETA, TRANSMISION (INGLES/FRANCES/ALEMAN) ...	1
		6	87565-KBB-980ZA	ETIQUETA, COLOR (NH196) *TIPO 1*	1
			87565-KBB-980ZB	ETIQUETA, COLOR (R206) *TIPO 2*	1



F-31

Mark
 Marque
 Marca



Service Item	F.R.T	Ref. N°	Part No.	Description	Qty. XL200	Serial No.	Note
		1	87122-KBB-980ZA	MARK, FR. VISOR *TYPE 1*	1
		2	87123-KBB-980ZA	MARK, R. FUEL TANK *TYPE 1*	1
			87123-KBB-980ZB	MARK, R. FUEL TANK *TYPE 2*	1
		3	87124-KBB-980ZA	MARK, L. FUEL TANK *TYPE 1*	1
			87124-KBB-980ZB	MARK, L. FUEL TANK *TYPE 2*	1
		4	87126-KBB-980ZA	MARK, R. SHROUD *TYPE 1*	1
			87126-KBB-980ZB	MARK, R. SHROUD *TYPE 2*	1
		5	87127-KBB-980ZA	MARK, L. SHROUD *TYPE 1*	1
			87127-KBB-980ZB	MARK, L. SHROUD *TYPE 2*	1
		6	87128-KBB-980ZA	MARK, ELECTRIC STARTER *TYPE 1*	2
		7	87133-KBB-970ZA	MARK B, R. SIDE COVER *NH105* MAT BLACK (#15-#20) ..	1
		8	87134-KBB-970ZA	MARK B, L. SIDE COVER *NH105* MAT BLACK (#15-#20) ..	1

3

Back
 Retour
 Volver

Elément d'entretien	T.D.R.	No. de réf.	N° de pièce	Description	Q'té néc. XL200	N° de série	Codigo de Area
		1	87122-KBB-980ZA	MARQUE DE VISIERE AV. *TYPE1*	1
		2	87123-KBB-980ZA	MARQUE DE RESERVOIR D'ESSENCE D. *TYPE 1*	1
			87123-KBB-980ZB	MARQUE DE RESERVOIR D'ESSENCE D. *TYPE 2*	1
		3	87124-KBB-980ZA	MARQUE DE RESERVOIR D'ESSENCE G. *TYPE 1*	1
			87124-KBB-980ZB	MARQUE DE RESERVOIR D'ESSENCE G. *TYPE 2*	1
		4	87126-KBB-980ZA	MARQUE DE BUSE D. *TYPE 1*	1
			87126-KBB-980ZB	MARQUE DE BUSE D. *TYPE 2*	1
		5	87127-KBB-980ZA	MARQUE DE BUSE G. *TYPE 1*	1
			87127-KBB-980ZB	MARQUE DE BUSE G. *TYPE 2*	1
		6	87128-KBB-980ZA	MARQUE DE DEMARREUR ELECTRIQUE *TYPE1*	2
		7	87133-KBB-970ZA	MARQUE B, REVETEMENT LATERAL D. *NH105* NOIR MAT (#15-#20)	1
		8	87134-KBB-970ZA	MARQUE B, REVETEMENT LATERAL	1
				NH105 NOIR MAT (#15-#20)	1

Artículo de servicio	THLL	N° de ref.	No. de pieza	Descripción	Cant. Requerida XL200	No. de série	Code de Zone
		1	87122-KBB-980ZA	MARCA, VISERA DEL. *TIPO 1*	1
		2	87123-KBB-980ZA	MARCA, TANQUE DE COMBUSTIBLE DER. *TIPO 1*	1
			87123-KBB-980ZB	MARCA, TANQUE DE COMBUSTIBLE DER. *TIPO 2*	1
		3	87124-KBB-980ZA	MARCA, TANQUE DE COMBUSTIBLE IZO. *TIPO 1*	1
			87124-KBB-980ZB	MARCA, TANQUE DE COMBUSTIBLE IZO. *TIPO 2*	1
		4	87126-KBB-980ZA	MARCA, REFUERZO DERECHO *TIPO 1*	1
			87126-KBB-980ZB	MARCA, REFUERZO DERECHO *TIPO 2*	1
		5	87127-KBB-980ZA	MARCA, REFUERZO IZQUIERDO *TIPO 1*	1
			87127-KBB-980ZB	MARCA, REFUERZO IZQUIERDO *TIPO 2*	1
		6	87128-KBB-980ZA	MARCA, DEMARREUR ELECTRICO *TIPO 1*	2
		7	87133-KBB-970ZA	MARCA B DE CUBIERTA LATERAL DER. *NH105* NEGRO MATE (#15-#20)	1
		8	87134-KBB-970ZA	MARCA B DE CUBIERTA LATERAL IZO. *NH105* NEGRO MATE (#15-#20)	1

PART NUMBER INDEX / INDEX DES NUMEROS / INDICE DEL NUMERO DE LA PIEZA

Part n° N° de Pièce N° de la Pieza	Block n° N° de Adresse N° del Bloque	Part n° N° de Pièce N° de la Pieza	Block n° N° de Adresse N° del Bloque	Part n° N° de Pièce N° de la Pieza	Block n° N° de Adresse N° del Bloque	Part n° N° de Pièce N° de la Pieza	Block n° N° de Adresse N° del Bloque	Part n° N° de Pièce N° de la Pieza	Block n° N° de Adresse N° del Bloque	Part n° N° de Pièce N° de la Pieza	Block n° N° de Adresse N° del Bloque
06000		12208-413-003	E-2	14456-383-000	E-2	15446-107-000	E-7	16165-KBB-951	E-15	17913-KB7-000	F-3
		12251-KBB-901	E-1	14500-KBB-900	E-3	15446-KPS-900	E-7	16168-382-014	E-15	17920-KBB-900	F-3
06430-KFC-900	F-11	12271-383-000	E-1	14513-KBB-900	E-3	15459-107-000	E-7	16173-001-004	F-13	17950-KBB-900	F-3
06431-MA3-405	F-9	12331-KW8-920	E-1	14520-KCJ-661	E-3	15459-KBB-305	E-7	16198-KBB-900	E-15		
		12339-383-000	E-1	14520-KCT-691	E-3	15459-KTO-710	E-7	16210-KBB-900	E-1	18000	
		12339-KBB-305	E-1	14520-KCT-692	E-3	15459-KWK-900	E-7	16223-KBB-900	E-1		
		12339-KTO-710	E-1	14523-KBB-901	E-3	15650-KBW-940	E-5	16223-KPS-900	E-1	18291-216-000	F-17
11100-KBB-902	E-11	12339-KTO-711	E-1	14535-437-000	E-3	15772-292-010	F-16	16950-KBB-900	F-13	18291-KGA-E00	F-17
11108-KW1-900	E-13	12361-KPS-900	E-1	14550-KCJ-710	E-3	15772-376-000	F-16	16952-461-771	F-13	18292-415-000	F-17
11191-KBB-305	E-11	12361-KPS-900	E-11	14711-KBB-900	E-2	15772-MN1-670	F-16	16953-GG2-731	F-13	18292-MM9-740	F-17
11191-KBB-870	E-11	12361-KYO-890	E-1	14721-KBB-900	E-2			16958-MA1-731	F-13	18310-KBB-950	F-17
11191-KBB-871	E-11	12361-KYO-890	E-11	14751-383-005	E-2	16000		16959-471-831	F-13	18310-KBB-951	F-17
11191-KBB-900	E-11			14761-383-005	E-2					18320-KBB-950	F-17
11200-KBB-900	E-11	13000		14771-107-020	E-2	16010-428-671	E-15	17000		18321-KFC-900	F-17
11330-KBB-900	E-5			14775-107-000	E-2	16012-KBB-870	E-15			18321-KY7-000	F-17
11340-KW8-920	E-8	13000-KBB-901	E-12	14776-107-010	E-2	16012-KBB-980	E-15	17210-KBB-980	F-16	18355-KBB-900	F-17
11355-KW8-920	E-8	13011-KBB-305	E-12	14781-HA0-770	E-2	16012-KBB-981	E-15	17212-KBB-950	F-16	18374-MLO-000	F-17
11361-KBB-900	E-8	13021-KBB-305	E-12	14781-MB4-000	E-2	16013-439-921	E-15	17212-PA0-000	F-16	18392-HA7-710	F-17
11363-437-620	E-8	13031-KBB-305	E-12			16014-KZ1-670	E-15	17213-KB7-000	F-16		
11393-KBB-305	E-5	13101-KBB-901	E-12	15000		16015-KB7-901	E-15	17214-KV2-920	F-16	19000	
11393-KBB-870	E-5	13102-KBB-315	E-12			16016-393-701	E-15	17216-KBB-950	F-16		
11393-KBB-871	E-5	13103-KBB-315	E-12	15100-KBB-900	E-7	16018-428-671	E-15	17219-KB7-000	F-16	19034-MB3-000	F-23
11393-KBB-900	E-5	13111-440-000	E-12	15126-107-020	E-7	16021-KBB-951	E-15	17220-KB7-000	F-16	19100-KBB-980ZA	F-13
11395-KBB-305	E-8	13201-KYO-890	E-12	15131-KBB-900	E-7	16028-KBB-951	E-15	17222-KBB-900	F-16	19100-KBB-980ZB	F-13
11395-KCN-000	E-8	13311-KBB-900	E-12	15331-399-000	E-7	16032-KBB-900	E-15	17240-KBB-950	F-16	19200-KBB-980ZA	F-13
11395-KCN-010	E-8	13321-KBB-900	E-12	15331-KPS-900	E-7	16048-KB7-901	E-15	17256-KBB-900	F-16	19200-KBB-980ZB	F-13
11395-KW1-900	E-8	13380-KCN-300	E-12	15332-399-000	E-7	16075-GHB-640	E-15	17316-MN1-670	F-16		
				15332-KPS-900	E-7	16081-471-831	F-13	17358-170-000	F-16	22000	
		14000		15421-107-000	E-11	16100-KBB-871	E-15	17371-KBB-900	F-16		
				15426-107-000	E-11	16100-KBB-880	E-15	17372-KBB-900	F-16	22100-KBB-900	E-6
12000-KBW-940	E-1	14100-KBB-900	E-2	15426-KPS-900	E-11	16100-KBB-881	E-15	17503-KG0-000	F-13	22121-KBW-900	E-6
12100-KBB-900	E-4	14311-KN6-931	E-12	15430-440-030	E-7	16100-KBB-951	E-15	17550-KBB-980ZA	F-13	22131-KW1-900	E-6
12191-KBB-305	E-4	14321-KN6-930	E-3	15430-KPS-900	E-7	16100-KBB-980	E-15	17550-KBB-980ZB	F-13	22201-MR8-000	E-6
12191-KCN-000	E-4	14401-KBB-901	E-3	15436-107-000	E-7	16100-KBB-981	E-15	17611-397-000	F-13	22311-KN4-680	E-6
12191-KW1-900	E-4	14431-383-000	E-2	15436-KRM-840	E-7	16111-KBB-951	E-15	17620-460-067	F-13	22350-107-010	E-6
12204-KW1-305	E-1	14431-KPS-900	E-2	15441-KCS-650	E-7	16155-397-971	E-15	17681-KBB-900	F-13	22361-437-000	E-6
12206-KW1-315	E-1	14451-437-000	E-2	15441-KPS-900	E-7	16163-KCS-920	E-15	17910-KBB-900	F-3	22366-437-000	E-6

4



Back
Retour
Volver

PART NUMBER INDEX / INDEX DES NUMEROS / INDICE DEL NUMERO DE LA PIEZA

Part n° N° de Piéce N° de la Pieza	Block n° N° de Adresse N° del Bloque	Part n° N° de Piéce N° de la Pieza	Block n° N° de Adresse N° del Bloque	Part n° N° de Piéce N° de la Pieza	Block n° N° de Adresse N° del Bloque	Part n° N° de Piéce N° de la Pieza	Block n° N° de Adresse N° del Bloque	Part n° N° de Piéce N° de la Pieza	Block n° N° de Adresse N° del Bloque	Part n° N° de Piéce N° de la Pieza	Block n° N° de Adresse N° del Bloque
22401-KT0-000	E-6	24430-KW1-900	E-14	31205-MN4-008	E-10	33410-KBB-900	F-24	35101-KBB-900	F-5	40530-KW6-901	F-21
22810-KBB-900	E-5	24435-KBB-900	E-14	31206-KW1-901	E-10	33430-KBB-900	F-24	35121-KW8-920	F-5	40543-KBW-950	F-21
22815-428-000	E-5	24610-107-760	E-14	31207-KS5-901	E-10	33450-KBB-900	F-24	35130-KBB-900	F-3		
22815-KPS-900	E-5	24621-107-760	E-14	31500-KW1-902	F-26	33460-KBB-900	F-24	35200-KBB-870	F-3		
22838-KY0-890	E-11	24631-107-000	E-14	31502-KW8-900	F-26	33480-KBB-900	F-24	35200-KBB-871	F-3	41000	
22870-KBB-900	F-3	24631-KPS-900	E-14	3150A-KW1-305	F-26	33600-KBB-900	F-24	35200-KBB-900	F-3		
22878-KW8-900	F-28	24651-107-000	E-14	31510-KW8-900	F-26	33605-KBB-900	F-23	35330-MK5-003	F-3	41200-KBB-950	F-12
		24651-KGA-K60	E-14	31600-KBB-901	F-27	33606-KBB-900	F-23	35340-MA5-671	F-4	41203-KBB-900	F-12
23000		24700-KBB-900	F-18	31700-124-003	F-27	33610-KBB-900	F-24	35350-KBB-900	F-18		
		24781-KE1-000	F-18	31700-124-008	F-27	33611-KBB-900	F-24	35357-KBB-950	F-18		
23121-KBB-900	E-7					33620-KBB-900	F-27	35750-GS3-003	E-9	42000	
23211-KBB-900	E-13	28000		32000		33630-KBB-900	F-24	35752-028-300	E-9		
23221-KBB-900	E-13					33650-KBB-900	F-24	35753-KG2-951	E-14	42301-KBB-900	F-11
23426-KBB-900	E-13	28110-KBB-900	E-10	32100-KBB-890	F-27	33660-KBB-900	F-24	35850-KBB-900	F-26	42311-KBB-900	F-12
23427-KW1-900	E-13	28114-KN6-930	E-10	32100-KBB-900	F-27	33670-KBB-900	F-27	35851-KBB-900	F-26	42601-KW8-901	F-12
23441-KBB-900	E-13	28125-KW3-006	E-9	32401-KW8-900	F-26	33680-KBB-900	F-24	35855-MG7-751	F-26	42601-KW8-902	F-12
23451-KBB-900	E-13	28130-KBB-900	E-10	32402-KY7-000	E-10	33701-KBB-900	F-25	35856-MF5-751	F-26	42603-KY7-003	F-12
23452-KW1-900	E-13	28132-KN6-930	E-10	32404-MK4-000	E-10	33702-KBB-900	F-25			42604-KY7-003	F-12
23461-KBB-900	E-13	28140-KBB-900	E-10	32411-253-000	E-10	33703-KW8-900	F-25	37000		42620-KY7-000	F-12
23471-KBB-900	E-13	28142-KW1-900	E-10	32412-KW1-900	F-26	33712-KT1-670	F-25			42701-KFC-900	F-12
23481-KBB-900	E-13			32416-MF5-000	F-26	33718-KBB-900	F-25	37200-KBB-901	F-2	42711-KW8-902	F-12
23491-KBB-900	E-13	30000		32601-KBB-900	F-26	33741-HB9-641	F-25	37223-KBB-901	F-2	42712-KW8-901	F-12
23501-KBW-900	E-13			32921-437-000	E-1	33742-HB9-641	F-6	37242-435-700	F-14	42713-KW8-901	F-12
23511-KBW-900	E-13	30300-HA0-033	E-9	32976-KN6-910	E-9			37243-MG2-000	F-2		
23801-KCN-000	E-13	30401-KY7-000	F-27	32976-KW1-900	E-8	34000		37618-MB2-008	F-2	43000	
23811-KPS-900	E-13	30401-KY7-900	F-27								
23811-KR3-600	E-13	30410-KBB-901	F-27	33000		34351-657-921	F-25	38000		43100-KFC-790	F-11
		30500-KFC-901	F-27			34901-KW8-900	F-1			43100-KFC-900	F-11
24000		30700-152-153	F-27	33100-KBB-901	F-1	34905-271-000	F-24	38110-KB7-840	F-27	43141-KB7-000	F-11
				33103-KBB-900	F-1	34906-447-711	F-25	38110-KBB-890	F-27	43141-KB7-003	F-11
24211-KW1-900	E-14	31000		33107-KBB-900	F-1	34908-GA7-701	F-2	38301-KFC-790	F-27	43142-MN1-670	F-11
24221-KBB-900	E-14			33112-KBB-901	F-1	34908-MB9-871	F-2	38306-KK4-000	F-27	43145-KB7-000	F-11
24231-KW1-900	E-14	31110-KBB-901	E-9	33117-KA2-003	F-1					43151-110-000	F-11
24241-KCS-650	E-14	31120-KBB-901	E-9	33120-KBB-901	F-1	35000		40000		43352-568-003	F-9
24301-KBB-900	E-14	31200-KBB-901	E-10	33401-KBB-900	F-24					43353-461-771	F-9
24411-KCN-000	E-14	31201-KS5-901	E-10	33402-KBB-900	F-24	35010-KBB-900	F-5	40510-KBB-950	F-21	43410-KL4-000	F-11
24411-KGA-K60	E-14	31204-KS5-901	E-10	33403-KBB-900	F-24	35100-KBB-900	F-5	40521-437-000	F-23	43410-MC4-010	F-11

4



Back
Retour
Volver

PART NUMBER INDEX / INDEX DES NUMEROS / INDICE DEL NUMERO DE LA PIEZA

Part n° N° de Pièce N° de la Pieza	Block n° N° de Adresse N° del Bloque	Part n° N° de Pièce N° de la Pieza	Block n° N° de Adresse N° del Bloque	Part n° N° de Pièce N° de la Pieza	Block n° N° de Adresse N° del Bloque	Part n° N° de Pièce N° de la Pieza	Block n° N° de Adresse N° del Bloque	Part n° N° de Pièce N° de la Pieza	Block n° N° de Adresse N° del Bloque	Part n° N° de Pièce N° de la Pieza	Block n° N° de Adresse N° del Bloque
43451-KBB-950	F-18	45134-KB7-005	F-11	50204-KBB-900	F-28	51440-KBB-981	F-8	53000		61000	
43472-KB9-750	F-18	45150-KBB-305	F-9	50205-KBB-900ZK	F-28	51447-KR6-003	F-8				
44000		45203-MG3-016	F-9	50311-KBB-900ZE	F-23	51450-KAS-901	F-8	53100-KBB-930ZC	F-5	61100-KBB-980ZA	F-7
		45215-ML7-922	F-9	50535-ML6-670	F-20	51480-KBB-981	F-8	53131-KBB-950ZA	F-5	61100-KBB-980ZB	F-7
44301-KW8-900	F-10	45351-KBB-900	F-10	50540-KBB-980	F-20	51480-KBB-982	F-8	53132-KBB-950	F-5	61103-KBB-900	F-23
44311-MG3-000	F-10	45461-KV6-910	F-8	50548-356-700	F-20	51490-KR6-305	F-8	53133-237-680	F-5	61104-KBB-900	F-7
44601-KV2-900	F-10	45465-KBB-900	F-6	50548-KRE-690	F-20	51500-KBB-980ZA	F-8	53140-MK5-010	F-3	61104-KPS-760	F-7
44604-KBB-900	F-10	45466-KA4-000	F-5	50549-356-700	F-20	51500-KBB-981	F-8	53140-MK5-020	F-3	61300-KBB-980ZA	F-1
44605-MG2-000	F-10	45466-KA4-000	F-6	50603-033-010	F-19	51500-KBB-982	F-8	53165-MK5-010	F-3	61300-KBB-980ZB	F-1
44610-KL3-770	F-10	45467-KL4-670	F-6	50612-KBB-900	F-19	51520-KBB-902	F-8	53166-MK5-010	F-3	61302-KBB-900	F-1
44620-MG3-000	F-10	45468-KBB-900	F-6	50617-466-000	F-19	51520-KBB-903	F-8	53167-KAS-900	F-3	61303-KBB-900	F-1
44680-MA0-000	F-10	45469-KBB-900	F-5	50642-KBB-900	F-19	51611-KR6-013ZH	F-8	53168-KAS-900	F-3	61304-KBB-900	F-1
44701-KBZ-950	F-10	45504-410-003	F-4	50661-KAS-900	F-19	51612-430-010	F-8	53169-KB7-000	F-3	61311-KBB-900	F-3
44711-KW8-902	F-10	45510-KBB-305	F-4	50661-KRH-D20	F-19	51634-MA0-003	F-8	53172-KRH-D20	F-3	61313-KBB-900	F-5
44712-KW8-901	F-10	45513-KV2-900	F-4	50662-KAS-900	F-19			53172-KS5-700	F-3	61314-KBB-900	F-5
44713-KW8-901	F-10	45513-KV2-901	F-4	50701-KFC-900	F-19	52000		53174-KE1-000	F-3	61315-KBB-900	F-5
44800-KE1-762	F-10	45517-166-006	F-4	50702-KFC-900	F-19			53175-KV2-900	F-4	61316-KBB-900	F-5
44806-KE1-761	F-10	45518-MG3-016	F-4	50710-371-007	F-28	52109-430-300	F-21	53177-KW8-900	F-3	61317-KBB-900	F-2
44809-402-000	F-10	45520-MG7-006	F-4	50710-KB7-000	F-19	52141-KY7-000	F-21	53178-MG7-003	F-3	61318-KFC-900	F-6
44830-KW8-900	F-2	45521-HA2-006	F-4	50712-405-000	F-19	52144-356-003	F-21	53180-KBB-980ZA	F-4		
44831-KV2-900	F-2	45530-KJ1-702	F-4	50715-KW8-920	F-19	52144-356-005	F-21	53180-KBB-980ZB	F-4	64000	
44831-KW8-900	F-2					52156-KAS-900	F-19	53180-KV2-900ZE	F-4		
44832-KR6-000	F-8	46000		51000		52156-KB7-000	F-21	53180-KV2-900ZM	F-4	64203-KBB-900ZC	F-13
						52159-KB7-000	F-21	53181-KN5-670	F-3	64203-KBB-900ZH	F-13
45000		46500-KBB-950	F-18	51400-KBB-980ZA	F-8	52170-KBB-901	F-21	53185-KBB-950ZB	F-3	64231-KBB-900	F-13
		46513-KY7-000	F-18	51401-KBB-901	F-8	52171-KR6-000	F-21	53185-KBB-950ZF	F-3	64527-KSS-900	F-25
45105-KAS-415	F-9	46515-KY7-000	F-18	51402-KBB-901	F-8	52175-KBB-900	F-21	53185-KBB-980ZB	F-3	64527-KY2-700	F-25
45105-KBB-405	F-9	46525-KK0-003	F-18	51403-ME4-003	F-8	52200-KBB-930	F-21	53185-KBB-980ZF	F-3		
45107-ML0-016	F-9	46526-KY7-000	F-18	51410-KBB-901	F-8	52400-KBB-980ZA	F-22	53192-268-000	F-3	77000	
45108-KW8-901	F-9			51411-MG1-003	F-8	52400-KBB-981ZA	F-22	53192-KRM-860	F-3		
45110-KCY-671	F-9	50000		51412-461-003	F-8	52463-KY7-000	F-22	53200-KBB-950	F-6	77200-KBB-980ZA	F-14
45112-KS6-701	F-9			51414-461-003	F-8	52464-KY7-000	F-22	53208-KCH-900	F-5	77205-286-000	F-14
45125-KBB-981	F-4	50100-KBB-980ZA	F-28	51415-MA0-771	F-8	52469-KBB-305	F-22	53214-KA4-701	F-6	77219-MJ6-000	F-15
45131-166-016	F-9	50142-437-970	F-1	51420-KBB-902	F-8	52473-KY7-000	F-22	53220-KA2-000	F-6	77220-KW8-900	F-14
45131-HA5-672	F-9	50201-KBB-900	F-28	51420-KBB-903	F-8	52479-KBB-305	F-22	53230-KBB-950	F-5		
45132-166-016	F-9	50202-KBB-900	F-28	51432-KAS-901	F-8						
45133-MA3-006	F-9	50203-KBB-900ZF	F-28	51437-ME4-003	F-8						

4



Back
Retour
Volver

PART NUMBER INDEX / INDEX DES NUMEROS / INDICE DEL NUMERO DE LA PIEZA

Part n° N° de Pièce N° de la Pieza	Block n° N° de Adresse N° del Bloque	Part n° N° de Pièce N° de la Pieza	Block n° N° de Adresse N° del Bloque	Part n° N° de Pièce N° de la Pieza	Block n° N° de Adresse N° del Bloque	Part n° N° de Pièce N° de la Pieza	Block n° N° de Adresse N° del Bloque	Part n° N° de Pièce N° de la Pieza	Block n° N° de Adresse N° del Bloque	Part n° N° de Pièce N° de la Pieza	Block n° N° de Adresse N° del Bloque
80000		84000		89211-MJO-950	F-29	90040-GHR-780	E-5	90113-KF0-770	F-4	90304-GE8-003	F-12
80101-165-000	F-1	84701-KBB-870	F-25	89217-KW8-910	F-29	90040-GHR-780	E-8	90113-KW8-900	F-3	90304-GE8-003	F-20
80102-KB7-000	F-23	84701-KBB-900	F-25	89218-KB7-900	F-29	90040-GHR-780	E-11	90116-383-721	F-8	90304-GE8-003	F-22
80102-KV2-900	F-23			89222-443-900	F-29	90040-GHR-800	E-8	90120-KPS-900	F-3	90304-KBB-900	F-17
80103-KBB-900	F-23	87000		89224-443-900	F-29	90040-GHR-800	E-11	90121-KPS-900	F-3	90305-GE8-003	F-21
80104-KBB-900	F-23			89225-KW8-900	F-29	90040-GHR-820	E-8	90121-KY7-000	F-21	90305-MA0-003	F-12
80105-061-000	F-16	87122-KBB-980ZA	F-31	89226-KW8-900	F-29	90041-KBB-900	E-1	90127-KF0-770	F-3	90309-KF0-003	F-5
80106-MG7-000	F-25	87123-KBB-980ZA	F-31	89226-KW8-901	F-29	90041-KGA-K60	E-1	90127-KF0-770	F-4	90321-315-670	F-3
80110-KBB-900	F-23	87123-KBB-980ZB	F-31	89228-443-900	F-29	90050-357-000	E-6	90128-KBB-900	F-12	90322-KRM-860	F-3
80110-KBB-901	F-23	87123-KBB-980ZB	F-31	89302-MJO-940	F-29	90071-MB0-000	E-10	90130-KBB-900	F-22	90344-692-003	F-13
80200-KBB-980ZA	F-23	87124-KBB-980ZA	F-31	89302-MJO-950	F-29	90071-MG8-000	E-3	90131-MS6-900	F-9	90401-KW1-900	E-10
80200-KBB-980ZB	F-23	87124-KBB-980ZB	F-31			90081-KBB-900	E-1	90136-428-870	F-13	90403-KN6-930	E-9
		87126-KBB-980ZA	F-31	90000		90084-471-000	E-8	90145-GC4-730	F-28	90408-KW1-900	E-14
		87126-KBB-980ZB	F-31	90001-961-670	F-1	90085-413-781	E-9	90145-MS9-612	F-4	90434-KN6-930	E-6
		87127-KBB-980ZA	F-31	90001-KN6-930	E-13	90086-444-000	F-6	90150-KBB-950	F-22	90434-KN6-930	E-7
		87127-KBB-980ZB	F-31	90002-KW1-900	E-3	90087-471-000	E-8	90153-KBB-900	F-22	90438-671-000	F-25
83119-MG9-000	F-16	87128-KBB-980ZA	F-31	90003-438-850	F-25	90089-HB3-000	E-9	90154-MA0-000	F-28	90441-MT3-000	F-28
83500-KBB-980ZA	F-15	87133-KBB-970ZA	F-31	90003-KN8-730	E-1	90101-440-000	E-7	90155-KBB-900	F-18	90442-028-000	E-1
83500-KBB-980ZB	F-15	87134-KBB-970ZA	F-31	90004-GHB-700	E-1	90101-KBB-900	F-18	90156-MA0-770	F-28	90442-KPS-900	E-1
83501-KB7-000	F-29	87505-KBB-980	F-30	90005-KPS-900	E-10	90101-KBB-950	F-15	90157-KB7-940	F-22	90443-107-000	E-1
83504-KB7-000	F-29	87506-KFC-920	F-30	90005-KRM-840	E-3	90101-KW8-900	F-18	90157-KB7-940	F-28	90443-KBB-950	E-1
83505-MN0-000	F-23	87507-KFC-920	F-30	90005-KY7-000	E-3	90103-KB7-000	F-5	90181-KE7-000	F-28	90443-KPS-900	E-1
83505-MN0-000	F-24	87508-MC8-670	F-30	90005-KY7-000	E-3	90103-KB7-000	F-6	90204-KA3-730	F-10	90451-001-000	E-14
83507-422-000	F-29	87560-MZ0-610	F-30	90010-ML0-720	F-18	90105-GHR-J40	F-3	90204-KPS-900	F-10	90451-107-000	E-13
83508-MR4-900	F-29	87560-MZ0-611	F-30	90012-KN6-930	E-2	90105-KBB-900	F-5	90206-250-000	E-2	90451-KPS-900	E-13
83512-KA4-700	F-17	87565-KBB-980ZA	F-30	90023-KK3-830	E-9	90105-KN5-000	F-10	90208-GHR-630	F-14	90452-437-000	E-13
83512-KPS-730	F-17	87565-KBB-980ZB	F-30	90023-KPS-900	E-14	90105-KV3-851	F-10	90213-KPS-900	E-7	90452-KPT-900	E-13
83551-300-000	F-13			90024-KPS-900	E-9	90106-MBB-000	F-10	90231-KB5-720	E-6	90454-107-000	E-13
83551-300-000	F-15	88000		90023-KW1-900	E-14	90106-MT3-003	F-10	90231-KK3-830	E-7	90454-KPS-900	E-13
83600-KBB-980ZA	F-15			90024-KPT-900	E-9	90107-KW8-900	F-28	90231-KPS-900	E-7	90455-107-000	E-13
83600-KBB-980ZB	F-15	88110-KBB-900	F-3	90031-KN6-930	E-11	90108-KV6-000	F-20	90286-147-670	F-1	90455-KPS-900	E-13
83601-357-000	F-16	88113-KBA-900	F-3	90032-GHR-740	F-11	90109-KW8-900	F-28	90301-473-003	F-8	90461-107-000	E-6
83601-KBZ-950	F-15	88210-KBB-900	F-3	90032-KN6-930	E-11	90111-362-000	F-5	90301-473-003	F-11	90471-KW1-900	E-7
83601-KBZ-950	F-16			90040-GHR-680	E-8	90112-GW3-000	F-19	90301-473-003	F-25	90475-703-000	E-3
		89000		90040-GHR-700	E-8	90112-KPS-900	E-7	90301-KBA-900	F-3	90475-KPF-960	E-3
				90040-GHR-760	E-5	90113-GE8-000	F-28	90301-KBB-970	F-2	90485-286-000	F-13
		89010-KBB-900	F-29	90040-GHR-760	E-8	90113-HA6-770	F-3	90304-425-000	F-5	90488-425-000	E-3

PART NUMBER INDEX / INDEX DES NUMEROS / INDICE DEL NUMERO DE LA PIEZA

Part n° N° de Pièce N° de la Pieza	Block n° N° de Adresse N° del Bloque	Part n° N° de Pièce N° de la Pieza	Block n° N° de Adresse N° del Bloque	Part n° N° de Pièce N° de la Pieza	Block n° N° de Adresse N° del Bloque	Part n° N° de Pièce N° de la Pieza	Block n° N° de Adresse N° del Bloque	Part n° N° de Pièce N° de la Pieza	Block n° N° de Adresse N° del Bloque	Part n° N° de Pièce N° de la Pieza	Block n° N° de Adresse N° del Bloque
90501-KBB-900	F-16	91000		91302-KPS-730	E-8	93500-04045-0G	F-3	94021-06000-0S	F-2	94601-15000	E-12
90501-MF9-710	F-20			91303-377-000	E-8	93500-05016-0G	F-3	94030-08000	F-21		
90502-KB7-940	F-14	91001-KBW-940	E-12	91303-KK3-830	E-1	93500-05018-0G	F-3	94030-10200	F-28	95000	
90502-KB7-940	F-25	91001-KBW-941	E-12	91303-KK3-830	E-11	93500-05020-0G	F-3	94050-06000	F-3		
90502-KGA-E00	F-14	91001-KCN-003	E-12	91303-KPS-730	E-1	93500-05022-0G	F-8	94050-06000	F-4	95002-02100	F-13
90502-KGA-E00	F-25	91008-HB5-003	E-14	91303-KPS-730	E-11	93500-05025-0G	E-1	94050-06000	F-14	95002-02659	E-15
90502-MF9-710	F-20	91008-KK6-000	E-6	91303-KRM-840	E-8	93500-05025-0G	F-16	94050-06000	F-16	95005-12300-30	F-16
90503-425-000	F-5	91008-KPS-900	E-6	91304-HB3-003	E-1	93500-05028-0G	F-16	94050-06000	F-25	95005-35360-50	E-15
90505-MC4-000	F-16	91015-KK6-003	E-13	91304-KGA-940	E-8	93600-04012-0A	E-7	94050-08000	F-23	95015-32001	F-18
90511-KPS-900	F-7	91015-KV6-003	F-6	91304-KK3-830	E-7	93600-04012-1G	F-4	94050-08000	F-28	95015-42000	F-18
90512-300-000	F-29	91058-MG9-681	F-5	91304-KPS-900	E-7	93600-05010-1H	E-15	94050-10000	F-17	95015-53000	F-18
90513-323-000	F-29	91059-KY2-711	F-5	91304-KRM-840	E-1	93600-06016-0A	E-2	94050-10000	F-28	95015-81000	F-19
90535-292-000	F-5	91059-MK4-601	F-5	91304-MM5-003	E-8	93700-05012-0A	E-7	94050-10070	F-3	95701-06010-00	F-21
90544-283-000	F-8	91071-KBB-901	F-22	91306-105-690	E-3	93700-05018-0G	F-2	94101-03000	F-29	95701-06010-07	F-5
90545-292-000	F-7	91071-KBB-902	F-22	91306-KRM-840	E-3	93891-05025-07	F-24	94101-06000	E-1	95701-06010-07	F-13
90545-300-000	F-4	91071-MAO-003	F-21	91307-035-000	E-5	93892-03008-18	E-15	94101-06000	F-19	95701-06010-07	F-26
90559-KY7-000	F-12	91071-MAO-004	F-21	91307-KRM-840	E-5	93892-04008-18	E-15	94101-06200	F-17	95701-06010-07	F-27
90605-200-000	E-13	91078-KN5-003	F-22	91309-425-003	E-10	93892-04012-18	E-15	94101-08000	F-19	95701-06012-00	E-3
90605-KPS-900	E-13	91102-KC6-003	E-12	91312-107-000	E-9	93892-04014-18	E-15	94101-08000	F-23	95701-06012-00	F-6
90606-KRM-840	E-14	91102-KPS-900	E-14	91320-MB0-000	E-10	93892-04016-18	E-15	94101-08700	F-19	95701-06012-00	F-13
90650-KW3-000	F-3	91103-KC6-003	E-12	91357-ME4-003	F-8	93892-05010-18	E-15	94102-08700	F-21	95701-06012-00	F-27
90651-MA5-671	F-4	91104-KC6-003	E-12	91414-671-000	F-6	93893-04012-17	F-4	94103-06000	F-2	95701-06012-00	F-29
90652-KBB-910	F-16	91105-KW3-003	E-12	91501-MR4-900	F-29	93894-05010-17	F-3	94103-06000	F-25	95701-06016-00	F-2
90664-KA2-000	F-12	91201-030-025	E-13			93901-22380	F-24	94111-03000	F-3	95701-06016-00	F-16
90703-HC4-000	E-8	91201-030-033	E-13	92000		93901-25080	F-21	94111-06000	F-26	95701-06020-00	F-16
90703-HC4-000	E-11	91201-148-003	E-5			93901-32320	F-3	94201-16150	F-19	95701-06020-00	F-21
90703-KPS-900	E-8	91202-965-003	E-11	92101-05020-0A	E-7	93901-34210	F-1	94201-20120	F-18	95701-06022-00	F-25
90703-KPS-900	E-11	91205-KA3-711	F-22	92101-06025-0A	E-14	93901-34410	F-25	94201-20150	F-19	95701-06022-07	F-25
90704-KPS-900	E-4	91205-KA3-712	F-22	92301-06020-0A	F-16	93903-24210	F-13	94201-20150	F-21	95701-06025-00	F-7
90741-KS4-020	E-12	91251-KY7-003	F-22	92900-06025-0E	F-8			94201-30450	F-29	95701-06025-00	F-23
90742-KW8-900	F-28	91253-443-761	F-12			94000		94251-08000	E-7	95701-06025-07	F-20
90743-KW8-900	F-28	91254-KR6-003	F-8	93000				94301-08140	E-1	95701-06035-00	F-11
90751-KPS-900	E-7	91258-410-006	F-10			94001-05000-0S	F-28	94301-08140	E-5	95701-06060-00	E-10
90755-229-003	F-10	91258-410-013	F-10	93101-06010-0A	E-13	94001-05070-0S	F-8	94301-10200	E-4	95701-08014-00	F-14
90755-229-005	F-10	91301-107-000	E-1	93500-03025-0A	F-8	94001-08000-0S	F-21	94305-30102	E-5	95701-08014-00	F-28
		91301-KW1-900	E-1	93500-04012-0G	F-25	94002-06000-0S	F-18	94510-12000	E-14	95701-08016-00	F-23
		91302-567-003	E-8	93500-04032-0G	F-3	94002-06000-0S	F-26	94510-14000	E-14	95701-08018-07	F-19

4



Back
Retour
Volver

PART NUMBER INDEX / INDEX DES NUMEROS / INDICE DEL NUMERO DE LA PIEZA

Part n° N° de Piéce N° de la Pieza	Block n° N° de Adresse N° del Bloque	Part n° N° de Piéce N° de la Pieza	Block n° N° de Adresse N° del Bloque	Part n° N° de Piéce N° de la Pieza	Block n° N° de Adresse N° del Bloque	Part n° N° de Piéce N° de la Pieza	Block n° N° de Adresse N° del Bloque	Part n° N° de Piéce N° de la Pieza	Block n° N° de Adresse N° del Bloque	Part n° N° de Piéce N° de la Pieza	Block n° N° de Adresse N° del Bloque
95701-08020-00	F-17	97000									
95701-08032-02	F-17										
95701-08040-07	F-23	97000-45200	F-10								
95701-08045-07	F-23	97000-45200	F-12								
95701-10016-00	F-17	9700W-06500	F-10								
95801-06032-00	E-10	9700W-06500	F-12								
96000		98000									
96001-06012-02	F-17	98069-57911	E-1								
96001-06012-07	F-8	98069-58911	E-1								
96001-06014-00	E-8	98200-31500	F-26								
96001-06016-00	F-13										
96001-06018-00	F-1	99000									
96001-06020-00	E-1										
96001-06020-00	E-8	99008-01600	F-29								
96001-06020-00	F-27	99101-393-1120	E-15								
96001-06022-07	F-4	99101-393-1150	E-15								
96001-06025-00	E-8	99101-GHB-1200	E-15								
96001-06032-00	E-9	99103-440-0420	E-15								
96001-06040-00	E-5	99103-KW6-0420	E-15								
96001-06040-00	E-8										
96001-06050-00	E-5										
96001-06050-00	E-8										
96001-06050-00	E-11										
96001-06060-00	E-8										
96001-06060-00	E-11										
96001-06070-00	E-8										
96100-60040-00	E-13										
96100-62040-00	E-13										
96140-62020-10	F-10										
96140-62030-10	F-12										
96140-63030-10	F-12										
96220-40100	E-14										



HONDA
The Power of Dreams