



XR125LEK / LK
XL125LK

XR125LEK_c
XR125LK_c
XL125LK_c

PARTS CATALOGUE

1

FOREWORD INDEX

1

ENGINE GROUP

2

FRAME GROUP

3

PART NUMBER INDEX

4

PART NAME INDEX

5

Instruction for use of parts catalogue

- **This parts catalogue has been created as of May 10, 2012.**
 - Since this date, the sales practice for repair parts may have been changed or the parts may have been eliminated (listed for those not for sale).
 - The modified information is reflected on the latest Electronic Parts Catalogue (EPC). Also, refer to the parts catalogue news for any change.
 - See the parts catalogue news for any revision that is made after May 10, 2012.
- **Always specify the part number when ordering a part.**
 - Check the model, type, serial numbers, color, maker, and the size as needed before ordering a part.
 - Note that the illustrations (part drawings) can differ from the actual parts in shape. They are given just to help you to refer to the parts.
- **When modifications or additions to this parts catalogue are made, a revised edition will be issued at an appropriate time, with successively progressing revision numbers on the cover. We recommend obtaining such revisions in order to keep your parts catalogue up-to-date at all times. To check whether a parts catalogue revision has been issued, please contact your Honda distributor.**

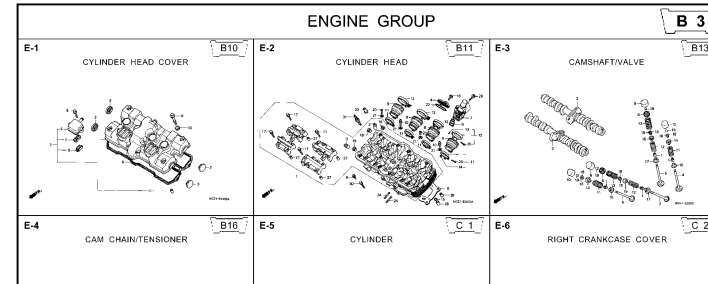
Initial version issue date
 May 10, 2012
Honda Motor Co., Ltd.

CONTENTS

	Page	Address No.
● Instruction for use of parts catalogue	1	B 1
● How to refer to the part information	2	B 2
● Part catalogue structure	3	B 3
● When the parts were revised	4	B 4
● Abbreviations used in the parts catalogue	4	B 4
● Part block and serial number check	5	B 5
● Color label attachment position check	5	B 5
● Models, parts catalogue codes and applicable serial numbers	6	B 6
● Color label	7	B 7
● Color chart	8	B 8
● Fuel hose, general purpose hoses and vinyl hose	20	C 4
● FLAT RATE SERVICE TIME	24	C 8
● Illustrated index	29	C13
● ENGINE GROUP	36	E 1
● FRAME GROUP	57	G 1
● PART NO. INDEX	108	K 1
● PART NAME INDEX	113	L 1

How to refer to the part information

A Reference with "Illustrated index"

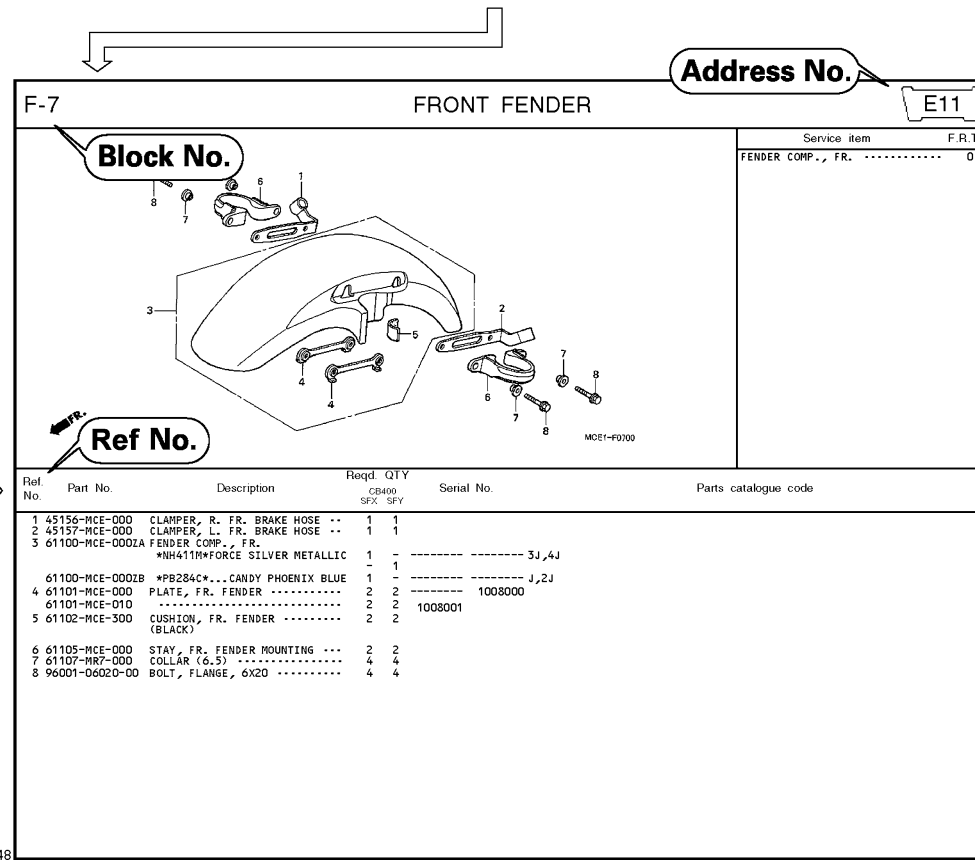


B Reference with "Part number index"

PART NO. INDEX					
Part Number	Address	Page	Ref.	Part Number	Address Page Ref.
04000				13323-MY9-751	C12 28 10 14921
04911-MCE-000	C10	26	1	13324-MY9-751	C12 28 10 14931
				13325-MY9-751	C12 28 10 14932
				13327-MY9-751	C12 28 10 14933
06000				14000	14933
06405-MY5-P00	F13	67	3	14100-MCE-000	B13 13 2 14933
06405-MY5-P10	F13	67	3	14200-MCE-000	B13 13 3 14933
06410-MY9-860	F2	56	1	14321-MCE-000	B16 16 2 14933
06435-MCE-006	F1	55	1	14401-MCE-003	B16 16 3 14933
06451-166-405	E13	51	2	14510-MBE-000	B16 16 4 14934
06451-443-405	F1	55	2	14520-MY9-691	B16 16 5 14934
06451-MA7-405	E13	51	1	14524-MY9-690	B16 16 6 14934
06455-MCE-006	E13	51	3	14546-MCE-000	B16 16 7 14934
				14620-MY9-691	B16 16 8 14934
11000				14711-MCE-000	B13 13 4 14934
11210-MCE-000	C9	25	1	14712-MCE-000	B13 13 5 14934
11330-MCE-305	C2	18	1	14721-MCE-000	B13 13 6 14934
11333-KT8-000	C6	22	1	14722-MCE-000	B13 13 7 14934
11335-MCE-000	C2	18	2	14730-MCE-000	B13 13 8 14934
11360-MCE-000	C7	23	1	14731-MCE-000	B13 13 9 14934
11365-MCE-000	C7	23	2	14731-MY9-751	B13 13 10 14935
11396-MY9-000	C2	18	3	14751-KY2-000	B13 13 11 14935
11631-MCE-000	C5	21	1	14751-MCE-000	B13 13 12 14935
11691-MY9-000	C5	21	2	14761-MCE-000	B13 13 13 14935

C Reference with "Part name index"

PART NAME INDEX				
Part name	Address	Page	Ref.	Part name
[A]				BOLT , CHANG I
ADJUSTER , CHAIN	F13	67	5	BOLT , CLUTC H
ARM COMP , GEAR CHANGE	F10	64	3	BOLT , CONNECT
ARM , L. MAIN STEP	F11	65	8	BOLT , DISK , 6
ARM , L. PILLIØ STEP	F11	65	12	BOLT , DISK , 8
ARM , R. MAIN STEP	F11	65	5	BOLT , DRAIN I
ARM , R. PILLIØ STEP	F11	65	11	BOLT , FLANG E
AUT O DOC K ASSY , FUEL	F4	58	2	BOLT , FLANG E
AXLE , FR. WHEEL	E14	52	3	BOLT , FLANG E
AXLE , RR. WHEEL	F2	56	3	BOLT , FLANG E
[B]				BOLT , FLANG E
BAG , AIR PRESSUR E GAUGE	F67	77	4	BOLT , FLANG E
BAG , SERVICE BOOK	F67	77	1	BOLT , FLANG E
BAG , TOOL	F67	77	3	BOLT , FLANG E
BALL , STEEL	F11	65	20	BOLT , FLANG E
BAN D A , INSULATOR	B11	11	11	BOLT , FLANG E
BAN D B , INSULATOR	B11	11	12	BOLT , FLANG E
BAN D , AIR CLEANER CONNECTING	F8	62	22	BOLT , FLANG E
BAN D , U-LOCK	F16	70	5	BOLT , FLANG E
BAN D , WIRE	C10	26	14	BOLT , FLANG E
	E5	43	21	
	G4	74	1R	

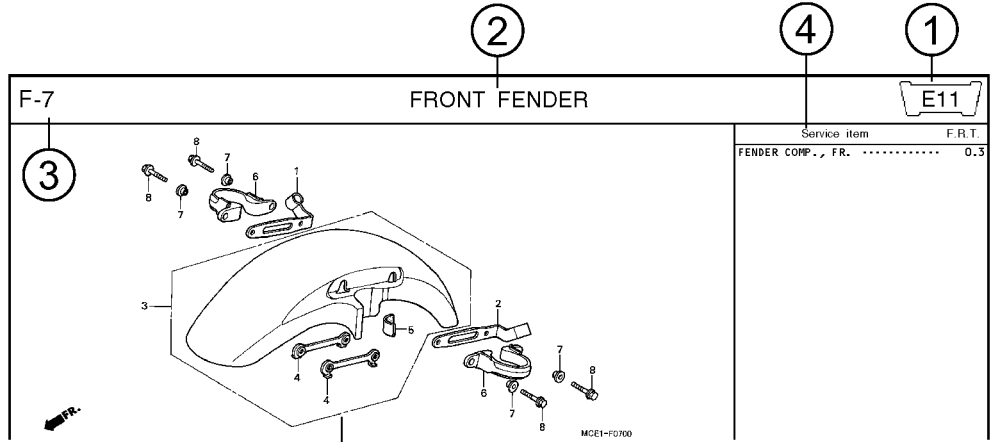


Ref. No.	Part No.	Description	Reqd. QTY	Serial No.	Parts catalogue code
			CB400 SFY		
1	45156-MCE-000	CLAMPER, R. FR. BRAKE HOSE	1		
2	45157-MCE-000	CLAMPER, L. FR. BRAKE HOSE	1		
3	61100-MCE-000	FENDER COMP., FR. *NH411M*FORCE SILVER METALLIC	1		3J,4J
	61100-MCE-000	*PB284C*... CANDY PHOENIX BLUE	1		J,2J
4	61101-MCE-000	PLATE, FR. FENDER	2	1008000	
	61101-MCE-010	PLATE, FR. FENDER	2	1008001	
5	61102-MCE-300	CUSHION, FR. FENDER (BLACK)	2		
6	61105-MCE-000	STAY, FR. FENDER MOUNTING	2		
7	61107-MR7-000	COLLAR (6.5)	4		
8	96001-06020-00	BOLT, FLANGE, 6X20	4		

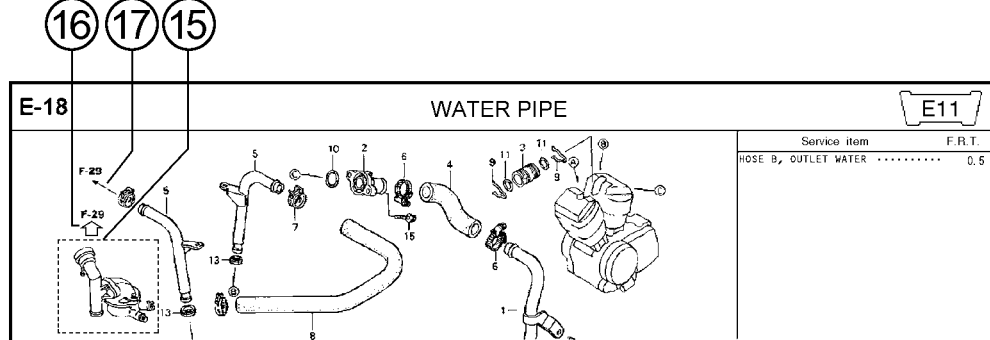
Page No.

2000.09.01 E

Part catalogue structure



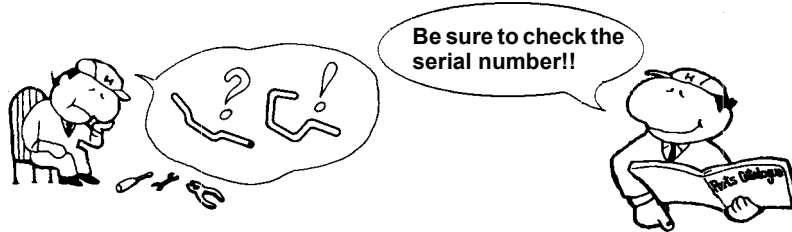
Ref. No.	Part No.	Description	Reqd. QTY		Serial No.	Parts catalogue code
			CB400 SFX	SFY		
1	45156-MCE-000	CLAMPER, R. FR. BRAKE HOSE ..	1	1		
2	45157-MCE-000	CLAMPER, L. FR. BRAKE HOSE ..	1	1		
3	61100-MCE-000ZA	FENDER COMP., FR. *NH411M*FORCE SILVER METALLIC	1	-	----- 3J,4J	
	61100-MCE-000ZB	*PB284C*...CANDY PHOENIX BLUE	1	-	----- J,2J	
4	61101-MCE-000	PLATE, FR. FENDER	2	2	1008000	
	61101-MCE-010	2	2	1008001	
5	61102-MCE-300	CUSHION, FR. FENDER	2	2		
		(BLACK)				



Ref. No.	Part No.	Description	Reqd. QTY		Serial No.	Parts catalogue code
			CB400 SFX	SFY		
		HOSE B, OUTLET WATER				0.5

- ① **Address number**
 - Address No. is provided (in place of the page No.) to help you refer to the part with the part No. or part name.
- ② **Block title** ③ **Block number**
- ④ **Service item/Flat rate time**
- ⑤ **Reference number**
 - Title number marked with the parenthesis or parentheses indicates that it continues from the previous page.
- ⑥ **Part number** ⑦ **Honda color code**
- ⑧ **Description**
- ⑨ **Assemblies**
 - Sections framed with broken lines in the exploded view drawings are available as complete assemblies. (Their individual parts can also be obtained.)
- ⑩ **Color description**
- ⑪ **Note**
 - Notes are shown with the parentheses in the part name column.
- ⑫ **Required quantity**
 - Reqd. QTY shown in the parenthesis or parentheses indicates the optional part.
 - Reqd. QTY marked with "N" indicates the optional part that should be selected as needed.
 - Reqd. QTY indicates the number of the part used in the block.
- ⑬ **Serial number**
- ⑭ **Parts catalogue code**
 - When the parts catalogue code column is blank, it indicates that the part is applicable to all codes.
- ⑮ **[Dotted line box]**
 - Parts enclosed within a dotted line [] are covered in a different block.
- ⑯ **[Hollow arrow]**
 - A hollow arrow [] indicates the block No. for the parts enclosed within a dotted line [] .
- ⑰ **[Solid arrow]**
 - A solid arrow [] indicates the block No. the part in question is connected to.

When the parts were revised



Ref. No.	Part No.	Description	Reqd. QTY		Serial No.
			CB400 SFX	SFY	
1	45156-MCE-000	CLAMPER, R. FR. BRAKE HOSE ..	1	1	
2	45157-MCE-000	CLAMPER, L. FR. BRAKE HOSE ..	1	1	
3	61100-MCE-000ZA	FENDER COMP., FR. *NH411M*FORCE SILVER METALLIC	1	-	-----3J,4J
	61100-MCE-000ZB	*PB284C*...CANDY PHOENIX BLUE	1	-	-----J,2J
4	61101-MCE-000	PLATE, FR. FENDER (###).....	2	2	-----1008000
	61101-MCE-010	2	2	-----1008001
5	61102-MCE-300	CUSHION, FR. FENDER (BLACK)	2	2	
6	61105-MCE-000	STAY, FR. FENDER MOUNTING ...	2	2	
7	61107-MR7-000	COLLAR (6.5)	4	4	
8	96001-06020-00	BOLT, FLANGE, 6X20	4	4	

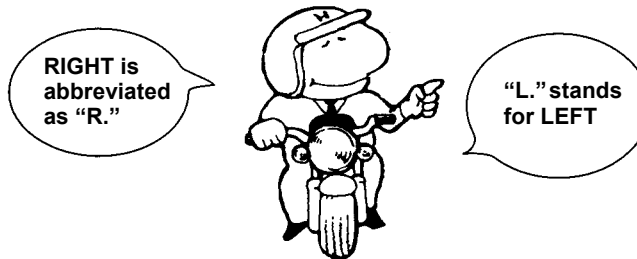
The number has been used from the initial model without revision.

When shown at the left side, it is applicable to the models of No.1008001 and the subsequent numbers.

When shown at the right side, it is applicable to the models up to No.1008000.

The parts listed with "###" at the end of the parts name have limited supply period (parts not for sale).

Abbreviations used in the parts catalogue

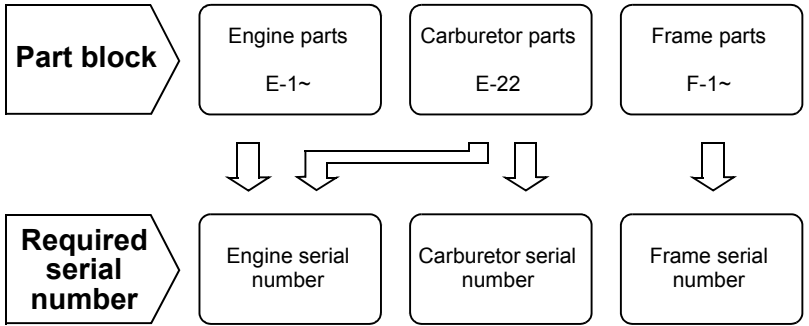


* "L." or "R." in the description of a part stands for the LEFT hand side or the RIGHT hand side. Determine the left or right as if you were in the motorcycle seat.

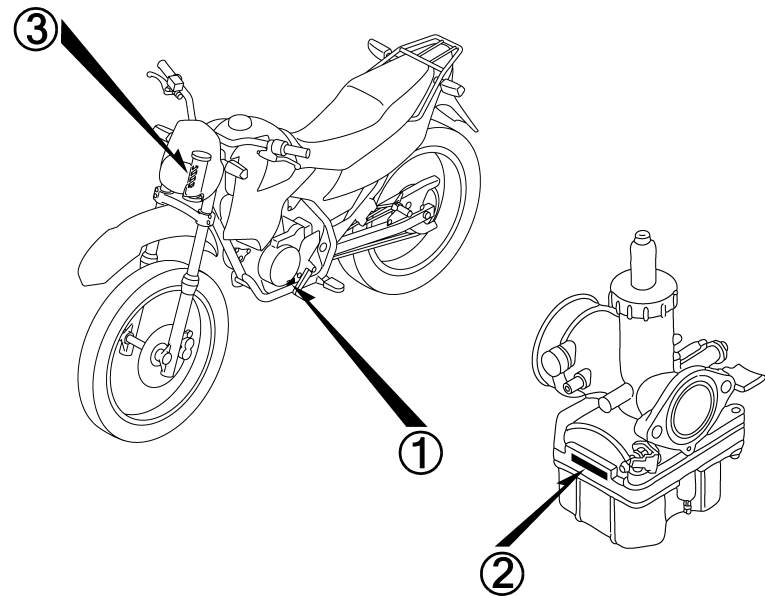
The following abbreviations are used in this parts catalogue.

- A Ampere
- ABS Anti-lock brake system
- A.C. Alternating current
- A.M. Attaching mark
- ASSY. Assembly
- C.D.I. Capacitive discharge ignition
- COMP. ... Complete
- D.C. Direct current
- EX. Exhaust
- FR. Front
- G Gram
- HEX. Hexagonal
- IN. Inlet
- KPH Kilometers per hour
- L.Left
- L (100L) .Link (100 Links)
- L.E.D.Light emitted diode
- MMMillimeter
- MPHMiles per hour
- R.Right
- RR.Rear
- STD.Standard
- T (22T) ...Tooth (22 Teeth)
- TCSTraction control system
- T.M.Transcript mark
- VVolt
- WWatt
- WLWith labelling
- WOLWithout labelling

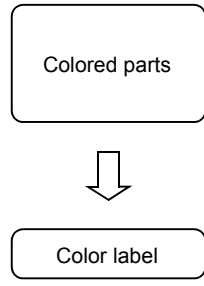
Part block and serial number check



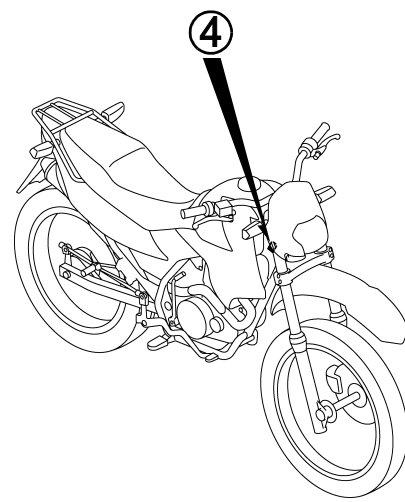
Check point ① ② ③



Color label attachment position check



④



Models, parts catalogue codes and applicable serial numbers

Models, parts catalogue codes and applicable serial Nos. given in this parts catalogue can be identified as follows.

Parts with parts catalogue codes are exclusive for models destined for countries designated.

If no area codes are listed, parts are for common use.

Model	Area code	Type	Applicable engine serial No.	Applicable frame serial No.	Applicable carburetor identification No.
XR125LEKc	1LA	Latin America	JD21E-7000001~	LTM JD219C5000001~	PDN2H A
	3LA	Latin America			PDN2J A
	CO	Colombia			PDN2K A
	DK	General export (KPH)	JD21E-7000001~	LTM JD219C5000001~	PDN2H A
	NZ	New Zealand		LTM JD21UC5000001~	
XR125LKc	3LA	Latin America	JD21E-7000001~	LTM JD219C5000001~	PDN2J A
	DK	General export (KPH)			PDN2H A
XL125LKc	2DK	General export (KPH)	JD21E-7000001~	LTM JD219C5000001~	PDN2G A

* Of carburetor/throttle body identification numbers, only the portions underlined in the example below are used for registration.

PDN2H A KC ㄗ

Color label

- When ordering parts, check the model name, main color, and code by observing the “COLOR LABEL” on the vehicle.
- When ordering a colored part, use the color chart in the instruction for use of parts catalogue.

1

<p>VFR800FIW</p> <p>COLOR R-157</p> <p>CODE R157</p>	MODEL		VFR800FIW					
	No.	COLOR	Sparkling silver metallic	Mute black metallic	Applicable model		Applicable block No.	Re
		CODE	NH-295M	NH-359M	Initial applicable model	Final applicable model		
Name of colored parts	Basic part No.	NH295	NH359					
1								
2								
3								
4								
5								
6								
7								
8								
9								
10								

Color chart

- When ordering a colored part, refer to the chart below and use a part number consisting of the relevant basic part number to which has been added a part color code.

XR125LEK (XR125LEKC).....1LA,3LA,CO

No.	MODEL		XR125LEKC						
	COLOR		Fighting red	Black	Ross white	Applicable model		Applicable block No.	Ref. No.
	CODE		R-134	NH-1	NH-196	Initial applicable model	Final applicable model		
	Name of colored parts	Basic part No.	R134	NH1	NH196				
1	BODY COMP., FRAME	50100-KRH-A00	ZA	ZA	ZA			F-39	1
2	CARRIER COMP., RR.	81200-KRH-780	ZA	ZA	ZA			F-34	5
3	COVER SET, R. SIDE	83510-KRH-900	ZC	ZA	ZB			F-24	3
4	COVER, L. FR. SIDE	83601-KRH-900	ZA	ZA	ZA			F-24	6
5	COVER, L. SIDE	83600-KRH-900	ZC	ZA	ZB			F-24	5
6	COVER, R. FR. SIDE	83501-KRH-900	ZA	ZA	ZA			F-24	1
7	COWL SET, RR.	80100-KRH-900	ZC	ZA	ZB			F-34	4
8	FENDER, FR.	61100-KRH-900	ZC	ZA	ZB			F-10	2
9	HUB SUB ASSY., RR.	42635-KRH-780	ZA	ZA	ZA			F-19-10	7
10	LABEL, DRIVE CAUTION	87560-KYY-600	ZB	ZB	ZB			F-49	6
11	MARK, FR.	61315-KRH-900	ZA	ZB	ZC			F-50	2
12	MARK, RR.	61310-KRH-900	ZA	ZB	ZC			F-50	1
13	PANEL COMP., RR. BRAKE	43100-KRH-900	ZA	ZA	ZA			F-18	2
14	PIPE, STEERING HANDLE	53100-KRH-900	ZA	ZA	ZA			F-7	7
15	PROTECTOR, EX. PIPE	18345-KRH-900	ZA	ZA	ZA			F-27	9

XR125LEK (XR125LEKc).....1LA,3LA,CO

No.	MODEL		XR125LEKC						Applicable block No.	Ref. No.
	COLOR		Fighting red	Black	Ross white	Applicable model				
	CODE		R-134	NH-1	NH-196	Initial applicable model	Final applicable model			
	Name of colored parts	Basic part No.	R134	NH1	NH196					
16	SEAT COMP., DOUBLE	77200-KRH-780	ZB	ZB	ZB			F-23	2	
17	SHROUD SET, L.	19200-KRH-900	ZC	ZA	ZB			F-21	12	
18	SHROUD SET, R.	19100-KRH-900	ZC	ZA	ZB			F-21	11	
19	STRIPE A, L. SHROUD	87127-KRH-900	ZA	ZB	ZC			F-50	5	
20	STRIPE A, R. SHROUD	87126-KRH-900	ZA	ZB	ZC			F-50	4	
21	STRIPE B, L. SHROUD	87129-KRH-900	ZA	ZB	ZC			F-50	7	
22	STRIPE B, R. SHROUD	87128-KRH-900	ZA	ZB	ZC			F-50	6	
23	SWINGARM SUB ASSY., RR.	52200-KRH-780	ZA	ZA	ZA			F-32	14	
24	TANK COMP., FUEL	17510-KRH-900	ZA	ZA	ZA			F-21	2	
25	VISOR SET, FR.	61300-KRH-900	ZC	ZA	ZB			F-1	6	
26	WHEEL SUB ASSY., RR.	42650-KRH-A00	ZA	ZA	ZA			F-19-10	8	



XR125LEK (XR125LEKc).....DK

1

No.	MODEL		XR125LEKc						
	COLOR		Fighting red	Black	Ross white	Applicable model		Applicable block No.	Ref. No.
	CODE		R-134	NH-1	NH-196	Initial applicable model	Final applicable model		
	Name of colored parts	Basic part No.	R134	NH1	NH196				
1	BODY COMP., FRAME	50100-KRH-A00	ZA	ZA	ZA			F-39	1
2	CARRIER COMP., RR.	81200-KRH-780	ZA	ZA	ZA			F-34	5
3	COVER SET, R. SIDE	83510-KRH-900	ZC	ZA	ZB			F-24	3
4	COVER, L. FR. SIDE	83601-KRH-900	ZA	ZA	ZA			F-24	6
5	COVER, L. SIDE	83600-KRH-900	ZC	ZA	ZB			F-24	5
6	COVER, R. FR. SIDE	83501-KRH-900	ZA	ZA	ZA			F-24	1
7	COWL SET, RR.	80100-KRH-900	ZC	ZA	ZB			F-34	4
8	FENDER, FR.	61100-KRH-900	ZC	ZA	ZB			F-10	2
9	HUB SUB ASSY., RR.	42635-KRH-780	ZA	ZA	ZA			F-19-10	7
10	LABEL, DRIVE CAUTION	87560-KYY-600	ZB	ZB	ZB			F-49	6
11	LABEL, RR. CARRIER	81220-KV8-860	ZA	ZA	ZA			F-49	1
12	MARK, FR.	61315-KRH-900	ZA	ZB	ZC			F-50	2
13	MARK, RR.	61310-KRH-900	ZA	ZB	ZC			F-50	1
14	PANEL COMP., RR. BRAKE	43100-KRH-900	ZA	ZA	ZA			F-18	2
15	PIPE, STEERING HANDLE	53100-KRH-900	ZA	ZA	ZA			F-7	7

XR125LEK (XR125LEKc).....DK

No.	MODEL		XR125LEKc						
	COLOR		Fighting red	Black	Ross white	Applicable model		Applicable block No.	Ref. No.
	CODE		R-134	NH-1	NH-196	Initial applicable model	Final applicable model		
	Name of colored parts	Basic part No.	R134	NH1	NH196				
16	PROTECTOR, EX. PIPE	18345-KRH-900	ZA	ZA	ZA			F-27	9
17	SEAT COMP., DOUBLE	77200-KRH-780	ZB	ZB	ZB			F-23	2
18	SHROUD SET, L.	19200-KRH-900	ZC	ZA	ZB			F-21	12
19	SHROUD SET, R.	19100-KRH-900	ZC	ZA	ZB			F-21	11
20	STRIPE A, L. SHROUD	87127-KRH-900	ZA	ZB	ZC			F-50	5
21	STRIPE A, R. SHROUD	87126-KRH-900	ZA	ZB	ZC			F-50	4
22	STRIPE B, L. SHROUD	87129-KRH-900	ZA	ZB	ZC			F-50	7
23	STRIPE B, R. SHROUD	87128-KRH-900	ZA	ZB	ZC			F-50	6
24	SWINGARM SUB ASSY., RR.	52200-KRH-780	ZA	ZA	ZA			F-32	14
25	TANK COMP., FUEL	17510-KRH-900	ZA	ZA	ZA			F-21	2
26	VISOR SET, FR.	61300-KRH-900	ZC	ZA	ZB			F-1	6
27	WHEEL SUB ASSY., RR.	42650-KRH-A00	ZA	ZA	ZA			F-19-10	8



XR125LEK (XR125LEKc).....NZ

No.	MODEL		XR125LEKc						Applicable block No.	Ref. No.
	COLOR		Fighting red	Black	Ross white	Applicable model				
	CODE		R-134	NH-1	NH-196	Initial applicable model	Final applicable model			
	Name of colored parts	Basic part No.	R134	NH1	NH196					
1	BODY COMP., FRAME	50100-KRH-A40	ZA	ZA	ZA			F-39	1	
2	CARRIER COMP., RR.	81200-KRH-780	ZA	ZA	ZA			F-34	5	
3	COVER SET, R. SIDE	83510-KRH-900	ZC	ZA	ZB			F-24	3	
4	COVER, L. FR. SIDE	83601-KRH-900	ZA	ZA	ZA			F-24	6	
5	COVER, L. SIDE	83600-KRH-900	ZC	ZA	ZB			F-24	5	
6	COVER, R. FR. SIDE	83501-KRH-900	ZA	ZA	ZA			F-24	1	
7	COWL SET, RR.	80100-KRH-900	ZC	ZA	ZB			F-34	4	
8	FENDER, FR.	61100-KRH-900	ZC	ZA	ZB			F-10	2	
9	HUB SUB ASSY., RR.	42635-KRH-780	ZA	ZA	ZA			F-19-10	7	
10	LABEL, DRIVE CAUTION	87560-KYY-600	ZB	ZB	ZB			F-49	6	
11	LABEL, RR. CARRIER	81220-KV8-860	ZA	ZA	ZA			F-49	1	
12	MARK, FR.	61315-KRH-900	ZA	ZB	ZC			F-50	2	
13	MARK, RR.	61310-KRH-900	ZA	ZB	ZC			F-50	1	
14	PANEL COMP., RR. BRAKE	43100-KRH-900	ZA	ZA	ZA			F-18	2	
15	PIPE, STEERING HANDLE	53100-KRH-900	ZA	ZA	ZA			F-7	7	

XR125LEK (XR125LEKc).....NZ

No.	MODEL		XR125LEKc						Applicable block No.	Ref. No.
	COLOR		Fighting red	Black	Ross white	Applicable model				
	CODE		R-134	NH-1	NH-196	Initial applicable model	Final applicable model			
	Name of colored parts	Basic part No.	R134	NH1	NH196	Initial applicable model	Final applicable model			
16	PROTECTOR, EX. PIPE	18345-KRH-900	ZA	ZA	ZA			F-27	9	
17	SEAT COMP., DOUBLE	77200-KRH-780	ZB	ZB	ZB			F-23	2	
18	SHROUD SET, L.	19200-KRH-900	ZC	ZA	ZB			F-21	12	
19	SHROUD SET, R.	19100-KRH-900	ZC	ZA	ZB			F-21	11	
20	STRIPE A, L. SHROUD	87127-KRH-900	ZA	ZB	ZC			F-50	5	
21	STRIPE A, R. SHROUD	87126-KRH-900	ZA	ZB	ZC			F-50	4	
22	STRIPE B, L. SHROUD	87129-KRH-900	ZA	ZB	ZC			F-50	7	
23	STRIPE B, R. SHROUD	87128-KRH-900	ZA	ZB	ZC			F-50	6	
24	SWINGARM SUB ASSY., RR.	52200-KRH-780	ZA	ZA	ZA			F-32	14	
25	TANK COMP., FUEL	17510-KRH-900	ZA	ZA	ZA			F-21	2	
26	VISOR SET, FR.	61300-KRH-900	ZC	ZA	ZB			F-1	6	
27	WHEEL SUB ASSY., RR.	42650-KRH-A00	ZA	ZA	ZA			F-19-10	8	



XR125LK (XR125LKC).....3LA

No.	MODEL		XR125LKC						
	COLOR		Fighting red	Black	Ross white	Applicable model		Applicable block No.	Ref. No.
	CODE		R-134	NH-1	NH-196	Initial applicable model	Final applicable model		
	Name of colored parts	Basic part No.	R134	NH1	NH196				
1	BODY COMP., FRAME	50100-KRH-A00	ZA	ZA	ZA			F-39	1
2	CARRIER COMP., RR.	81200-KRH-780	ZA	ZA	ZA			F-34	5
3	COVER SET, R. SIDE	83510-KRH-900	ZC	ZA	ZB			F-24	3
4	COVER, L. FR. SIDE	83601-KRH-900	ZA	ZA	ZA			F-24	6
5	COVER, L. SIDE	83600-KRH-900	ZC	ZA	ZB			F-24	5
6	COVER, R. FR. SIDE	83501-KRH-900	ZA	ZA	ZA			F-24	1
7	COWL SET, RR.	80100-KRH-900	ZC	ZA	ZB			F-34	4
8	FENDER, FR.	61100-KRH-900	ZC	ZA	ZB			F-10	2
9	HUB SUB ASSY., RR.	42635-KRH-780	ZA	ZA	ZA			F-19-10	7
10	LABEL, DRIVE CAUTION	87560-KYY-600	ZB	ZB	ZB			F-49	6
11	MARK, FR.	61315-KRH-900	ZA	ZB	ZC			F-50	2
12	MARK, RR.	61310-KRH-900	ZA	ZB	ZC			F-50	1
13	PANEL COMP., RR. BRAKE	43100-KRH-900	ZA	ZA	ZA			F-18	2
14	PIPE, STEERING HANDLE	53100-KRH-900	ZA	ZA	ZA			F-7	7
15	PROTECTOR, EX. PIPE	18345-KRH-900	ZA	ZA	ZA			F-27	9

XR125LK (XR125LKC).....3LA

No.	MODEL		XR125LKC						
	COLOR		Fighting red	Black	Ross white	Applicable model		Applicable block No.	Ref. No.
	CODE		R-134	NH-1	NH-196	Initial applicable model	Final applicable model		
	Name of colored parts	Basic part No.	R134	NH1	NH196				
16	SEAT COMP., DOUBLE	77200-KRH-780	ZB	ZB	ZB			F-23	2
17	SHROUD SET, L.	19200-KRH-900	ZC	ZA	ZB			F-21	12
18	SHROUD SET, R.	19100-KRH-900	ZC	ZA	ZB			F-21	11
19	STRIPE A, L. SHROUD	87127-KRH-900	ZA	ZB	ZC			F-50	5
20	STRIPE A, R. SHROUD	87126-KRH-900	ZA	ZB	ZC			F-50	4
21	STRIPE B, L. SHROUD	87129-KRH-900	ZA	ZB	ZC			F-50	7
22	STRIPE B, R. SHROUD	87128-KRH-900	ZA	ZB	ZC			F-50	6
23	SWINGARM SUB ASSY., RR.	52200-KRH-780	ZA	ZA	ZA			F-32	14
24	TANK COMP., FUEL	17510-KRH-900	ZA	ZA	ZA			F-21	2
25	VISOR SET, FR.	61300-KRH-900	ZC	ZA	ZB			F-1	6
26	WHEEL SUB ASSY., RR.	42650-KRH-A00	ZA	ZA	ZA			F-19-10	8



XR125LK (XR125LKC).....DK

No.	MODEL		XR125LKC						
	COLOR		Fighting red	Black	Ross white	Applicable model		Applicable block No.	Ref. No.
	CODE		R-134	NH-1	NH-196	Initial applicable model	Final applicable model		
	Name of colored parts	Basic part No.	R134	NH1	NH196				
1	BODY COMP., FRAME	50100-KRH-A00	ZA	ZA	ZA			F-39	1
2	CARRIER COMP., RR.	81200-KRH-780	ZA	ZA	ZA			F-34	5
3	COVER SET, R. SIDE	83510-KRH-900	ZC	ZA	ZB			F-24	3
4	COVER, L. FR. SIDE	83601-KRH-900	ZA	ZA	ZA			F-24	6
5	COVER, L. SIDE	83600-KRH-900	ZC	ZA	ZB			F-24	5
6	COVER, R. FR. SIDE	83501-KRH-900	ZA	ZA	ZA			F-24	1
7	COWL SET, RR.	80100-KRH-900	ZC	ZA	ZB			F-34	4
8	FENDER, FR.	61100-KRH-900	ZC	ZA	ZB			F-10	2
9	HUB SUB ASSY., RR.	42635-KRH-780	ZA	ZA	ZA			F-19-10	7
10	LABEL, DRIVE CAUTION	87560-KYY-600	ZB	ZB	ZB			F-49	6
11	LABEL, RR. CARRIER	81220-KV8-860	ZA	ZA	ZA			F-49	1
12	MARK, FR.	61315-KRH-900	ZA	ZB	ZC			F-50	2
13	MARK, RR.	61310-KRH-900	ZA	ZB	ZC			F-50	1
14	PANEL COMP., RR. BRAKE	43100-KRH-900	ZA	ZA	ZA			F-18	2
15	PIPE, STEERING HANDLE	53100-KRH-900	ZA	ZA	ZA			F-7	7

XR125LK (XR125LKC).....DK

No.	MODEL		XR125LKC						
	COLOR		Fighting red	Black	Ross white	Applicable model		Applicable block No.	Ref. No.
	CODE		R-134	NH-1	NH-196	Initial applicable model	Final applicable model		
	Name of colored parts	Basic part No.	R134	NH1	NH196				
16	PROTECTOR, EX. PIPE	18345-KRH-900	ZA	ZA	ZA			F-27	9
17	SEAT COMP., DOUBLE	77200-KRH-780	ZB	ZB	ZB			F-23	2
18	SHROUD SET, L.	19200-KRH-900	ZC	ZA	ZB			F-21	12
19	SHROUD SET, R.	19100-KRH-900	ZC	ZA	ZB			F-21	11
20	STRIPE A, L. SHROUD	87127-KRH-900	ZA	ZB	ZC			F-50	5
21	STRIPE A, R. SHROUD	87126-KRH-900	ZA	ZB	ZC			F-50	4
22	STRIPE B, L. SHROUD	87129-KRH-900	ZA	ZB	ZC			F-50	7
23	STRIPE B, R. SHROUD	87128-KRH-900	ZA	ZB	ZC			F-50	6
24	SWINGARM SUB ASSY., RR.	52200-KRH-780	ZA	ZA	ZA			F-32	14
25	TANK COMP., FUEL	17510-KRH-900	ZA	ZA	ZA			F-21	2
26	VISOR SET, FR.	61300-KRH-900	ZC	ZA	ZB			F-1	6
27	WHEEL SUB ASSY., RR.	42650-KRH-A00	ZA	ZA	ZA			F-19-10	8



XL125LK (XL125LKC)

No.	MODEL		XL125LKC					Applicable block No.	Ref. No.
	COLOR		Fighting red	Ross white	Applicable model				
	CODE		R-134	NH-196	Initial applicable model	Final applicable model			
	Name of colored parts	Basic part No.	R134	NH196					
1	BODY COMP., FRAME	50100-KRH-780	ZA	ZA			F-39	1	
2	CARRIER COMP., RR.	81200-KRH-780	ZA	ZA			F-34-1	4	
3	COVER SET, R. SIDE	83510-KRH-900	ZC	ZB			F-24	3	
4	COVER, L. FR. SIDE	83601-KRH-900	ZA	ZA			F-24	6	
5	COVER, L. SIDE	83600-KRH-900	ZC	ZB			F-24	5	
6	COVER, R. FR. SIDE	83501-KRH-900	ZA	ZA			F-24	1	
7	COWL SET, RR.	80100-KRH-900	ZC	ZB			F-34-1	3	
8	FENDER, FR.	61100-KRH-780	ZA	ZB			F-10	1	
9	HUB SUB ASSY., FR.	44635-KRH-780	ZA	ZA			F-14-10	6	
10	HUB SUB ASSY., RR.	42635-KRH-780	ZA	ZA			F-19-10	7	
11	MARK	86191-KRH-780	ZB	ZA			F-50	3	
12	MARK, FR.	61315-KRH-900	ZA	ZC			F-50	2	
13	MARK, RR.	61310-KRH-900	ZA	ZC			F-50	1	
14	PANEL COMP., RR. BRAKE	43100-KRH-900	ZA	ZA			F-18	2	
15	PANEL SUB COMP., FR. BRAKE	45010-KRH-780	ZA	ZA			F-13	7	

XL125LK (XL125LKC)

No.	MODEL		XL125LKC					
	COLOR		Fighting red	Ross white	Applicable model		Applicable block No.	Ref. No.
	CODE		R-134	NH-196	Initial applicable model	Final applicable model		
	Name of colored parts	Basic part No.	R134	NH196				
16	PIPE, STEERING HANDLE	53100-KRH-780	ZA	ZA			F-7-1	7
17	PROTECTOR, EX. PIPE	18345-KRH-900	ZA	ZA			F-27	9
18	SEAT COMP., DOUBLE	77200-KRH-780	ZB	ZB			F-23	2
19	SHROUD SET, L.	19200-KRH-780	ZB	ZA			F-21	12
20	SHROUD SET, R.	19100-KRH-780	ZB	ZA			F-21	11
21	SWINGARM SUB ASSY., RR.	52200-KRH-780	ZA	ZA			F-32	14
22	TANK COMP., FUEL	17510-KRH-900	ZA	ZA			F-21	2
23	VISOR SET, FR.	61300-KRH-900	ZC	ZB			F-1	6
24	WHEEL SUB ASSY., FR.	44650-KRH-780	ZA	ZA			F-14-10	7
25	WHEEL SUB ASSY., RR.	42650-KRH-780	ZA	ZA			F-19-10	8

Fuel hose, general purpose hoses and vinyl hose

- The standard part fuel hose, general purpose hose and vinyl hose may be substituted by the coiled bulk part.
- When ordering the standard part fuel hose, general purpose hose and vinyl hose use the bulk part number written in the parts catalogue in brackets () underneath the part name, or use the catalogue below.
(The bulk part standard length is 1 m, however, those displayed in the catalogue < > are available in 3 m and 8 m lengths.)
- When exchanging the hose, cut and use at the specified length as mentioned in the part name.
(For the method of cutting the bulk part, and method of filling out orders etc., please refer to the service manual and the instructions issued with the bulk part.)
- The list below is a catalogue of the standard part numbers and bulk part numbers. Note that those numbers are applicable to the listed replacement parts only.

Fuel hoses/Tubes			
Standard part No.	Bulk part No.	Bulk part	
		Inner diameter (mm)	Length (m)
95001-30xxx-2x	95001-30001-20M	3.0	1
95001-30xxx-3x	95001-30001-30M	3.0	1
95001-30xxx-4x	95001-30001-40M	3.0	1
95001-35xxx-2x	95001-35001-50M <95001-35003-50M>	3.5	1 3
95001-35xxx-3x	95001-35001-60M <95001-35003-60M>	3.5	1 3
95001-35xxx-4x	95001-35001-60M <95001-35003-60M>	3.5	1 3
95001-35xxx-5x	95001-35001-50M <95001-35003-50M>	3.5	1 3
95001-35xxx-6x	95001-35001-60M <95001-35003-60M>	3.5	1 3
95001-45xxx-2x	95001-45001-50M <95001-45003-50M>	4.5	1 3
95001-45xxx-3x	95001-45001-60M <95001-45003-60M> <95001-45008-60M>	4.5	1 3 8
95001-45xxx-4x	95001-45001-60M <95001-45003-60M> <95001-45008-60M>	4.5	1 3 8
95001-45xxx-5x	95001-45001-50M <95001-45003-50M>	4.5	1 3
95001-45xxx-6x	95001-45001-60M <95001-45003-60M> <95001-45008-60M>	4.5	1 3 8
95001-55xxx-2x	95001-55001-50M <95001-55003-50M> <95001-55008-50M>	5.5	1 3 8

Fuel hoses/Tubes			
Standard part No.	Bulk part No.	Bulk part	
		Inner diameter (mm)	Length (m)
95001-55xxx-3x	95001-55001-60M <95001-55003-60M> <95001-55008-60M>	5.5	1 3 8
95001-55xxx-4x	95001-55001-60M <95001-55003-60M> <95001-55008-60M>	5.5	1 3 8
95001-55xxx-5x	95001-55001-50M <95001-55003-50M> <95001-55008-50M>	5.5	1 3 8
95001-55xxx-6x	95001-55001-60M <95001-55003-60M> <95001-55008-60M>	5.5	1 3 8
95001-75xxx-2x	95001-75001-50M <95001-75003-50M>	7.5	1 3
95001-75xxx-3x	95001-75001-60M <95001-75003-60M> <95001-75008-60M>	7.5	1 3 8
95001-75xxx-4x	95001-75001-60M <95001-75003-60M> <95001-75008-60M>	7.5	1 3 8
95001-75xxx-5x	95001-75001-50M <95001-75003-50M>	7.5	1 3
95001-75xxx-6x	95001-75001-60M <95001-75003-60M> <95001-75008-60M>	7.5	1 3 8
95001-80xxx-2x	95001-80001-50M	8.0	1
95001-80xxx-3x	95001-80001-60M	8.0	1
95001-80xxx-4x	95001-80001-60M	8.0	1
95001-80xxx-5x	95001-80001-50M	8.0	1
95001-80xxx-6x	95001-80001-60M	8.0	1

Vinyl tube				
Standard part No.	Bulk part No.	Bulk part		
		Inner dia- meter (mm)	Outer dia-meter (mm)	Length (m)
95003-01xxx-3x	95003-01001-60M <95003-01003-60M>	2.9	6.8	1 3
95003-01xxx-60	95003-01001-60M <95003-01003-60M>	2.9	6.8	1 3
95003-03xxx-3x	95003-03001-60M <95003-03003-60M>	3.0	6.0	1 3
95003-03xxx-60	95003-03001-60M <95003-03003-60M>	3.0	6.0	1 3
95003-05xxx-3x	95003-05001-60M <95003-05003-60M> <95003-05008-60M>	3.5	6.5	1 3 8
95003-05xxx-60	95003-05001-60M <95003-05003-60M> <95003-05008-60M>	3.5	6.5	1 3 8
95003-07xxx-1x	95003-07001-10M <95003-07003-10M> <95003-07008-10M>	4.0	7.0	1 3 8
95003-07xxx-20	95003-07001-10M <95003-07003-10M> <95003-07008-10M>	4.0	7.0	1 3 8
95003-07xxx-3x	95003-07001-60M <95003-07003-60M> <95003-07008-60M>	4.0	7.0	1 3 8
95003-07xxx-60	95003-07001-60M <95003-07003-60M> <95003-07008-60M>	4.0	7.0	1 3 8
95003-07xxx-7x	95003-07001-70M <95003-07003-70M> <95003-07008-70M>	4.0	7.0	1 3 8
95003-08xxx-1x	95003-08001-10M <95003-08003-10M> <95003-08008-10M>	4.5	6.5	1 3 8
95003-09xxx-3x	95003-09001-60M <95003-09003-60M>	4.5	8.0	1 3
95003-09xxx-60	95003-09001-60M <95003-09003-60M>	4.5	8.0	1 3
95003-10xxx-1x	95003-10001-10M <95003-10003-10M>	5.0	8.0	1 3
95003-10xxx-20	95003-10001-10M <95003-10003-10M>	5.0	8.0	1 3
95003-10xxx-3x	95003-10001-60M <95003-10003-60M>	5.0	8.0	1 3
95003-10xxx-60	95003-10001-60M <95003-10003-60M>	5.0	8.0	1 3
95003-11xxx-3x	95003-11001-60M <95003-11003-60M> <95003-11008-60M>	5.0	9.0	1 3 8
95003-11xxx-60	95003-11001-60M <95003-11003-60M> <95003-11008-60M>	5.0	9.0	1 3 8
95003-12xxx-1x	95003-12001-10M <95003-12003-10M> <95003-12008-10M>	5.0	7.0	1 3 8
95003-12xxx-20	95003-12001-10M <95003-12003-10M> <95003-12008-10M>	5.0	7.0	1 3 8

Vinyl tube				
Standard part No.	Bulk part No.	Bulk part		
		Inner dia- meter (mm)	Outer dia-meter (mm)	Length (m)
95003-14xxx-1x	95003-14001-10M <95003-14003-10M>	6.0	9.0	1 3
95003-14xxx-20	95003-14001-10M <95003-14003-10M>	6.0	9.0	1 3
95003-14xxx-3x	95003-14001-60M <95003-14003-60M>	6.0	9.0	1 3
95003-17xxx-1x	95003-17001-10M <95003-17003-10M>	7.0	9.0	1 3
95003-19xxx-1x	95003-19001-10M <95003-19003-10M> <95003-19008-10M>	7.0	11.0	1 3 8
95003-19xxx-20	95003-19001-10M <95003-19003-10M> <95003-19008-10M>	7.0	11.0	1 3 8
95003-19xxx-3x	95003-19001-60M <95003-19003-60M> <95003-19008-60M>	7.0	11.0	1 3 8
95003-19xxx-60	95003-19001-60M <95003-19003-60M> <95003-19008-60M>	7.0	11.0	1 3 8
95003-21xxx-1x	95003-21001-10M <95003-21003-10M>	8.0	9.0	1 3
95003-21xxx-20	95003-21001-10M <95003-21003-10M>	8.0	9.0	1 3
95003-23xxx-1x	95003-23001-10M <95003-23003-10M>	8.0	12.0	1 3
95003-23xxx-20	95003-23001-10M <95003-23003-10M>	8.0	12.0	1 3
95003-23xxx-3x	95003-23001-60M <95003-23003-60M> <95003-23008-60M>	8.0	12.0	1 3 8
95003-23xxx-60	95003-23001-60M <95003-23003-60M> <95003-23008-60M>	8.0	12.0	1 3 8
95003-25xxx-1x	95003-25001-10M <95003-25003-10M>	9.0	11.0	1 3
95003-25xxx-20	95003-25001-10M <95003-25003-10M>	9.0	11.0	1 3
95003-25xxx-3x	95003-25001-60M <95003-25003-60M>	9.0	11.0	1 3
95003-25xxx-7x	95003-25001-70M <95003-25003-70M>	9.0	11.0	1 3
95003-27xxx-1x	95003-27001-10M <95003-27003-10M>	9.0	13.0	1 3
95003-27xxx-20	95003-27001-10M <95003-27003-10M>	9.0	13.0	1 3
95003-27xxx-3x	95003-27001-60M <95003-27003-60M>	9.0	13.0	1 3
95003-27xxx-60	95003-27001-60M <95003-27003-60M>	9.0	13.0	1 3
95003-33xxx-1x	95003-33001-10M <95003-33003-10M>	10.0	14.0	1 3
95003-33xxx-20	95003-33001-10M <95003-33003-10M>	10.0	14.0	1 3

Vinyl tube				
Standard part No.	Bulk part No.	Bulk part		
		Inner dia- meter (mm)	Outer dia-meter (mm)	Length (m)
95003-36xxx-1x	95003-36001-10M <95003-36003-10M> <95003-36008-10M>	11.0	13.0	1 3 8
95003-36xxx-20	95003-36001-10M <95003-36003-10M> <95003-36008-10M>	11.0	13.0	1 3 8
95003-37xxx-3x	95003-37001-60M <95003-37003-60M>	11.0	15.0	1 3
95003-37xxx-60	95003-37001-60M <95003-37003-60M>	11.0	15.0	1 3
95003-38xxx-1x	95003-38001-10M <95003-38003-10M>	12.0	13.0	1 3
95003-38xxx-20	95003-38001-10M <95003-38003-10M>	12.0	13.0	1 3
95003-39xxx-1x	95003-39001-10M <95003-39003-10M>	12.0	14.0	1 3
95003-39xxx-20	95003-39001-10M <95003-39003-10M>	12.0	14.0	1 3
95003-40xxx-20	95003-40001-10M <95003-40003-10M>	12.0	16.0	1 3
95003-40xxx-3x	95003-40001-60M <95003-40003-60M>	12.0	16.0	1 3
95003-40xxx-60	95003-40001-60M <95003-40003-60M>	12.0	16.0	1 3
95003-43xxx-1x	95003-43001-10M <95003-43003-10M> <95003-43008-10M>	13.0	15.0	1 3 8
95003-43xxx-20	95003-43001-10M <95003-43003-10M> <95003-43008-10M>	13.0	15.0	1 3 8
95003-45xxx-1x	95003-45001-10M <95003-45003-10M> <95003-45008-10M>	14.0	18.0	1 3 8
95003-45xxx-20	95003-45001-10M <95003-45003-10M> <95003-45008-10M>	14.0	18.0	1 3 8
95003-50xxx-1x	95003-50001-10M <95003-50003-10M>	16.0	19.0	1 3
95003-50xxx-20	95003-50001-10M <95003-50003-10M>	16.0	19.0	1 3
95003-50xxx-3x	95003-50001-60M <95003-50003-60M>	16.0	19.0	1 3
95003-55xxx-1x	95003-55001-10M <95003-55003-10M>	17.5	20.5	1 3
95003-55xxx-20	95003-55001-10M <95003-55003-10M>	17.5	20.5	1 3
95003-60xxx-1x	95003-60001-10M <95003-60003-10M>	22.0	27.0	1 3
95003-60xxx-20	95003-60001-10M <95003-60003-10M>	22.0	27.0	1 3
95003-60xxx-3x	95003-60001-60M <95003-60003-60M>	22.0	27.0	1 3
95003-60xxx-60	95003-60001-60M <95003-60003-60M>	22.0	27.0	1 3

General purpose hoses			
Standard part No.	Bulk part No.	Bulk part	
		Inner diameter (mm)	Length (m)
95005-11xxx-3x	95005-11001-30M	11.0	1
95005-11xxx-5x	95005-11001-50M	11.0	1
95005-12xxx-1x	95005-12001-10M <95005-12003-10M>	12.0	1 3
95005-12xxx-2x	95005-12001-20M	12.0	1
95005-12xxx-3x	95005-12001-30M	12.0	1
95005-12xxx-5x	95005-12001-50M	12.0	1
95005-14xxx-1x	95005-14001-10M	14.0	1
95005-14xxx-2x	95005-14001-20M <95005-14003-20M>	14.0	1 3
95005-14xxx-3x	95005-14001-30M	14.0	1
95005-14xxx-5x	95005-14001-50M	14.0	1
95005-17xxx-1x	95005-17001-10M	17.0	1
95005-17xxx-2x	95005-17001-20M	17.0	1
95005-17xxx-3x	95005-17001-30M	17.0	1
95005-17xxx-5x	95005-17001-50M	17.0	1
95005-30xxx-3x	95005-30001-30M	3.0	1
95005-30xxx-5x	95005-30001-50M	3.0	1
95005-35xxx-1x	95005-35001-10M <95005-35003-10M> <95005-35008-10M>	3.5	1 3 8
95005-35xxx-2x	95005-35001-20M	3.5	1
95005-35xxx-3x	95005-35001-30M	3.5	1
95005-35xxx-4x	95005-35001-10M <95005-35003-10M> <95005-35008-10M>	3.5	1 3 8
95005-35xxx-5x	95005-35001-50M	3.5	1
95005-45xxx-1x	95005-45001-10M <95005-45003-10M> <95005-45008-10M>	4.5	1 3 8
95005-45xxx-2x	95005-45001-20M	4.5	1
95005-45xxx-3x	95005-45001-30M	4.5	1

General purpose hoses			
Standard part No.	Bulk part No.	Bulk part	
		Inner diameter (mm)	Length (m)
95005-45xxx-4x	95005-45001-10M <95005-45003-10M> <95005-45008-10M>	4.5	1 3 8
95005-45xxx-5x	95005-45001-50M	4.5	1
95005-50xxx-3x	95005-50001-30M <95005-50003-30M>	5.0	1 3
95005-50xxx-5x	95005-50001-50M	5.0	1
95005-55xxx-1x	95005-55001-10M <95005-55003-10M> <95005-55008-10M>	5.3	1 3 8
95005-55xxx-2x	95005-55001-20M <95005-55003-20M>	5.3	1 3
95005-55xxx-4x	95005-55001-10M <95005-55003-10M> <95005-55008-10M>	5.3	1 3 8
95005-65xxx-1x	95005-65001-10M <95005-65003-10M>	6.5	1 3
95005-65xxx-2x	95005-65001-20M	6.5	1
95005-70xxx-3x	95005-70001-30M <95005-70003-30M>	7.0	1 3
95005-70xxx-5x	95005-70001-50M	7.0	1
95005-75xxx-1x	95005-75001-10M <95005-75003-10M>	7.3	1 3
95005-75xxx-2x	95005-75001-20M	7.3	1
95005-80xxx-1x	95005-80001-10M <95005-80003-10M>	8.0	1 3
95005-80xxx-2x	95005-80001-20M	8.0	1
95005-80xxx-3x	95005-80001-30M	8.0	1
95005-80xxx-5x	95005-80001-50M	8.0	1
95005-91xxx-3x	95005-91001-30M	12.0	1
95005-91xxx-5x	95005-91001-50M	12.0	1
95005-92xxx-3x	95005-92001-30M	12.0	1
95005-92xxx-5x	95005-92001-50M	12.0	1

NOTE: X is displayed to represent the omitted numerals and letters of the roman alphabet.

⊙ **CAUTION: It is DANGEROUS to confuse the fuel hose with the general purpose hose or vinyl hose.**

Never use a general purpose hose or vinyl hose in place of a fuel hose or vice versa. Always use the correct bulk part in the parts catalogue, according to the service manual or the instructions issued with the bulk part.

• Bulk part number of fuel hose, general purpose hose and vinyl hose.

(Example)

9 5 0 0 1 - 7 5 0 0 1 - 5 0 M

Bulk part number: Refers to the bulk part.

Marking code (hose type): (fuel hose and general purpose hose)

Change code (for added hose): (Vinyl hose)

- Indicates number mark or change sequence, however, the code for the bulk part must be strictly 0 (zero).

Types of code:

- Fuel hose
 - 2: Red outside braid (3 mm inside dia. only)
 - 5: Black inside braid
 - 3: Red (3 mm inside dia. only)
 - 4: Ash gray with red stripe (3 mm inside dia. only)
 - 6: Black

- Vinyl hose
 - 1: Clear
 - 2: Black
 - 3: Light red
 - 6: Light red
 - 7: Pale black

- General hose
 - 1: Ash gray
 - 2: Ash gray
 - 3: Black
 - 5: Black

Lengths: 001: 1 m (standard)
003: 3 m
008: 8 m

I.D code: (fuel hose and general purpose hose)

- | | |
|--------------------|--------------------------------|
| 30: 3.0 mm | 11: 11 mm |
| 35: 3.5 mm | 91: 12 mm (outside dia. 15) mm |
| 45: 4.5 mm | 92: 12 mm (outside dia. 16) mm |
| 50: 5.0 mm | 12: 12 mm (outside dia. 17) mm |
| 55: 5.3 mm, 5.5 mm | 14: 14 mm |
| 65: 6.5 mm | 17: 17 mm |
| 70: 7.0 mm | |
| 75: 7.3 mm, 7.5 mm | |
| 80: 8.0 mm | |

ID./OD. code: (vinyl hose)

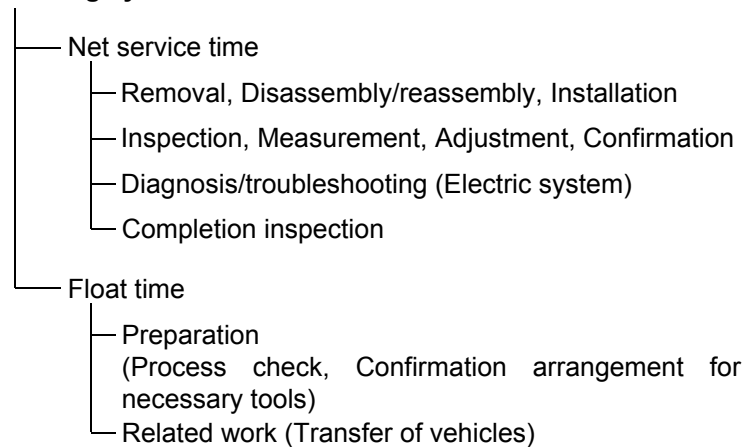
- | | | |
|-------------------------|---------------------------|---------------------------|
| 01: ID. 2.9, OD. 6.8 mm | 14: ID. 6.0, OD. 9.0 mm | 37: ID. 11.0, OD. 15.0 mm |
| 03: ID. 3.0, OD. 6.0 mm | 17: ID. 7.0, OD. 9.0 mm | 38: ID. 12.0, OD. 13.0 mm |
| 05: ID. 3.5, OD. 6.5 mm | 19: ID. 7.0, OD. 11.0 mm | 39: ID. 12.0, OD. 14.0 mm |
| 07: ID. 4.0, OD. 7.0 mm | 21: ID. 8.0, OD. 9.0 mm | 40: ID. 12.0, OD. 16.0 mm |
| 08: ID. 4.5, OD. 6.5 mm | 23: ID. 8.0, OD. 12.0 mm | 43: ID. 13.0, OD. 15.0 mm |
| 09: ID. 4.5, OD. 8.0 mm | 25: ID. 9.0, OD. 11.0 mm | 45: ID. 14.0, OD. 18.0 mm |
| 12: ID. 5.0, OD. 7.0 mm | 27: ID. 9.0, OD. 13.0 mm | 50: ID. 16.0, OD. 19.0 mm |
| 10: ID. 5.0, OD. 8.0 mm | 33: ID. 10.0, OD. 14.0 mm | 55: ID. 17.5, OD. 20.5 mm |
| 11: ID. 5.0, OD. 9.0 mm | 36: ID. 11.0, OD. 13.0 mm | 60: ID. 22.0, OD. 27.0 mm |

Hose type: 1: Fuel hose
3: Vinyl hose
5: General hose

FLAT RATE SERVICE TIME

Flat rate service time (FRT) means the standard time required to service a MC, which is listed in this manual to help the dealers control the actual working process and calculate the service charge by using it as a guide.

FRT setting system



* Float time is set by multiplying the net service time by a given coefficient.

Editorial style

The service items shown in the text are listed with the exchange work time for the repair sales parts as the subject. Other representative service items not using repair parts (removal/installation, adjustment, inspection/measuring, and other work) are listed collectively in the list in the preface, classified according to the work.

FRT setting standard

- Decimal system (in unit of 0.1) is adopted to set FRT as it is convenient to calculate the wage.
Example: (0.1) → 6 minutes, (0.2) → 12 minutes
[Labor cost per hour] x [FRT] = [Wage]
- FRT is set with a hand tool.
- Service items and FRT can be subject to change depending on development of tools and service equipment and improvement in service procedure.

Work procedure

- As the work procedure is set with the work time according to the method in the separate Service Manual, refer to this Manual as required.
- Work methods permitting servicing in the shortest time still permitting assurance of safe work and product warranty are used for the setting of service items not listed in the Service Manual.
- Work basically is to be performed by one person, and when two or more people are required, setting is done as the total time for the number of people.
- The set value for the technological level of the workers uses a person with three years of experience in the repair of Honda vehicles as the standard.
- Special tools and service equipment used to set FRT are those specified or recommended in Service Manual.

Service item whose FRT is not presented

- Accessories and service parts that are not listed to use in this manual.
 - Locations with little aging deterioration or breakage during normal use.
 - Service work that can be finished by one touch.
 - Service work that is seldom done (i.e. extremely small causes of trouble and service frequency).
- * When FRT is not presented, please calculate wages based on appropriate actual work time

Operation not included of FRT

- Oil and coolant water draining, Waiting time for warming up operation and etc..
- Additional operation that involves removal/installation of standard exterior equipment.
- Indirect time spent for service by visiting the customer, trade-in, and delivery of a MC.
- Indirect time required for ordering and delivery of parts.
- Cost for grease, adhesive agent, etc. used for service work.

**Explanation of FRT by using an example
(The example may differ from the actual presented items)**

Ref. No.	L.O.N.	Description	F.R.T.
(1)	111118	CAMSHAFT 4.5	(2)
(3)	111118A	Replace rocker arm add 1.0	(5)

- ① Reference No. of the illustration of part that shows location of the replacement work.
- ② FRT is an abbreviation of Flat Rate Time indicating the standard service time required for the replacement.
- ③ LON is an abbreviation of Labor Operation Number, and it is a classification of the service items by the work unit code.

The same operation code is used regardless of the models.

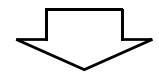
Standard operation is indicated with 6 digits code, and additional operation is indicated with 7 digits code.
- ④ Indicating the camshaft replacement and FRT4.5.
- ⑤ Indicating FRT1.0 that will be added when additional operation (replace rocker arm) is done in association with camshaft replacement.

- ⑥ Indicating work contents that are included in the service item.
- ⑦ Indicating a reference No. whose operation and time are the same as FRT4.5 for the camshaft.

(The application range is limited to the service items without an LON setting within a same block.)

**How to refer to the service item by using the sample
(camshaft replacement)**

Open to the page of the block where the camshaft's spare part illustration is shown.



Look for the camshaft illustration, and refer to the service item and FRT that agree with the reference No.

Indication mark for the listing of service items that continues to the following page

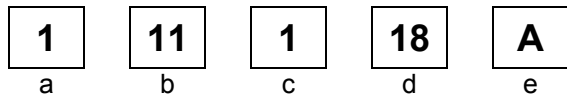
Ref. No.	L.O.N.	(Relative ref. Number) Description	F.R.T.
2	111118	CAMSHAFT	4.5
	.	.	.
	.	.	.

+
Mark indicated at the last line.

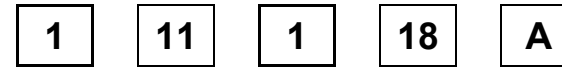
Indication of the block with no setting of FRT

Ref. No.	L.O.N.	(Relative ref. Number) Description	F.R.T.
NO INFORMATION			

• LON code system



- a) Category code..... Engine
- b) Location/function code Engine upper
- c) Operation code..... Replace
- d) Operation sequence number (Unit code can be shown with alphabet) camshaft (No regular rule of code)
- e) Additional code replace rocker arm (No regular rule of code)



a) Category codes and classification

Code	Category
1	Engine
2	Transmission
3	Fuel & Exhaust
4	Frame & Body
5	Steering/Suspension
6	Electrical
7	Wheels/Brakes
8	Controls/instrument
9	-
0	-

c) Operation codes and classification

Code	Operation category
1	Replace, Removal/Installation, Change
2	Overhaul
3	Adjust, Balance
4	(Paint-related work: Top-coat)
5	Test, Inspect/diagnose, Measurement, Check
6	(Overhaul-related work: Rebore)
7	(Overhaul-related work: Reseal)
8	(Resurface)
9	(Paint-related work: Refinish)
0	Repair, Cleaning, Air bleeding

Major service items without using spare parts

(1) Removal/Installation, (2) Adjustment,
(3) Inspection/Measurement, (4) Overhaul, (5) Other work

E: Engine, F: Frame

1

* OPERATIONS OTHER THAN REPLACING PARTS

(1) Removal and installation

Set for the configuration with the parts removed from the vehicle.

	LON	DESCRIPTION	FRT
E	1101E5	TILTING ENGINE ASSEMBLY-REMOVAL/INSTALLATION INCLUDES: All necessary adjustment	1.8
	1111K0	CYLINDER HEAD ASSEMBLY-REMOVAL/INSTALLATION	1.4
	3111D6	CARBURETOR ASSEMBLY-REMOVAL/INSTALLATION	0.5
	1101E6	CRANKCASE SEPARATION INCLUDES: Engine removal and installation	3.6

(2) Adjustment

	LON	DESCRIPTION	FRT
E	3113A0	CARBURETOR IDLE-ADJUSTMENT	0.1
	2123A0	CLUTCH-ADJUSTMENT	0.1
	6143A1	SPARK PLUG-ADJUSTMENT/CLEANING	0.1
	1113A0	VALVE CLEARANCE-ADJUSTMENT NOTE: For 1 vehicle	0.4
F	6163A0	HEADLIGHT-AIMING	0.1
	2133A0	DRIVE CHAIN-ADJUSTMENT	0.1
	7113A0	FRONT BRAKE-ADJUSTMENT EXCLUDES: Front brake shoe adjustment	0.1
	7113A1	REAR BRAKE-ADJUSTMENT EXCLUDES: Rear brake shoe adjustment	0.1
	3113A3	THROTTLE OPERATION-ADJUSTMENT	0.1

(3) Inspection, Measurement

	LON	DESCRIPTION	FRT
E	1115A0	COMPRESSION PRESSURE-MEASUREMENT	0.1
	3115A0	CARBURETOR FLOAT LEVEL-MEASUREMENT	0.5
	6145A0	IGNITION TIMING-INSPECTION	0.2
F	6105A0	BATTERY-CHECKING OF ELECTROLYTE LEVEL & CHARGE	0.2

(4) Overhaul

Work condition: The required Measurements, inspections, adjustments, and cleaning/washing of each part are performed, including the main body removal/installation work and the replacement of defective parts.

	LON	DESCRIPTION	FRT
E	311200	CARBURETOR-OVERHAUL INCLUDES: All necessary adjustment	0.7

(5) Other work

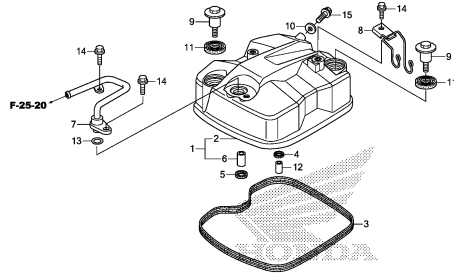
	LON	DESCRIPTION	FRT
E	1130A1	OIL FILTER SCREEN-CLEANING	0.6
F	7110A0	FRONT BRAKE-AIR BLEEDING	0.2

ENGINE GROUP

C13

E-1

CYLINDER HEAD COVER

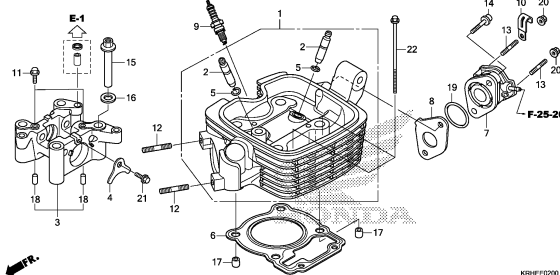


E 1

KRHEE0100

E-2

CYLINDER HEAD

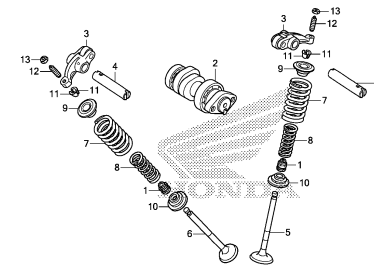


E 2

KRHEE0200

E-3

CAMSHAFT/VALVE

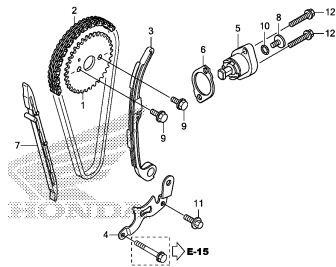


E 4

KRHEE0300

E-4

CAM CHAIN/TENSIONER

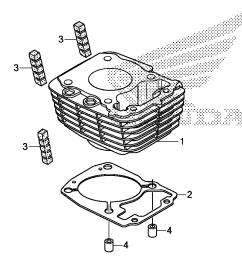


E 5

KRHEE0400

E-5

CYLINDER

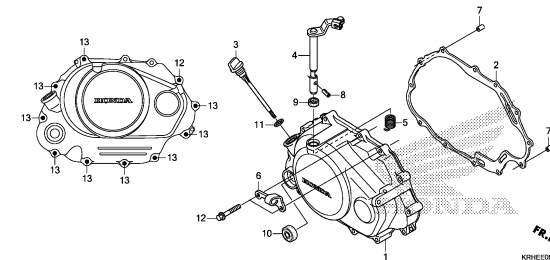


E 6

KRHEE0500

E-6

RIGHT CRANKCASE COVER

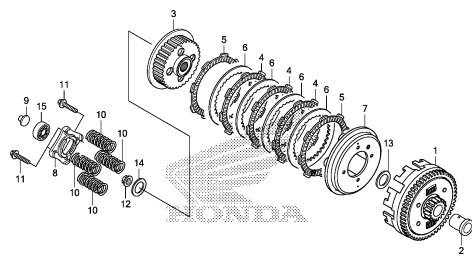


E 7

KRHEE0600

E-8

CLUTCH

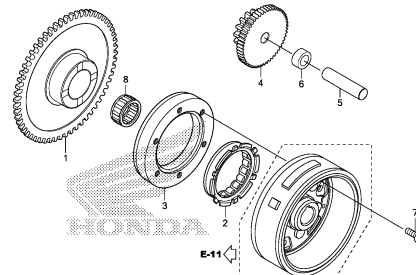


E 8

KRHEE0800

E-9

STARTING CLUTCH

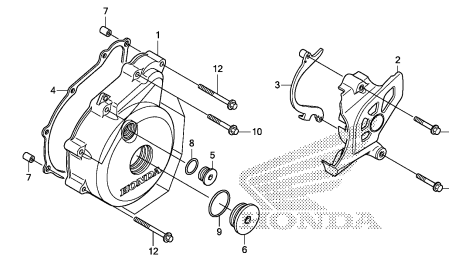


E 9

KRHEE0900

E-10

LEFT CRANKCASE COVER



E10

KRHEE1000

2

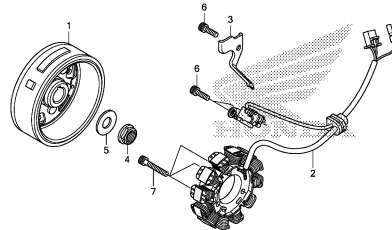
ENGINE GROUP

C14

E-11

GENERATOR

E11

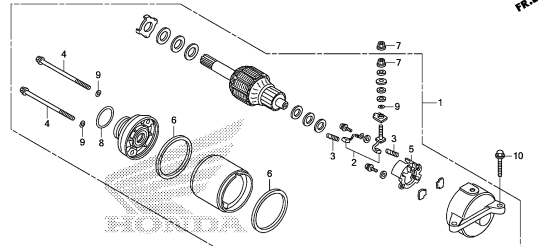


KRHEE1100

E-13

STARTER MOTOR

E12

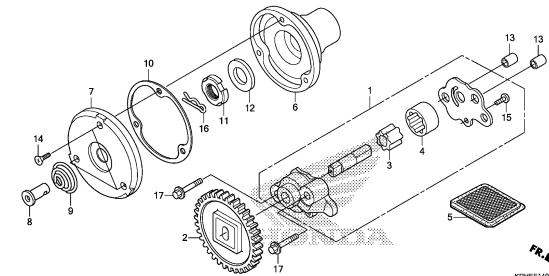


KRHEE1300

E-14

OIL PUMP

E13

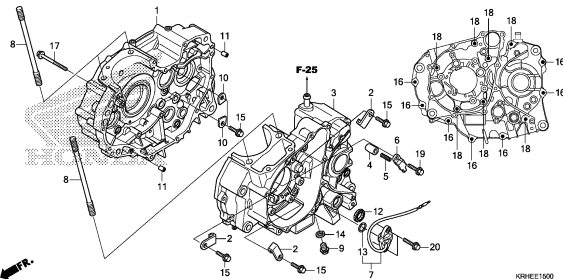


KRHEE1400

E-15

CRANKCASE

E14

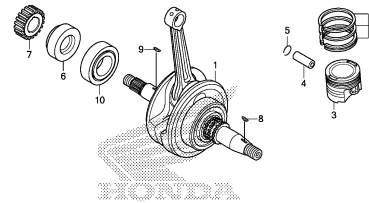


KRHEE1500

E-16

CRANKSHAFT/PISTON

E15

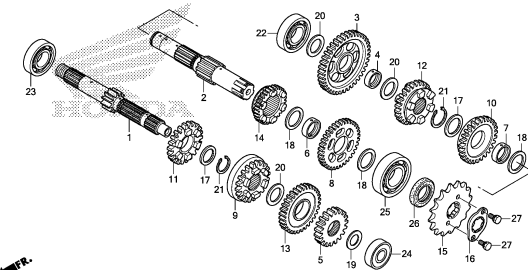


KRHEE1600

E-17

TRANSMISSION

E16

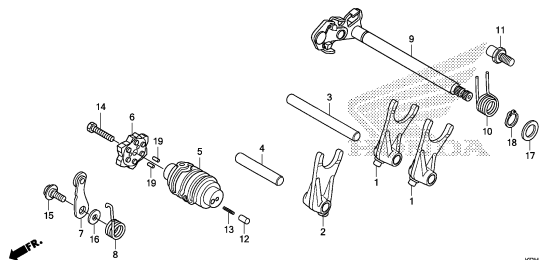


KRHEE1700

E-19

GEARSHIFT DRUM

F 2

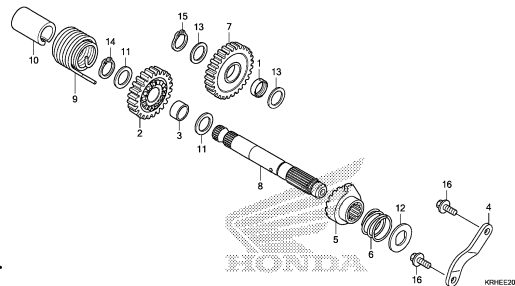


KRHEE1900

E-20

KICK STARTER SPINDLE

F 3

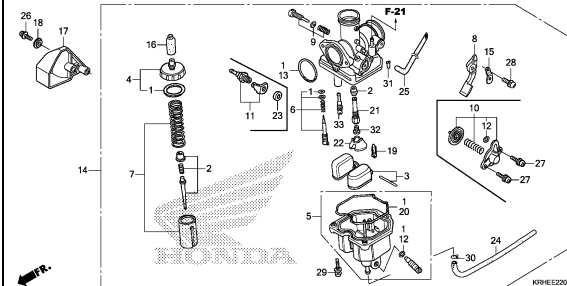


KRHEE2000

E-22

CARBURETOR

F 4



KRHEE2200

2

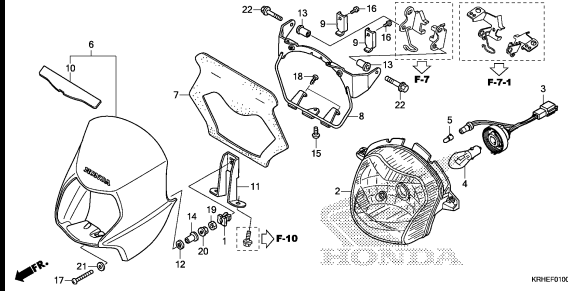
FRAME GROUP

C15

F-1

HEADLIGHT

G 1

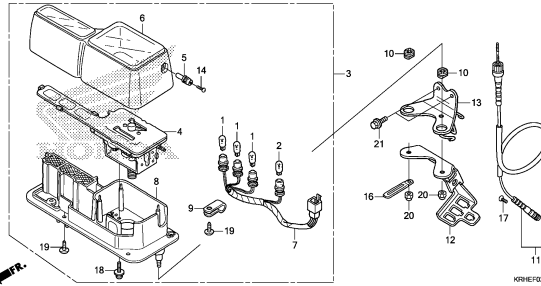


KRHEF0100

F-2

METER

G 2

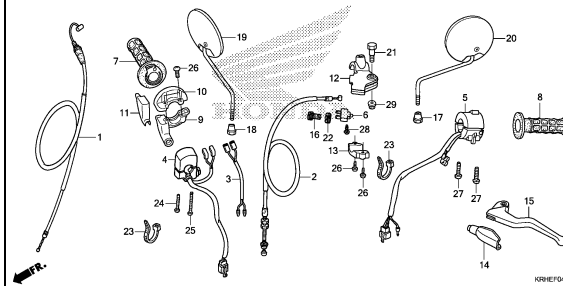


KRHEF0200

F-4

HANDLE LEVER/SWITCH/CABLE/MIRROR
(XR125LEK/LK)

G 3

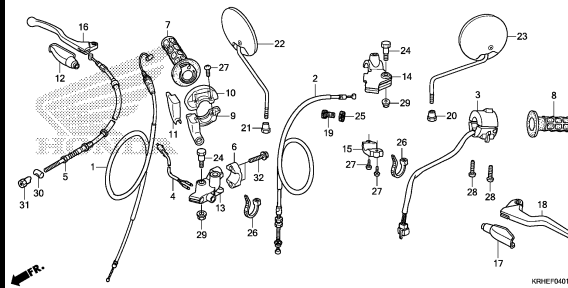


KRHEF0300

F-4-1

HANDLE LEVER/SWITCH/CABLE/MIRROR
(XL125LK)

G 5

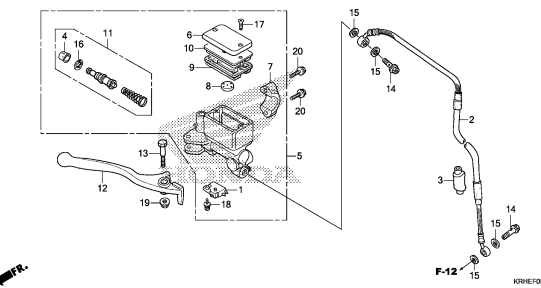


KRHEF0401A

F-5

FRONT BRAKE MASTER CYLINDER

G 7

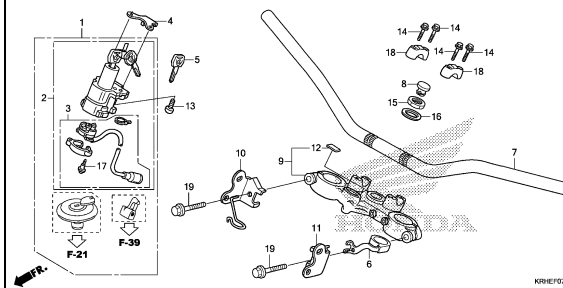


KRHEF0500

F-7

HANDLE PIPE/TOP BRIDGE
(XR125LEK/LK)

G 8

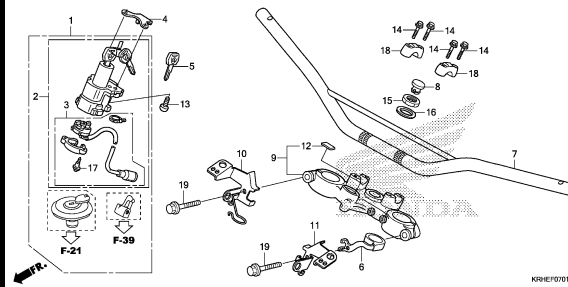


KRHEF0700

F-7-1

HANDLE PIPE/TOP BRIDGE(XL125LK)

G 9

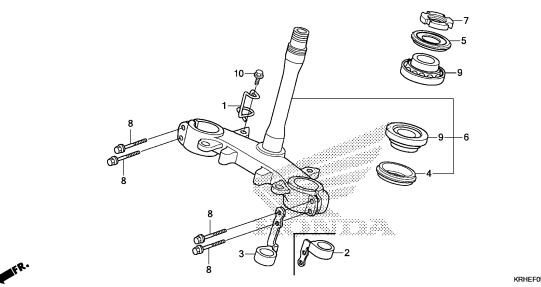


KRHEF0701

F-9

STEERING STEM

G10

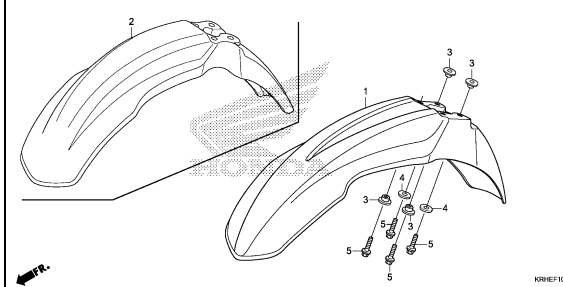


KRHEF0900

F-10

FRONT FENDER

G11



KRHEF1000

3

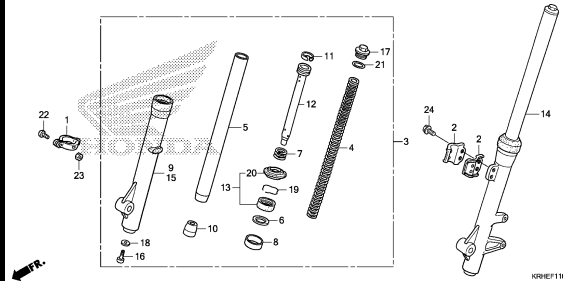
FRAME GROUP

C16

F-11

FRONT FORK(XR125LEK/LK)

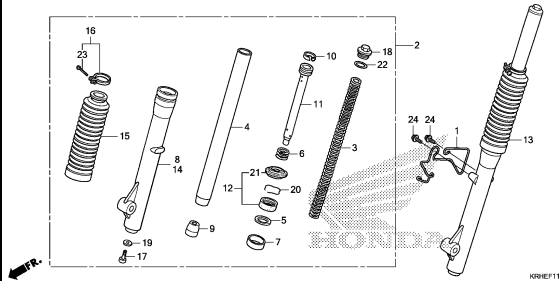
G12



F-11-1

FRONT FORK(XL125LK)

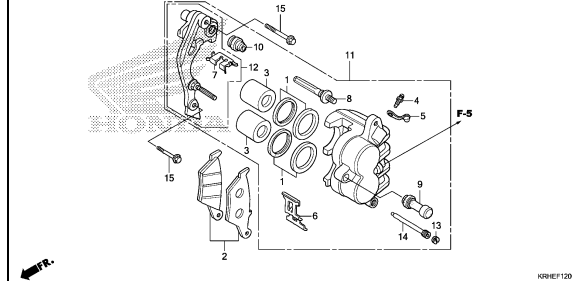
G13



F-12

FRONT BRAKE CALIPER

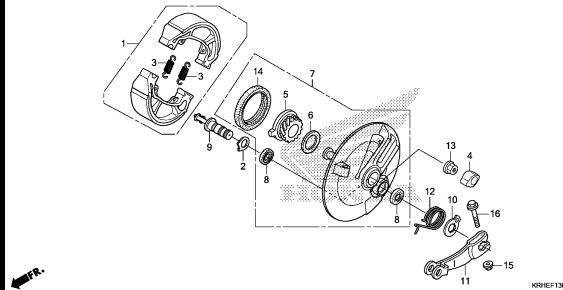
G14



F-13

FRONT BRAKE PANEL

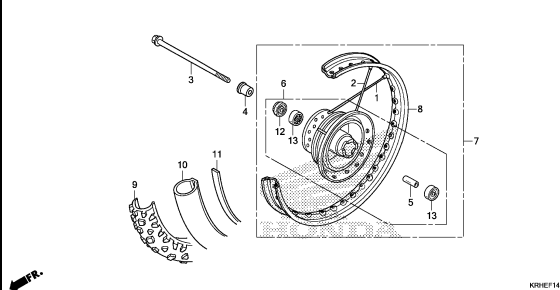
G15



F-14-10

FRONT WHEEL(XL125LK)

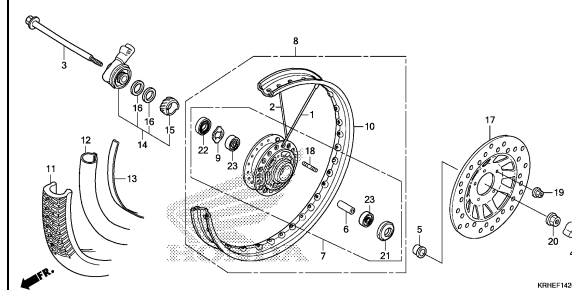
G16



F-14-20

FRONT WHEEL(XR125LEK/LK)

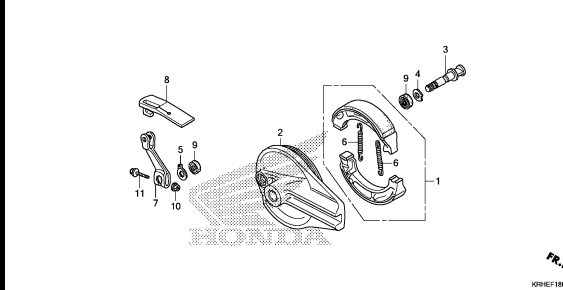
H 1



F-18

REAR BRAKE PANEL

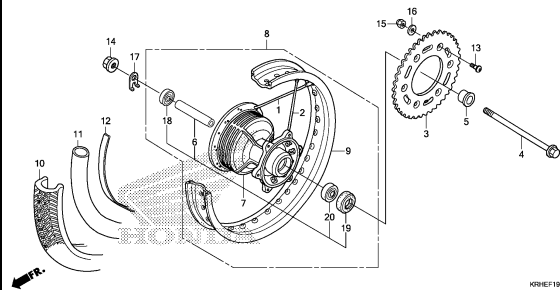
H 3



F-19-10

REAR WHEEL

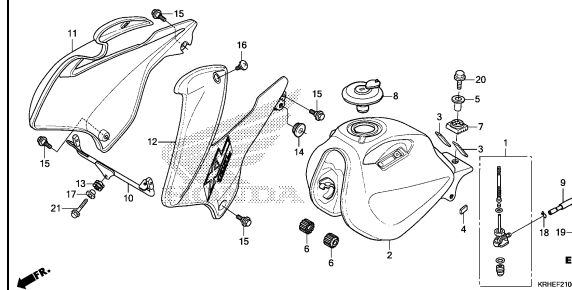
H 4



F-21

FUEL TANK

H 6



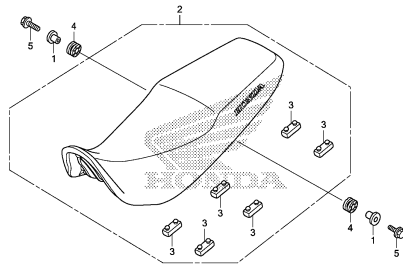
FRAME GROUP

D 1

F-23

SEAT

H 8

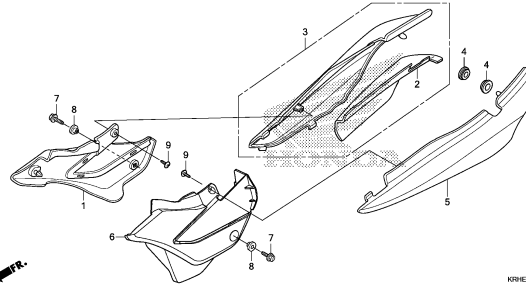


KRHEF2300

F-24

SIDE COVER

H 9

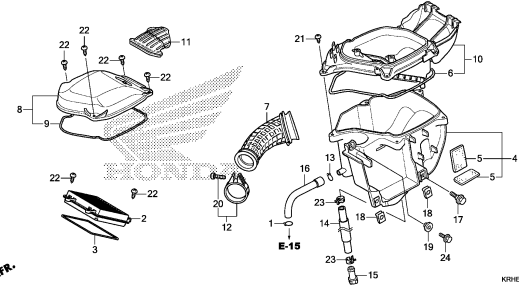


KRHEF2400

F-25

AIR CLEANER

H10

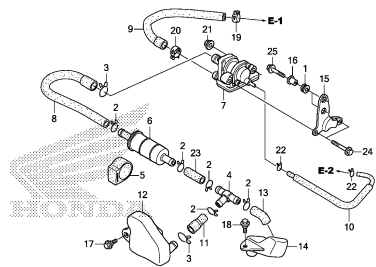


KRHEF2500

F-25-20

AIR SUCTION VALVE

H11

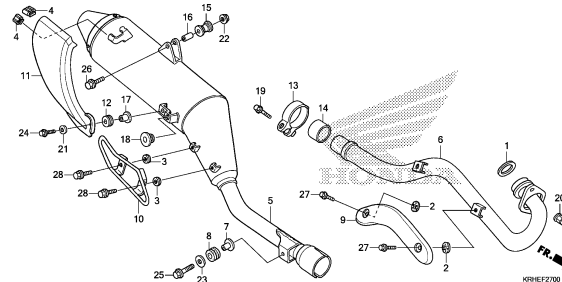


KRHEF2520

F-27

EXHAUST MUFFLER

H12

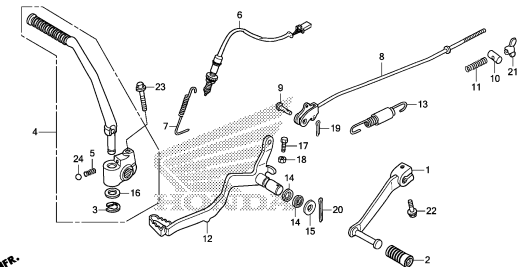


KRHEF2700

F-29

PEDAL

H14

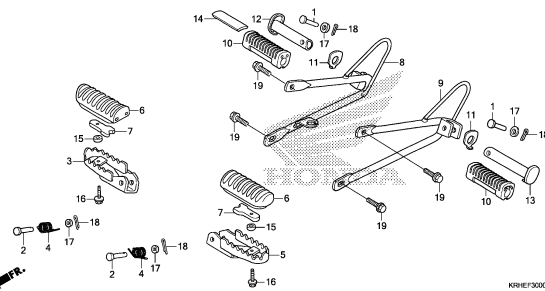


KRHEF2900

F-30

STEP

H15

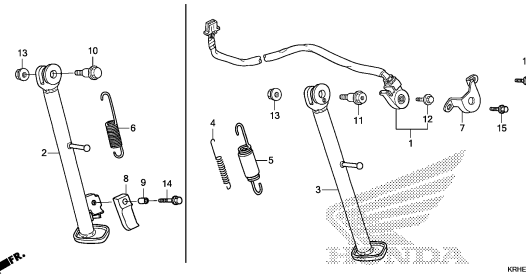


KRHEF3000

F-31

STAND

H16

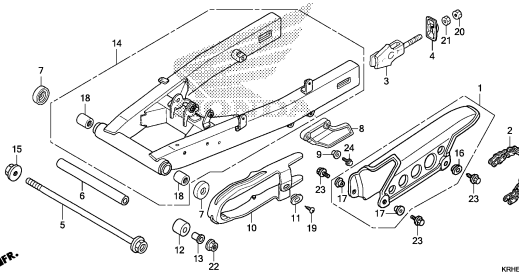


KRHEF3100

F-32

SWINGARM

I 1



KRHEF3200

3

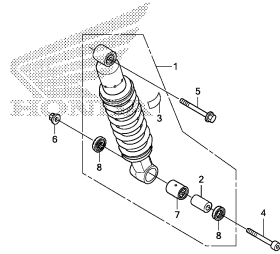
FRAME GROUP

D 2

F-33

REAR CUSHION

13

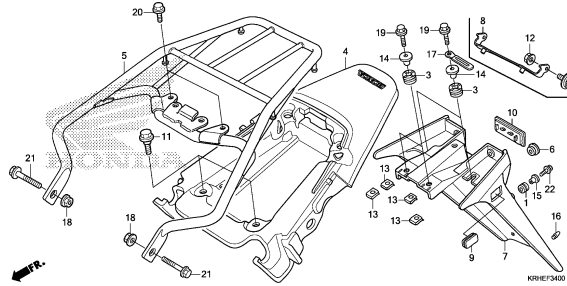


KRHEF3300

F-34

REAR FENDER(XR125LEK/LK)

14

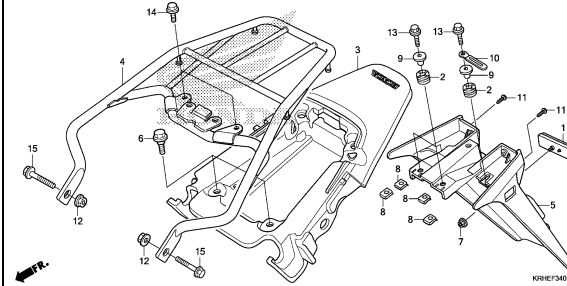


KRHEF3400

F-34-1

REAR FENDER(XL125LK)

16

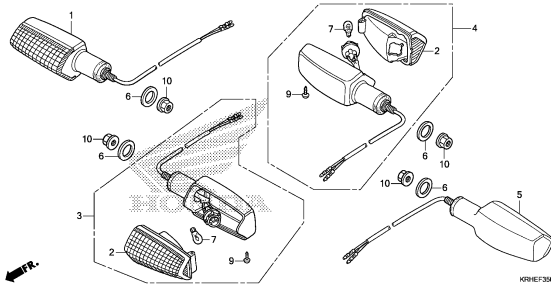


KRHEF3401

F-35

WINKER(XR125LEK/LK)

17

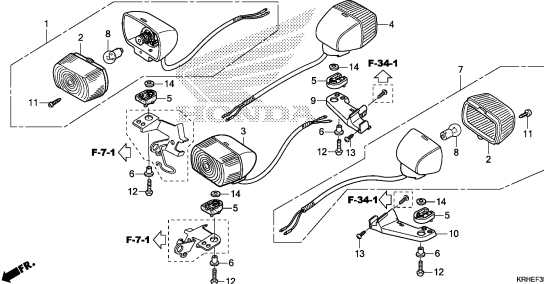


KRHEF3500

F-35-1

WINKER(XL125LK)

18

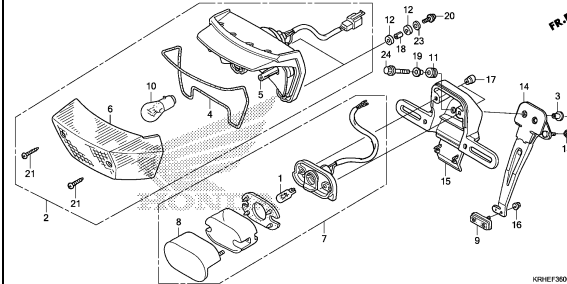


KRHEF3501

F-36

TAILLIGHT

19

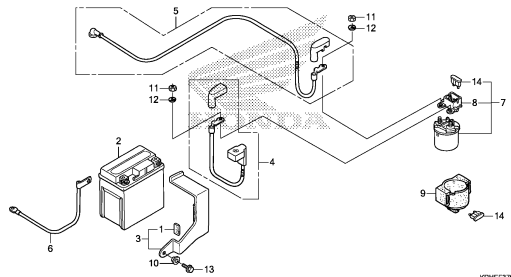


KRHEF3600

F-37

BATTERY

111

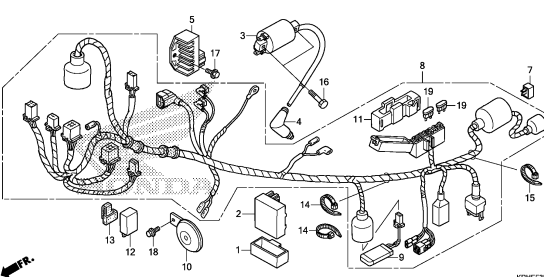


KRHEF3700

F-38

WIRE HARNESS(XR125LEK)

112

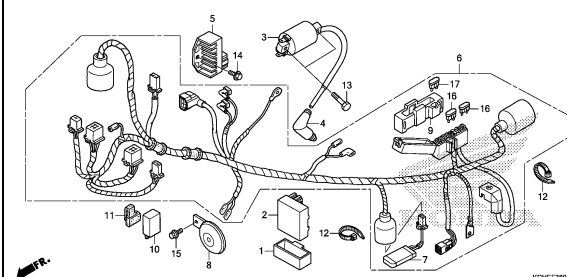


KRHEF3800

F-38-1

WIRE HARNESS(XR125LK/XL125LK)

113



KRHEF3801

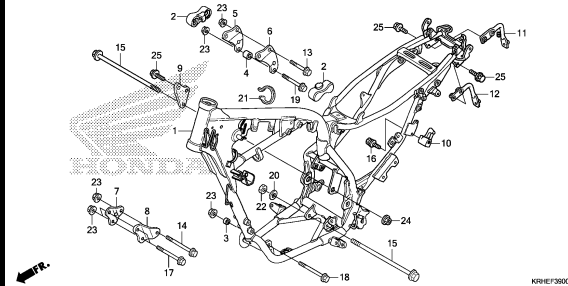
FRAME GROUP

D 3

F-39

FRAME BODY

I14

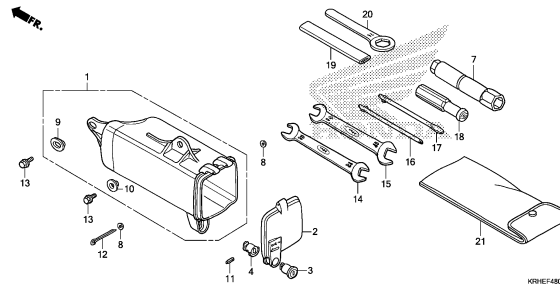


KRHEF3600

F-48

TOOLS

I16

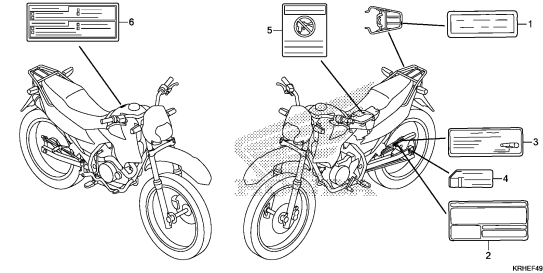


KRHEF4800

F-49

CAUTION LABEL(XR125LEK/LK)

J 1

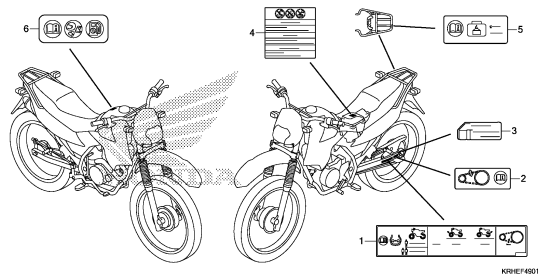


KRHEF4900

F-49-1

CAUTION LABEL(XL125LK)

J 2

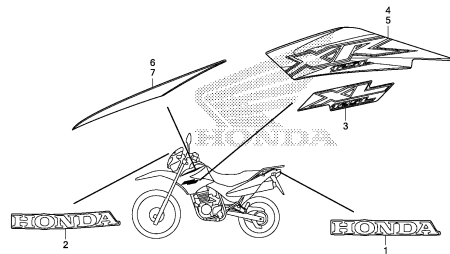


KRHEF4901

F-50

MARK/STRIPE

J 3

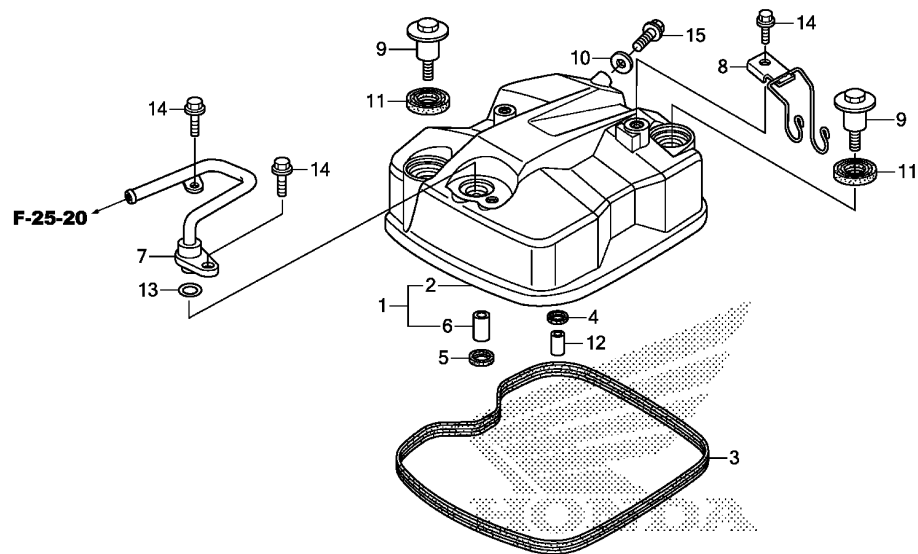


KRHEF5000

3

E-1

CYLINDER HEAD COVER



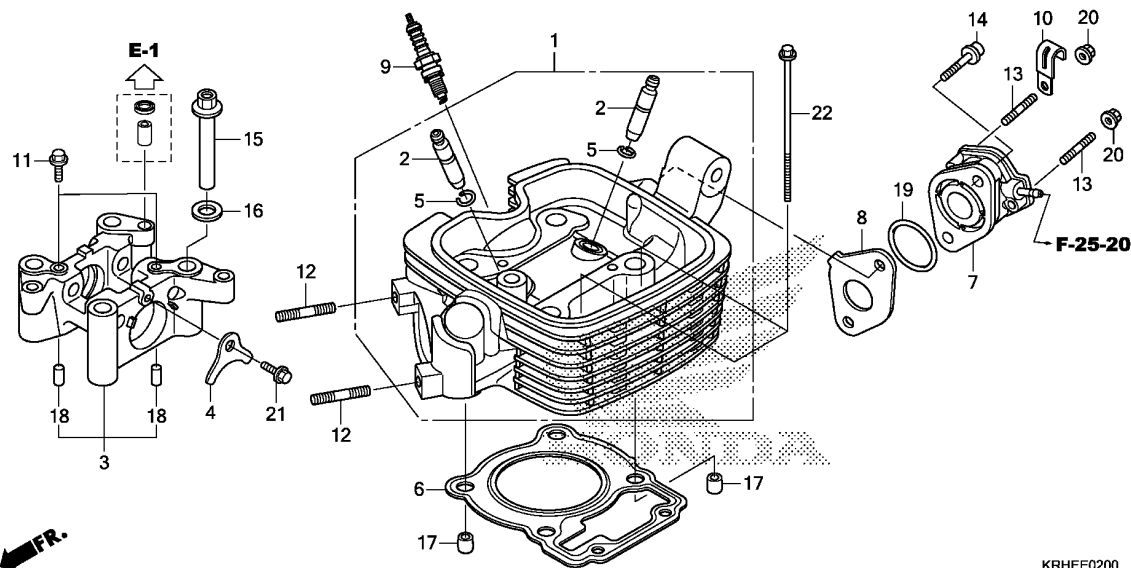
KRHEE0100

Ref. No.	L.O.N.	(Relative ref. Number) Description	F.R.T.
1	1111C4	COVER, CYLINDER HEAD	0.3
3	1111D2	GASKET, CYLINDER HEAD COVER ..	0.3
7	3111D1	PIPE, SECONDARY AIR	0.3

Ref. No.	Part No.	Description	Reqd. QTY			Serial No.	Parts catalogue code
			XR125 LEK C	XL125 LK C	XL125 LK C		
1	12310-KWK-901	COVER COMP., CYLINDER HEAD ..	1	1	-		
2	12311-KRH-780	COVER, CYLINDER HEAD	-	-	1		
3	12391-KRM-840	GASKET, HEAD COVER	1	1	1		
4	12396-KRM-840	GASKET B, HEAD COVER	1	1	1		
5	12397-KWG-601	GASKET C, HEAD COVER	1	1	-		
	12397-KYE-901	GASKET C, HEAD COVER(ARAI) ..	1	1	-		
6	12398-KWK-900	COLLAR, 10MM	1	1	-		
7	18640-KRH-A00	PIPE COMP., AIR FEED	1	1	-		
8	18700-KWK-900	GUIDE COMP., AIR SUCTION VALVE TUBE	1	1	-		
9	90003-KFG-000	BOLT, L. CRANKCASE COVER	2	2	2		
10	90463-KRM-840	WASHER, SEALING, 6.2X12X1.2 ..	1	1	1		
11	90543-MV9-670	RUBBER, MOUNTING	2	2	2		
12	90702-KRM-840	DOWEL PIN, 8X14	1	1	1		
13	91309-KVX-A00	O-RING, 9.8X2.8	1	1	-		
	91309-MJO-003	O-RING, 9.8X2.8(ARAI)	1	1	-		
14	95701-06016-00	BOLT, FLANGE, 6X16	3	3	-		
15	96001-06012-00	BOLT, FLANGE, 6X12	1	1	1		

E-2

CYLINDER HEAD

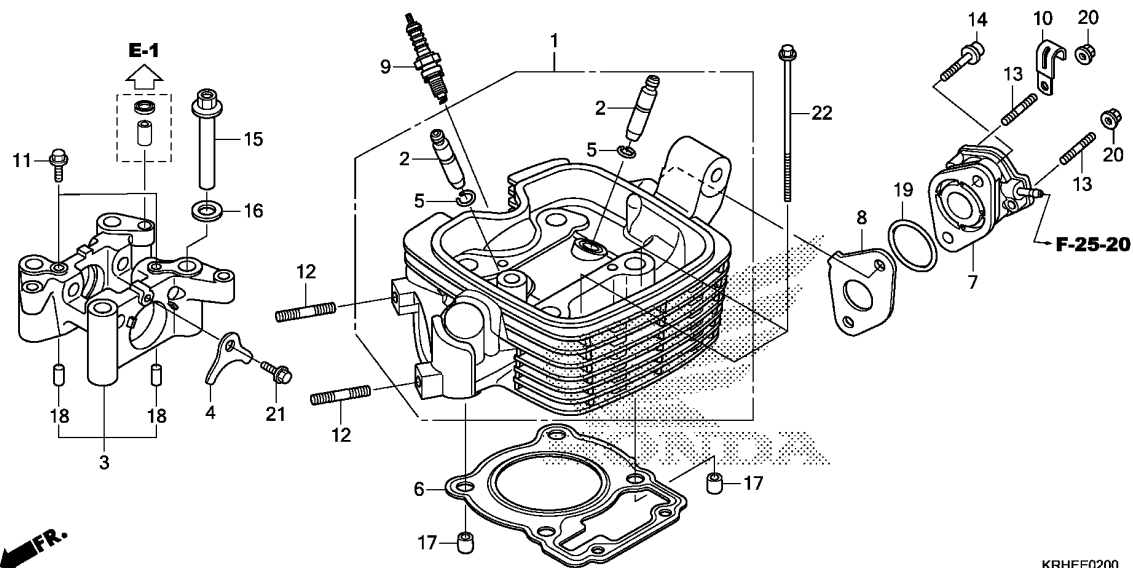


KRHEE0200

Ref. No.	L.O.N.	(Relative ref. Number) Description	F.R.T.
1	111106	HEAD, CYLINDERINCLUDES: Valve adjust and reface	2.2
2	1111L9	GUIDE, INTAKE VALVE(ONE)INCLUDES: Reaming .INCLUDES: Valve adjust and reface	2.2
	1111M0	GUIDE, EXHAUST VALVE(ONE)INCLUDES: Reaming .INCLUDES: Valve adjust and reface	2.2
	1111M9	GUIDE, VALVE :FOR 1 VEHICLE .. .INCLUDES: Reaming .INCLUDES: Valve adjust and reface	2.5
3	1111B4	HOLDER, CAMSHAFT	0.9
6	111115	GASKET, CYLINDER HEAD	1.4
7	311131	INSULATOR, THROTTLE BODY/ CARBURETOR	0.5
9	614130	PLUG, SPARK	0.1

Ref. No.	Part No.	Description	Reqd. QTY			Serial No.	Parts catalogue code
			XR125 LEK C	XL125 LK C	LK C		
1	12200-KRH-A00	HEAD COMP., CYLINDER	1	1	-		
	12200-KRH-780	-	-	1		
2	12204-KRM-305	GUIDE, VALVE(O.S.)	2	2	2		
3	12210-KVX-600	HOLDER COMP., CAMSHAFT	1	1	1		
4	12212-KRM-840	PLATE, STOPPER	1	1	1		
5	12213-KRM-840	CLIP, VALVE GUIDE	2	2	2		
	12213-KTT-900	2	2	2		
6	12251-KTE-911	GASKET, CYLINDER HEAD (NIPPON LEAKLESS)	1	1	1		
	12251-KVX-A00	GASKET, CYLINDER HEAD	1	1	1		
	12252-KVX-600	GASKET, CYLINDER HEAD (OS. 0.75/1.00)	(1)	(1)	(1)		
7	16210-KWK-900	INSULATOR, CARBURETOR	1	1	-		
	16210-KRH-780	INSULATOR COMP., CARBURETOR ..	-	-	1		
8	16214-KWK-900	GASKET, CARBURETOR INSULATOR	1	1	1		
9	31916-KRM-841	PLUG, SPARK(CPR8EA-9)(NGK) ..	(1)	(1)	(1)		
	31917-KPH-901	PLUG, SPARK(CPR7EA-9)(NGK) ..	1	1	1		
10	32925-958-000	CLIP, PULSER CORD	-	-	1		
11	90002-KRM-840	BOLT, FLANGE, 5X14	2	2	2		
12	90035-KRM-840	BOLT, STUD, 8X22	2	2	2		
13	90035-KWK-900	BOLT, STUD, 6X19	2	2	2		
14	90091-KRM-840	BOLT, FLANGE SOCKET, 6X22 ...	2	2	2		
15	90306-KRM-840	NUT, CYLINDER HEAD	4	4	4		
16	90404-KPT-A00	WASHER, PLAIN, 12MM	4	4	4		
17	90703-KRM-840	DOWEL PIN, 10X12	2	2	2		
18	90704-KRM-840	DOWEL PIN, 6X10	2	2	2		

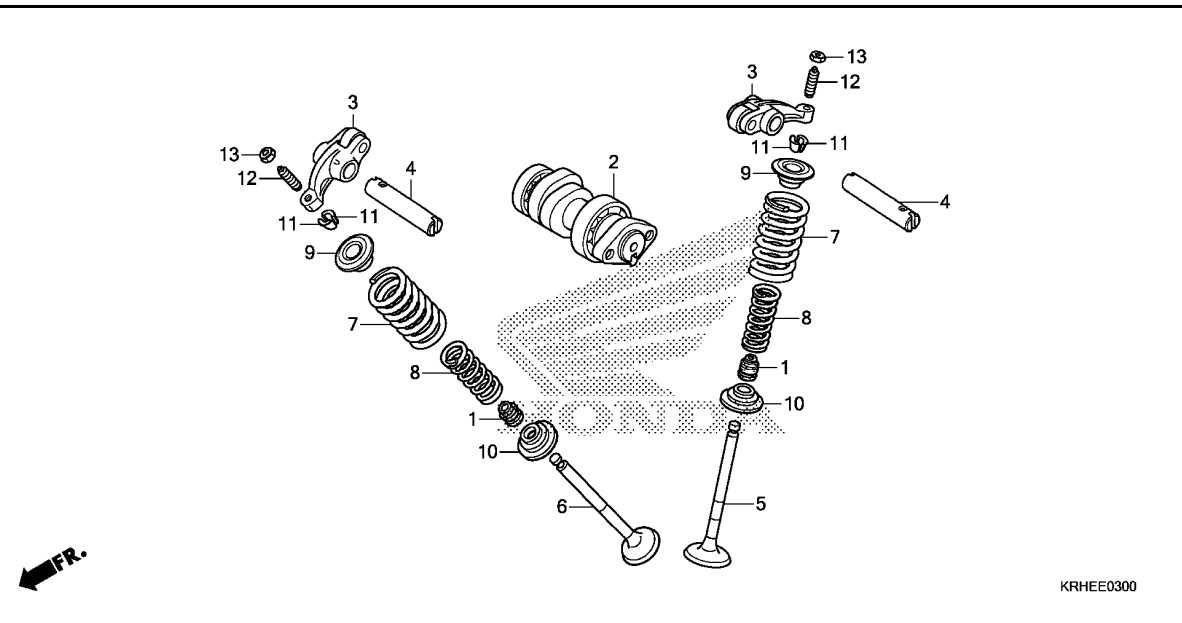




Ref. No.	Part No.	Description	Reqd. QTY			Serial No.	Parts catalogue code
			XR125 LEK C	XL125 LK C	XL125 LK C		
19	91304-KRM-840	O-RING, 33.5X3.0	1	1	1		
20	94050-06000	NUT, FLANGE, 6MM	2	2	2		
21	95701-06014-00	BOLT, FLANGE, 6X14	1	1	1		
22	95801-06105-00	BOLT, FLANGE, 6X105	2	2	2		

E-3

CAMSHAFT/VALVE



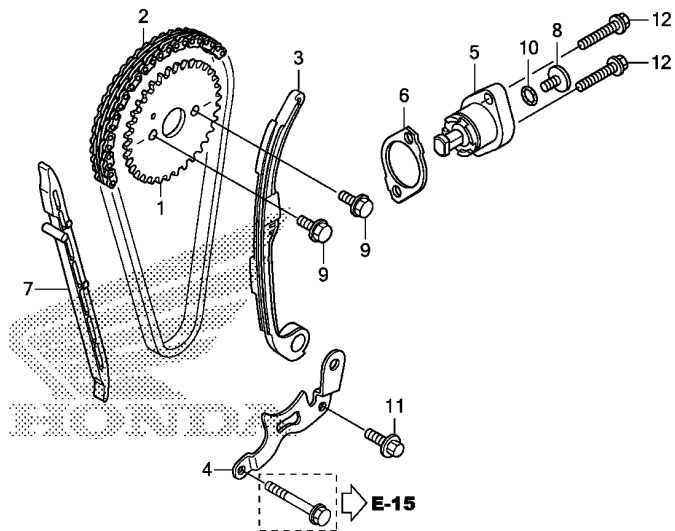
FR.

KRHEE0300

Ref. No.	L.O.N.	(Relative ref. Number) Description	F.R.T.
2	111118	CAMSHAFTINCLUDES: Valve adjustment (4)	0.7
3	1111K8	ARM, INTAKE VALVE ROCKER(ONE) .INCLUDES: Valve adjustment	0.8
	1111K9	ARM, EXHAUST VALVE ROCKER(ONE) .INCLUDES: Valve adjustment	0.8
	1111L8	ARM, VALVE ROCKER :FOR 1 VEHICLE	0.8
		.INCLUDES: Valve adjustment	
5	1111N0	VALVE, INTAKE(ONE)	1.7
		.INCLUDES: Refacing	
6	1111N1	VALVE, EXHAUST(ONE)	1.7
		.INCLUDES: Refacing	
	1111P0	VALVE :FOR 1 VEHICLE	1.9
		.INCLUDES: Refacing (1,8,9,10,11)	
7	1111P2	INTAKE VALVE SPRING AND/OR STEM SEAL(ONE)	1.5
	1111P3	EXHAUST VALVE SPRING AND/OR STEM SEAL(ONE)	1.5
	1111Q2	VALVE SPRING AND/OR STEM SEAL :FOR 1 VEHICLE	1.6

Ref. No.	Part No.	Description	Reqd. QTY			Serial No.	Parts catalogue code
			XR125 LEK C	XL125 LK C	XL125 LK C		
1	12209-GB4-682	SEAL, VALVE STEM(ARAI)	2	2	2		
2	14100-KVX-600	CAMSHAFT COMP.	1	1	1		
3	14430-KTT-900	ARM COMP., VALVE ROCKER	2	2	2		
4	14451-KTT-900	SHAFT, ROCKER ARM	2	2	2		
5	14711-KTE-910	VALVE, IN.	1	1	1		
6	14721-KWF-900	VALVE, EX.	1	1	1		
7	14751-KSP-910	SPRING, VALVE OUTER	2	2	2		
8	14761-KSP-910	SPRING, VALVE INNER	2	2	2		
9	14771-KSP-910	RETAINER, VALVE SPRING	2	2	2		
10	14777-KGH-900	SEAT, VALVE SPRING	2	2	2		
11	14781-MA6-000	COTTER, VALVE	4	4	4		
12	90012-KK3-830	SCREW, TAPPET ADJUSTING	2	2	2		
13	90206-250-000	NUT, TAPPET ADJUSTING	2	2	2		





KRHEE0400

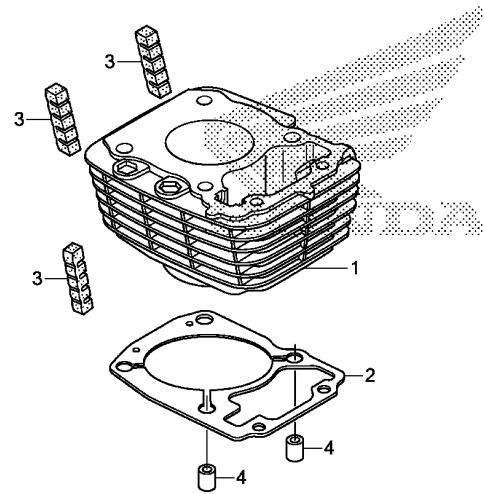
Ref. No.	L.O.N.	(Relative ref. Number) Description	F.R.T.
1	1111Q4	SPROCKET, CAM	0.5
2	110140	CHAIN, CAM	1.0
3	111130	TENSIONER, CAM CHAIN	0.9
5	111133	LIFTER, TENSIONER	0.2
7	111139	GUIDE, CAM CHAIN	1.4

Ref. No.	Part No.	Description	Reqd. QTY			Serial No.	Parts catalogue code
			XR125 LEK C	XL125 LK C	XL125 LK C		
1	14321-KRM-840	SPROCKET, CAM(34T)	1	1	1		
2	14401-KVJ-911	CHAIN, CAM(94L)(DAIDO)	1	1	1		
3	14510-KRM-842	TENSIONER ASSY., CAM CHAIN ..	1	1	1		
4	14515-KRM-840	PLATE, TENSIONER SETTING	1	1	1		
5	14520-KTT-900	LIFTER ASSY., TENSIONER	1	1	1		
6	14560-KSP-910	GASKET, TENSIONER LIFTER	1	1	1		
7	14610-KSP-910	GUIDE, CAM CHAIN	1	1	1		
8	90005-KY7-000	SCREW, PAN, 6X6	1	1	1		
9	90083-KRM-840	BOLT, KNOCK, 5MM	2	2	2		
10	91306-KRM-840	O-RING, 1.5X9.5	1	1	1		
11	95701-06016-00	BOLT, FLANGE, 6X16	1	1	1		
12	96001-06022-00	BOLT, FLANGE, 6X22	2	2	2		

E-5

CYLINDER

E 6



KRHEE0500

Ref. No.	L.O.N.	(Relative ref. Number) Description	F.R.T.
1	1111A5	CYLINDER	1.7
2	111102	GASKET, CYLINDER	1.6

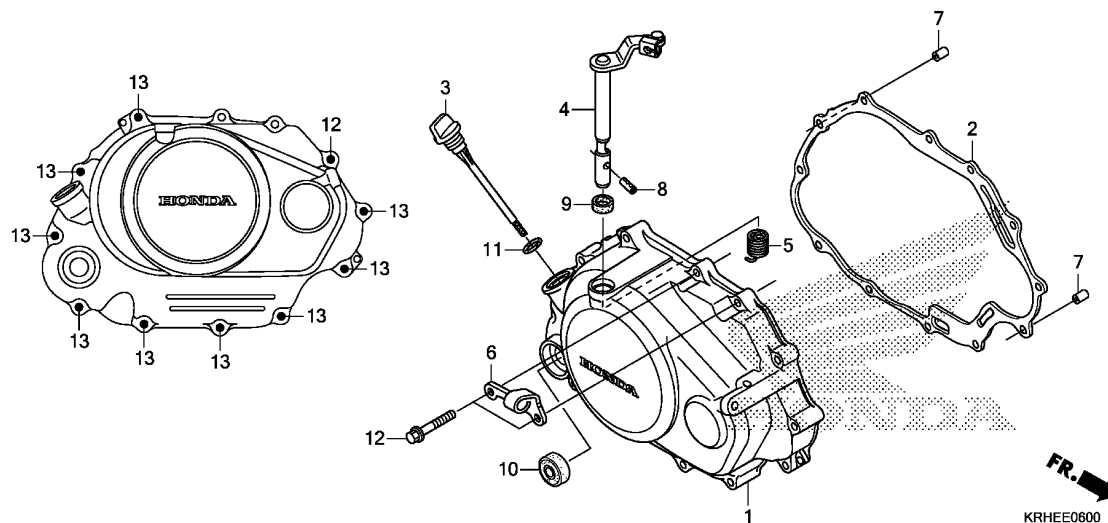
Ref. No.	Part No.	Description	Reqd. QTY			Serial No.	Parts catalogue code
			XR125 LEK C	XL125 LK C	XL125 LK C		
1	12100-KRH-780	CYLINDER COMP.	1	1	1		
2	12191-KWK-900	GASKET, CYLINDER	1	1	1		
3	12195-KTE-910	RUBBER, INSERT	3	3	3		
4	90703-KRM-840	DOWEL PIN, 10X12	2	2	2		

2

E-6

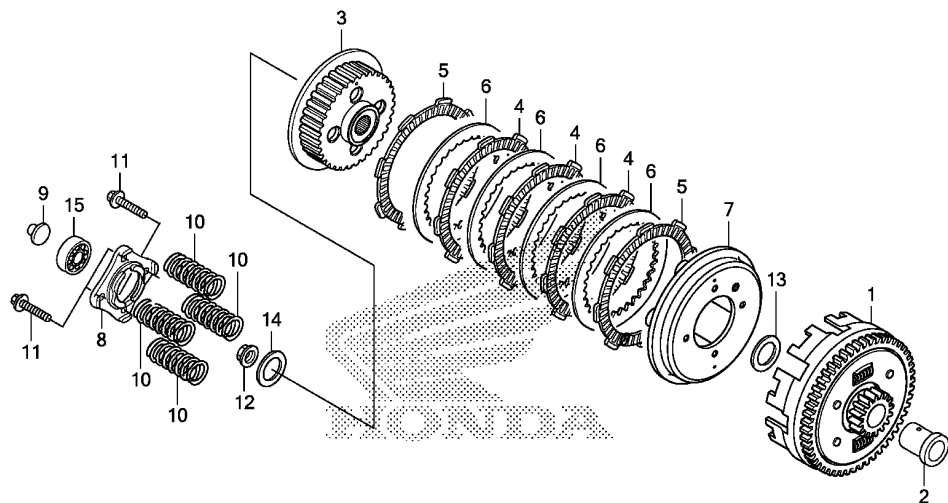
RIGHT CRANKCASE COVER

E 7



Ref. No.	L.O.N.	(Relative ref. Number) Description	F.R.T.
1	110159	COVER, CRANKCASE :RIGHT	0.7
2	110158	GASKET, CRANKCASE COVER :RIGHT (5)	0.6
4	2121A7	LEVER, CLUTCH	0.7
10	112105	OIL SEAL, KICK STARTER SPINDLE	0.6

Ref. No.	Part No.	Description	Reqd. QTY			Serial No.	Parts catalogue code
			XR125 LEK C	LK C	XL125 LK C		
1	11330-KWK-900	COVER COMP., R. CRANKCASE	1	1	1		
2	11393-KWK-900	GASKET, R. CRANKCASE COVER	1	1	1		
3	15651-KPT-A00	GAUGE, OIL LEVEL	1	1	1		
4	22810-KRM-B00	LEVER COMP., CLUTCH	1	1	1		
5	22815-KTT-900	SPRING, CLUTCH LEVER	1	1	1		
6	22821-KRM-840	RECEIVER, CLUTCH CABLE	1	1	1		
7	90702-KRM-840	DOWEL PIN, 8X14	2	2	2		
8	90703-KRH-900	PIN, SPRING, 3X10	1	1	1		
9	91202-KSP-910	OIL SEAL, 12X18X4	1	1	1		
10	91204-KSP-911	OIL SEAL, 16X28X7	1	1	1		
11	91307-KRM-840	O-RING, 18X3	1	1	1		
12	96001-06030-00	BOLT, FLANGE, 6X30	3	3	3		
13	96001-06040-00	BOLT, FLANGE, 6X40	9	9	9		



KRHEE0800

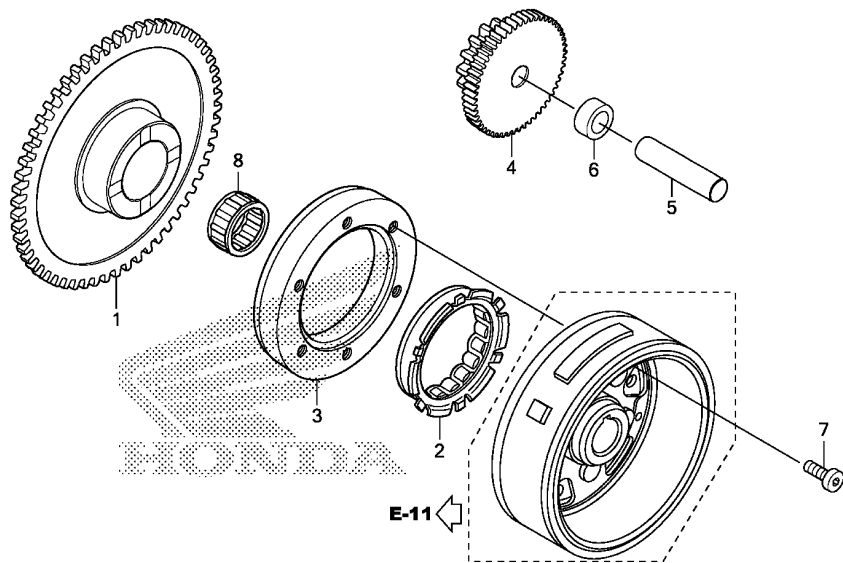
Ref. No.	L.O.N.	(Relative ref. Number) Description	F.R.T.
1	2121A0	OUTER, CLUTCH	1.0
3	212112	CENTER, CLUTCH	1.0
4	2121A1	(5,6) DISC, CLUTCH FRICTION	1.0
		.NOTE: Same time for two units or more	
7	2121A3	PLATE, CLUTCH PRESSURE	1.0
8	2121A4	PLATE, CLUTCH LIFTER	0.7
9	2121B6	ROD, CLUTCH LIFTER	0.6
10	212107	SPRING, CLUTCH	0.7
		.NOTE: Same time for two units or more	
15	2121B4	BEARING, CLUTCH LIFTER	0.6

Ref. No.	Part No.	Description	Reqd. QTY			Serial No.	Parts catalogue code
			XR125 LEK C	XL125 LK C	XL125 LK C		
1	22100-KWK-900	OUTER COMP., CLUTCH	1	1	1		
2	22115-KSP-910	GUIDE, CLUTCH OUTER	1	1	1		
3	22120-KTT-900	CENTER, CLUTCH	1	1	1		
4	22201-KTT-900	DISK, CLUTCH FRICTION	3	3	3		
5	22202-KTT-900	DISK, CLUTCH FRICTION	2	2	2		
6	22321-KTT-900	PLATE, CLUTCH	4	4	4		
7	22355-KTT-900	PLATE, CLUTCH PRESSURE	1	1	1		
8	22361-KTT-900	PLATE, CLUTCH LIFTER	1	1	1		
9	22366-KRM-840	ROD, CLUTCH LIFTER	1	1	1		
10	22401-KRM-840	SPRING, CLUTCH	4	4	4		
11	90008-KTT-900	BOLT, FLANGE, 6X25	4	4	4		
12	90202-KRM-840	NUT, SPECIAL FLANGE, 14MM	1	1	1		
13	90405-KTT-900	WASHER, PLAIN, 17MM	1	1	1		
14	90501-KPT-A00	WASHER, 14.1X29X2.8	1	1	1		
15	96100-60030-00	BEARING, RADIAL BALL, 6003	1	1	1		



E-9

STARTING CLUTCH



KRHEE0900

Ref. No.	L.O.N.	(Relative ref. Number) Description	F.R.T.
1	612120	GEAR, STARTER DRIVEN	0.5
3		(2)	
	612131	OUTER, STARTING CLUTCH	0.6
4	612125	GEAR, STARTER REDUCTION	0.3

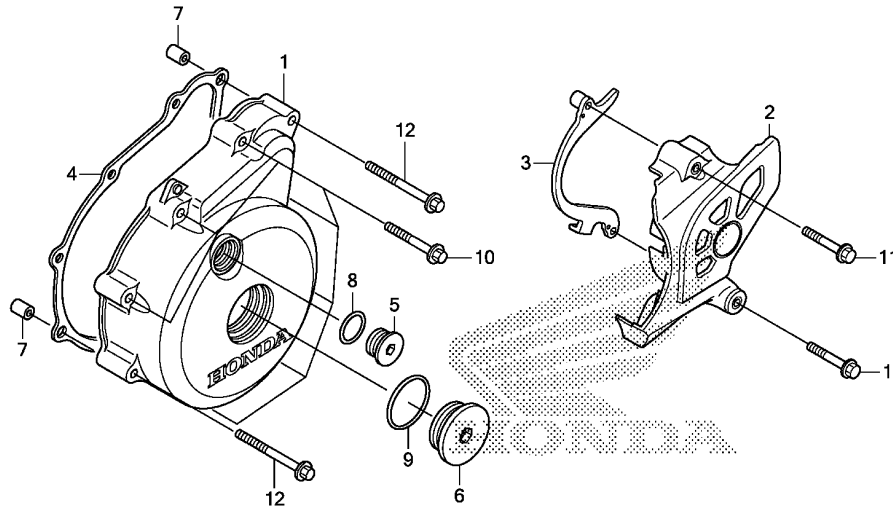
Ref. No.	Part No.	Description	Reqd. QTY			Serial No.	Parts catalogue code
			XR125 LEK C	XL125 LK C	XL125 LK C		
1	28110-KTT-901	GEAR, STARTER DRIVEN(58T) ...	1	-	-		
2	28120-KYA-901	CLUTCH, ONE WAY	1	-	-		
	28126-MN4-004	CLUTCH, ONE WAY(NIPPON SEIKO)	1	-	-		
3	28128-KVC-900	OUTER, STARTING CLUTCH	1	-	-		
4	28131-KTT-900	GEAR, STARTER REDUCTION (15/53T)	1	-	-		
5	28132-KN6-930	SHAFT, REDUCTION GEAR	1	-	-		
6	28133-KRM-850	COLLAR, STARTER REDUCTION ...	1	-	-		
7	90085-KTT-900	BOLT, SOCKET, 6MM	6	-	-		
8	91104-KTT-901	BEARING, NEEDLE, 22X29X16.8 .	1	-	-		

2

E-10

LEFT CRANKCASE COVER

E10

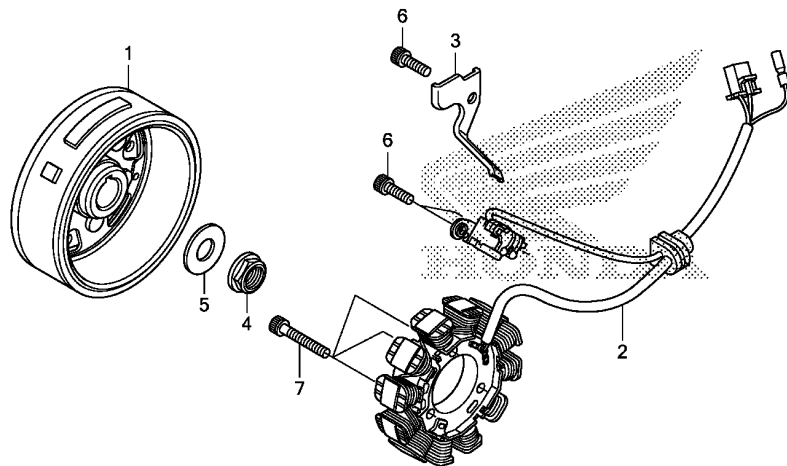


KRHEE1000

Ref. No.	L.O.N.	(Relative ref. Number) Description	F.R.T.
1	1101A6	COVER, CRANKCASE :LEFT	0.4
2	1101B0	COVER, CRANKCASE :LEFT REAR ..	0.1
4	1101A3	GASKET, CRANKCASE COVER :LEFT	0.3

Ref. No.	Part No.	Description	Reqd. QTY			Serial No.	Parts catalogue code
			XR125 LEK C	LK C	XL125 LK C		
1	11341-KWK-900	COVER, L. CRANKCASE	1	1	1		
2	11360-KRH-780	COVER COMP., L. RR.	1	1	1		
3	11365-KRH-780	GUIDE COMP., DRIVE CHAIN	1	1	1		
4	11395-KWK-900	GASKET, L. COVER	1	1	1		
5	90084-KTT-900	CAP, 14MM	1	1	1		
6	90087-KRM-840	CAP, 32MM	1	1	1		
7	90702-KRM-840	DOWEL PIN, 8X14	2	2	2		
8	91303-KRM-840	O-RING, 13.8X2.5	1	1	1		
9	91305-KRM-840	O-RING, 31.7X2.4	1	1	1		
10	96001-06035-00	BOLT, FLANGE, 6X35	7	7	7		
11	96001-06040-00	BOLT, FLANGE, 6X40	2	2	2		
12	96001-06045-00	BOLT, FLANGE, 6X45	2	2	2		



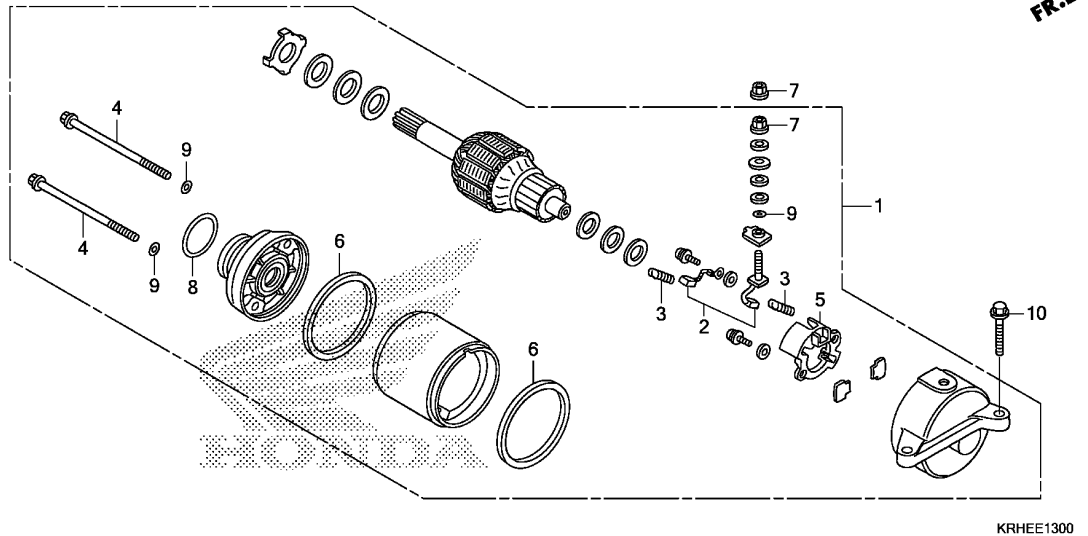


FR.

KRHEE1100

Ref. No.	L.O.N.	(Relative ref. Number) Description	F.R.T.
1	613105	ROTOR OR FLYWHEEL	0.6
2	6131A3	STATOR	0.6

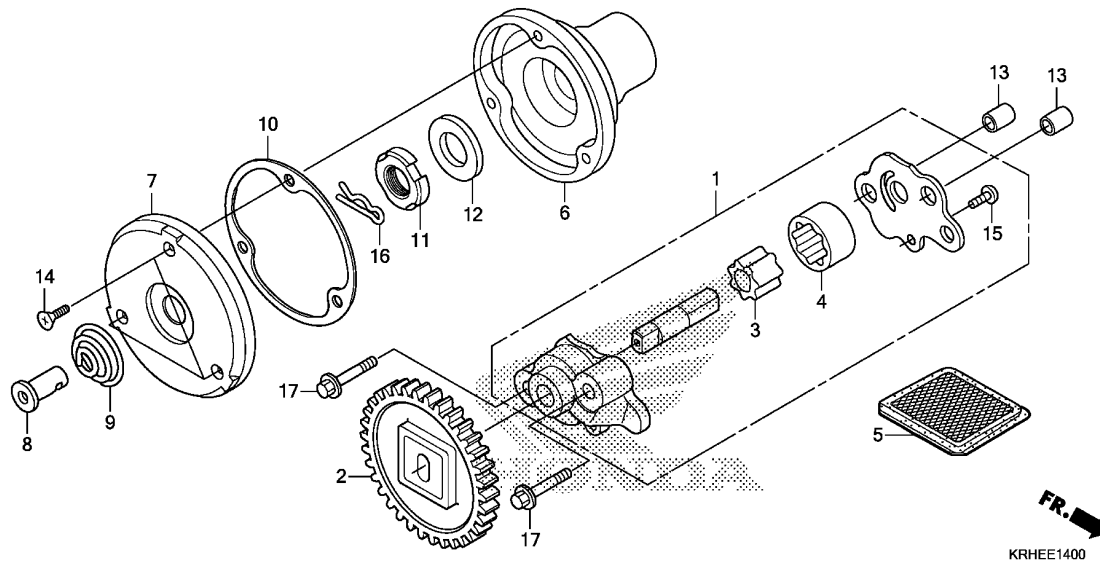
Ref. No.	Part No.	Description	Reqd. QTY			Serial No.	Parts catalogue code
			XR125 LEK C	XL125 LK C	XL125 LK C		
1	31110-KRH-A01	FLYWHEEL COMP.	1	-	-		
	31110-KRH-781		-	1	1		
2	31120-KRH-781	STATOR COMP.	1	1	1		
3	32111-KSP-910	CLAMPER, A.C. GENERATOR CORD	1	1	1		
4	90201-KRM-840	NUT, FLANGE, 14MM	1	1	1		
5	90501-KPT-A00	WASHER, 14.1X29X2.8	1	1	1		
6	96600-06016-00	BOLT, SOCKET, 6X16	3	3	3		
7	96600-06022-00	BOLT, SOCKET, 6X22	3	3	3		



Ref. No.	L.O.N.	(Relative ref. Number) Description	F.R.T.
1		(8)	
612105		MOTOR, STARTING	0.4
2		(3,5,6)	
6121A4		TERMINAL, BRUSH(STARTER)	0.6

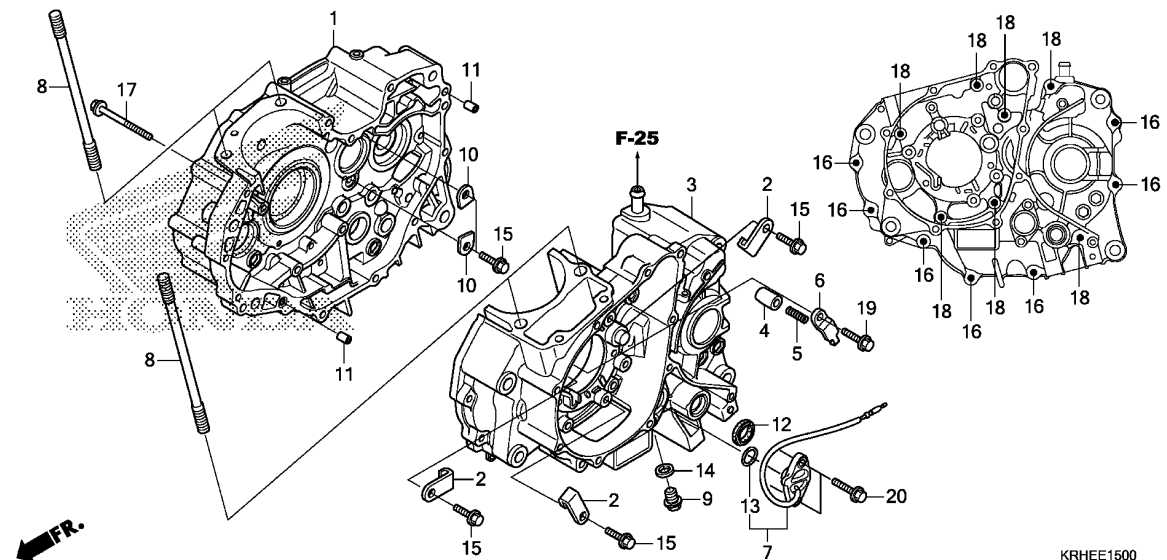
Ref. No.	Part No.	Description	Reqd. QTY			Serial No.	Parts catalogue code
			XR125 LEK C	XL125 LK C	XL125 LK C		
1	31200-KRM-851	MOTOR ASSY., STARTER(MITSUBA)	1	-	-		
2	31201-KPT-A01	TERMINAL SET, BRUSH	1	-	-		
3	31204-KG8-004	SPRING, CARBON BRUSH	2	-	-		
4	31205-KRM-851	BOLT, SETTING	2	-	-		
5	31206-KPH-881	HOLDER, BRUSH	1	-	-		
6	31207-MBE-008	RING	2	-	-		
7	90071-MB0-000	NUT-WASHER, 6MM	2	-	-		
8	91309-425-003	O-RING, 24.4X3.1(ARAI)	1	-	-		
9	91320-MB0-000	O-RING, 4X2	3	-	-		
10	95701-06022-00	BOLT, FLANGE, 6X22	2	-	-		





Ref. No.	L.O.N.	(Relative ref. Number) Description	F.R.T.
1	113105	PUMP ASSY., OIL	0.7
2	1131B8	GEAR, OIL PUMP DRIVE	0.6
3		(4)	
	1131C7	ROTOR, OIL PUMP	0.7
5	1131B5	SCREEN, OIL FILTER	0.6
6	1101L0	ROTOR, OIL FILTER	0.8
7		(10)	
	1101L1	CAP, OIL FILTER ROTOR	0.7

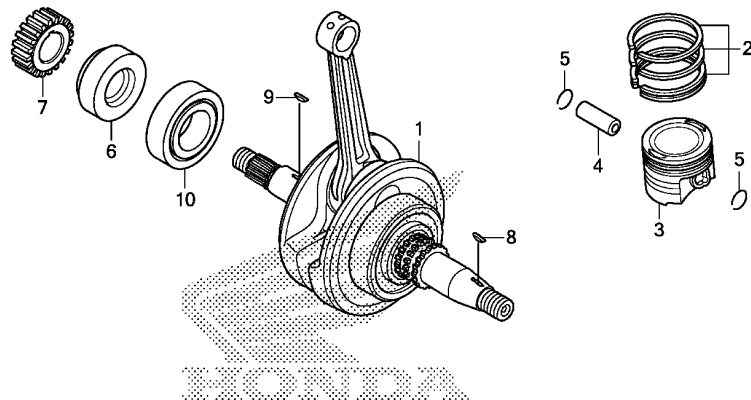
Ref. No.	Part No.	Description	Reqd. QTY			Serial No.	Parts catalogue code
			XR125 LEK C	XL125 LK C	XL125 LK C		
1	15100-KTT-900	PUMP ASSY., OIL	1	1	1		
2	15130-KTT-900	GEAR COMP., OIL PUMP(34T) ...	1	1	1		
3	15331-KTT-900	ROTOR, OIL PUMP INNER	1	1	1		
4	15332-KTT-900	ROTOR, OIL PUMP OUTER	1	1	1		
5	15421-KSP-910	SCREEN, OIL FILTER	1	1	1		
6	15430-KSP-910	ROTOR, OIL FILTER	1	1	1		
7	15436-KRM-840	CAP, OIL FILTER ROTOR	1	1	1		
8	15441-KCS-650	THROUGH, OIL	1	1	1		
9	15446-107-000	SPRING, OIL THROUGH	1	1	1		
10	15459-KWK-900	GASKET, OIL FILTER CAP	1	1	1		
11	90231-KRM-840	NUT, LOCK, 14MM	1	1	1		
12	90432-KPT-A00	WASHER, 14.2X26X3	1	1	1		
13	90702-KRM-840	DOWEL PIN, 8X14	2	2	2		
14	93700-05012-0A	SCREW, OVAL, 5X12	3	3	3		
15	93901-34120	SCREW, TAPPING, 4X8	1	1	1		
16	94251-08000	PIN, LOCK, 8MM	1	1	1		
17	95701-06035-00	BOLT, FLANGE, 6X35	2	2	2		



Ref. No.	L.O.N.	(Relative ref. Number) Description	F.R.T.
1	110120	CRANKCASE :RIGHTINCLUDES: Engine removal and installation	4.6
3	110115	CRANKCASE :LEFTINCLUDES: Engine removal and installation	4.3
	1101A2	CRANKCASE :BOTHINCLUDES: Engine removal and installation	5.2
7	6151B8	SWITCH, NEUTRAL	0.3
12	1101F9	OIL SEAL, GEARSHIFT SPINDLE ..	0.9

Ref. No.	Part No.	Description	Reqd. QTY			Serial No.	Parts catalogue code
			XR125 LEK C	XL125 LK C	XL125 LK C		
1	11100-KRH-A00	CRANKCASE COMP., R.(ES)	1	-	-		
	11100-KRH-780	CRANKCASE COMP., R.(KS)	-	1	1		
2	11108-KTT-900	PLATE, L. BEARING SETTING ...	3	3	3		
3	11200-KRH-A00	CRANKCASE COMP., L.(ES)	1	-	-		
	11200-KRH-780	CRANKCASE COMP., L.(KS)	-	1	1		
4	11215-KRM-840	PLUG, BEARING PUSH	1	1	1		
5	11216-KRM-840	SPRING, BEARING PUSH	1	1	1		
6	11217-KRM-840	PLATE, BEARING PUSH	1	1	1		
7	35750-KYE-900	SWITCH SET, NEUTRAL	1	1	1		
8	90031-KTT-900	BOLT, CYLINDER STUD, 8X140 ..	4	4	4		
9	90131-KRM-840	BOLT, DRAIN PLUG, 12MM	1	1	1		
10	90441-KRM-840	PLATE, BEARING HOLDER	2	2	2		
11	90702-KRM-840	DOWEL PIN, 8X14	2	2	2		
12	91203-KSP-910	OIL SEAL, 14X22X5	1	1	1		
13	91305-KPH-900	O-RING, 19.4X2.3	1	1	1		
14	94109-12000	WASHER, DRAIN PLUG, 12MM ...	1	1	1		
15	95701-06016-00	BOLT, FLANGE, 6X16	5	5	5		
16	95701-06040-00	BOLT, FLANGE, 6X40	7	7	7		
17	95701-06045-00	BOLT, FLANGE, 6X45	1	1	1		
18	95701-06070-00	BOLT, FLANGE, 6X70	7	7	7		
19	96001-06018-00	BOLT, FLANGE, 6X18	1	1	1		
20	96001-06020-00	BOLT, FLANGE, 6X20	2	2	2		



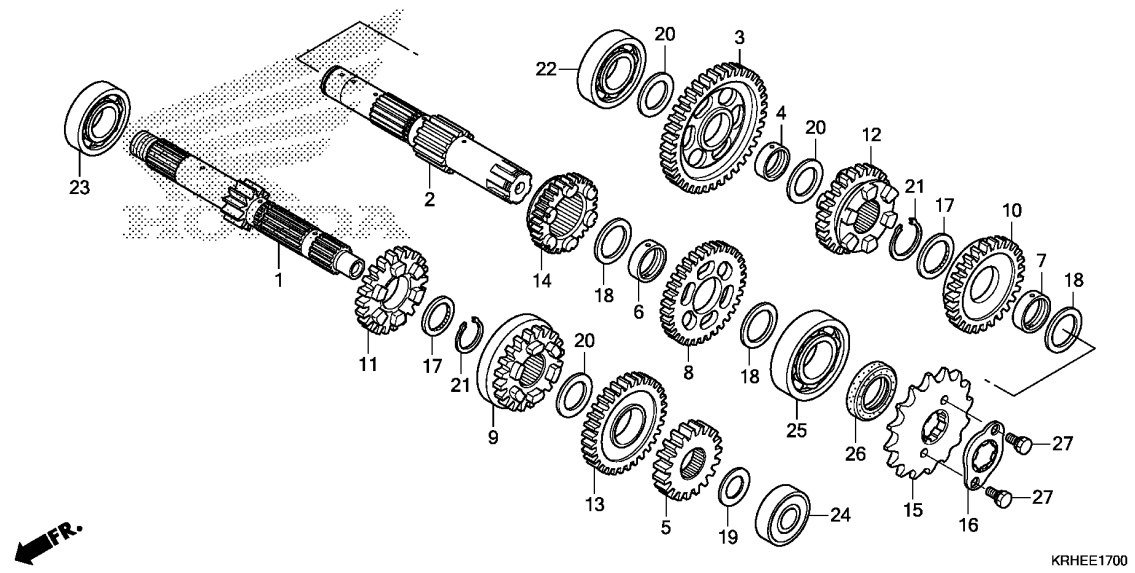


FR.

KRHEE1600

Ref. No.	L.O.N.	(Relative ref. Number) Description	F.R.T.
1	1101B5	CRANKSHAFTINCLUDES: Engine removal and installation (2,4,5)	3.8
3	111103	PISTON RING AND/OR PISTON(ONE)INCLUDES: Engine removal and installation	1.8
10	1101B7	BEARING, CRANKSHAFT :RIGHTINCLUDES: Engine removal and installation	3.8

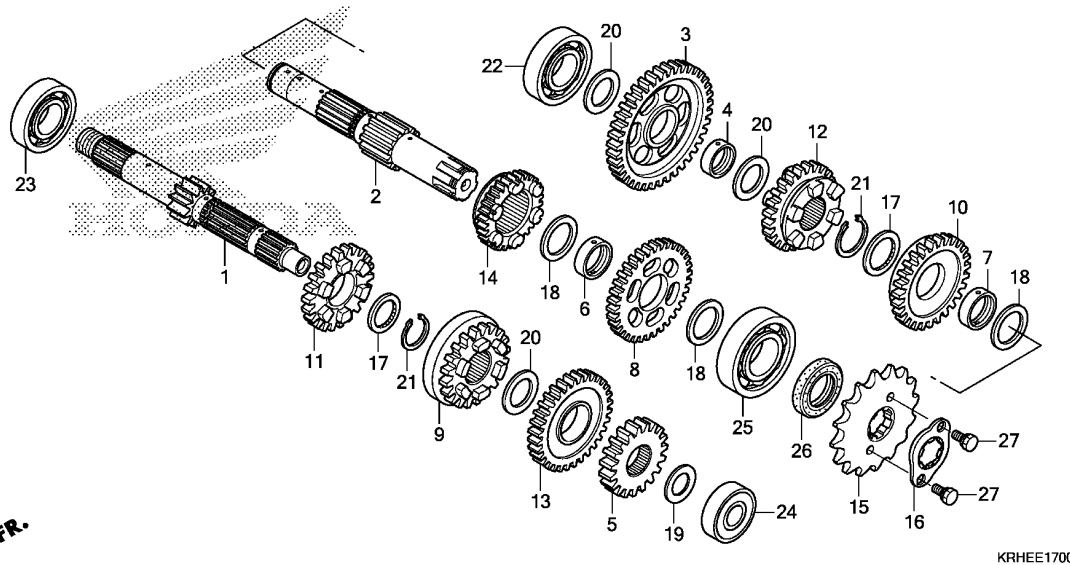
Ref. No.	Part No.	Description	Reqd. QTY			Serial No.	Parts catalogue code
			XR125 LEK C	XL125 LK C	XL125 LK C		
1	13000-KVX-600	CRANKSHAFT COMP.	1	1	1		
2	13011-KVX-600	RING SET, PISTON(STD.) (RIKEN)	1	1	1		
	13021-KVX-600	RING SET, PISTON(0.25) (RIKEN)	(1)	(1)	(1)		
	13031-KVX-600	RING SET, PISTON(0.50) (RIKEN)	(1)	(1)	(1)		
	13041-KVX-600	RING SET, PISTON(0.75) (RIKEN)	(1)	(1)	(1)		
	13051-KVX-600	RING SET, PISTON(1.00) (RIKEN)	(1)	(1)	(1)		
3	13101-KVX-600	PISTON(STD.)	1	1	1		
	13102-KVX-600	PISTON(0.25)	(1)	(1)	(1)		
	13103-KVX-600	PISTON(0.50)	(1)	(1)	(1)		
	13104-KVX-600	PISTON(0.75)	(1)	(1)	(1)		
	13105-KVX-600	PISTON(1.00)	(1)	(1)	(1)		
4	13111-KVX-600	PIN, PISTON	1	1	1		
5	13115-GN5-910	CLIP, PISTON PIN, 13MM	2	2	2		
6	13412-KTE-910	COLLAR, R. CRANKSHAFT	1	1	1		
7	23121-KTT-900	GEAR, PRIMARY DRIVE(20T)	1	1	1		
8	90741-KFB-000	KEY, WOODRUFF, 4MM	1	1	1		
9	90741-KGH-900	KEY, WOODRUFF, 4MM	1	1	1		
10	91001-KRM-842	BEARING, ROLLER, 30X58X17 (NTN)	1	1	1		
	91001-KSP-913	BEARING, ROLLER, 30X58X17 (FAG)	1	1	1		



Ref. No.	L.O.N.	(Relative ref. Number) Description	F.R.T.
1		(5,9,11,13)	
210141		MAINSHAFT, TRANSMISSION	3.8
		.INCLUDES: Engine removal and installation	
210141A		.Replace countershaft add	0.2
2		(3,8,10,12,14)	
210142		COUNTERSHAFT, TRANSMISSION ...	3.8
		.INCLUDES: Engine removal and installation	
210142A		.Replace mainshaft add	0.2
15	213135	SPROCKET, DRIVE	0.2
22	2101C8	BEARING, COUNTERSHAFT :RIGHT	3.8
		.INCLUDES: Engine removal and installation	
23	2101C5	BEARING, MAINSHAFT :RIGHT	3.8
		.INCLUDES: Engine removal and installation	
24	2101C2	BEARING, MAINSHAFT :LEFT	3.8
		.INCLUDES: Engine removal and installation	
	2101C6	BEARING, MAINSHAFT :BOTH	4.0
		.INCLUDES: Engine removal and installation	
+25	2101C7	BEARING, COUNTERSHAFT :LEFT ..	3.8

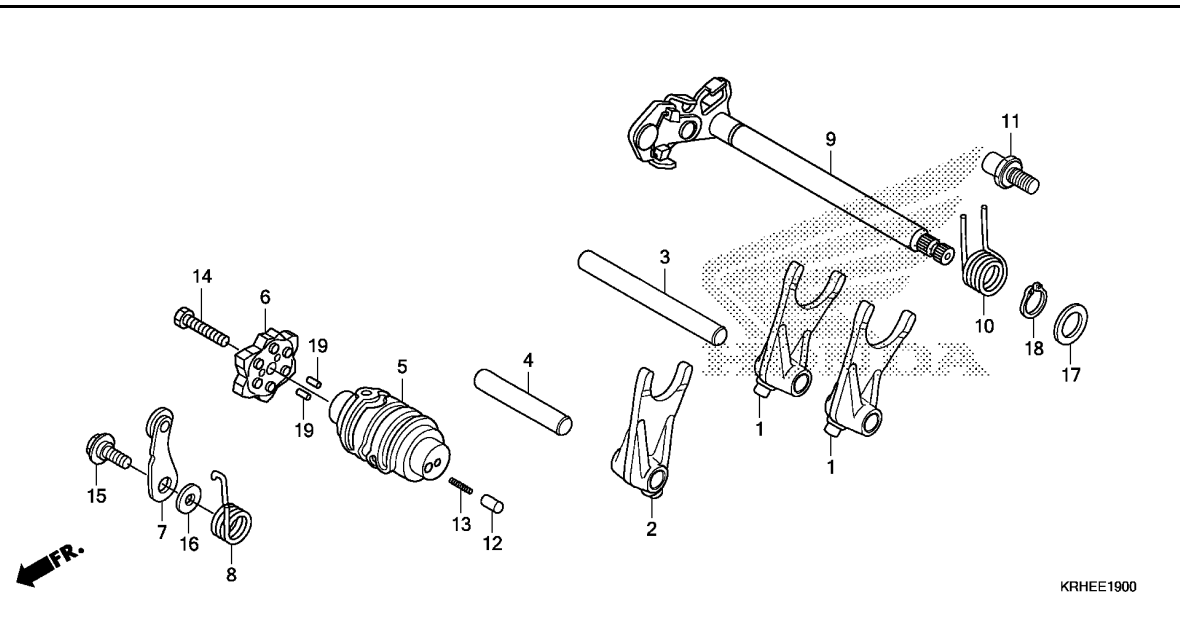
Ref. No.	Part No.	Description	Reqd. QTY			Serial No.	Parts catalogue code
			XR125 LEK C	XL125 LK C	XL125 LK C		
1	23210-KRH-780	MAINSHAFT COMP.(14T)	1	1	1		
2	23220-KRH-780	COUNTERSHAFT COMP.	1	1	1		
3	23421-KRH-780	GEAR, COUNTERSHAFT LOW(39T) -	1	1	1		
4	23427-KRM-840	BUSH, 17X20.5X8.0	1	1	1		
5	23431-KPN-A00	GEAR, MAINSHAFT SECOND(16T) -	1	1	1		
6	23432-KRH-780	BUSH, 20MM	1	1	1		
7	23432-KVX-600	BUSH, 20MM	1	1	1		
8	23441-KPN-A00	GEAR, COUNTERSHAFT SECOND(30T)	1	1	1		
9	23451-KPN-A00	GEAR, MAINSHAFT THIRD(22T) --	1	1	1		
10	23461-KPN-A00	GEAR, COUNTERSHAFT THIRD(31T)	1	1	1		
11	23471-KPN-A00	GEAR, MAINSHAFT FOURTH(25T) -	1	1	1		
12	23481-KPN-A00	GEAR, COUNTERSHAFT FOURTH(28T)	1	1	1		
13	23491-KPN-A00	GEAR, MAINSHAFT FIFTH(32T) --	1	1	1		
14	23501-KPN-A00	GEAR, COUNTERSHAFT FIFTH(30T)	1	1	1		
15	23801-KWF-940	SPROCKET, DRIVE(16T)	1	1	1		
16	23811-KR3-600	PLATE A2, FIXING	1	1	1		
17	90453-KVX-600	WASHER, SPLINE, 20MM	2	2	2		
18	90454-KTT-900	WASHER B, THRUST, 20MM	3	3	3		
19	90456-KTT-900	WASHER, THRUST, 12MM	1	1	1		
20	90458-KVS-900	WASHER, THRUST, 17MM	3	3	3		
21	90602-KYY-900	CIRCLIP, 20MM	2	2	2		
22	91003-KTT-900	BEARING, RADIAL BALL, 17X42X12	1	1	1		
23	91004-KTN-900	BEARING, RADIAL BALL, 17X40X12	1	1	1		
24	91005-KTN-900	BEARING, RADIAL BALL, 12X32X10	1	1	1		
25	91006-KTN-900	BEARING, RADIAL BALL, 20X47X14	1	1	1		





Ref. No.	L.O.N.	(Relative ref. Number) Description	F.R.T.
+25		.INCLUDES: Engine removal and installation	
2101C9		BEARING, COUNTERSHAFT :BOTH ..	4.0
2101D4		BEARING, MAINSHAFT AND COUNTERSHAFT :ALL	4.2
		.INCLUDES: Engine removal and installation	

Ref. No.	Part No.	Description	Reqd. QTY			Serial No.	Parts catalogue code
			XR125 LEK C	XL125 LK C	XL125 LK C		
26	91216-KSP-910	OIL SEAL, 20X34X7	1	1	1		
27	93101-06010-0A	BOLT, HEX., 6X10	2	2	2		

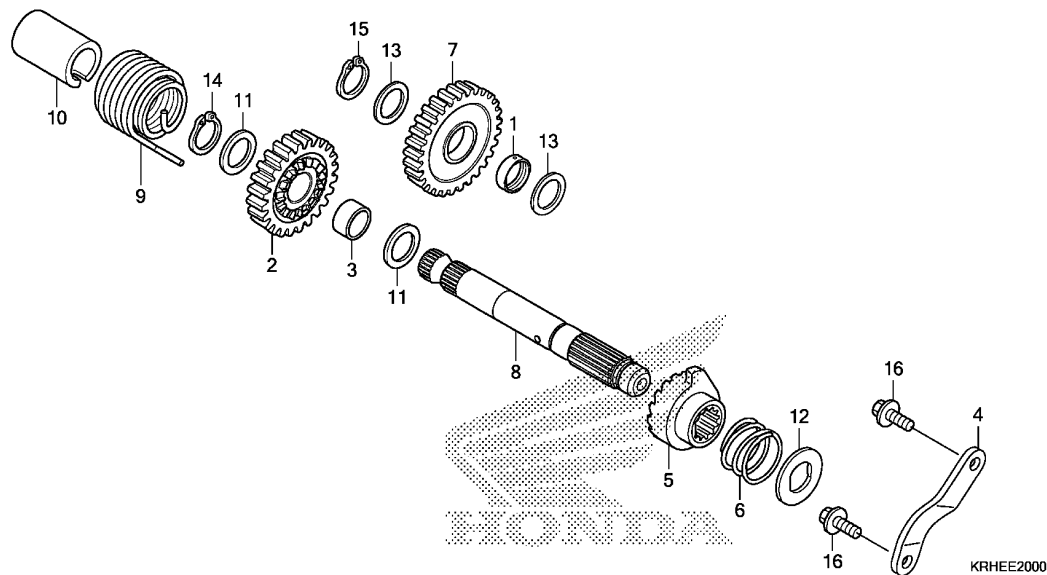


Ref. No.	L.O.N.	(Relative ref. Number) Description	F.R.T.
1	(2)	210112 FORK, GEARSHIFT	3.7
		.INCLUDES: Engine removal and installation .NOTE: Same time for two units or more	
5	2101A9	DRUM, GEARSHIFT	3.7
		.INCLUDES: Engine removal and installation	
6	2101D6	PLATE, GEARSHIFT DRUM STOPPER (8)	1.1
7	210125	STOPPER OR SPRING, SHIFT DRUM (10)	1.1
9	210122	SPINDLE, GEARSHIFT	1.0

KRHEE1900

Ref. No.	Part No.	Description	Reqd. QTY			Serial No.	Parts catalogue code
			XR125 LEK C	LK C	XL125 LK C		
1	24211-KTT-900	FORK, GEARSHIFT	2	2	2		
2	24212-KVX-600	FORK, CENTER GEARSHIFT	1	1	1		
3	24241-KRM-840	SHAFT A, GEARSHIFT FORK	1	1	1		
4	24242-KRM-840	SHAFT B, GEARSHIFT FORK	1	1	1		
5	24301-KRH-780	DRUM, GEARSHIFT	1	1	1		
6	24410-KTT-900	PLATE COMP., GEARSHIFT DRUM STOPPER	1	1	1		
7	24430-KRM-B10	STOPPER COMP., GEARSHIFT DRUM	1	1	1		
8	24436-KRM-840	SPRING, SHIFT DRUM STOPPER ..	1	1	1		
9	24610-KRM-840	SPINDLE COMP., GEARSHIFT	1	1	1		
10	24651-KRM-840	SPRING, GEARSHIFT RETURN	1	1	1		
11	24652-KRM-840	PIN, SHIFT RETURN SPRING	1	1	1		
12	35751-KPH-900	CAP, CHANGE SWITCH CONTACT ..	1	1	1		
13	35752-KRM-840	SPRING, CHANGE SWITCH CONTACT	1	1	1		
14	90003-KVS-900	BOLT, HEX., 6X20	1	1	1		
15	90022-KRM-840	PIVOT, SHIFT DRUM STOPPER ARM	1	1	1		
16	90417-KRM-840	WASHER, DRUM STOPPER	1	1	1		
17	90457-KRM-840	WASHER, 14MM	1	1	1		
18	94510-14000	CIRCLIP, EXTERNAL, 14MM	1	1	1		
19	96220-30085	ROLLER, 3X8.5	2	2	2		

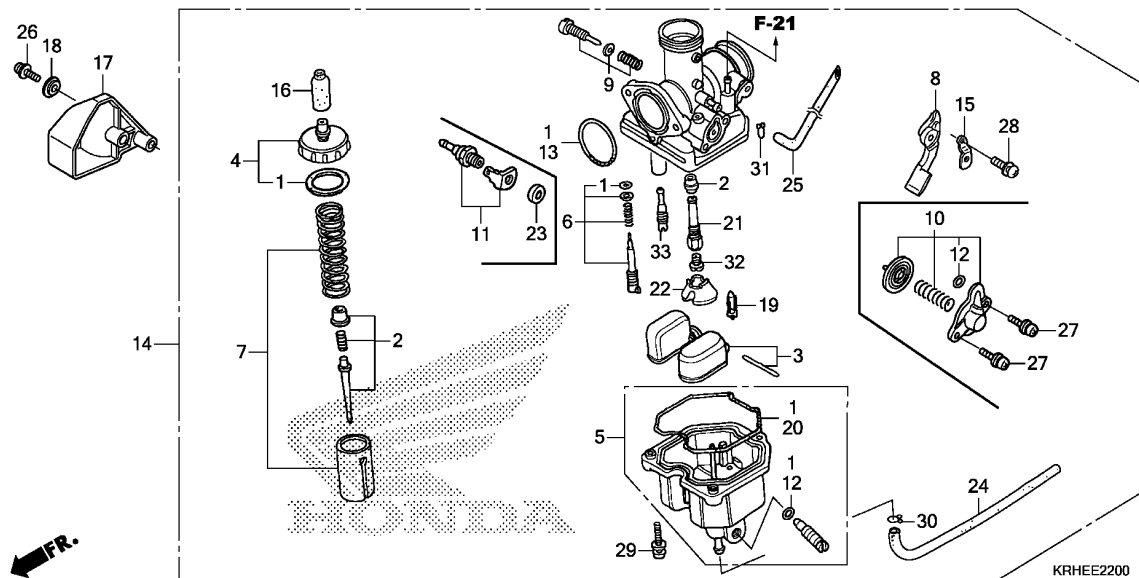




Ref. No.	L.O.N.	(Relative ref. Number) Description	F.R.T.
2	1121A0	PINION, KICK STARTER	0.7
5	1121A1	RATCHET, KICK(RECOIL) STARTER	0.7
7	612135	GEAR, STARTER IDLE	1.0
8	1121A2	SPINDLE, KICK STARTER	0.7
9	112103	SPRING, KICK STARTER RETURN ..	0.7

Ref. No.	Part No.	Description	Reqd. QTY			Serial No.	Parts catalogue code
			XR125 LEK C	XL125 LK C	XL125 LK C		
1	23427-KRM-840	BUSH, 17X20.5X8.0	1	1	1		
2	28211-KVS-600	PINION, KICK STARTER(24T) ...	1	1	1		
3	28212-KVS-600	COLLAR, 18.5MM	1	1	1		
4	28215-KWK-900	PLATE, KICK STOPPER	1	1	1		
5	28221-KRM-840	RATCHET, STARTER	1	1	1		
6	28223-KRM-840	SPRING, RATCHET	1	1	1		
7	28231-KWK-900	GEAR, KICK STARTER IDLE(29T)	1	1	1		
8	28251-KWG-600	SPINDLE, KICK STARTER	1	1	1		
9	28261-KRM-840	SPRING, KICK RETURN	1	1	1		
10	28282-KRM-840	COLLAR, KICK SPRING	1	1	1		
11	90451-KRM-840	WASHER, THRUST, 16MM	2	2	2		
12	90455-KRM-840	WASHER, SPECIAL, 14MM	1	1	1		
13	90458-KVS-900	WASHER, THRUST, 17MM	2	2	2		
14	90602-KPT-900	CIRCLIP, EXTERNAL, 16MM	1	1	1		
	94510-16000	1	1	1		
15	90602-KRM-840	CIRCLIP, EXTERNAL, 17MM	1	1	1		
16	95701-06016-00	BOLT, FLANGE, 6X16	2	2	2		



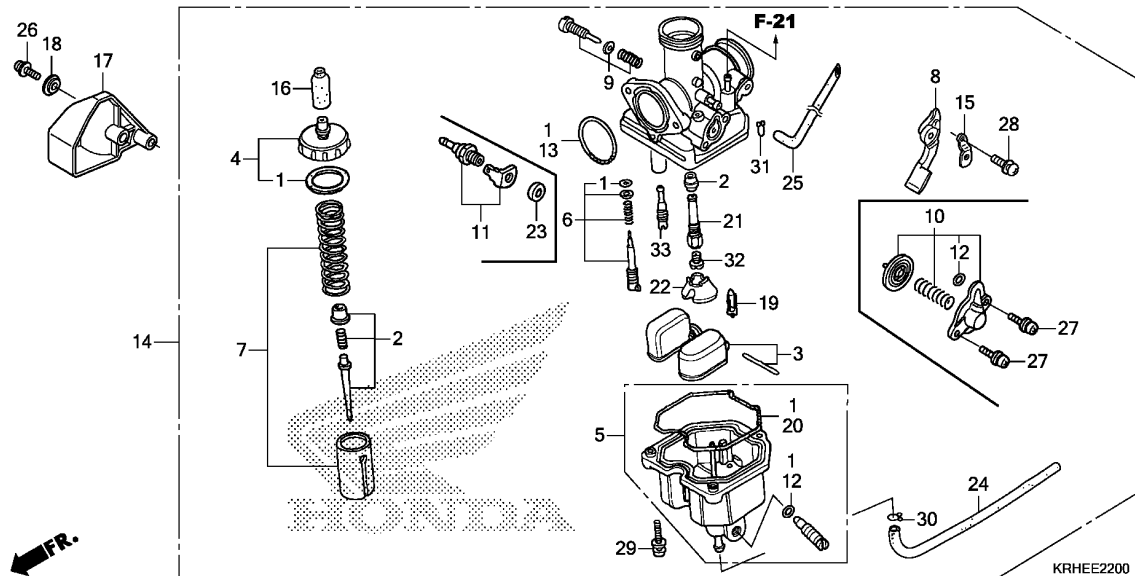


Ref. No.	L.O.N.	(Relative ref. Number) Description	F.R.T.
2	3111A3	NEEDLE, JET	0.6
3		(19)	
	311120	FLOAT OR FLOAT VALVE	0.5
4	3111A5	TOP SET, CARBURETOR	0.3
5	3111A6	CHAMBER, FLOAT	0.4
7	3111A8	VALVE, THROTTLE	0.4
8	3111F7	LEVER, CHOKE :CARBURETOR SIDE	0.1
10	3111B8	VALVE, AIR CUT	0.1
11	3111B4	HEATER, CARBURETOR	0.2
14	3111B5	CARBURETOR ASSEMBLY	0.5
32		(21,33)	
	3111D4	JET, MAIN	0.5

Ref. No.	Part No.	Description	Reqd. QTY			Serial No.	Parts catalogue code
			XR125 LEK C	XL125 LK C	LK C		
1	16010-KCH-780	GASKET SET	1	1	1		
2	16012-KRH-781	NEEDLE SET, JET	1	1	1		
3	16013-KEH-900	FLOAT SET	1	1	1		
4	16014-KGA-901	TOP SET	1	1	1		
5	16015-KRG-003	CHAMBER SET, FLOAT	1	1	1		
6	16016-KRE-901	SCREW SET A	1	1	1		
7	16022-KRH-781	VALVE SET, THROTTLE	1	1	1		
8	16025-KRF-B41	LEVER SET, CHOKE	1	1	1		
9	16028-KEH-900	SCREW SET B	1	1	1		
10	16048-KRH-A01	VALVE SET, AIR CUT	1	1	-		
11	16070-KRH-901	HEATER ASSY.	1	1	1	-----	1LA,2DK,DK,NZ
12	16075-GHB-640	O-RING, 1.3X4.3	2	2	1		
13	16075-GHB-B70	O-RING, 2.4X29	1	1	1		
14	16100-KRH-A01	CARBURETOR ASSY(PDN2H A)	1	1	-	-----	1LA,DK,NZ
	16100-KRH-A11	CARBURETOR ASSY(PDN2J A)	1	1	-	-----	3LA
	16100-KRH-A21	CARBURETOR ASSY(PDN2K A)	1	-	-	-----	CO
	16100-KRH-781	CARBURETOR ASSY(PDN2G A)	-	-	1		
15	16119-KRF-B41	PLATE, SETTING	1	1	1		
16	16148-KB1-921	CAP, CABLE SEALING	1	1	1		
17	16151-KRH-950	COVER, CARBURETOR HEATER	1	1	1	-----	1LA,2DK,DK,NZ
18	16152-KRH-900	COLLAR, CARBURETOR HEATER COVER	1	1	1	-----	1LA,2DK,DK,NZ
19	16155-KFR-701	VALVE COMP., FLOAT	1	1	1		
20	16163-KCS-920	GASKET, FLOAT CHAMBER	1	1	1		
21	16165-KRH-781	HOLDER, NEEDLE JET	1	1	1		



2

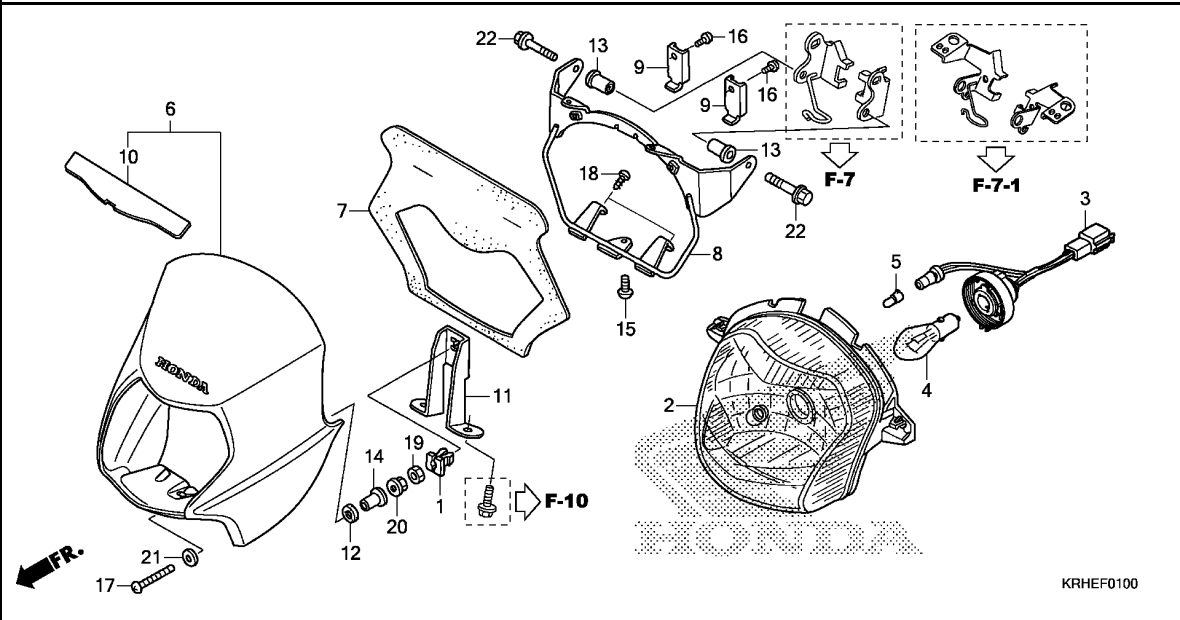


Ref. No.	Part No.	Description	Reqd. QTY			Serial No.	Parts catalogue code
			XR125 LEK C	XL125 LK C	XL125 LK C		
22	16168-382-014	HOLDER, JET	1	1	1		
23	16172-KCP-J01	COLLAR, SETTING	1	1	1	-----	----- 1LA,2DK,DK,NZ
24	16198-KRE-901	TUBE	1	1	1		
25	16199-KRH-781	TUBE COMP., AIR VENT	1	1	1		
26	90001-KGA-E00	SCREW-WASHER, 4X12	1	1	1	-----	----- 1LA,2DK,DK,NZ
27	93892-04010-10	SCREW-WASHER, 4X10	2	2	-		
28	93892-04010-18	SCREW-WASHER, 4X10	1	1	1		
29	93892-04016-08	SCREW-WASHER, 4X16	3	3	3		
30	95002-02079	CLIP, TUBE(B7)	1	1	1		
31	95002-02089	CLIP, TUBE(B8)	1	1	1		
32	99101-GHB-0980	JET, MAIN, #98	1	1	1		
33	99103-KWG-0380	JET, SLOW, #38	1	1	1		

F-1

HEADLIGHT

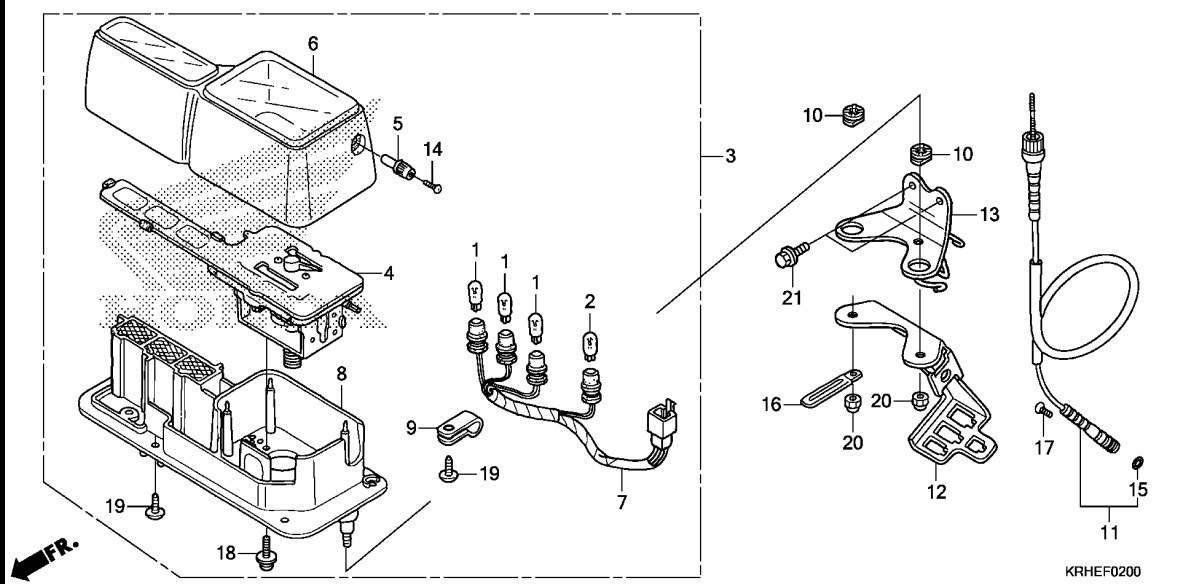
G 1



Ref. No.	L.O.N.	(Relative ref. Number) Description	F.R.T.
2	6161A7	HEADLIGHT UNIT	0.2
3	6161B1	SOCKET, HEADLIGHT	0.1
4	616118	BULB, HEADLIGHT	0.1
5	616182	BULB, POSITION LIGHT	0.1
6	4111L3	COWL, FRONT CENTER	0.2
8	6161G7	STAY, HEADLIGHT	0.2

Ref. No.	Part No.	Description	Reqd. QTY			Serial No.	Parts catalogue code
			XR125 LEK C	XL125 LK C	XL125 LK C		
1	33118-KRH-901	NUT, BEAM ADJUSTING	1	1	1		
2	33120-KRH-901	HEADLIGHT UNIT	1	1	1		
3	33130-KRH-901	SOCKET COMP., HEADLIGHT	1	1	1		
4	34901-KPN-B01	BULB, HEADLIGHT(12V 35/35W)	1	1	1		
5	34903-KRH-901	BULB, POSITION LIGHT(12V 4W)	1	1	1		
6	61300-KRH-900ZB	VISOR SET, FR.(WL)					
	NH196ROSS WHITE	1	1	1		
	61300-KRH-900ZC	*R134*.....FIGHTING RED	1	1	1		
	61300-KRH-900ZA	*NH1*.....BLACK	1	1	-		
7	61303-KRH-900	RUBBER, INNER VISOR	1	1	1		
8	61305-KRH-900	PLATE COMP., INNER VISOR FR.	1	1	1		
9	61306-KRH-900	HOLDER	2	2	2		
10	61309-KRH-D20	SHEET, HEADLIGHT SHADE	1	1	1		
11	61313-KRH-900	STAY, HEADLIGHT LOWER	1	1	1		
12	84708-KPM-000	WASHER, RUBBER	1	1	1		
13	90111-KFB-000	NUT, SPECIAL, 6X1.0	2	2	2		
14	90522-028-000	WASHER, CHAIN CASE SETTING ..	1	1	1		
15	93500-04008-0A	SCREW, PAN, 4X8	1	1	1		
16	93500-05012-0A	SCREW, PAN, 5X12	2	2	2		
17	93500-05050-0G	SCREW, PAN, 5X50	1	1	1		
18	93911-24120	SCREW, TAPPING, 4X10(PO)	4	4	4		
19	94001-05000-0S	NUT, HEX., 5MM	1	1	1		
20	94050-05000	NUT, FLANGE, 5MM	1	1	1		
21	94103-05700	WASHER, PLAIN, 5MM	1	1	1		
22	95701-06018-07	BOLT, FLANGE, 6X18	2	2	2		





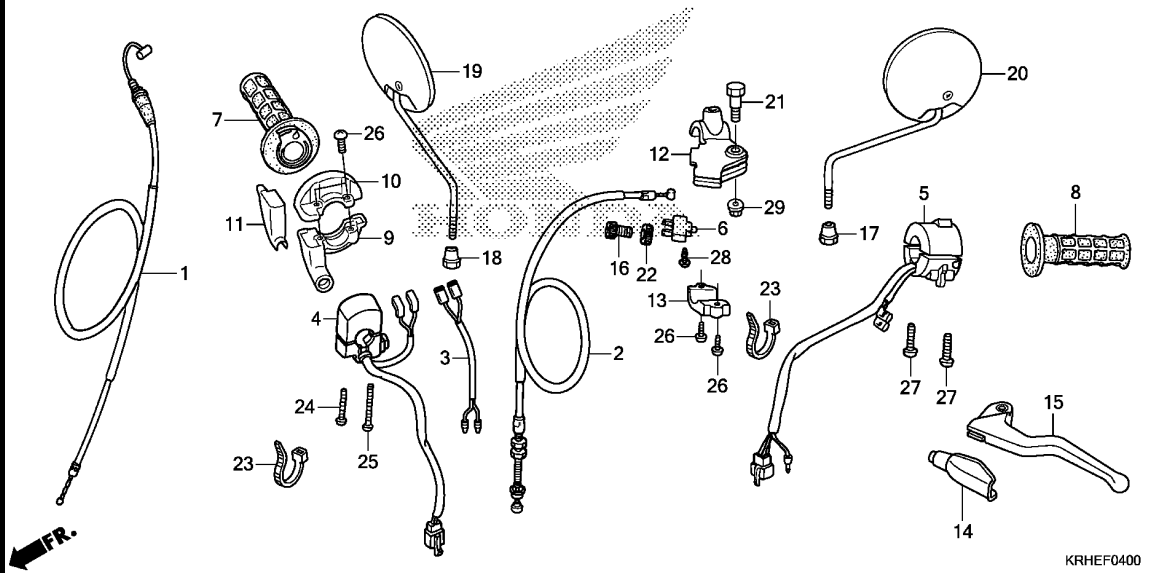
Ref. No.	L.O.N.	(Relative ref. Number) Description	F.R.T.
3	8121A1	METER ASSY., COMBINATION	0.3
4	8121A3	SPEEDOMETER ASSEMBLY	0.4
6	8121B4	CASE, METER :UPPER	0.4
7	6161G4	SOCKET ASSY., METER BULB	0.3
8	8121B5	CASE, METER :LOWER	0.4
11	811160	CABLE, SPEEDOMETER	0.2
13	8121A4	BRACKET, METER	0.2

Ref. No.	Part No.	Description	Reqd. QTY			Serial No.	Parts catalogue code
			XR125 LEK C	LK C	XL125 LK C		
1	34908-KYA-601	BULB, WEDGE BASE(T10) (12V 3.4W)	3	3	3		
2	34910-GFM-901	BULB, WEDGE BASE(T10) (12V 1.7W)	1	1	1		
3	37200-KRH-901	SPEEDOMETER ASSY. (KPH)	1	1	-		
	37200-KRH-781	-	-	1		
4	37210-KRH-901	SPEEDOMETER COMP.	1	1	-		
	37210-KRH-781	-	-	1		
5	37213-KRH-901	KNOB, TRIP	1	1	1		
6	37220-KRH-901	CASE ASSY., UPPER	1	1	1		
7	37223-KRH-901	SOCKET COMP.	1	1	1		
8	37230-KRH-901	CASE ASSY., UNDER	1	1	1		
9	37233-KRH-901	CLAMP	1	1	1		
10	37243-MG2-000	RUBBER, SPEEDOMETER MOUNTING	2	2	2		
11	44830-KRH-900	CABLE ASSY., SPEEDOMETER	1	1	-		
	44830-KRH-780	-	-	1		
12	61307-KRH-900	STAY, COUPLER	1	1	1		
13	61317-KRH-900	STAY, SPEEDOMETER	1	1	1		
14	90158-KCJ-710	SCREW, PAN, 2X6	1	1	1		
15	91256-KK3-840	O-RING, 10X1.5	1	1	1		
16	91406-166-000	CLIP, WIRE	1	1	1		
17	93700-05018-1A	SCREW, OVAL, 5X18	1	1	-		
18	93893-04010-08	SCREW-WASHER, 4X10	2	2	2		
19	93903-24320	SCREW, TAPPING, 4X12	5	5	5		
20	94021-06000-0S	NUT, CAP, 6MM	2	2	2		
21	95701-06012-00	BOLT, FLANGE, 6X12	2	2	2		

F-4

HANDLE LEVER/SWITCH/CABLE/MIRROR(XR125LEK/LK)

G 3



Ref. No.	L.O.N.	(Relative ref. Number) Description	F.R.T.
1	811100	CABLE, THROTTLE	0.3
2	811115	CABLE, CLUTCH	0.2
4	615120	SWITCH, STARTER KILL	0.2
5	615118	SWITCH, WINKER	0.4
6	6151A9	SWITCH, CLUTCH	0.1
7	810150	GRIP, THROTTLE	0.1
8	8101C0	GRIP, HANDLE :LEFT	0.1
9	810155	HOUSING, THROTTLE	0.1
12	8101C8	BRACKET, HANDLE LEVER :LEFT ..	0.2
15	8101C6	LEVER, HANDLE :LEFT	0.1
	8101F5	LEVER, HANDLE :BOTH	0.2

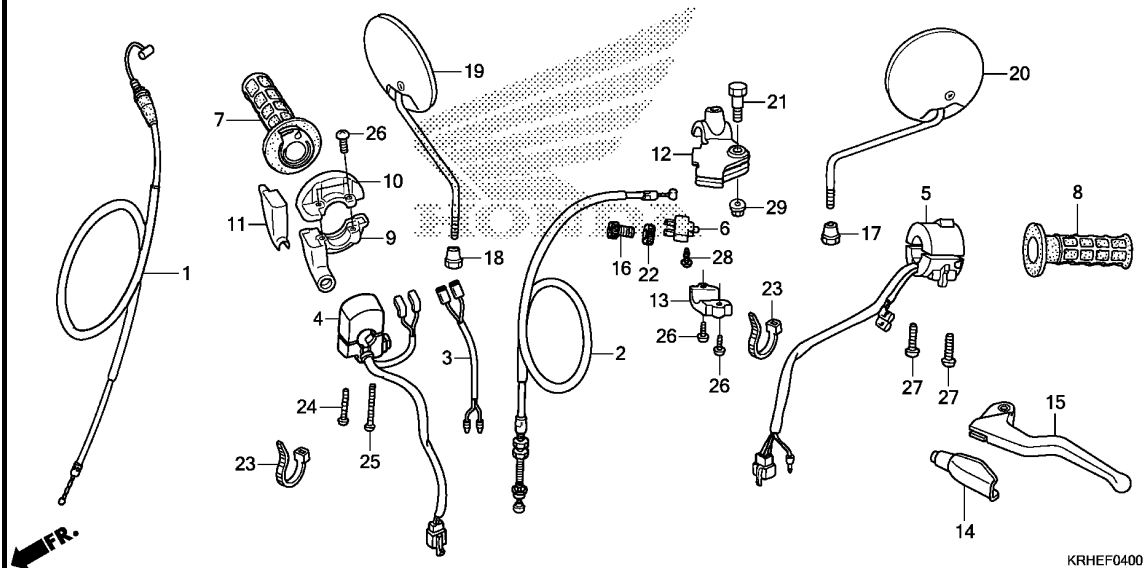
Ref. No.	Part No.	Description	Reqd. QTY			Serial No.	Parts catalogue code
			XR125 LEK C	XL125 LK C	XL125 LK C		
1	17910-KRH-A00	CABLE COMP., THROTTLE	1	1	-		
2	22870-KRH-780	CABLE COMP., CLUTCH	1	1	-		
3	32101-KRH-B00	SUB CORD, FR. STOP SWITCH ...	-	1	-		
4	35131-KRH-A01	SWITCH COMP., START	1	-	-		
5	35201-KRH-901	SWITCH COMP., WINKER	1	-	-		
	35200-KRH-781	SWITCH ASSY., WINKER	-	1	-		
6	35330-KRH-901	SWITCH ASSY., CLUTCH	1	-	-		
7	53140-KB9-752	GRIP ASSY., THROTTLE	1	1	-		
8	53166-MK5-010	GRIP, L. HANDLE	1	1	-		
9	53167-KRH-920	HOUSING, UPPER THROTTLE	1	1	-		
10	53168-KRH-920	HOUSING, LOWER THROTTLE	1	1	-		
		(UPPER)					
11	53169-KRH-900	SLIDER, THROTTLE	1	1	-		
12	53172-KRH-900	BRACKET, L. HANDLE LEVER	1	1	-		
13	53174-KRH-900	HOLDER, L. LEVER BRACKET	1	1	-		
14	53177-KRH-900	COVER, L. HANDLE LEVER	1	1	-		
15	53178-KRH-900	LEVER, L. STEERING HANDLE ...	1	1	-		
16	53192-KRH-900	BOLT, WIRE ADJUSTING	1	1	-		
17	88111-KRH-901	NUT, LOCK(LH) (RIGHT HAND THREAD)	1	1	-		
18	88112-KRH-901	NUT, LOCK(RH) (LEFT HAND THREAD)	1	1	-		
19	88210-KRH-900	MIRROR COMP., R.	1	1	-		
20	88220-KRH-900	MIRROR COMP., L.	1	1	-		

3

F-4

HANDLE LEVER/SWITCH/CABLE/MIRROR(XR125LEK/LK)

G 4

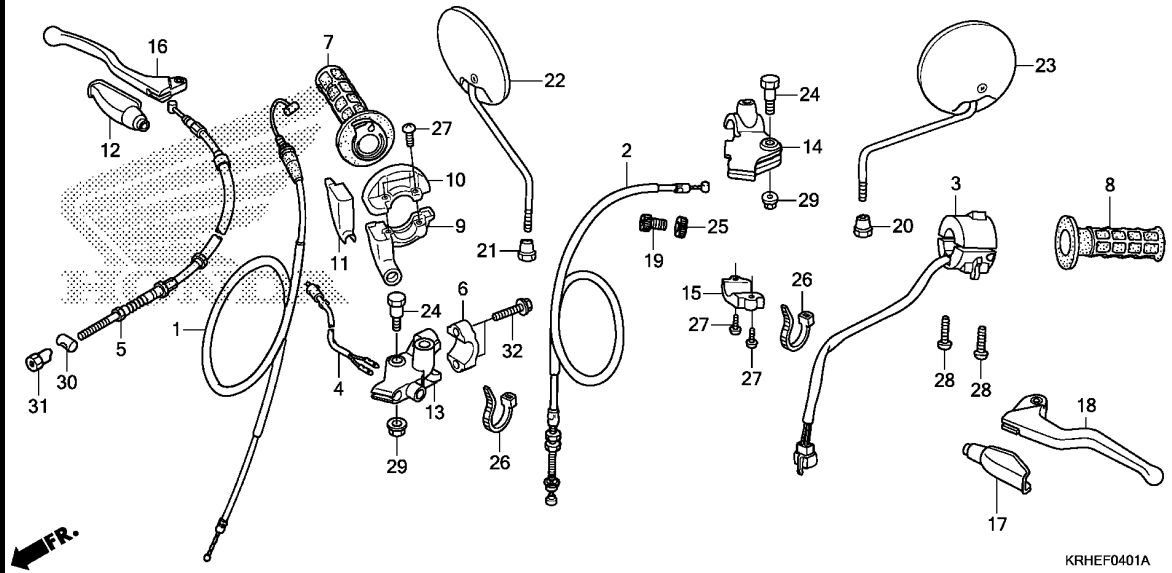


Ref. No.	Part No.	Description	Reqd. QTY			Serial No.	Parts catalogue code
			XR125 LEK	XL125 LK	XL125 LK		
21	90113-KRH-900	BOLT, HANDLE LEVER PIVOT	1	1	-		
22	90322-KRH-900	NUT, FIXING	1	1	-		
23	90650-KW3-000	BAND, WIRE	2	2	-		
24	93500-04032-0G	SCREW, PAN, 4X32	1	-	-		
25	93500-04045-0G	SCREW, PAN, 4X45	1	-	-		
26	93500-05016-0G	SCREW, PAN, 5X16	4	4	-		
27	93500-05020-0G	SCREW, PAN, 5X20	2	2	-		
28	93901-32320	SCREW, TAPPING, 3X12	1	-	-		
29	94050-06000	NUT, FLANGE, 6MM	1	1	-		

F-4-1

HANDLE LEVER/SWITCH/CABLE/MIRROR(XL125LK)

G 5



Ref. No.	L.O.N.	(Relative ref. Number) Description	F.R.T.
1	811100	CABLE, THROTTLE	0.3
2	811115	CABLE, CLUTCH	0.2
3	615118	SWITCH, WINKER	0.4
4	6151B2	SWITCH, FRONT STOP	0.3
5	811125	CABLE, FRONT BRAKE	0.2
7	810150	GRIP, THROTTLE	0.1
8	8101C0	GRIP, HANDLE :LEFT	0.1
9	810155	HOUSING, THROTTLE	0.1
13	8101C9	BRACKET, HANDLE LEVER :RIGHT ..	0.2
14	8101C8	BRACKET, HANDLE LEVER :LEFT ..	0.2
16	8101C7	LEVER, HANDLE :RIGHT	0.1
18	8101C6	LEVER, HANDLE :LEFT	0.1
	8101F5	LEVER, HANDLE :BOTH	0.2

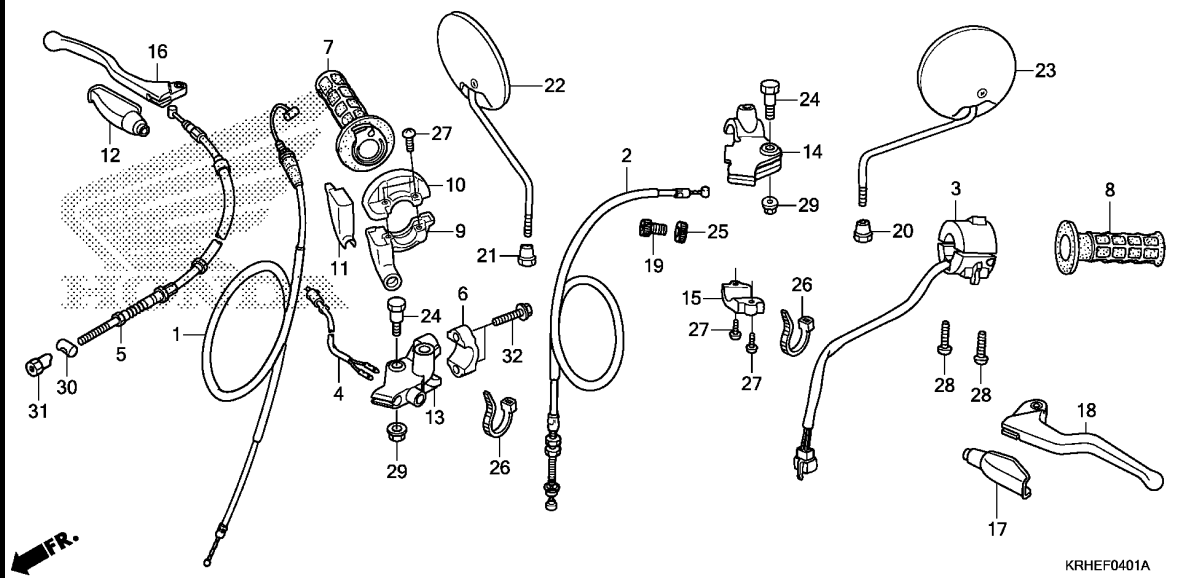
Ref. No.	Part No.	Description	Reqd. QTY			Serial No.	Parts catalogue code
			XR125 LEK C	LK C	XL125 LK C		
1	17910-KRH-780	CABLE COMP., THROTTLE	-	-	1		
2	22870-KRH-780	CABLE COMP., CLUTCH	-	-	1		
3	35200-KRH-781	SWITCH ASSY., WINKER	-	-	1		
4	35340-KRH-781	SWITCH ASSY., FR. STOP	-	-	1		
5	45450-KRH-781	CABLE COMP., FR. BRAKE	-	-	1		
6	45517-KCS-W60	HOLDER, MASTER CYLINDER	-	-	1		
7	53140-KB9-752	GRIP ASSY., THROTTLE	-	-	1		
8	53166-MK5-010	GRIP, L. HANDLE	-	-	1		
9	53167-KRH-920	HOUSING, UPPER THROTTLE	-	-	1		
10	53168-KRH-920	HOUSING, LOWER THROTTLE	-	-	1		
11	53169-KRH-900	SLIDER, THROTTLE	-	-	1		
12	53171-402-700	COVER, R. HANDLE LEVER	-	-	1		
13	53171-KRH-780	BRACKET, R. HANDLE LEVER	-	-	1		
14	53172-KRH-900	BRACKET, L. HANDLE LEVER	-	-	1		
15	53174-KRH-900	HOLDER, L. LEVER BRACKET	-	-	1		
16	53175-KRH-780	LEVER, R. STEERING HANDLE ...	-	-	1		
17	53177-KRH-900	COVER, L. HANDLE LEVER	-	-	1		
18	53178-KRH-900	LEVER, L. STEERING HANDLE ...	-	-	1		
19	53192-KRH-900	BOLT, WIRE ADJUSTING	-	-	1		
20	88111-KRH-901	NUT, LOCK(LH) (RIGHT HAND THREAD)	-	-	1		
21	88112-KRH-901	NUT, LOCK(RH) (LEFT HAND THREAD)	-	-	1		

3

F-4-1

HANDLE LEVER/SWITCH/CABLE/MIRROR(XL125LK)

G 6

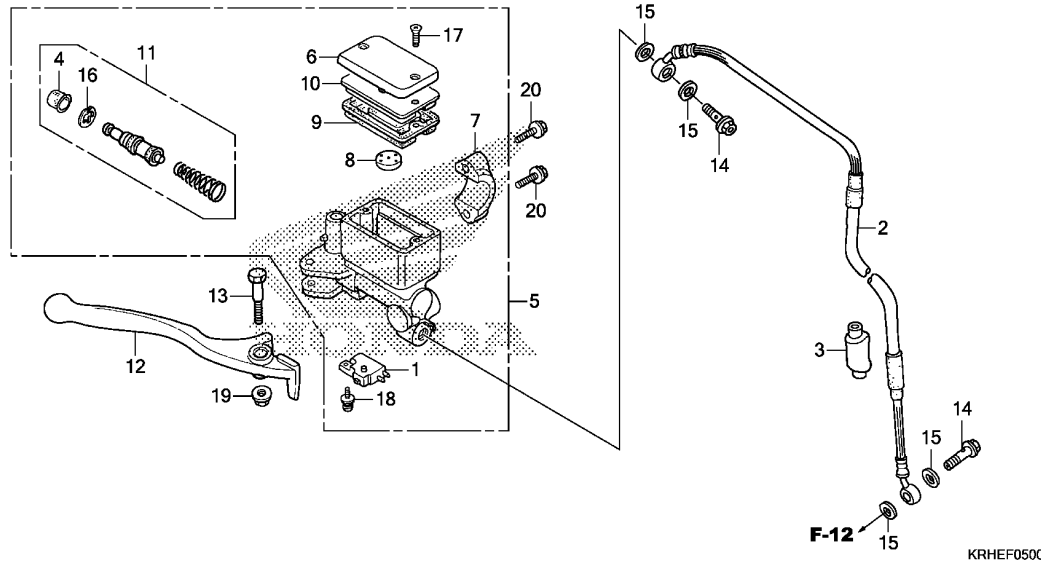
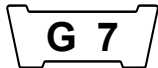


Ref. No.	Part No.	Description	Reqd. QTY			Serial No.	Parts catalogue code
			XR125 LEK	XL125 LK	XL125 LK C		
22	88210-KRH-780	MIRROR COMP., R.	-	-	1		
23	88220-KRH-780	MIRROR COMP., L.	-	-	1		
24	90113-KRH-900	BOLT, HANDLE LEVER PIVOT	-	-	2		
25	90322-KRH-900	NUT, FIXING	-	-	1		
26	90650-KW3-000	BAND, WIRE	-	-	2		
27	93500-05016-0G	SCREW, PAN, 5X16	-	-	4		
28	93500-05020-0G	SCREW, PAN, 5X20	-	-	2		
29	94050-06000	NUT, FLANGE, 6MM	-	-	2		
30	95015-32001	JOINT B, BRAKE ARM	-	-	1		
31	95015-42000	NUT B, BRAKE ROD ADJUSTING ..	-	-	1		
32	95701-06022-07	BOLT, FLANGE, 6X22	-	-	2		

3

F-5

FRONT BRAKE MASTER CYLINDER



Ref. No.	L.O.N.	(Relative ref. Number) Description	F.R.T.
1	6151B2	SWITCH, FRONT STOP	0.1
2	7121A0	HOSE, FRONT BRAKE	0.4
		.INCLUDES: Bleed brakes	
5	712105	CYLINDER, FRONT BRAKE MASTER	0.4
		.INCLUDES: Bleed brakes	
9	7121G6	DIAPHRAGM, FRONT BRAKE MASTER CYLINDER	0.1
11	7121G9	PISTON SET, FRONT BRAKE MASTER	0.4
		.INCLUDES: Bleed brakes	
12	8101C7	LEVER, HANDLE :RIGHT	0.1
	8101F5	LEVER, HANDLE :BOTH	0.2

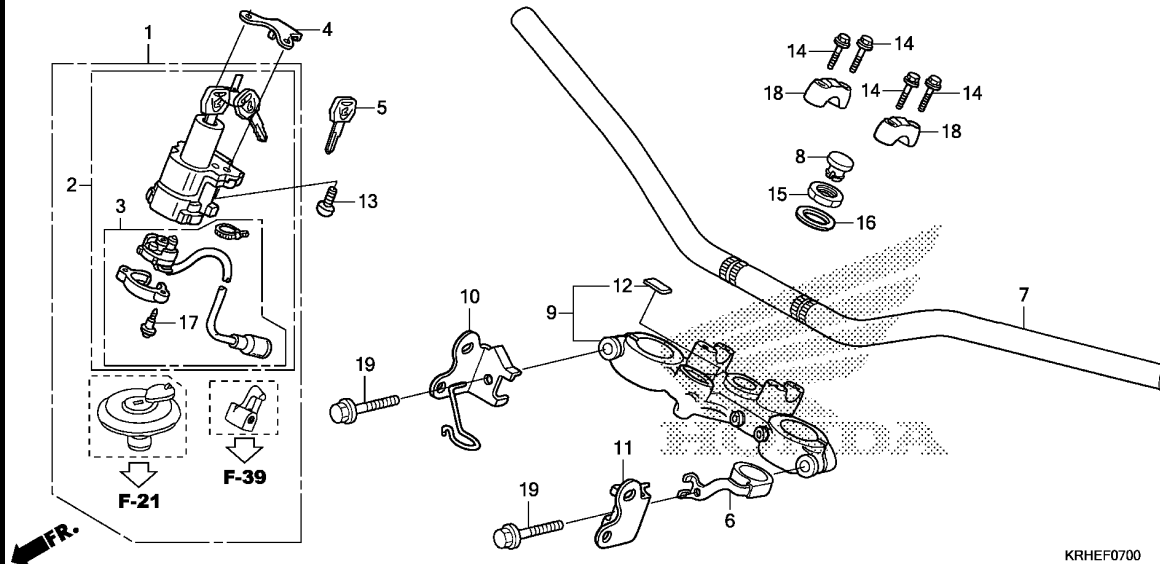
Ref. No.	Part No.	Description	Reqd. QTY			Serial No.	Parts catalogue code
			XR125 LEK C	XL125 LK C	XL125 LK C		
1	35340-MM5-600	SWITCH ASSY., FR. STOP	1	1	-		
2	45125-KRE-921	HOSE COMP., FR. BRAKE	1	1	-		
3	45463-KRH-000	COVER, BRAKE HOSE CLAMPER ...	1	1	-		
4	45504-410-003	BOOT COMP.	1	1	-		
5	45510-KRH-901	CYLINDER SUB ASSY., FR. BRAKE MASTER	1	1	-		
6	45513-HA2-006	CAP, MASTER CYLINDER	1	1	-		
7	45517-166-006	HOLDER, MASTER CYLINDER	1	1	-		
8	45518-MG3-016	SEPARATOR COMP.	1	1	-		
9	45520-MG7-006	DIAPHRAGM	1	1	-		
10	45521-HA2-006	PLATE, DIAPHRAGM	1	1	-		
11	45530-KRH-305	CYLINDER SET, MASTER	1	1	-		
12	53175-KRH-901	LEVER, R. STEERING HANDLE ...	1	1	-		
13	90114-166-006	BOLT, HANDLE LEVER PIVOT	1	1	-		
14	90145-KRH-901	BOLT, OIL, 10X22	2	2	-		
15	90545-300-000	WASHER, OIL BOLT	4	4	-		
16	90651-MA5-671	CIRCLIP	1	1	-		
17	93600-04012-16	SCREW, FLAT, 4X12	2	2	-		
18	93893-04012-17	SCREW-WASHER, 4X12	1	1	-		
19	94050-06000	NUT, FLANGE, 6MM	1	1	-		
20	96001-06022-00	BOLT, FLANGE, 6X22	2	2	-		



F-7

HANDLE PIPE/TOP BRIDGE(XR125LEK/LK)

G 8



Ref. No.	L.O.N.	(Relative ref. Number) Description	F.R.T.
1	6151A1	KEY SET	0.7
2	615145	SWITCH, COMBINATION & LOCK ...	0.6
3	6151C2	BASE, CONTACT	0.4
7	810100	PIPE, STEERING HANDLE	0.4
9	510110	BRIDGE, FORK TOP	0.5

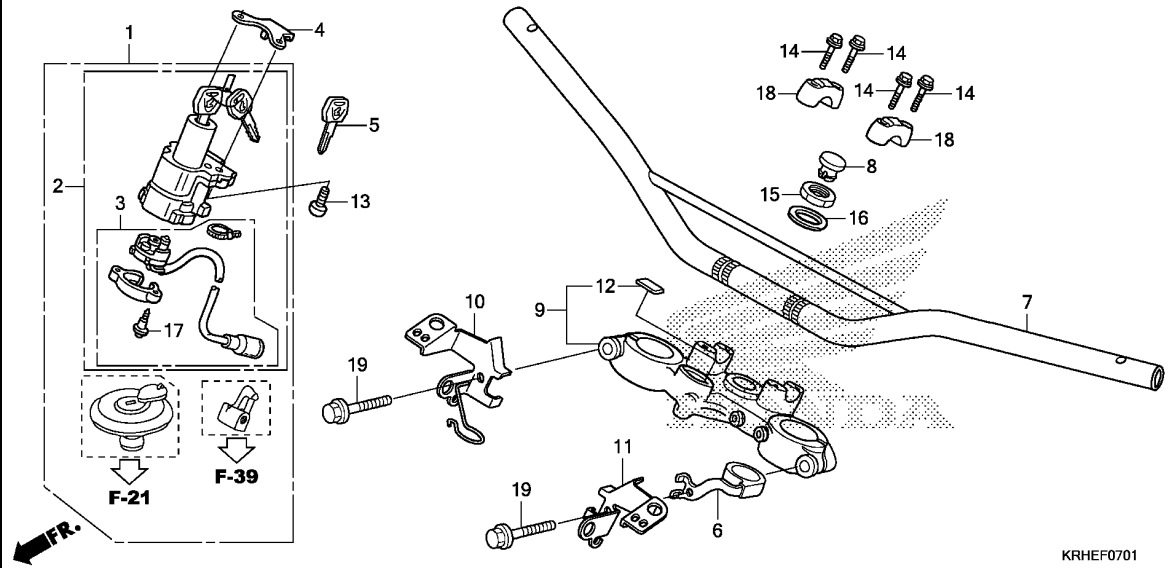
3

Ref. No.	Part No.	Description	Reqd. QTY			Serial No.	Parts catalogue code
			XR125 LEK C	XL125 LK C	XL125 LK C		
1	35010-KRH-900	KEY SET	1	1	-		
2	35100-KRH-901	SWITCH ASSY., COMBINATION & LOCK	1	1	-		
3	35101-KRH-901	BASE COMP., CONTACT	1	1	-		
4	35106-KRH-900	COVER, COMBINATION SWITCH ...	1	1	-		
5	35121-KRH-900	KEY COMP.	(1)	(1)	-		
6	45470-KRE-900	GUIDE COMP., BRAKE HOSE(UPPER)	1	1	-		
7	53100-KRH-900ZA	PIPE, STEERING HANDLE *NH1*.....BLACK	1	1	-		
8	53208-KCH-900	CAP, STEERING STEM	1	1	-		
9	53300-KRH-900	BRIDGE COMP., FORK TOP	1	1	-		
10	61311-KRH-900	STAY, R. HEADLIGHT	1	1	-		
11	61312-KRH-900	STAY, L. HEADLIGHT	1	1	-		
12	86150-KPG-901	EMBLEM, PRODUCT(MARUI)	1	1	-		
	86150-KPG-902	EMBLEM, PRODUCT(UEHARA)	1	1	-		
13	90107-MBG-000	BOLT, ONE-WAY, 8MM	2	2	-		
14	90111-KRH-900	BOLT, FLANGE, 8X36	4	4	-		
15	90308-KRH-900	NUT, STEERING STEM	1	1	-		
16	90503-KRH-900	WASHER, STEERING STEM	1	1	-		
17	91059-GFM-901	SCREW, TAPPING, 3X16	3	3	-		
18	95014-22200	HOLDER B2, HANDLE PIPE UPPER	2	2	-		
19	95701-08045-07	BOLT, FLANGE, 8X45	2	2	-		

F-7-1

HANDLE PIPE/TOP BRIDGE(XL125LK)

G 9



Ref. No.	L.O.N.	(Relative ref. Number) Description	F.R.T.
1	6151A1	KEY SET	0.7
2	615145	SWITCH, COMBINATION & LOCK ...	0.6
3	6151C2	BASE, CONTACT	0.4
7	810100	PIPE, STEERING HANDLE	0.4
9	510110	BRIDGE, FORK TOP	0.5

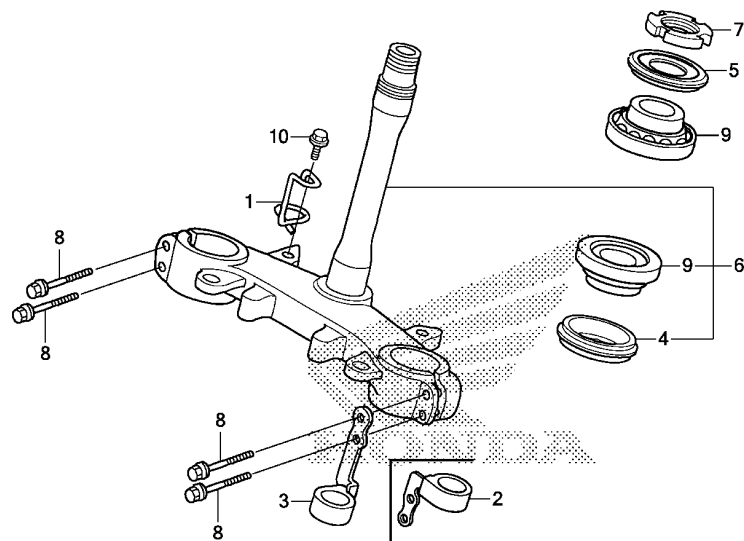
Ref. No.	Part No.	Description	Reqd. QTY			Serial No.	Parts catalogue code
			XR125 LEK C	XL125 LK C	XL125 LK C		
1	35010-KRH-900	KEY SET	-	-	1		
2	35100-KRH-901	SWITCH ASSY., COMBINATION & LOCK	-	-	1		
3	35101-KRH-901	BASE COMP., CONTACT	-	-	1		
4	35106-KRH-900	COVER, COMBINATION SWITCH ...	-	-	1		
5	35121-KRH-900	KEY COMP.	-	-	(1)		
6	45470-KRE-900	GUIDE COMP., BRAKE HOSE(UPPER)	-	-	1		
7	53100-KRH-780ZA	PIPE, STEERING HANDLE *NH1*.....BLACK	-	-	1		
8	53208-KCH-900	CAP, STEERING STEM	-	-	1		
9	53300-KRH-900	BRIDGE COMP., FORK TOP	-	-	1		
10	61311-KRH-780	STAY, R. HEADLIGHT	-	-	1		
11	61312-KRH-780	STAY, L. HEADLIGHT	-	-	1		
12	86150-KPG-901	EMBLEM, PRODUCT(MARUI)	-	-	1		
	86150-KPG-902	EMBLEM, PRODUCT(UEHARA)	-	-	1		
13	90107-MBG-000	BOLT, ONE-WAY, 8MM	-	-	2		
14	90111-KRH-900	BOLT, FLANGE, 8X36	-	-	4		
15	90308-KRH-900	NUT, STEERING STEM	-	-	1		
16	90503-KRH-900	WASHER, STEERING STEM	-	-	1		
17	91059-GFM-901	SCREW, TAPPING, 3X16	-	-	3		
18	95014-22200	HOLDER B2, HANDLE PIPE UPPER	-	-	2		
19	95701-08045-07	BOLT, FLANGE, 8X45	-	-	2		

3

F-9

STEERING STEM

G10



FR.

KRHEF0900

Ref. No.	L.O.N.	(Relative ref. Number) Description	F.R.T.
6	510100	STEM OR SHAFT ASSY., STEERING (5)	1.1
7	5101B2	THREAD, STEERING HEAD TOP (4)	0.5
9	5101B6	BEARING, HEAD PIPE :UPPER	1.1
	5101B7	BEARING, HEAD PIPE :LOWER	1.2
	5101C7	BEARING, HEAD PIPE :BOTH	1.2

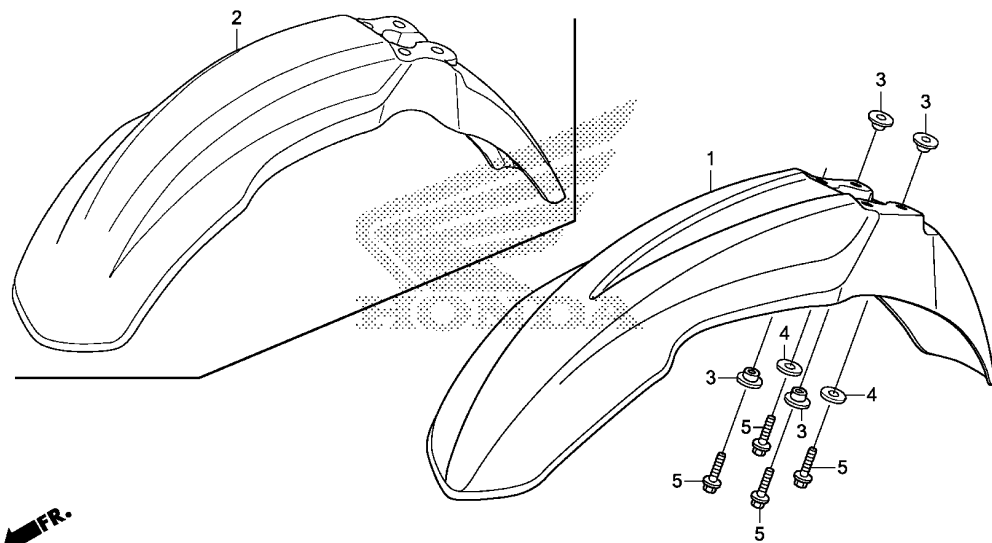
3

Ref. No.	Part No.	Description	Reqd. QTY			Serial No.	Parts catalogue code
			XR125 LEK	XL125 LK	XL125 LK		
			C	C	C		
1	44833-KRH-780	GUIDE, SPEEDOMETER CABLE	1	1	1		
2	45460-KRH-780	GUIDE, BRAKE CABLE LOWER	-	-	1		
3	45460-KRH-000	GUIDE COMP., LOWER BRAKE HOSE	1	1	-		
4	53214-KRH-901	DUST SEAL, STEERING HEAD	1	1	1		
5	53215-KRH-901	DUST SEAL, STEERING HEAD	1	1	1		
6	53219-KRH-900	STEM SUB ASSY., STEERING	1	1	1		
7	53229-KRH-900	THREAD, STEERING HEAD TOP ...	1	1	1		
8	90106-KRH-900	BOLT, FLANGE, 8X35	4	4	4		
9	91015-KRH-901	BEARING, HEAD PIPE	2	2	2		
10	95701-06012-00	BOLT, FLANGE, 6X12	1	1	1		

F-10

FRONT FENDER

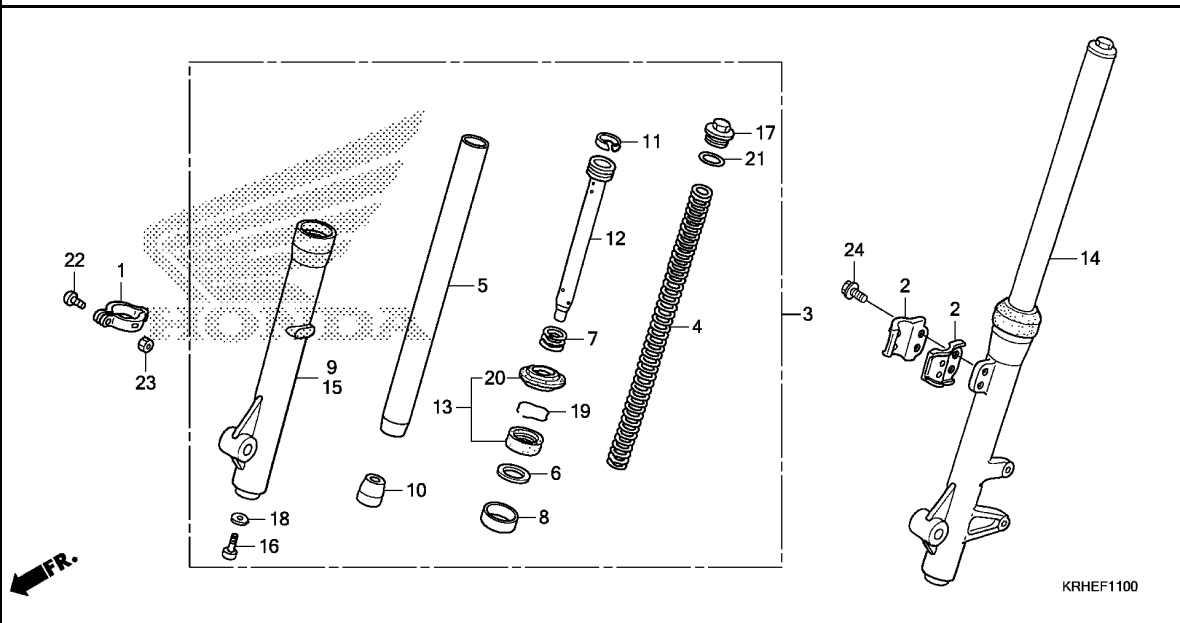
G11



Ref. No.	L.O.N.	(Relative ref. Number) Description	F.R.T.
1	(2)	4131B7 FENDER, FRONT	0.1

Ref. No.	Part No.	Description	Reqd. QTY			Serial No.	Parts catalogue code
			XR125 LEK C	XL125 LK C	XL125 LK C		
1	61100-KRH-780ZA	FENDER, FR.	-	-	1		
	R134FIGHTING RED	-	-	1		
	NH196ROSS WHITE	-	-	1		
2	61100-KRH-900ZA	FENDER, FR.					
	NH1BLACK	1	1	-		
	NH196ROSS WHITE	1	1	-		
	R134FIGHTING RED	1	1	-		
3	61104-KRH-900	COLLAR, FENDER MOUNTING	4	4	4		
4	90546-KRH-900	WASHER, 6.5X20	2	2	2		
5	95701-06025-00	BOLT, FLANGE, 6X25	4	4	4		

3



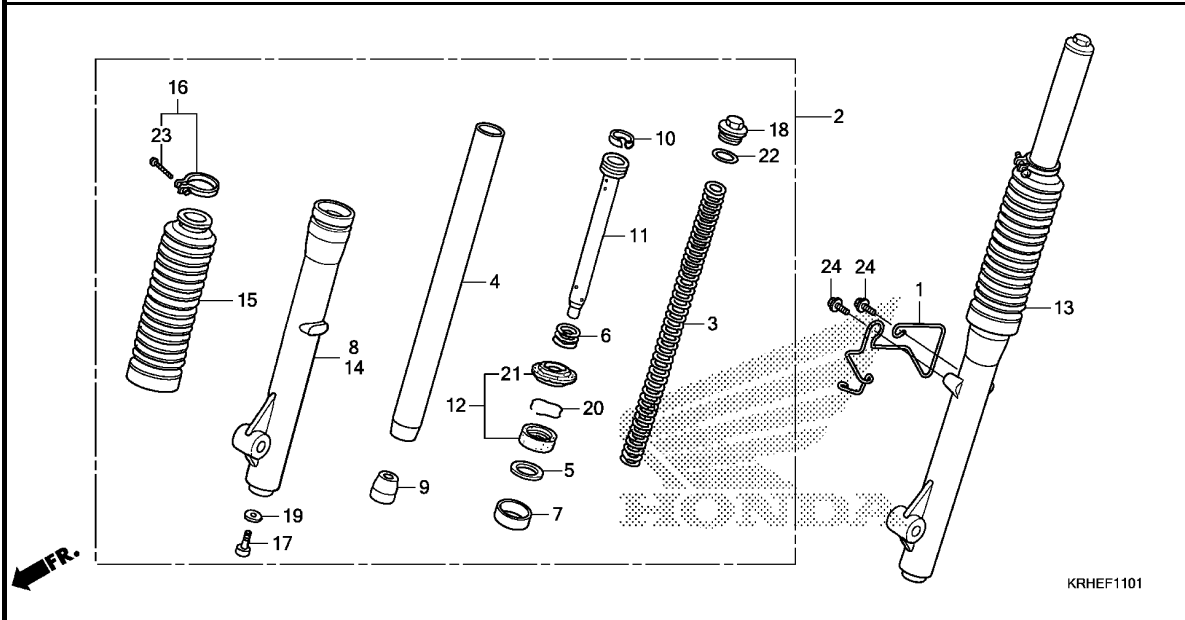
Ref. No.	L.O.N.	(Relative ref. Number) Description	F.R.T.
3	5111C3	FORK ASSY., FRONT :RIGHT	0.4
4	5111C5	SPRING, FRONT FORK :LEFT	0.2
	5111C6	SPRING, FRONT FORK :RIGHT	0.2
	5111C7	SPRING, FRONT FORK :BOTH	0.4
5		(7,8,10,11,12)	
	5111G2	PIPE, FRONT FORK :LEFT	0.8
	5111G3	PIPE, FRONT FORK :RIGHT	0.8
	5111G4	PIPE, FRONT FORK :BOTH	1.3
9	5111D2	CASE, BOTTOM :RIGHT	0.8
13	5111E7	SEAL SET, FRONT FORK :LEFT	0.8
	5111E8	SEAL SET, FRONT FORK :RIGHT	0.8
	5111E9	SEAL SET, FRONT FORK :BOTH	1.3
14	5111C2	FORK ASSY., FRONT :LEFT	0.4
	5111C4	FORK ASSY., FRONT :BOTH	0.6
15	5111D1	CASE, BOTTOM :LEFT	0.8
	5111D3	CASE, BOTTOM :BOTH	1.3

Ref. No.	Part No.	Description	Reqd. QTY			Serial No.	Parts catalogue code
			XR125 LEK	XL125 LK	XL125 LK		
			C	C	C		
1	44832-KRH-900	CLAMPER, SPEEDOMETER CABLE	1	1	-		
2	45461-KRH-900	CLAMPER A, BRAKE HOSE	2	2	-		
3	51400-KRH-901	FORK ASSY., R. FR.	1	1	-		
4	51401-KRH-901	SPRING, FR. FORK	2	2	-		
5	51410-KRH-901	PIPE COMP., FR. FORK	2	2	-		
6	51412-GGC-901	RING, BACK UP	2	2	-		
7	51413-KRH-901	SPRING, REBOUND	2	2	-		
8	51414-GFM-J11	GUIDE, FR. FORK	2	2	-		
9	51420-KRH-901	CASE, R. BOTTOM	1	1	-		
10	51432-KRH-901	PIECE, OIL LOCK	2	2	-		
11	51437-KRH-901	RING, PISTON	2	2	-		
12	51440-KRH-901	PIPE, SEAT	2	2	-		
13	51490-KRH-901	SEAL SET, FR. FORK	2	2	-		
14	51500-KRH-901	FORK ASSY., L. FR.	1	1	-		
15	51520-KRH-901	CASE, L. BOTTOM	1	1	-		
16	90116-KRF-H71	BOLT, SOCKET, 8X30	2	2	-		
17	90123-KRF-H71	BOLT, FR. FORK	2	2	-		
18	90544-KRF-H71	WASHER, SPECIAL, 8MM	2	2	-		
19	90651-KRF-H71	RING, OIL SEAL STOPPER	2	2	-		
20	91254-KRH-901	SEAL, DUST	2	2	-		
21	91351-KRF-H71	O-RING, 22X2.8	2	2	-		
22	93500-05018-0G	SCREW, PAN, 5X18	1	1	-		
23	94001-05070-0S	NUT, HEX., 5MM	1	1	-		
24	96001-06016-00	BOLT, FLANGE, 6X16	2	2	-		

F-11-1

FRONT FORK(XL125LK)

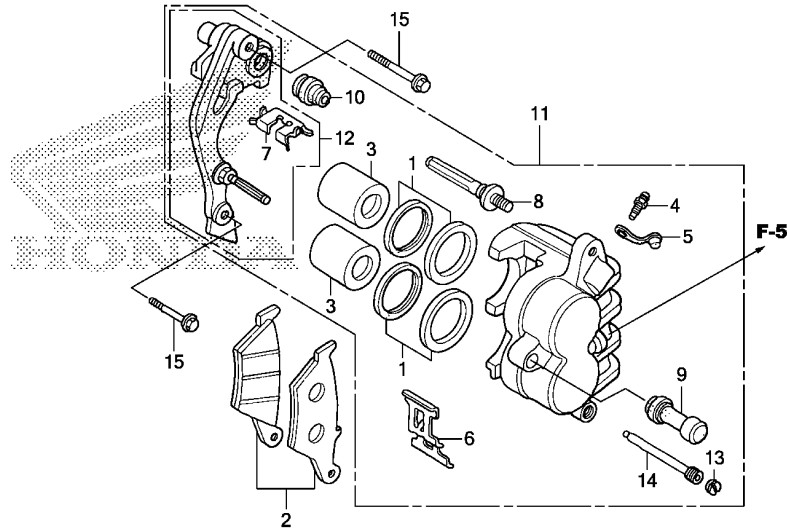
G13



Ref. No.	L.O.N.	(Relative ref. Number) Description	F.R.T.
2	5111C3	FORK ASSY., FRONT :RIGHT	0.4
3	5111C5	SPRING, FRONT FORK :LEFT	0.2
	5111C6	SPRING, FRONT FORK :RIGHT	0.2
	5111C7	SPRING, FRONT FORK :BOTH	0.4
4		(6,7,9,10,11)	
	5111G2	PIPE, FRONT FORK :LEFT	0.8
	5111G3	PIPE, FRONT FORK :RIGHT	0.8
	5111G4	PIPE, FRONT FORK :BOTH	1.3
8	5111D2	CASE, BOTTOM :RIGHT	0.8
12	5111E7	SEAL SET, FRONT FORK :LEFT	0.8
	5111E8	SEAL SET, FRONT FORK :RIGHT	0.8
	5111E9	SEAL SET, FRONT FORK :BOTH	1.3
13	5111C2	FORK ASSY., FRONT :LEFT	0.4
	5111C4	FORK ASSY., FRONT :BOTH	0.6
14	5111D1	CASE, BOTTOM :LEFT	0.8
	5111D3	CASE, BOTTOM :BOTH	1.3
15	5111J9	BOOT, FRONT FORK :LEFT	0.4
	5111K0	BOOT, FRONT FORK :RIGHT	0.4
	5111K1	BOOT, FRONT FORK :BOTH	0.6

Ref. No.	Part No.	Description	Reqd. QTY			Serial No.	Parts catalogue code
			XR125 LEK	XL125 LK	XL125 LK		
			C	C	C		
1	44834-KRH-780	GUIDE, SPEEDOMETER CABLE	-	-	1		
2	51400-KRH-781	FORK ASSY., R. FR.	-	-	1		
3	51401-KRH-781	SPRING, FR. FORK	-	-	2		
4	51410-KRH-781	PIPE COMP., FR. FORK	-	-	2		
5	51412-GGC-901	RING, BACK UP	-	-	2		
6	51413-KRH-901	SPRING, REBOUND	-	-	2		
7	51414-GFM-J11	GUIDE, FR. FORK	-	-	2		
8	51420-KRH-781	CASE, R. BOTTOM	-	-	1		
9	51432-KRH-901	PIECE, OIL LOCK	-	-	2		
10	51437-KRH-901	RING, PISTON	-	-	2		
11	51440-KRH-781	PIPE, SEAT	-	-	2		
12	51490-KRH-901	SEAL SET, FR. FORK	-	-	2		
13	51500-KRH-781	FORK ASSY., L. FR.	-	-	1		
14	51520-KRH-781	CASE, L. BOTTOM	-	-	1		
15	51611-KRH-781	BOOT, FR. FORK	-	-	2		
16	51612-KTJ-C00	BAND, FR. FORK BOOT	-	-	2		
17	90116-KRF-H71	BOLT, SOCKET, 8X30	-	-	2		
18	90123-KRF-H71	BOLT, FR. FORK	-	-	2		
19	90544-KRF-H71	WASHER, SPECIAL, 8MM	-	-	2		
20	90651-KRH-781	RING, OIL SEAL STOP	-	-	2		
21	91254-KRH-901	SEAL, DUST	-	-	2		
22	91351-KRF-H71	O-RING, 22X2.8	-	-	2		
23	93500-03020-0G	SCREW, PAN, 3X20	-	-	2		
24	95701-06016-00	BOLT, FLANGE, 6X16	-	-	2		

3



Ref. No.	L.O.N.	(Relative ref. Number) Description	F.R.T.
2	711115	SHOE(PAD) SET, BRAKE :FRONT ..	0.1
3		(1)	
	7111D1	PISTON, FRONT BRAKE CALIPER ..	0.5
		.INCLUDES: Bleed brakes	
		.NOTE: Same time for two units	
11	711130	CALIPER, FRONT BRAKE	0.4
		.INCLUDES: Bleed brakes	
12	7111G0	BRACKET, FRONT CALIPER	0.2

FR.

KRHEF1200

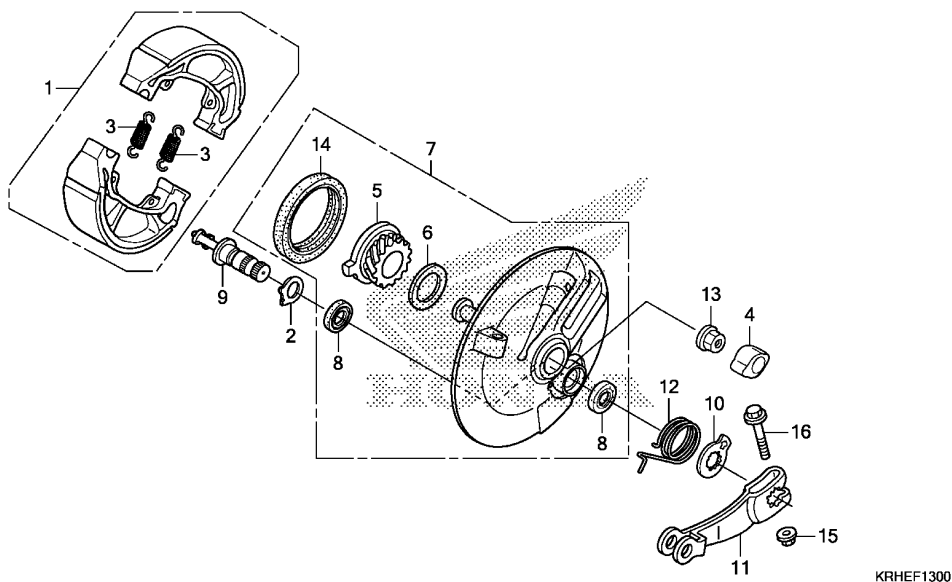
3

Ref. No.	Part No.	Description	Reqd. QTY			Serial No.	Parts catalogue code
			XR125 LEK C	XL125 LK C	XL125 LK C		
1	06431-MA3-405	SEAL SET, PISTON	2	2	-		
2	06455-KHA-942	PAD SET, FR.	1	1	-		
3	43107-MAJ-641	PISTON, 27X31	2	2	-		
4	43352-568-003	SCREW, BLEEDER(NISSIN)	1	1	-		
5	43353-461-771	CAP, BLEEDER	1	1	-		
6	45108-KW8-901	SPRING, PAD	1	1	-		
7	45112-KS6-701	RETAINER	1	1	-		
8	45131-HA5-672	BOLT A, PIN	1	1	-		
9	45132-166-016	BOOT, PIN BUSH(NISSIN)	1	1	-		
10	45133-MA3-006	BOOT B	1	1	-		
11	45150-KRH-D21	CALIPER SUB ASSY., L. FR. (NISSIN)	1	1	-		
12	45190-KCZ-J71	BRACKET SUB ASSY., L. FR.	1	1	-		
13	45203-MG3-016	PLUG, PIN	1	1	-		
14	45215-ML7-922	PIN, HANGER	1	1	-		
15	90131-KRH-900	BOLT, FLANGE, 8X40	2	2	-		

F-13

FRONT BRAKE PANEL

G15



Ref. No.	L.O.N.	(Relative ref. Number) Description	F.R.T.
1	711115	SHOE(PAD) SET, BRAKE :FRONT .. (14)	0.4
5	7101C3	GEAR, SPEEDOMETER	0.3
7	7111D0	PANEL, FRONT BRAKE	0.4
11	7111C3	ARM, BRAKE :FRONT	0.3

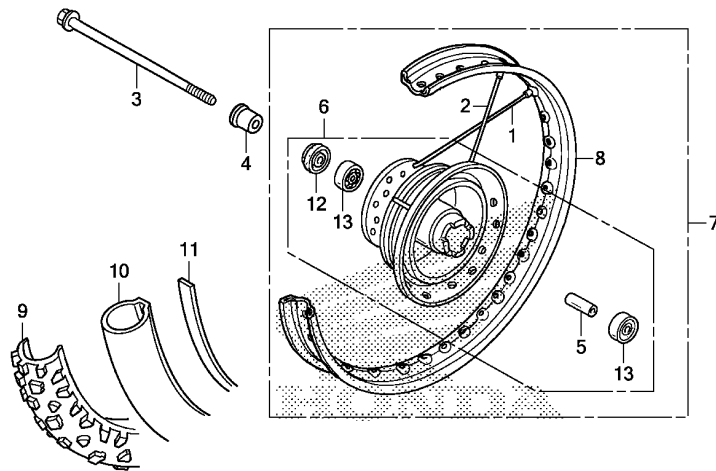
Ref. No.	Part No.	Description	Reqd. QTY			Serial No.	Parts catalogue code
			XR125 LEK C	XL125 LK C	XL125 LK C		
1	06430-KRF-B80	SHOE SET, BRAKE(JB)	-	-	1		
	06450-KGA-B90	SHOE SET, BRAKE(JB NH FE) ...	-	-	1		
2	43142-KAS-890	SEAT, RR. BRAKE CAM	-	-	1		
		(FOR FR.)	-	-	1		
3	43151-329-000	SPRING, BRAKE SHOE	-	-	2		
	43151-KCW-870	-	-	2		
4	44302-KTT-950	CAP, AXLE NUT	-	-	1		
5	44806-KRH-780	GEAR, SPEEDOMETER(23T)	-	-	1		
6	44808-107-720	WASHER, SPEEDOMETER GEAR	-	-	1		
7	45010-KRH-780ZA	PANEL SUB COMP., FR. BRAKE	-	-	1		
		*NH364M*SHEEN SILVER METALLIC	-	-	1		
8	45134-KB7-005	DUST SEAL, BRAKE CAM(NOK) ...	-	-	2		
9	45141-KRH-780	CAM, FR. BRAKE	-	-	1		
10	45145-437-970	INDICATOR, FR. BRAKE	-	-	1		
11	45410-KRH-780	ARM, FR. BRAKE	-	-	1		
12	45435-KCW-870	SPRING, BRAKE ARM	-	-	1		
13	90306-KFO-003	NUT, FLANGE, 12MM(FUSERASHI)	-	-	1		
	90306-KYA-601	NUT, FLANGE, 12MM(PT)	-	-	1		
14	91251-GK4-003	OIL SEAL, 47X60X7(ARAI)	-	-	1		
15	94050-06080	NUT, FLANGE, 6MM	-	-	1		
16	95701-06032-00	BOLT, FLANGE, 6X32	-	-	1		

3

F-14-10

FRONT WHEEL(XL125LK)

G16



FR.

KRHEF1410

Ref. No.	L.O.N.	(Relative ref. Number) Description	F.R.T.
3		(12)	
710151		AXLE, FRONT WHEEL	0.3
6		(1,2)	
710103		HUB, FRONT WHEEL	2.2
7101D4		FRONT WHEEL	0.9
710109		RIM, WHEEL :FRONT	2.1
9		(11)	
710139		FRONT TIRE(ONE)	0.9
10		(11)	
710140		TUBE, FRONT TIRE(ONE)	0.9
710115		BEARING, FRONT WHEEL(ONE)	0.5
710115G		.Replace 1 bearing add	0.1

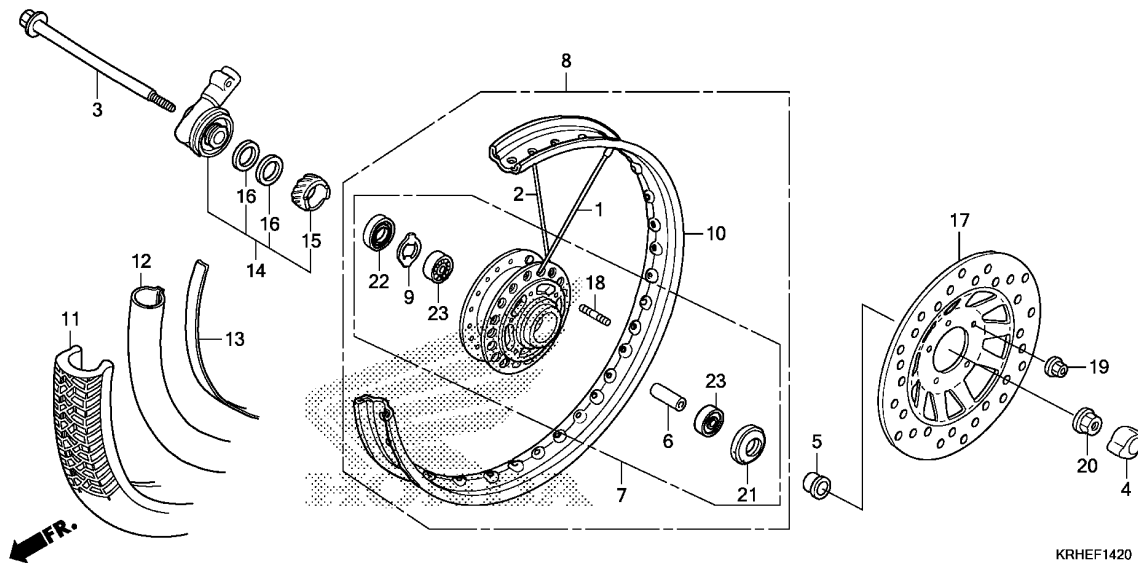
Ref. No.	Part No.	Description	Reqd. QTY			Serial No.	Parts catalogue code
			XR125 LEK C	LK LK C	XL125 LK C		
1	06441-KRH-780	SPOKE SET A, FR.(A10X224) ... (R. SIDE)	-	-	18		
2	06442-KRH-780	SPOKE SET B, FR.(A10X204) ... (L. SIDE)	-	-	18		
3	44301-KRH-900	AXLE, FR. WHEEL	-	-	1		
4	44311-KTJ-900	COLLAR, FR. WHEEL SIDE	-	-	1		
5	44620-KRH-780	COLLAR, FR. AXLE DISTANCE ...	-	-	1		
6	44635-KRH-780ZA	HUB SUB ASSY., FR. *NH364M*SHEEN SILVER METALLIC	-	-	1		
7	44650-KRH-780ZA	WHEEL SUB ASSY., FR. *NH364M*SHEEN SILVER METALLIC	-	-	1		
8	44701-KRH-780	RIM, FR. WHEEL(1.40X21)	-	-	1		
9	44711-KRH-781	TIRE, FR.(CHENG SHIN) (70/100-21 M/C 44P)	-	-	1		
10	44712-KRH-781	TUBE, TIRE(CHENG SHIN) (70/100-21)	-	-	1		
11	44713-KRH-781	FLAP, TIRE(CHENG SHIN)	-	-	1		
12	91251-KYY-900	DUST SEAL, 21X37X7	-	-	1		
13	96140-63010-10	BEARING, RADIAL BALL, 6301U	-	-	2		

3

F-14-20

FRONT WHEEL(XR125LEK/LK)

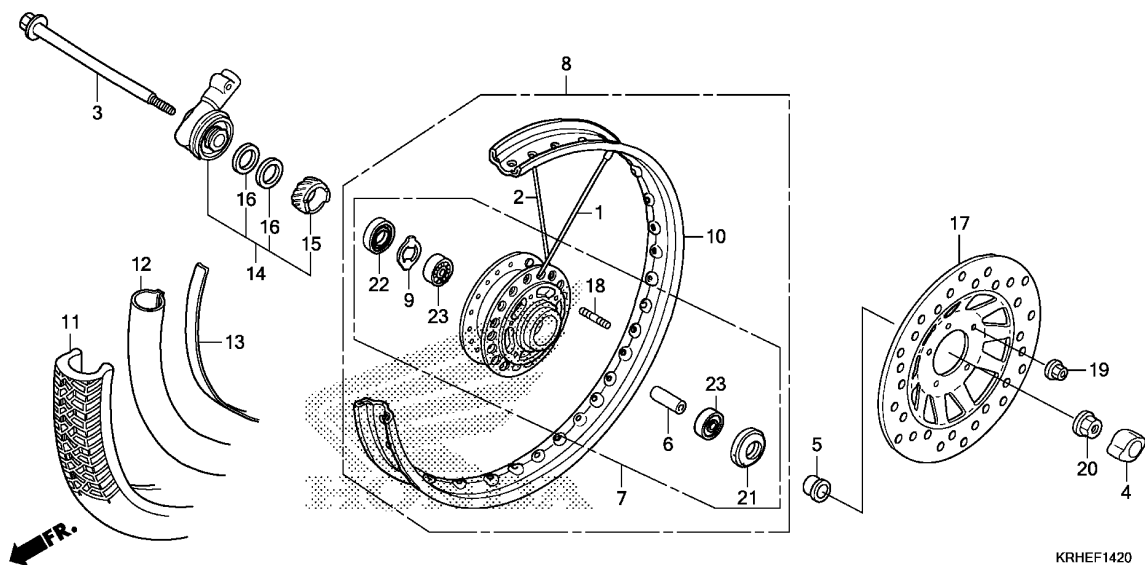
H 1



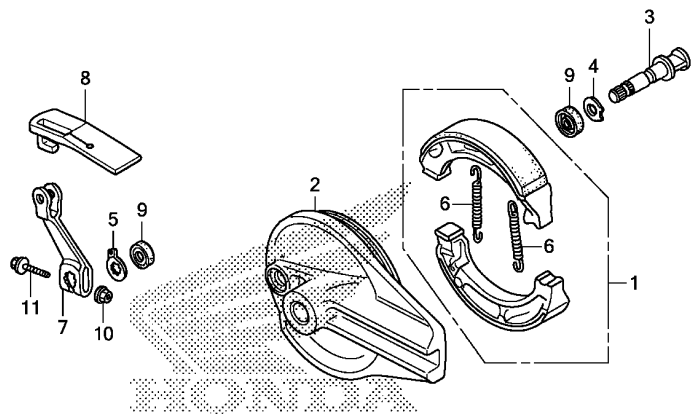
Ref. No.	L.O.N.	(Relative ref. Number) Description	F.R.T.
3		(21,22)	
710151		AXLE, FRONT WHEEL	0.3
7		(1,2)	
710103		HUB, FRONT WHEEL	2.3
8		FRONT WHEEL	1.0
10		710109 RIM, WHEEL :FRONT	2.2
11		(13)	
710139		FRONT TIRE(ONE)	0.9
12		(13)	
710140		TUBE, FRONT TIRE(ONE)	0.9
14		710145 GEARBOX ASSY., SPEEDOMETER ...	0.3
17		711120 DISC, FRONT BRAKE	0.4
23		710115 BEARING, FRONT WHEEL(ONE)	0.5
		710115G .Replace 1 bearing add	0.1

Ref. No.	Part No.	Description	Reqd. QTY			Serial No.	Parts catalogue code
			XR125 LEK C	XL125 LK C	XL125 LK C		
1	06440-KRH-900	SPOKE SET A,(10X206) (OUTSIDE)	18	18	-		
2	06441-KRH-900	SPOKE SET A,(10X206.5) (INSIDE)	18	18	-		
3	44301-KRH-900	AXLE, FR. WHEEL	1	1	-		
4	44302-KTT-950	CAP, AXLE NUT	1	1	-		
5	44312-KRH-900	COLLAR, FR. WHEEL	1	1	-		
6	44620-KRH-900	COLLAR, FR. AXLE DISTANCE ...	1	1	-		
7	44635-KRH-900	HUB SUB ASSY., FR.	1	1	-		
8	44650-KRH-900	WHEEL SUB ASSY., FR.	1	1	-		
9	44680-KRH-900	RETAINER, GEAR BOX	1	1	-		
10	44701-KRH-900	RIM, FR. WHEEL	1	1	-		
11	44711-KRH-901	TIRE, FR.(CHENG SHIN) (90/90-19 M/C 52P)	1	1	-		
12	44712-KRH-901	TUBE, TIRE(CHENG SHIN)	1	1	-		
13	44713-KRH-901	FLAP, TIRE(CHENG SHIN)	1	1	-		
14	44800-KRH-901	BOX ASSY., SPEEDOMETER GEAR	1	1	-		
15	44806-KRH-901	GEAR, SPEEDOMETER(20T)	1	1	-		
16	44808-KRH-901	WASHER, GEAR	2	2	-		
17	45351-KRH-900	DISK, L. FR. BRAKE	1	1	-		
18	90128-KGA-B90	BOLT, STUD, 2, 6X16	5	5	-		
19	90302-KYA-601	NUT, FLANGE, 6MM(PT)	5	5	-		
20	90306-KFO-003	NUT, FLANGE, 12MM(FUSERASHI)	1	1	-		
	90306-KYA-601	NUT, FLANGE, 12MM(PT)	1	1	-		
21	90755-229-003	OIL SEAL, 21X37X7(ARAI)	1	1	-		

3



Ref. No.	Part No.	Description	Reqd. QTY			Serial No.	Parts catalogue code
			XR125 LEK	XL125 LK	XL125 LK		
21)	90755-229-005	OIL SEAL, 21X37X7 (NOK)	1	1	-		
	90755-KRH-900	OIL SEAL, 21X37X7	1	1	-		
22	91258-410-006	DUST SEAL, 40X50X5 (NOK)	1	1	-		
	91258-410-013	DUST SEAL, 40X50X5 (ARAI)	1	1	-		
	91258-MCG-901	DUST SEAL, 40X50X5 (SABO)	1	1	-		
	91258-MCG-902	DUST SEAL, 40X50X5 (NOK)	1	1	-		
23	96140-63010-10	BEARING, RADIAL BALL, 6301U	2	2	-		



FR. →
KRHEF1800

Ref. No.	L.O.N.	(Relative ref. Number) Description	F.R.T.
1	711140	SHOE(PAD) SET, BRAKE :REAR ... (3)	0.4
2	7111A9	PANEL, REAR BRAKE	0.5
7	7111C4	ARM, BRAKE :REAR	0.2

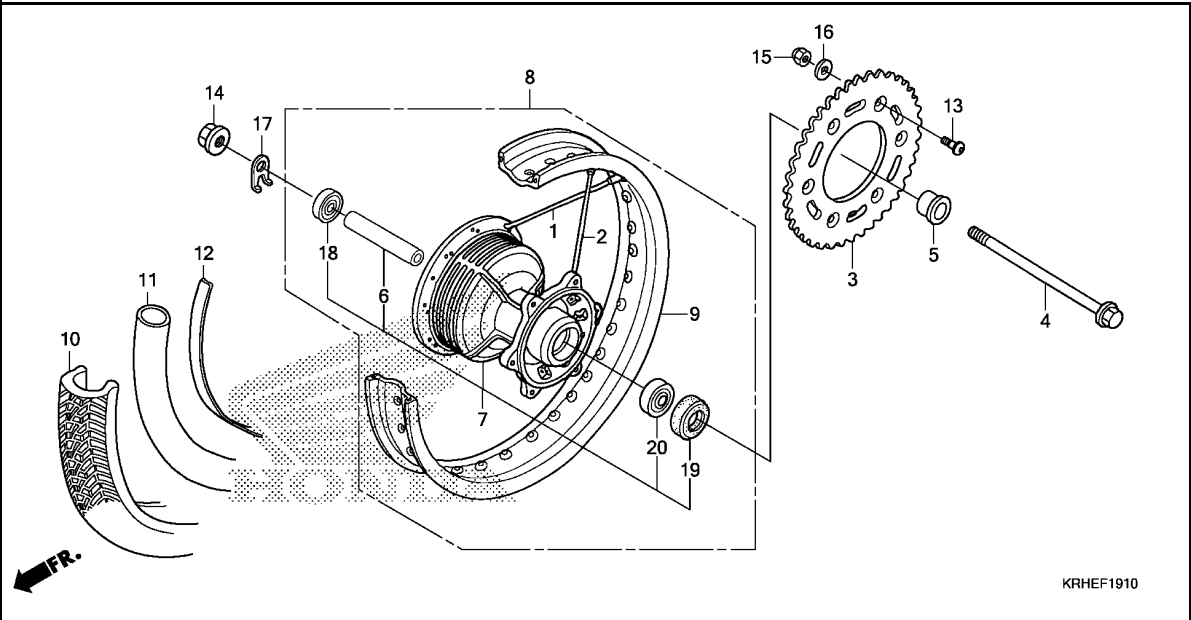
Ref. No.	Part No.	Description	Reqd. QTY			Serial No.	Parts catalogue code
			XR125 LEK C	LK C	XL125 LK C		
1	06430-GBJ-J10	SHOE SET, BRAKE(ASK)	1	1	1		
	06430-GCE-900	SHOE SET, BRAKE(NK)	1	1	1		
2	43100-KRH-900ZA	PANEL COMP., RR. BRAKE *NH364M*SHEEN SILVER METALLIC	1	1	1		
3	43141-KRH-900	CAM, RR. BRAKE	1	1	1		
4	43142-KRH-900	SEAT, RR. BRAKE CAM	1	1	1		
5	43145-KRH-900	INDICATOR, RR. BRAKE	1	1	1		
6	43151-110-000	SPRING, BRAKE SHOE(NK)	2	2	2		
7	43410-KRH-900	ARM, RR. BRAKE	1	1	1		
8	43411-KHA-940	COVER, RR. BRAKE ARM	1	1	1		
9	45134-KB7-005	DUST SEAL, BRAKE CAM(NOK) ...	2	2	2		
10	90302-KYA-601	NUT, FLANGE, 6MM(PT)	1	1	1		
11	95701-08035-00	BOLT, FLANGE, 8X35	1	1	1		



F-19-10

REAR WHEEL

H 4



Ref. No.	L.O.N.	(Relative ref. Number) Description	F.R.T.
3	7101A0	SPROCKET, FINAL DRIVEN (19)	0.4
4	710160	AXLE, REAR WHEEL (1,2)	0.3
7	710121	HUB, REAR WHEEL	2.3
8	710118	REAR WHEEL	1.0
9	710127	RIM, WHEEL :REAR	2.2
10	710142	REAR TIRE(ONE) (12)	0.9
11	7101A7	TUBE, REAR TIRE(ONE)	0.9
18	710133	BEARING, REAR WHEEL(ONE)	0.5
	710133G	.Replace 1 bearing add	0.1

KRHEF1910

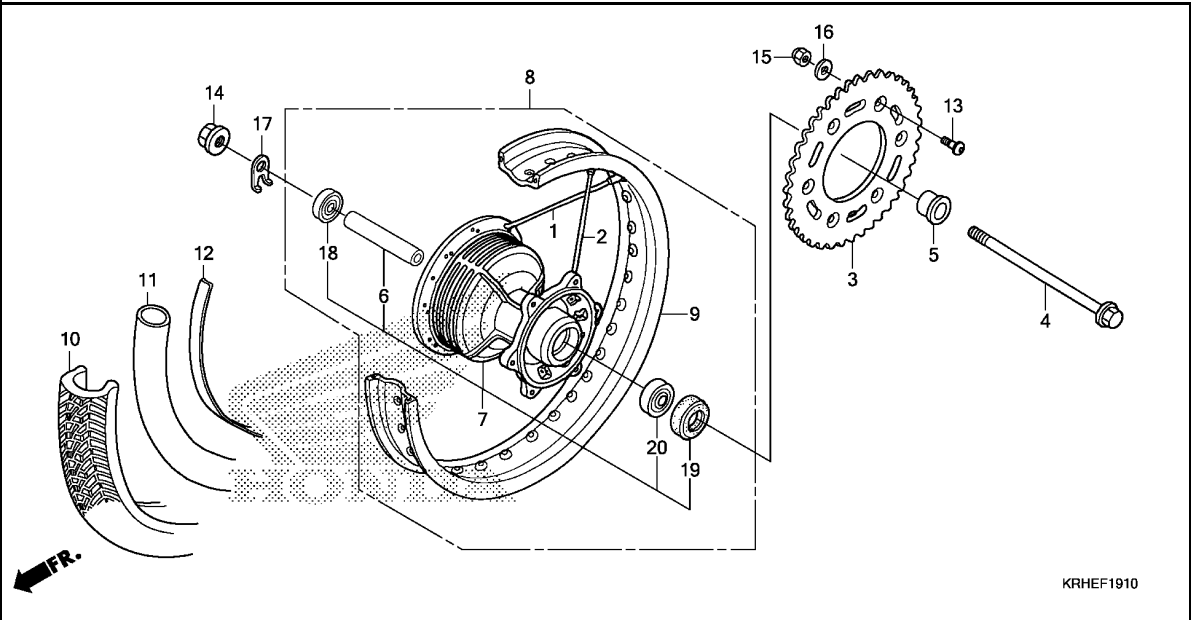
3

Ref. No.	Part No.	Description	Reqd. QTY			Serial No.	Parts catalogue code
			XR125 LEK C	LK C	XL125 LK C		
1	06420-KRH-900	SPOKE SET A, RR.(A10X166) ... (R. SIDE)	18	18	-		
	06420-KRH-780	SPOKE SET A, RR.(A10X175) ... (R. SIDE)	-	-	18		
2	06421-KRH-900	SPOKE SET B, RR.(A10X184) ... (L. SIDE)	18	18	-		
	06421-KRH-780	SPOKE SET B, RR.(A10X193) ... (L. SIDE)	-	-	18		
3	41201-KRH-780	SPROCKET, FINAL DRIVEN(51T)	1	1	1		
4	42301-KRH-900	AXLE, RR. WHEEL	1	1	1		
5	42312-KRH-900	COLLAR, RR. WHEEL	1	1	1		
6	42620-KRH-900	COLLAR, RR. AXLE DISTANCE	1	1	1		
7	42635-KRH-780ZA	HUB SUB ASSY., RR.	1	1	1		
8	42650-KRH-A00ZA	WHEEL SUB ASSY., RR.	1	1	-		
	42650-KRH-780ZA	*NH364M*SHEEN SILVER METALLIC	-	-	1		
9	42701-KRH-900	RIM, RR. WHEEL(2.15X17)	1	1	-		
	42701-KRH-780	RIM, RR. WHEEL(2.15X18)	-	-	1		
10	42711-KRH-901	TIRE, RR.(CHENG SHIN)	1	1	-		
		(110/90-17 M/C 60P)	1	1	-		
	42711-KRH-781	TIRE, RR.(CHENG SHIN)	-	-	1		
		(100/90-18 M/C 56P)	-	-	1		
11	42712-KRH-901	TUBE, TIRE(CHENG SHIN)	1	1	-		
	42712-KRH-781	TUBE, TIRE(CHENG SHIN)	-	-	1		
		(100/90-18)	-	-	1		
12	42713-KRH-901	FLAP, TIRE(CHENG SHIN)	1	1	-		

F-19-10

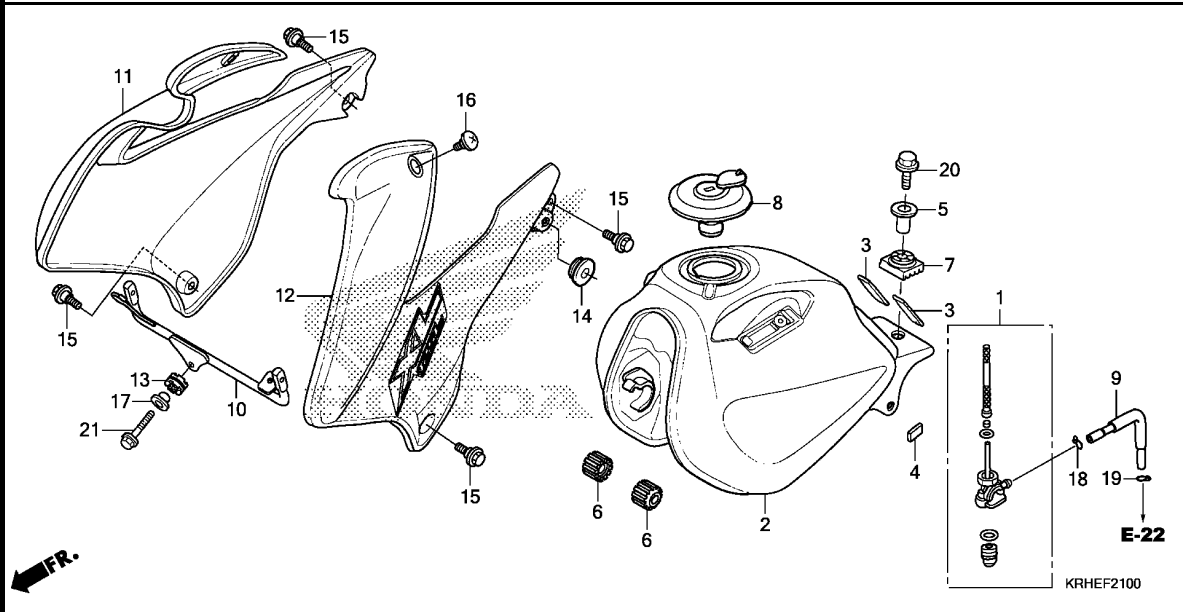
REAR WHEEL

H 5



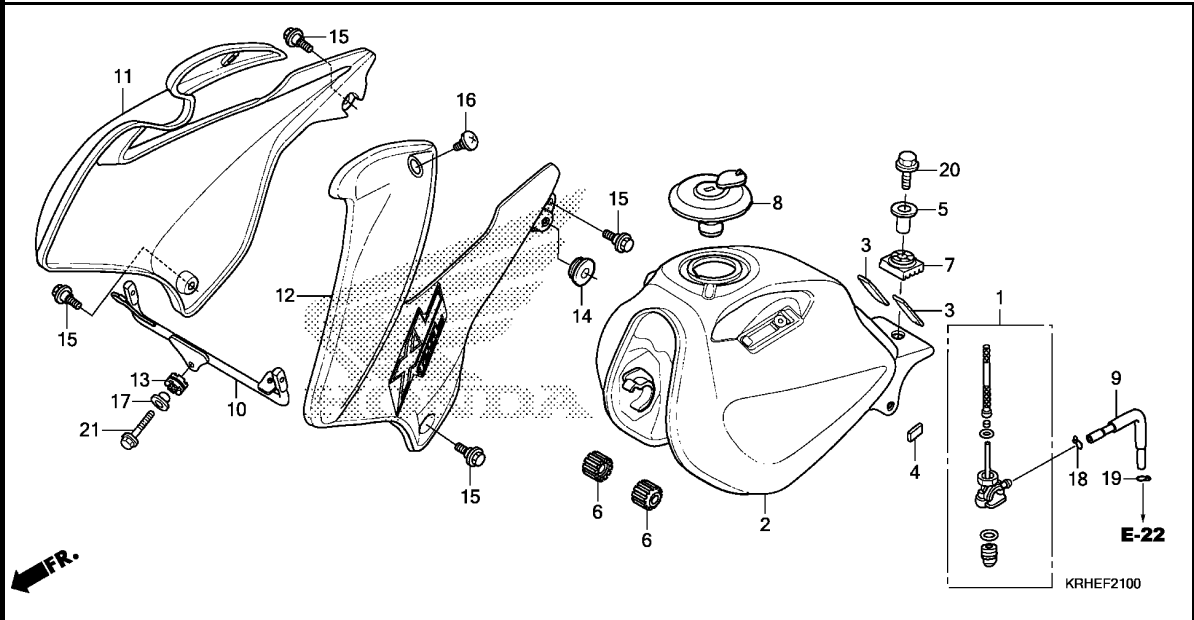
Ref. No.	Part No.	Description	Reqd. QTY			Serial No.	Parts catalogue code
			XR125 LEK C	XL125 LK C	XL125 LK C		
12)	42713-KRH-781	FLAP, TIRE(CHENG SHIN)	-	-	1		
13	90125-KZJ-900	BOLT, SPROCKET FIXING	6	6	6		
14	90307-KRH-901	NUT, FLANGE, 16MM	1	1	1		
15	90309-KFO-003	NUT, FLANGE, 8MM	6	6	6		
	90309-KRH-901	NUT, U, 8MM	6	6	6		
16	90511-KRH-900	WASHER, 8MM	6	6	-		
	90511-KRH-780	-	-	6		
17	90559-KRH-900	WASHER, RR. AXLE	1	1	1		
18	91053-MAY-003	BEARING, RADIAL BALL, 6203UU	1	1	1		
19	91253-033-003	OIL SEAL, 25X47X6.5	1	1	1		
20	96140-63030-10	BEARING, RADIAL BALL, 6303U	1	1	1		

3

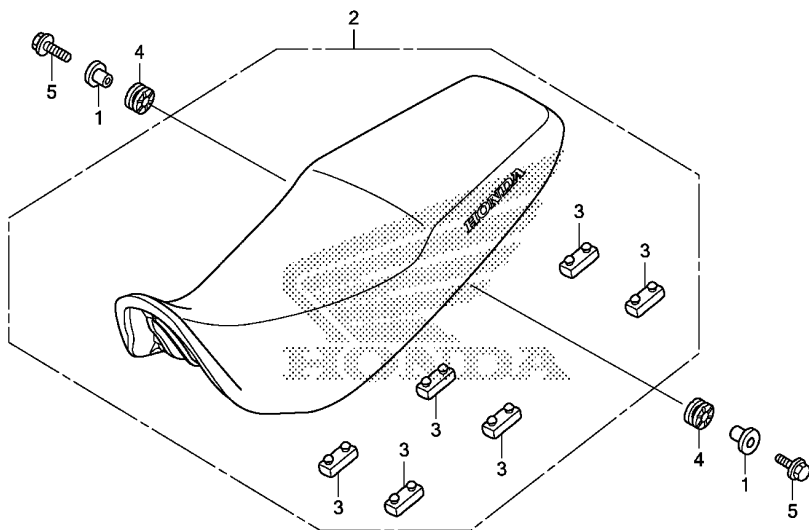


Ref. No.	L.O.N.	(Relative ref. Number) Description	F.R.T.
1	310110	COCK ASSY., FUEL	0.3
2	310100	TANK, FUEL	0.4
11	1151A0	SHROUD, RADIATOR :RIGHT	0.1
12	115126	SHROUD, RADIATOR :LEFT	0.1
	1151A5	SHROUD, RADIATOR :BOTH	0.1

Ref. No.	Part No.	Description	Reqd. QTY			Serial No.	Parts catalogue code
			XR125 LEK C	XL125 LK C	XL125 LK C		
1	16950-KRH-901	COCK ASSY., FUEL	1	1	1		
2	17510-KRH-900ZA	TANK COMP., FUEL *NH1*.....BLACK	1	1	1		
3	17517-KPF-900	RUBBER A, FUEL TANK	2	2	2		
4	17518-KRE-900	RUBBER	2	2	2		
5	17526-KRH-900	COLLAR, FUEL TANK MOUNTING ..	1	1	1		
6	17611-KRH-900	CUSHION, FUEL TANK FR.	2	2	2		
7	17613-KRH-900	CUSHION, FUEL TANK RR.	1	1	1		
8	17620-KRH-901	CAP COMP., FUEL FILLER	1	1	1		
9	17681-KRH-780	TUBE, FUEL	1	1	1		
10	19040-KRH-A00	JOINT, SHROUD	1	1	-		
	19040-KRH-780	-	-	1		
11	19100-KRH-900ZA	SHROUD SET, R.(WL) *NH1*.....BLACK	1	1	-		
	19100-KRH-900ZB	*NH196*.....ROSS WHITE	1	1	-		
	19100-KRH-900ZC	*R134*.....FIGHTING RED	1	1	-		
	19100-KRH-780ZA	*TYPE2*.....	-	-	1		
	19100-KRH-780ZB	*TYPE1*.....	-	-	1		
12	19200-KRH-900ZA	SHROUD SET, L.(WL) *NH1*.....BLACK	1	1	-		
	19200-KRH-900ZB	*NH196*.....ROSS WHITE	1	1	-		
	19200-KRH-900ZC	*R134*.....FIGHTING RED	1	1	-		
	19200-KRH-780ZA	*TYPE2*.....	-	-	1		
	19200-KRH-780ZB	*TYPE1*.....	-	-	1		
13	37101-KRH-900	RUBBER, SPEEDOMETER	1	1	1		
14	83551-KRH-D20	GROMMET, SIDE COVER	2	2	2		
15	90116-KRH-900	BOLT, FLANGE, 6MM	4	4	4		



Ref. No.	Part No.	Description	Reqd. QTY			Serial No.	Parts catalogue code
			XR125 LEK C	XL125 LK C	XL125 LK C		
16	90381-KRH-900	SCREW, SPECIAL, 6X8	2	2	2		
17	90509-KRH-900	COLLAR, SIDE MOUNTING	1	1	1		
18	90651-KRM-R20	CLIP C9, TUBE	1	1	1		
19	95002-02080	CLIP, TUBE(B8)	1	1	1		
20	95701-08032-00	BOLT, FLANGE, 8X32	1	1	1		
21	96001-06018-00	BOLT, FLANGE, 6X18	1	1	1		



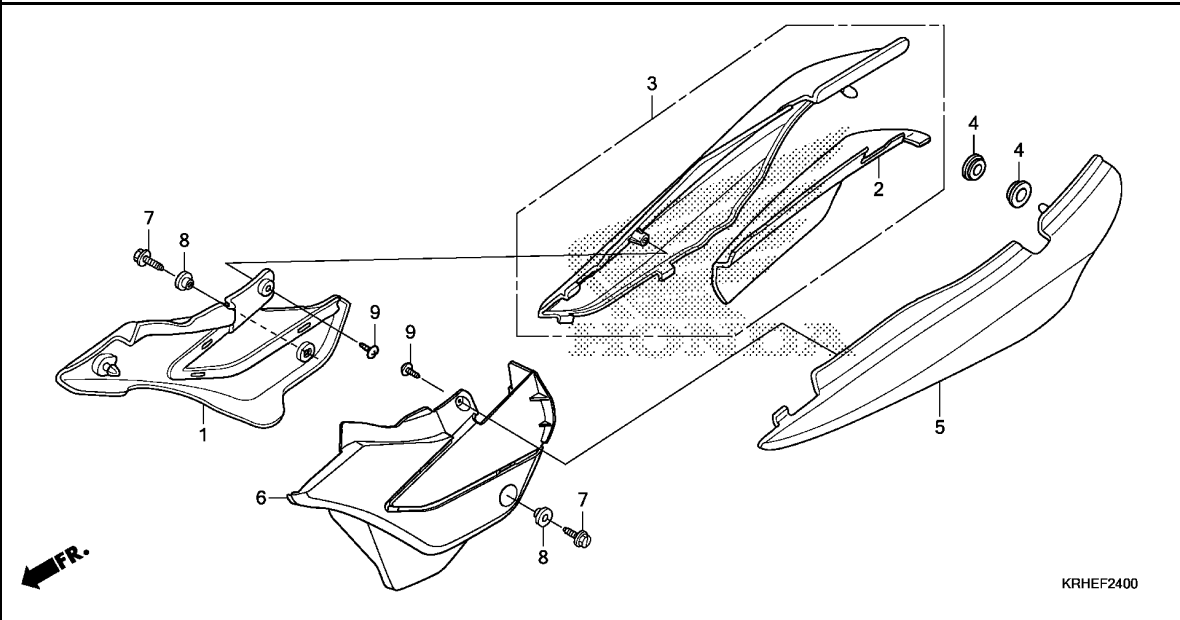
Ref. No.	L.O.N.	(Relative ref. Number) Description	F.R.T.
----------	--------	------------------------------------	--------

2	4131E4	SEAT :DOUBLE	0.1
---	--------	--------------------	-----

KRHEF2300

3

Ref. No.	Part No.	Description	Reqd. QTY			Serial No.	Parts catalogue code
			XR125 LEK C	XL125 LK C	XL125 LK C		
1	77103-KRH-900	COLLAR, SEAT SETTING	2	2	2		
2	77200-KRH-780ZB	SEAT COMP., DOUBLE *TYPE1*	1	1	1		
3	77205-286-000	RUBBER B, SEAT SETTING	6	6	6		
4	80112-KRH-D20	CUSHION, TAILLIGHT	2	2	2		
5	95701-06025-00	BOLT, FLANGE, 6X25	2	2	2		



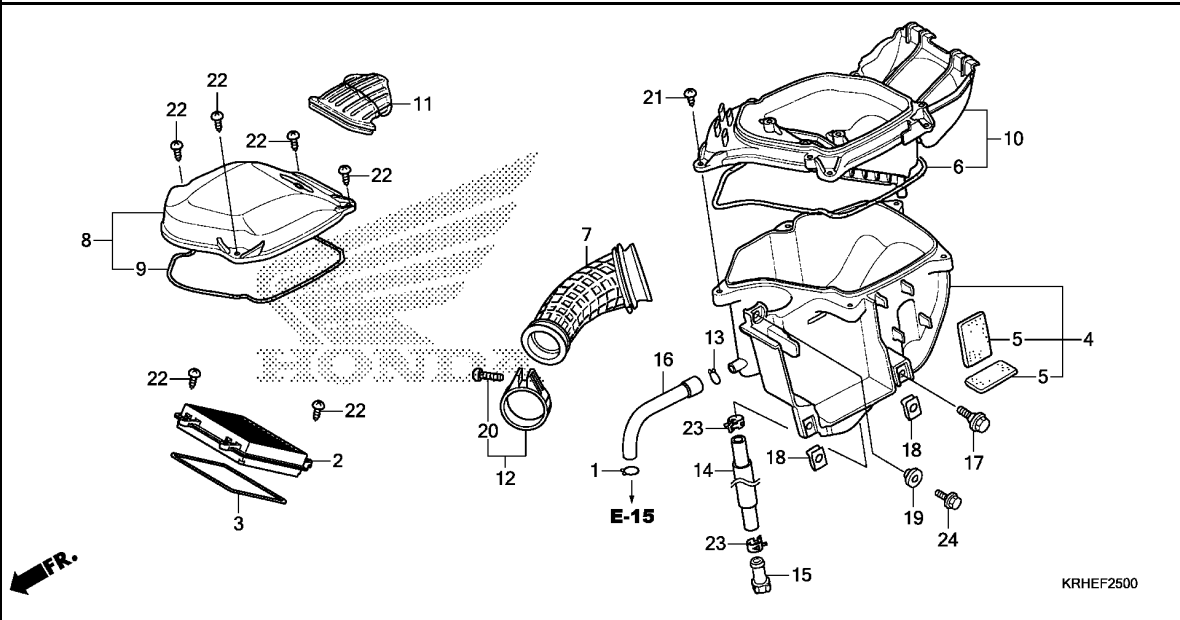
Ref. No.	L.O.N.	(Relative ref. Number) Description	F.R.T.
1		(3)	
4111H9		COVER, SIDE :RIGHT	0.1
6		(5)	
4111H8		COVER, SIDE :LEFT	0.1
4111J0		COVER, SIDE :BOTH	0.1

Ref. No.	Part No.	Description	Reqd. QTY			Serial No.	Parts catalogue code
			XR125 LEK C	XL125 LK C	XL125 LK C		
1	83501-KRH-900ZA	COVER, R. FR. SIDE *NH1*.....BLACK	1	1	1		
2	83503-KRE-900	GUARD, SIDE COWL HEAT	1	1	1		
3	83510-KRH-900ZB	COVER SET, R. SIDE *NH196*.....ROSS WHITE	1	1	1		
	83510-KRH-900ZC	*R134*.....FIGHTING RED	1	1	1		
	83510-KRH-900ZA	*NH1*.....BLACK	1	1	-		
4	83551-376-000	GROMMET, SIDE COVER	2	2	2		
5	83600-KRH-900ZB	COVER, L. SIDE *NH196*.....ROSS WHITE	1	1	1		
	83600-KRH-900ZC	*R134*.....FIGHTING RED	1	1	1		
	83600-KRH-900ZA	*NH1*.....BLACK	1	1	-		
6	83601-KRH-900ZA	COVER, L. FR. SIDE *NH1*.....BLACK	1	1	1		
7	90112-KRH-900	BOLT, SPECIAL, 6X14	2	2	2		
8	90522-KRH-900	WASHER, CHAIN CASE	2	2	2		
9	93913-24120	SCREW, TAPPING, 4X10	2	2	2		

F-25

AIR CLEANER

H10



Ref. No.	L.O.N.	(Relative ref. Number) Description	F.R.T.
2	(3)	ELEMENT, AIR CLEANER	0.2
4		CASE, AIR CLEANER	0.8
7		TUBE, AIR CLEANER CONNECTING ..	0.4
8	(11)	COVER, AIR CLEANER CASE	0.2
10		CASE, AIR CLEANER :MIDDLE	0.5

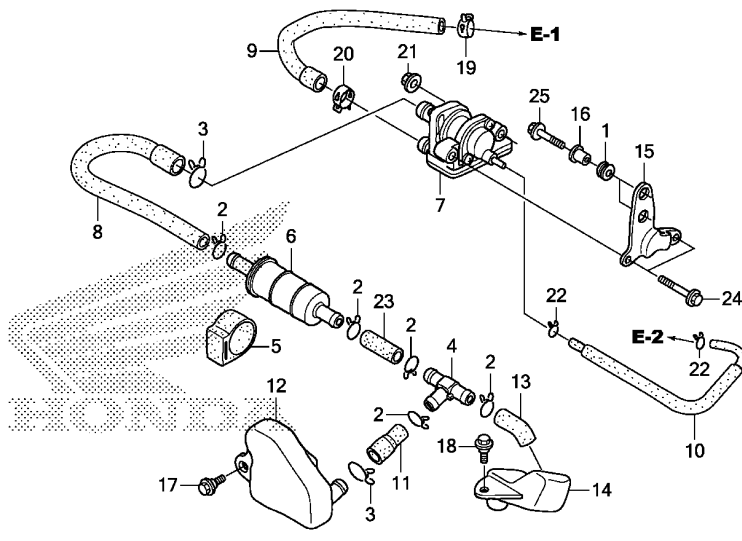
3

Ref. No.	Part No.	Description	Reqd. QTY			Serial No.	Parts catalogue code
			XR125 LEK C	XL125 LK C	XL125 LK C		
1	15772-KVC-900	CLIP, TUBE	1	1	1		
2	17211-KRH-780	ELEMENT COMP., AIR CLEANER ..	1	1	1		
3	17214-KRH-780	SEAL, SEPARATOR	1	1	1		
4	17215-KRH-900	CASE SUB ASSY., AIR CLEANER ..	1	1	1		
5	17217-KRH-900	SPACER B, BATTERY	2	2	2		
6	17219-KRE-900	SEAL, AIR CLEANER	1	1	1		
7	17222-KRH-780	TUBE, AIR CLEANER CONNECTING ..	1	1	1		
8	17225-KRH-A00	COVER SUB ASSY., AIR CLEANER ..	1	1	1		
9	17229-KRE-900	SEAL, AIR CLEANER(DIRTY)	1	1	1		
10	17235-KRH-780	SEPARATOR SUB ASSY., AIR CLEANER	1	1	1		
11	17240-KRH-900	DUCT, INLET	1	1	1		
12	17254-KRH-900	BAND, AIR CLEANER CONNECTING TUBE(44)	1	1	1		
13	17316-KRH-900	CLIP, BREATHER TUBE	1	1	1		
14	17363-KCZ-950	TUBE, BREATHER DRAIN	1	1	1		
15	17370-419-700	PLUG, BREATHER TUBE	1	1	1		
16	17373-KRE-850	TUBE, BREATHER	1	1	1		
17	90115-KRH-900	BOLT, FLANGE, 6MM	1	1	1		
18	90311-KRH-900	NUT, CLIP, 6MM	2	2	2		
19	90522-KRH-900	WASHER, CHAIN CASE	1	1	1		
20	93500-05028-0G	SCREW, PAN, 5X28	1	1	1		
21	93903-25380	SCREW, TAPPING, 5X16	5	5	5		
22	93903-25510	SCREW, TAPPING, 5X25	8	8	8		
23	95002-41050-00	CLAMP, TUBE(D10.5)	2	2	2		
24	95701-06012-00	BOLT, FLANGE, 6X12	1	1	1		

F-25-20

AIR SUCTION VALVE

H11



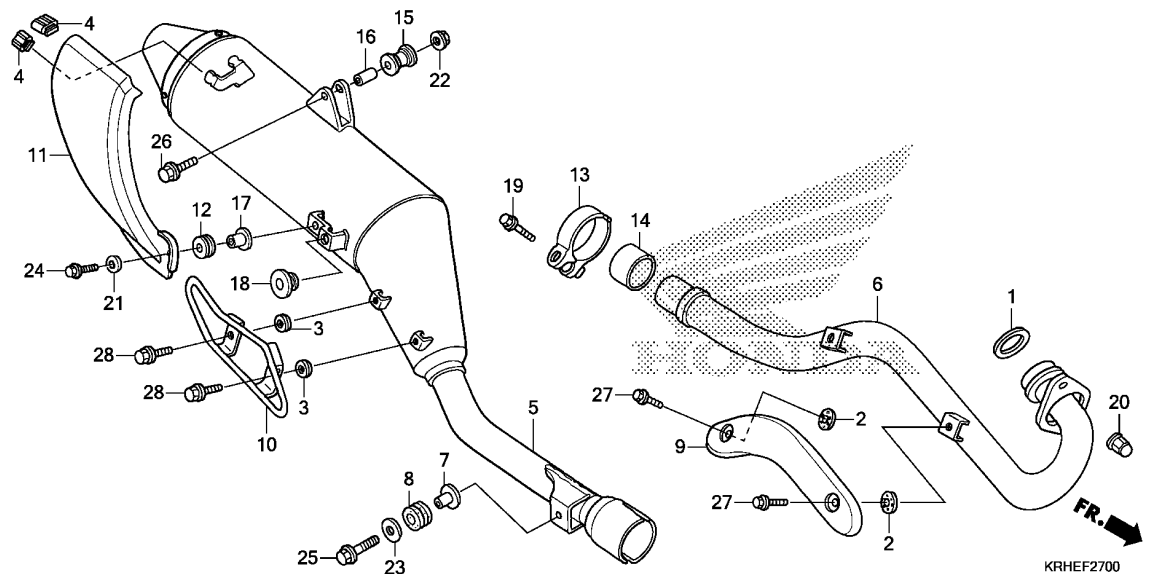
KRHEF2520

Ref. No.	L.O.N.	(Relative ref. Number) Description	F.R.T.
----------	--------	------------------------------------	--------

7	314130	VALVE, SECONDARY AIR CONTROL	0.3
---	--------	------------------------------	-----

Ref. No.	Part No.	Description	Reqd. QTY			Serial No.	Parts catalogue code
			XR125 LEK C	XL125 LK C	XL125 LK C		
1	11344-KRH-900	GROMMET A, RR. COVER	2	2	-		
2	15771-KV6-000	CLIP, OIL DRAIN TUBE	5	5	-		
3	15772-GW3-980	CLIP, BREATHER TUBE	2	2	-		
4	16180-KRH-901	T-JOINT	1	1	-		
5	16905-KRH-900	CUSHION, FUEL STRAINER	1	1	-		
6	17260-KRH-900	FILTER COMP., AIR	1	1	-		
7	18600-KRH-A01	VALVE ASSY., AIR SUCTION	1	1	-		
8	18601-KRH-D20	TUBE, SUCTION	1	1	-		
9	18602-KRH-A00	TUBE, REED VALVE	1	1	-		
10	18604-KRH-A00	TUBE, AIR SUCTION VALVE CONTROL	1	1	-		
11	18605-KRH-D20	TUBE, EXCHANGE	1	1	-		
12	18610-KRH-D20	SUB TANK, RESONATOR	1	1	-		
13	18656-KRH-900	TUBE A, INNLET	1	1	-		
14	18657-KRH-D20	CASE, WATER INLET	1	1	-		
15	50543-KRH-A00	BRACKET, AIR SUCTION VALVE	1	1	-		
16	83119-KRH-900	COLLAR, LOCK SETTING	2	2	-		
17	90101-KRH-900	BOLT, FLANGE, 6MM	1	1	-		
18	90110-KRH-900	BOLT, FLANGE, 6MM	1	1	-		
19	90678-KRH-900	CLIP, HOSE	1	1	-		
20	91405-KRH-900	CLAMP, TUBE (D17)	1	1	-		
21	94050-06000	NUT, FLANGE, 6MM	2	2	-		
22	95002-02070	CLIP, TUBE (B7)	2	2	-		
23	95005-80035-20	TUBE, 8X35 (95005-80001-20M)	1	1	-		
24	95701-06016-00	BOLT, FLANGE, 6X16	2	2	-		
25	95701-06020-00	BOLT, FLANGE, 6X20	2	2	-		

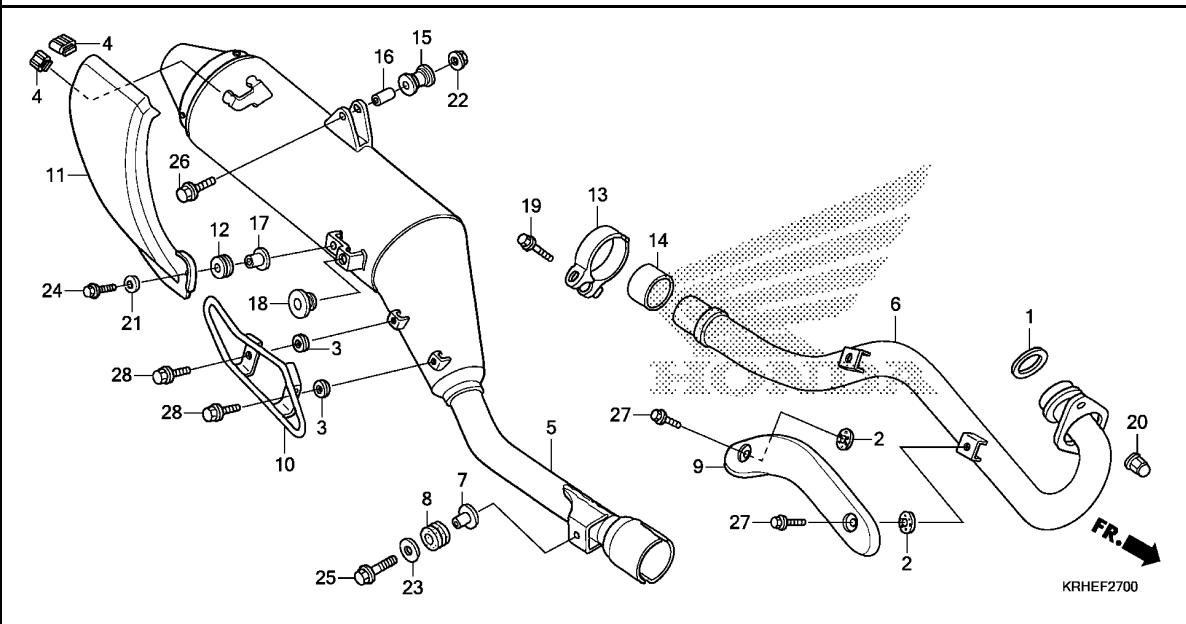
3



Ref. No.	L.O.N.	(Relative ref. Number) Description	F.R.T.
1	3131B4	GASKET, EXHAUST PIPE	0.2
5	313120	MUFFLER	0.3
6	313110	PIPE, EXHAUST	0.2
9	3131A6	PROTECTOR, EXHAUST PIPE	0.1
10	3131H1	GUARD, MUFFLER	0.1
11	313121	PROTECTOR, MUFFLER	0.1

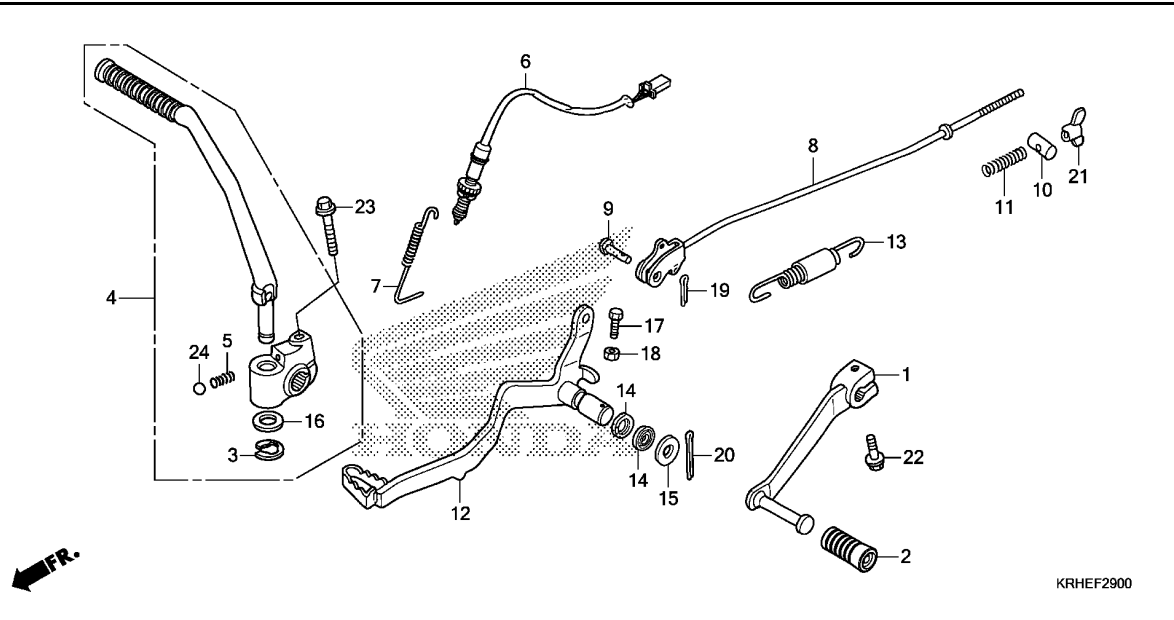
3

Ref. No.	Part No.	Description	Reqd. QTY			Serial No.	Parts catalogue code
			XR125 LEK C	XL125 LK C	XL125 LK C		
1	18291-KRH-900	GASKET, EX. PIPE	1	1	1		
2	18292-KBR-000	PACKING, PROTECTOR	2	2	2		
3	18292-KPE-900	PACKING, PROTECTOR	2	2	2		
4	18293-MN0-000	RUBBER, PROTECTOR	2	2	2		
5	18305-KRH-900	MUFFLER SUB ASSY.	1	1	1		
6	18320-KRH-780	PIPE COMP., EX.	1	1	1		
7	18327-KRH-900	COLLAR, CHAMBER RR.(8.5X15) -	1	1	1		
8	18328-KRH-D20	RUBBER, CHAMBER RR. MOUNTING	1	1	1		
9	18345-KRH-900ZA	PROTECTOR, EX. PIPE					
10	18350-KRH-900	*NH106*.....HEATPROOF BLACK GUARD, MUFFLER	1	1	1		
11	18355-KRH-900	PROTECTOR COMP., MUFFLER	1	1	1		
12	18357-MCG-000	RUBBER, PROTECTOR MOUNTING ..	1	1	1		
13	18373-KRH-900	BAND, EX. PIPE	1	1	1		
14	18391-KRH-901	PACKING, MUFFLER	1	1	1		
15	18421-KFB-000	RUBBER, MUFFLER MOUNTING	1	1	1		
16	18422-KRH-900	COLLAR, MUFFLER MOUNTING	1	1	1		
17	83119-MG9-000	COLLAR, LOCK SETTING	1	1	1		
18	83512-KRH-900	RUBBER, SIDE COVER	1	1	1		
19	90117-KRH-900	BOLT, FLANGE, 8X40	1	1	1		
20	90305-KSP-900	NUT, EXHAUST PIPE, 8MM	2	2	2		
21	94001-06800	WASHER, PLAIN, 6MM	1	1	1		
22	94050-08070	NUT, FLANGE, 8MM	1	1	1		
23	94103-08700	WASHER, PLAIN, 8MM	1	1	1		
24	95701-06014-00	BOLT, FLANGE, 6X14	1	1	1		



Ref. No.	Part No.	Description	Reqd. QTY			Serial No.	Parts catalogue code
			XR125 LEK C	XL125 LK C	XL125 LK C		

25	95701-08030-07	BOLT, FLANGE, 8X30	1	1	1		
26	95701-08045-07	BOLT, FLANGE, 8X45	1	1	1		
27	96001-06010-02	BOLT, FLANGE, 6X10	2	2	2		
28	96001-06010-07	BOLT, FLANGE, 6X10	2	2	2		

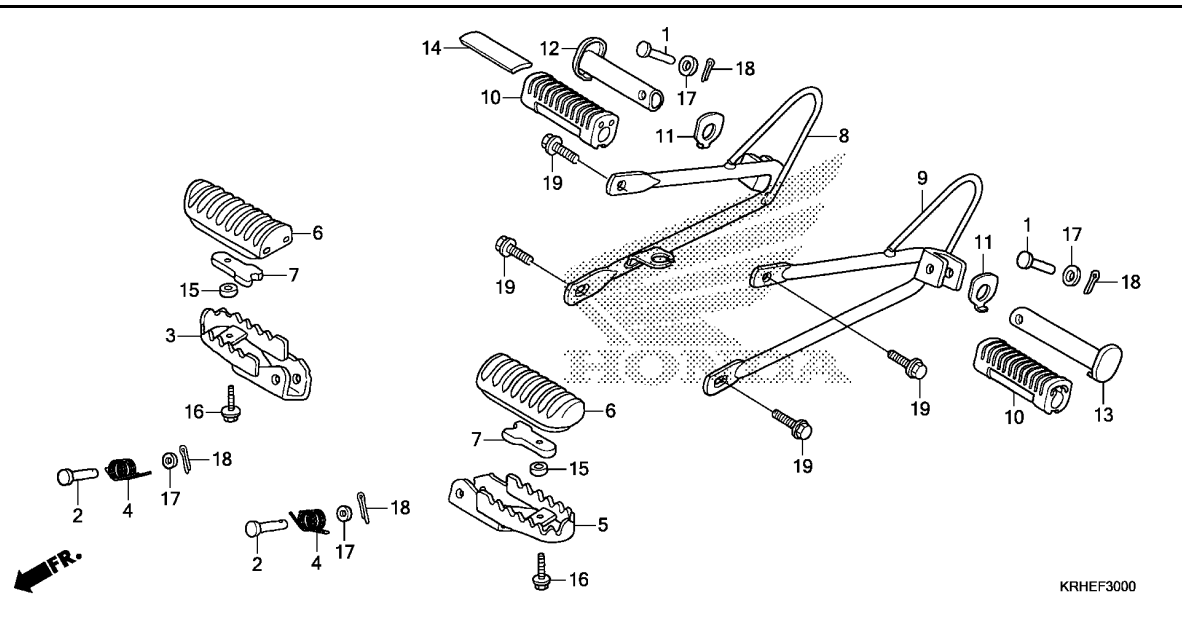


Ref. No.	L.O.N.	(Relative ref. Number) Description	F.R.T.
1	4101A1	PEDAL, GEAR CHANGE	0.1
4	112107	ARM, KICK STARTER	0.1
6	6151B5	SWITCH, REAR STOP :PEDAL SIDE	0.3
8	811135	ROD, REAR BRAKE	0.2
12	810160	PEDAL, REAR BRAKE	0.2

KRHEF2900

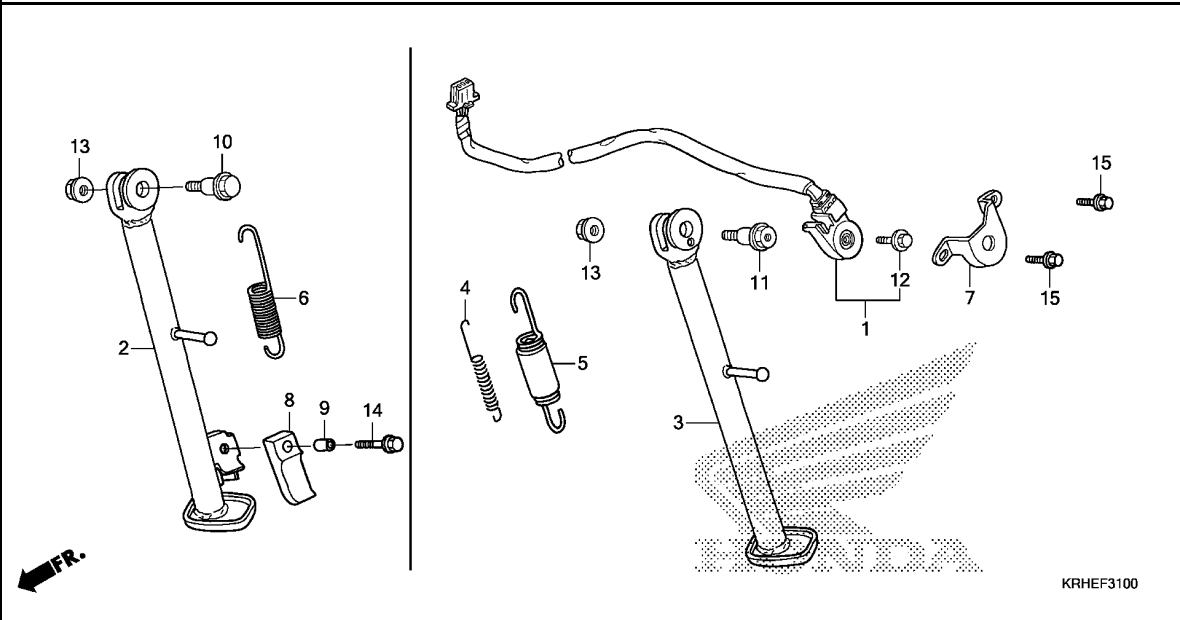


Ref. No.	Part No.	Description	Reqd. QTY			Serial No.	Parts catalogue code
			XR125 LEK C	XL125 LK C	XL125 LK C		
1	24710-KRH-900	PEDAL COMP., CHANGE	1	1	1		
2	24781-KRH-900	RUBBER, CHANGE PEDAL	1	1	1		
3	28293-KRM-860	CLIP, KICK STARTER ARM	1	1	1		
4	28300-KRH-920	ARM ASSY., KICK STARTER	1	1	1		
5	28333-KK0-000	SPRING, KICK STARTER	1	1	1		
6	35350-KRH-781	SWITCH ASSY., RR. STOP	1	1	1		
7	35357-KRH-900	SPRING, STOP SWITCH	1	1	1		
8	43451-KRH-780	ROD COMP., RR. BRAKE	1	1	1		
9	43455-KRH-900	PIN C, JOINT	1	1	1		
10	43456-KRH-900	JOINT B, BRAKE ARM	1	1	1		
11	43472-KB9-750	SPRING A, BRAKE ROD	1	1	1		
12	46500-KRH-900	PEDAL COMP., BRAKE	1	1	1		
13	46513-KRH-900	SPRING SET, BRAKE PEDAL	1	1	1		
14	46525-KRH-900	DUST SEAL, 17X20X2.5	2	2	2		
15	90501-KRH-900	WASHER, BUSH	1	1	1		
16	90505-KRM-860	WASHER, 15.5X22	1	1	1		
17	92101-06020-OA	BOLT, HEX., 6X20	1	1	1		
18	94001-06200-OS	NUT, HEX., 6MM	1	1	1		
19	94201-20120	PIN, SPLIT, 2.0X12	1	1	1		
20	94201-30280	PIN, SPLIT, 3.0X28	1	1	1		
21	95015-42000	NUT B, BRAKE ROD ADJUSTING ..	1	1	1		
22	95701-06020-00	BOLT, FLANGE, 6X20	1	1	1		
23	95701-08035-00	BOLT, FLANGE, 8X35	1	1	1		
24	96211-08000	BALL, STEEL, #8(1/4)	1	1	1		



Ref. No.	L.O.N.	(Relative ref. Number) Description	F.R.T.
3	4101C6	BAR, MAIN STEP :RIGHT	0.2
5	4101C5	BAR, MAIN STEP :LEFT	0.2
	4101J1	BAR, MAIN STEP :BOTH	0.3
6	4101D3	RUBBER, STEP :LEFT	0.1
	4101D4	RUBBER, STEP :RIGHT	0.1
	4101L8	RUBBER, STEP :BOTH	0.2
8	4101D0	BRACKET, PILLION STEP :RIGHT ..	0.1
9	4101C9	BRACKET, PILLION STEP :LEFT ..	0.1
	4101K4	BRACKET, PILLION STEP :BOTH ..	0.2
12		(10)	
	4101C8	BAR, PILLION STEP :RIGHT	0.1
13		(10)	
	4101C7	BAR, PILLION STEP :LEFT	0.1
	4101P4	BAR, PILLION STEP :BOTH	0.2

Ref. No.	Part No.	Description	Reqd. QTY			Serial No.	Parts catalogue code
			XR125 LEK C	LK C	XL125 LK C		
1	50603-KEJ-900	PIN, MAIN STEP BAR JOINT	2	2	2		
2	50603-KRH-900	PIN, STEP BAR JOINT	2	2	2		
3	50612-KRH-900	STEP COMP., R.	1	1	1		
4	50617-KRH-900	SPRING, STEP RETURN	2	2	2		
5	50642-KRH-900	STEP COMP., L.	1	1	1		
6	50661-KRH-900	RUBBER, STEP	2	2	-		
7	50662-KRH-900	PLATE, STEP RUBBER SETTING ..	2	2	-		
8	50701-KRH-900	BRACKET COMP., R. PILLION STEP	1	1	1		
9	50706-KRH-900	BRACKET COMP., L. PILLION STEP	1	1	1		
10	50710-KGA-940	RUBBER, PILLION STEP	2	2	2		
11	50712-KRH-900	PLATE, PILLION STEP	2	2	2		
12	50713-KRH-900	BAR, R. PILLION STEP	1	1	1		
13	50714-KRH-900	BAR, L. PILLION STEP	1	1	1		
14	50715-KRH-900	WEIGHT, PILLION STEP	1	1	1		
15	52156-KRH-900	COLLAR, 6.5X4	2	2	-		
16	90112-GW3-000	BOLT, FLANGE, 6X14	2	2	-		
17	94101-08000	WASHER, PLAIN, 8MM	4	4	4		
18	94201-20150	PIN, SPLIT, 2.0X15	4	4	4		
19	95701-08018-00	BOLT, FLANGE, 8X18	4	4	4		

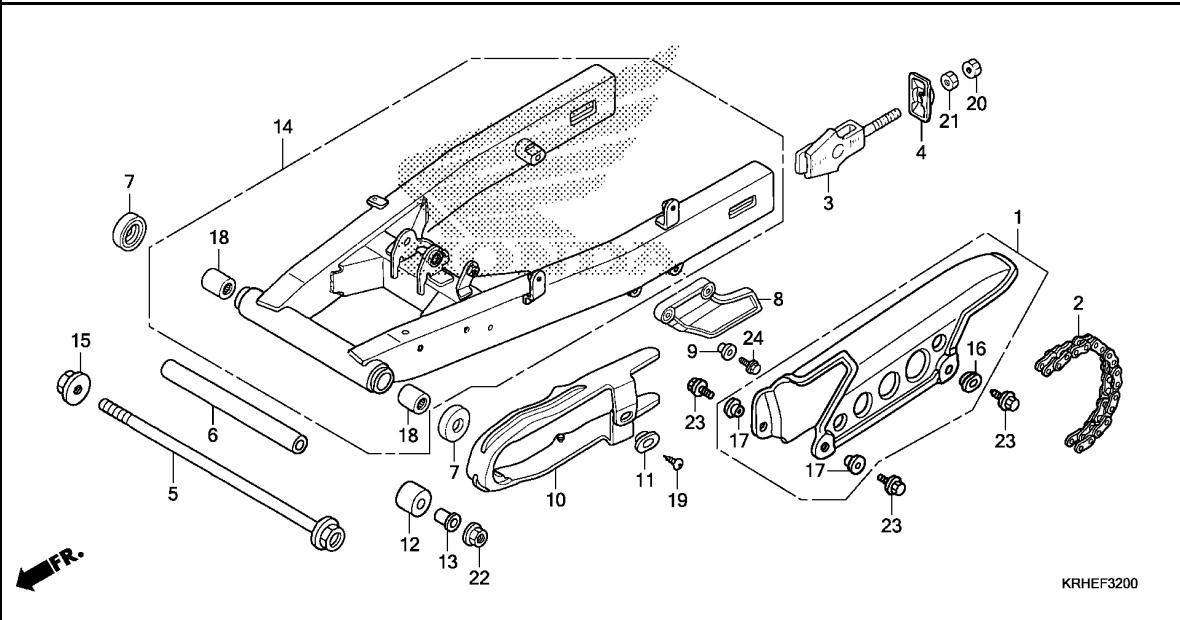


Ref. No.	L.O.N.	(Relative ref. Number) Description	F.R.T.
1	615195	SWITCH, SIDE STAND	0.3
3		(2)	
3	410180	BAR, SIDE STAND	0.2
5		(4,6)	
5	410182	SPRING, SIDE STAND	0.1
.NOTE: Same time for two units			

KRHEF3100

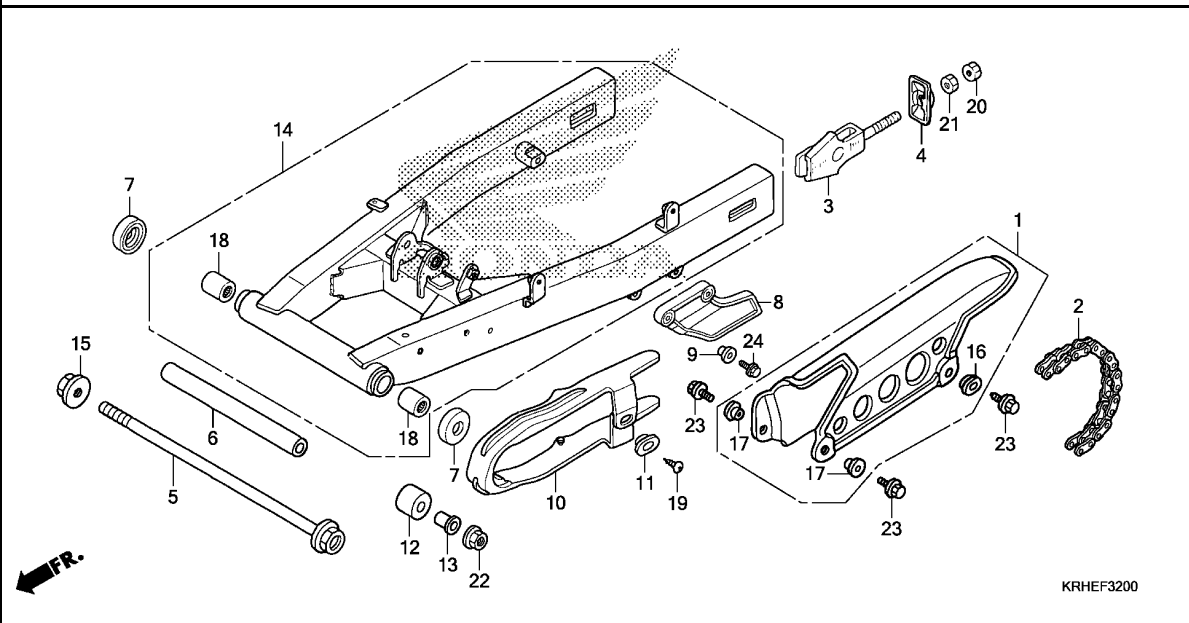
3

Ref. No.	Part No.	Description	Reqd. QTY			Serial No.	Parts catalogue code
			XR125 LEK C	XL125 LK C	XL125 LK C		
1	35070-KRH-900	SWITCH SET, SIDE STAND	1	-	-	-----	NZ
2	50530-KRH-A00	BAR COMP., SIDE STAND	1	1	-	-----	1LA,3LA,CO,DK
	50530-KRH-780	-	-	1	-----	
3	50530-KRH-900	BAR COMP., SIDE STAND	1	-	-	-----	NZ
4	50538-KRH-900	SPRING, SIDE STAND SUB	1	-	-	-----	NZ
5	50540-KRH-900	SPRING ASSY., SIDE STAND	1	-	-	-----	NZ
6	50540-KRH-920	SPRING, SIDE STAND	1	1	1	-----	1LA,2DK,3LA,CO,DK
7	50547-KRH-900	GUARD, SIDE STAND SWITCH	1	-	-	-----	NZ
8	50548-356-700	RUBBER, STAND	1	1	1	-----	1LA,2DK,3LA,CO,DK
9	50549-356-700	COLLAR, STAND RUBBER SETTING	1	1	1	-----	1LA,2DK,3LA,CO,DK
10	90108-KRH-780	BOLT, SIDE STAND PIVOT	1	1	1	-----	1LA,2DK,3LA,CO,DK
11	90108-KRH-900	BOLT, SIDE STAND PIVOT	1	-	-	-----	NZ
12	90147-MCE-950	BOLT, SPECIAL, 6X16	1	-	-	-----	NZ
13	90203-MF9-710	NUT, SIDE STAND	1	1	1	-----	
14	95701-06025-07	BOLT, FLANGE, 6X25	1	1	1	-----	1LA,2DK,3LA,CO,DK
15	96001-06010-07	BOLT, FLANGE, 6X10	2	-	-	-----	NZ



Ref. No.	L.O.N.	(Relative ref. Number) Description	F.R.T.
1	410195	CASE, DRIVE CHAIN	0.1
2	2131M1	CHAIN, DRIVE(ENDLESS)	0.6
6	5121H5	COLLAR, SWINGARM	0.7
8	4101J3	GUARD, CHAIN	0.1
10	4101E5	SLIDER, CHAIN	0.3
12	4101E4	ROLLER, CHAIN TENSIONER	0.1
14	5121B0	SWINGARM ASSEMBLY	0.9
18	5121C8	BEARING, SWINGARM PIVOT :LEFT	1.0
	5121C9	BEARING, SWINGARM PIVOT :RIGHT	1.0
	5121D0	BEARING, SWINGARM PIVOT :BOTH	1.2

Ref. No.	Part No.	Description	Reqd. QTY			Serial No.	Parts catalogue code
			XR125 LEK C	XL125 LK C	XL125 LK C		
1	40510-KRH-900	CASE, DRIVE CHAIN	1	1	1		
2	40530-KRH-781	CHAIN, DRIVE(CHOHO) (428H0-130LE)	1	1	1		
3	40543-KRH-900	ADJUSTER, CHAIN	2	2	2		
4	40546-KRH-900	CAP, RR. FORK END	2	2	2		
5	52101-KRH-900	BOLT, SWINGARM PIVOT	1	1	1		
6	52141-KRH-900	COLLAR, SWINGARM PIVOT CENTER DISTANCE	1	1	1		
7	52144-356-003	CAP, SWINGARM DUST SEAL(ARAI)	2	2	2		
	52144-356-005	CAP, SWINGARM DUST SEAL(NOK)	2	2	2		
8	52155-KRH-900	GUARD, CHAIN	1	1	1		
9	52159-KRH-900	COLLAR, CHAIN GUARD	2	2	2		
10	52170-KRH-780	SLIDER, CHAIN	1	1	1		
11	52171-KRH-900	WASHER, CHAIN SLIDER	1	1	1		
12	52175-KRE-900	ROLLER, CHAIN	1	1	1		
13	52176-KRH-900	COLLAR, CHAIN ROLLER	1	1	1		
14	52200-KRH-780ZA	SWINGARM SUB ASSY., RR. *NH411M*FORCE SILVER METALLIC	1	1	1		
15	90305-KYA-601	NUT, FLANGE, 14MM(PT)	1	1	1		
16	90505-KRH-900	WASHER, 6X9	1	1	1		
17	90512-KRH-900	WASHER, 6.5X20	2	2	2		
18	91070-GC4-601	BEARING, NEEDLE, 20X26X20(NTN)	2	2	2		
19	93901-25080	SCREW, TAPPING, 5X8	1	1	1		
20	94002-08000-0S	NUT, HEX., 8MM	2	2	2		
21	94030-08000	NUT, HEX., 8MM	2	2	2		



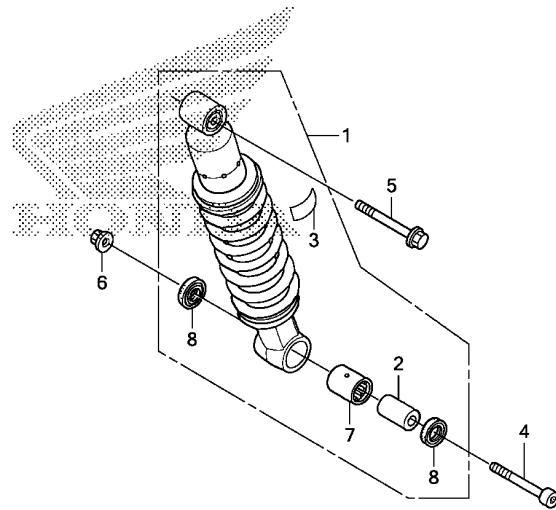
Ref. No.	Part No.	Description	Reqd. QTY			Serial No.	Parts catalogue code
			XR125 LEK C	XL125 LK C	XL125 LK C		

22	94050-06000	NUT, FLANGE, 6MM	1	1	1		
23	95701-06012-00	BOLT, FLANGE, 6X12	3	3	3		
24	95701-06020-00	BOLT, FLANGE, 6X20	2	2	2		

F-33

REAR CUSHION

13



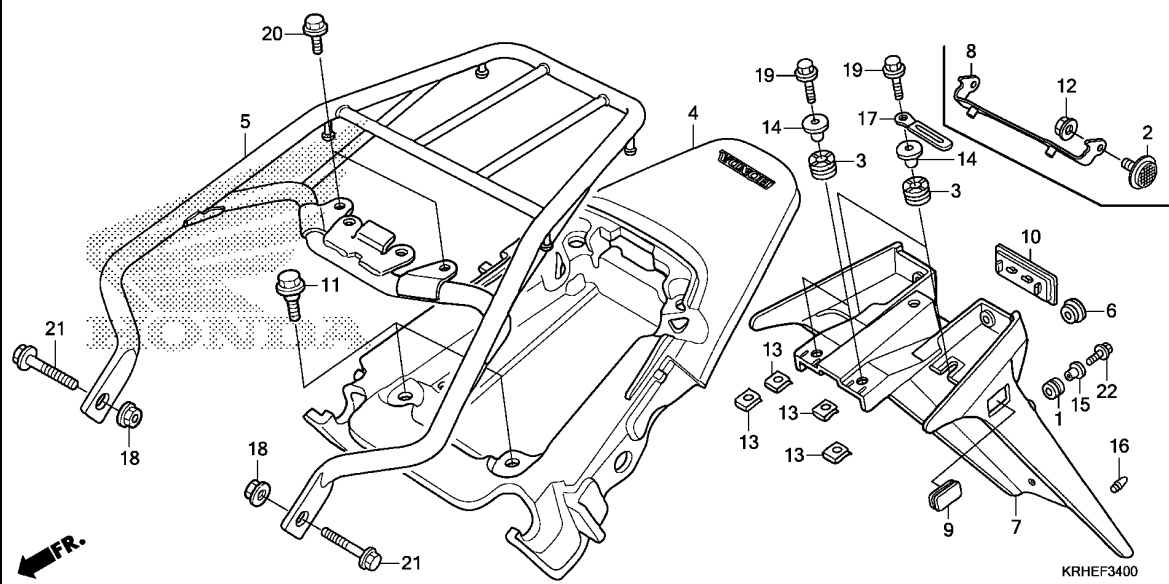
FR.

KRHEF3300

Ref. No.	L.O.N.	(Relative ref. Number) Description	F.R.T.
1	512115	CUSHION ASSY., REAR	0.4
7	5121D1	BEARING, REAR CUSHION	0.6

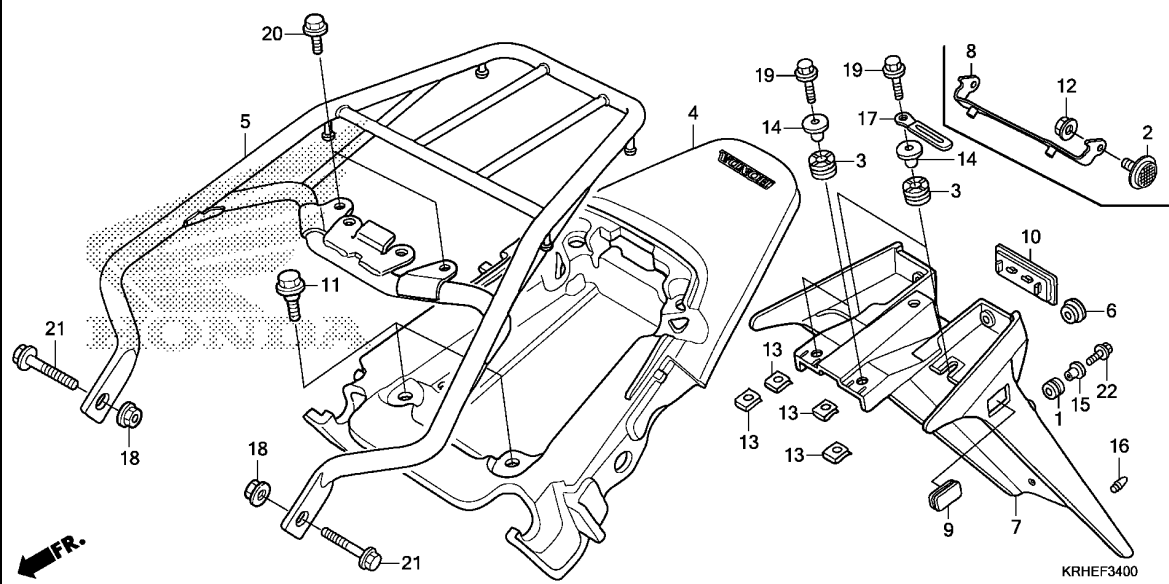
Ref. No.	Part No.	Description	Reqd. QTY			Serial No.	Parts catalogue code
			XR125 LEK C	XL125 LK C	XL125 LK C		
1	52400-KRH-901	CUSHION ASSY., RR.	1	1	-		
	52400-KRH-781	-	-	1		
2	52463-KRH-901	COLLAR, CUSHION CONNECTING ROD	1	1	1		
3	87516-KRH-901	LABEL, RR. DAMPER(ENGLISH) ..	1	1	-		
	87516-MCA-G60	LABEL, RR. DAMPER(PICTOGRAPH)	-	-	1		
4	90107-MBL-610	BOLT, SOCKET, 10X57	1	1	1		
5	90155-KRH-900	BOLT, FLANGE, 10X52	1	1	1		
6	90304-GE8-003	NUT, U, 10MM(FUSE RASHI)	1	1	1		
	90304-KYA-601	NUT, FLANGE, 10MM(PT)	1	1	1		
7	91072-KRH-901	BEARING, NEEDLE, 17X24X20 ...	1	1	1		
8	91262-KRH-901	DUST SEAL, 17X24X4	2	2	2		

3



Ref. No.	L.O.N.	(Relative ref. Number) Description	F.R.T.
4	411135	COWL, REAR	0.2
5	410165	CARRIER, LUGGAGE	0.2
7	6161P6	BRACKET, TAILLIGHT	0.5

Ref. No.	Part No.	Description	Reqd. QTY			Serial No.	Parts catalogue code
			XR125 LEK	XL125 LK	XL125 LK		
1	33712-KT1-670	RUBBER, TAILLIGHT	2	2	-		
2	33741-KYY-901	REFLECTOR, REFLEX	2	-	-	----- 1LA	
	33741-KAK-971	REFLECTOR, FR. REFLEX	2	-	-	----- NZ	
3	37101-KRH-900	RUBBER, SPEEDOMETER	4	4	-		
4	80100-KRH-900ZA	COWL SET, RR.(WL)					
	NH1BLACK	1	1	-		
	80100-KRH-900ZB	*NH196*.....ROSS WHITE	1	1	-		
	80100-KRH-900ZC	*R134*.....FIGHTING RED	1	1	-		
5	81200-KRH-780ZA	CARRIER COMP., RR.					
	NH1BLACK	1	1	-		
6	83551-376-000	GROMMET, SIDE COVER	1	1	-		
7	84701-KRH-900	BASE COMP., NUMBER PLATE	1	1	-		
8	84704-KRH-A50	STAY, RR. REFLEX REFLECTOR ..	1	-	-	----- 1LA,NZ	
9	84705-KRH-D00	CAP, NUMBER BRACKET	2	2	-		
10	84711-KRH-900	CAP, NUMBER PLATE BASE COMP.	1	1	-		
11	90111-162-000	BOLT, FLANGE, 6MM	2	2	-		
12	90301-KEJ-900	NUT, SPECIAL, 6MM	2	-	-	----- 1LA	
	90301-473-003	NUT, U, 6MM(FUSERASHI)	2	-	-	----- 1LA,NZ	
13	90311-KRH-900	NUT, CLIP, 6MM	4	4	-		
14	90502-KRH-780	COLLAR, RR. FENDER	4	4	-		
15	90508-KRH-900	COLLAR C	2	2	-	----- 3LA,CO,DK	
16	90899-KRH-900	PLUG, CONE	2	2	-		
17	91406-166-000	CLIP, WIRE	2	-	-		
		(L. SIDE ONLY)	-	1	-		
18	94050-08000	NUT, FLANGE, 8MM	2	2	-		
19	95701-06022-00	BOLT, FLANGE, 6X22	4	4	-		



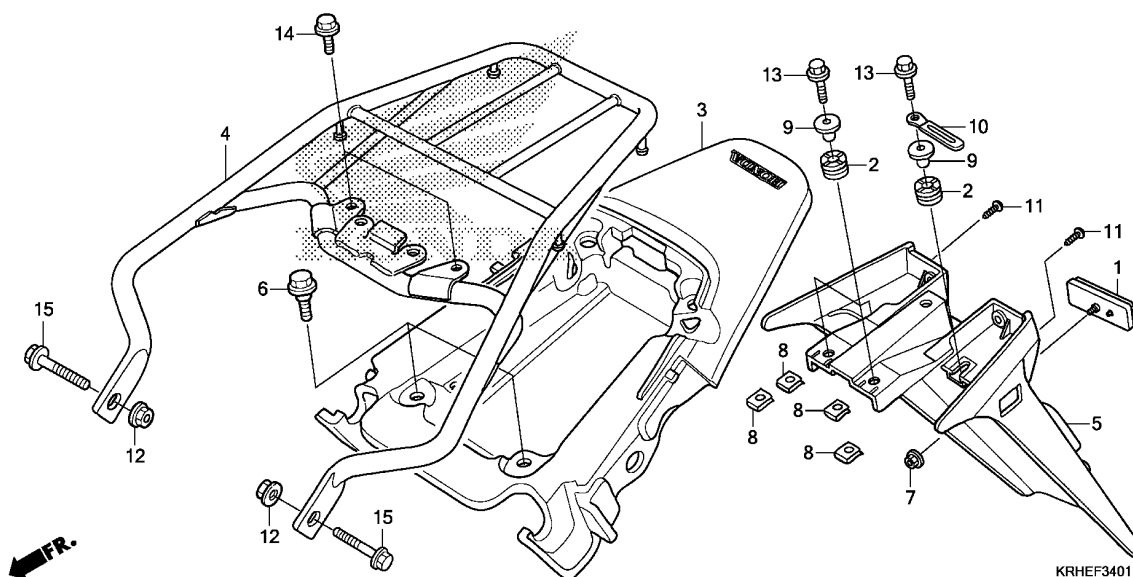
Ref. No.	Part No.	Description	Reqd. QTY			Serial No.	Parts catalogue code
			XR125 LEK	XL125 LK	XL125 LK		

20	95701-08018-00	BOLT, FLANGE, 8X18	2	2	-		
21	95701-08045-00	BOLT, FLANGE, 8X45	2	2	-		
22	96001-06018-07	BOLT, FLANGE, 6X18	2	2	-		

F-34-1

REAR FENDER(XL125LK)

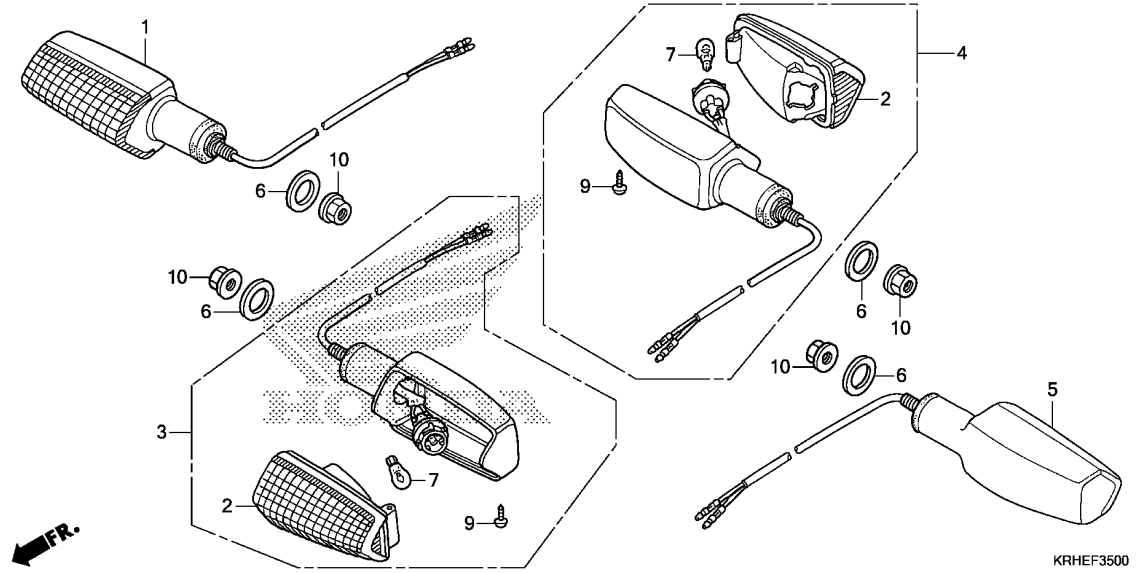
16



Ref. No.	L.O.N.	(Relative ref. Number) Description	F.R.T.
3	411135	COWL, REAR	0.2
4	410165	CARRIER, LUGGAGE	0.2
5	6161P6	BRACKET, TAILLIGHT	0.5

3

Ref. No.	Part No.	Description	Reqd. QTY			Serial No.	Parts catalogue code
			XR125 LEK	XL125 LK	XL125 LK		
1	33741-KTT-951	REFLECTOR, RR. REFLEX	-	-	1		
2	37101-KRH-900	RUBBER, SPEEDOMETER	-	-	4		
3	80100-KRH-900ZB	COWL SET, RR.(WL) *NH196*.....ROSS WHITE	-	-	1		
	80100-KRH-900ZC	*R134*.....FIGHTING RED	-	-	1		
4	81200-KRH-780ZA	CARRIER COMP., RR. *NH1*.....BLACK	-	-	1		
5	84701-KRH-780	BASE, NUMBER PLATE	-	-	1		
6	90111-162-000	BOLT, FLANGE, 6MM	-	-	2		
7	90301-GFM-890	NUT, SPECIAL, 5MM	-	-	1		
	90301-MG8-000	NUT, FLANGE, 5MM(FUSE RASHI)	-	-	1		
8	90311-KRH-900	NUT, CLIP, 6MM	-	-	4		
9	90502-KRH-780	COLLAR, RR. FENDER	-	-	4		
10	91413-KRH-900	CLIP, 2X70	-	-	1		
11	93913-25520	SCREW, TAPPING, 5X20(P0)	-	-	2		
12	94050-08000	NUT, FLANGE, 8MM	-	-	2		
13	95701-06022-00	BOLT, FLANGE, 6X22	-	-	4		
14	95701-08018-00	BOLT, FLANGE, 8X18	-	-	2		
15	95701-08045-00	BOLT, FLANGE, 8X45	-	-	2		



Ref. No.	L.O.N.	(Relative ref. Number) Description	F.R.T.
1	6161C4	WINKER :RIGHT FRONT	0.2
3	6161C3	WINKER :LEFT FRONT	0.2
	6161C5	WINKER :BOTH FRONT	0.3
4	6161C7	WINKER :RIGHT REAR	0.3
5	6161C6	WINKER :LEFT REAR	0.3
	6161C8	WINKER :BOTH REAR	0.4
7		(2)	
	616133	BULB, WINKER :FRONT	0.1
		.NOTE: Same time for two units	
	616139	BULB, WINKER :REAR	0.1
		.NOTE: Same time for two units	
	6161G0	BULB, WINKER :FOR 1 VEHICLE ..	0.2

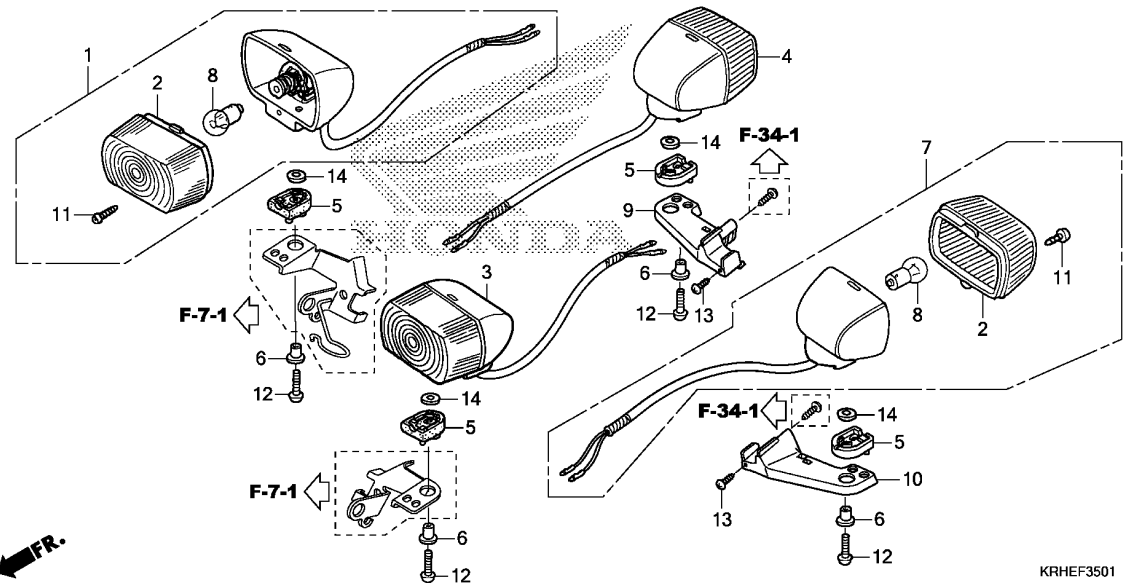
Ref. No.	Part No.	Description	Reqd. QTY			Serial No.	Parts catalogue code
			XR125 LEK	XL125 LK	XL125 LK		
1	33400-KRH-901	WINKER ASSY., R. FR.(12V/16W)	1	1	-		
2	33410-KRH-901	LENS COMP.	4	4	-		
3	33450-KRH-901	WINKER ASSY., L. FR.(12V/16W)	1	1	-		
4	33600-KRH-901	WINKER ASSY., R. RR.(12V 16W)	1	1	-		
5	33650-KRH-901	WINKER ASSY., L. RR.(12V 16W)	1	1	-		
6	33651-KRH-900	COLLAR, FR. WINKER	4	4	-		
7	34905-KRH-901	BULB, WINKER(12V 16W)	4	4	-		
9	93903-34380	SCREW, TAPPING, 4X12	4	4	-		
10	94050-10000	NUT, FLANGE, 10MM	4	4	-		



F-35-1

WINKER(XL125LK)

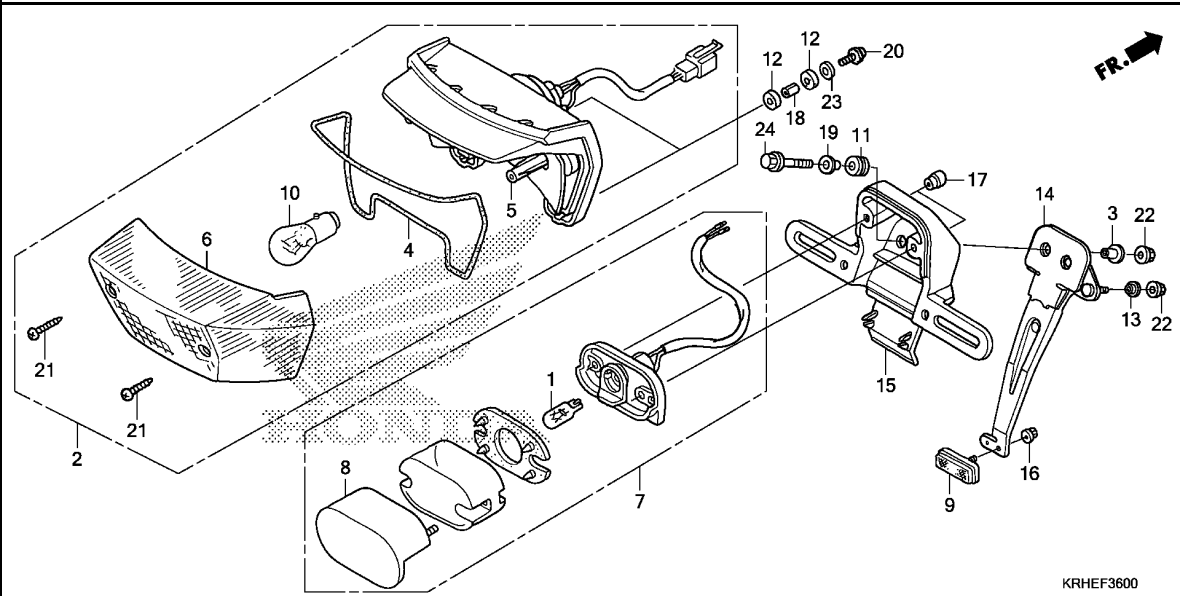
18



Ref. No.	L.O.N.	(Relative ref. Number) Description	F.R.T.
1	6161C4	WINKER :RIGHT FRONT	0.2
3	6161C3	WINKER :LEFT FRONT	0.2
	6161C5	WINKER :BOTH FRONT	0.3
4	6161C7	WINKER :RIGHT REAR	0.3
7	6161C6	WINKER :LEFT REAR	0.3
	6161C8	WINKER :BOTH REAR	0.4
8		(2)	
	616133	BULB, WINKER :FRONT	0.1
		.NOTE: Same time for two units	
	616139	BULB, WINKER :REAR	0.1
		.NOTE: Same time for two units	
	6161G0	BULB, WINKER :FOR 1 VEHICLE ..	0.2

3

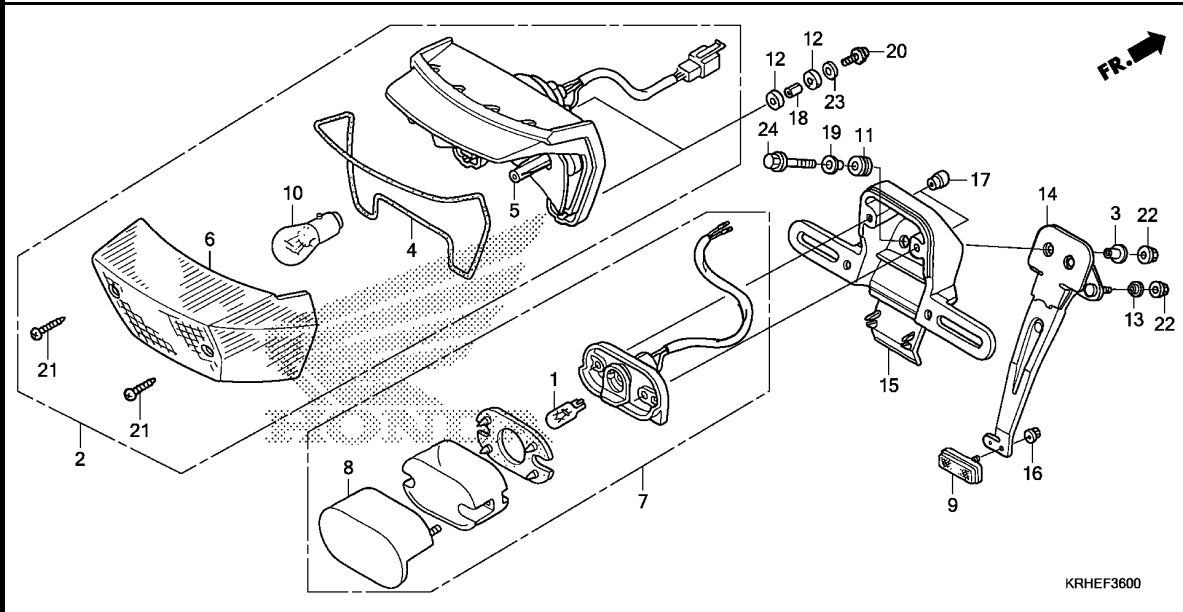
Ref. No.	Part No.	Description	Reqd. QTY			Serial No.	Parts catalogue code
			XR125 LEK	XL125 LK	XL125 LK		
1	33400-KRH-781	WINKER ASSY., R. FR.(12V 15W)	-	-	1		
2	33402-KRH-781	LENS, WINKER	-	-	4		
3	33450-KRH-781	WINKER ASSY., L. FR.(12V 15W)	-	-	1		
4	33600-KRH-781	WINKER ASSY., R. RR.(12V 15W)	-	-	1		
5	33611-KAE-000	RUBBER, WINKER	-	-	4		
6	33612-KAE-000	COLLAR, WINKER	-	-	4		
7	33650-KRH-781	WINKER ASSY., L. RR.(12V 15W)	-	-	1		
8	34905-MR7-003	BULB, WINKER(12V 15W)	-	-	4		
9	84710-KRH-780	STAY, R. RR. WINKER	-	-	1		
10	84720-KRH-780	STAY, L. RR. WINKER	-	-	1		
11	90104-GT4-000	SCREW, TAPPING, 3X14	-	-	4		
12	90140-KAE-000	SCREW, PAN, 4X28	-	-	4		
13	93913-25520	SCREW, TAPPING, 5X20(PO)	-	-	2		
14	94101-04800	WASHER, PLAIN, 4MM	-	-	4		



Ref. No.	L.O.N.	(Relative ref. Number) Description	F.R.T.
1		(8)	
1	6161F3	BULB, LICENSE LIGHT	0.1
2	6161D5	TAILLIGHT UNIT	0.3
5	6161E2	BASE, TAILLIGHT	0.3
7	6161D8	LIGHT, LICENSE	0.3
10		(4,6)	
10	6161G1	BULB, TAILLIGHT	0.1
15	4131K7	BRACKET, NUMBER PLATE	0.3

Ref. No.	Part No.	Description	Reqd. QTY			Serial No.	Parts catalogue code
			XR125 LEK C	XL125 LK C	XL125 LK C		
1	33301-KVJ-911	BULB, POSITION LIGHT(12V 5W)	1	1	-		
2	33700-KRH-901	TAILLIGHT UNIT(12V 21/5W) ...	1	1	-		
	33700-KRH-781	-	-	1		
3	33706-KRH-900	COLLAR, TAILLIGHT MOUNTING ..	2	2	-		
4	33708-KRH-901	PACKING, TAILLIGHT LENS	1	1	1		
5	33711-KRH-901	BASE COMP., TAILLIGHT	1	1	-		
	33711-KRH-781	-	-	1		
6	33712-KRH-901	LENS COMP., TAILLIGHT	1	1	-		
	33712-KRH-781	-	-	1		
7	33720-KRH-901	LIGHT ASSY., LICENSE(12V 5W)	1	1	-		
8	33723-KRH-901	COVER COMP., LICENSE	1	1	-		
9	33741-KRH-901	REFLECTOR, REFLEX	1	1	-		
10	34906-447-711	BULB, TAIL & STOP LIGHT (12V 21/5W)(STANLEY)	1	1	1		
11	61103-357-000	RUBBER, FR. FENDER MOUNTING ..	2	2	-		
12	77218-KRH-900	RUBBER, SEAT HINGE	4	4	4		
13	80112-KRH-900	COLLAR, FENDER COVER	3	3	-		
14	84702-KRH-900	STAY, NUMBER BRACKET	1	1	-		
15	84703-KRH-900	BRACKET, NUMBER PLATE	1	1	-		
16	90301-GFM-890	NUT, SPECIAL, 5MM	1	1	-		
	90301-MG8-000	NUT, FLANGE, 5MM(FUSE RASHI)	1	1	-		
17	90302-MB2-000	NUT, SPECIAL, 4MM	2	2	-		
18	90504-KRH-900	COLLAR, TAILLIGHT MOUNTING ..	2	2	2		
19	90512-KRH-900	WASHER, 6.5X20	2	2	-		
20	93500-05020-0A	SCREW, PAN, 5X20	2	2	2		

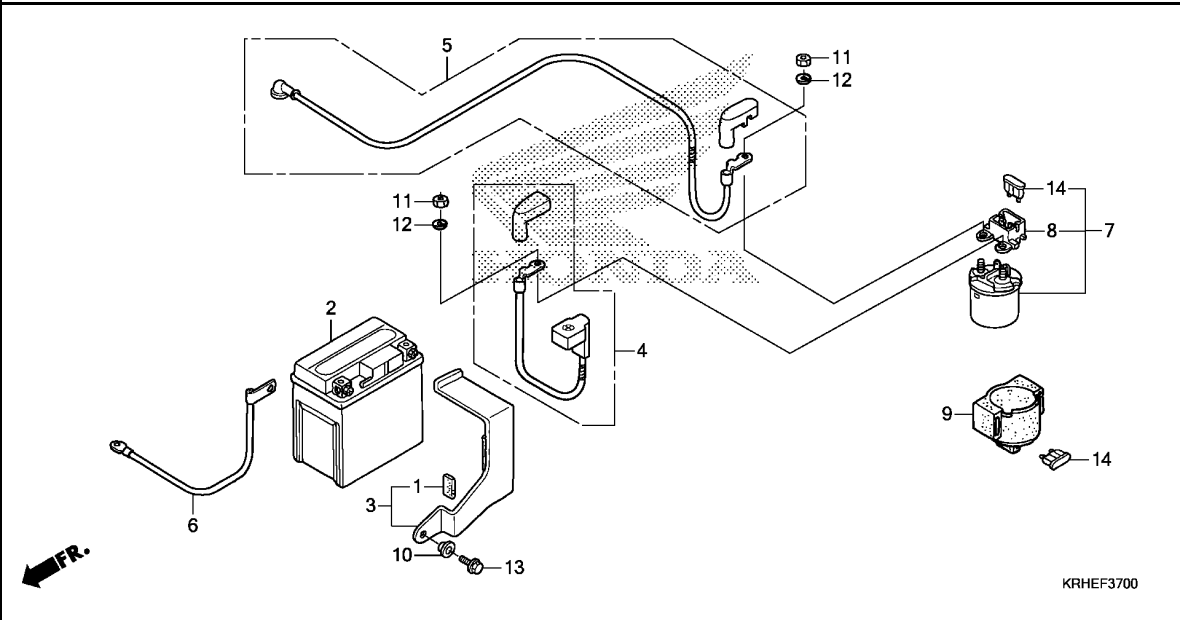




KRHEF3600

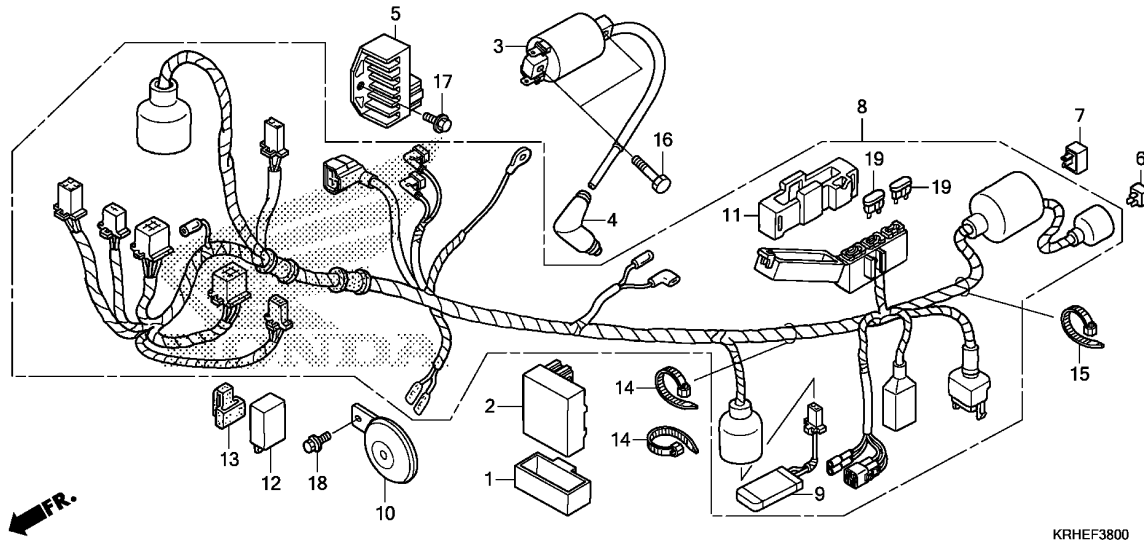
Ref. No.	Part No.	Description	Reqd. QTY			Serial No.	Parts catalogue code
			XR125 LEK C	LK LK C	XL125 LK C		

21	93901-24880	SCREW, TAPPING, 4X35	2	2	2		
22	94050-06000	NUT, FLANGE, 6MM	5	5	-		
23	94103-05000	WASHER, PLAIN, 5MM	2	2	2		
24	96001-06025-00	BOLT, FLANGE, 6X25	2	2	-		



Ref. No.	L.O.N.	(Relative ref. Number) Description	F.R.T.
2	610100	BATTERY	0.2
4	610105	CABLE, POSITIVE BATTERY	0.2
5	612115	CABLE, STARTER MOTOR	0.3
6	610110	CABLE, NEGATIVE BATTERY	0.2
7	615113	SWITCH, STARTER MAGNETIC	0.3

Ref. No.	Part No.	Description	Reqd. QTY			Serial No.	Parts catalogue code
			XR125 LEK C	XL125 LK C	XL125 LK C		
1	17518-KRE-900	RUBBER	1	1	1		
2	31500-KRH-931	BATTERY (YTX5L-BS) (TIANJIN YUASA)	1	-	-	-----	1LA,3LA,CO
	31500-KRP-981	1	-	-	-----	DK,NZ
	31500-GFC-782	BATTERY (YTX4L-BS) (YUASA)	-	1	1	-----	2DK,DK
	31500-KWS-842	-	1	-	-----	3LA
3	31510-KRH-900	BAND, BATTERY	1	-	-		
	31510-KRH-720	-	1	1		
4	32401-KRH-900	CABLE, STARTER MAGNETIC BATTERY	1	-	-		
5	32410-KRH-D20	CABLE, STARTER MOTOR	1	-	-		
6	32601-KRH-900	CABLE, BATTERY EARTH	1	-	-		
7	35850-KRH-A01	SWITCH ASSY., STARTER MAGNETIC	1	-	-		
8	35852-KRH-901	HOLDER COMP., FUSE	1	-	-		
9	35856-KRH-901	RUBBER, SHOCK	1	-	-		
10	61101-KRH-900	COLLAR, FR. FENDER SETTING(A)	1	1	1		
11	94002-06000-0S	NUT, HEX., 6MM	2	-	-		
12	94111-06000	WASHER, SPRING, 6MM	2	-	-		
13	95701-06016-00	BOLT, FLANGE, 6X16	1	1	1		
14	98200-31500	FUSE, BLADE(15A)	2	-	-		



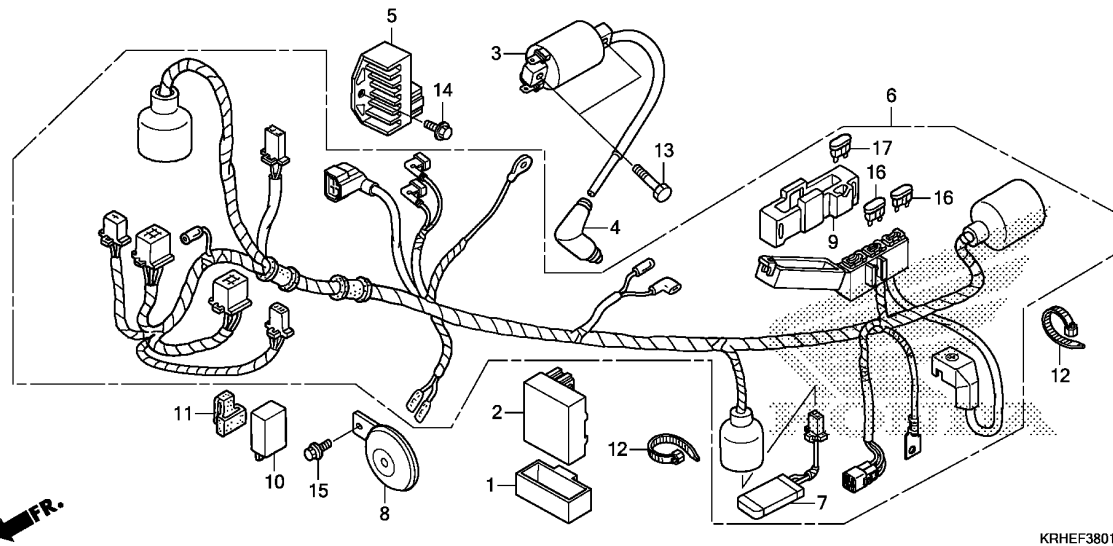
Ref. No.	L.O.N.	(Relative ref. Number) Description	F.R.T.
2	6141A1	IGNITION CONTROL MODULE	0.3
3	614105	COIL, IGNITION	0.4
5	6131B2	RECTIFIER, REGULATE	0.4
8	611100	HARNESS, WIRE	1.2
9	615185	SWITCH, THERMOSTAT	0.2
10	616169	HORN	0.1
12	6111C3	RELAY, WINKER	0.2

Ref. No.	Part No.	Description	Reqd. QTY			Serial No.	Parts catalogue code
			XR125 LEK	XL125 LK	XL125 LK		
1	30401-KRH-781	CUSHION, C.D.I. UNIT	1	-	-		
2	30410-KRH-A01	C.D.I. UNIT COMP., DIGITAL(DC)	1	-	-	-----	1LA,3LA,CO,DK
	30410-KRH-A41	1	-	-	-----	NZ
3	30500-KRH-781	COIL COMP., IGNITION	1	-	-		
4	30700-KRH-901	CAP ASSY., NOISE SUPPRESSOR ..	1	-	-		
5	31600-KRH-781	RECTIFIER COMP., REGULATE ...	1	-	-		
6	31700-KRH-901	RECTIFIER COMP., SILICON	1	-	-	-----	NZ
7	31700-KVX-701	RECTIFIER ASSY., SILICON	1	-	-		
8	32100-KRH-A00	HARNESS, WIRE	1	-	-	-----	1LA,DK
	32100-KRH-A10	1	-	-	-----	3LA,CO
	32100-KRH-A40	1	-	-	-----	NZ
9	35250-KRH-901	SWITCH ASSY., THERMOSTAT	1	-	-	-----	1LA,DK,NZ
10	38110-KRH-901	HORN COMP.(HIGH)	1	-	-		
11	38201-KRH-901	SUSPENSION, FUSE CASE(MINI 2P)	1	-	-		
12	38301-KRH-901	RELAY, WINKER	1	-	-		
13	38306-KRH-901	SUSPENSION, WINKER RELAY	1	-	-		
14	90650-KW3-000	BAND, WIRE	2	-	-		
15	90650-KW3-000	BAND, WIRE	1	-	-	-----	NZ
16	92101-06020-0A	BOLT, HEX., 6X20	2	-	-		
17	95701-06014-00	BOLT, FLANGE, 6X14	1	-	-		
18	95701-08012-07	BOLT, FLANGE, 8X12	1	-	-		
19	98200-41000	FUSE, MINI(10A)	2	-	-		

F-38-1

WIRE HARNESS(XR125LK/XL125LK)

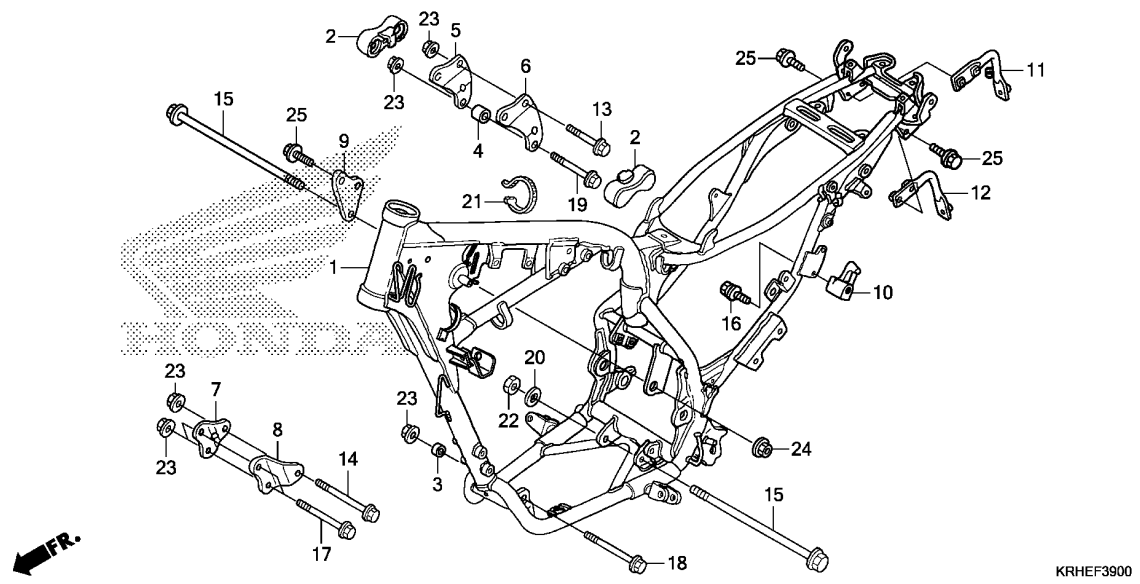
I13



Ref. No.	L.O.N.	(Relative ref. Number) Description	F.R.T.
2	6141A1	IGNITION CONTROL MODULE	0.3
3	614105	COIL, IGNITION	0.4
5	6131B2	RECTIFIER, REGULATE	0.4
6	611100	HARNESS, WIRE	1.2
7	615185	SWITCH, THERMOSTAT	0.2
8	616169	HORN	0.1
10	6111C3	RELAY, WINKER	0.2

Ref. No.	Part No.	Description	Reqd. QTY			Serial No.	Parts catalogue code
			XR125 LEK C	XL125 LK C	XL125 LK C		
1	30401-KRH-781	CUSHION, C.D.I. UNIT	-	1	1		
2	30410-KRH-A01	C.D.I. UNIT COMP., DIGITAL(DC)	-	1	-		
	30410-KRH-781	-	-	1		
3	30500-KRH-781	COIL COMP., IGNITION	-	1	1		
4	30700-KRH-901	CAP ASSY., NOISE SUPPRESSOR	-	1	1		
5	31600-KRH-781	RECTIFIER COMP., REGULATE	-	1	1		
6	32100-KRH-B10	HARNESS, WIRE	-	1	-	----- 3LA	
	32100-KRH-B00	-	1	-	----- DK	
	32100-KRH-780	-	-	1		
7	35250-KRH-901	SWITCH ASSY., THERMOSTAT	-	1	1	----- 2DK,DK	
8	38110-KRH-901	HORN COMP.(HIGH)	-	1	1		
9	38201-KRH-901	SUSPENSION, FUSE CASE(MINI 2P)	-	1	1		
10	38301-KRH-901	RELAY, WINKER	-	1	-		
	38301-KRH-781	RELAY COMP., WINKER	-	-	1		
11	38306-KRH-901	SUSPENSION, WINKER RELAY	-	1	-		
	38306-KYY-970	-	-	1		
12	90650-KW3-000	BAND, WIRE	-	2	2		
13	92101-06020-0A	BOLT, HEX., 6X20	-	2	2		
14	95701-06014-00	BOLT, FLANGE, 6X14	-	1	1		
15	95701-08012-07	BOLT, FLANGE, 8X12	-	1	1		
16	98200-41000	FUSE, MINI(10A)	-	2	2		
17	98200-41500	FUSE, MINI(15A)	-	2	2		

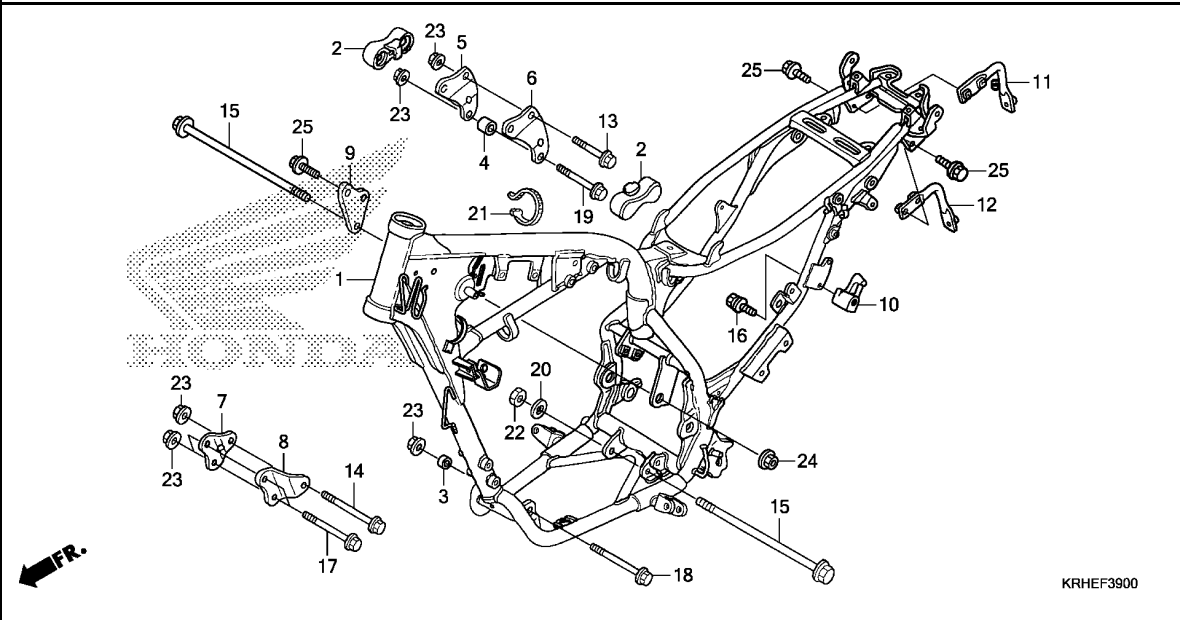
3



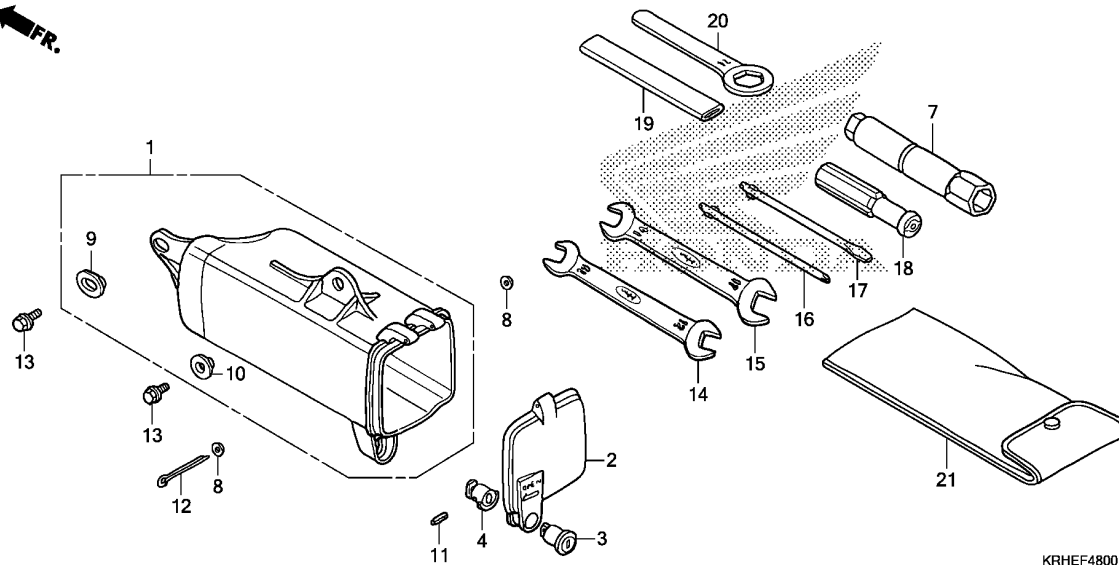
Ref. No.	L.O.N.	(Relative ref. Number) Description	F.R.T.
1	410100	BODY, FRAMEINCLUDES: Engine removal and installation	5.1
10	410197	LOCK, HELMET	0.2

KRHEF3900

Ref. No.	Part No.	Description	Reqd. QTY			Serial No.	Parts catalogue code
			XR125 LEK C	XL125 LK C	XL125 LK C		
1	50100-KRH-A00ZA	BODY COMP., FRAME					
		*NH262M*TERRA SILVER METALLIC	1	1	-	-----	1LA,3LA,CO,DK
	50100-KRH-A40ZA	*NH262M*TERRA SILVER METALLIC	1	-	-	-----	NZ
	50100-KRH-780ZA	*NH262M*TERRA SILVER METALLIC	-	-	1		
2	50212-KRH-900	RUBBER, TANK GUARD	2	2	2		
3	50318-KRH-780	COLLAR, ENGINE MOUNT	1	1	1		
4	50320-KRH-780	COLLAR, UPPER ENGINE HANGER MOUNT	1	1	1		
5	50522-KRH-780	PLATE, R. ENGINE HANGER UPPER	1	1	1		
6	50532-KRH-780	PLATE, L. ENGINE HANGER UPPER	1	1	1		
7	50533-KRH-900	PLATE, R. FR. ENGINE HANGER	1	1	-		
	50533-KRH-780	-	-	1		
8	50534-KRH-900	PLATE, L. FR. ENGINE HANGER	1	1	-		
	50534-KRH-780	-	-	1		
9	50537-KRH-780	PLATE, L. RR. ENGINE HANGER (R. SIDE)	1	1	1		
10	50710-KRH-901	HOLDER ASSY., HELMET	1	1	1		
11	84706-KRH-900	PIPE, R. SUPPORT	1	1	-		
12	84707-KRH-900	PIPE, L. SUPPORT	1	1	-		
13	90102-KRH-900	BOLT, FLANGE, 8X56	2	2	2		
14	90103-KRH-900	BOLT, FLANGE, 8X88	1	1	1		
15	90105-KRH-900	BOLT, FLANGE, 10X110	2	2	2		
16	90114-KRH-900	BOLT, BREAK OFF	1	1	1		
17	90154-KB7-700	BOLT, FLANGE, 8X73	2	2	2		
18	90156-KK6-000	BOLT, FLANGE, 8X96	1	1	1		
19	90156-KRH-780	BOLT, FLANGE, 8X72	1	1	1		



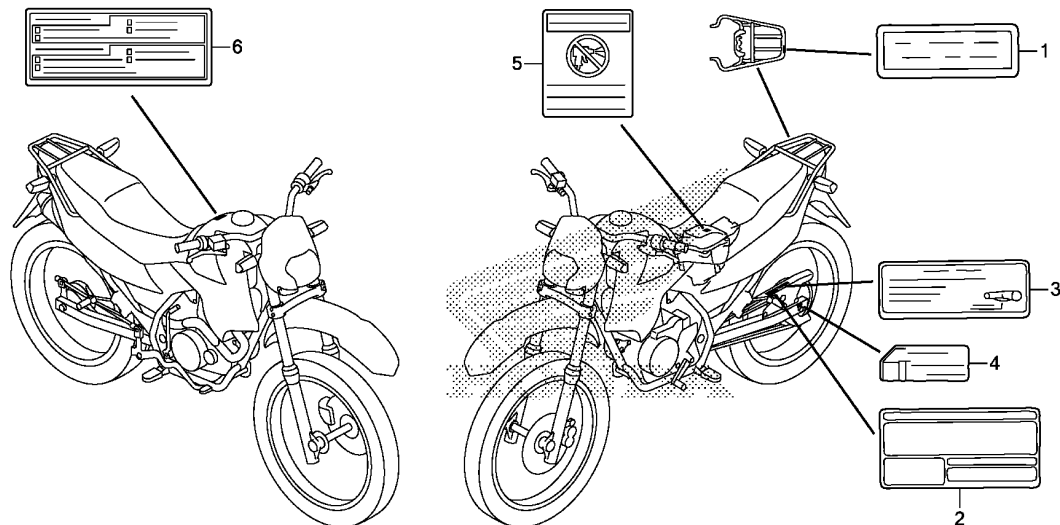
Ref. No.	Part No.	Description	Reqd. QTY			Serial No.	Parts catalogue code
			XR125 LEK C	XL125 LK C	XL125 LK C		
20	90510-KRH-900	WASHER, 10MM	1	1	1		
21	90651-KRH-900	BAND, WIRE	1	1	1		
22	94030-10200	NUT, HEX., 10MM	1	1	1		
23	94050-08000	NUT, FLANGE, 8MM	7	7	7		
24	94050-10000	NUT, FLANGE, 10MM	1	1	1		
25	95701-08016-00	BOLT, FLANGE, 8X16	6	6	2		



KRHEF4800

Ref. No.	L.O.N.	(Relative ref. Number) Description	F.R.T.
1	410190	BOX OR BAG, TOOL	0.2
2	4101B1	COVER, TOOL BOX	0.2

Ref. No.	Part No.	Description	Reqd. QTY			Serial No.	Parts catalogue code
			XR125 LEK C	LK C	XL125 LK C		
1	83502-KRH-900	BOX, TOOL	1	1	1		
2	83504-KRH-900	CAP, TOOL BOX	1	1	1		
3	83507-422-000	BODY, KEY	1	1	1		
4	83508-MR4-900	STOPPER, KEY BODY	1	1	1		
7	89216-KPH-C00	WRENCH, SPARK PLUG	1	1	1		
8	90231-GHR-600	WASHER, PLAIN, 3MM	2	2	2		
9	90505-KRH-900	WASHER, 6X9	1	1	1		
10	90512-KRH-900	WASHER, 6.5X20	1	1	1		
11	91501-MR4-900	PIN, SPRING, 2X14	1	1	1		
12	94201-30450	PIN, SPLIT, 3.0X45	1	1	1		
13	95701-06012-00	BOLT, FLANGE, 6X12	2	2	2		
14	99001-10120	SPANNER, 10X12	1	1	1		
15	99001-14170	SPANNER, 14X17	1	1	1		
16	99003-10000	DRIVER 1, PLUS SCREW(NO.2) ..	1	1	1		
17	99003-30000	DRIVER 3, MINUS SCREW(NO.2) ..	1	1	1		
18	99003-50000	GRIP, SCREW DRIVER	1	1	1		
19	99006-12000	HANDLE, EYE WRENCH, 12MM	1	1	1		
20	99006-24000	WRENCH, EYE, 24MM	1	1	1		
21	99008-01600	BAG, TOOL, 160MM	1	1	1		

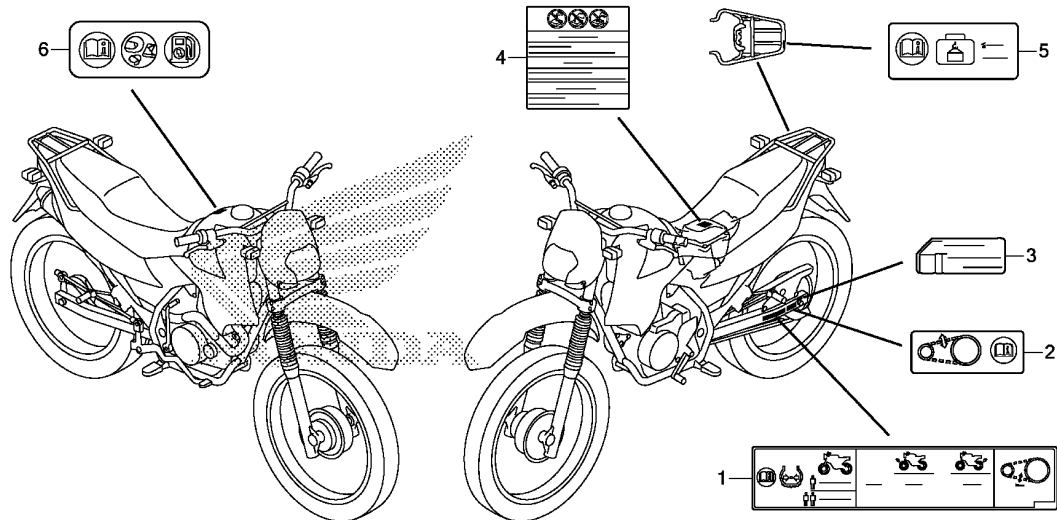


KRHEF4900

Ref. No. L.O.N. (Relative ref. Number) Description F.R.T.

NO INFORMATION

Ref. No.	Part No.	Description	Reqd. QTY			Serial No.	Parts catalogue code
			XR125 LEK	XL125 LK	XL125 LK		
1	81220-KRH-910	LABEL, RR. CARRIER(SPANISH) -	1	1	-	-----	1LA,3LA,CO
	81220-KV8-860ZA	LABEL, RR. CARRIER(ENGLISH)					
		TYPE2.....	1	1	-	-----	DK,NZ
2	87505-KRH-910	LABEL, TIRE(SPANISH)	1	1	-	-----	1LA,3LA,CO
	87505-KRH-900	LABEL, TIRE(ENGLISH)	1	1	-	-----	DK,NZ
3	87507-KRH-910	LABEL, DRIVE CHAIN(SPANISH) -	1	1	-	-----	1LA,3LA,CO
	87507-MZ8-W00	LABEL, DRIVE CHAIN(ENGLISH) -	1	1	-	-----	DK,NZ
4	87508-KRH-910	LABEL, CHAIN ADJUSTER(SPANISH)	1	1	-	-----	1LA,3LA,CO
	87508-MN8-670	LABEL, CHAIN ADJUSTER(ENGLISH)	1	1	-	-----	DK,NZ
5	87509-KVR-600	LABEL, AIR CLEANER ELEMENT					
		NOTICE	1	1	-	-----	1LA,3LA,CO
	87509-KWP-900	1	1	-	-----	DK,NZ
6	87560-KYY-600ZB	LABEL, DRIVE CAUTION(SPANISH)					
		TYPE1.....	1	1	-	-----	



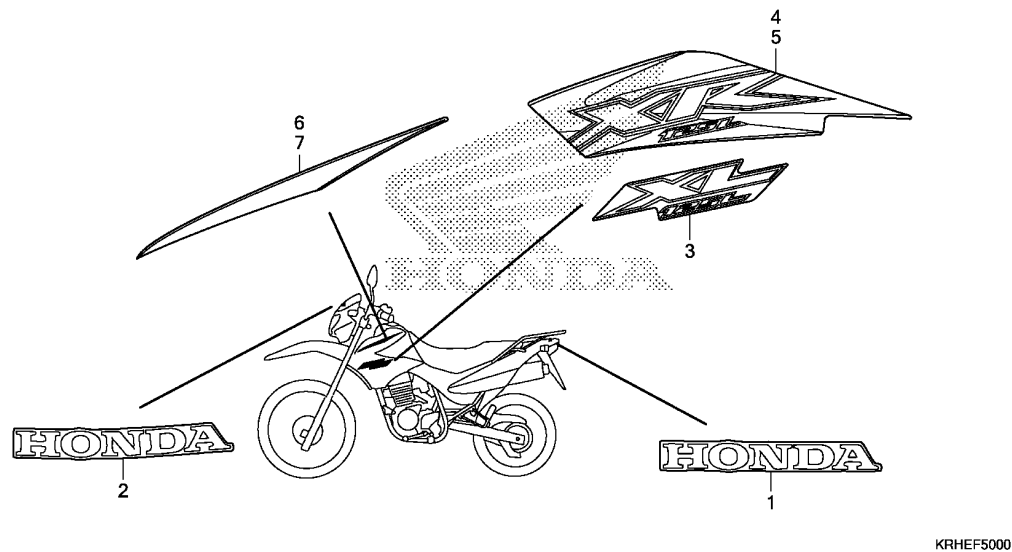
KRHEF4901

Ref. No.	L.O.N.	(Relative ref. Number)	Description	F.R.T.
----------	--------	------------------------	-------------	--------

NO INFORMATION

3

Ref. No.	Part No.	Description	Reqd. QTY			Serial No.	Parts catalogue code
			XR125 LEK C	XL125 LK C	XL125 LK C		
1	87505-KRH-780	LABEL, TIRE	-	-	1		
2	87507-KYJ-960	LABEL, DRIVE CHAIN	-	-	1		
3	87508-MN8-670	LABEL, CHAIN ADJUSTER(ENGLISH)	-	-	1		
	87508-MN8-730	LABEL, CHAIN ADJUSTER(FRENCH)	-	-	1		
	87508-MY5-B60	LABEL, CHAIN ADJUSTER (PORTUGUESE)	-	-	1		
4	87509-KRH-780	LABEL, AIR CLEANER ELEMENT NOTICE	-	-	1		
5	87520-MEW-D40	LABEL, CARGO LIMIT(5.0)	-	-	1		
6	87586-MGN-D00	LABEL, FUEL & DRIVE	-	-	1		



Ref. L.O.N. (Relative ref. Number) F.R.T.
No. Description

NO INFORMATION

Ref. No.	Part No.	Description	Reqd. QTY			Serial No.	Parts catalogue code
			XR125 LEK C	XL125 LK C	XL125 LK C		
1	61310-KRH-900ZA	MARK, RR. (HONDA)					
		TYPE1	1	1	1		
	61310-KRH-900ZC	*TYPE3*	1	1	1		
	61310-KRH-900ZB	*TYPE2*	1	1	-		
2	61315-KRH-900ZA	MARK, FR. (HONDA)					
		TYPE1	1	1	1		
	61315-KRH-900ZC	*TYPE3*	1	1	1		
	61315-KRH-900ZB	*TYPE2*	1	1	-		
3	86191-KRH-780ZA	MARK (XL125L)					
		TYPE2	-	-	2		
	86191-KRH-780ZB	*TYPE1*	-	-	2		
4	87126-KRH-900ZA	STRIPE A, R. SHROUD					
		TYPE1	1	1	-		
	87126-KRH-900ZB	*TYPE2*	1	1	-		
	87126-KRH-900ZC	*TYPE3*	1	1	-		
5	87127-KRH-900ZA	STRIPE A, L. SHROUD					
		TYPE1	1	1	-		
	87127-KRH-900ZB	*TYPE2*	1	1	-		
	87127-KRH-900ZC	*TYPE3*	1	1	-		
6	87128-KRH-900ZA	STRIPE B, R. SHROUD					
		TYPE1	1	1	-		
	87128-KRH-900ZB	*TYPE2*	1	1	-		
	87128-KRH-900ZC	*TYPE3*	1	1	-		
7	87129-KRH-900ZA	STRIPE B, L. SHROUD					
		TYPE1	1	1	-		
	87129-KRH-900ZB	*TYPE2*	1	1	-		
	87129-KRH-900ZC	*TYPE3*	1	1	-		



PART NO. INDEX

K 1

Part Number	Address	Page	Ref.	Part Number	Address	Page	Ref.	Part Number	Address	Page	Ref.	Part Number	Address	Page	Ref.				
06000				13000				16014-KGA-901 F4 55 4				17910-KRH-780 G5 61 1				22810-KRM-B00 E7 42 4			
06420-KRH-780	H4	76	1	13000-KVX-600	E15	50	1	16015-KRG-003	F4	55	5	17910-KRH-A00	G3	59	1	22815-KTT-900	E7	42	5
06420-KRH-900	H4	76	1	13011-KVX-600	E15	50	2	16016-KRE-901	F4	55	6	18000				22821-KRM-840	E7	42	6
06421-KRH-780	H4	76	2	13021-KVX-600	E15	50	2	16022-KRH-781	F4	55	7					22870-KRH-780	G3	59	2
06421-KRH-900	H4	76	2	13031-KVX-600	E15	50	2	16025-KRF-B41	F4	55	8	23000				22870-KRH-780	G5	61	2
06430-GBJ-J10	H3	75	1	13041-KVX-600	E15	50	2	16028-KEH-900	F4	55	9					18291-KRH-900	H12	84	1
06430-GCE-900	H3	75	1	13051-KVX-600	E15	50	2	16048-KRH-A01	F4	55	10	18292-KBR-000	H12	84	2	23121-KTT-900 E15 50 7			
06430-KRF-B80	G15	71	1	13101-KVX-600	E15	50	3	16070-KRH-901	F4	55	11	18292-KPE-900	H12	84	3				
06431-MA3-405	G14	70	1	13102-KVX-600	E15	50	3	16075-GHB-640	F4	55	12	18293-MNO-000	H12	84	4	23210-KRH-780	E16	51	1
06440-KRH-900	H1	73	1	13103-KVX-600	E15	50	3	16075-GHB-B70	F4	55	13	18305-KRH-900	H12	84	5	23220-KRH-780	E16	51	2
06441-KRH-780	G16	72	1	13104-KVX-600	E15	50	3	16100-KRH-781	F4	55	14	18320-KRH-780	H12	84	6	23421-KRH-780	E16	51	3
06441-KRH-900	H1	73	2	13105-KVX-600	E15	50	3	16100-KRH-A01	F4	55	14	18327-KRH-900	H12	84	7	23427-KRM-840	E16	51	4
06442-KRH-780	G16	72	2	13111-KVX-600	E15	50	4	16100-KRH-A11	F4	55	14	18328-KRH-D20	H12	84	8	23431-KPN-A00	E16	51	5
06450-KGA-B90	G15	71	1	13115-GN5-910	E15	50	5	16100-KRH-A21	F4	55	14	18345-KRH-900ZA	H12	84	9	23432-KRH-780	E16	51	6
06455-KHA-942	G14	70	2	13412-KTE-910	E15	50	6	16119-KRF-B41	F4	55	15	18355-KRH-900	H12	84	10	23432-KVX-600	E16	51	7
11000				14000				16148-KB1-921 F4 55 16				18357-KRH-900 H12 84 11				23432-KRH-780 E16 51 6			
								16151-KRH-950 F4 55 17				18357-MCG-000 H12 84 12				23432-KVX-600 E16 51 7			
11100-KRH-780	E14	49	1	14100-KVX-600	E4	39	2	16152-KRH-900	F4	55	18	18373-KRH-900	H12	84	13	23441-KPN-A00	E16	51	8
11100-KRH-A00	E14	49	1	14321-KRM-840	E5	40	1	16155-KFR-701	F4	55	19	18391-KRH-901	H12	84	14	23451-KPN-A00	E16	51	9
11108-KTT-900	E14	49	2	14401-KVJ-911	E5	40	2	16163-KCS-920	F4	55	20	18421-KFB-000	H12	84	15	23461-KPN-A00	E16	51	10
11200-KRH-780	E14	49	3	14430-KTT-900	E4	39	3	16165-KRH-781	F4	55	21	18422-KRH-900	H12	84	16	23471-KPN-A00	E16	51	11
11200-KRH-A00	E14	49	3	14451-KTT-900	E4	39	4	16168-382-014	F5	56	22	18600-KRH-A01	H11	83	7	23481-KPN-A00	E16	51	12
11215-KRM-840	E14	49	4	14510-KRM-842	E5	40	3	16172-KCP-J01	F5	56	23	18601-KRH-D20	H11	83	8	23491-KPN-A00	E16	51	13
11216-KRM-840	E14	49	5	14515-KRM-840	E5	40	4	16180-KRH-901	H11	83	4	18602-KRH-A00	H11	83	9	23501-KPN-A00	E16	51	14
11217-KRM-840	E14	49	6	14520-KTT-900	E5	40	5	16198-KRE-901	F5	56	24	18604-KRH-A00	H11	83	10	23801-KWF-940	E16	51	15
11330-KWK-900	E7	42	1	14560-KSP-910	E5	40	6	16199-KRH-781	F5	56	25	18605-KRH-D20	H11	83	11	23811-KR3-600	E16	51	16
11341-KWK-900	E10	45	1	14610-KSP-910	E5	40	7	16210-KRH-780	E2	37	7	18610-KRH-D20	H11	83	12	24000			
11344-KRH-900	H11	83	1	14711-KTE-910	E4	39	5	16210-KWK-900	E2	37	7	18640-KRH-A00	E1	36	7				
11360-KRH-780	E10	45	2	14721-KWF-900	E4	39	6	16214-KWK-900	E2	37	8	18656-KRH-900	H11	83	13	24211-KTT-900	F2	53	1
11365-KRH-780	E10	45	3	14751-KSP-910	E4	39	7	16905-KRH-900	H11	83	5	18657-KRH-D20	H11	83	14	24212-KVX-600	F2	53	2
11393-KWK-900	E7	42	2	14761-KSP-910	E4	39	8	16950-KRH-901	H6	78	1	18700-KWK-900	E1	36	8	24241-KRM-840	F2	53	3
11395-KWK-900	E10	45	4	14771-KSP-910	E4	39	9	17000				19000				24242-KRM-840	F2	53	4
				14777-KGH-900	E4	39	10									17211-KRH-780	H10	82	2
12000				15000				17214-KRH-780 H10 82 3				19040-KRH-A00 H6 78 10				24410-KTT-900	F2	53	6
								17215-KRH-900 H10 82 4				19100-KRH-780ZA H6 78 11				24430-KRM-B10 F2 53 7			
12100-KRH-780	E6	41	1	15100-KTT-900	E13	48	1	17217-KRH-900	H10	82	5	19100-KRH-780ZA	H6	78	11	24436-KRM-840	F2	53	8
12191-KWK-900	E6	41	2	15130-KTT-900	E13	48	2	17219-KRE-900	H10	82	6	19100-KRH-900ZA	H6	78	11	24610-KRM-840	F2	53	9
12195-KTE-910	E6	41	3	15331-KTT-900	E13	48	3	17222-KRH-780	H10	82	7	19100-KRH-900ZA	H6	78	11	24651-KRM-840	F2	53	10
12200-KRH-780	E2	37	1	15332-KTT-900	E13	48	4	17225-KRH-A00	H10	82	8	19100-KRH-900ZC	H6	78	11	24652-KRM-840	F2	53	11
12200-KRH-A00	E2	37	1	15421-KSP-910	E13	48	5	17229-KRE-900	H10	82	9	19200-KRH-780ZA	H6	78	12	24710-KRH-900	H14	86	1
12204-KRM-305	E2	37	2	15430-KSP-910	E13	48	6	17235-KRH-780	H10	82	10	19200-KRH-780ZB	H6	78	12	24781-KRH-900	H14	86	2
12209-GB4-682	E4	39	1	15436-KRM-840	E13	48	7	17235-KRH-900	H10	82	11	19200-KRH-900ZA	H6	78	12	28000			
12210-KVX-600	E2	37	3	15441-KCS-650	E13	48	8	17240-KRH-900	H10	82	11	19200-KRH-900ZB	H6	78	12				
12212-KRM-840	E2	37	4	15446-107-000	E13	48	9	17254-KRH-900	H10	82	12	19200-KRH-900ZC	H6	78	12	28110-KTT-901	E9	44	1
12213-KRM-840	E2	37	5	15459-KWK-900	E13	48	10	17260-KRH-900	H11	83	6	19200-KRH-900ZC	H6	78	12	28120-KYA-901	E9	44	2
12213-KTT-900	E2	37	5	15651-KPT-A00	E7	42	3	17316-KRH-900	H10	82	13	22000				28126-MN4-004	E9	44	2
12251-KTE-911	E2	37	6	15771-KV6-000	H11	83	2	17363-KCZ-950	H10	82	14					22100-KWK-900	E8	43	1
12251-KVX-A00	E2	37	6	15772-GW3-980	H11	83	3	17370-419-700	H10	82	15	22115-KSP-910	E8	43	2	28131-KTT-900	E9	44	4
12252-KVX-600	E2	37	6	15772-KVC-900	H10	82	1	17373-KRE-850	H10	82	16	22120-KTT-900	E8	43	3	28132-KN6-930	E9	44	5
12310-KWK-901	E1	36	1	16010-KCH-780	F4	55	1	17510-KRH-900ZA	H6	78	2	22120-KTT-900	E8	43	3	28133-KRM-850	E9	44	6
12311-KRH-780	E1	36	2	16012-KRH-781	F4	55	2	17517-KPF-900	H6	78	3	22201-KTT-900	E8	43	4	28211-KVS-600	F3	54	2
12391-KRM-840	E1	36	3	16013-KEH-900	F4	55	3	17518-KRE-900	H6	78	4	22202-KTT-900	E8	43	5	28212-KVS-600	F3	54	3
12396-KRM-840	E1	36	4	16000				17526-KRH-900 H6 78 5				22321-KTT-900 E8 43 6				28215-KWK-900	F3	54	4
12397-KWG-601	E1	36	5					17611-KRH-900 H6 78 6				22355-KTT-900 E8 43 7				28221-KRM-840	F3	54	5
12397-KYE-901	E1	36	5	17613-KRH-900 H6 78 7				17620-KRH-901 H6 78 8				22361-KTT-900 E8 43 8				28223-KRM-840	F3	54	6
12398-KWK-900	E1	36	6	17681-KRH-780 H6 78 9				17681-KRH-780 H6 78 9				22366-KRM-840 E8 43 9				28231-KWK-900	F3	54	7
												22401-KRM-840 E8 43 10				28251-KWG-600	F3	54	8

PART NO. INDEX

K 2

Part Number	Address	Page	Ref.	Part Number	Address	Page	Ref.	Part Number	Address	Page	Ref.	Part Number	Address	Page	Ref.
28261-KRM-840	F3	54	9	33000				35200-KRH-781	G3	59	5	42000			
28282-KRM-840	F3	54	10						G5	61	3	44713-KRH-901	H1	73	13
28293-KRM-860	H14	86	3	33118-KRH-901	G1	57	1	35201-KRH-901	G3	59	5	44800-KRH-901	H1	73	14
28300-KRH-920	H14	86	4	33120-KRH-901	G1	57	2	35250-KRH-901	I12	100	9	44806-KRH-780	G15	71	5
28333-KKO-000	H14	86	5	33130-KRH-901	G1	57	3		I13	101	7	44806-KRH-901	H1	73	15
				33301-KVJ-911	I9	97	1	35330-KRH-901	G3	59	6	42620-KRH-900	H4	76	6
30000				33400-KRH-781	I8	96	1	35340-KRH-781	G5	61	4	42635-KRH-780ZA	H4	76	7
				33400-KRH-901	I7	95	1	35340-MM5-600	G7	63	1	42650-KRH-780ZA	H4	76	8
30401-KRH-781	I12	100	1	33402-KRH-781	I8	96	2	35350-KRH-781	H14	86	6	42650-KRH-A00ZA	H4	76	8
	I13	101	1	33410-KRH-901	I7	95	2	35357-KRH-900	H14	86	7	42701-KRH-780	H4	76	9
30410-KRH-781	I13	101	2	33450-KRH-781	I8	96	3	35750-KYE-900	E14	49	7	42701-KRH-900	H4	76	9
30410-KRH-A01	I12	100	2	33450-KRH-901	I7	95	3	35751-KPH-900	F2	53	12	42711-KRH-781	H4	76	10
	I13	101	2	33600-KRH-781	I8	96	4	35752-KRM-840	F2	53	13	42711-KRH-901	H4	76	10
30410-KRH-A41	I12	100	2	33600-KRH-901	I7	95	4	35850-KRH-A01	I11	99	7	42712-KRH-781	H4	76	11
30500-KRH-781	I12	100	3	33611-KAE-000	I8	96	5	35852-KRH-901	I11	99	8	42712-KRH-901	H4	76	11
	I13	101	3	33612-KAE-000	I8	96	6	35856-KRH-901	I11	99	9	42713-KRH-781	H5	77	12
30700-KRH-901	I12	100	4	33650-KRH-781	I8	96	7					42713-KRH-901	H4	76	12
	I13	101	4	33650-KRH-901	I7	95	5	37000				43000			
				33651-KRH-900	I7	95	6	37101-KRH-900	H6	78	13	43100-KRH-900ZA	H3	75	2
31000				33700-KRH-781	I9	97	2		I4	92	3	43107-MAJ-G41	G14	70	3
				33700-KRH-901	I9	97	2	37200-KRH-781	G2	58	3	43141-KRH-900	H3	75	3
31110-KRH-781	E11	46	1	33706-KRH-900	I9	97	3	37200-KRH-901	G2	58	3	43142-KAS-890	G15	71	2
31110-KRH-A01	E11	46	1	33708-KRH-901	I9	97	4	37210-KRH-781	G2	58	4	43142-KRH-900	H3	75	4
31120-KRH-781	E11	46	2	33711-KRH-781	I9	97	5	37210-KRH-901	G2	58	4	43145-KRH-900	H3	75	5
31200-KRM-851	E12	47	1	33711-KRH-901	I9	97	5	37213-KRH-781	G2	58	4	43145-KRH-900	H3	75	5
31201-KPT-A01	E12	47	2	33712-KRH-781	I9	97	6	37213-KRH-901	G2	58	5	43151-110-000	H3	75	6
31204-KG8-004	E12	47	3	33712-KRH-901	I9	97	6	37213-KRH-901	G2	58	5	43151-329-000	G15	71	3
31205-KRM-851	E12	47	4	33712-KT1-670	I4	92	1	37220-KRH-901	G2	58	6	43151-KCW-870	G15	71	3
31206-KPH-881	E12	47	5	33720-KRH-901	I9	97	7	37223-KRH-901	G2	58	7	43352-568-003	G14	70	4
31207-MBE-008	E12	47	6	33723-KRH-901	I9	97	8	37230-KRH-901	G2	58	8	43353-461-771	G14	70	5
31500-GFC-782	I11	99	2	33741-KAK-971	I4	92	2	37233-KRH-901	G2	58	9	43410-KRH-900	H3	75	7
31500-KRH-931	I11	99	2	33741-KRH-901	I9	97	9	37243-MG2-000	G2	58	10	43411-KHA-940	H3	75	8
31500-KRP-981	I11	99	2	33741-KTT-951	I6	94	1					43451-KRH-780	H14	86	8
31500-KWS-842	I11	99	2	33741-KYY-901	I4	92	2	38000				43455-KRH-900	H14	86	9
31510-KRH-720	I11	99	3					38110-KRH-901	I12	100	10	43456-KRH-900	H14	86	10
31510-KRH-900	I11	99	3	34000					I13	101	8	43472-KB9-750	H14	86	11
31600-KRH-781	I12	100	5	34901-KPN-B01	G1	57	4	38201-KRH-901	I12	100	11	44000			
	I13	101	5	34903-KRH-901	G1	57	5		I13	101	9	44301-KRH-900	G16	72	3
31700-KRH-901	I12	100	6	34905-KRH-901	I7	95	7	38301-KRH-781	I13	101	10		H1	73	3
31700-KVX-701	I12	100	7	34905-MR7-003	I8	96	8	38301-KRH-901	I12	100	12	44302-KTT-950	G15	71	4
31916-KRM-841	E2	37	9	34906-447-711	I9	97	10		I13	101	10		H1	73	4
31917-KPH-901	E2	37	9	34908-KYA-601	G2	58	1	38306-KRH-901	I12	100	13	44311-KTJ-900	G16	72	4
				34910-GFM-901	G2	58	2		I13	101	11	44312-KRH-900	H1	73	5
32000								38306-KYY-970	I13	101	11	44620-KRH-780	G16	72	5
				35000								44620-KRH-900	H1	73	6
32100-KRH-780	I13	101	6	35010-KRH-900	G8	64	1	40000				44635-KRH-780ZA	G16	72	6
32100-KRH-A00	I12	100	8					40510-KRH-900	I1	89	1	44635-KRH-900	H1	73	7
32100-KRH-A10	I12	100	8					40530-KRH-781	I1	89	2	44650-KRH-780ZA	G16	72	7
32100-KRH-A40	I12	100	8	35070-KRH-900	H16	88	1	40543-KRH-900	I1	89	3	44680-KRH-900	H1	73	8
32100-KRH-B00	I13	101	6	35100-KRH-901	G8	64	2	40546-KRH-900	I1	89	4	44701-KRH-780	G16	72	8
32100-KRH-B10	I13	101	6									44701-KRH-900	H1	73	10
32101-KRH-B00	G3	59	3	35101-KRH-901	G9	65	2	41000				44711-KRH-781	G16	72	9
32111-KSP-910	E11	46	3					41201-KRH-780	H4	76	3	44711-KRH-901	H1	73	11
32401-KRH-900	I11	99	4	35106-KRH-900	G8	64	4					44712-KRH-781	G16	72	10
32410-KRH-D20	I11	99	5									44712-KRH-901	H1	73	12
32601-KRH-900	I11	99	6	35121-KRH-900	G9	65	5					44713-KRH-781	G16	72	11
32925-958-000	E2	37	10												
				35131-KRH-A01	G3	59	4					50000			
												50100-KRH-780ZA	I14	102	1
												50100-KRH-A00ZA	I14	102	1

4

PART NO. INDEX

K 3

Part Number	Address	Page	Ref.	Part Number	Address	Page	Ref.	Part Number	Address	Page	Ref.	Part Number	Address	Page	Ref.
50100-KRH-A40ZA	I14	102	1	51490-KRH-901	G12	68	13	53219-KRH-900	G10	66	6	83000			
50212-KRH-900	I14	102	2		G13	69	12	53229-KRH-900	G10	66	7	87129-KRH-900ZC	J3	107	7
50318-KRH-780	I14	102	3	51500-KRH-781	G13	69	13	53300-KRH-900	G8	64	9	87505-KRH-780	J2	106	1
50320-KRH-780	I14	102	4	51500-KRH-901	G12	68	14		G9	65	9	87505-KRH-900	J1	105	2
50522-KRH-780	I14	102	5	51520-KRH-781	G13	69	14					83119-KRH-900	H11	83	16
50530-KRH-780	H16	88	2	51520-KRH-901	G12	68	15	61000				83119-MG9-000	H12	84	17
50530-KRH-900	H16	88	3	51611-KRH-781	G13	69	15					83501-KRH-900ZA	H9	81	1
50530-KRH-A00	H16	88	2	51612-KTJ-C00	G13	69	16	61100-KRH-780ZA	G11	67	1	83502-KRH-900	I16	104	1
50532-KRH-780	I14	102	6					61100-KRH-780ZB	G11	67	1	83503-KRE-900	H9	81	2
50533-KRH-780	I14	102	7	52000				61100-KRH-900ZA	G11	67	2	83504-KRH-900	I16	104	2
50533-KRH-900	I14	102	7					61100-KRH-900ZB	G11	67	2	83507-422-000	I16	104	3
50534-KRH-780	I14	102	8	52101-KRH-900	I1	89	5	61100-KRH-900ZC	G11	67	2	83508-MR4-900	I16	104	4
50534-KRH-900	I14	102	8	52141-KRH-900	I1	89	6	61100-KRH-900ZB	G11	67	2	83510-KRH-900ZA	H9	81	3
50537-KRH-780	I14	102	9	52144-356-003	I1	89	7	61101-KRH-900	I11	99	10	83510-KRH-900ZB	H9	81	3
50538-KRH-900	H16	88	4	52144-356-005	I1	89	7	61103-357-000	I9	97	11	83512-KRH-900	H12	84	18
50540-KRH-900	H16	88	5	52155-KRH-900	I1	89	8	61104-KRH-900	G11	67	3	83551-376-000	H9	81	4
50540-KRH-920	H16	88	6	52156-KRH-900	H15	87	15	61300-KRH-900ZA	G1	57	6		I4	92	6
50543-KRH-A00	H11	83	15	52159-KRH-900	I1	89	9	61300-KRH-900ZB	G1	57	6	83551-KRH-D20	H6	78	14
50547-KRH-900	H16	88	7	52170-KRH-780	I1	89	10	61300-KRH-900ZC	G1	57	6	83600-KRH-900ZA	H9	81	5
50548-356-700	H16	88	8	52171-KRH-900	I1	89	11	61303-KRH-900	G1	57	7	83600-KRH-900ZB	H9	81	5
50549-356-700	H16	88	9	52175-KRE-900	I1	89	12	61305-KRH-900	G1	57	8	83600-KRH-900ZC	H9	81	5
50603-KEJ-900	H15	87	1	52176-KRH-900	I1	89	13	61306-KRH-900	G1	57	9	83601-KRH-900ZA	H9	81	6
50603-KRH-900	H15	87	2	52200-KRH-780ZA	I1	89	14	61307-KRH-900	G2	58	12				
50612-KRH-900	H15	87	3	52400-KRH-781	I3	91	1	61309-KRH-D20	G1	57	10	84000			
50617-KRH-900	H15	87	4	52400-KRH-901	I3	91	1	61310-KRH-900ZA	J3	107	1	84701-KRH-780	I6	94	5
50642-KRH-900	H15	87	5	52463-KRH-901	I3	91	2	61310-KRH-900ZB	J3	107	1	84701-KRH-900	I4	92	7
50661-KRH-900	H15	87	6					61310-KRH-900ZC	J3	107	1	84702-KRH-900	I9	97	14
50662-KRH-900	H15	87	7	53000				61311-KRH-780	G9	65	10	84703-KRH-900	I9	97	15
50701-KRH-900	H15	87	8					61311-KRH-900	G8	64	10	84704-KRH-A50	I4	92	8
50706-KRH-900	H15	87	9	53100-KRH-780ZA	G9	65	7	61312-KRH-780	G9	65	11	84705-KRH-D00	I4	92	9
50710-KGA-940	H15	87	10	53100-KRH-900ZA	G8	64	7	61312-KRH-900	G8	64	11	84706-KRH-900	I14	102	11
50710-KRH-901	I14	102	10	53140-KB9-752	G3	59	7	61313-KRH-900	G1	57	11	84707-KRH-900	I14	102	12
50712-KRH-900	H15	87	11					61315-KRH-900ZA	J3	107	2	84708-KPM-000	G1	57	12
50713-KRH-900	H15	87	12	53166-MK5-010	G3	59	8	61315-KRH-900ZB	J3	107	2	84710-KRH-780	I8	96	9
50714-KRH-900	H15	87	13					61315-KRH-900ZC	J3	107	2	84711-KRH-900	I4	92	10
50715-KRH-900	H15	87	14	53167-KRH-920	G3	59	9	61317-KRH-900	G2	58	13	84720-KRH-780	I8	96	10
								77000							
				53168-KRH-920	G3	59	10					86000			
								77103-KRH-900	H8	80	1	86150-KPG-901	G8	64	12
51400-KRH-781	G13	69	2	53169-KRH-900	G3	59	11	77200-KRH-780ZB	H8	80	2		G9	65	12
51400-KRH-901	G12	68	3					77205-286-000	H8	80	3	86150-KPG-902	G8	64	12
51401-KRH-781	G13	69	3	53171-402-700	G5	61	12	77218-KRH-900	I9	97	12		G9	65	12
51401-KRH-901	G12	68	4	53171-KRH-780	G5	61	13						G9	65	12
51410-KRH-781	G13	69	4	53172-KRH-900	G3	59	12	80000				86191-KRH-780ZA	J3	107	3
51410-KRH-901	G12	68	5									86191-KRH-780ZB	J3	107	3
51412-GGC-901	G12	68	6	53174-KRH-900	G3	59	13	80100-KRH-900ZA	I4	92	4				
								80100-KRH-900ZB	I4	92	4				
												87000			
51413-KRH-901	G12	68	7	53175-KRH-780	G5	61	16					87126-KRH-900ZA	J3	107	4
								80100-KRH-900ZC	I4	92	4	87126-KRH-900ZB	J3	107	4
51414-GFM-J11	G12	68	8	53177-KRH-900	G3	59	14					87126-KRH-900ZC	J3	107	4
								80112-KRH-900	I9	97	13	87127-KRH-900ZA	J3	107	5
								80112-KRH-D20	H8	80	4	87127-KRH-900ZB	J3	107	5
51420-KRH-781	G13	69	8	53178-KRH-900	G3	59	15					87127-KRH-900ZC	J3	107	5
51420-KRH-901	G12	68	9					81000				87128-KRH-900ZA	J3	107	6
51432-KRH-901	G12	68	10	53192-KRH-900	G3	59	16					87128-KRH-900ZB	J3	107	6
												87128-KRH-900ZC	J3	107	6
												87128-KRH-900ZA	J3	107	6
51437-KRH-901	G12	68	11	53208-KCH-900	G8	64	8	81200-KRH-780ZA	I4	92	5	87129-KRH-900ZA	J3	107	7
												87129-KRH-900ZB	J3	107	7
51440-KRH-781	G13	69	11	53214-KRH-901	G10	66	4	81220-KRH-910	J1	105	1				
51440-KRH-901	G12	68	12	53215-KRH-901	G10	66	5	81220-KV8-860ZA	J1	105	1				

4

PART NO. INDEX

K 4

Part Number	Address	Page	Ref.	Part Number	Address	Page	Ref.	Part Number	Address	Page	Ref.	Part Number	Address	Page	Ref.	Part Number	Address	Page	Ref.
90105-KRH-900	I14	102	15	90306-KRM-840	E2	37	15	90650-KW3-000	G4	60	23	91305-KPH-900	E14	49	13	94000			
90106-KRH-900	G10	66	8	90306-KYA-601	G15	71	13		G6	62	26	91305-KRM-840	E10	45	9	94001-05000-0S	G1	57	19
90107-MBG-000	G8	64	13		H1	73	20		I12	100	14	91306-KRM-840	E5	40	10	94001-05070-0S	G12	68	23
	G9	65	13	90307-KRH-901	H5	77	14				15	91307-KRM-840	E7	42	11	94001-06200-0S	H14	86	18
90107-MBL-610	I3	91	4	90308-KRH-900	G8	64	15		I13	101	12	91309-425-003	E12	47	8	94001-06800	H12	84	21
90108-KRH-780	H16	88	10		G9	65	15	90651-KRF-H71	G12	68	19	91309-KVX-A00	E1	36	13	94002-06000-0S	I11	99	11
90108-KRH-900	H16	88	11	90309-KFO-003	H5	77	15	90651-KRH-781	G13	69	20	91309-MJO-003	E1	36	13	94002-08000-0S	I1	89	20
90110-KRH-900	H11	83	18	90309-KRH-901	H5	77	15	90651-KRH-900	I15	103	21	91320-MBO-000	E12	47	9	94021-06000-0S	G2	58	20
90111-162-000	I4	92	11	90311-KRH-900	H10	82	18	90651-KRM-R20	H7	79	18	91351-KRF-H71	G12	68	21	94030-08000	I1	89	21
	I6	94	6		I4	92	13	90651-MA5-671	G7	63	16		G13	69	22	94030-10200	I15	103	22
90111-KFB-000	G1	57	13		I6	94	8	90678-KRH-900	H11	83	19	91405-KRH-900	H11	83	20	94050-05000	G1	57	20
90111-KRH-900	G8	64	14	90322-KRH-900	G4	60	22	90702-KRM-840	E1	36	12	91406-166-000	G2	58	16	94050-06000	E3	38	20
	G9	65	14		G6	62	25		E7	42	7		I4	92	17		G4	60	29
90112-GW3-000	H15	87	16	90381-KRH-900	H7	79	16		E10	45	7	91413-KRH-900	I6	94	10		G6	62	29
90112-KRH-900	H9	81	7	90404-KPT-A00	E2	37	16		E13	48	13	91501-MR4-900	I16	104	11		G7	63	19
90113-KRH-900	G4	60	21	90405-KTT-900	E8	43	13		E14	49	11						H11	83	21
	G6	62	24	90417-KRM-840	F2	53	16	90703-KRH-900	E7	42	8	92000					I2	90	22
90114-166-006	G7	63	13	90432-KPT-A00	E13	48	12	90703-KRM-840	E2	37	17						I10	98	22
90114-KRH-900	I14	102	16	90441-KRM-840	E14	49	10		E6	41	4	92101-06020-0A	H14	86	17	94050-06080	G15	71	15
90115-KRH-900	H10	82	17	90451-KRM-840	F3	54	11	90704-KRM-840	E2	37	18		I12	100	16	94050-08000	I4	92	18
90116-KRF-H71	G12	68	16	90453-KVX-600	E16	51	17	90741-KFB-000	E15	50	8		I13	101	13		I6	94	12
	G13	69	17	90454-KTT-900	E16	51	18	90741-KGH-900	E15	50	9						I15	103	23
90116-KRH-900	H6	78	15	90455-KRM-840	F3	54	12	90755-229-003	H1	73	21	93000				94050-08070	H12	84	22
90117-KRH-900	H12	84	19	90456-KTT-900	E16	51	19	90755-229-005	H2	74	21					94050-10000	I7	95	10
90123-KRF-H71	G12	68	17	90457-KRM-840	F2	53	17	90755-KRH-900	H2	74	21	93101-06010-0A	F1	52	27		I15	103	24
	G13	69	18	90458-KVS-900	E16	51	20	90899-KRH-900	I4	92	16	93500-03020-0G	G13	69	23	94101-04800	I8	96	14
90125-KZJ-900	H5	77	13		F3	54	13					93500-04008-0A	G1	57	15	94101-08000	H15	87	17
90128-KGA-B90	H1	73	18	90463-KRM-840	E1	36	10	91000				93500-04032-0G	G4	60	24	94103-05000	I10	98	23
90131-KRH-900	G14	70	15	90501-KPT-A00	E8	43	14	91001-KRM-842	E15	50	10	93500-04045-0G	G4	60	25	94103-05700	G1	57	21
90131-KRM-840	E14	49	9		E11	46	5	91001-KSP-913	E15	50	10	93500-05012-0A	G1	57	16	94103-08700	H12	84	23
90140-KAE-000	I8	96	12	90501-KRH-900	H14	86	15	91003-KTT-900	E16	51	22	93500-05016-0G	G4	60	26	94109-12000	E14	49	14
90145-KRH-901	G7	63	14	90502-KRH-780	I4	92	14	91004-KTN-900	E16	51	23	93500-05018-0G	G12	68	22	94111-06000	I11	99	12
90147-MCE-950	H16	88	12		I6	94	9	91005-KTN-900	E16	51	24	93500-05020-0A	I9	97	20	94201-20120	H14	86	19
90154-KB7-700	I14	102	17	90503-KRH-900	G8	64	16	91006-KTN-900	E16	51	25	93500-05020-0G	G4	60	27	94201-20150	H15	87	18
90155-KRH-900	I3	91	5		G9	65	16	91015-KRH-901	G10	66	9		G6	62	28	94201-30280	H14	86	20
90156-KK6-000	I14	102	18	90504-KRH-900	I9	97	18	91053-MAY-003	H5	77	18	93500-05028-0G	H10	82	20	94201-30450	I16	104	12
90156-KRH-780	I14	102	19	90505-KRH-900	I1	89	16	91059-GFM-901	G8	64	17	93500-05050-0G	G1	57	17	94251-08000	E13	48	16
90158-KCJ-710	G2	58	14		I16	104	9		G9	65	17	93600-04012-1G	G7	63	17	94510-14000	F2	53	18
90201-KRM-840	E11	46	4	90505-KRM-860	H14	86	16	91070-GC4-601	I1	89	18	93700-05012-0A	E13	48	14	94510-16000	F3	54	14
90202-KRM-840	E8	43	12	90508-KRH-900	I4	92	15	91072-KRH-901	I3	91	7	93700-05018-1A	G2	58	17				
90203-MF9-710	H16	88	13	90509-KRH-900	H7	79	17	91104-KTT-901	E9	44	8	93892-04010-10	F5	56	27	95000			
90206-250-000	E4	39	13	90510-KRH-900	I15	103	20	91202-KSP-910	E7	42	9	93892-04010-18	F5	56	28	95002-02070	H11	83	22
90231-GHR-600	I16	104	8	90511-KRH-780	H5	77	16	91203-KSP-910	E14	49	12	93892-04016-08	F5	56	29	95002-02079	F5	56	30
90231-KRM-840	E13	48	11	90511-KRH-900	H5	77	16	91204-KSP-911	E7	42	10	93893-04010-08	G2	58	18	95002-02080	H7	79	19
90301-473-003	I4	92	12	90512-KRH-900	I1	89	17	91216-KSP-910	F1	52	26	93893-04012-17	G7	63	18	95002-41050-00	H10	82	23
90301-GFM-890	I6	94	7		I9	97	19	91251-GK4-003	G15	71	14	93901-24880	I10	98	21	95005-80035-20	H11	83	23
	I9	97	16		I16	104	10	91251-KYY-900	G16	72	12	93901-25080	I1	89	19	95014-22200	G8	64	18
90301-KEJ-900	I4	92	12	90522-028-000	G1	57	14	91254-KRH-901	G12	68	20	93901-32320	G4	60	28		G9	65	18
90301-MG8-000	I6	94	7	90522-KRH-900	H9	81	8		G13	69	21	93901-34120	E13	48	15	95015-32001	G6	62	30
	I9	97	16		H10	82	19	91256-KK3-840	G2	58	15	93903-24320	G2	58	19	95015-42000	G6	62	31
90302-KYA-601	H1	73	19	90543-MV9-670	E1	36	11	91258-410-006	H2	74	22	93903-25380	H10	82	21		H14	86	21
	H3	75	10	90544-KRF-H71	G12	68	18	91258-410-013	H2	74	22	93903-25510	H10	82	22	95701-06012-00	G2	58	21
90302-MB2-000	I9	97	17		G13	69	19	91258-MCG-901	H2	74	22	93903-34380	I7	95	9		G10	66	10
90304-GE8-003	I3	91	6	90545-300-000	G7	63	15	91258-MCG-902	H2	74	22	93911-24120	G1	57	18		H10	82	24
90304-KYA-601	I3	91	6	90546-KRH-900	G11	67	4	91262-KRH-901	I3	91	8	93913-24120	H9	81	9		I2	90	23
90305-KSP-900	H12	84	20	90559-KRH-900	H5	77	17	91303-KRM-840	E10	45	8		I8	96	13		I16	104	13
90305-KYA-601	I1	89	15	90602-KPT-900	F3	54	14	91304-KRM-840	E3	38	19								
90306-KFO-003	G15	71	13	90602-KRM-840	F3	54	15												
	H1	73	20	90602-KYY-900	E16	51	21												

4

PART NO. INDEX

K 5

Part Number	Address	Page	Ref.	Part Number	Address	Page	Ref.	Part Number	Address	Page	Ref.	Part Number	Address	Page	Ref.
95701-06014-00	E3	38	21	96001-06035-00	E10	45	10								
	H12	84	24	96001-06040-00	E7	42	13								
	I12	100	17		E10	45	11								
	I13	101	14	96001-06045-00	E10	45	12								
95701-06016-00	E1	36	14	96100-60030-00	E8	43	15								
	E5	40	11	96140-63010-10	G16	72	13								
	E14	49	15		H2	74	23								
	F3	54	16	96140-63030-10	H5	77	20								
	G13	69	24	96211-08000	H14	86	24								
	H11	83	24	96220-30085	F2	53	19								
	I11	99	13	96600-06016-00	E11	46	6								
95701-06018-07	G1	57	22	96600-06022-00	E11	46	7								
95701-06020-00	H11	83	25												
	H14	86	22	98000											
	I2	90	24												
95701-06022-00	E12	47	10	98200-31500	I11	99	14								
	I4	92	19	98200-41000	I12	100	19								
	I6	94	13		I13	101	16								
95701-06022-07	G6	62	32	98200-41500	I13	101	17								
95701-06025-00	G11	67	5												
	H8	80	5	99000											
95701-06025-07	H16	88	14												
95701-06032-00	G15	71	16	99001-10120	I16	104	14								
95701-06035-00	E13	48	17	99001-14170	I16	104	15								
95701-06040-00	E14	49	16	99003-10000	I16	104	16								
95701-06045-00	E14	49	17	99003-30000	I16	104	17								
95701-06070-00	E14	49	18	99003-50000	I16	104	18								
95701-08012-07	I12	100	18	99006-12000	I16	104	19								
	I13	101	15	99006-24000	I16	104	20								
95701-08016-00	I15	103	25	99008-01600	I16	104	21								
95701-08018-00	H15	87	19	99101-GHB-0980	F5	56	32								
	I5	93	20	99103-KWG-0380	F5	56	33								
	I6	94	14												
95701-08030-07	H13	85	25												
95701-08032-00	H7	79	20												
95701-08035-00	H3	75	11												
	H14	86	23												
95701-08045-00	I5	93	21												
	I6	94	15												
95701-08045-07	G8	64	19												
	G9	65	19												
	H13	85	26												
95801-06105-00	E3	38	22												
96000															
96001-06010-02	H13	85	27												
96001-06010-07	H13	85	28												
	H16	88	15												
96001-06012-00	E1	36	15												
96001-06016-00	G12	68	24												
96001-06018-00	E14	49	19												
	H7	79	21												
96001-06018-07	I5	93	22												
96001-06020-00	E14	49	20												
96001-06022-00	E5	40	12												
	G7	63	20												
96001-06025-00	I10	98	24												
96001-06030-00	E7	42	12												

PART NAME INDEX

L 1

Part name	Address	Page	Ref.	Part name	Address	Page	Ref.	Part name	Address	Page	Ref.
[A]											
ADJUSTER, CHAIN	I1	89	3	BOLT, FLANGE, 5X14	E2	37	11	BOLT, FLANGE, 8X12	I12	100	18
ARM ASSY., KICK STARTER	H14	86	4	BOLT, FLANGE, 6MM	H6	78	15		I13	101	15
ARM COMP., VALVE ROCKER	E4	39	3		H10	82	17	BOLT, FLANGE, 8X16	I15	103	25
ARM, FR. BRAKE	G15	71	11		H11	83	17	BOLT, FLANGE, 8X18	H15	87	19
ARM, RR. BRAKE	H3	75	7						I5	93	20
AXLE, FR. WHEEL	G16	72	3	BOLT, FLANGE, 6X10	H13	85	27		I6	94	14
	H1	73	3					BOLT, FLANGE, 8X30	H13	85	25
AXLE, RR. WHEEL	H4	76	4					BOLT, FLANGE, 8X32	H7	79	20
								BOLT, FLANGE, 8X35	G10	66	8
[B]					H16	88	15		H3	75	11
BAG, TOOL, 160MM	I16	104	21	BOLT, FLANGE, 6X105	E3	38	22		H14	86	23
BALL, STEEL, #8	H14	86	24	BOLT, FLANGE, 6X12	E1	36	15	BOLT, FLANGE, 8X36	G8	64	14
BAND, AIR CLEANER CONNECTING					G2	58	21		G9	65	14
TUBE	H10	82	12		G10	66	10	BOLT, FLANGE, 8X40	G14	70	15
BAND, BATTERY	I11	99	3	BOLT, FLANGE, 6X14	E3	38	21		H12	84	19
BAND, EX. PIPE	H12	84	13		H12	84	24	BOLT, FLANGE, 8X45	G8	64	19
BAND, FR. FORK BOOT	G13	69	16		H15	87	16		G9	65	19
BAND, WIRE	G4	60	23		I12	100	17	BOLT, FLANGE, 8X56	I14	102	13
	G6	62	26		I13	101	14	BOLT, FLANGE, 8X72	I14	102	19
	I12	100	14	BOLT, FLANGE, 6X16	E1	36	14	BOLT, FLANGE, 8X73	I14	102	17
					E5	40	11	BOLT, FLANGE, 8X88	I14	102	14
	I13	101	12		E14	49	15	BOLT, FLANGE, 8X96	I14	102	18
	I15	103	21		F3	54	16	BOLT, FR. FORK	G12	68	17
BAR COMP., SIDE STAND	H16	88	2		G12	68	24		G13	69	18
					G13	69	24	BOLT, HANDLE LEVER PIVOT	G4	60	21
BAR, L. PILLION STEP	H15	87	13		H11	83	24		G6	62	24
BAR, R. PILLION STEP	H15	87	12		I11	99	13		G7	63	13
BASE COMP., CONTACT	G8	64	3	BOLT, FLANGE, 6X18	E14	49	19	BOLT, HEX., 6X10	F1	52	27
	G9	65	3		G1	57	22	BOLT, HEX., 6X20	F2	53	14
BASE COMP., NUMBER PLATE	I4	92	7		H7	79	21		H14	86	17
BASE COMP., TAILLIGHT	I9	97	5		I5	93	22		I12	100	16
BASE, NUMBER PLATE	I6	94	5	BOLT, FLANGE, 6X20	E14	49	20		I13	101	13
BATTERY	I11	99	2		H11	83	25	BOLT, KNOCK, 5MM	E5	40	9
BEARING, HEAD PIPE	G10	66	9		H14	86	22	BOLT, L. CRANKCASE COVER	E1	36	9
BEARING, NEEDLE, 17X24X20	I3	91	7		I2	90	24	BOLT, OIL, 10X22	G7	63	14
BEARING, NEEDLE, 20X26X20	I1	89	18	BOLT, FLANGE, 6X22	E5	40	12	BOLT, ONE-WAY, 8MM	G8	64	13
BEARING, NEEDLE, 22X29X16.8	E9	44	8		E12	47	10		G9	65	13
BEARING, RADIAL BALL, 12X32X10	E16	51	24		G6	62	32	BOLT, SETTING	E12	47	4
BEARING, RADIAL BALL, 17X40X12	E16	51	23		G7	63	20	BOLT, SIDE STAND PIVOT	H16	88	10
BEARING, RADIAL BALL, 17X42X12	E16	51	22		I4	92	19				
BEARING, RADIAL BALL, 20X47X14	E16	51	25		I6	94	13	BOLT, SOCKET, 10X57	I3	91	4
BEARING, RADIAL BALL, 6003	E8	43	15	BOLT, FLANGE, 6X25	E8	43	11	BOLT, SOCKET, 6MM	E9	44	7
BEARING, RADIAL BALL, 6203UU	H5	77	18		G11	67	5	BOLT, SOCKET, 6X16	E11	46	6
BEARING, RADIAL BALL, 6301U	G16	72	13		H8	80	5	BOLT, SOCKET, 6X22	E11	46	7
	H2	74	23		H16	88	14	BOLT, SOCKET, 8X30	G12	68	16
BEARING, RADIAL BALL, 6303U	H5	77	20		I10	98	24		G13	69	17
BEARING, ROLLER, 30X58X17	E15	50	10	BOLT, FLANGE, 6X30	E7	42	12	BOLT, SPECIAL, 6X14	H9	81	7
BODY COMP., FRAME	I14	102	1	BOLT, FLANGE, 6X32	G15	71	16	BOLT, SPECIAL, 6X16	H16	88	12
BODY, KEY	I16	104	3	BOLT, FLANGE, 6X35	E10	45	10	BOLT, SPROCKET FIXING	H5	77	13
BOLT A, PIN	G14	70	8		E13	48	17	BOLT, STUD, 2, 6X16	H1	73	18
BOLT, BREAK OFF	I14	102	16	BOLT, FLANGE, 6X40	E7	42	13	BOLT, STUD, 6X19	E2	37	13
BOLT, CYLINDER STUD, 8X140	E14	49	8		E10	45	11	BOLT, STUD, 8X22	E2	37	12
BOLT, DRAIN PLUG, 12MM	E14	49	9		E14	49	16	BOLT, SWINGARM PIVOT	I1	89	5
BOLT, FLANGE SOCKET, 6X22	E2	37	14	BOLT, FLANGE, 6X45	E10	45	12	BOLT, WIRE ADJUSTING	G3	59	16
BOLT, FLANGE, 10X110	I14	102	15		E14	49	17		G5	61	19
BOLT, FLANGE, 10X52	I3	91	5	BOLT, FLANGE, 6X70	E14	49	18	BOOT B	G14	70	10

PART NAME INDEX

L 2

Part name	Address	Page	Ref.	Part name	Address	Page	Ref.	Part name	Address	Page	Ref.
BOOT COMP.	G7	63	4	CAP, STEERING STEM	G8	64	8	COLLAR, CHAIN ROLLER.....	I1	89	13
BOOT, FR. FORK	G13	69	15		G9	65	8	COLLAR, CHAMBER RR.	H12	84	7
BOOT, PIN BUSH	G14	70	9	CAP, SWINGARM DUST SEAL	I1	89	7	COLLAR, CUSHION CONNECTING ROD	I3	91	2
BOX ASSY., SPEEDOMETER GEAR ..	H1	73	14	CAP, TOOL BOX	I16	104	2	COLLAR, ENGINE MOUNT.....	I14	102	3
BOX, TOOL	I16	104	1	CARBURETOR ASSY	F4	55	14	COLLAR, FENDER COVER.....	I9	97	13
BRACKET COMP., L. PILLION STEP	H15	87	9	CARRIER COMP., RR.	I4	92	5	COLLAR, FENDER MOUNTING.....	G11	67	3
BRACKET COMP., R. PILLION STEP	H15	87	8		I6	94	4	COLLAR, FR. AXLE DISTANCE.....	G16	72	5
BRACKET SUB ASSY., L. FR.	G14	70	12	CASE ASSY., UNDER	G2	58	8		H1	73	6
BRACKET, AIR SUCTION VALVE ...	H11	83	15	CASE ASSY., UPPER	G2	58	6	COLLAR, FR. FENDER SETTING....	I11	99	10
BRACKET, L. HANDLE LEVER	G3	59	12	CASE SUB ASSY., AIR CLEANER ...	H10	82	4	COLLAR, FR. WHEEL.....	H1	73	5
	G5	61	14	CASE, DRIVE CHAIN	I1	89	1	COLLAR, FR. WHEEL SIDE.....	G16	72	4
BRACKET, NUMBER PLATE	I9	97	15	CASE, L. BOTTOM	G12	68	15	COLLAR, FR. WINKER.....	I7	95	6
BRACKET, R. HANDLE LEVER	G5	61	13		G13	69	14	COLLAR, FUEL TANK MOUNTING....	H6	78	5
BRIDGE COMP., FORK TOP	G8	64	9	CASE, R. BOTTOM	G12	68	9	COLLAR, KICK SPRING.....	F3	54	10
	G9	65	9		G13	69	8	COLLAR, LOCK SETTING.....	H11	83	16
BULB, HEADLIGHT	G1	57	4	CASE, WATER INLET	H11	83	14		H12	84	17
BULB, POSITION LIGHT	G1	57	5	CENTER, CLUTCH	E8	43	3	COLLAR, MUFFLER MOUNTING.....	H12	84	16
	I9	97	1	CHAIN, CAM	E5	40	2	COLLAR, RR. AXLE DISTANCE.....	H4	76	6
BULB, TAIL & STOP LIGHT	I9	97	10	CHAIN, DRIVE	I1	89	2	COLLAR, RR. FENDER	I4	92	14
BULB, WEDGE BASE	G2	58	1	CHAMBER SET, FLOAT	F4	55	5		I6	94	9
			2	CIRCLIP	G7	63	16	COLLAR, RR. WHEEL.....	H4	76	5
BULB, WINKER	I7	95	7	CIRCLIP, 20MM	E16	51	21	COLLAR, R. CRANKSHAFT.....	E15	50	6
	I8	96	8	CIRCLIP, EXTERNAL, 14MM	F2	53	18	COLLAR, SEAT SETTING.....	H8	80	1
BUSH, 17X20.5X8.0	E16	51	4	CIRCLIP, EXTERNAL, 16MM	F3	54	14	COLLAR, SETTING.....	F5	56	23
	F3	54	1	CIRCLIP, EXTERNAL, 17MM	F3	54	15	COLLAR, SIDE MOUNTING.....	H7	79	17
BUSH, 20MM	E16	51	6	CLAMP	G2	58	9	COLLAR, STAND RUBBER SETTING..	H16	88	9
			7	CLAMPER A, BRAKE HOSE	G12	68	2	COLLAR, STARTER REDUCTION.....	E9	44	6
				CLAMPER, A.C. GENERATOR CORD ..	E11	46	3	COLLAR, SWINGARM PIVOT CENTER			
				CLAMPER, SPEEDOMETER CABLE ...	G12	68	1	DISTANCE	I1	89	6
				CLAMP, TUBE	H10	82	23	COLLAR, TAILLIGHT MOUNTING....	I9	97	3
					H11	83	20				18
				CLIP C9, TUBE	H7	79	18	COLLAR, UPPER ENGINE HANGER			
				CLIP, 2X70	I6	94	10	MOUNT	I14	102	4
				CLIP, BREATHER TUBE	H10	82	13	COLLAR, WINKER	I8	96	6
					H11	83	3	COTTER, VALVE	E4	39	11
				CLIP, HOSE	H11	83	19	COUNTERSHAFT COMP.	E16	51	2
				CLIP, KICK STARTER ARM	H14	86	3	COVER COMP., CYLINDER HEAD....	E1	36	1
				CLIP, OIL DRAIN TUBE	H11	83	2	COVER COMP., LICENSE.....	I9	97	8
				CLIP, PISTON PIN, 13MM	E15	50	5	COVER COMP., L. RR.	E10	45	2
				CLIP, PULSER CORD	E2	37	10	COVER COMP., R. CRANKCASE.....	E7	42	1
				CLIP, TUBE	F5	56	30	COVER SET, R. SIDE.....	H9	81	3
							31	COVER SUB ASSY., AIR CLEANER..	H10	82	8
					H7	79	19	COVER, BRAKE HOSE CLAMPER....	G7	63	3
					H10	82	1	COVER, CARBURETOR HEATER.....	F4	55	17
					H11	83	22	COVER, COMBINATION SWITCH.....	G8	64	4
				CLIP, VALVE GUIDE	E2	37	5		G9	65	4
				CLIP, WIRE	G2	58	16	COVER, CYLINDER HEAD.....	E1	36	2
					I4	92	17	COVER, L. CRANKCASE.....	E10	45	1
				CLUTCH, ONE WAY	E9	44	2	COVER, L. FR. SIDE.....	H9	81	6
				COCK ASSY., FUEL	H6	78	1	COVER, L. HANDLE LEVER.....	G3	59	14
				COIL COMP., IGNITION	I12	100	3		G5	61	17
					I13	101	3	COVER, L. SIDE.....	H9	81	5
CAP, BLEEDER	G14	70	5	COLLAR C	I4	92	15	COVER, RR. BRAKE ARM.....	H3	75	8
CAP, CABLE SEALING	F4	55	16	COLLAR, 10MM	E1	36	6	COVER, R. FR. SIDE.....	H9	81	1
CAP, CHANGE SWITCH CONTACT ...	F2	53	12	COLLAR, 18.5MM	F3	54	3	COVER, R. HANDLE LEVER.....	G5	61	12
CAP, MASTER CYLINDER	G7	63	6	COLLAR, 6.5X4	H15	87	15	COWL SET, RR.	I4	92	4
CAP, NUMBER BRACKET	I4	92	9	COLLAR, CARBURETOR HEATER					I6	94	3
CAP, NUMBER PLATE BASE COMP. .	I4	92	10	COVER	F4	55	18	CRANKCASE COMP., L.	E14	49	3
CAP, OIL FILTER ROTOR	E13	48	7	COLLAR, CHAIN GUARD	I1	89	9	CRANKCASE COMP., R.	E14	49	1
CAP, RR. FORK END	I1	89	4								

[C]

PART NAME INDEX

L 3

Part name	Address	Page	Ref.	Part name	Address	Page	Ref.	Part name	Address	Page	Ref.
CRANKSHAFT COMP.	E15	50	1	FORK ASSY., L. FR.	G12	68	14	GUIDE COMP., BRAKE HOSE.....	G9	65	6
CUSHION ASSY., RR.	I3	91	1		G13	69	13	GUIDE COMP., DRIVE CHAIN.....	E10	45	3
CUSHION, C.D.I. UNIT	I12	100	1	FORK ASSY., R. FR.	G12	68	3	GUIDE COMP., LOWER BRAKE HOSE	G10	66	3
	I13	101	1		G13	69	2	GUIDE, BRAKE CABLE LOWER.....	G10	66	2
CUSHION, FUEL STRAINER	H11	83	5	FORK, CENTER GEARSHIFT	F2	53	2	GUIDE, CAM CHAIN.....	E5	40	7
CUSHION, FUEL TANK FR.	H6	78	6	FORK, GEARSHIFT	F2	53	1	GUIDE, CLUTCH OUTER.....	E8	43	2
CUSHION, FUEL TANK RR.	H6	78	7	FUSE, BLADE	I11	99	14	GUIDE, FR. FORK.....	G12	68	8
CUSHION, TAILLIGHT	H8	80	4	FUSE, MINI	I12	100	19		G13	69	7
CYLINDER COMP.	E6	41	1		I13	101	16	GUIDE, SPEEDOMETER CABLE.....	G10	66	1
CYLINDER SET, MASTER	G7	63	11						G13	69	1
CYLINDER SUB ASSY., FR. BRAKE								GUIDE, VALVE.....	E2	37	2
MASTER	G7	63	5								
C.D.I. UNIT COMP., DIGITAL ...	I12	100	2	[G]				[H]			
	I13	101	2	GASKET B, HEAD COVER	E1	36	4	HANDLE, EYE WRENCH, 12MM.....	I16	104	19
[D]				GASKET C, HEAD COVER	E1	36	5	HARNES, WIRE.....	I12	100	8
DIAPHRAGM	G7	63	9	GASKET SET	F4	55	1		I13	101	6
DISK, CLUTCH FRICTION	E8	43	4	GASKET, CARBURETOR INSULATOR ..	E2	37	8	HEADLIGHT UNIT.....	G1	57	2
				GASKET, CYLINDER	E6	41	2	HEAD COMP., CYLINDER.....	E2	37	1
DISK, L. FR. BRAKE	H1	73	17	GASKET, CYLINDER HEAD.....	E2	37	6	HEATER ASSY.	F4	55	11
DOWEL PIN, 10X12	E2	37	17	GASKET, EX. PIPE	H12	84	1	HOLDER	G1	57	9
	E6	41	4	GASKET, FLOAT CHAMBER	F4	55	20	HOLDER ASSY., HELMET.....	I14	102	10
DOWEL PIN, 6X10	E2	37	18	GASKET, HEAD COVER	E1	36	3	HOLDER B2, HANDLE PIPE UPPER..	G8	64	18
DOWEL PIN, 8X14	E1	36	12	GASKET, L. COVER	E10	45	4		G9	65	18
	E7	42	7	GASKET, OIL FILTER CAP	E13	48	10	HOLDER COMP., CAMSHAFT.....	E2	37	3
	E10	45	7	GASKET, R. CRANKCASE COVER	E7	42	2	HOLDER COMP., FUSE.....	I11	99	8
	E13	48	13	GASKET, TENSIONER LIFTER	E5	40	6	HOLDER, BRUSH.....	E12	47	5
	E14	49	11	GAUGE, OIL LEVEL	E7	42	3	HOLDER, JET.....	F5	56	22
DRIVER 1, PLUS SCREW	I16	104	16	GEAR COMP., OIL PUMP	E13	48	2	HOLDER, L. LEVER BRACKET.....	G3	59	13
DRIVER 3, MINUS SCREW	I16	104	17	GEAR, COUNTERSHAFT FIFTH.....	E16	51	14		G5	61	15
DRUM, GEARSHIFT	F2	53	5	GEAR, COUNTERSHAFT FOURTH.....	E16	51	12	HOLDER, MASTER CYLINDER.....	G5	61	6
DUCT, INLET	H10	82	11	GEAR, COUNTERSHAFT LOW.....	E16	51	3		G7	63	7
DUST SEAL, 17X20X2.5	H14	86	14	GEAR, COUNTERSHAFT SECOND.....	E16	51	8	HOLDER, NEEDLE JET.....	F4	55	21
DUST SEAL, 17X24X4	I3	91	8	GEAR, COUNTERSHAFT THIRD.....	E16	51	10	HORN COMP.	I12	100	10
DUST SEAL, 21X37X7	G16	72	12	GEAR, MAINSHAFT FIFTH.....	E16	51	13		I13	101	8
DUST SEAL, 40X50X5	H2	74	22	GEAR, MAINSHAFT FOURTH.....	E16	51	11	HOSE COMP., FR. BRAKE.....	G7	63	2
DUST SEAL, BRAKE CAM	G15	71	8	GEAR, MAINSHAFT SECOND.....	E16	51	5	HOUSING, LOWER THROTTLE.....	G3	59	10
	H3	75	9	GEAR, MAINSHAFT THIRD.....	E16	51	9		G5	61	10
DUST SEAL, STEERING HEAD	G10	66	4	GEAR, PRIMARY DRIVE	E15	50	7	HOUSING, UPPER THROTTLE.....	G3	59	9
				GEAR, SPEEDOMETER	G15	71	5		G5	61	9
[E]					H1	73	15	HUB SUB ASSY., FR.	G16	72	6
ELEMENT COMP., AIR CLEANER ...	H10	82	2	GEAR, STARTER DRIVEN	E9	44	1		H1	73	7
EMBLEM, PRODUCT	G8	64	12	GEAR, STARTER REDUCTION	E9	44	4	HUB SUB ASSY., RR.	H4	76	7
	G9	65	12	GRIP ASSY., THROTTLE	G3	59	7				
[F]					G5	61	7	[I]			
FENDER, FR.	G11	67	1	GRIP, L. HANDLE	G3	59	8	INDICATOR, FR. BRAKE.....	G15	71	10
					G5	61	8	INDICATOR, RR. BRAKE.....	H3	75	5
FILTER COMP., AIR	H11	83	6	GRIP, SCREW DRIVER	I16	104	18	INSULATOR COMP., CARBURETOR...	E2	37	7
FLAP, TIRE	G16	72	11	GROMMET A, RR. COVER	H11	83	1	INSULATOR, CARBURETOR.....	E2	37	7
	H1	73	13	GROMMET, SIDE COVER	H6	78	14				
	H4	76	12		H9	81	4	[J]			
	H5	77	12	GUARD, CHAIN	I4	92	6	JET, MAIN, #98.....	F5	56	32
FLOAT SET	F4	55	3	GUARD, MUFFLER	I1	89	8	JET, SLOW, #38.....	F5	56	33
FLYWHEEL COMP.	E11	46	1	GUARD, SIDE COWL HEAT.....	H12	84	10	JOINT B, BRAKE ARM.....	G6	62	30
				GUARD, SIDE STAND SWITCH	H9	81	2		H14	86	10
				GUIDE COMP., AIR SUCTION VALVE	H16	88	7	JOINT, SHROUD.....	H6	78	10
				TUBE	E1	36	8				
				GUIDE COMP., BRAKE HOSE	G8	64	6				



PART NAME INDEX

L 4

Part name	Address	Page	Ref.	Part name	Address	Page	Ref.	Part name	Address	Page	Ref.
[K]								[O]			
KEY COMP.	G8	64	5	NUT, CLIP, 6MM	H10	82	18	OIL SEAL, 12X18X4	E7	42	9
	G9	65	5		I4	92	13	OIL SEAL, 14X22X5	E14	49	12
KEY SET	G8	64	1	NUT, CYLINDER HEAD	E2	37	15	OIL SEAL, 16X28X7	E7	42	10
	G9	65	1	NUT, EXHAUST PIPE, 8MM	H12	84	20	OIL SEAL, 20X34X7	F1	52	26
KEY, WOODRUFF, 4MM	E15	50	8	NUT, FIXING	G4	60	22	OIL SEAL, 21X37X7	H1	73	21
					G6	62	25		H2	74	21
KNOB, TRIP	G2	58	5	NUT, FLANGE, 10MM	I3	91	6	OIL SEAL, 25X47X6.5	H5	77	19
					I7	95	10	OIL SEAL, 47X60X7	G15	71	14
[L]					I15	103	24	O-RING, 10X1.5	G2	58	15
LABEL, AIR CLEANER ELEMENT				NUT, FLANGE, 12MM	G15	71	13	O-RING, 13.8X2.5	E10	45	8
NOTICE	J1	105	5		H1	73	20	O-RING, 18X3	E7	42	11
	J2	106	4	NUT, FLANGE, 14MM	E11	46	4	O-RING, 19.4X2.3	E14	49	13
LABEL, CARGO LIMIT	J2	106	5		I1	89	15	O-RING, 1.3X4.3	F4	55	12
LABEL, CHAIN ADJUSTER	J1	105	4	NUT, FLANGE, 16MM	H5	77	14	O-RING, 1.5X9.5	E5	40	10
	J2	106	3		G1	57	20	O-RING, 22X2.8	G12	68	21
LABEL, DRIVE CAUTION	J1	105	6	NUT, FLANGE, 6MM	I6	94	7		G13	69	22
LABEL, DRIVE CHAIN	J2	106	2		I9	97	16	O-RING, 24.4X3.1	E12	47	8
	J2	106	2		G4	60	29	O-RING, 2.4X29	F4	55	13
LABEL, FUEL & DRIVE	J2	106	6		G6	62	29	O-RING, 31.7X2.4	E10	45	9
LABEL, RR. CARRIER	J1	105	1		G7	63	19	O-RING, 33.5X3.0	E3	38	19
LABEL, RR. DAMPER	I3	91	3		G15	71	15	O-RING, 4X2	E12	47	9
LABEL, TIRE	J1	105	2		H1	73	19	O-RING, 9.8X2.8	E1	36	13
	J2	106	1		H3	75	10	OUTER COMP., CLUTCH	E8	43	1
LENS COMP.	I7	95	2		H11	83	21	OUTER, STARTING CLUTCH	E9	44	3
LENS COMP., TAILLIGHT	I9	97	6		I2	90	22				
LENS, WINKER	I8	96	2	NUT, FLANGE, 8MM	I10	98	22				
LEVER COMP., CLUTCH	E7	42	4		H5	77	15				
LEVER SET, CHOKE	F4	55	8		H12	84	22	PACKING, MUFFLER	H12	84	14
LEVER, L. STEERING HANDLE	G3	59	15		I4	92	18	PACKING, PROTECTOR	H12	84	2
	G5	61	18		I6	94	12				
LEVER, R. STEERING HANDLE	G5	61	16	NUT, HEX., 10MM	I15	103	23	PACKING, TAILLIGHT LENS	I9	97	4
	G7	63	12		I15	103	22	PAD SET, FR.	G14	70	2
LIFTER ASSY., TENSIONER	E5	40	5	NUT, HEX., 5MM	G1	57	19	PANEL COMP., RR. BRAKE	H3	75	2
LIGHT ASSY., LICENSE	I9	97	7		G12	68	23	PANEL SUB COMP., FR. BRAKE	G15	71	7
				NUT, HEX., 6MM	H14	86	18	PEDAL COMP., BRAKE	H14	86	12
[M]					I11	99	11	PEDAL COMP., CHANGE	H14	86	1
MAINSHAFT COMP.	E16	51	1	NUT, HEX., 8MM	I1	89	20	PIECE, OIL LOCK	G12	68	10
MARK	J3	107	3		I1	89	20		G13	69	9
MARK, FR.	J3	107	2	NUT, LOCK	G3	59	17	PINION, KICK STARTER	F3	54	2
MARK, RR.	J3	107	1		G3	59	17	PIN C, JOINT	H14	86	9
MIRROR COMP., L.	G3	59	20		G5	61	20	PIN, HANGER	G14	70	14
	G6	62	23	NUT, LOCK, 14MM	E13	48	16	PIN, LOCK, 8MM	E13	48	16
MIRROR COMP., R.	G3	59	19		E13	48	11	PIN, MAIN STEP BAR JOINT	H15	87	1
	G6	62	22	NUT, SIDE STAND	H16	88	13	PIN, PISTON	E15	50	4
MOTOR ASSY., STARTER	E12	47	1	NUT, SPECIAL FLANGE, 14MM	E8	43	12	PIN, SHIFT RETURN SPRING	F2	53	11
MUFFLER SUB ASSY.	H12	84	5		E8	43	12	PIN, SPLIT, 2.0X12	H14	86	19
				NUT, SPECIAL, 4MM	I9	97	17	PIN, SPLIT, 2.0X15	H15	87	18
				NUT, SPECIAL, 5MM	I6	94	7	PIN, SPLIT, 3.0X28	H14	86	20
					I9	97	16	PIN, SPLIT, 3.0X45	I16	104	12
				NUT, SPECIAL, 6MM	I4	92	12	PIN, SPRING, 2X14	I16	104	11
				NUT, SPECIAL, 6X1.0	G1	57	13	PIN, SPRING, 3X10	E7	42	8
				NUT, STEERING STEM	G8	64	15	PIN, STEP BAR JOINT	H15	87	2
					G9	65	15	PIPE COMP., AIR FEED	E1	36	7
				NUT, TAPPET ADJUSTING	E4	39	13	PIPE COMP., EX.	H12	84	6
				NUT, U, 10MM	I3	91	6	PIPE COMP., FR. FORK	G12	68	5
				NUT, U, 6MM	I4	92	12		G13	69	4
				NUT, U, 8MM	H5	77	15	PIPE, L. SUPPORT	I14	102	12

PART NAME INDEX

L 5

Part name	Address	Page	Ref.	Part name	Address	Page	Ref.	Part name	Address	Page	Ref.
PIPE, R. SUPPORT	I14	102	11	RIM, RR. WHEEL	H4	76	9	SCREW, PAN, 3X20	G13	69	23
PIPE, SEAT	G12	68	12	RING	E12	47	6	SCREW, PAN, 4X28	I8	96	12
	G13	69	11	RING SET, PISTON	E15	50	2	SCREW, PAN, 4X32	G4	60	24
PIPE, STEERING HANDLE	G8	64	7	RING, BACK UP	G12	68	6	SCREW, PAN, 4X45	G4	60	25
	G9	65	7		G13	69	5	SCREW, PAN, 4X8	G1	57	15
PISTON	E15	50	3	RING, OIL SEAL STOP	G13	69	20	SCREW, PAN, 5X12	G1	57	16
PISTON, 27X31	G14	70	3	RING, OIL SEAL STOPPER	G12	68	19	SCREW, PAN, 5X16	G4	60	26
PIVOT, SHIFT DRUM STOPPER ARM	F2	53	15	RING, PISTON	G12	68	11		G6	62	27
PLATE A2, FIXING	E16	51	16		G13	69	10	SCREW, PAN, 5X18	G12	68	22
PLATE COMP., GEARSHIFT DRUM				ROD COMP., RR. BRAKE	H14	86	8	SCREW, PAN, 5X20	G4	60	27
STOPPER	F2	53	6	ROD, CLUTCH LIFTER	E8	43	9		G6	62	28
PLATE COMP., INNER VISOR FR. .	G1	57	8	ROLLER, 3X8.5	F2	53	19		I9	97	20
PLATE, BEARING HOLDER	E14	49	10	ROLLER, CHAIN	I1	89	12	SCREW, PAN, 5X28	H10	82	20
PLATE, BEARING PUSH	E14	49	6	ROTOR, OIL FILTER	E13	48	6	SCREW, PAN, 5X50	G1	57	17
PLATE, CLUTCH	E8	43	6	ROTOR, OIL PUMP INNER	E13	48	3	SCREW, PAN, 6X6	E5	40	8
PLATE, CLUTCH LIFTER	E8	43	8	ROTOR, OIL PUMP OUTER	E13	48	4	SCREW, SPECIAL, 6X8	H7	79	16
PLATE, CLUTCH PRESSURE	E8	43	7	RUBBER	H6	78	4	SCREW, TAPPET ADJUSTING	E4	39	12
PLATE, DIAPHRAGM	G7	63	10		I11	99	1	SCREW, TAPPING, 3X12	G4	60	28
PLATE, KICK STOPPER	F3	54	4	RUBBER A, FUEL TANK	H6	78	3	SCREW, TAPPING, 3X14	I8	96	11
PLATE, L. BEARING SETTING	E14	49	2	RUBBER B, SEAT SETTING	H8	80	3	SCREW, TAPPING, 3X16	G8	64	17
PLATE, L. ENGINE HANGER UPPER	I14	102	6	RUBBER, CHAMBER RR. MOUNTING ..	H12	84	8		G9	65	17
PLATE, L. FR. ENGINE HANGER ..	I14	102	8	RUBBER, CHANGE PEDAL	H14	86	2	SCREW, TAPPING, 4X10	G1	57	18
PLATE, L. RR. ENGINE HANGER ..	I14	102	9	RUBBER, FR. FENDER MOUNTING ...	I9	97	11		H9	81	9
PLATE, PILLION STEP	H15	87	11	RUBBER, INNER VISOR	G1	57	7	SCREW, TAPPING, 4X12	G2	58	19
PLATE, R. ENGINE HANGER UPPER	I14	102	5	RUBBER, INSERT	E6	41	3		I7	95	9
PLATE, R. FR. ENGINE HANGER ..	I14	102	7	RUBBER, MOUNTING	E1	36	11	SCREW, TAPPING, 4X35	I10	98	21
PLATE, SETTING	F4	55	15	RUBBER, MUFFLER MOUNTING	H12	84	15	SCREW, TAPPING, 4X8	E13	48	15
PLATE, STEP RUBBER SETTING	H15	87	7	RUBBER, PILLION STEP	H15	87	10	SCREW, TAPPING, 5X16	H10	82	21
PLATE, STOPPER	E2	37	4	RUBBER, PROTECTOR	H12	84	4	SCREW, TAPPING, 5X20	I6	94	11
PLATE, TENSIONER SETTING	E5	40	4	RUBBER, PROTECTOR MOUNTING	H12	84	12		I8	96	13
PLUG, BEARING PUSH	E14	49	4	RUBBER, SEAT HINGE	I9	97	12	SCREW, TAPPING, 5X25	H10	82	22
PLUG, BREATHER TUBE	H10	82	15	RUBBER, SHOCK	I11	99	9	SCREW, TAPPING, 5X8	I1	89	19
PLUG, CONE	I4	92	16	RUBBER, SIDE COVER	H12	84	18	SEAL SET, FR. FORK	G12	68	13
PLUG, PIN	G14	70	13	RUBBER, SPEEDOMETER	H6	78	13		G13	69	12
PLUG, SPARK	E2	37	9		I4	92	3	SEAL SET, PISTON	G14	70	1
PROTECTOR COMP., MUFFLER	H12	84	11		I6	94	2	SEAL, AIR CLEANER	H10	82	6
PROTECTOR, EX. PIPE	H12	84	9	RUBBER, SPEEDOMETER MOUNTING ..	G2	58	10				9
PUMP ASSY., OIL	E13	48	1	RUBBER, STAND	H16	88	8	SEAL, DUST	G12	68	20
				RUBBER, STEP	H15	87	6		G13	69	21
[R]				RUBBER, TAILLIGHT	I4	92	1	SEAL, SEPARATOR	H10	82	3
RATCHET, STARTER	F3	54	5	RUBBER, TANK GUARD	I14	102	2	SEAL, VALVE STEM	E4	39	1
RECEIVER, CLUTCH CABLE	E7	42	6	RUBBER, WINKER	I8	96	5	SEAT COMP., DOUBLE	H8	80	2
RECTIFIER ASSY., SILICON	I12	100	7					SEAT, RR. BRAKE CAM	G15	71	2
RECTIFIER COMP., REGULATE	I12	100	5	[S]					H3	75	4
	I13	101	5	SCREEN, OIL FILTER	E13	48	5	SEAT, VALVE SPRING	E4	39	10
RECTIFIER COMP., SILICON	I12	100	6	SCREW-WASHER, 4X10	F5	56	27	SEPARATOR COMP.	G7	63	8
REFLECTOR, FR. REFLEX	I4	92	2					SEPARATOR SUB ASSY., AIR			
REFLECTOR, REFLEX	I4	92	2		G2	58	18	CLEANER	H10	82	10
	I9	97	9	SCREW-WASHER, 4X12	F5	56	26	SHAFT A, GEARSHIFT FORK	F2	53	3
REFLECTOR, RR. REFLEX	I6	94	1		G7	63	18	SHAFT B, GEARSHIFT FORK	F2	53	4
RELAY COMP., WINKER	I13	101	10	SCREW-WASHER, 4X16	F5	56	29	SHAFT, REDUCTION GEAR	E9	44	5
RELAY, WINKER	I12	100	12	SCREW SET A	F4	55	6	SHAFT, ROCKER ARM	E4	39	4
	I13	101	10	SCREW SET B	F4	55	9	SHEET, HEADLIGHT SHADE	G1	57	10
RETAINER	G14	70	7	SCREW, BLEEDER	G14	70	4	SHOE SET, BRAKE	G15	71	1
RETAINER, GEAR BOX	H1	73	9	SCREW, FLAT, 4X12	G7	63	17		H3	75	1
RETAINER, VALVE SPRING	E4	39	9	SCREW, OVAL, 5X12	E13	48	14	SHROUD SET, L.	H6	78	12
RIM, FR. WHEEL	G16	72	8	SCREW, OVAL, 5X18	G2	58	17	SHROUD SET, R.	H6	78	11
	H1	73	10	SCREW, PAN, 2X6	G2	58	14	SLIDER, CHAIN	I1	89	10
								SLIDER, THROTTLE	G3	59	11



PART NAME INDEX

L 6

Part name	Address	Page	Ref.	Part name	Address	Page	Ref.	Part name	Address	Page	Ref.
SLIDER, THROTTLE	G5	61	11	STEM SUB ASSY., STEERING	G10	66	6	TUBE, TIRE	G16	72	10
SOCKET COMP.	G2	58	7	STEP COMP., L.	H15	87	5		H1	73	12
SOCKET COMP., HEADLIGHT	G1	57	3	STEP COMP., R.	H15	87	3		H4	76	11
SPACER B, BATTERY	H10	82	5	STOPPER COMP., GEARSHIFT DRUM	F2	53	7	[V]			
SPANNER, 10X12	I16	104	14	STOPPER, KEY BODY	I16	104	4	VALVE ASSY., AIR SUCTION	H11	83	7
SPANNER, 14X17	I16	104	15	STRIPE A, L. SHROUD	J3	107	5	VALVE COMP., FLOAT	F4	55	19
SPEEDOMETER ASSY.	G2	58	3	STRIPE A, R. SHROUD	J3	107	4	VALVE SET, AIR CUT	F4	55	10
SPEEDOMETER COMP.	G2	58	4	STRIPE B, L. SHROUD	J3	107	7	VALVE SET, THROTTLE	F4	55	7
SPINDLE COMP., GEARSHIFT	F2	53	9	STRIPE B, R. SHROUD	J3	107	6	VALVE, EX.	E4	39	6
SPINDLE, KICK STARTER	F3	54	8	SUB CORD, FR. STOP SWITCH	G3	59	3	VALVE, IN.	E4	39	5
SPOKE SET A,	H1	73	1	SUB TANK, RESONATOR	H11	83	12	VISOR SET, FR.	G1	57	6
				SUSPENSION, FUSE CASE	I12	100	11				
SPOKE SET A, FR.	G16	72	1		I13	101	9	[W]			
SPOKE SET A, RR.	H4	76	1	SUSPENSION, WINKER RELAY	I12	100	13	WASHER B, THRUST, 20MM	E16	51	18
SPOKE SET B, FR.	G16	72	2		I13	101	11	WASHER, 10MM	I15	103	20
SPOKE SET B, RR.	H4	76	2	SWINGARM SUB ASSY., RR.	I1	89	14	WASHER, 14MM	F2	53	17
SPRING ASSY., SIDE STAND	H16	88	5	SWITCH ASSY., CLUTCH	G3	59	6	WASHER, 14.1X29X2.8	E8	43	14
SPRING A, BRAKE ROD	H14	86	11	SWITCH ASSY., COMBINATION & LOCK	G8	64	2		E11	46	5
SPRING SET, BRAKE PEDAL	H14	86	13		G9	65	2	WASHER, 14.2X26X3	E13	48	12
SPRING, BEARING PUSH	E14	49	5	SWITCH ASSY., FR. STOP	G5	61	4	WASHER, 15.5X22	H14	86	16
SPRING, BRAKE ARM	G15	71	12		G7	63	1	WASHER, 6X9	I1	89	16
SPRING, BRAKE SHOE	G15	71	3	SWITCH ASSY., RR. STOP	H14	86	6	WASHER, 6.5X20	G11	67	4
	H3	75	6	SWITCH ASSY., STARTER MAGNETIC	I11	99	7		I16	104	9
SPRING, CARBON BRUSH	E12	47	3	SWITCH ASSY., THERMOSTAT	I12	100	9		I1	89	17
SPRING, CHANGE SWITCH CONTACT	F2	53	13		I13	101	7	WASHER, 8MM	H5	77	16
SPRING, CLUTCH	E8	43	10	SWITCH ASSY., WINKER	G3	59	5	WASHER, BUSH	H14	86	15
SPRING, CLUTCH LEVER	E7	42	5		G5	61	3	WASHER, CHAIN CASE	H9	81	8
SPRING, FR. FORK	G12	68	4	SWITCH COMP., START	G3	59	4		H10	82	19
	G13	69	3	SWITCH COMP., WINKER	G3	59	5	WASHER, CHAIN CASE SETTING	G1	57	14
SPRING, GEARSHIFT RETURN	F2	53	10	SWITCH SET, NEUTRAL	E14	49	7	WASHER, CHAIN SLIDER	I1	89	11
SPRING, KICK RETURN	F3	54	9	SWITCH SET, SIDE STAND	H16	88	1	WASHER, DRAIN PLUG, 12MM	E14	49	14
SPRING, KICK STARTER	H14	86	5	[T]				WASHER, DRUM STOPPER	F2	53	16
SPRING, OIL THROUGH	E13	48	9	TAILLIGHT UNIT	I9	97	2	WASHER, GEAR	H1	73	16
SPRING, PAD	G14	70	6	TANK COMP., FUEL	H6	78	2	WASHER, OIL BOLT	G7	63	15
SPRING, RATCHET	F3	54	6	TENSIONER ASSY., CAM CHAIN	E5	40	3	WASHER, PLAIN, 12MM	E2	37	16
SPRING, REBOUND	G12	68	7	TERMINAL SET, BRUSH	E12	47	2	WASHER, PLAIN, 17MM	E8	43	13
	G13	69	6	THREAD, STEERING HEAD TOP	G10	66	7	WASHER, PLAIN, 3MM	I16	104	8
SPRING, SHIFT DRUM STOPPER	F2	53	8	THROUGH, OIL	E13	48	8	WASHER, PLAIN, 4MM	I8	96	14
SPRING, SIDE STAND	H16	88	6	TIRE, FR.	G16	72	9	WASHER, PLAIN, 5MM	G1	57	21
SPRING, SIDE STAND SUB	H16	88	4	TIRE, RR.	H1	73	11		I10	98	23
SPRING, STEP RETURN	H15	87	4	T-JOINT	H11	83	4	WASHER, PLAIN, 6MM	H12	84	21
SPRING, STOP SWITCH	H14	86	7	TOP SET	F4	55	4	WASHER, PLAIN, 8MM	H12	84	23
SPRING, VALVE INNER	E4	39	8	TUBE	F5	56	24		H15	87	17
SPRING, VALVE OUTER	E4	39	7	TUBE A, INNLET	H11	83	13	WASHER, RR. AXLE	H5	77	17
SPROCKET, CAM	E5	40	1	TUBE COMP., AIR VENT	F5	56	25	WASHER, RUBBER	G1	57	12
SPROCKET, DRIVE	E16	51	15	TUBE, 8X35	H11	83	23	WASHER, SEALING, 6.2X12X1.2	E1	36	10
SPROCKET, FINAL DRIVEN	H4	76	3	TUBE, AIR CLEANER CONNECTING	H10	82	7	WASHER, SPECIAL, 14MM	F3	54	12
STATOR COMP.	E11	46	2	TUBE, AIR SUCTION VALVE				WASHER, SPECIAL, 8MM	G12	68	18
STAY, COUPLER	G2	58	12		H11	83	10		G13	69	19
STAY, HEADLIGHT LOWER	G1	57	11	TUBE, BREATHER	H10	82	16	WASHER, SPEEDOMETER GEAR	G15	71	6
STAY, L. HEADLIGHT	G8	64	11	TUBE, BREATHER DRAIN	H10	82	14	WASHER, SPLINE, 20MM	E16	51	17
	G9	65	11	TUBE, EXCHANGE	H11	83	11	WASHER, SPRING, 6MM	I11	99	12
STAY, L. RR. WINKER	I8	96	10	TUBE, FUEL	H6	78	9	WASHER, STEERING STEM	G8	64	16
STAY, NUMBER BRACKET	I9	97	14	TUBE, REED VALVE	H11	83	9		G9	65	16
STAY, RR. REFLEX REFLECTOR	I4	92	8	TUBE, SUCTION	H11	83	8				
STAY, R. HEADLIGHT	G8	64	10								
	G9	65	10								
STAY, R. RR. WINKER	I8	96	9								
STAY, SPEEDOMETER	G2	58	13								

PART NAME INDEX

L 7

Part name	Address	Page	Ref.	Part name	Address	Page	Ref.	Part name	Address	Page	Ref.
WASHER, THRUST, 12MM	E16	51	19								
WASHER, THRUST, 16MM	F3	54	11								
WASHER, THRUST, 17MM	E16	51	20								
	F3	54	13								
WEIGHT, PILLION STEP	H15	87	14								
WHEEL SUB ASSY., FR.	G16	72	7								
	H1	73	8								
WHEEL SUB ASSY., RR.	H4	76	8								
WINKER ASSY., L. FR.	I7	95	3								
	I8	96	3								
WINKER ASSY., L. RR.	I7	95	5								
	I8	96	7								
WINKER ASSY., R. FR.	I7	95	1								
	I8	96	1								
WINKER ASSY., R. RR.	I7	95	4								
	I8	96	4								
WRENCH, EYE, 24MM	I16	104	20								
WRENCH, SPARK PLUG	I16	104	7								

1

FOREWORD INDEX

2

ENGINE GROUP

3

FRAME GROUP

4

PART NUMBER INDEX

5

PART NAME INDEX

HONDA
The Power of Dreams