

XR125LEK/XL125LEK/XR150LEK

XR125LEK_E
XR125LEK_J
XL125LEK_E
XR150LEK_E
XR150LEK_H
XR150LEK_J

PARTS CATALOGUE

2

FOREWORD INDEX

1

ENGINE GROUP

2

FRAME GROUP

3

PART NUMBER INDEX

4

PART NAME INDEX

5

Instruction for use of parts catalogue

- **This parts catalogue has been created as of October 01, 2017.**
 - Since this date, the sales practice for repair parts may have been changed or the parts may have been eliminated (listed for those not for sale).
 - The modified information is reflected on the latest Electronic Parts Catalogue (EPC).
Also, refer to the parts catalogue news for any change.
 - See the parts catalogue news for any revision that is made after October 01, 2017.
- **Always specify the part number when ordering a part.**
 - Check the model, type, serial numbers, color, maker, and the size as needed before ordering a part.
 - Note that the illustrations (part drawings) can differ from the actual parts in shape.
They are given just to help you to refer to the parts.
- **When modifications or additions to this parts catalogue are made, a revised edition will be issued at an appropriate time, with successively progressing revision numbers on the cover. We recommend obtaining such revisions in order to keep your parts catalogue up-to-date at all times. To check whether a parts catalogue revision has been issued, please contact your Honda distributor.**

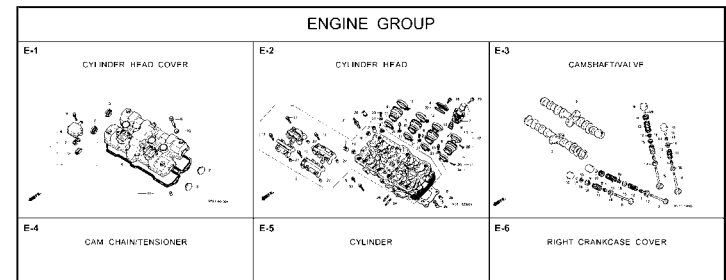
Initial version issue date
February 10, 2014
Honda Motor Co., Ltd.

CONTENTS

	Page
● Instruction for use of parts catalogue	1
● How to refer to the part information	2
● Part catalogue structure	3
● When the parts were revised.....	5
● Abbreviations used in the parts catalogue.....	5
● Part block and serial number check	6
● Color label attachment position check.....	6
● Models, parts catalogue codes and applicable serial numbers.....	7
● Color label	9
● Color chart.....	10
● Fuel hose, general purpose hoses and vinyl hose	36
● FLAT RATE SERVICE TIME	40
● Illustrated index	45
● ENGINE GROUP.....	53
● FRAME GROUP.....	78
● PART NO. INDEX.....	138
● PART NAME INDEX.....	143

How to refer to the part information

A Reference with "Illustrated index"

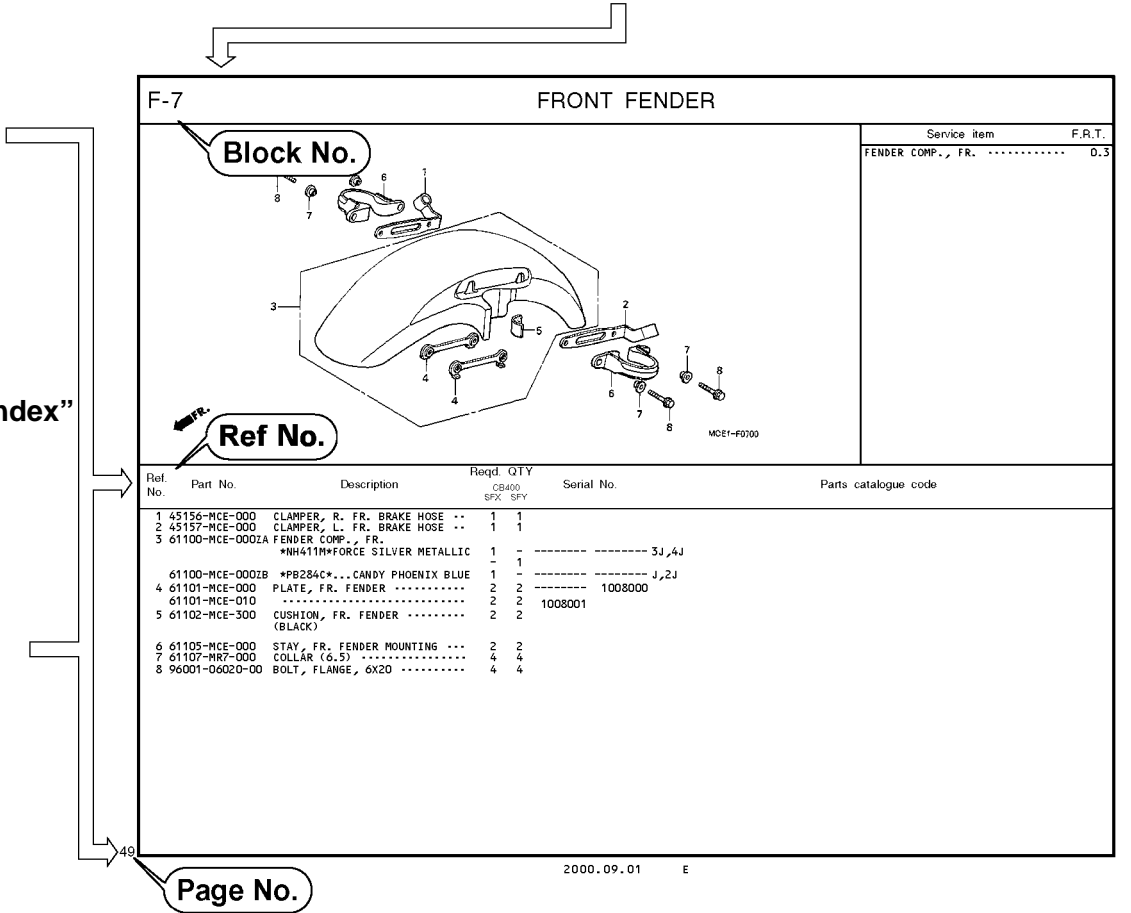


B Reference with "Part number index"

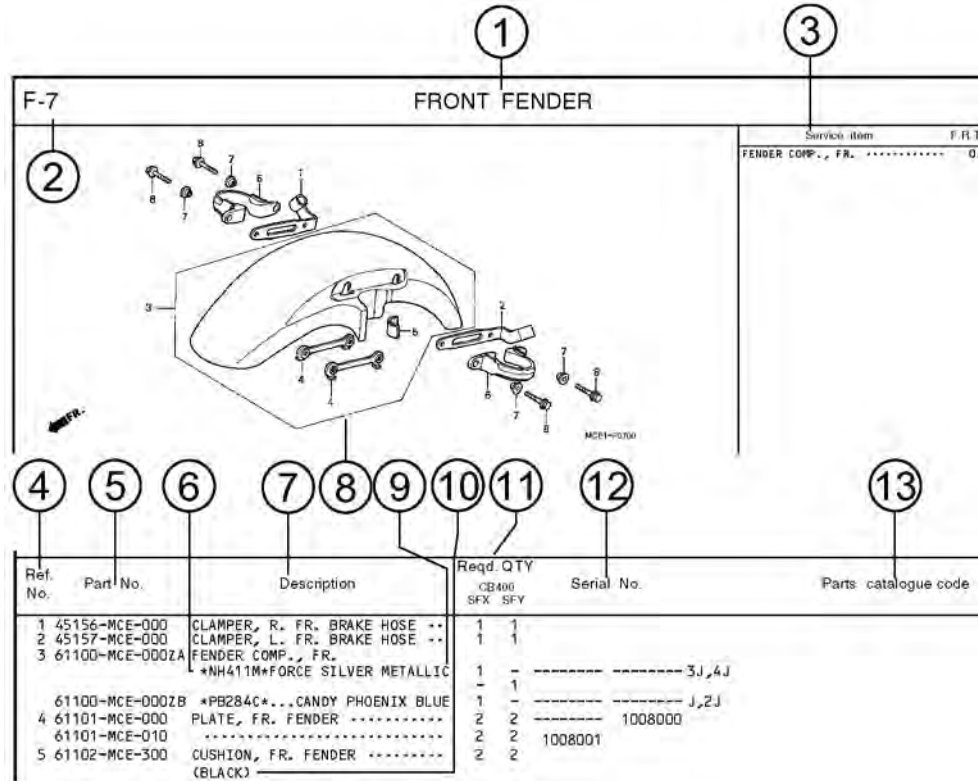
PART NO. INDEX			
Part Number	Page	Ref.	
04000			13323-MY9-751 28 10
			13324-MY9-751 28 10
04911-MCE-000	26	1	13325-MY9-751 28 10
			13327-MY9-751 28 10
06000			14000
06405-MY5-P00	67	3	14100-MCE-000 13 2
06405-MY5-P10	67	3	14200-MCE-000 13 3
06410-MY9-860	56	1	14321-MCE-000 16 2
06435-MCE-006	55	1	14401-MCE-003 16 3
06451-166-405	51	2	14510-MCE-000 16 4
06451-443-405	55	2	14520-MY9-691 16 5
06451-MA7-405	51	1	14524-MY9-690 16 6
06455-MCE-006	51	3	14546-MCE-000 16 7
			14620-MY9-691 16 8
11000			14711-MCE-000 13 4
11210-MCE-000	25	1	14712-MCE-000 13 5
11330-MCE-305	18	1	14721-MCE-000 13 6
11333-RT3-000	22	1	14722-MCE-000 13 7
11335-MCE-000	18	2	14730-MCE-000 13 8
11360-MCE-000	23	1	14731-MCE-000 13 9
11365-MCE-000	23	2	14731-MY9-751 13 10
11396-MY9-000	18	3	14751-MY2-000 13 11
11631-MCE-000	21	1	14751-MCE-000 13 12
11691-MY9-000	21	2	14761-MCE-000 13 13

C Reference with "Part name index"

PART NAME INDEX			
Part name	Page	Ref.	Pe
[A]			
ADJUSTER, CHAIN	67	5	BOLT, CHANGE
ARM COMP., GEAR CHANGE	64	3	BOLT, CLUTCH
ARM, L. MAIN STEP	65	8	BOLT, CONNECT
ARM, L. PILLION STEP	65	12	BOLT, DISK, 4
ARM, R. MAIN STEP	65	5	BOLT, DRAIN F
ARM, R. PILLION STEP	65	11	BOLT, FLANGE
AUTO COOK ASSY., FUEL	73	3	BOLT, FLANGE
AXLE, FR. WHEEL	52	5	BOLT, FLANGE
AXLE, RR. WHEEL	56	3	BOLT, FLANGE
[B]			
BAG, AIR PRESSURE GAUGE	77	4	BOLT, FLANGE
BAG, SERVICE BOOK	77	1	BOLT, FLANGE
BAG, TOOL	77	3	BOLT, FLANGE
BALL, STEEL	65	20	BOLT, FLANGE
BAND A, INSULATOR	11	11	BOLT, FLANGE
BAND B, INSULATOR	11	12	BOLT, FLANGE
BAND, AIR CLEANER CONNECTING TUBE	62	22	BOLT, FLANGE
BAND, U-LOCK	70	3	BOLT, FLANGE
BAND, WIRE	26	14	BOLT, FLANGE
	63	21	BOLT, FLANGE
	74	18	BOLT, FLANGE



Part catalogue structure



① Block title ② Block number

③ Service item/Flat rate time

④ Reference number

- Title number marked with the parenthesis or parentheses indicates that it continues from the previous page.

⑤ Part number ⑥ Honda color code

⑦ Description

⑧ Assemblies

- Sections framed with broken lines in the exploded view drawings are available as complete assemblies. (Their individual parts can also be obtained.)

⑨ Color description

⑩ Note

- Notes are shown with the parentheses in the part name column.

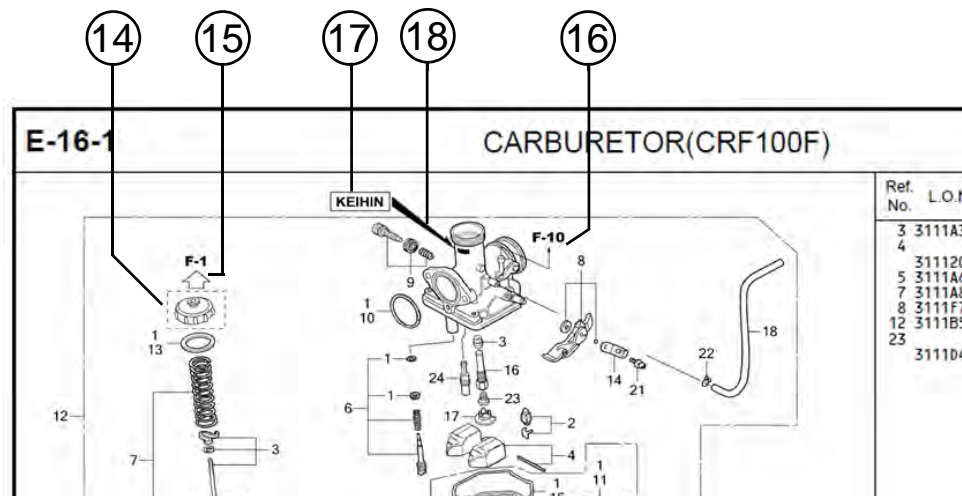
⑪ Required quantity


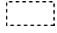
- Reqd. QTY shown in the parenthesis or parentheses indicates the optional part.
- Reqd. QTY marked with "N" indicates the optional part that should be selected as needed.
- Reqd. QTY indicates the number of the part used in the block.




⑫ Serial number


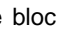
⑬ Parts catalogue code

- When the parts catalogue code column is blank, it indicates that the part is applicable to all codes.



⑭ 
 • Parts enclosed within a dotted line  are covered in a different block.

⑮ 
 • A hollow arrow  indicates the block No. for the parts enclosed within a dotted line .

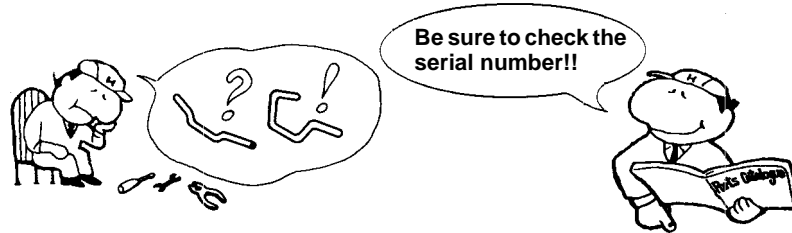
⑯ 
 • A solid arrow  indicates the block No. the part in question is connected to.

⑰ **Replacement Identification Information for Designated Part No.**

⑱ **Location of Replacement Identification Information for Designated Part No.**

- If an arrow mark is indicated in 18, the part is incompatible with a different part No.
- Make sure to order the part of the same manufacture, including the component part.
- To make an order, indicate the part No., which includes the symbol displayed on the applicable section of the part to be replaced.

When the parts were revised



Ref. No.	Part No.	Description	Reqd. QTY		Serial No.
			CB400 SFX	SFY	
1	45156-MCE-000	CLAMPER, R. FR. BRAKE HOSE ..	1	1	
2	45157-MCE-000	CLAMPER, L. FR. BRAKE HOSE ..	1	1	
3	61100-MCE-000ZA	FENDER COMP., FR. *NH411M*FORCE SILVER METALLIC	1	-	-----3J,4J
	61100-MCE-000ZB	*PB284C*...CANDY PHOENIX BLUE	1	-	-----J,2J
4	61101-MCE-000	PLATE, FR. FENDER (###).....	2	2	-----1008000
	61101-MCE-010	2	2	-----1008001
5	61102-MCE-300	CUSHION, FR. FENDER (BLACK)	2	2	
6	61105-MCE-000	STAY, FR. FENDER MOUNTING ...	2	2	
7	61107-MR7-000	COLLAR (6,5)	4	4	
8	96001-06020-00	BOLT, FLANGE, 6X20	4	4	

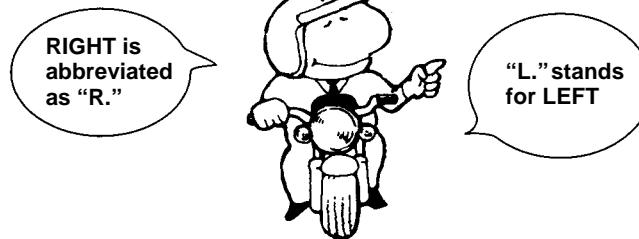
The number has been used from the initial model without revision.

When shown at the left side, it is applicable to the models of No.1008001 and the subsequent numbers.

When shown at the right side, it is applicable to the models up to No.1008000.

The parts listed with "###" at the end of the parts name have limited supply period (parts not for sale).

Abbreviations used in the parts catalogue

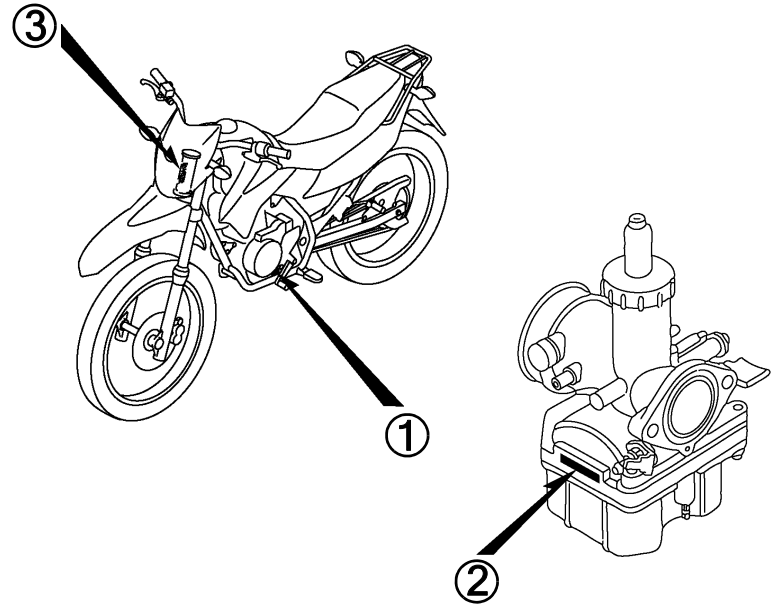
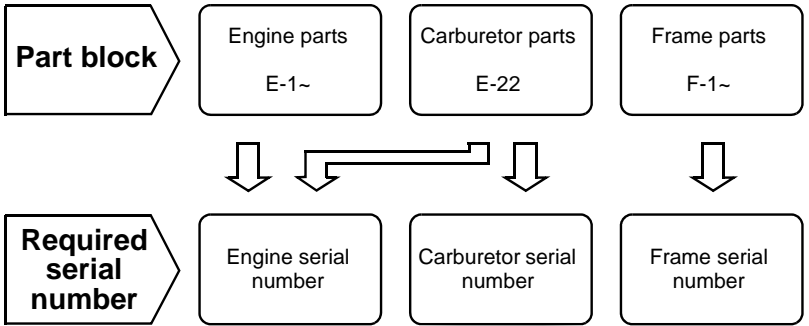


* "L." or "R." in the description of a part stands for the LEFT hand side or the RIGHT hand side. Determine the left or right as if you were in the motorcycle seat.

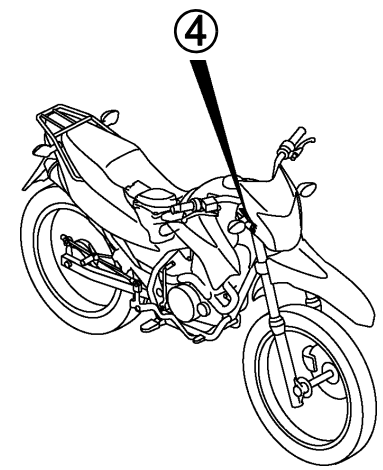
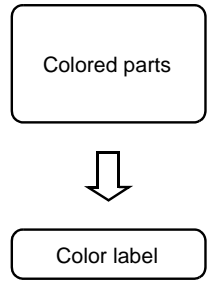
The following abbreviations are used in this parts catalogue.

A Ampere	L.Left
ABS Anti-lock brake system	L (100L) .Link (100 Links)
A.C. Alternating current	L.E.D.Light emitted diode
A.M. Attaching mark	MMMillimeter
ASSY. Assembly	MPHMiles per hour
C.D.I. Capacitive discharge ignition	R.Right
COMP. ... Complete	RR.Rear
CP. Candle power	STD.Standard
D.C. Direct current	T (22T) ...Tooth (22 Teeth)
EX. Exhaust	TCSTraction control system
FR. Front	T.M.Transcript mark
G Gram	VVolt
HEX. Hexagonal	WWatt
IN. Inlet	WLWith labelling
KPH Kilometers per hour	WOLWithout labelling

Part block and serial number check



Color label attachment position check



Models, parts catalogue codes and applicable serial numbers

Models, parts catalogue codes and applicable serial Nos. given in this parts catalogue can be identified as follows.

Parts with parts catalogue codes are exclusive for models destined for countries designated.

If no area codes are listed, parts are for common use.

Model	Area code	Type	Applicable engine serial No.	Applicable frame serial No.	Applicable carburetor identification No.
XR125LEKE	3LA	Latin America	JD21E-2100001~2199999	LTMJD219*E5200001~E5299999	PDN2J A
	DK	General export (KPH)			
	SA	South Africa			PDN2H A
XR125LEKJ	3LA	Latin America			PDN2J A
	DK	General export (KPH)			
	SA	South Africa			PDN2H A
XL125LEKE	2SA	South Africa	JD21E-2100001~2199999	LTMJD219*E5200001~E5299999	PDN2H A
XR150LEKE	1LA	Latin America	KD07E-2000001~2099999	LTMKD079*E5200001~E5299999	PDN2P A
	3LA				PDN2M A
	AG	Argentina		8CHKD090*FL000001~FL099999	PDN2P A
	CO	Colombia			PDN2N A
	DK	General export (KPH)		LTMKD079*E5200001~E5299999	PDN2M A
	MX	Mexico		3H1KD417*FD000001~FD999999	PDN2N A
	NZ	New Zealand		LTMKD079*E5200001~E5299999	PDN2P A
	PE	Peru			PDN2M A
SA	South Africa	KD07E-2000001~2099999	LTMKD079*E5200001~E5299999	PDN2P A	

Model	Area code	Type	Applicable engine serial No.	Applicable frame serial No.	Applicable carburetor identification No.
XR150LEKH	1LA	Latin America	KD07E-2200001~	LTMKD119*H5000201~	PDN2P A
	3LA				PDN2M A
	AG	Argentina			PDN2P A
	DK	General export (KPH)	KD07E-2200001~	LTMKD119*H5000201~	PDN2M A
	MX	Mexico	KD07E-2100001~	3H1KD417*HD200001~	PDN2N A
	NZ	New Zealand	KD07E-2200001~	LTMKD119*H5000201~	PDN2P A
	SA	South Africa			
XR150LEKJ	1LA	Latin America			PDN2P A
	3LA				PDN2M A
	CL	Chile			N2R A
	DK	General export (KPH)			PDN2M A
	NZ	New Zealand			PDN2P A
	PE	Peru			N2Q A
	SA	South Africa			PDN2P A

* Of carburetor/throttle body identification numbers, only the portions underlined in the example below are used for registration.

PDN2J A KC 7

Color label

- When ordering parts, check the model name, main color, and code by observing the “COLOR LABEL” on the vehicle.
- When ordering a colored part, use the color chart in the instruction for use of parts catalogue.

No.		MODEL	VFR800FIW				
		COLOR	Sparkling silver metallic	Mute black metallic	Applicable model		Applicable block No.
CODE		NH-295M	NH-359M	Initial applicable model	Final applicable model		
		Name of colored parts	Basic part No.	NH295	NH359		
1							
2							
3							
4							
5							
6							
7							
8							
9							
10							

VFR800FIW
COLOR R-157
CODE R157

Color chart

- When ordering a colored part, refer to the chart below and use a part number consisting of the relevant basic part number to which has been added a part color code.

XR125LEK (XR125LEKE).....3LA

No.	MODEL		XR125LEKE						
	COLOR		Fighting red	Black	Ross white	Applicable model		Applicable block No.	Ref. No.
	CODE		R-134	NH-1	NH-196				
	Name of colored parts	Basic part No.	R134	NH1	NH196	Initial applicable model	Final applicable model		
1	BODY COMP., FRAME	50100-KRH-A00	ZB	ZB	ZB			F-39	1
2	BRIDGE COMP., FORK TOP	53300-KRH-660	ZA	ZA	ZA			F-7	7
3	CARRIER COMP., RR.	81200-KRH-780	ZA	ZA	ZA			F-34	5
4	COVER SET, R. SIDE	83510-KRH-900	ZB	ZB	ZB			F-24	3
5	COVER, L. FR. SIDE	83601-KRH-900	ZA	ZA	ZA			F-24	7
6	COVER, L. SIDE	83600-KRH-900	ZB	ZB	ZB			F-24	6
7	COVER, R. FR. SIDE	83501-KRH-900	ZA	ZA	ZA			F-24	1
8	COWL SET, RR.	80100-KRH-900	ZB	ZB	ZB			F-34	4
9	FENDER, FR.	61100-KRH-660	ZA	ZC	ZB			F-10	1
10	HUB SUB ASSY., RR.	42635-KRH-780	ZA	ZA	ZA			F-19-10	7
11	LABEL, DRIVE CAUTION	87560-KYY-600	ZB	ZB	ZB			F-49	6
12	MARK, FR.	61315-KRH-900	ZC	ZC	ZC			F-50	2
13	MARK, RR.	61310-KRH-900	ZC	ZC	ZC			F-50	1
14	PANEL COMP., RR. BRAKE	43100-KRH-900	ZA	ZA	ZA			F-18	2
15	PIPE, STEERING HANDLE	53100-KRH-900	ZA	ZA	ZA			F-7	5
16	PROTECTOR, EX. PIPE	18345-KRH-900	ZA	ZA	ZA			F-27	9

XR125LEK (XR125LEKE).....3LA

No.	MODEL		XR125LEKE						
	COLOR		Fighting red	Black	Ross white	Applicable model		Applicable block No.	Ref. No.
	CODE		R-134	NH-1	NH-196				
	Name of colored parts	Basic part No.	R134	NH1	NH196	Initial applicable model	Final applicable model		
17	SEAT COMP., DOUBLE	77200-KRH-780	ZB	ZB	ZB			F-23	2
18	SHROUD SET, L. TANK	19200-KRH-620	ZC	ZB	ZA			F-21	13
19	SHROUD SET, R. TANK	19100-KRH-620	ZC	ZB	ZA			F-21	12
20	STRIPE A, L. TANK SHROUD	86192-KRH-660	ZC	ZB	ZA			F-50	6
21	STRIPE A, R. TANK SHROUD	86191-KRH-660	ZC	ZB	ZA			F-50	4
22	STRIPE B, L. TANK SHROUD	86194-KRH-620	ZC	ZB	ZA			F-50	9
23	STRIPE B, R. TANK SHROUD	86193-KRH-620	ZC	ZB	ZA			F-50	7
24	SWINGARM SUB ASSY., RR.	52200-KRH-780	ZA	ZA	ZA			F-32	14
25	TANK COMP., FUEL	17510-KRH-900	ZA	ZA	ZA			F-21	2
26	VISOR SET, FR.	61300-KRH-660	ZA	ZA	ZA			F-1	11
27	WHEEL SUB ASSY., RR.	42650-KRH-A00	ZA	ZA	ZA			F-19-10	8



XR125LEK (XR125LEKE).....DK,SA

No.	MODEL		XR125LEKE						
	COLOR		Fighting red	Black	Ross white	Applicable model		Applicable block No.	Ref. No.
	CODE		R-134	NH-1	NH-196				
	Name of colored parts	Basic part No.	R134	NH1	NH196	Initial applicable model	Final applicable model		
1	BODY COMP., FRAME	50100-KRH-A00	ZB	ZB	ZB			F-39	1
2	BRIDGE COMP., FORK TOP	53300-KRH-660	ZA	ZA	ZA			F-7	7
3	CARRIER COMP., RR.	81200-KRH-780	ZA	ZA	ZA			F-34	5
4	COVER SET, R. SIDE	83510-KRH-900	ZB	ZB	ZB			F-24	3
5	COVER, L. FR. SIDE	83601-KRH-900	ZA	ZA	ZA			F-24	7
6	COVER, L. SIDE	83600-KRH-900	ZB	ZB	ZB			F-24	6
7	COVER, R. FR. SIDE	83501-KRH-900	ZA	ZA	ZA			F-24	1
8	COWL SET, RR.	80100-KRH-900	ZB	ZB	ZB			F-34	4
9	FENDER, FR.	61100-KRH-660	ZA	ZC	ZB			F-10	1
10	HUB SUB ASSY., RR.	42635-KRH-780	ZA	ZA	ZA			F-19-10	7
11	LABEL, DRIVE CAUTION	87560-KYY-600	ZB	ZB	ZB			F-49	6
12	LABEL, RR. CARRIER	81220-KV8-860	ZA	ZA	ZA			F-49	1
13	MARK, FR.	61315-KRH-900	ZC	ZC	ZC			F-50	2
14	MARK, RR.	61310-KRH-900	ZC	ZC	ZC			F-50	1
15	PANEL COMP., RR. BRAKE	43100-KRH-900	ZA	ZA	ZA			F-18	2
16	PIPE, STEERING HANDLE	53100-KRH-900	ZA	ZA	ZA			F-7	5
17	PROTECTOR, EX. PIPE	18345-KRH-900	ZA	ZA	ZA			F-27	9
18	SEAT COMP., DOUBLE	77200-KRH-780	ZB	ZB	ZB			F-23	2

XR125LEK (XR125LEKE).....DK,SA

No.	MODEL		XR125LEKE						
	COLOR		Fighting red	Black	Ross white	Applicable model		Applicable block No.	Ref. No.
	CODE		R-134	NH-1	NH-196				
	Name of colored parts	Basic part No.	R134	NH1	NH196	Initial applicable model	Final applicable model		
19	SHROUD SET, L. TANK	19200-KRH-620	ZC	ZB	ZA			F-21	13
20	SHROUD SET, R. TANK	19100-KRH-620	ZC	ZB	ZA			F-21	12
21	STRIPE A, L. TANK SHROUD	86192-KRH-660	ZC	ZB	ZA			F-50	6
22	STRIPE A, R. TANK SHROUD	86191-KRH-660	ZC	ZB	ZA			F-50	4
23	STRIPE B, L. TANK SHROUD	86194-KRH-620	ZC	ZB	ZA			F-50	9
24	STRIPE B, R. TANK SHROUD	86193-KRH-620	ZC	ZB	ZA			F-50	7
25	SWINGARM SUB ASSY., RR.	52200-KRH-780	ZA	ZA	ZA			F-32	14
26	TANK COMP., FUEL	17510-KRH-900	ZA	ZA	ZA			F-21	2
27	VISOR SET, FR.	61300-KRH-660	ZA	ZA	ZA			F-1	11
28	WHEEL SUB ASSY., RR.	42650-KRH-A00	ZA	ZA	ZA			F-19-10	8



XR125LEK (XR125LEKJ).....3LA

No.	MODEL		XR125LEKJ						
	COLOR		Fighting red	Black	Ross white	Applicable model		Applicable block No.	Ref. No.
	CODE		R-134	NH-1	NH-196				
	Name of colored parts	Basic part No.	R134	NH1	NH196	Initial applicable model	Final applicable model		
1	BODY COMP., FRAME	50100-KRH-A00	ZB	ZB	ZB			F-39	1
2	BRIDGE COMP., FORK TOP	53300-KRH-660	ZA	ZA	ZA			F-7	7
3	CARRIER COMP., RR.	81200-KRH-780	ZA	ZA	ZA			F-34	5
4	COVER SET, R. SIDE	83510-KRH-900	ZB	ZA	ZB			F-24	3
5	COVER, L. FR. SIDE	83601-KRH-900	ZA	ZA	ZA			F-24	7
6	COVER, L. SIDE	83600-KRH-900	ZB	ZA	ZB			F-24	6
7	COVER, R. FR. SIDE	83501-KRH-900	ZA	ZA	ZA			F-24	1
8	COWL SET, RR.	80100-KRH-900	ZB	ZA	ZB			F-34	4
9	FENDER, FR.	61100-KRH-660	ZA	ZC	ZB			F-10	1
10	HUB SUB ASSY., RR.	42635-KRH-780	ZA	ZA	ZA			F-19-10	7
11	LABEL, DRIVE CAUTION	87560-KYY-600	ZB	ZB	ZB			F-49	6
12	MARK, FR.	61315-KRH-900	ZC	ZB	ZC			F-50	2
13	MARK, RR.	61310-KRH-900	ZC	ZB	ZC			F-50	1
14	PANEL COMP., RR. BRAKE	43100-KRH-900	ZA	ZA	ZA			F-18	2
15	PIPE, STEERING HANDLE	53100-KRH-900	ZA	ZA	ZA			F-7	5
16	PROTECTOR, EX. PIPE	18345-KRH-900	ZA	ZA	ZA			F-27	9
17	SEAT COMP., DOUBLE	77200-KRH-780	ZB	ZB	ZB			F-23	2
18	SHROUD SET, L. TANK	19200-KRH-G30	ZC	ZB	ZA			F-21	13

XR125LEK (XR125LEKJ).....3LA

No.	MODEL		XR125LEKJ						
	COLOR		Fighting red	Black	Ross white	Applicable model		Applicable block No.	Ref. No.
	CODE		R-134	NH-1	NH-196				
	Name of colored parts	Basic part No.	R134	NH1	NH196	Initial applicable model	Final applicable model		
19	SHROUD SET, R. TANK	19100-KRH-G30	ZC	ZB	ZA			F-21	12
20	STRIPE A, L. TANK SHROUD	86192-KRH-G30	ZC	ZB	ZA			F-50	22
21	STRIPE A, R. TANK SHROUD	86191-KRH-G30	ZC	ZB	ZA			F-50	21
22	STRIPE B, L. TANK SHROUD	86194-KRH-G00	ZB	ZA	ZC			F-50	24
23	STRIPE B, R. TANK SHROUD	86193-KRH-G00	ZB	ZA	ZC			F-50	23
24	STRIPE, L. FUEL TANK	86172-KRH-G00	ZC	ZB	ZA			F-50	20
25	STRIPE, R. FUEL TANK	86171-KRH-G00	ZC	ZB	ZA			F-50	19
26	SWINGARM SUB ASSY., RR.	52200-K79-E00	ZA	ZA	ZA			F-32	14
27	TANK SET, FUEL	17505-KRH-G00	ZB	ZA	ZC			F-21	23
28	VISOR SET, FR.	61300-K79-E00	ZB	ZA	ZB			F-1	11
29	WHEEL SUB ASSY., RR.	42650-KRH-A00	ZA	ZA	ZA			F-19-10	8



XR125LEK (XR125LEKJ).....DK,SA

No.	MODEL		XR125LEKJ						
	COLOR		Fighting red	Black	Ross white	Applicable model		Applicable block No.	Ref. No.
	CODE		R-134	NH-1	NH-196				
	Name of colored parts	Basic part No.	R134	NH1	NH196	Initial applicable model	Final applicable model		
1	BODY COMP., FRAME	50100-KRH-A00	ZB	ZB	ZB			F-39	1
2	BRIDGE COMP., FORK TOP	53300-KRH-660	ZA	ZA	ZA			F-7	7
3	CARRIER COMP., RR.	81200-KRH-780	ZA	ZA	ZA			F-34	5
4	COVER SET, R. SIDE	83510-KRH-900	ZB	ZA	ZB			F-24	3
5	COVER, L. FR. SIDE	83601-KRH-900	ZA	ZA	ZA			F-24	7
6	COVER, L. SIDE	83600-KRH-900	ZB	ZA	ZB			F-24	6
7	COVER, R. FR. SIDE	83501-KRH-900	ZA	ZA	ZA			F-24	1
8	COWL SET, RR.	80100-KRH-900	ZB	ZA	ZB			F-34	4
9	FENDER, FR.	61100-KRH-660	ZA	ZC	ZB			F-10	1
10	HUB SUB ASSY., RR.	42635-KRH-780	ZA	ZA	ZA			F-19-10	7
11	LABEL, DRIVE CAUTION	87560-KYY-600	ZB	ZB	ZB			F-49	6
12	LABEL, RR. CARRIER	81220-KV8-860	ZA	ZA	ZA			F-49	1
13	MARK, FR.	61315-KRH-900	ZC	ZB	ZC			F-50	2
14	MARK, RR.	61310-KRH-900	ZC	ZB	ZC			F-50	1
15	PANEL COMP., RR. BRAKE	43100-KRH-900	ZA	ZA	ZA			F-18	2
16	PIPE, STEERING HANDLE	53100-KRH-900	ZA	ZA	ZA			F-7	5
17	PROTECTOR, EX. PIPE	18345-KRH-900	ZA	ZA	ZA			F-27	9
18	SEAT COMP., DOUBLE	77200-KRH-780	ZB	ZB	ZB			F-23	2

XR125LEK (XR125LEKJ).....DK,SA

No.	MODEL		XR125LEKJ						
	COLOR		Fighting red	Black	Ross white	Applicable model		Applicable block No.	Ref. No.
	CODE		R-134	NH-1	NH-196				
	Name of colored parts	Basic part No.	R134	NH1	NH196	Initial applicable model	Final applicable model		
19	SHROUD SET, L. TANK	19200-KRH-G30	ZC	ZB	ZA			F-21	13
20	SHROUD SET, R. TANK	19100-KRH-G30	ZC	ZB	ZA			F-21	12
21	STRIPE A, L. TANK SHROUD	86192-KRH-G30	ZC	ZB	ZA			F-50	22
22	STRIPE A, R. TANK SHROUD	86191-KRH-G30	ZC	ZB	ZA			F-50	21
23	STRIPE B, L. TANK SHROUD	86194-KRH-G00	ZB	ZA	ZC			F-50	24
24	STRIPE B, R. TANK SHROUD	86193-KRH-G00	ZB	ZA	ZC			F-50	23
25	STRIPE, L. FUEL TANK	86172-KRH-G00	ZC	ZB	ZA			F-50	20
26	STRIPE, R. FUEL TANK	86171-KRH-G00	ZC	ZB	ZA			F-50	19
27	SWINGARM SUB ASSY., RR.	52200-K79-E00	ZA	ZA	ZA			F-32	14
28	TANK SET, FUEL	17505-KRH-G00	ZB	ZA	ZC			F-21	23
29	VISOR SET, FR.	61300-K79-E00	ZB	ZA	ZB			F-1	11
30	WHEEL SUB ASSY., RR.	42650-KRH-A00	ZA	ZA	ZA			F-19-10	8



XL125LEK (XL125LEKE)

No.	MODEL		XL125LEKE					
	COLOR		Fighting red	Ross white	Applicable model		Applicable block No.	Ref. No.
	CODE		R-134	NH-196	Initial applicable model	Final applicable model		
	Name of colored parts	Basic part No.	R134	NH196				
1	BODY COMP., FRAME	50100-KRH-640	ZA	ZA			F-39	1
2	BRIDGE COMP., FORK TOP	53300-KRH-660	ZA	ZA			F-7	7
3	CARRIER COMP., RR.	81200-KRH-780	ZA	ZA			F-34	5
4	COVER SET, R. SIDE	83510-KRH-900	ZB	ZB			F-24	3
5	COVER, L. FR. SIDE	83601-KRH-900	ZA	ZA			F-24	7
6	COVER, L. SIDE	83600-KRH-900	ZB	ZB			F-24	6
7	COVER, R. FR. SIDE	83501-KRH-900	ZA	ZA			F-24	1
8	COWL SET, RR.	80100-KRH-900	ZB	ZB			F-34	4
9	FENDER, FR.	61100-KRH-660	ZA	ZB			F-10	1
10	HUB SUB ASSY., FR.	44635-KRH-780	ZA	ZA			F-14-10	6
11	HUB SUB ASSY., RR.	42635-KRH-780	ZA	ZA			F-19-10	7
12	MARK, FR.	61315-KRH-900	ZC	ZC			F-50	2
13	MARK, RR.	61310-KRH-900	ZC	ZC			F-50	1
14	PANEL COMP., RR. BRAKE	43100-KRH-900	ZA	ZA			F-18	2
15	PANEL SUB COMP., FR. BRAKE	45010-KRH-780	ZA	ZA			F-13	7
16	PIPE, STEERING HANDLE	53100-KRH-640	ZA	ZA			F-7	5
17	PROTECTOR, EX. PIPE	18345-KRH-900	ZA	ZA			F-27	9
18	SEAT COMP., DOUBLE	77200-KRH-780	ZB	ZB			F-23	2

XL125LEK (XL125LEKE)

No.	MODEL		XL125LEKE					Applicable block No.	Ref. No.
	COLOR		Fighting red	Ross white	Applicable model				
	CODE		R-134	NH-196	Initial applicable model	Final applicable model			
	Name of colored parts	Basic part No.	R134	NH196					
19	SHROUD SET, L. TANK	19200-KRH-640	ZB	ZA			F-21	13	
20	SHROUD SET, R. TANK	19100-KRH-640	ZB	ZA			F-21	12	
21	STRIPE, L. TANK SHROUD	86192-KRH-640	ZB	ZA			F-50	5	
22	STRIPE, R. TANK SHROUD	86191-KRH-640	ZB	ZA			F-50	3	
23	SWINGARM SUB ASSY., RR.	52200-KRH-780	ZA	ZA			F-32	14	
24	TANK COMP., FUEL	17510-KRH-900	ZA	ZA			F-21	2	
25	VISOR SET, FR.	61300-KRH-660	ZA	ZA			F-1	11	
26	WHEEL SUB ASSY., FR.	44650-KRH-780	ZA	ZA			F-14-10	7	
27	WHEEL SUB ASSY., RR.	42650-KRH-780	ZA	ZA			F-19-10	8	

XR150LEK (XR150LEKE).....1LA,3LA,AG,CO,MX,PE

No.	MODEL		XR150LEKE						
	COLOR		Fighting red	Black	Ross white	Applicable model		Applicable block No.	Ref. No.
	CODE		R-134	NH-1	NH-196				
	Name of colored parts	Basic part No.	R134	NH1	NH196	Initial applicable model	Final applicable model		
1	BODY COMP., FRAME	50100-KRH-A00	ZB	ZB	ZB			F-39	1
2	BRIDGE COMP., FORK TOP	53300-KRH-660	ZA	ZA	ZA			F-7	7
3	CARRIER COMP., RR.	81200-KRH-780	ZA	ZA	ZA			F-34	5
4	COVER SET, L. SIDE	83650-KRH-660	ZA	ZA	ZA			F-24	8
5	COVER SET, R. SIDE	83550-KRH-660	ZA	ZA	ZA			F-24	4
6	COVER, L. FR. SIDE	83601-KRH-900	ZA	ZA	ZA			F-24	7
7	COVER, R. FR. SIDE	83501-KRH-900	ZA	ZA	ZA			F-24	1
8	COWL SET, RR.	80100-KRH-900	ZB	ZB	ZB			F-34	4
9	FENDER, FR.	61100-KRH-660	ZA	ZC	ZB			F-10	1
10	HUB SUB ASSY., RR.	42635-KRH-650	ZA	ZA	ZA			F-19-10	7
11	LABEL, DRIVE CAUTION	87560-KYY-600	ZB	ZB	ZB			F-49	6
12	MARK, FR.	61315-KRH-900	ZC	ZC	ZC			F-50	2
13	MARK, RR.	61310-KRH-900	ZC	ZC	ZC			F-50	1
14	PANEL COMP., RR. BRAKE	43100-KRH-900	ZA	ZA	ZA			F-18	2
15	PIPE, STEERING HANDLE	53100-KRH-900	ZA	ZA	ZA			F-7	5
16	PROTECTOR, EX. PIPE	18345-KRH-900	ZA	ZA	ZA			F-27	9
17	SEAT COMP., DOUBLE	77200-KRH-780	ZB	ZB	ZB			F-23	2
18	SHROUD SET, L. TANK	19200-KRH-660	ZC	ZB	ZA			F-21	13

XR150LEK (XR150LEKE).....1LA,3LA,AG,CO,MX,PE

No.	MODEL		XR150LEKE						
	COLOR		Fighting red	Black	Ross white	Applicable model		Applicable block No.	Ref. No.
	CODE		R-134	NH-1	NH-196				
	Name of colored parts	Basic part No.	R134	NH1	NH196	Initial applicable model	Final applicable model		
19	SHROUD SET, R. TANK	19100-KRH-660	ZC	ZB	ZA			F-21	12
20	STRIPE A, L. TANK SHROUD	86192-KRH-660	ZC	ZB	ZA			F-50	6
21	STRIPE A, R. TANK SHROUD	86191-KRH-660	ZC	ZB	ZA			F-50	4
22	STRIPE B, L. TANK SHROUD	86194-KRH-660	ZC	ZB	ZA			F-50	10
23	STRIPE B, R. TANK SHROUD	86193-KRH-660	ZC	ZB	ZA			F-50	8
24	STRIPE, L. SIDE COVER	86832-KRH-660	ZA	ZA	ZA			F-50	12
25	STRIPE, R. SIDE COVER	86831-KRH-660	ZA	ZA	ZA			F-50	11
26	SWINGARM SUB ASSY., RR.	52200-KRH-780	ZA	ZA	ZA			F-32	14
27	TANK COMP., FUEL	17510-KRH-900	ZA	ZA	ZA			F-21	2
28	VISOR SET, FR.	61300-KRH-660	ZA	ZA	ZA			F-1	11
29	WHEEL SUB ASSY., RR.	42650-KRH-650	ZA	ZA	ZA			F-19-10	8

XR150LEK (XR150LEKE).....DK,NZ,SA

No.	MODEL		XR150LEKE						
	COLOR		Fighting red	Black	Ross white	Applicable model		Applicable block No.	Ref. No.
	CODE		R-134	NH-1	NH-196				
	Name of colored parts	Basic part No.	R134	NH1	NH196	Initial applicable model	Final applicable model		
1	BODY COMP., FRAME	50100-KRH-A00	ZB	ZB	ZB			F-39	1
2	BODY COMP., FRAME	50100-KRH-A40	ZB	ZB	ZB			F-39	1
3	BRIDGE COMP., FORK TOP	53300-KRH-660	ZA	ZA	ZA			F-7	7
4	CARRIER COMP., RR.	81200-KRH-780	ZA	ZA	ZA			F-34	5
5	COVER SET, L. SIDE	83650-KRH-660	ZA	ZA	ZA			F-24	8
6	COVER SET, R. SIDE	83550-KRH-660	ZA	ZA	ZA			F-24	4
7	COVER, L. FR. SIDE	83601-KRH-900	ZA	ZA	ZA			F-24	7
8	COVER, R. FR. SIDE	83501-KRH-900	ZA	ZA	ZA			F-24	1
9	COWL SET, RR.	80100-KRH-900	ZB	ZB	ZB			F-34	4
10	FENDER, FR.	61100-KRH-660	ZA	ZC	ZB			F-10	1
11	HUB SUB ASSY., RR.	42635-KRH-650	ZA	ZA	ZA			F-19-10	7
12	LABEL, DRIVE CAUTION	87560-KYY-600	ZB	ZB	ZB			F-49	6
13	LABEL, RR. CARRIER	81220-KV8-860	ZA	ZA	ZA			F-49	1
14	MARK, FR.	61315-KRH-900	ZC	ZC	ZC			F-50	2
15	MARK, RR.	61310-KRH-900	ZC	ZC	ZC			F-50	1
16	PANEL COMP., RR. BRAKE	43100-KRH-900	ZA	ZA	ZA			F-18	2
17	PIPE, STEERING HANDLE	53100-KRH-900	ZA	ZA	ZA			F-7	5
18	PROTECTOR, EX. PIPE	18345-KRH-900	ZA	ZA	ZA			F-27	9

XR150LEK (XR150LEKE).....DK,NZ,SA

No.	MODEL		XR150LEKE						
	COLOR		Fighting red	Black	Ross white	Applicable model		Applicable block No.	Ref. No.
	CODE		R-134	NH-1	NH-196				
	Name of colored parts	Basic part No.	R134	NH1	NH196	Initial applicable model	Final applicable model		
19	SEAT COMP., DOUBLE	77200-KRH-780	ZB	ZB	ZB			F-23	2
20	SHROUD SET, L. TANK	19200-KRH-660	ZC	ZB	ZA			F-21	13
21	SHROUD SET, R. TANK	19100-KRH-660	ZC	ZB	ZA			F-21	12
22	STRIPE A, L. TANK SHROUD	86192-KRH-660	ZC	ZB	ZA			F-50	6
23	STRIPE A, R. TANK SHROUD	86191-KRH-660	ZC	ZB	ZA			F-50	4
24	STRIPE B, L. TANK SHROUD	86194-KRH-660	ZC	ZB	ZA			F-50	10
25	STRIPE B, R. TANK SHROUD	86193-KRH-660	ZC	ZB	ZA			F-50	8
26	STRIPE, L. SIDE COVER	86832-KRH-660	ZA	ZA	ZA			F-50	12
27	STRIPE, R. SIDE COVER	86831-KRH-660	ZA	ZA	ZA			F-50	11
28	SWINGARM SUB ASSY., RR.	52200-KRH-780	ZA	ZA	ZA			F-32	14
29	TANK COMP., FUEL	17510-KRH-900	ZA	ZA	ZA			F-21	2
30	VISOR SET, FR.	61300-KRH-660	ZA	ZA	ZA			F-1	11
31	WHEEL SUB ASSY., RR.	42650-KRH-650	ZA	ZA	ZA			F-19-10	8



XR150LEK (XR150LEKH).....1LA,3LA,AG,MX

No.	MODEL		XR150LEKH				
	COLOR		Black	Applicable model		Applicable block No.	Ref. No.
	CODE		NH-1	Initial applicable model	Final applicable model		
	Name of colored parts	Basic part No.	NH1				
1	BODY COMP., FRAME	50100-KRH-A00	ZB			F-39	1
2	BRIDGE COMP., FORK TOP	53300-KRH-660	ZA			F-7	7
3	CARRIER COMP., RR.	81200-KRH-780	ZA			F-34	5
4	COVER SET, L. SIDE	83650-KRH-H10	ZA			F-24	8
5	COVER SET, R. SIDE	83550-KRH-H10	ZB			F-24	4
6	COVER, L. FR. SIDE	83601-KRH-900	ZA			F-24	7
7	COVER, R. FR. SIDE	83501-KRH-900	ZA			F-24	1
8	COWL SET, RR.	80100-KRH-H10	ZA			F-34	4
9	FENDER, FR.	61100-KRH-660	ZA			F-10	1
10	HUB SUB ASSY., RR.	42635-KRH-650	ZA			F-19-10	7
11	LABEL, DRIVE CAUTION	87560-KYY-600	ZB			F-49	6
12	MARK, HONDA	86102-KRH-H10	ZA			F-50	1
13	MARK, HONDA	86101-KRH-H10	ZA			F-50	2
14	PANEL COMP., RR. BRAKE	43100-KRH-900	ZA			F-18	2
15	PIPE, STEERING HANDLE	53100-KRH-900	ZA			F-7	5
16	PROTECTOR, EX. PIPE	18345-KRH-900	ZA			F-27	9
17	SEAT COMP., DOUBLE	77200-KRH-780	ZB			F-23	2
18	SHROUD SET, L. TANK	19200-KRH-H10	ZA			F-21	13

XR150LEK (XR150LEKH).....1LA,3LA,AG,MX

No.	MODEL		XR150LEKH				
	COLOR		Black	Applicable model		Applicable block No.	Ref. No.
	CODE		NH-1	Initial applicable model	Final applicable model		
	Name of colored parts	Basic part No.	NH1				
19	SHROUD SET, R. TANK	19100-KRH-H10	ZA			F-21	12
20	STRIPE A, L. TANK SHROUD	86192-KRH-H10	ZA			F-50	14
21	STRIPE A, R. TANK SHROUD	86191-KRH-H10	ZA			F-50	13
22	STRIPE B, L. TANK SHROUD	86194-KRH-H10	ZA			F-50	16
23	STRIPE B, R. TANK SHROUD	86193-KRH-H10	ZA			F-50	15
24	STRIPE, L. SIDE COVER	86832-KRH-H10	ZA			F-50	18
25	STRIPE, R. SIDE COVER	86831-KRH-H10	ZA			F-50	17
26	SWINGARM SUB ASSY., RR.	52200-KRH-780	ZA			F-32	14
27	TANK COMP., FUEL	17510-KRH-900	ZA			F-21	2
28	VISOR SET, FR.	61300-KRH-H10	ZB			F-1	11
29	WHEEL SUB ASSY., RR.	42650-KRH-650	ZA			F-19-10	8

XR150LEK (XR150LEKH).....DK,NZ,SA

No.	MODEL		XR150LEKH				
	COLOR		Black	Applicable model		Applicable block No.	Ref. No.
	CODE		NH-1	Initial applicable model	Final applicable model		
	Name of colored parts	Basic part No.	NH1				
1	BODY COMP., FRAME	50100-KRH-A00	ZB			F-39	1
2	BODY COMP., FRAME	50100-KRH-A40	ZB			F-39	1
3	BRIDGE COMP., FORK TOP	53300-KRH-660	ZA			F-7	7
4	CARRIER COMP., RR.	81200-KRH-780	ZA			F-34	5
5	COVER SET, L. SIDE	83650-KRH-H10	ZA			F-24	8
6	COVER SET, R. SIDE	83550-KRH-H10	ZB			F-24	4
7	COVER, L. FR. SIDE	83601-KRH-900	ZA			F-24	7
8	COVER, R. FR. SIDE	83501-KRH-900	ZA			F-24	1
9	COWL SET, RR.	80100-KRH-H10	ZA			F-34	4
10	FENDER, FR.	61100-KRH-660	ZA			F-10	1
11	HUB SUB ASSY., RR.	42635-KRH-650	ZA			F-19-10	7
12	LABEL, DRIVE CAUTION	87560-KYY-600	ZB			F-49	6
13	LABEL, RR. CARRIER	81220-KV8-860	ZA			F-49	1
14	MARK, HONDA	86102-KRH-H10	ZA			F-50	1
15	MARK, HONDA	86101-KRH-H10	ZA			F-50	2
16	PANEL COMP., RR. BRAKE	43100-KRH-900	ZA			F-18	2
17	PIPE, STEERING HANDLE	53100-KRH-900	ZA			F-7	5
18	PROTECTOR, EX. PIPE	18345-KRH-900	ZA			F-27	9

XR150LEK (XR150LEKH).....DK,NZ,SA

No.	MODEL		XR150LEKH				
	COLOR		Black	Applicable model		Applicable block No.	Ref. No.
	CODE		NH-1	Initial applicable model	Final applicable model		
	Name of colored parts	Basic part No.	NH1				
19	SEAT COMP., DOUBLE	77200-KRH-780	ZB			F-23	2
20	SHROUD SET, L. TANK	19200-KRH-H10	ZA			F-21	13
21	SHROUD SET, R. TANK	19100-KRH-H10	ZA			F-21	12
22	STRIPE A, L. TANK SHROUD	86192-KRH-H10	ZA			F-50	14
23	STRIPE A, R. TANK SHROUD	86191-KRH-H10	ZA			F-50	13
24	STRIPE B, L. TANK SHROUD	86194-KRH-H10	ZA			F-50	16
25	STRIPE B, R. TANK SHROUD	86193-KRH-H10	ZA			F-50	15
26	STRIPE, L. SIDE COVER	86832-KRH-H10	ZA			F-50	18
27	STRIPE, R. SIDE COVER	86831-KRH-H10	ZA			F-50	17
28	SWINGARM SUB ASSY., RR.	52200-KRH-780	ZA			F-32	14
29	TANK COMP., FUEL	17510-KRH-900	ZA			F-21	2
30	VISOR SET, FR.	61300-KRH-H10	ZB			F-1	11
31	WHEEL SUB ASSY., RR.	42650-KRH-650	ZA			F-19-10	8



XR150LEK (XR150LEKJ).....1LA,3LA

No.	MODEL		XR150LEKJ						
	COLOR		Fighting red	Black	Ross white	Applicable model		Applicable block No.	Ref. No.
	CODE		R-134	NH-1	NH-196				
	Name of colored parts	Basic part No.	R134	NH1	NH196	Initial applicable model	Final applicable model		
1	BODY COMP., FRAME	50100-KRH-A00	ZB	ZB	ZB			F-39	1
2	BRIDGE COMP., FORK TOP	53300-KRH-660	ZA	ZA	ZA			F-7	7
3	CARRIER COMP., RR.	81200-KRH-780	ZA	ZA	ZA			F-34	5
4	COVER SET, R. SIDE	83510-KRH-900	ZB	ZA	ZB			F-24	3
5	COVER, L. FR. SIDE	83601-KRH-900	ZA	ZA	ZA			F-24	7
6	COVER, L. SIDE	83600-KRH-900	ZB	ZA	ZB			F-24	6
7	COVER, R. FR. SIDE	83501-KRH-900	ZA	ZA	ZA			F-24	1
8	COWL SET, RR.	80100-KRH-900	ZB	ZA	ZB			F-34	4
9	FENDER, FR.	61100-KRH-660	ZA	ZC	ZB			F-10	1
10	HUB SUB ASSY., RR.	42635-KRH-650	ZA	ZA	ZA			F-19-10	7
11	LABEL, DRIVE CAUTION	87560-KYY-600	ZB	ZB	ZB			F-49	6
12	MARK, FR.	61315-KRH-900	ZC	ZB	ZC			F-50	2
13	MARK, RR.	61310-KRH-900	ZC	ZB	ZC			F-50	1
14	PANEL COMP., RR. BRAKE	43100-KRH-900	ZA	ZA	ZA			F-18	2
15	PIPE, STEERING HANDLE	53100-KRH-900	ZA	ZA	ZA			F-7	5
16	PROTECTOR, EX. PIPE	18345-KRH-900	ZA	ZA	ZA			F-27	9
17	SEAT COMP., DOUBLE	77200-KRH-780	ZB	ZB	ZB			F-23	2
18	SHROUD SET, L. TANK	19200-KRH-G00	ZB	ZA	ZC			F-21	13

XR150LEK (XR150LEKJ).....1LA,3LA

No.	MODEL		XR150LEKJ						
	COLOR		Fighting red	Black	Ross white	Applicable model		Applicable block No.	Ref. No.
	CODE		R-134	NH-1	NH-196				
	Name of colored parts	Basic part No.	R134	NH1	NH196	Initial applicable model	Final applicable model		
19	SHROUD SET, R. TANK	19100-KRH-G00	ZB	ZA	ZC			F-21	12
20	STRIPE B, L. TANK SHROUD	86194-KRH-G00	ZB	ZA	ZC			F-50	24
21	STRIPE B, R. TANK SHROUD	86193-KRH-G00	ZB	ZA	ZC			F-50	23
22	STRIPE, L. FUEL TANK	86172-KRH-G00	ZC	ZB	ZA			F-50	20
23	STRIPE A, L. TANK SHROUD	86192-KRH-G00	ZC	ZB	ZA			F-50	22
24	STRIPE, R. FUEL TANK	86171-KRH-G00	ZC	ZB	ZA			F-50	19
25	STRIPE A, R. TANK SHROUD	86191-KRH-G00	ZC	ZB	ZA			F-50	21
26	SWINGARM SUB ASSY., RR.	52200-K79-E00	ZA	ZA	ZA			F-32	14
27	TANK SET, FUEL	17505-KRH-G00	ZB	ZA	ZC			F-21	23
28	VISOR SET, FR.	61300-K79-E00	ZB	ZA	ZB			F-1	11
29	WHEEL SUB ASSY., RR.	42650-KRH-650	ZA	ZA	ZA			F-19-10	8



XR150LEK (XR150LEKJ).....CL,PE

No.	MODEL		XR150LEKJ						
	COLOR		Fighting red	Black	Ross white	Applicable model		Applicable block No.	Ref. No.
	CODE		R-134	NH-1	NH-196				
	Name of colored parts	Basic part No.	R134	NH1	NH196	Initial applicable model	Final applicable model		
1	BODY COMP., FRAME	50100-KRH-A00	ZB	ZB	ZB			F-39	1
2	BRIDGE COMP., FORK TOP	53300-KRH-660	ZA	ZA	ZA			F-7	7
3	CARRIER COMP., RR.	81200-KRH-780	ZA	ZA	ZA			F-34	5
4	COVER SET, R. SIDE	83510-KRH-900	ZB	ZA	ZB			F-24	3
5	COVER, L. FR. SIDE	83601-KRH-900	ZA	ZA	ZA			F-24	7
6	COVER, L. SIDE	83600-KRH-900	ZB	ZA	ZB			F-24	6
7	COVER, R. FR. SIDE	83501-KRH-900	ZA	ZA	ZA			F-24	1
8	COWL SET, RR.	80100-KRH-900	ZB	ZA	ZB			F-34	4
9	FENDER, FR.	61100-KRH-660	ZA	ZC	ZB			F-10	1
10	HUB SUB ASSY., RR.	42635-KRH-650	ZA	ZA	ZA			F-19-10	7
11	LABEL, DRIVE CAUTION	87560-KYY-600	ZB	ZB	ZB			F-49	6
12	MARK, FR.	61315-KRH-900	ZC	ZB	ZC			F-50	2
13	MARK, RR.	61310-KRH-900	ZC	ZB	ZC			F-50	1
14	PANEL COMP., RR. BRAKE	43100-KRH-900	ZA	ZA	ZA			F-18	2
15	PIPE, STEERING HANDLE	53100-KRH-G00	ZA	ZA	ZA			F-7	5
16	PROTECTOR, EX. PIPE	18345-KRH-900	ZA	ZA	ZA			F-27	9
17	SEAT COMP., DOUBLE	77200-KRH-780	ZB	ZB	ZB			F-23	2
18	SHROUD SET, L. TANK	19200-KRH-G00	ZB	ZA	ZC			F-21	13

XR150LEK (XR150LEKJ).....CL,PE

No.	MODEL		XR150LEKJ						Applicable block No.	Ref. No.
	COLOR		Fighting red	Black	Ross white	Applicable model				
	CODE		R-134	NH-1	NH-196					
	Name of colored parts	Basic part No.	R134	NH1	NH196	Initial applicable model	Final applicable model			
19	SHROUD SET, R. TANK	19100-KRH-G00	ZB	ZA	ZC			F-21	12	
20	STRIPE B, L. TANK SHROUD	86194-KRH-G00	ZB	ZA	ZC			F-50	24	
21	STRIPE B, R. TANK SHROUD	86193-KRH-G00	ZB	ZA	ZC			F-50	23	
22	STRIPE, L. FUEL TANK	86172-KRH-G00	ZC	ZB	ZA			F-50	20	
23	STRIPE A, L. TANK SHROUD	86192-KRH-G00	ZC	ZB	ZA			F-50	22	
24	STRIPE, R. FUEL TANK	86171-KRH-G00	ZC	ZB	ZA			F-50	19	
25	STRIPE A, R. TANK SHROUD	86191-KRH-G00	ZC	ZB	ZA			F-50	21	
26	SWINGARM SUB ASSY., RR.	52200-K79-E00	ZA	ZA	ZA			F-32	14	
27	TANK SET, FUEL	17505-KRH-G00	ZB	ZA	ZC			F-21	23	
28	VISOR SET, FR.	61300-K79-E00	ZB	ZA	ZB			F-1	11	
29	WHEEL SUB ASSY., RR.	42650-KRH-650	ZA	ZA	ZA			F-19-10	8	



XR150LEK (XR150LEKJ).....DK,SA

No.	MODEL		XR150LEKJ						
	COLOR		Fighting red	Black	Ross white	Applicable model		Applicable block No.	Ref. No.
	CODE		R-134	NH-1	NH-196				
	Name of colored parts	Basic part No.	R134	NH1	NH196	Initial applicable model	Final applicable model		
1	BODY COMP., FRAME	50100-KRH-A00	ZB	ZB	ZB			F-39	1
2	BRIDGE COMP., FORK TOP	53300-KRH-660	ZA	ZA	ZA			F-7	7
3	CARRIER COMP., RR.	81200-KRH-780	ZA	ZA	ZA			F-34	5
4	COVER SET, R. SIDE	83510-KRH-900	ZB	ZA	ZB			F-24	3
5	COVER, L. FR. SIDE	83601-KRH-900	ZA	ZA	ZA			F-24	7
6	COVER, L. SIDE	83600-KRH-900	ZB	ZA	ZB			F-24	6
7	COVER, R. FR. SIDE	83501-KRH-900	ZA	ZA	ZA			F-24	1
8	COWL SET, RR.	80100-KRH-900	ZB	ZA	ZB			F-34	4
9	FENDER, FR.	61100-KRH-660	ZA	ZC	ZB			F-10	1
10	HUB SUB ASSY., RR.	42635-KRH-650	ZA	ZA	ZA			F-19-10	7
11	LABEL, DRIVE CAUTION	87560-KYY-600	ZB	ZB	ZB			F-49	6
12	LABEL, RR. CARRIER	81220-KV8-860	ZA	ZA	ZA			F-49	1
13	MARK, FR.	61315-KRH-900	ZC	ZB	ZC			F-50	2
14	MARK, RR.	61310-KRH-900	ZC	ZB	ZC			F-50	1
15	PANEL COMP., RR. BRAKE	43100-KRH-900	ZA	ZA	ZA			F-18	2
16	PIPE, STEERING HANDLE	53100-KRH-900	ZA	ZA	ZA			F-7	5
17	PROTECTOR, EX. PIPE	18345-KRH-900	ZA	ZA	ZA			F-27	9
18	SEAT COMP., DOUBLE	77200-KRH-780	ZB	ZB	ZB			F-23	2

XR150LEK (XR150LEKJ).....DK,SA

No.	MODEL		XR150LEKJ						
	COLOR		Fighting red	Black	Ross white	Applicable model		Applicable block No.	Ref. No.
	CODE		R-134	NH-1	NH-196				
	Name of colored parts	Basic part No.	R134	NH1	NH196	Initial applicable model	Final applicable model		
19	SHROUD SET, L. TANK	19200-KRH-G00	ZB	ZA	ZC			F-21	13
20	SHROUD SET, R. TANK	19100-KRH-G00	ZB	ZA	ZC			F-21	12
21	STRIPE B, L. TANK SHROUD	86194-KRH-G00	ZB	ZA	ZC			F-50	24
22	STRIPE B, R. TANK SHROUD	86193-KRH-G00	ZB	ZA	ZC			F-50	23
23	STRIPE, L. FUEL TANK	86172-KRH-G00	ZC	ZB	ZA			F-50	20
24	STRIPE A, L. TANK SHROUD	86192-KRH-G00	ZC	ZB	ZA			F-50	22
25	STRIPE, R. FUEL TANK	86171-KRH-G00	ZC	ZB	ZA			F-50	19
26	STRIPE A, R. TANK SHROUD	86191-KRH-G00	ZC	ZB	ZA			F-50	21
27	SWINGARM SUB ASSY., RR.	52200-K79-E00	ZA	ZA	ZA			F-32	14
28	TANK SET, FUEL	17505-KRH-G00	ZB	ZA	ZC			F-21	23
29	VISOR SET, FR.	61300-K79-E00	ZB	ZA	ZB			F-1	11
30	WHEEL SUB ASSY., RR.	42650-KRH-650	ZA	ZA	ZA			F-19-10	8



XR150LEK (XR150LEKJ).....NZ

No.	MODEL		XR150LEKJ						
	COLOR		Fighting red	Black	Ross white	Applicable model		Applicable block No.	Ref. No.
	CODE		R-134	NH-1	NH-196				
	Name of colored parts	Basic part No.	R134	NH1	NH196	Initial applicable model	Final applicable model		
1	BODY COMP., FRAME	50100-KRH-A40	ZB	ZB	ZB			F-39	1
2	BRIDGE COMP., FORK TOP	53300-KRH-660	ZA	ZA	ZA			F-7	7
3	CARRIER COMP., RR.	81200-KRH-780	ZA	ZA	ZA			F-34	5
4	COVER SET, R. SIDE	83510-KRH-900	ZB	ZA	ZB			F-24	3
5	COVER, L. FR. SIDE	83601-KRH-900	ZA	ZA	ZA			F-24	7
6	COVER, L. SIDE	83600-KRH-900	ZB	ZA	ZB			F-24	6
7	COVER, R. FR. SIDE	83501-KRH-900	ZA	ZA	ZA			F-24	1
8	COWL SET, RR.	80100-KRH-900	ZB	ZA	ZB			F-34	4
9	FENDER, FR.	61100-KRH-660	ZA	ZC	ZB			F-10	1
10	HUB SUB ASSY., RR.	42635-KRH-650	ZA	ZA	ZA			F-19-10	7
11	LABEL, DRIVE CAUTION	87560-KYY-600	ZB	ZB	ZB			F-49	6
12	LABEL, RR. CARRIER	81220-KV8-860	ZA	ZA	ZA			F-49	1
13	MARK, FR.	61315-KRH-900	ZC	ZB	ZC			F-50	2
14	MARK, RR.	61310-KRH-900	ZC	ZB	ZC			F-50	1
15	PANEL COMP., RR. BRAKE	43100-KRH-900	ZA	ZA	ZA			F-18	2
16	PIPE, STEERING HANDLE	53100-KRH-900	ZA	ZA	ZA			F-7	5
17	PROTECTOR, EX. PIPE	18345-KRH-900	ZA	ZA	ZA			F-27	9
18	SEAT COMP., DOUBLE	77200-KRH-780	ZB	ZB	ZB			F-23	2

XR150LEK (XR150LEKJ).....NZ

No.	MODEL		XR150LEKJ						
	COLOR		Fighting red	Black	Ross white	Applicable model		Applicable block No.	Ref. No.
	CODE		R-134	NH-1	NH-196				
	Name of colored parts	Basic part No.	R134	NH1	NH196	Initial applicable model	Final applicable model		
19	SHROUD SET, L. TANK	19200-KRH-G00	ZB	ZA	ZC			F-21	13
20	SHROUD SET, R. TANK	19100-KRH-G00	ZB	ZA	ZC			F-21	12
21	STRIPE B, L. TANK SHROUD	86194-KRH-G00	ZB	ZA	ZC			F-50	24
22	STRIPE B, R. TANK SHROUD	86193-KRH-G00	ZB	ZA	ZC			F-50	23
23	STRIPE, L. FUEL TANK	86172-KRH-G00	ZC	ZB	ZA			F-50	20
24	STRIPE A, L. TANK SHROUD	86192-KRH-G00	ZC	ZB	ZA			F-50	22
25	STRIPE, R. FUEL TANK	86171-KRH-G00	ZC	ZB	ZA			F-50	19
26	STRIPE A, R. TANK SHROUD	86191-KRH-G00	ZC	ZB	ZA			F-50	21
27	SWINGARM SUB ASSY., RR.	52200-K79-E00	ZA	ZA	ZA			F-32	14
28	TANK SET, FUEL	17505-KRH-G00	ZB	ZA	ZC			F-21	23
29	VISOR SET, FR.	61300-K79-E00	ZB	ZA	ZB			F-1	11
30	WHEEL SUB ASSY., RR.	42650-KRH-650	ZA	ZA	ZA			F-19-10	8



Fuel hose, general purpose hoses and vinyl hose

- The standard part fuel hose, general purpose hose and vinyl hose may be substituted by the coiled bulk part.
- When ordering the standard part fuel hose, general purpose hose and vinyl hose use the bulk part number written in the parts catalogue in brackets () underneath the part name, or use the catalogue below.
(The bulk part standard length is 1 m, however, those displayed in the catalogue < > are available in 3 m and 8 m lengths.)
- When exchanging the hose, cut and use at the specified length as mentioned in the part name.
(For the method of cutting the bulk part, and method of filling out orders etc., please refer to the service manual and the instructions issued with the bulk part.)
- The list below is a catalogue of the standard part numbers and bulk part numbers. Note that those numbers are applicable to the listed replacement parts only.

Fuel hoses/Tubes			
Standard part No.	Bulk part No.	Bulk part	
		Inner diameter (mm)	Length (m)
95001-30xxx-2x	95001-30001-20M	3.0	1
95001-30xxx-3x	95001-30001-30M	3.0	1
95001-30xxx-4x	95001-30001-40M	3.0	1
95001-35xxx-2x	95001-35001-50M <95001-35003-50M>	3.5	1 3
95001-35xxx-3x	95001-35001-60M <95001-35003-60M>	3.5	1 3
95001-35xxx-4x	95001-35001-60M <95001-35003-60M>	3.5	1 3
95001-35xxx-5x	95001-35001-50M <95001-35003-50M>	3.5	1 3
95001-35xxx-6x	95001-35001-60M <95001-35003-60M>	3.5	1 3
95001-45xxx-2x	95001-45001-50M <95001-45003-50M>	4.5	1 3
95001-45xxx-3x	95001-45001-60M <95001-45003-60M> <95001-45008-60M>	4.5	1 3 8
95001-45xxx-4x	95001-45001-60M <95001-45003-60M> <95001-45008-60M>	4.5	1 3 8
95001-45xxx-5x	95001-45001-50M <95001-45003-50M>	4.5	1 3
95001-45xxx-6x	95001-45001-60M <95001-45003-60M> <95001-45008-60M>	4.5	1 3 8
95001-55xxx-2x	95001-55001-50M <95001-55003-50M> <95001-55008-50M>	5.5	1 3 8

Fuel hoses/Tubes			
Standard part No.	Bulk part No.	Bulk part	
		Inner diameter (mm)	Length (m)
95001-55xxx-3x	95001-55001-60M <95001-55003-60M> <95001-55008-60M>	5.5	1 3 8
95001-55xxx-4x	95001-55001-60M <95001-55003-60M> <95001-55008-60M>	5.5	1 3 8
95001-55xxx-5x	95001-55001-50M <95001-55003-50M> <95001-55008-50M>	5.5	1 3 8
95001-55xxx-6x	95001-55001-60M <95001-55003-60M> <95001-55008-60M>	5.5	1 3 8
95001-75xxx-2x	95001-75001-50M <95001-75003-50M>	7.5	1 3
95001-75xxx-3x	95001-75001-60M <95001-75003-60M> <95001-75008-60M>	7.5	1 3 8
95001-75xxx-4x	95001-75001-60M <95001-75003-60M> <95001-75008-60M>	7.5	1 3 8
95001-75xxx-5x	95001-75001-50M <95001-75003-50M>	7.5	1 3
95001-75xxx-6x	95001-75001-60M <95001-75003-60M> <95001-75008-60M>	7.5	1 3 8
95001-80xxx-2x	95001-80001-50M	8.0	1
95001-80xxx-3x	95001-80001-60M	8.0	1
95001-80xxx-4x	95001-80001-60M	8.0	1
95001-80xxx-5x	95001-80001-50M	8.0	1
95001-80xxx-6x	95001-80001-60M	8.0	1

Vinyl tube				
Standard part No.	Bulk part No.	Bulk part		
		Inner dia- meter (mm)	Outer dia-meter (mm)	Length (m)
95003-01xxx-3x	95003-01001-60M <95003-01003-60M>	2.9	6.8	1 3
95003-01xxx-60	95003-01001-60M <95003-01003-60M>	2.9	6.8	1 3
95003-03xxx-3x	95003-03001-60M <95003-03003-60M>	3.0	6.0	1 3
95003-03xxx-60	95003-03001-60M <95003-03003-60M>	3.0	6.0	1 3
95003-05xxx-3x	95003-05001-60M <95003-05003-60M> <95003-05008-60M>	3.5	6.5	1 3 8
95003-05xxx-60	95003-05001-60M <95003-05003-60M> <95003-05008-60M>	3.5	6.5	1 3 8
95003-07xxx-1x	95003-07001-10M <95003-07003-10M> <95003-07008-10M>	4.0	7.0	1 3 8
95003-07xxx-20	95003-07001-10M <95003-07003-10M> <95003-07008-10M>	4.0	7.0	1 3 8
95003-07xxx-3x	95003-07001-60M <95003-07003-60M> <95003-07008-60M>	4.0	7.0	1 3 8
95003-07xxx-60	95003-07001-60M <95003-07003-60M> <95003-07008-60M>	4.0	7.0	1 3 8
95003-07xxx-7x	95003-07001-70M <95003-07003-70M> <95003-07008-70M>	4.0	7.0	1 3 8
95003-08xxx-1x	95003-08001-10M <95003-08003-10M> <95003-08008-10M>	4.5	6.5	1 3 8
95003-09xxx-3x	95003-09001-60M <95003-09003-60M>	4.5	8.0	1 3
95003-09xxx-60	95003-09001-60M <95003-09003-60M>	4.5	8.0	1 3
95003-10xxx-1x	95003-10001-10M <95003-10003-10M>	5.0	8.0	1 3
95003-10xxx-20	95003-10001-10M <95003-10003-10M>	5.0	8.0	1 3
95003-10xxx-3x	95003-10001-60M <95003-10003-60M>	5.0	8.0	1 3
95003-10xxx-60	95003-10001-60M <95003-10003-60M>	5.0	8.0	1 3
95003-11xxx-3x	95003-11001-60M <95003-11003-60M> <95003-11008-60M>	5.0	9.0	1 3 8
95003-11xxx-60	95003-11001-60M <95003-11003-60M> <95003-11008-60M>	5.0	9.0	1 3 8
95003-12xxx-1x	95003-12001-10M <95003-12003-10M> <95003-12008-10M>	5.0	7.0	1 3 8
95003-12xxx-20	95003-12001-10M <95003-12003-10M> <95003-12008-10M>	5.0	7.0	1 3 8

Vinyl tube				
Standard part No.	Bulk part No.	Bulk part		
		Inner dia- meter (mm)	Outer dia-meter (mm)	Length (m)
95003-14xxx-1x	95003-14001-10M <95003-14003-10M>	6.0	9.0	1 3
95003-14xxx-20	95003-14001-10M <95003-14003-10M>	6.0	9.0	1 3
95003-14xxx-3x	95003-14001-60M <95003-14003-60M>	6.0	9.0	1 3
95003-17xxx-1x	95003-17001-10M <95003-17003-10M>	7.0	9.0	1 3
95003-19xxx-1x	95003-19001-10M <95003-19003-10M> <95003-19008-10M>	7.0	11.0	1 3 8
95003-19xxx-20	95003-19001-10M <95003-19003-10M> <95003-19008-10M>	7.0	11.0	1 3 8
95003-19xxx-3x	95003-19001-60M <95003-19003-60M> <95003-19008-60M>	7.0	11.0	1 3 8
95003-19xxx-60	95003-19001-60M <95003-19003-60M> <95003-19008-60M>	7.0	11.0	1 3 8
95003-21xxx-1x	95003-21001-10M <95003-21003-10M>	8.0	9.0	1 3
95003-21xxx-20	95003-21001-10M <95003-21003-10M>	8.0	9.0	1 3
95003-23xxx-1x	95003-23001-10M <95003-23003-10M>	8.0	12.0	1 3
95003-23xxx-20	95003-23001-10M <95003-23003-10M>	8.0	12.0	1 3
95003-23xxx-3x	95003-23001-60M <95003-23003-60M> <95003-23008-60M>	8.0	12.0	1 3 8
95003-23xxx-60	95003-23001-60M <95003-23003-60M> <95003-23008-60M>	8.0	12.0	1 3 8
95003-25xxx-1x	95003-25001-10M <95003-25003-10M>	9.0	11.0	1 3
95003-25xxx-20	95003-25001-10M <95003-25003-10M>	9.0	11.0	1 3
95003-25xxx-3x	95003-25001-60M <95003-25003-60M>	9.0	11.0	1 3
95003-25xxx-7x	95003-25001-70M <95003-25003-70M>	9.0	11.0	1 3
95003-27xxx-1x	95003-27001-10M <95003-27003-10M>	9.0	13.0	1 3
95003-27xxx-20	95003-27001-10M <95003-27003-10M>	9.0	13.0	1 3
95003-27xxx-3x	95003-27001-60M <95003-27003-60M>	9.0	13.0	1 3
95003-27xxx-60	95003-27001-60M <95003-27003-60M>	9.0	13.0	1 3
95003-33xxx-1x	95003-33001-10M <95003-33003-10M>	10.0	14.0	1 3
95003-33xxx-20	95003-33001-10M <95003-33003-10M>	10.0	14.0	1 3

Vinyl tube				
Standard part No.	Bulk part No.	Bulk part		
		Inner dia- meter (mm)	Outer dia-meter (mm)	Length (m)
95003-36xxx-1x	95003-36001-10M <95003-36003-10M> <95003-36008-10M>	11.0	13.0	1 3 8
95003-36xxx-20	95003-36001-10M <95003-36003-10M> <95003-36008-10M>	11.0	13.0	1 3 8
95003-37xxx-3x	95003-37001-60M <95003-37003-60M>	11.0	15.0	1 3
95003-37xxx-60	95003-37001-60M <95003-37003-60M>	11.0	15.0	1 3
95003-38xxx-1x	95003-38001-10M <95003-38003-10M>	12.0	13.0	1 3
95003-38xxx-20	95003-38001-10M <95003-38003-10M>	12.0	13.0	1 3
95003-39xxx-1x	95003-39001-10M <95003-39003-10M>	12.0	14.0	1 3
95003-39xxx-20	95003-39001-10M <95003-39003-10M>	12.0	14.0	1 3
95003-40xxx-20	95003-40001-10M <95003-40003-10M>	12.0	16.0	1 3
95003-40xxx-3x	95003-40001-60M <95003-40003-60M>	12.0	16.0	1 3
95003-40xxx-60	95003-40001-60M <95003-40003-60M>	12.0	16.0	1 3
95003-43xxx-1x	95003-43001-10M <95003-43003-10M> <95003-43008-10M>	13.0	15.0	1 3 8
95003-43xxx-20	95003-43001-10M <95003-43003-10M> <95003-43008-10M>	13.0	15.0	1 3 8
95003-45xxx-1x	95003-45001-10M <95003-45003-10M> <95003-45008-10M>	14.0	18.0	1 3 8
95003-45xxx-20	95003-45001-10M <95003-45003-10M> <95003-45008-10M>	14.0	18.0	1 3 8
95003-50xxx-1x	95003-50001-10M <95003-50003-10M>	16.0	19.0	1 3
95003-50xxx-20	95003-50001-10M <95003-50003-10M>	16.0	19.0	1 3
95003-50xxx-3x	95003-50001-60M <95003-50003-60M>	16.0	19.0	1 3
95003-55xxx-1x	95003-55001-10M <95003-55003-10M>	17.5	20.5	1 3
95003-55xxx-20	95003-55001-10M <95003-55003-10M>	17.5	20.5	1 3
95003-60xxx-1x	95003-60001-10M <95003-60003-10M>	22.0	27.0	1 3
95003-60xxx-20	95003-60001-10M <95003-60003-10M>	22.0	27.0	1 3
95003-60xxx-3x	95003-60001-60M <95003-60003-60M>	22.0	27.0	1 3
95003-60xxx-60	95003-60001-60M <95003-60003-60M>	22.0	27.0	1 3

General purpose hoses			
Standard part No.	Bulk part No.	Bulk part	
		Inner diameter (mm)	Length (m)
95005-11xxx-3x	95005-11001-30M	11.0	1
95005-11xxx-5x	95005-11001-50M	11.0	1
95005-12xxx-1x	95005-12001-10M <95005-12003-10M>	12.0	1 3
95005-12xxx-2x	95005-12001-20M	12.0	1
95005-12xxx-3x	95005-12001-30M	12.0	1
95005-12xxx-5x	95005-12001-50M	12.0	1
95005-14xxx-1x	95005-14001-10M	14.0	1
95005-14xxx-2x	95005-14001-20M <95005-14003-20M>	14.0	1 3
95005-14xxx-3x	95005-14001-30M	14.0	1
95005-14xxx-5x	95005-14001-50M	14.0	1
95005-17xxx-1x	95005-17001-10M	17.0	1
95005-17xxx-2x	95005-17001-20M	17.0	1
95005-17xxx-3x	95005-17001-30M	17.0	1
95005-17xxx-5x	95005-17001-50M	17.0	1
95005-30xxx-3x	95005-30001-30M	3.0	1
95005-30xxx-5x	95005-30001-50M	3.0	1
95005-35xxx-1x	95005-35001-10M <95005-35003-10M> <95005-35008-10M>	3.5	1 3 8
95005-35xxx-2x	95005-35001-20M	3.5	1
95005-35xxx-3x	95005-35001-30M	3.5	1
95005-35xxx-4x	95005-35001-10M <95005-35003-10M> <95005-35008-10M>	3.5	1 3 8
95005-35xxx-5x	95005-35001-50M	3.5	1
95005-45xxx-1x	95005-45001-10M <95005-45003-10M> <95005-45008-10M>	4.5	1 3 8
95005-45xxx-2x	95005-45001-20M	4.5	1
95005-45xxx-3x	95005-45001-30M	4.5	1

General purpose hoses			
Standard part No.	Bulk part No.	Bulk part	
		Inner diameter (mm)	Length (m)
95005-45xxx-4x	95005-45001-10M <95005-45003-10M> <95005-45008-10M>	4.5	1 3 8
95005-45xxx-5x	95005-45001-50M	4.5	1
95005-50xxx-3x	95005-50001-30M <95005-50003-30M>	5.0	1 3
95005-50xxx-5x	95005-50001-50M	5.0	1
95005-55xxx-1x	95005-55001-10M <95005-55003-10M> <95005-55008-10M>	5.3	1 3 8
95005-55xxx-2x	95005-55001-20M <95005-55003-20M>	5.3	1 3
95005-55xxx-4x	95005-55001-10M <95005-55003-10M> <95005-55008-10M>	5.3	1 3 8
95005-65xxx-1x	95005-65001-10M <95005-65003-10M>	6.5	1 3
95005-65xxx-2x	95005-65001-20M	6.5	1
95005-70xxx-3x	95005-70001-30M <95005-70003-30M>	7.0	1 3
95005-70xxx-5x	95005-70001-50M	7.0	1
95005-75xxx-1x	95005-75001-10M <95005-75003-10M>	7.3	1 3
95005-75xxx-2x	95005-75001-20M	7.3	1
95005-80xxx-1x	95005-80001-10M <95005-80003-10M>	8.0	1 3
95005-80xxx-2x	95005-80001-20M	8.0	1
95005-80xxx-3x	95005-80001-30M	8.0	1
95005-80xxx-5x	95005-80001-50M	8.0	1
95005-91xxx-3x	95005-91001-30M	12.0	1
95005-91xxx-5x	95005-91001-50M	12.0	1
95005-92xxx-3x	95005-92001-30M	12.0	1
95005-92xxx-5x	95005-92001-50M	12.0	1

NOTE: X is displayed to represent the omitted numerals and letters of the roman alphabet.

⊙ **CAUTION: It is DANGEROUS to confuse the fuel hose with the general purpose hose or vinyl hose.**

Never use a general purpose hose or vinyl hose in place of a fuel hose or vice versa. Always use the correct bulk part in the parts catalogue, according to the service manual or the instructions issued with the bulk part.

• Bulk part number of fuel hose, general purpose hose and vinyl hose.

(Example)

95001-75001-50M

Bulk part number: Refers to the bulk part.

Marking code (hose type): (fuel hose and general purpose hose)

Change code (for added hose): (Vinyl hose)

- Indicates number mark or change sequence, however, the code for the bulk part must be strictly 0 (zero).

Types of code:

- Fuel hose
 - 2: Red outside braid (3 mm inside dia. only)
 - 5: Black inside braid
 - 3: Red (3 mm inside dia. only)
 - 4: Ash gray with red stripe (3 mm inside dia. only)
 - 6: Black
- Vinyl hose
 - 1: Clear
 - 2: Black
 - 3: Light red
 - 6: Light red
 - 7: Pale black
- General hose
 - 1: Ash gray
 - 2: Ash gray
 - 3: Black
 - 5: Black

Lengths: 001: 1 m (standard)
003: 3 m
008: 8 m

I.D code: (fuel hose and general purpose hose)

- 30: 3.0 mm
- 35: 3.5 mm
- 45: 4.5 mm
- 50: 5.0 mm
- 55: 5.3 mm, 5.5 mm
- 65: 6.5 mm
- 70: 7.0 mm
- 75: 7.3 mm, 7.5 mm
- 80: 8.0 mm
- 11: 11 mm
- 91: 12 mm (outside dia. 15) mm
- 92: 12 mm (outside dia. 16) mm
- 12: 12 mm (outside dia. 17) mm
- 14: 14 mm
- 17: 17 mm

ID./OD. code: (vinyl hose)

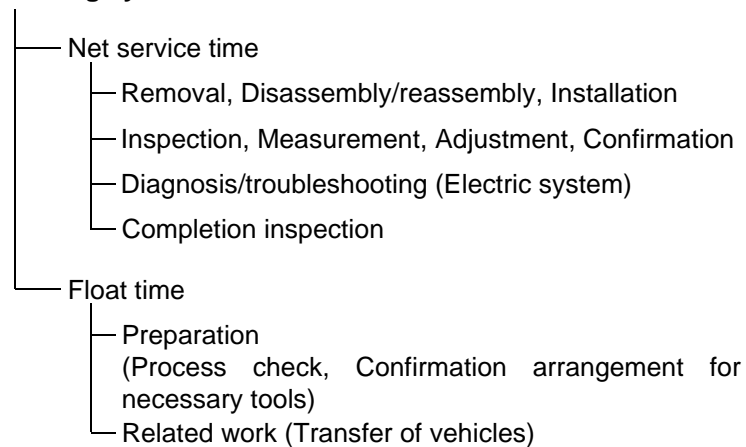
- 01: ID. 2.9, OD. 6.8 mm
- 03: ID. 3.0, OD. 6.0 mm
- 05: ID. 3.5, OD. 6.5 mm
- 07: ID. 4.0, OD. 7.0 mm
- 08: ID. 4.5, OD. 6.5 mm
- 09: ID. 4.5, OD. 8.0 mm
- 12: ID. 5.0, OD. 7.0 mm
- 10: ID. 5.0, OD. 8.0 mm
- 11: ID. 5.0, OD. 9.0 mm
- 14: ID. 6.0, OD. 9.0 mm
- 17: ID. 7.0, OD. 9.0 mm
- 19: ID. 7.0, OD. 11.0 mm
- 21: ID. 8.0, OD. 9.0 mm
- 23: ID. 8.0, OD. 12.0 mm
- 25: ID. 9.0, OD. 11.0 mm
- 27: ID. 9.0, OD. 13.0 mm
- 33: ID. 10.0, OD. 14.0 mm
- 36: ID. 11.0, OD. 13.0 mm
- 37: ID. 11.0, OD. 15.0 mm
- 38: ID. 12.0, OD. 13.0 mm
- 39: ID. 12.0, OD. 14.0 mm
- 40: ID. 12.0, OD. 16.0 mm
- 43: ID. 13.0, OD. 15.0 mm
- 45: ID. 14.0, OD. 18.0 mm
- 50: ID. 16.0, OD. 19.0 mm
- 55: ID. 17.5, OD. 20.5 mm
- 60: ID. 22.0, OD. 27.0 mm

Hose type: 1: Fuel hose
3: Vinyl hose
5: General hose

FLAT RATE SERVICE TIME

Flat rate service time (FRT) means the standard time required to service a MC, which is listed in this manual to help the dealers control the actual working process and calculate the service charge by using it as a guide.

FRT setting system



* Float time is set by multiplying the net service time by a given coefficient.

Editorial style

The service items shown in the text are listed with the exchange work time for the repair sales parts as the subject. Other representative service items not using repair parts (removal/installation, adjustment, inspection/measuring, and other work) are listed collectively in the list in the preface, classified according to the work.

FRT setting standard

- Decimal system (in unit of 0.1) is adopted to set FRT as it is convenient to calculate the wage.
Example: (0.1) → 6 minutes, (0.2) → 12 minutes
[Labor cost per hour] x [FRT] = [Wage]
- FRT is set with a hand tool.
- Service items and FRT can be subject to change depending on development of tools and service equipment and improvement in service procedure.

Work procedure

- As the work procedure is set with the work time according to the method in the separate Service Manual, refer to this Manual as required.
- Work methods permitting servicing in the shortest time still permitting assurance of safe work and product warranty are used for the setting of service items not listed in the Service Manual.
- Work basically is to be performed by one person, and when two or more people are required, setting is done as the total time for the number of people.
- The set value for the technological level of the workers uses a person with three years of experience in the repair of Honda vehicles as the standard.
- Special tools and service equipment used to set FRT are those specified or recommended in Service Manual.

Service item whose FRT is not presented

- Accessories and service parts that are not listed to use in this manual.
- Locations with little aging deterioration or breakage during normal use.
- Service work that can be finished by one touch.
- Service work that is seldom done (i.e. extremely small causes of trouble and service frequency).

* When FRT is not presented, please calculate wages based on appropriate actual work time

Operation not included of FRT

- Oil and coolant water draining, Waiting time for warming up operation and etc..
- Additional operation that involves removal/installation of standard exterior equipment.
- Indirect time spent for service by visiting the customer, trade-in, and delivery of a MC.
- Indirect time required for ordering and delivery of parts.
- Cost for grease, adhesive agent, etc. used for service work.

Explanation of FRT by using an example
(The example may differ from the actual presented items)

Ref. No.	L.O.N.	(Relative ref. Number) Description	F.R.T.
②	111118	(1, 3, 4, 7) CAMSHAFT 4.5	②
③	111118A	⑥ • Includes: Valve clearance adjustment Replace rocker arm add 1.0	⑤

- ① Reference No. of the illustration of part that shows location of the replacement work.
- ② FRT is an abbreviation of Flat Rate Time indicating the standard service time required for the replacement.
- ③ LON is an abbreviation of Labor Operation Number, and it is a classification of the service items by the work unit code.

The same operation code is used regardless of the models.

Standard operation is indicated with 6 digits code, and additional operation is indicated with 7 digits code.

- ④ Indicating the camshaft replacement and FRT4.5.
- ⑤ Indicating FRT1.0 that will be added when additional operation (replace rocker arm) is done in association with camshaft replacement.

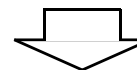
⑥ Indicating work contents that are included in the service item.

⑦ Indicating a reference No. whose operation and time are the same as FRT4.5 for the camshaft.

(The application range is limited to the service items without an LON setting within a same block.)

How to refer to the service item by using the sample
(camshaft replacement)

Open to the page of the block where the camshaft's spare part illustration is shown.



Look for the camshaft illustration, and refer to the service item and FRT that agree with the reference No.

Indication mark for the listing of service items that continues to the following page

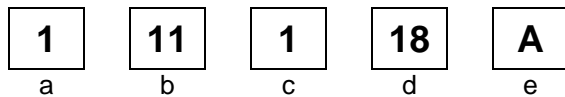
Ref. No.	L.O.N.	(Relative ref. Number) Description	F.R.T.
2	111118	CAMSHAFT	4.5
	.	.	.
	.	.	.

+
Mark indicated at the last line.

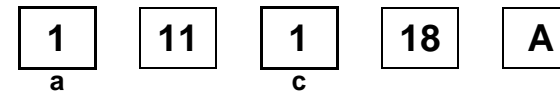
Indication of the block with no setting of FRT

Ref. No.	L.O.N.	(Relative ref. Number) Description	F.R.T.
NO INFORMATION			

• LON code system



- a) Category code..... Engine
- b) Location/function code Engine upper
- c) Operation code..... Replace
- d) Operation sequence number (Unit code can be shown with alphabet) camshaft (No regular rule of code)
- e) Additional code replace rocker arm (No regular rule of code)



a) Category codes and classification

Code	Category
1	Engine
2	Transmission
3	Fuel & Exhaust
4	Frame & Body
5	Steering/Suspension
6	Electrical
7	Wheels/Brakes
8	Controls/instrument
9	-
0	-

c) Operation codes and classification

Code	Operation category
1	Replace, Removal/Installation, Change
2	Overhaul
3	Adjust, Balance
4	(Paint-related work: Top-coat)
5	Test, Inspect/diagnose, Measurement, Check
6	(Overhaul-related work: Rebore)
7	(Overhaul-related work: Reseal)
8	(Resurface)
9	(Paint-related work: Refinish)
0	Repair, Cleaning, Air bleeding

Major service items without using spare parts
Removal/Installation, Adjustment, Inspection/Measurement, Overhaul, Other work

[E: Engine, F: Frame]

* OPERATIONS OTHER THAN REPLACING PARTS

• Removal/installation

Set for the configuration with the parts removed from the vehicle.

	LON	DESCRIPTION	FRT
E	1101E5	TILTING ENGINE ASSEMBLY-REMOVAL/INSTALLATION INCLUDES: All necessary adjustment	1.8
	3111D6	CARBURETOR ASSEMBLY-REMOVAL/INSTALLATION	0.5
	1101E6	CRANKCASE SEPARATION INCLUDES: Engine removal and installation	3.6

• Adjustment

	LON	DESCRIPTION	FRT
E	3113A0	CARBURETOR IDLE-ADJUSTMENT	0.1
	2123A0	CLUTCH-ADJUSTMENT INCLUDES: Clutch lever adjustment	0.1
	6143A1	SPARK PLUG-ADJUSTMENT/CLEANING	0.1
	1113A0	VALVE CLEARANCE-ADJUSTMENT NOTE: For 1 vehicle	0.4
F	6163A0	HEADLIGHT-AIMING	0.1
	2133A0	DRIVE CHAIN-ADJUSTMENT	0.1
	7113A0	FRONT BRAKE-ADJUSTMENT EXCLUDES: Front brake shoe adjustment	0.1
	7113A1	REAR BRAKE-ADJUSTMENT EXCLUDES: Rear brake shoe adjustment	0.1
	3113A3	THROTTLE OPERATION-ADJUSTMENT	0.1

• Inspection/Measurement

	LON	DESCRIPTION	FRT
E	1115A0	COMPRESSION PRESSURE-MEASUREMENT	0.1
	3115A0	CARBURETOR FLOAT LEVEL-MEASUREMENT	0.5
	6145A0	IGNITION TIMING-INSPECTION	0.2
F	6105A0	BATTERY-CHARGE INCLUDES: In case of open type battery, checking electrolyte level and charge.	0.2

• Overhaul

Work condition: The required Measurements, inspections, adjustments, and cleaning/washing of each part are performed, including the main body removal/installation work and the replacement of defective parts.

	LON	DESCRIPTION	FRT
E	311200	CARBURETOR-OVERHAUL INCLUDES: All necessary adjustment	0.7

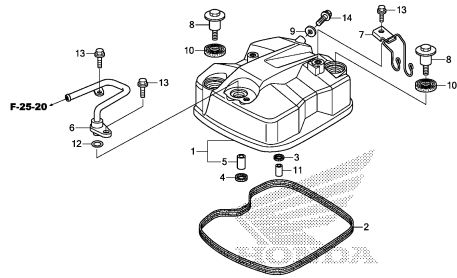
• Other work

	LON	DESCRIPTION	FRT
E	1130A1	OIL FILTER SCREEN-CLEANING	0.6
F	7110A0	FRONT BRAKE-AIR BLEEDING	0.2

ENGINE GROUP

E-1

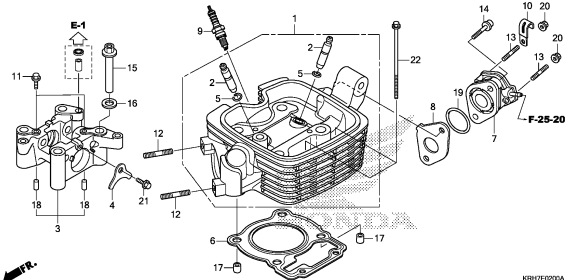
CYLINDER HEAD COVER



KH17E0100

E-2

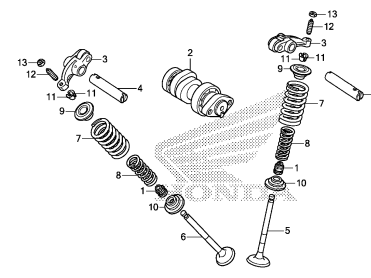
CYLINDER HEAD



KH17E0200A

E-3

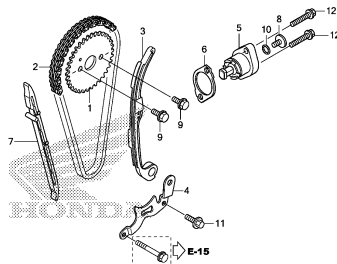
CAMSHAFT/VALVE



KH17E0300

E-4

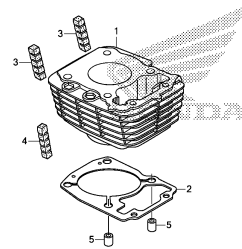
CAM CHAIN/TENSIONER



KH17E0400

E-5

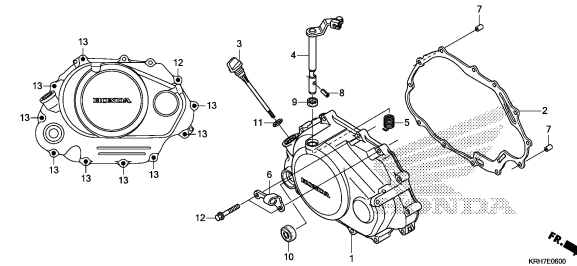
CYLINDER



KH17E0500

E-6

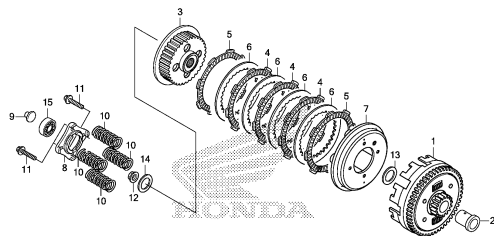
RIGHT CRANKCASE COVER



KH17E0600

E-8

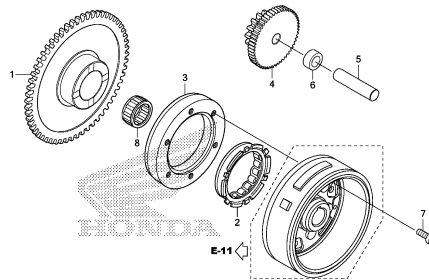
CLUTCH



KH17E0800

E-9

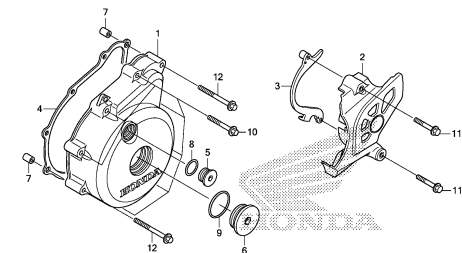
STARTING CLUTCH



KH17E0900

E-10

LEFT CRANKCASE COVER



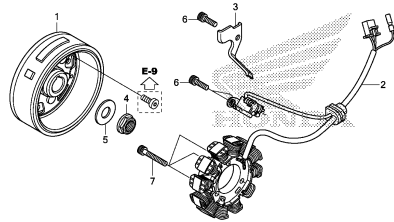
KH17E1000

2

ENGINE GROUP

E-11

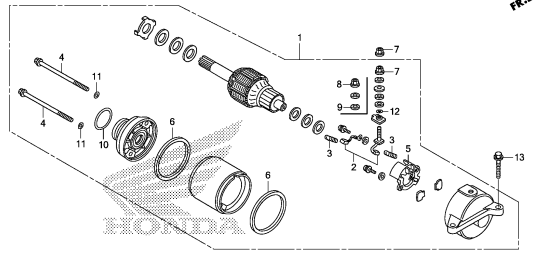
GENERATOR



KRHFZE1100

E-13

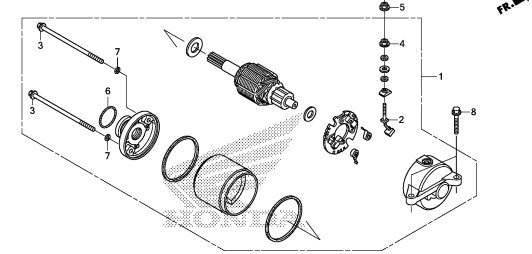
STARTER MOTOR(1)



KRHFZE1300

E-13-1

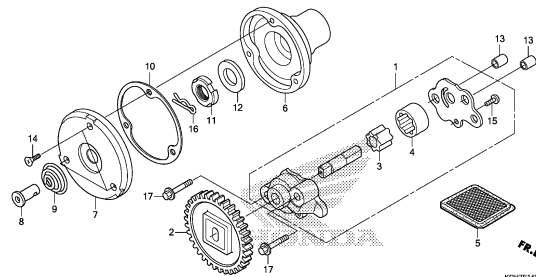
STARTER MOTOR(2)



KRHFZE1301

E-14

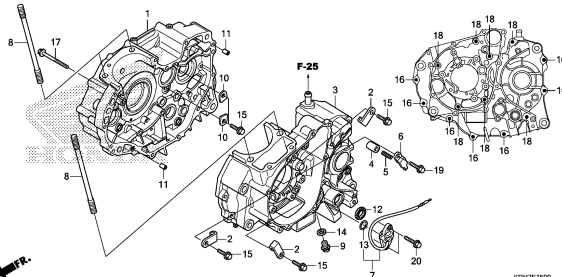
OIL PUMP



KRHFZE1400

E-15

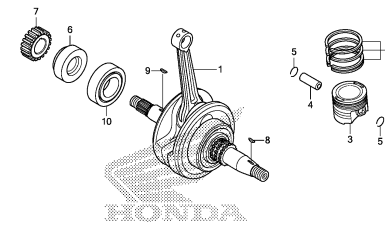
CRANKCASE



KRHFZE1500

E-16

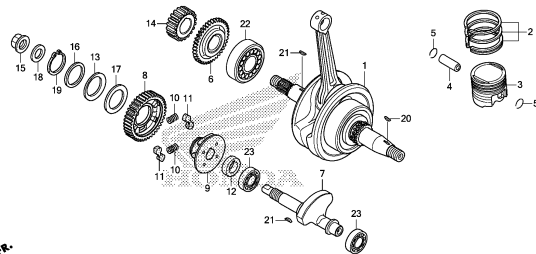
CRANKSHAFT/PISTON(XR/XL125LEK)



KRHFZE1600

E-16-1

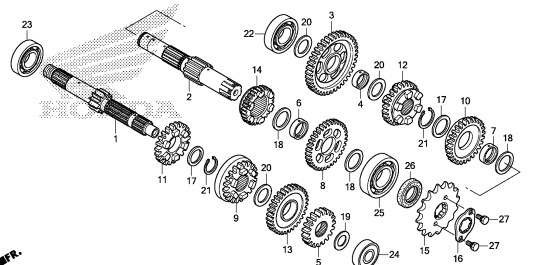
CRANKSHAFT/PISTON(XR150LEK)



KRHFZE1601

E-17

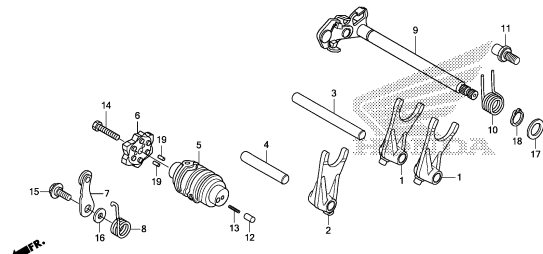
TRANSMISSION



KRHFZE1700

E-19

GEARSHIFT DRUM

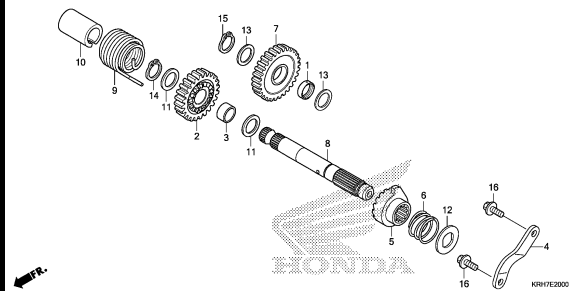


KRHFZE1900

ENGINE GROUP

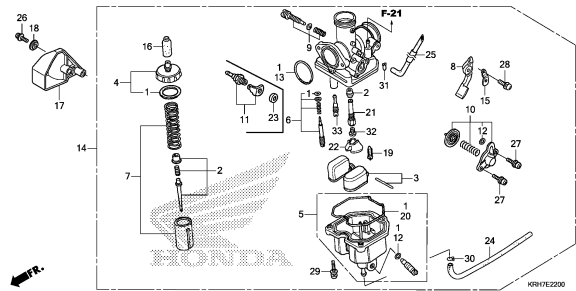
E-20

KICK STARTER SPINDLE



E-22

CARBURETOR

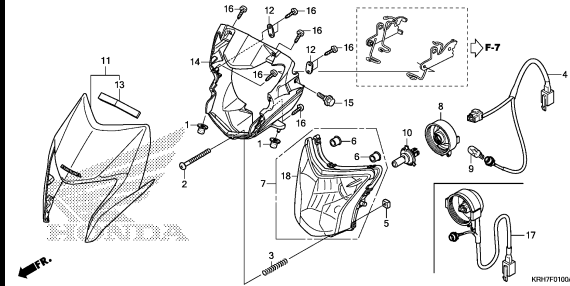


2

FRAME GROUP

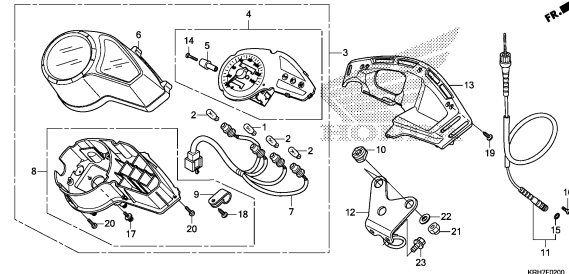
F-1

HEADLIGHT



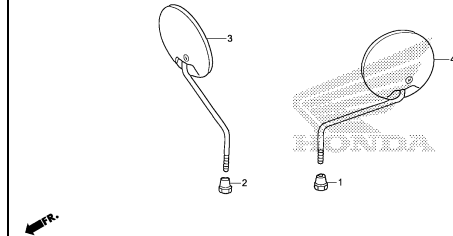
F-2

METER



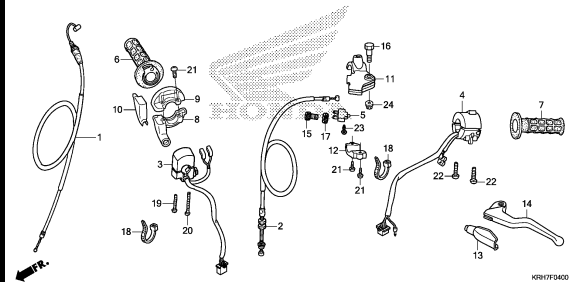
F-3

MIRROR



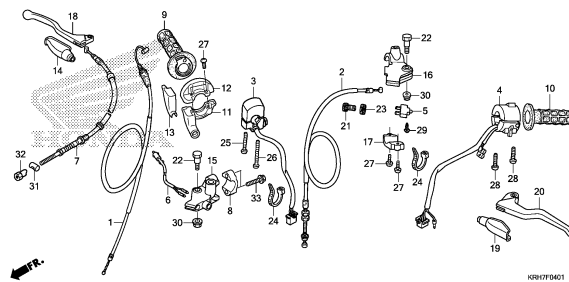
F-4

HANDLE LEVER/SWITCH/CABLE(DISK BRAKE)



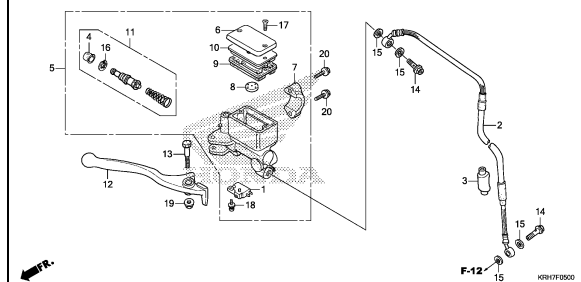
F-4-1

HANDLE LEVER/SWITCH/CABLE(DRUM BRAKE)



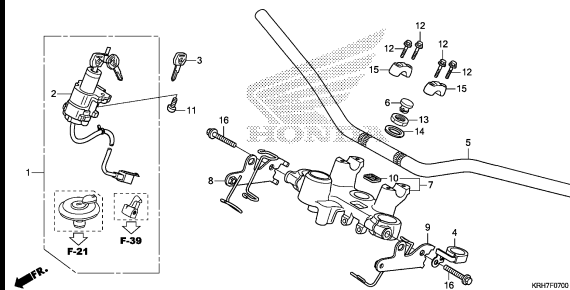
F-5

FRONT BRAKE MASTER CYLINDER



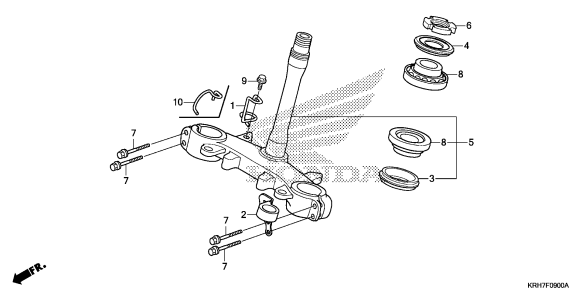
F-7

HANDLE PIPE/TOP BRIDGE



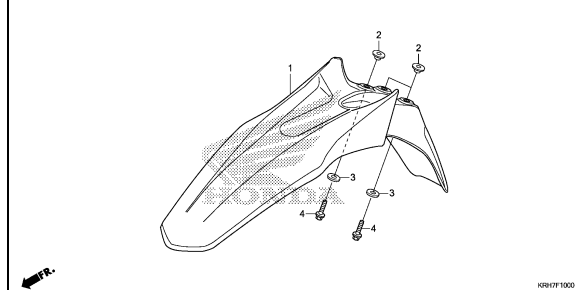
F-9

STEERING STEM



F-10

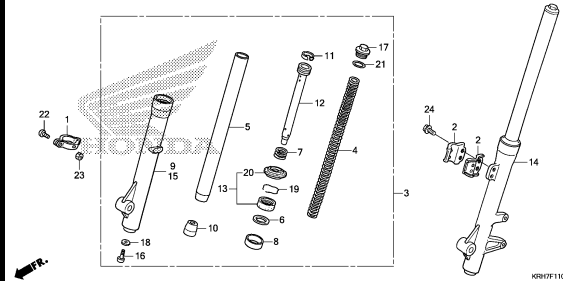
FRONT FENDER



FRAME GROUP

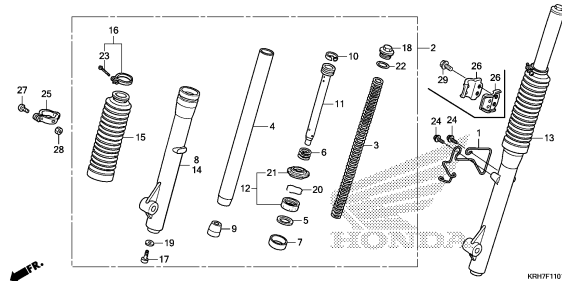
F-11

FRONT FORK(1)



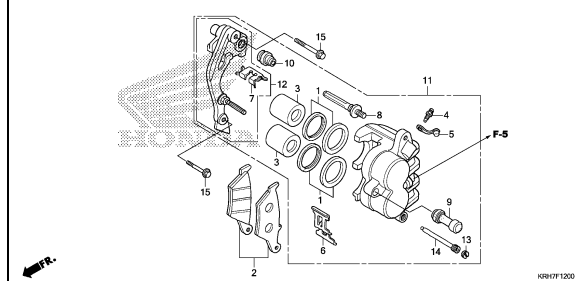
F-11-1

FRONT FORK(2)



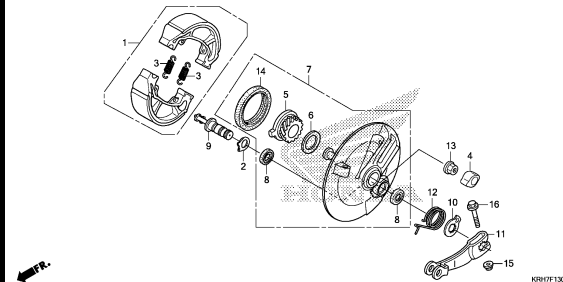
F-12

FRONT BRAKE CALIPER



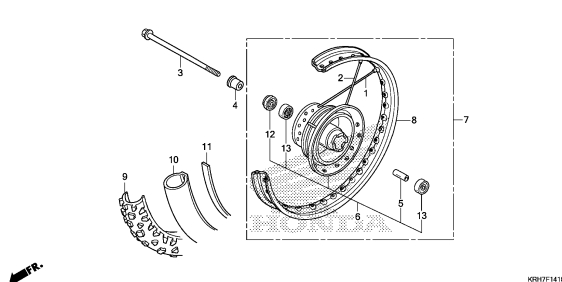
F-13

FRONT BRAKE PANEL



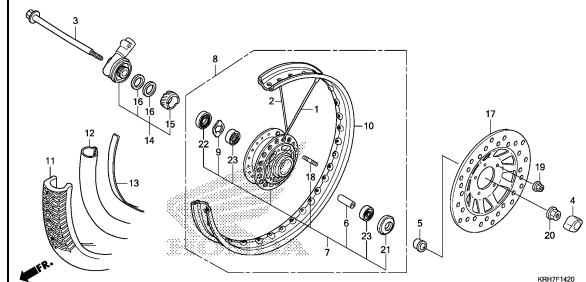
F-14-10

FRONT WHEEL(XL125LEK)



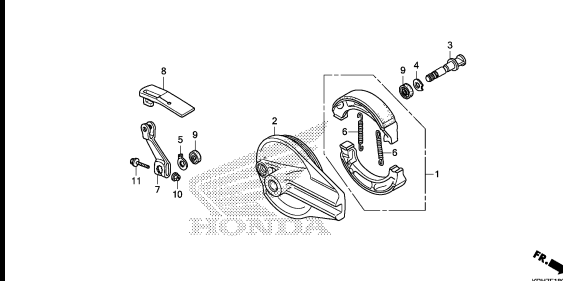
F-14-20

FRONT WHEEL(XR125LEK/XR150LEK)



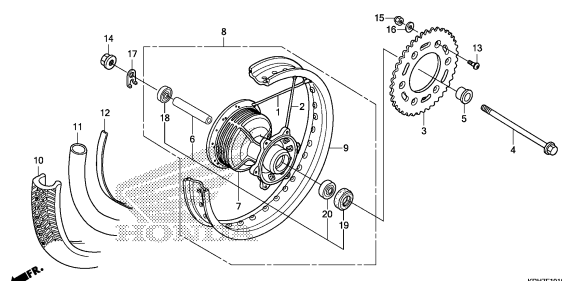
F-18

REAR BRAKE PANEL



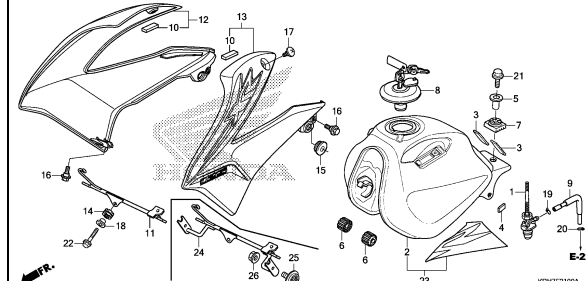
F-19-10

REAR WHEEL



F-21

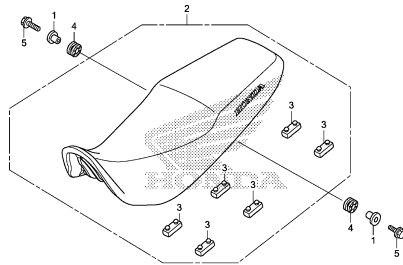
FUEL TANK



FRAME GROUP

F-23

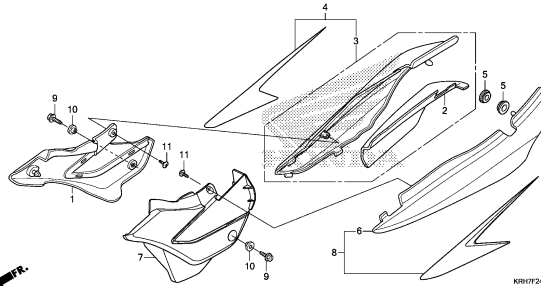
SEAT



KH07F2300

F-24

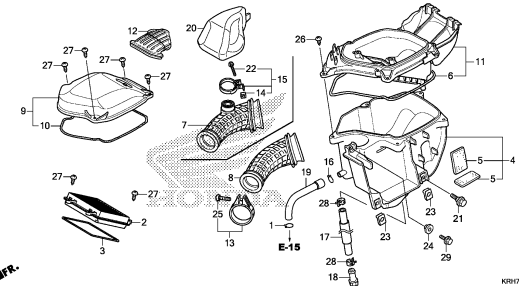
SIDE COVER



KH07F2400

F-25

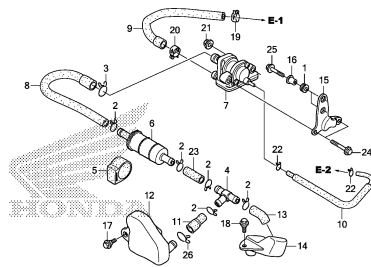
AIR CLEANER



KH07F2500

F-25-20

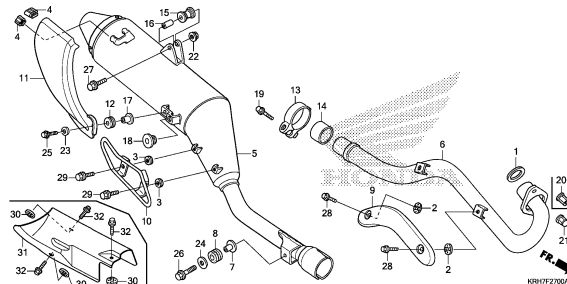
AIR SUCTION VALVE



KH07F2520

F-27

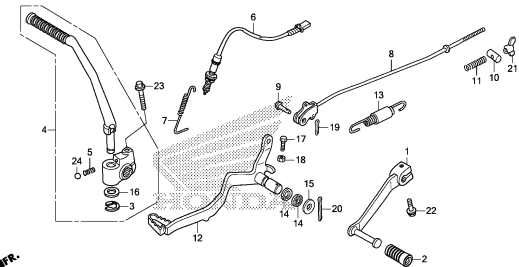
EXHAUST MUFFLER



KH07F2700A

F-29

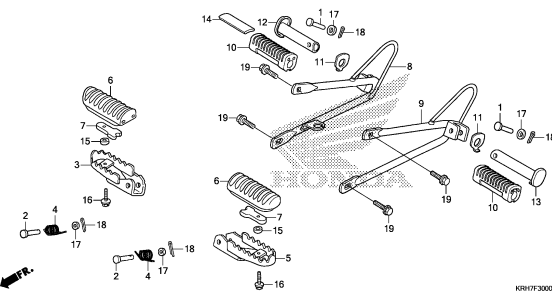
PEDAL



KH07F2900

F-30

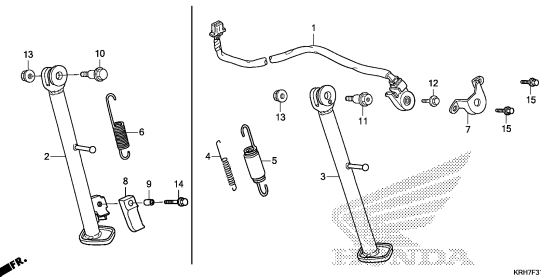
STEP



KH07F3000

F-31

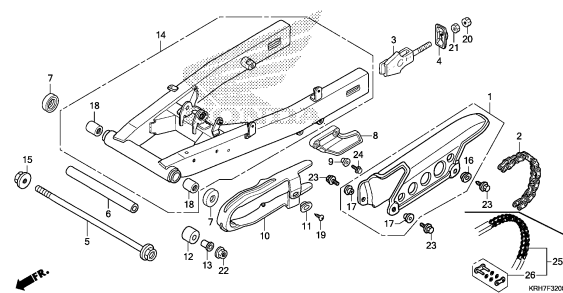
STAND



KH07F3100

F-32

SWINGARM

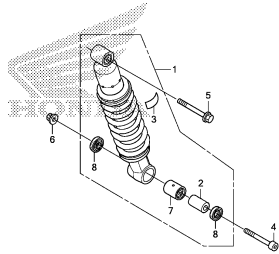


KH07F3200A

FRAME GROUP

F-33

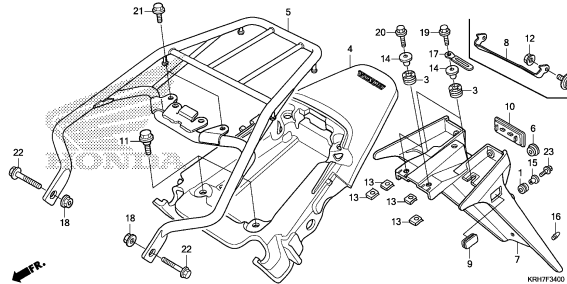
REAR CUSHION



KR1073300

F-34

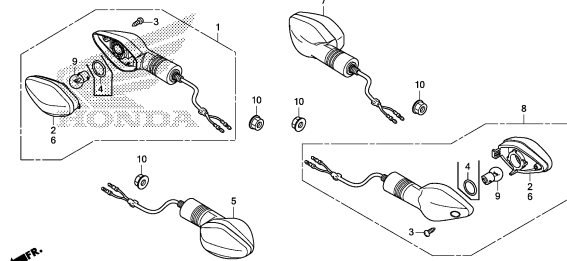
REAR FENDER



KR1073400

F-35

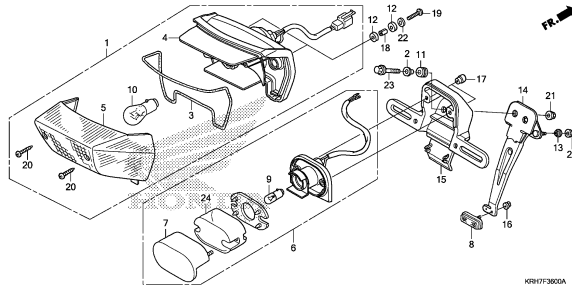
WINKER



KR1073500A

F-36

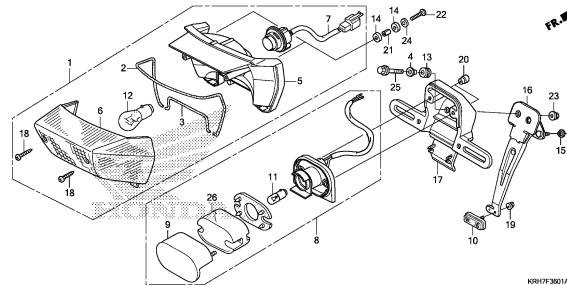
TAILLIGHT(EXCEPT XR150LEK-CO)



KR1073600A

F-36-1

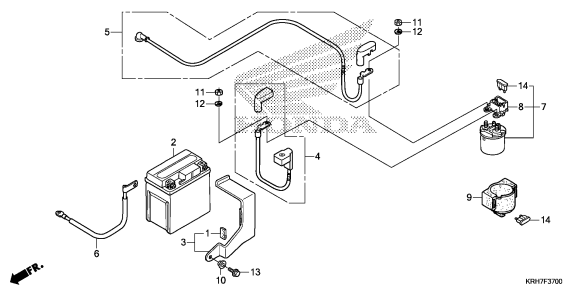
TAILLIGHT(XR150LEK-CO)



KR1073601A

F-37

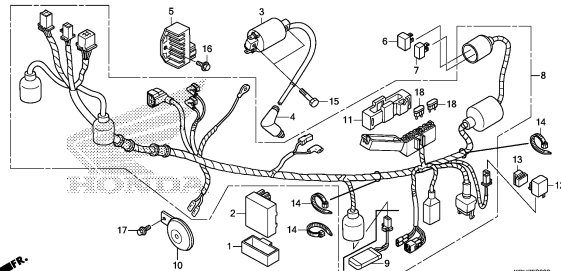
BATTERY



KR1073700

F-38

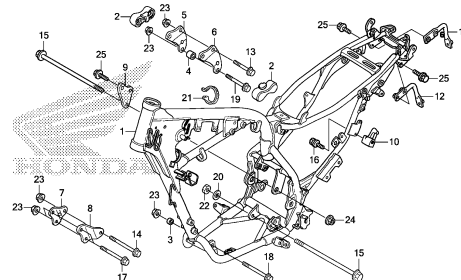
WIRE HARNESS



KR1073800

F-39

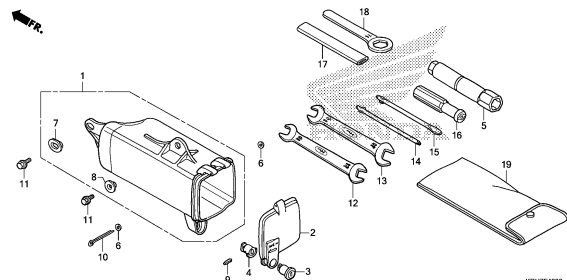
FRAME BODY



KR1073900

F-48

TOOLS

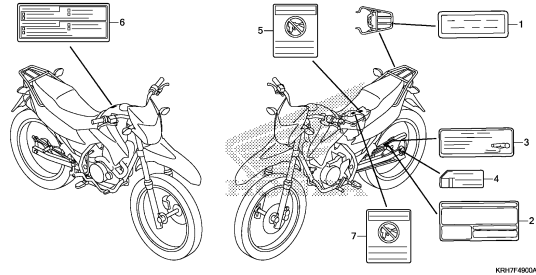


KR1074800

FRAME GROUP

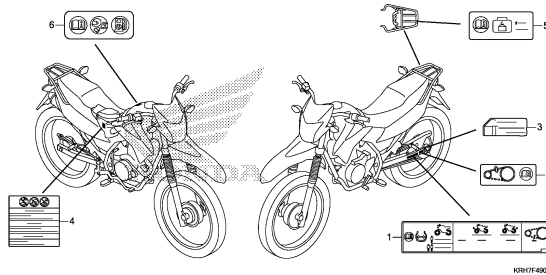
F-49

CAUTION LABEL(XR125LEK/XR150LEK)



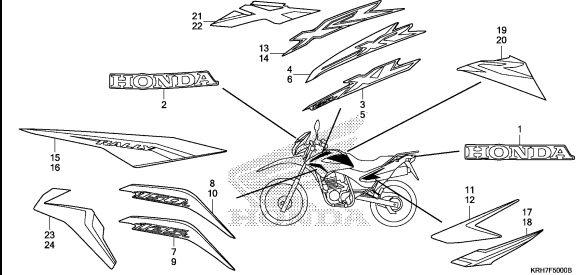
F-49-1

CAUTION LABEL(XL125LEK)



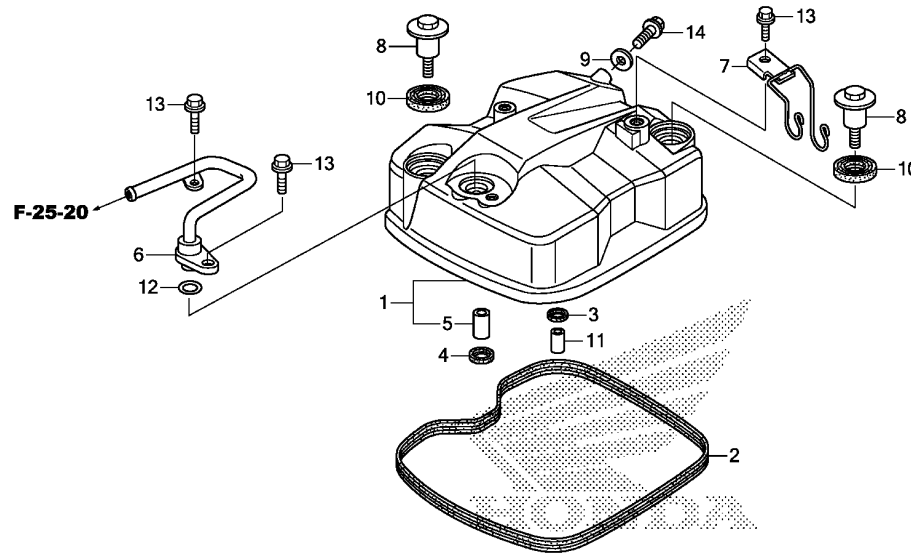
F-50

MARK/STRIPE



E-1

CYLINDER HEAD COVER



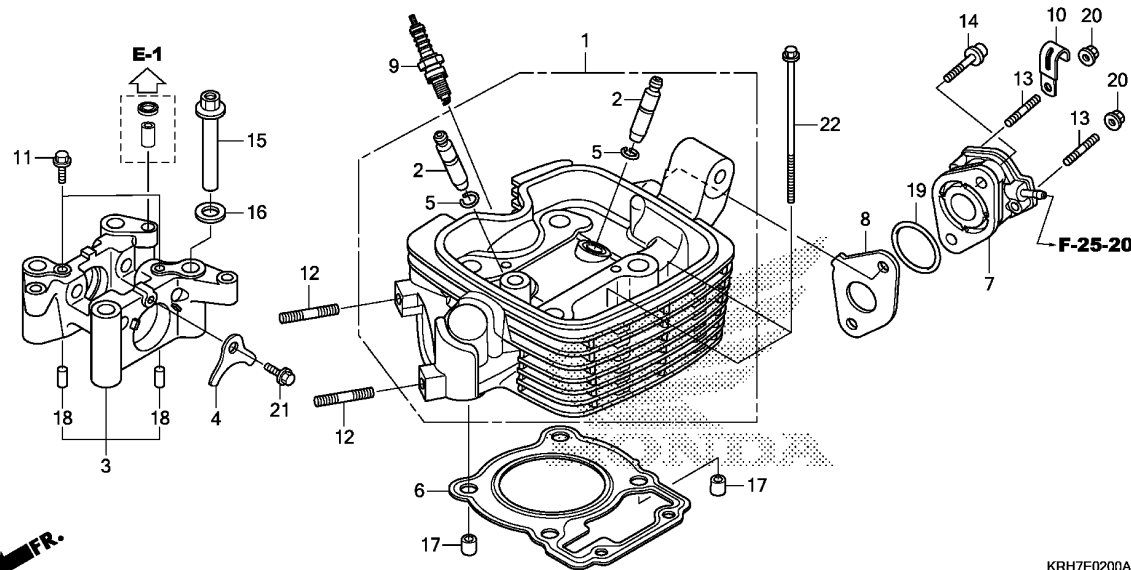
KRH7E0100

Ref. No.	L.O.N.	(Relative ref. Number) Description	F.R.T.
1	1111C4	COVER, CYLINDER HEAD	0.3
2	1111D2	GASKET, CYLINDER HEAD COVER ..	0.3
6	3111D1	PIPE, SECONDARY AIR	0.3

Ref. No.	Part No.	Description	Reqd. QTY						Serial No.	Parts catalogue code
			XR 125 LEK E	XR 125 LEK J	XL 125 LEK E	XR 150 LEK E	XR 150 LEK H	XR 150 LEK J		
1	12310-KWK-901	COVER COMP., CYLINDER HEAD ..	1	1	1	1	1	1		
2	12391-KRM-840	GASKET, HEAD COVER	1	1	1	1	1	1		
3	12396-KRM-840	GASKET B, HEAD COVER	1	1	1	1	1	1		
4	12397-KWG-601	GASKET C, HEAD COVER	1	1	1	1	1	1		
	12397-KYE-901	GASKET C, HEAD COVER(ARAI) ..	1	1	1	1	1	1		
5	12398-KWK-900	COLLAR, 10MM	1	1	1	1	1	1		
6	18640-KRH-A00	PIPE COMP., AIR FEED	1	1	1	1	1	1		
7	18700-KWK-900	GUIDE COMP., AIR SUCTION VALVE TUBE	1	1	1	1	1	1		
8	90003-KFG-000	BOLT, L. CRANKCASE COVER	2	2	2	2	2	2		
9	90463-KRM-840	WASHER, SEALING, 6.2X12X1.2 ..	1	1	1	1	1	1		
10	90543-MV9-670	RUBBER, MOUNTING	2	2	2	2	2	2		
11	90702-KRM-840	DOWEL PIN, 8X14	1	1	1	1	1	1		
12	91309-KVX-A00	O-RING, 9.8X2.8	1	1	1	1	1	1		
	91309-MJO-003	O-RING, 9.8X2.8(ARAI)	1	1	1	1	1	1		
13	95701-06016-00	BOLT, FLANGE, 6X16	3	3	3	3	3	3		
14	96001-06012-00	BOLT, FLANGE, 6X12	1	1	1	1	1	1		

E-2

CYLINDER HEAD



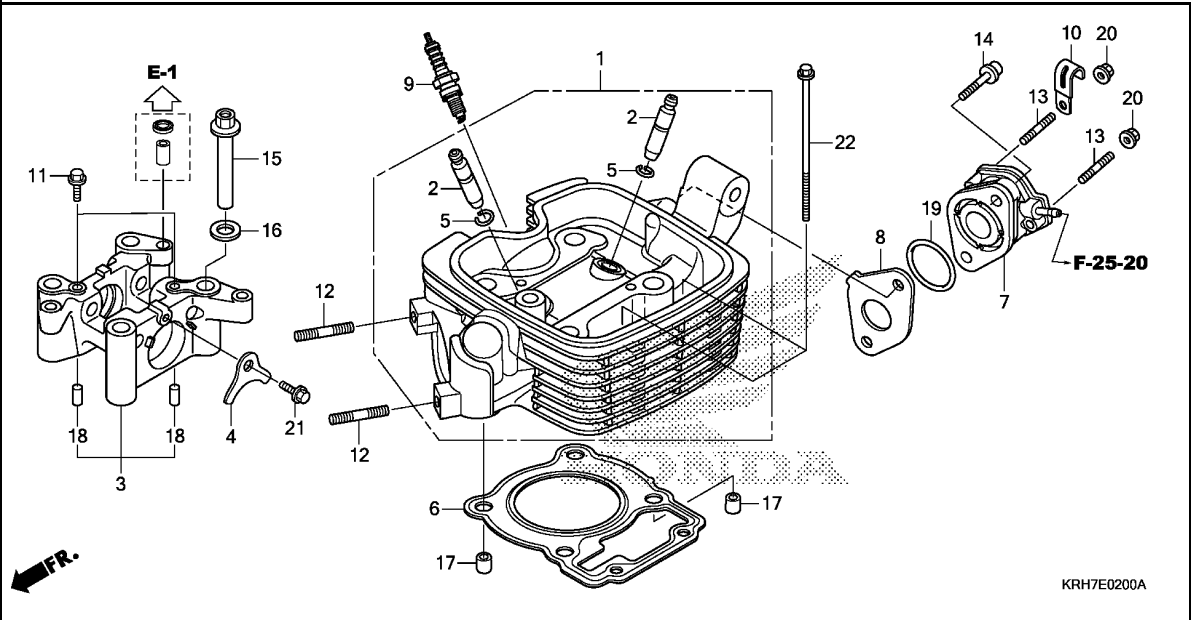
Ref. No.	L.O.N.	(Relative ref. Number) Description	F.R.T.
1	111106	HEAD, CYLINDERINCLUDES: Valve adjust and reface	2.2
2	1111L9	GUIDE, INTAKE VALVE(ONE)INCLUDES: Reaming .INCLUDES: Valve adjust and reface	2.2
	1111M0	GUIDE, EXHAUST VALVE(ONE)INCLUDES: Reaming .INCLUDES: Valve adjust and reface	2.2
	1111M9	GUIDE, VALVE :FOR 1 VEHICLE .. .INCLUDES: Reaming .INCLUDES: Valve adjust and reface	2.5
3	1111B4	HOLDER, CAMSHAFT	0.9
6	111115	GASKET, CYLINDER HEAD	1.4
7	311131	INSULATOR, THROTTLE BODY/ CARBURETOR	0.5
9	614130	PLUG, SPARK	0.1

KRH7E0200A

Ref. No.	Part No.	Description	Reqd. QTY						Serial No.	Parts catalogue code
			XR 125 LEK E	XR 125 LEK J	XL 125 LEK E	XR 150 LEK E	XR 150 LEK H	XR 150 LEK J		
1	12200-KRH-A00	HEAD COMP., CYLINDER	1	1	1	-	-	-		
	12200-KRH-650	-	-	-	1	1	1		
2	12204-KRM-305	GUIDE, VALVE(O.S.)	2	2	2	2	2	2		
3	12210-KVX-600	HOLDER COMP., CAMSHAFT	1	1	1	1	1	1		
4	12212-KRM-840	PLATE, STOPPER	1	1	1	1	1	1		
5	12213-KRM-840	CLIP, VALVE GUIDE	2	2	2	2	2	2		
	12213-KTT-900	2	2	2	2	2	2		
6	12251-KTE-911	GASKET, CYLINDER HEAD (NIPPON LEAKLESS)	1	1	1	-	-	-		
	12251-KVX-A00	GASKET, CYLINDER HEAD	1	1	1	-	-	-		
	12252-KVX-600	GASKET, CYLINDER HEAD (OS. 0.75/1.00)	(1)	(1)	(1)	-	-	-		
	12251-KRM-872	GASKET, CYLINDER HEAD	-	-	-	1	1	1		
	12252-KVS-306	GASKET, CYLINDER HEAD(OS) ...	-	-	-	(1)	(1)	(1)		
7	16210-KWK-900	INSULATOR, CARBURETOR	1	1	1	-	-	-		
	16210-KRH-650	-	-	-	1	1	1		
8	16214-KWK-900	GASKET, CARBURETOR INSULATOR	1	1	1	-	-	-		
	16214-KRH-650	-	-	-	1	1	1		
9	31916-KRM-841	PLUG, SPARK(CPR8EA-9)(NGK) ..	(1)	(1)	(1)	-	-	-		
	31917-KPH-901	PLUG, SPARK(CPR7EA-9)(NGK) ..	1	1	1	-	-	-		
	31916-KRM-841	PLUG, SPARK(CPR8EA-9)(NGK) ..	-	-	-	1	1	1		
	31926-KRM-841	PLUG, SPARK(CPR9EA-9)(NGK) ..	-	-	-	(1)	(1)	(1)		
10	32925-958-000	CLIP, PULSER CORD	1	1	1	1	1	1	----- 1LA,2SA,AG,CL,NZ,SA	
11	90002-KRM-840	BOLT, FLANGE, 5X14	2	2	2	2	2	2		
12	90035-KRM-840	BOLT, STUD, 8X22	2	2	2	2	2	2		
13	90035-KWK-900	BOLT, STUD, 6X19	2	2	2	2	2	2		

E-2

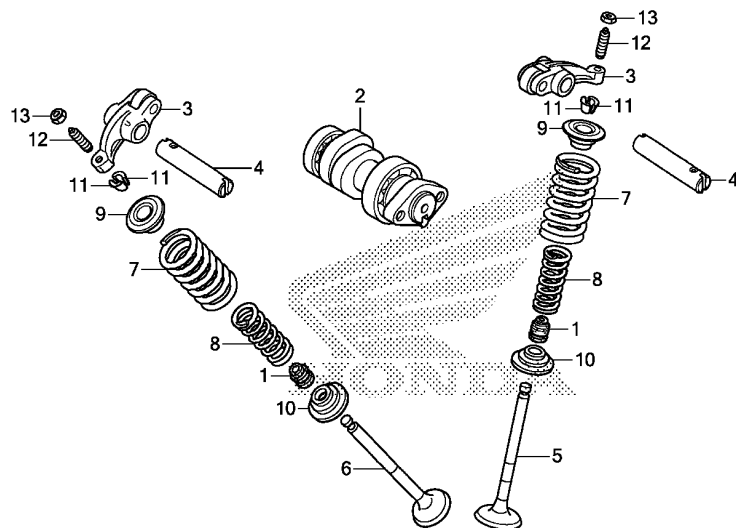
CYLINDER HEAD



Ref. No.	Part No.	Description	Reqd. QTY						Serial No.	Parts catalogue code
			XR 125 LEK E	XR 125 LEK J	XL 125 LEK E	XR 150 LEK E	XR 150 LEK H	XR 150 LEK J		
14	90091-KRM-840	BOLT, FLANGE SOCKET, 6X22 ...	2	2	2	2	2	2		
15	90306-KRM-840	NUT, CYLINDER HEAD	4	4	4	4	4	4		
16	90404-KPT-A00	WASHER, PLAIN, 12MM	4	4	4	4	4	4		
17	90703-KRM-840	DOWEL PIN, 10X12	2	2	2	2	2	2		
18	90704-KRM-840	DOWEL PIN, 6X10	2	2	2	2	2	2		
19	91304-KRM-840	O-RING, 33.5X3.0	1	1	1	1	1	1		
20	94050-06000	NUT, FLANGE, 6MM	2	2	2	2	2	2		
21	95701-06014-00	BOLT, FLANGE, 6X14	1	1	1	1	1	1		
22	95801-06105-00	BOLT, FLANGE, 6X105	2	2	2	2	2	2		

E-3

CAMSHAFT/VALVE



←FR.

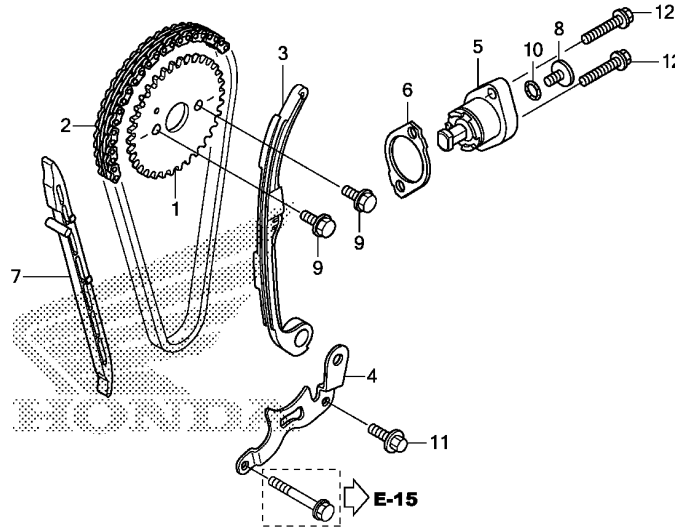
KRH7E0300

Ref. No.	L.O.N.	(Relative ref. Number) Description	F.R.T.
2	111118	CAMSHAFTINCLUDES: Valve adjustment (4)	0.7
3	1111K8	ARM, INTAKE VALVE ROCKER(ONE) .INCLUDES: Valve adjustment	0.8
	1111K9	ARM, EXHAUST VALVE ROCKER(ONE) .INCLUDES: Valve adjustment	0.8
	1111L8	ARM, VALVE ROCKER :FOR 1 VEHICLE	0.8
		.INCLUDES: Valve adjustment	
5	1111N0	VALVE, INTAKE(ONE)	1.7
		.INCLUDES: Refacing	
6	1111N1	VALVE, EXHAUST(ONE)	1.7
		.INCLUDES: Refacing	
	1111P0	VALVE :FOR 1 VEHICLE	1.9
		.INCLUDES: Refacing (1,8,9,10,11)	
7	1111P2	INTAKE VALVE SPRING AND/OR STEM SEAL(ONE)	1.5
	1111P3	EXHAUST VALVE SPRING AND/OR STEM SEAL(ONE)	1.5
	1111Q2	VALVE SPRING AND/OR STEM SEAL :FOR 1 VEHICLE	1.6

Ref. No.	Part No.	Description	Reqd. QTY						Serial No.	Parts catalogue code
			XR 125 LEK E	XR 125 LEK J	XL 125 LEK E	XR 150 LEK E	XR 150 LEK H	XR 150 LEK J		
1	12209-GB4-682	SEAL, VALVE STEM(ARAI)	2	2	2	2	2	2		
2	14100-KVX-600	CAMSHAFT COMP.	1	1	1	-	-	-		
	14100-KRH-650	-	-	-	1	1	1		
3	14430-KTT-900	ARM COMP., VALVE ROCKER	2	2	2	2	2	2		
4	14451-KTT-900	SHAFT, ROCKER ARM	2	2	2	2	2	2		
	14451-KVS-740	2	2	2	2	2	2		
5	14711-KTE-910	VALVE, IN.	1	1	1	-	-	-		
	14711-KSP-910	-	-	-	1	1	1		
6	14721-KWF-900	VALVE, EX.	1	1	1	-	-	-		
	14721-KTT-900	-	-	-	1	1	1		
	14721-KVE-900	-	-	-	-	-	1	-----	1LA,3LA,DK,NZ,SA
7	14751-KSP-910	SPRING, VALVE OUTER	2	2	2	2	2	-	-----	CL,PE
	14751-KRM-871	SPRING, VALVE	-	-	-	-	-	2	-----	1LA,3LA,DK,NZ,SA
8	14761-KSP-910	SPRING, VALVE INNER	2	2	2	2	2	-	-----	CL,PE
	14771-KSP-910	RETAINER, VALVE SPRING	2	2	2	2	2	-	-----	1LA,3LA,DK,NZ,SA
	14771-KRM-840	-	-	-	-	-	2	-----	1LA,3LA,DK,NZ,SA
10	14777-KGH-900	SEAT, VALVE SPRING	2	2	2	2	2	-	-----	CL,PE
	14775-KRM-840	-	-	-	-	-	2	-----	1LA,3LA,DK,NZ,SA
	14775-KRM-840	-	-	-	-	-	2	-----	CL,PE
11	14781-MA6-000	COTTER, VALVE	4	4	4	4	4	4		
12	90012-KK3-830	SCREW, TAPPET ADJUSTING	2	2	2	2	2	2		
13	90206-250-000	NUT, TAPPET ADJUSTING	2	2	2	2	2	2		

E-4

CAM CHAIN/TENSIONER



KRH7E0400

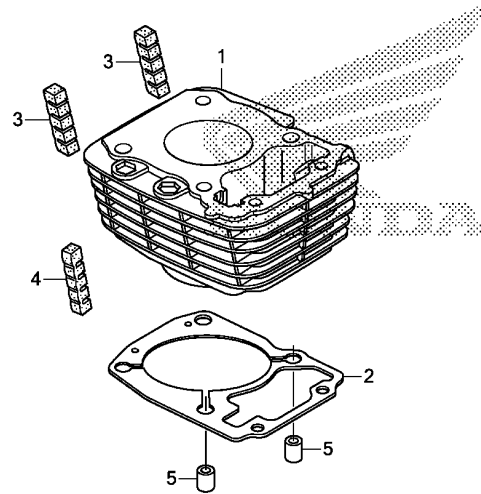
Ref. No.	L.O.N.	(Relative ref. Number) Description	F.R.T.
1	1111Q4	SPROCKET, CAM	0.5
2	110140	CHAIN, CAM	1.0
3	111130	TENSIONER, CAM CHAIN	0.9
5	111133	LIFTER, TENSIONER (6)	0.2
7	111139	GUIDE, CAM CHAIN	1.4

Ref. No.	Part No.	Description	Reqd. QTY						Serial No.	Parts catalogue code
			XR 125 LEK E	XR 125 LEK J	XL 125 LEK E	XR 150 LEK E	XR 150 LEK H	XR 150 LEK J		
1	14321-KRM-840	SPROCKET, CAM(34T)	1	1	1	1	1	1		
2	14401-KVJ-911	CHAIN, CAM(94L)(DAIDO)	1	1	1	1	1	1		
3	14510-KRM-842	TENSIONER ASSY., CAM CHAIN ..	1	1	1	1	1	1		
4	14515-KRM-840	PLATE, TENSIONER SETTING	1	1	1	1	1	1		
5	14520-KTT-900	LIFTER ASSY., TENSIONER	1	1	1	1	1	1		
6	14560-KSP-910	GASKET, TENSIONER LIFTER	1	1	1	1	1	1		
7	14610-KSP-910	GUIDE, CAM CHAIN	1	1	1	1	1	1		
8	90005-KY7-000	SCREW, PAN, 6X6	1	1	1	1	1	1		
9	90083-KRM-840	BOLT, KNOCK, 5MM	2	2	2	2	2	2		
10	91306-KRM-840	O-RING, 1.5X9.5	1	1	1	1	1	1		
11	95701-06016-00	BOLT, FLANGE, 6X16	1	1	1	1	1	1		
12	96001-06022-00	BOLT, FLANGE, 6X22	2	2	2	2	2	2		



E-5

CYLINDER



FR.

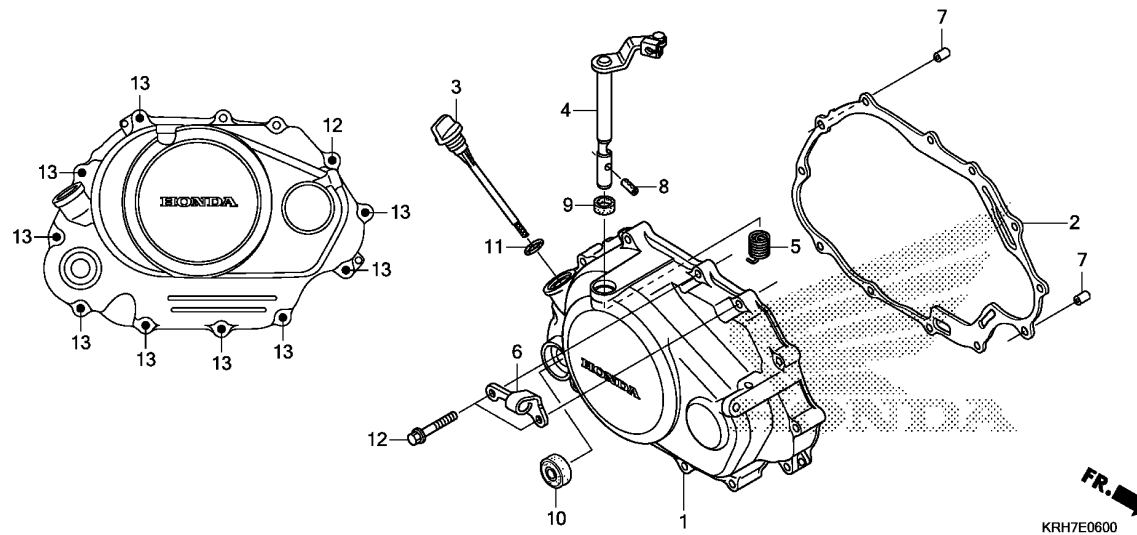
KRH7E0500

Ref. No.	L.O.N.	(Relative ref. Number) Description	F.R.T.
1	1111A5	CYLINDER	1.7
2	111102	GASKET, CYLINDER	1.6

Ref. No.	Part No.	Description	Reqd. QTY						Serial No.	Parts catalogue code
			XR 125 LEK E	XR 125 LEK J	XL 125 LEK E	XR 150 LEK E	XR 150 LEK H	XR 150 LEK J		
1	12100-KRH-780	CYLINDER COMP.	1	1	1	-	-	-		
	12100-KRH-650	-	-	-	1	1	1		
2	12191-KWK-900	GASKET, CYLINDER	1	1	1	1	1	1		
3	12195-KTE-910	RUBBER, INSERT	2	2	2	2	2	2		
4	12195-KTE-910	RUBBER, INSERT	1	1	1	-	-	-		
5	90703-KRM-840	DOWEL PIN, 10X12	2	2	2	2	2	2		

E-6

RIGHT CRANKCASE COVER



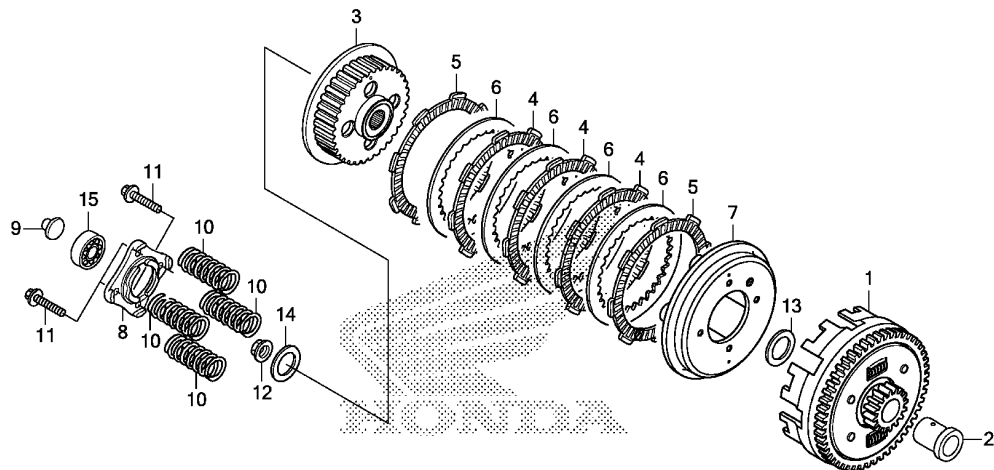
Ref. No.	L.O.N.	(Relative ref. Number) Description	F.R.T.
1	110159	COVER, CRANKCASE :RIGHT	0.7
2	110158	GASKET, CRANKCASE COVER :RIGHT (5)	0.6
4	2121A7	LEVER, CLUTCH	0.7
10	112105	OIL SEAL, KICK STARTER SPINDLE	0.6

Ref. No.	Part No.	Description	Reqd. QTY						Serial No.	Parts catalogue code
			XR 125 LEK E	XR 125 LEK J	XL 125 LEK E	XR 150 LEK E	XR 150 LEK H	XR 150 LEK J		
1	11330-KWK-900	COVER COMP., R. CRANKCASE ...	1	1	1	1	1	1		
2	11393-KWK-900	GASKET, R. CRANKCASE COVER ..	1	1	1	1	1	1		
3	15651-KPT-A00	GAUGE, OIL LEVEL	1	1	1	1	1	1		
4	22810-KRM-B00	LEVER COMP., CLUTCH	1	1	1	1	1	1		
5	22815-KTT-900	SPRING, CLUTCH LEVER	1	1	1	1	1	1		
6	22821-KRM-840	RECEIVER, CLUTCH CABLE	1	1	1	1	1	1		
7	90702-KRM-840	DOWEL PIN, 8X14	2	2	2	2	2	2		
8	90703-KRH-900	PIN, SPRING, 3X10	1	1	1	1	1	1		
9	91202-KSP-910	OIL SEAL, 12X18X4	1	1	1	1	1	1		
	91202-KSP-912	OIL SEAL, 12X18X4(KOK)	1	1	1	1	1	1		
10	91204-KSP-911	OIL SEAL, 16X28X7	1	1	1	1	1	1		
11	91307-KRM-840	O-RING, 18X3	1	1	1	1	1	1		
12	96001-06030-00	BOLT, FLANGE, 6X30	3	3	3	3	3	3		
13	96001-06040-00	BOLT, FLANGE, 6X40	9	9	9	9	9	9		



E-8

CLUTCH



KRH7E0800

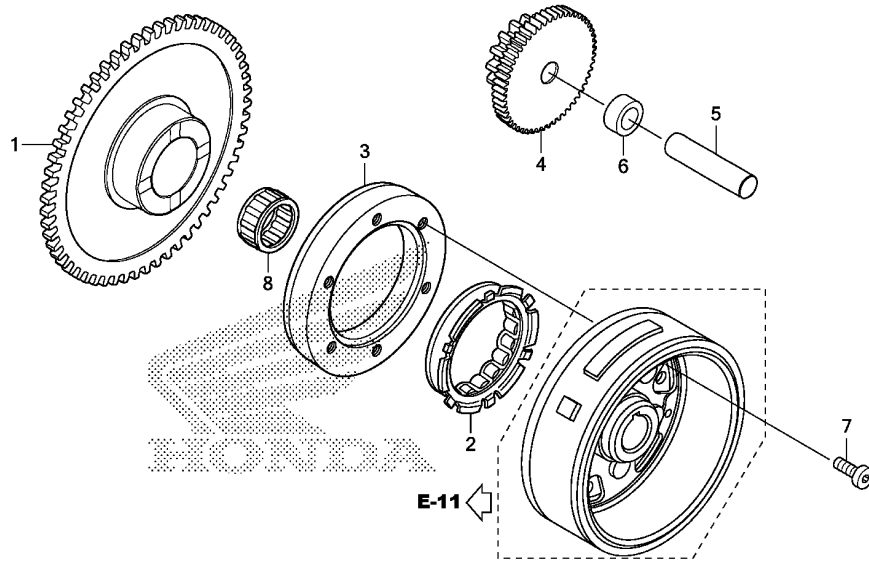
Ref. No.	L.O.N.	(Relative ref. Number) Description	F.R.T.
1	2121A0	OUTER, CLUTCH	1.0
3	212112	CENTER, CLUTCH	1.0
4	2121A1	(5,6) DISC, CLUTCH FRICTION	1.0
		.NOTE: Same time for two units or more	
7	2121A3	PLATE, CLUTCH PRESSURE	1.0
8	2121A4	PLATE, CLUTCH LIFTER	0.7
9	2121B6	ROD, CLUTCH LIFTER	0.6
10	212107	SPRING, CLUTCH	0.7
		.NOTE: Same time for two units or more	
15	2121B4	BEARING, CLUTCH LIFTER	0.6

Ref. No.	Part No.	Description	Reqd. QTY						Serial No.	Parts catalogue code
			XR 125 LEK E	XR 125 LEK J	XL 125 LEK E	XR 150 LEK E	XR 150 LEK H	XR 150 LEK J		
1	22100-KWK-900	OUTER COMP., CLUTCH	1	1	1	1	1	1		
2	22115-KSP-910	GUIDE, CLUTCH OUTER	1	1	1	1	1	1		
3	22120-KTT-900	CENTER, CLUTCH	1	1	1	1	1	1		
4	22201-KTT-900	DISK, CLUTCH FRICTION	3	3	3	3	3	3		
5	22202-KTT-900	DISK, CLUTCH FRICTION	2	2	2	2	2	2		
6	22321-KTT-900	PLATE, CLUTCH	4	4	4	4	4	4		
7	22355-KTT-900	PLATE, CLUTCH PRESSURE	1	1	1	1	1	1		
8	22361-KTT-900	PLATE, CLUTCH LIFTER	1	1	1	1	1	1		
9	22366-KRM-840	ROD, CLUTCH LIFTER	1	1	1	1	1	1		
10	22401-KRM-840	SPRING, CLUTCH	4	4	4	4	4	4		
11	90008-KTT-900	BOLT, FLANGE, 6X25	4	4	4	4	4	4		
12	90202-KRM-840	NUT, SPECIAL FLANGE, 14MM	1	1	1	1	1	1		
13	90405-KTT-900	WASHER, PLAIN, 17MM	1	1	1	1	1	1		
14	90501-KPT-A00	WASHER, 14.1X29X2.8	1	1	1	1	1	1		
15	96100-60030-00	BEARING, RADIAL BALL, 6003	1	1	1	1	1	1		

2

E-9

STARTING CLUTCH

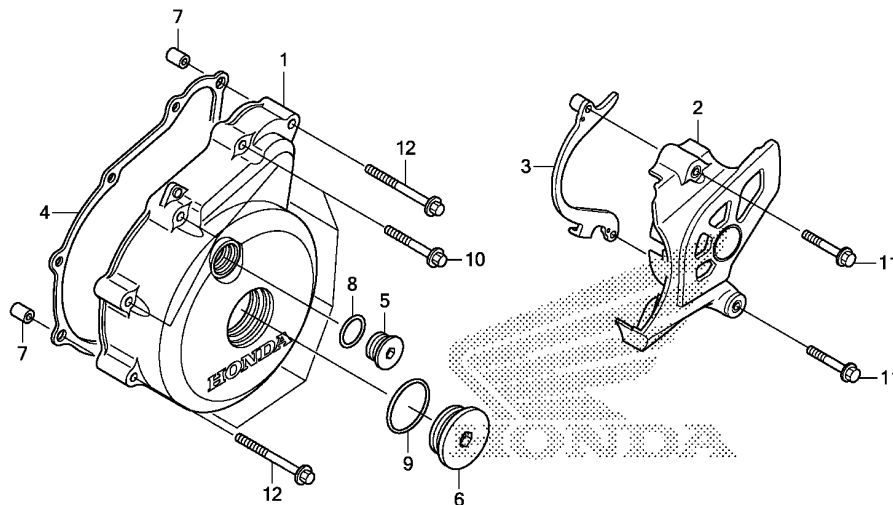


Ref. No.	L.O.N.	(Relative ref. Number) Description	F.R.T.
1		(8)	
612120		GEAR, STARTER DRIVEN	0.5
3		(2)	
612131		OUTER, STARTING CLUTCH	0.6
4		612125 GEAR, STARTER REDUCTION	0.3

Ref. No.	Part No.	Description	Reqd. QTY						Serial No.	Parts catalogue code
			XR 125 LEK E	XR 125 LEK J	XL 125 LEK E	XR 150 LEK E	XR 150 LEK H	XR 150 LEK J		
1	28110-KTT-901	GEAR, STARTER DRIVEN(58T) ...	1	1	1	1	1	1		
2	28126-MN4-004	CLUTCH, ONE WAY(NIPPON SEIKO)	1	1	1	1	1	1		
	28120-KYA-901	CLUTCH, ONE WAY	1	1	1	-	-	-		
3	28128-KVC-900	OUTER, STARTING CLUTCH	1	1	1	1	1	1		
4	28131-KTT-900	GEAR, STARTER REDUCTION (15/53T)	1	1	1	1	1	1		
5	28132-KN6-930	SHAFT, REDUCTION GEAR	1	1	1	1	1	1		
6	28133-KRM-850	COLLAR, STARTER REDUCTION ...	1	1	1	1	1	1		
7	90085-KTT-900	BOLT, SOCKET, 6MM	6	6	6	6	6	6		
8	91104-KTT-901	BEARING, NEEDLE, 22X29X16.8 -	1	1	1	1	1	1		

E-10

LEFT CRANKCASE COVER



Ref. No.	L.O.N.	(Relative ref. Number) Description	F.R.T.
1	1101A6	COVER, CRANKCASE :LEFT	0.4
2	1101B0	COVER, CRANKCASE :LEFT REAR ..	0.1
4	1101A3	GASKET, CRANKCASE COVER :LEFT	0.3

KRH7E1000

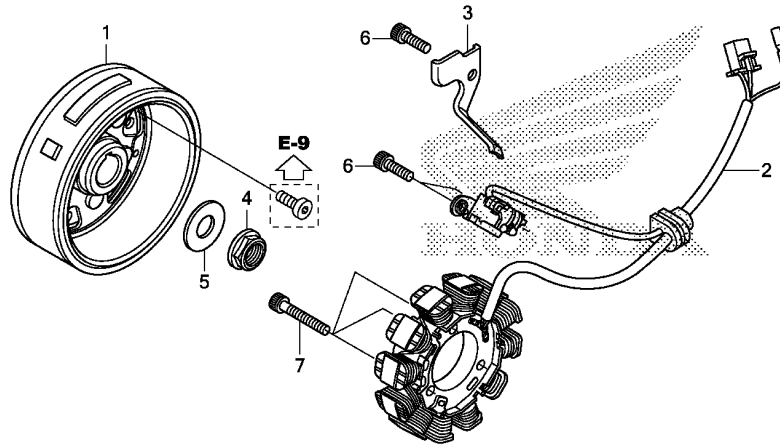
Ref. No.	Part No.	Description	Reqd. QTY						Serial No.	Parts catalogue code
			XR 125 LEK E	XR 125 LEK J	XL 125 LEK E	XR 150 LEK E	XR 150 LEK H	XR 150 LEK J		
1	11341-KWK-900	COVER, L. CRANKCASE	1	1	1	1	1	1		
2	11360-KRH-780	COVER COMP., L. RR.	1	1	1	1	1	1		
3	11365-KRH-780	GUIDE COMP., DRIVE CHAIN ...	1	1	1	1	1	1		
4	11395-KWK-900	GASKET, L. COVER	1	1	1	1	1	1		
5	90084-KTT-900	CAP, 14MM	1	1	1	1	1	1		
6	90087-KRM-840	CAP, 32MM	1	1	1	1	1	1		
7	90702-KRM-840	DOWEL PIN, 8X14	2	2	2	2	2	2		
8	91303-KRM-840	O-RING, 13.8X2.5	1	1	1	1	1	1		
9	91305-KRM-840	O-RING, 31.7X2.4	1	1	1	1	1	1		
10	96001-06035-00	BOLT, FLANGE, 6X35	7	7	7	7	7	7		
11	96001-06040-00	BOLT, FLANGE, 6X40	2	2	2	2	2	2		
12	96001-06045-00	BOLT, FLANGE, 6X45	2	2	2	2	2	2		

2

FR.

E-11

GENERATOR



KRH7E1100

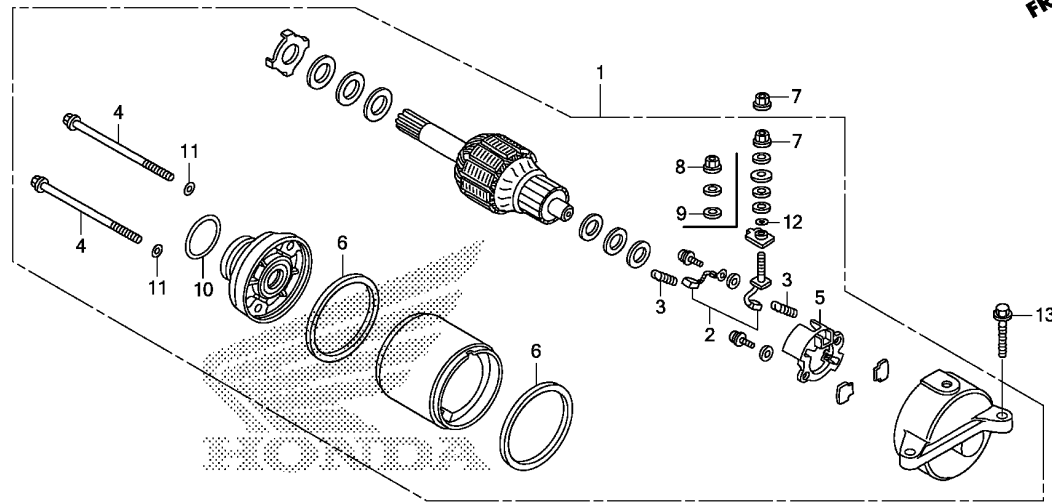
Ref. No.	L.O.N.	(Relative ref. Number) Description	F.R.T.
1	613105	ROTOR OR FLYWHEEL	0.6
2	6131A3	STATOR	0.6

Ref. No.	Part No.	Description	Reqd. QTY						Serial No.	Parts catalogue code
			XR 125 LEK E	XR 125 LEK J	XL 125 LEK E	XR 150 LEK E	XR 150 LEK H	XR 150 LEK J		
1	31110-KRH-A01	FLYWHEEL COMP.	1	1	1	1	1	1		
2	31120-KRH-781	STATOR COMP.	1	1	1	1	1	1		
3	32111-KSP-910	CLAMPER, A.C. GENERATOR CORD	1	1	1	1	1	1		
4	90201-KRM-840	NUT, FLANGE, 14MM	1	1	1	1	1	1		
5	90501-KPT-A00	WASHER, 14.1X29X2.8	1	1	1	1	1	1		
6	96600-06016-00	BOLT, SOCKET, 6X16	3	3	3	3	3	3		
7	96600-06022-00	BOLT, SOCKET, 6X22	3	3	3	3	3	3		



E-13

STARTER MOTOR(1)



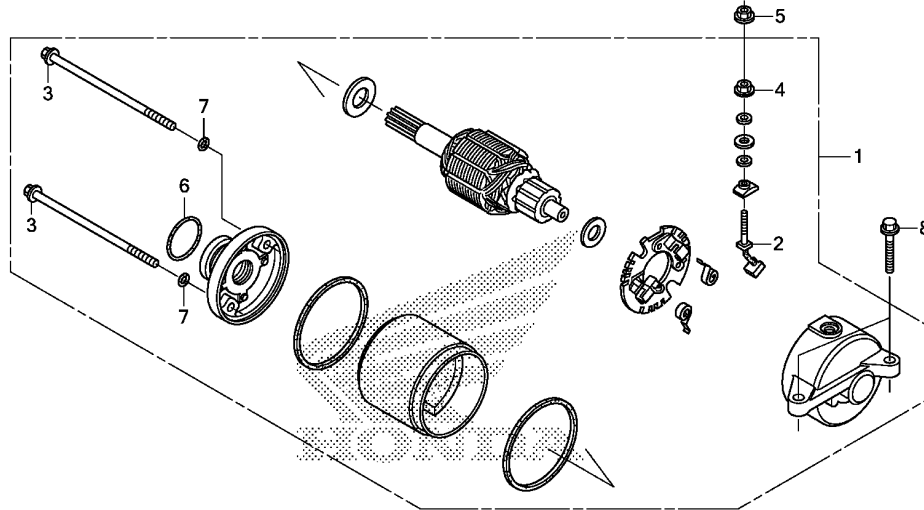
KRH7E1300

Ref. No.	L.O.N.	(Relative ref. Number) Description	F.R.T.
1		(10)	
612105		MOTOR, STARTING	0.4
2		(3,5,6)	
6121A4		TERMINAL, BRUSH(STARTER)	0.6

Ref. No.	Part No.	Description	Reqd. QTY						Serial No.	Parts catalogue code
			XR 125 LEK E	XR 125 LEK J	XL 125 LEK E	XR 150 LEK E	XR 150 LEK H	XR 150 LEK J		
1	31200-KRM-851	MOTOR ASSY., STARTER(MITSUBA)	1	-	1	-	-	-		
	31200-KRH-651	MOTOR ASSY., STARTER	-	-	-	1	1	1		
2	31201-KPT-A01	TERMINAL SET, BRUSH	1	-	1	-	-	-		
	31201-KVC-901	-	-	-	1	1	1		
3	31204-KG8-004	SPRING, CARBON BRUSH	2	-	2	-	-	-		
	31204-KRH-651	SPRING, BRUSH	-	-	-	2	2	2		
4	31205-KRM-851	BOLT, SETTING	2	-	2	-	-	-		
	31205-KYY-931	-	-	-	2	2	2		
5	31206-KPH-881	HOLDER, BRUSH	1	-	1	-	-	-		
	31206-KRH-651	HOLDER SET, BRUSH	-	-	-	1	1	1		
6	31207-MBE-008	RING	2	-	2	-	-	-		
	31207-KRH-651	-	-	-	2	2	2		
7	90071-MB0-000	NUT-WASHER, 6MM	2	-	2	-	-	-		
	90071-K28-910	-	-	-	1	1	1		
8	90071-K28-910	NUT-WASHER, 6MM	-	-	-	1	1	1		
9	91308-KRH-651	PACKING	-	-	-	1	1	1		
10	91309-425-003	O-RING, 24.4X3.1(ARAI)	1	-	1	-	-	-		
	91309-KYY-931	O-RING, 24.4X3.1	-	-	-	1	1	1		
11	91320-MB0-000	O-RING, 4X2	2	-	2	-	-	-		
	91320-KYY-931	O-RING	-	-	-	2	2	2		
12	91320-MB0-000	O-RING, 4X2	1	-	1	-	-	-		
13	95701-06022-00	BOLT, FLANGE, 6X22	2	-	2	2	2	2		

E-13-1

STARTER MOTOR(2)



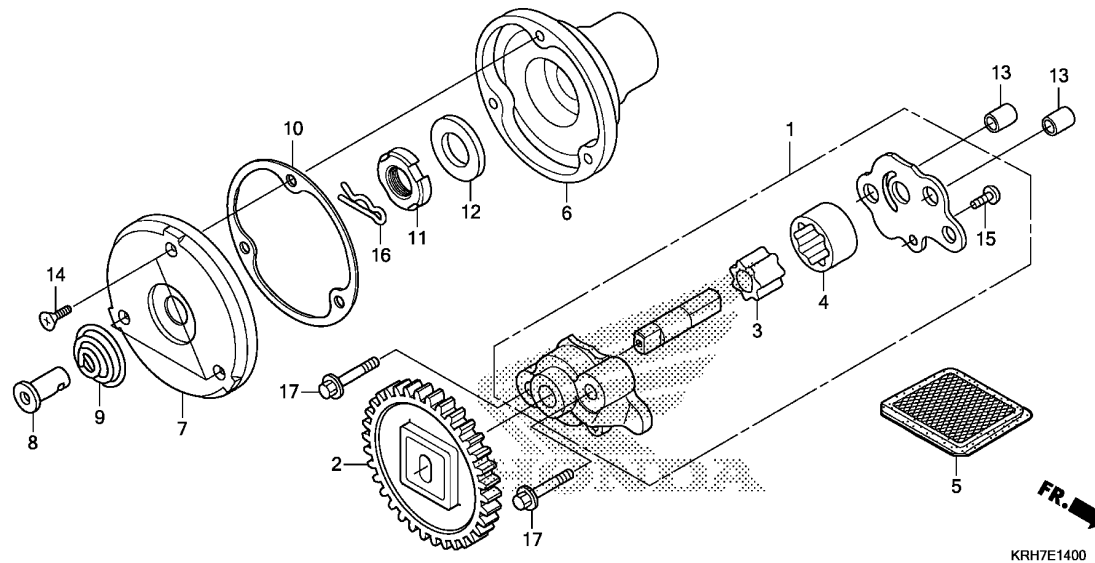
Ref. No.	L.O.N.	(Relative ref. Number) Description	F.R.T.
1	612105	MOTOR, STARTING	0.4
2	6121A4	TERMINAL, BRUSH(STARTER)	0.6

Ref. No.	Part No.	Description	Reqd. QTY						Serial No.	Parts catalogue code
			XR 125 LEK E	XR 125 LEK J	XL 125 LEK E	XR 150 LEK E	XR 150 LEK H	XR 150 LEK J		
1	31200-KTT-900	MOTOR ASSY., STARTER	-	1	-	-	-	-		
2	31201-KPH-W00	BRUSH SET, TERMINAL	-	1	-	-	-	-		
3	31205-KPH-W00	BOLT SET	-	2	-	-	-	-		
4	90071-KEJ-900	NUT-WASHER, 6MM	-	1	-	-	-	-		
5	90071-MB0-000	NUT-WASHER, 6MM	-	1	-	-	-	-		
6	91309-KCW-870	O-RING	-	1	-	-	-	-		
7	91320-KPH-W00	O-RING	-	2	-	-	-	-		
8	95701-06022-00	BOLT, FLANGE, 6X22	-	2	-	-	-	-		



E-14

OIL PUMP

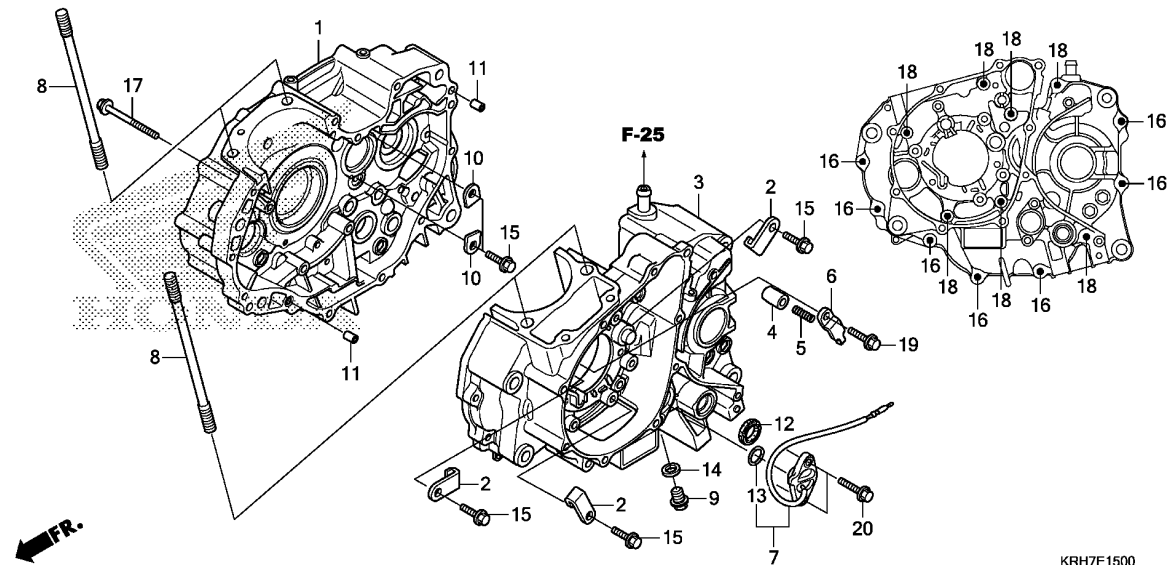


Ref. No.	L.O.N.	(Relative ref. Number) Description	F.R.T.
1	113105	PUMP ASSY., OIL	0.7
2	1131B8	GEAR, OIL PUMP DRIVE	0.6
3		(4)	
	1131C7	ROTOR, OIL PUMP	0.7
5	1131B5	SCREEN, OIL FILTER	0.6
6	1101L0	ROTOR, OIL FILTER	0.8
7		(10)	
	1101L1	CAP, OIL FILTER ROTOR	0.7

Ref. No.	Part No.	Description	Reqd. QTY						Serial No.	Parts catalogue code
			XR 125 LEK E	XR 125 LEK J	XL 125 LEK E	XR 150 LEK E	XR 150 LEK H	XR 150 LEK J		
1	15100-KTT-900	PUMP ASSY., OIL	1	1	1	1	1	1		
2	15130-KTT-900	GEAR COMP., OIL PUMP(34T) ...	1	1	1	1	1	1		
3	15331-KTT-900	ROTOR, OIL PUMP INNER	1	1	1	1	1	1		
4	15332-KTT-900	ROTOR, OIL PUMP OUTER	1	1	1	1	1	1		
5	15421-KSP-910	SCREEN, OIL FILTER	1	1	1	1	1	1		
6	15430-KSP-910	ROTOR, OIL FILTER	1	1	1	1	1	1		
7	15436-KRM-840	CAP, OIL FILTER ROTOR	1	1	1	1	1	1		
8	15441-KCS-650	THROUGH, OIL	1	1	1	1	1	1		
9	15446-107-000	SPRING, OIL THROUGH	1	1	1	1	1	1		
10	15459-KWK-900	GASKET, OIL FILTER CAP	1	1	1	1	1	1		
11	90231-KRM-840	NUT, LOCK, 14MM	1	1	1	1	1	1		
12	90432-KPT-A00	WASHER, 14.2X26X3	1	1	1	1	1	1		
13	90702-KRM-840	DOWEL PIN, 8X14	2	2	2	2	2	2		
14	93700-05012-OA	SCREW, OVAL, 5X12	3	3	3	3	3	3		
15	93901-34120	SCREW, TAPPING, 4X8	1	1	1	1	1	1		
16	94251-08000	PIN, LOCK, 8MM	1	1	1	1	1	1		
17	95701-06035-00	BOLT, FLANGE, 6X35	2	2	2	2	2	2		

E-15

CRANKCASE



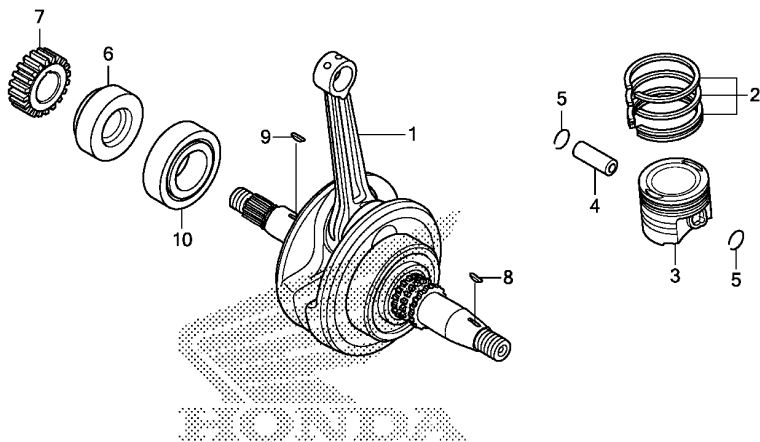
Ref. No.	L.O.N.	(Relative ref. Number) Description	F.R.T.
1	110120	CRANKCASE :RIGHTINCLUDES: Engine removal and installation	4.6
3	110115	CRANKCASE :LEFTINCLUDES: Engine removal and installation	4.3
	1101A2	CRANKCASE :BOTHINCLUDES: Engine removal and installation	5.2
7	6151B8	SWITCH, NEUTRAL	0.3
12	1101F9	OIL SEAL, GEARSHIFT SPINDLE ..	0.9



Ref. No.	Part No.	Description	Reqd. QTY						Serial No.	Parts catalogue code
			XR 125 LEK E	XR 125 LEK J	XL 125 LEK E	XR 150 LEK E	XR 150 LEK H	XR 150 LEK J		
1	11100-KRH-A00	CRANKCASE COMP., R.(ES)	1	1	1	-	-	-		
	11100-KRH-650	-	-	-	1	1	1		
2	11108-KTT-900	PLATE, L. BEARING SETTING ...	3	3	3	3	3	3		
3	11200-KRH-A00	CRANKCASE COMP., L.(ES)	1	1	1	-	-	-		
	11200-KRH-650	-	-	-	1	1	1		
4	11215-KRM-840	PLUG, BEARING PUSH	1	1	1	1	1	1		
5	11216-KRM-840	SPRING, BEARING PUSH	1	1	1	1	1	1		
6	11217-KRM-840	PLATE, BEARING PUSH	1	1	1	1	1	1		
7	35750-KYE-900	SWITCH SET, NEUTRAL (TOYO DENSO)	1	1	1	1	1	1		
8	90031-KTT-900	BOLT, CYLINDER STUD, 8X140 ..	4	4	4	4	4	4		
9	90131-KRM-840	BOLT, DRAIN PLUG, 12MM	1	1	1	1	1	1		
10	90441-KRM-840	PLATE, BEARING HOLDER	2	2	2	2	2	2		
11	90702-KRM-840	DOWEL PIN, 8X14	2	2	2	2	2	2		
12	91203-KSP-910	OIL SEAL, 14X22X5	1	1	1	1	1	1		
	91203-KSP-913	OIL SEAL, 14X22X5 (KOK)	1	1	1	1	1	1		
13	91305-KPH-900	O-RING, 19.4X2.3	1	1	1	1	1	1		
14	94109-12000	WASHER, DRAIN PLUG, 12MM	1	1	1	1	1	1		
15	95701-06016-00	BOLT, FLANGE, 6X16	5	5	5	5	5	5		
16	95701-06040-00	BOLT, FLANGE, 6X40	7	7	7	7	7	7		
17	95701-06045-00	BOLT, FLANGE, 6X45	1	1	1	1	1	1		
18	95701-06070-00	BOLT, FLANGE, 6X70	7	7	7	7	7	7		
19	96001-06018-00	BOLT, FLANGE, 6X18	1	1	1	1	1	1		
20	96001-06020-00	BOLT, FLANGE, 6X20	2	2	2	2	2	2		

E-16

CRANKSHAFT/PISTON(XR/XL125LEK)



FR.

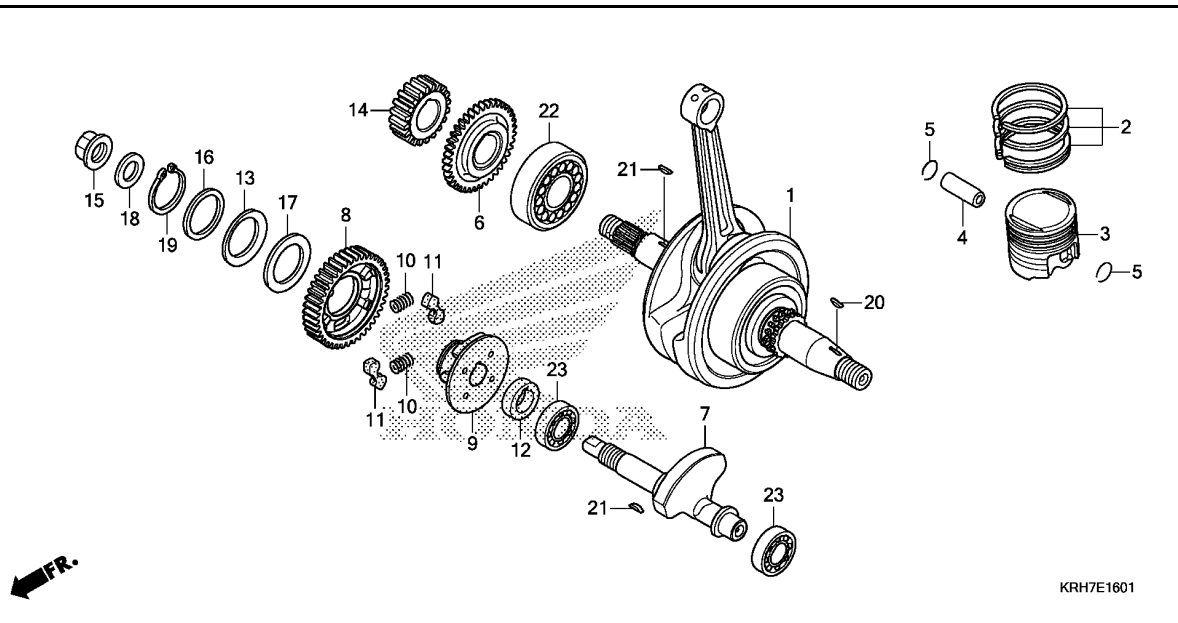
KRH7E1600

Ref. No.	L.O.N.	(Relative ref. Number) Description	F.R.T.
1	1101B5	CRANKSHAFT -INCLUDES: Engine removal and installation	3.8
3	111103	PISTON RING AND/OR PISTON(ONE) (2,4,5)	1.8
7	211105	GEAR, PRIMARY DRIVE	1.0
10	1101B7	BEARING, CRANKSHAFT :RIGHT ... -INCLUDES: Engine removal and installation	3.8

Ref. No.	Part No.	Description	Reqd. QTY						Serial No.	Parts catalogue code
			XR 125 LEK E	XR 125 LEK J	XL 125 LEK E	XR 150 LEK E	XR 150 LEK H	XR 150 LEK J		
1	13000-KVX-600	CRANKSHAFT COMP.	1	1	1	-	-	-		
2	13011-KVX-600	RING SET, PISTON(STD.) (RIKEN)	1	1	1	-	-	-		
	13021-KVX-600	RING SET, PISTON(0.25) (RIKEN)	(1)	(1)	(1)	-	-	-		
	13031-KVX-600	RING SET, PISTON(0.50) (RIKEN)	(1)	(1)	(1)	-	-	-		
	13041-KVX-600	RING SET, PISTON(0.75) (RIKEN)	(1)	(1)	(1)	-	-	-		
	13051-KVX-600	RING SET, PISTON(1.00) (RIKEN)	(1)	(1)	(1)	-	-	-		
3	13101-KTE-910	PISTON(STD.)	1	1	1	-	-	-		
	13102-KTE-305	PISTON(0.25)	(1)	(1)	(1)	-	-	-		
	13103-KTE-305	PISTON(0.50)	(1)	(1)	(1)	-	-	-		
	13104-KTE-305	PISTON(0.75)	(1)	(1)	(1)	-	-	-		
	13105-KTE-305	PISTON(1.00)	(1)	(1)	(1)	-	-	-		
4	13111-KVX-600	PIN, PISTON	1	1	1	-	-	-		
5	13115-GN5-910	CLIP, PISTON PIN, 13MM	2	2	2	-	-	-		
6	13412-KTE-910	COLLAR, R. CRANKSHAFT	1	1	1	-	-	-		
7	23121-KTT-900	GEAR, PRIMARY DRIVE(20T)	1	1	1	-	-	-		
8	90741-KFB-000	KEY, WOODRUFF, 4MM	1	1	1	-	-	-		
9	90741-KGH-900	KEY, WOODRUFF, 4MM	1	1	1	-	-	-		
10	91001-KRM-842	BEARING, ROLLER, 30X58X17 (NTN)	1	1	1	-	-	-		
	91001-KSP-913	BEARING, ROLLER, 30X58X17 (FAG)	1	1	1	-	-	-		

E-16-1

CRANKSHAFT/PISTON(XR150LEK)



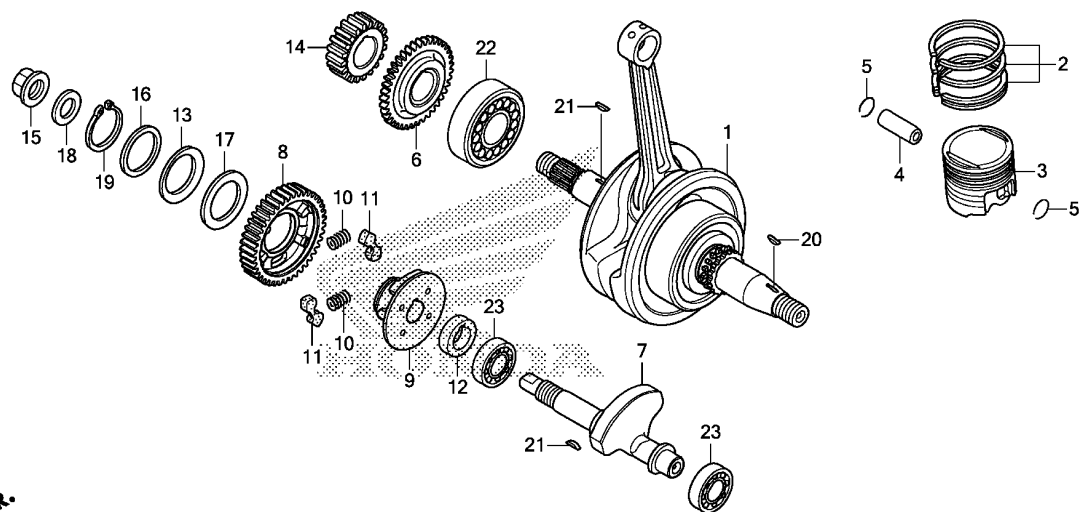
Ref. No.	L.O.N.	(Relative ref. Number) Description	F.R.T.
1	1101B5	CRANKSHAFTINCLUDES: Engine removal and installation (2,4,5)	3.8
3	111103	PISTON RING AND/OR PISTON(ONE)	1.8
6	110183	GEAR, BALANCER DRIVE	1.0
7	110185	SHAFT, BALANCERINCLUDES: Engine removal and installation (10,11)	3.6
8	1101L5	GEAR, BALANCER DRIVEN	0.8
9	1101L6	BUSH, BALANCER DRIVEN GEAR ...	0.8
14	211105	GEAR, PRIMARY DRIVE	1.0
22	1101B7	BEARING, CRANKSHAFT :RIGHTINCLUDES: Engine removal and installation	3.8
23	1101G3	BEARING, BALANCER SHAFT :LEFT .INCLUDES: Engine removal and installation	3.8
	1101G4	BEARING, BALANCER SHAFT :RIGHT .INCLUDES: Engine removal and installation	3.8
	1101G5	BEARING, BALANCER SHAFT :BOTH .INCLUDES: Engine removal and installation	4.0

Ref. No.	Part No.	Description	Reqd. QTY						Serial No.	Parts catalogue code
			XR 125 LEK E	XR 125 LEK J	XR 125 LEK E	XR 150 LEK E	XR 150 LEK H	XR 150 LEK J		
1	13000-KTT-C00	CRANKSHAFT COMP.	-	-	-	1	1	1		
2	13011-KRM-305	RING SET, PISTON(STD.) (RIKEN)	-	-	-	1	1	1		
	13021-KRM-305	RING SET, PISTON(0.25) (RIKEN)	-	-	-	(1)	(1)	(1)		
	13031-KRM-305	RING SET, PISTON(0.50) (RIKEN)	-	-	-	(1)	(1)	(1)		
	13041-KRM-305	RING SET, PISTON(0.75) (RIKEN)	-	-	-	(1)	(1)	(1)		
	13051-KRM-305	RING SET, PISTON(1.00) (RIKEN)	-	-	-	(1)	(1)	(1)		
3	13101-KRM-930	PISTON(STD.)	-	-	-	1	1	1		
	13102-KRM-305	PISTON(0.25)	-	-	-	(1)	(1)	(1)		
	13103-KRM-305	PISTON(0.50)	-	-	-	(1)	(1)	(1)		
	13104-KRM-305	PISTON(0.75)	-	-	-	(1)	(1)	(1)		
	13105-KRM-305	PISTON(1.00)	-	-	-	(1)	(1)	(1)		
4	13111-KTT-900	PIN, PISTON	-	-	-	1	1	1		
5	13112-KRM-840	CLIP, PISTON PIN, 14MM	-	-	-	2	2	2		
6	13411-KTT-900	GEAR, BALANCER DRIVE(41T) ...	-	-	-	1	1	1		
7	13421-KRM-840	SHAFT, BALANCER	-	-	-	1	1	1		
8	13422-KTT-900	GEAR, BALANCER DRIVEN(41T) ..	-	-	-	1	1	1		
9	13426-KTT-900	BUSH, BALANCER DRIVEN GEAR ..	-	-	-	1	1	1		
10	13427-KTT-900	SPRING, DAMPER	-	-	-	2	2	2		
11	13428-KRM-840	RUBBER, DAMPER	-	-	-	2	2	2		
12	13429-KTT-900	COLLAR, BALANCER DRIVEN GEAR	-	-	-	1	1	1		
13	13538-KTT-900	SPRING, THRUST	-	-	-	1	1	1		
14	23121-KTT-900	GEAR, PRIMARY DRIVE(20T)	-	-	-	1	1	1		
15	90201-KRM-840	NUT, FLANGE, 14MM	-	-	-	1	1	1		
16	90402-KTT-900	WASHER, 28.1X36X1.8	-	-	-	1	1	1		
17	90403-KTT-900	WASHER, 28.1X45X1.4	-	-	-	1	1	1		



E-16-1

CRANKSHAFT/PISTON(XR150LEK)

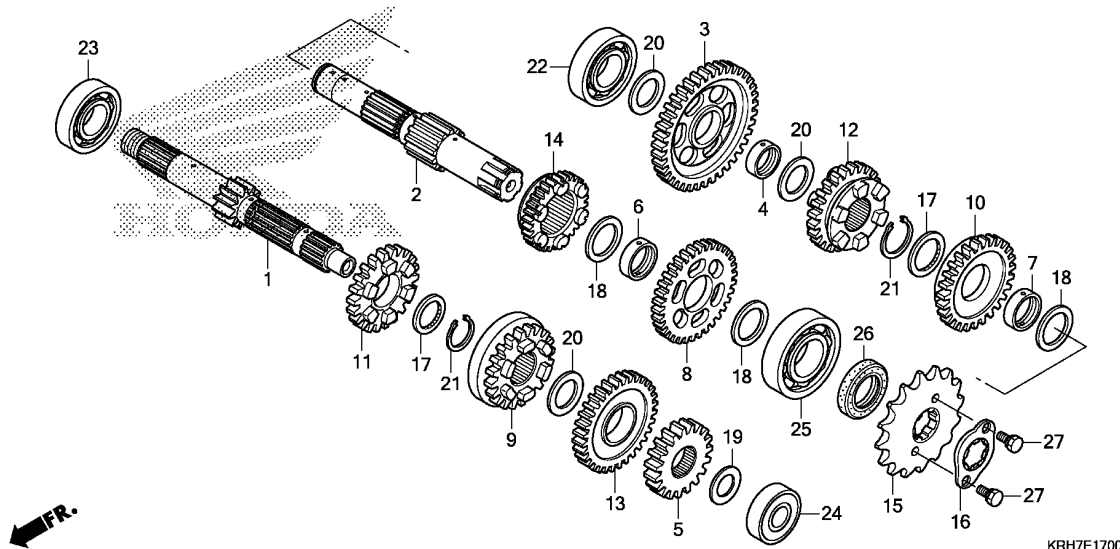


KRH7E1601

Ref. No.	Part No.	Description	Reqd. QTY						Serial No.	Parts catalogue code
			XR 125 LEK E	XR 125 LEK J	XL 125 LEK E	XR 150 LEK E	XR 150 LEK H	XR 150 LEK J		
18	90501-KPT-A00	WASHER, 14.1X29X2.8	-	-	-	1	1	1		
19	90604-KTT-900	CIRCLIP, EXTERNAL, 28	-	-	-	1	1	1		
20	90741-KFB-000	KEY, WOODRUFF, 4MM	-	-	-	1	1	1		
21	90741-KGH-900	KEY, WOODRUFF, 4MM	-	-	-	2	2	2		
22	91001-KRM-842	BEARING, ROLLER, 30X58X17 (NTN)	-	-	-	1	1	1		
	91001-KSP-913	BEARING, ROLLER, 30X58X17 (FAG)	-	-	-	1	1	1		
23	91004-KTT-900	BEARING, RADIAL BALL, 6202 SPL	-	-	-	2	2	2		

E-17

TRANSMISSION



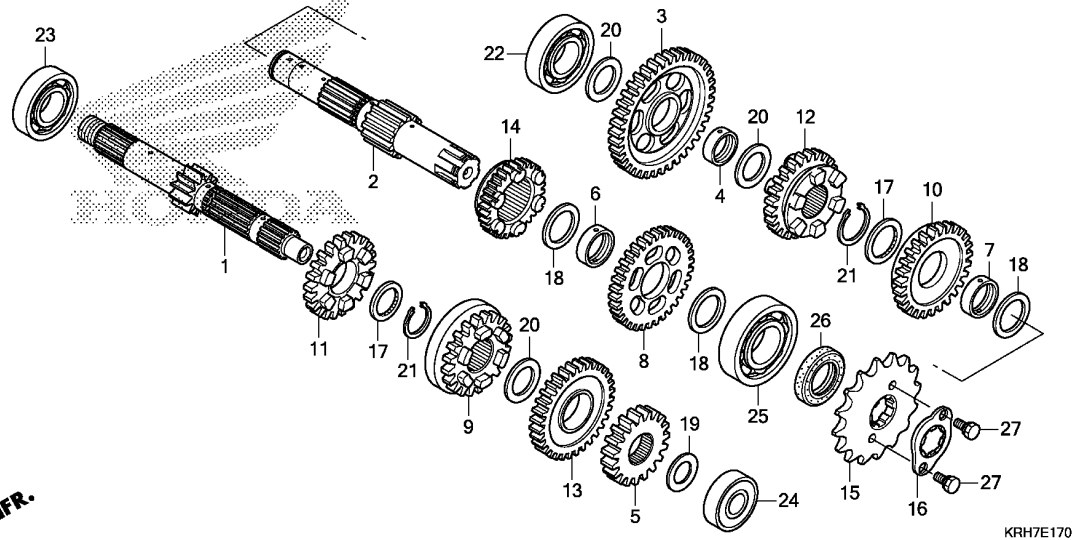
Ref. No.	L.O.N.	(Relative ref. Number) Description	F.R.T.
1	210141	(5,9,11,13) MAINSHAFT, TRANSMISSIONINCLUDES: Engine removal and installation	3.8
2	210141A	.Replace countershaft add	0.2
2	210142	(3,8,10,12,14) COUNTERSHAFT, TRANSMISSIONINCLUDES: Engine removal and installation	3.8
	210142A	.Replace mainshaft add	0.2
15	213135	SPROCKET, DRIVE	0.2
22	2101C8	BEARING, COUNTERSHAFT :RIGHT - .INCLUDES: Engine removal and installation	3.8
23	2101C5	BEARING, MAINSHAFT :RIGHTINCLUDES: Engine removal and installation	3.8
24	2101C2	BEARING, MAINSHAFT :LEFTINCLUDES: Engine removal and installation	3.8
	2101C6	BEARING, MAINSHAFT :BOTHINCLUDES: Engine removal and installation	4.0
+25	2101C7	BEARING, COUNTERSHAFT :LEFT ..	3.8

Ref. No.	Part No.	Description	Reqd. QTY						Serial No.	Parts catalogue code
			XR 125 LEK E	XR 125 LEK J	XL 125 LEK E	XR 150 LEK E	XR 150 LEK H	XR 150 LEK J		
1	23210-KRH-780	MAINSHAFT COMP.(14T)	1	1	1	1	1	1		
2	23220-KRH-780	COUNTERSHAFT COMP.	1	1	1	1	1	1		
3	23421-KRH-780	GEAR, COUNTERSHAFT LOW(39T) -	1	1	1	1	1	1		
4	23427-KRM-840	BUSH, 17X20.5X8.0	1	1	1	1	1	1		
5	23431-KPN-A00	GEAR, MAINSHAFT SECOND(16T) -	1	1	1	1	1	1		
6	23432-KRH-780	BUSH, 20MM	1	1	1	1	1	1		
7	23432-KVX-600	BUSH, 20MM	1	1	1	1	1	1		
8	23441-KPN-A00	GEAR, COUNTERSHAFT SECOND(30T)	1	1	1	1	1	1		
9	23451-KPN-A00	GEAR, MAINSHAFT THIRD(22T) --	1	1	1	1	1	1		
10	23461-KPN-A00	GEAR, COUNTERSHAFT THIRD(31T)	1	1	1	1	1	1		
11	23471-KPN-A00	GEAR, MAINSHAFT FOURTH(25T) -	1	1	1	1	1	1		
12	23481-KPN-A00	GEAR, COUNTERSHAFT FOURTH(28T)	1	1	1	1	1	1		
13	23491-KPN-A00	GEAR, MAINSHAFT FIFTH(32T) --	1	1	1	1	1	1		
14	23501-KPN-A00	GEAR, COUNTERSHAFT FIFTH(30T)	1	1	1	1	1	1		
15	23801-KWF-940	SPROCKET, DRIVE(16T)	1	1	1	-	-	-		
	23801-KRH-650	SPROCKET, DRIVE(17T)	-	-	-	1	1	1		
16	23811-KR3-600	PLATE A2, FIXING	1	1	1	1	1	1		
17	90453-KVX-600	WASHER, SPLINE, 20MM	2	2	2	2	2	2		
18	90454-KTT-900	WASHER B, THRUST, 20MM	3	3	3	3	3	3		
19	90456-KTT-900	WASHER, THRUST, 12MM	1	1	1	1	1	1		
20	90458-KVS-900	WASHER, THRUST, 17MM	3	3	3	3	3	3		
21	90602-KYY-900	CIRCLIP, 20MM	2	2	2	2	2	2		
22	91003-KTT-900	BEARING, RADIAL BALL, 17X42X12	1	1	1	-	-	-		
	91003-KTT-C01	-	-	-	1	1	1		



E-17

TRANSMISSION



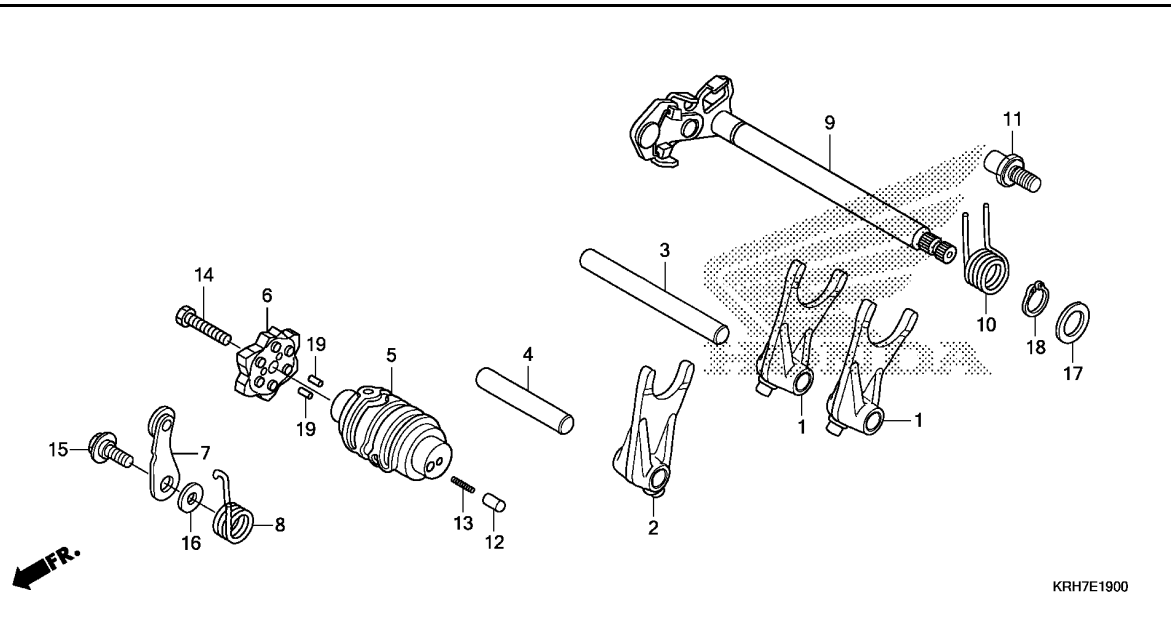
Ref. No.	L.O.N.	(Relative ref. Number) Description	F.R.T.
+25		.INCLUDES: Engine removal and installation	
2101C9		BEARING, COUNTERSHAFT :BOTH ..	4.0
2101D4		BEARING, MAINSHAFT AND COUNTERSHAFT :ALL	4.2
		.INCLUDES: Engine removal and installation	

KRH7E1700

Ref. No.	Part No.	Description	Reqd. QTY						Serial No.	Parts catalogue code
			XR 125 LEK E	XR 125 LEK J	XL 125 LEK E	XR 150 LEK E	XR 150 LEK H	XR 150 LEK J		
23	91004-KTN-900	BEARING, RADIAL BALL, 17X40X12	1	1	1	-	-	-		
	91015-KTT-901	BEARING, RADIAL BALL, 6203(C3)	-	-	-	1	1	1		
24	91005-KTN-900	BEARING, RADIAL BALL, 12X32X10	1	1	1	-	-	-		
	91014-KTT-901	BEARING, RADIAL BALL, 6201U	-	-	-	1	1	1		
25	91006-KTN-900	BEARING, RADIAL BALL, 20X47X14	1	1	1	-	-	-		
	91016-KTT-901	BEARING, RADIAL BALL, 6204 ..	-	-	-	1	1	1		
26	91216-KSP-910	OIL SEAL, 20X34X7	1	1	1	1	1	1		
	91217-KSP-911	OIL SEAL, 20X34X7 (ARAI)	1	1	1	1	1	1		
27	93101-06010-0A	BOLT, HEX., 6X10	2	2	2	2	2	2		

E-19

GEARSHIFT DRUM



Ref. No.	L.O.N.	(Relative ref. Number) Description	F.R.T.
1	(2)	210112 FORK, GEARSHIFT	3.7
		.INCLUDES: Engine removal and installation .NOTE: Same time for two units or more	
5	2101A9	DRUM, GEARSHIFT	3.7
		.INCLUDES: Engine removal and installation	
6	2101D6	PLATE, GEARSHIFT DRUM STOPPER (8)	1.1
7	210125	STOPPER OR SPRING, SHIFT DRUM (10)	1.1
9	210122	SPINDLE, GEARSHIFT	1.0

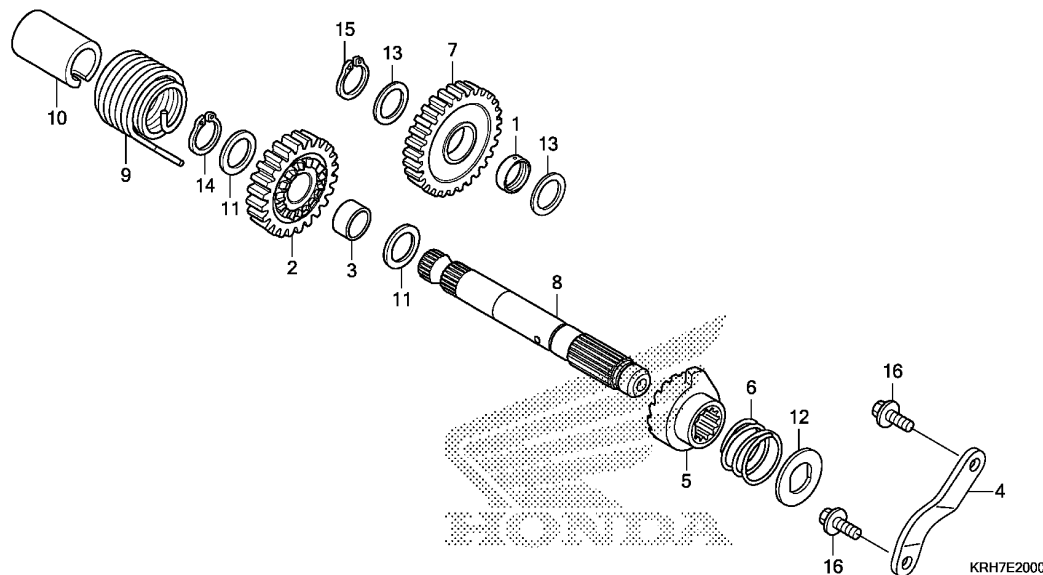
KRH7E1900

Ref. No.	Part No.	Description	Reqd. QTY						Serial No.	Parts catalogue code
			XR 125 LEK E	XR 125 LEK J	XL 125 LEK E	XR 150 LEK E	XR 150 LEK H	XR 150 LEK J		
1	24211-KTT-900	FORK, GEARSHIFT	2	2	2	2	2	2		
2	24212-KVX-600	FORK, CENTER GEARSHIFT	1	1	1	1	1	1		
3	24241-KRM-840	SHAFT A, GEARSHIFT FORK	1	1	1	1	1	1		
4	24242-KRM-840	SHAFT B, GEARSHIFT FORK	1	1	1	1	1	1		
5	24301-KRH-780	DRUM, GEARSHIFT	1	1	1	1	1	1		
6	24410-KTT-900	PLATE COMP., GEARSHIFT DRUM STOPPER	1	1	1	1	1	1		
7	24430-KRM-B10	STOPPER COMP., GEARSHIFT DRUM	1	1	1	1	1	1		
8	24436-KRM-840	SPRING, SHIFT DRUM STOPPER ..	1	1	1	1	1	1		
9	24610-KRM-840	SPINDLE COMP., GEARSHIFT	1	1	1	1	1	1		
10	24651-KRM-840	SPRING, GEARSHIFT RETURN	1	1	1	1	1	1		
11	24652-KRM-840	PIN, SHIFT RETURN SPRING	1	1	1	1	1	1		
12	35751-KPH-900	CAP, CHANGE SWITCH CONTACT ..	1	1	1	1	1	1		
13	35752-KRM-840	SPRING, CHANGE SWITCH CONTACT	1	1	1	1	1	1		
14	90003-KVS-900	BOLT, HEX., 6X20	1	1	1	1	1	1		
15	90022-KRM-840	PIVOT, SHIFT DRUM STOPPER ARM	1	1	1	1	1	1		
16	90417-KRM-840	WASHER, DRUM STOPPER	1	1	1	1	1	1		
17	90457-KRM-840	WASHER, 14MM	1	1	1	1	1	1		
18	94510-14000	CIRCLIP, EXTERNAL, 14MM	1	1	1	1	1	1		
19	96220-30085	ROLLER, 3X8.5	2	2	2	2	2	2		



E-20

KICK STARTER SPINDLE

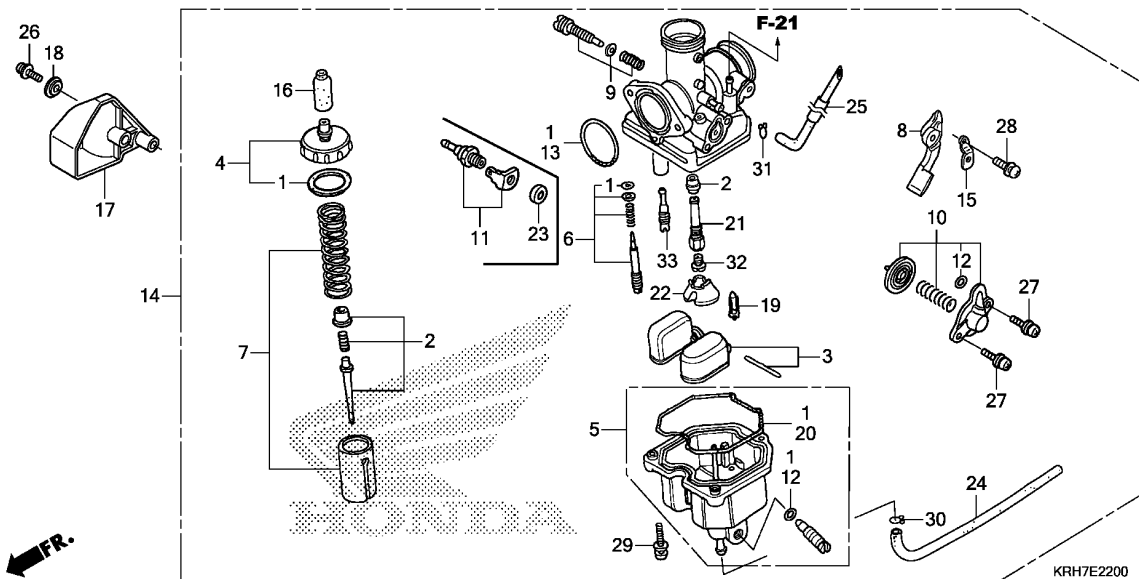


Ref. No.	L.O.N.	(Relative ref. Number) Description	F.R.T.
2	1121A0	PINION, KICK STARTER	0.7
5	1121A1	RATCHET, KICK(RECOIL) STARTER	0.7
7	612135	GEAR, STARTER IDLE	1.0
8	1121A2	SPINDLE, KICK STARTER	0.7
9	112103	SPRING, KICK STARTER RETURN ..	0.7

Ref. No.	Part No.	Description	Reqd. QTY						Serial No.	Parts catalogue code
			XR 125 LEK E	XR 125 LEK J	XL 125 LEK E	XR 150 LEK E	XR 150 LEK H	XR 150 LEK J		
1	23427-KRM-840	BUSH, 17X20.5X8.0	1	1	1	1	1	1		
2	28211-KVS-600	PINION, KICK STARTER(24T) ...	1	1	1	1	1	1		
3	28212-KVS-600	COLLAR, 18.5MM	1	1	1	1	1	1		
4	28215-KWK-900	PLATE, KICK STOPPER	1	1	1	1	1	1		
5	28221-KRM-840	RATCHET, STARTER	1	1	1	1	1	1		
6	28223-KRM-840	SPRING, RATCHET	1	1	1	1	1	1		
7	28231-KWK-900	GEAR, KICK STARTER IDLE(29T)	1	1	1	1	1	1		
8	28251-KWG-600	SPINDLE, KICK STARTER	1	1	1	1	1	1		
9	28261-KRM-840	SPRING, KICK RETURN	1	1	1	1	1	1		
10	28282-KRM-840	COLLAR, KICK SPRING	1	1	1	1	1	1		
11	90451-KRM-840	WASHER, THRUST, 16MM	2	2	2	2	2	2		
12	90455-KRM-840	WASHER, SPECIAL, 14MM	1	1	1	1	1	1		
13	90458-KVS-900	WASHER, THRUST, 17MM	2	2	2	2	2	2		
14	90602-KPT-900	CIRCLIP, EXTERNAL, 16MM	1	1	1	1	1	1		
	94510-16000	1	1	1	1	1	1		
15	90602-KRM-840	CIRCLIP, EXTERNAL, 17MM	1	1	1	1	1	1		
16	95701-06016-00	BOLT, FLANGE, 6X16	2	2	2	2	2	2		

E-22

CARBURETOR



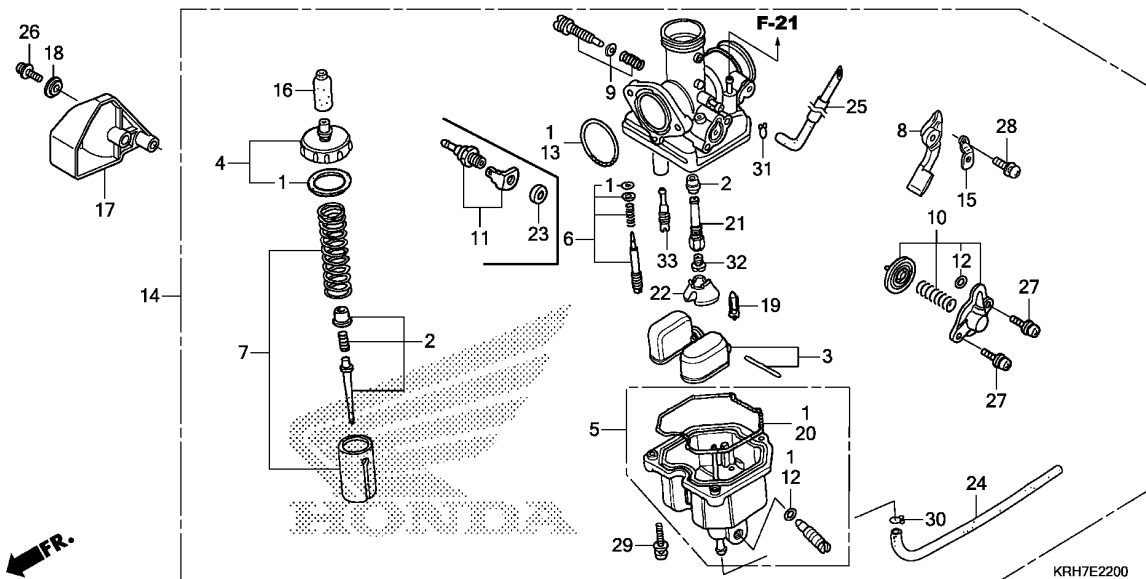
Ref. No.	L.O.N.	(Relative ref. Number) Description	F.R.T.
2	3111A3	NEEDLE, JET	0.6
3		(19)	
	311120	FLOAT OR FLOAT VALVE	0.5
4	3111A5	TOP SET, CARBURETOR	0.3
5	3111A6	CHAMBER, FLOAT	0.4
7	3111A8	VALVE, THROTTLE	0.4
8	3111F7	LEVER, CHOKE :CARBURETOR SIDE	0.1
10	3111B8	VALVE, AIR CUT	0.1
11	3111B4	HEATER, CARBURETOR	0.2
14	3111B5	CARBURETOR ASSEMBLY	0.5
32		(21,33)	
	3111D4	JET, MAIN	0.5

Ref. No.	Part No.	Description	Reqd. QTY						Serial No.	Parts catalogue code
			XR 125 LEK E	XR 125 LEK J	XL 125 LEK E	XR 150 LEK E	XR 150 LEK H	XR 150 LEK J		
1	16010-KCH-780	GASKET SET	1	1	1	1	1	1		
2	16012-KRH-A01	NEEDLE SET, JET	1	1	1	-	-	-		
	16012-KRH-651	-	-	-	1	1	-	-----	1LA,3LA,DK,NZ,SA
	16012-KRH-G11	-	-	-	-	-	1	-----	CL,PE
3	16013-KEH-900	FLOAT SET	1	1	1	1	1	1		
4	16014-KGA-901	TOP SET	1	1	1	1	1	1		
5	16015-KRG-003	CHAMBER SET, FLOAT	1	1	1	1	1	1		
6	16016-KRM-841	SCREW SET A	1	1	1	1	1	-		
	16016-KRE-901	-	-	-	-	-	1	-----	1LA,3LA,DK,NZ,SA
	16016-KRE-901	-	-	-	-	-	1	-----	CL,PE
7	16022-KRH-781	VALVE SET, THROTTLE	1	1	1	1	1	1		
8	16025-KRF-B41	LEVER SET, CHOKE	1	1	1	1	1	1		
9	16028-KEH-900	SCREW SET B	1	1	1	1	1	1		
10	16048-KRH-A01	VALVE SET, AIR CUT	1	1	1	1	1	-		
		-	-	-	-	-	1	-----	1LA,3LA,DK,NZ,SA
11	16070-KRH-901	HEATER ASSY.	1	1	1	-	-	-	-----	2SA,SA
	16070-KRH-681	-	-	-	1	1	1	-----	1LA,AG,NZ,SA
	16070-KRH-901	-	-	-	-	-	1	-----	CL
12	16075-GHB-640	O-RING, 1.3X4.3	2	2	2	2	2	-		
		-	-	-	-	-	2	-----	1LA,3LA,DK,NZ,SA
		-	-	-	-	-	1	-----	CL,PE
13	16075-GHB-B70	O-RING, 2.4X29	1	1	1	1	1	1		
14	16100-KRH-A02	CARBURETOR ASSY.(PDN2H A) ...	1	1	1	-	-	-	-----	2SA,SA
	16100-KRH-A12	CARBURETOR ASSY.(PDN2J A) ...	1	1	-	-	-	-	-----	3LA,DK
	16100-KRH-681	CARBURETOR ASSY.(PDN2P A) ...	-	-	-	1	1	1	-----	1LA,AG,NZ,SA



E-22

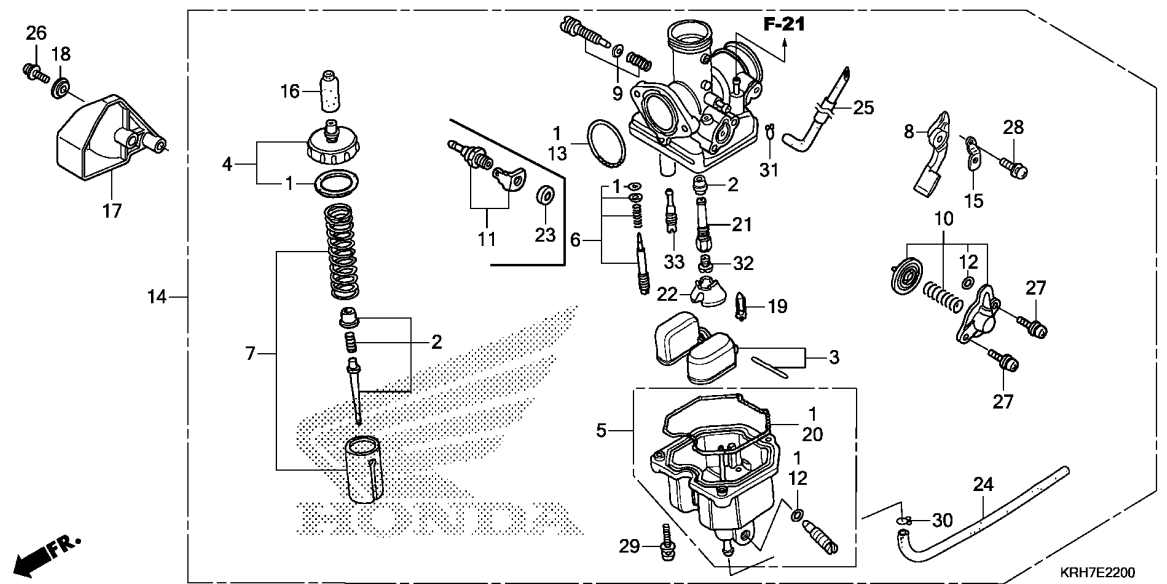
CARBURETOR



Ref. No.	Part No.	Description	Reqd. QTY						Serial No.	Parts catalogue code
			XR 125 LEK E	XR 125 LEK J	XL 125 LEK E	XR 150 LEK E	XR 150 LEK H	XR 150 LEK J		
14)	16100-KRH-651	CARBURETOR ASSY.(PDN2M A) ...	-	-	-	1	1	-	3LA,DK,PE	
	16100-KRH-671	CARBURETOR ASSY.(PDN2N A) ...	-	-	-	1	1	-	CO,MX	
	16100-KRH-651	CARBURETOR ASSY.(PDN2M A) ...	-	-	-	-	-	1	3LA,DK	
	16100-KRH-G21	CARBURETOR ASSY.(N2R A)	-	-	-	-	-	1	CL	
	16100-KRH-G11	CARBURETOR ASSY.(N2Q A)	-	-	-	-	-	1	PE	
15	16119-KRF-B41	PLATE, SETTING	1	1	1	1	1	1		
16	16148-KB1-921	CAP, CABLE SEALING	1	1	1	1	1	1		
17	16151-KRH-950	COVER, CARBURETOR HEATER	1	1	1	1	1	1	1LA,2SA,AG,CL,NZ,SA	
18	16152-KRH-900	COLLAR, CARBURETOR HEATER COVER	1	1	1	1	1	1	1LA,2SA,AG,CL,NZ,SA	
19	16155-KFR-701	VALVE COMP., FLOAT	1	1	1	1	1	1		
20	16163-KCS-920	GASKET, FLOAT CHAMBER	1	1	1	1	1	1		
21	16165-KRH-782	HOLDER, NEEDLE JET	1	1	1	-	-	-		
	16165-KRH-651	-	-	-	-	1	1	1LA,3LA,DK,NZ,SA	
	16165-KRH-G11	-	-	-	-	-	1	CL,PE	
22	16168-382-014	HOLDER, JET	1	1	1	1	1	1		
23	16172-KCP-J01	COLLAR, SETTING	1	1	1	1	1	1	1LA,2SA,AG,CL,NZ,SA	
24	16198-KRE-901	TUBE	1	1	1	1	1	1		
25	16199-KRH-781	TUBE COMP., AIR VENT	1	1	1	1	1	1		
26	90001-KGA-E00	SCREW-WASHER, 4X12	1	1	1	1	1	1	1LA,2SA,AG,CL,NZ,SA	
27	93892-04010-10	SCREW-WASHER, 4X10	2	2	2	2	2	-		
			-	-	-	-	-	2	1LA,3LA,DK,NZ,SA	
28	93892-04010-18	SCREW-WASHER, 4X10	1	1	1	1	1	1		
29	93892-04016-08	SCREW-WASHER, 4X16	3	3	3	3	3	3		

E-22

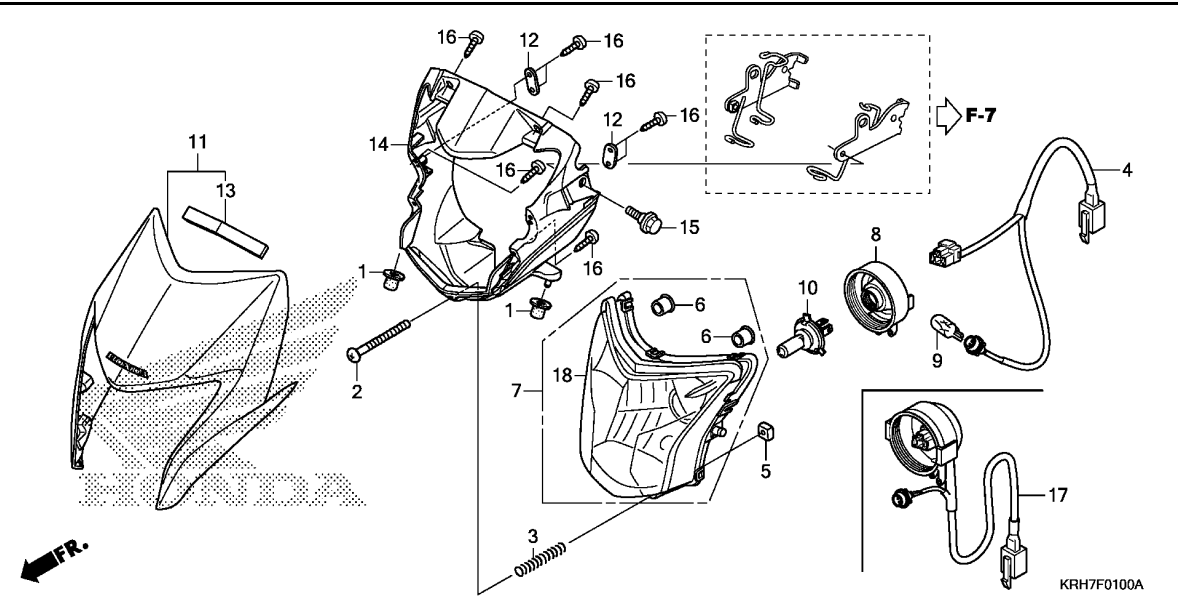
CARBURETOR



Ref. No.	Part No.	Description	Reqd. QTY						Serial No.	Parts catalogue code
			XR 125 LEK E	XR 125 LEK J	XL 125 LEK E	XR 150 LEK E	XR 150 LEK H	XR 150 LEK J		
30	95002-02079	CLIP, TUBE(B7)	1	1	1	1	1	1		
31	95002-02089	CLIP, TUBE(B1 8)	1	1	1	1	1	1		
32	99101-GHB-1000	JET, MAIN, #100	1	1	1	-	-	-		
	99101-GHB-1050	JET, MAIN, #105	-	-	-	1	1	1	-----	1LA,3LA,AG,CL,DK,NZ,PE,SA
	99101-GHB-1020	JET, MAIN, #102	-	-	-	1	1	1	-----	CO,MX
33	99103-KRH-0350	JET COMP.(#35X#35)	1	1	1	1	1	-		
	99112-KEG-0380	JET, SLOW, #38X#38	-	-	-	-	-	1	-----	1LA,3LA,DK,NZ,SA
			-	-	-	-	-	1	-----	CL,PE

F-1

HEADLIGHT



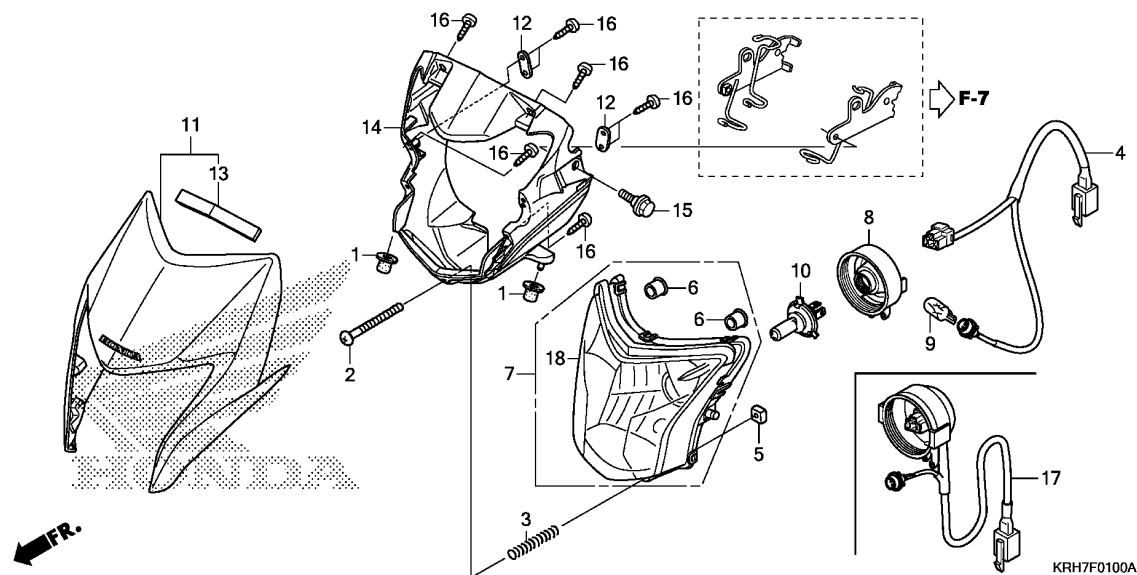
Ref. No.	L.O.N.	(Relative ref. Number) Description	F.R.T.
4		(17)	
6161B1		SOCKET, HEADLIGHT	0.1
7		(18)	
6161A7		HEADLIGHT UNIT	0.2
9	616182	BULB, POSITION LIGHT	0.1
10	616118	BULB, HEADLIGHT	0.1
11	4111L3	COWL, FRONT CENTER	0.2
14	4111R9	INNER, FRONT VISOR	0.2

3

Ref. No.	Part No.	Description	Reqd. QTY						Serial No.	Parts catalogue code
			XR 125 LEK E	XR 125 LEK J	XL 125 LEK E	XR 150 LEK E	XR 150 LEK H	XR 150 LEK J		
1	19113-MB1-870	RUBBER, RADIATOR MOUNTING ...	2	2	2	2	2	2		
2	33103-KRH-660	SCREW, PAN, 4X60	1	1	1	1	1	1		
3	33107-KRE-E30	SPRING, BEAM ADJUST	1	1	1	1	1	1		
4	33110-KRH-601	SOCKET COMP., HEADLIGHT	1	1	1	1	1	1	-----	1LA,2SA,3LA,AG,CL,DK,MX,PE,SA
	33110-KRH-631	-	-	-	1	1	1	-----	NZ
5	33117-KBR-730	NUT, BEAM ADJUSTING	1	1	1	1	1	1		
6	33117-KYY-901	CAP, SPECIAL	2	2	2	2	2	2	-----	1LA,2SA,3LA,AG,CL,DK,MX,NZ,PE,SA
7	33120-KRH-601	HEADLIGHT UNIT	1	1	1	1	1	1	-----	1LA,2SA,3LA,AG,CL,DK,MX,NZ,PE,SA
8	33122-KRH-601	COVER, SOCKET	1	1	1	1	1	1	-----	1LA,2SA,3LA,AG,CL,DK,MX,NZ,PE,SA
9	33301-KVJ-911	BULB, POSITION LIGHT(12V 5W)	1	1	1	1	1	1	-----	1LA,2SA,3LA,AG,CL,DK,MX,PE,SA
	33301-KRH-631	BULB, POSITION LIGHT(12V W5W)	-	-	-	1	1	1	-----	NZ
	34903-KRH-671	BULB, POSITION LIGHT(W5W) ...	-	-	-	1	-	-	-----	CO
10	34901-KVC-D01	BULB, HEADLIGHT(12V 35/35W) -	1	1	1	1	1	1	-----	1LA,2SA,3LA,AG,CL,DK,MX,PE,SA
	34901-KRH-631	-	-	-	1	1	1	-----	NZ
	34901-KRH-671	BULB, HEADLIGHT(12V 35/35W) (OSRAM)	-	-	-	1	-	-	-----	CO
11	61300-KRH-660ZA	VISOR SET, FR.(WL)								
	TYPE1	1	-	1	1	-	-		
	61300-K79-E00ZA	*TYPE2*	-	1	-	-	-	1		
	61300-K79-E00ZB	*TYPE1*	-	1	-	-	-	1		
	61300-KRH-H10ZB	*TYPE1 1*	-	-	-	-	1	-		
12	61302-KPY-970	PLATE, HEADLIGHT UNIT	2	2	2	2	2	2		
13	61302-KRH-660	CUSHION, VISOR	1	1	1	1	1	1		
14	61305-KRE-E30	INNER, FR. VISOR	1	1	1	1	1	1		
15	90116-KRH-900	BOLT, FLANGE, 6MM	2	2	2	2	2	2		

F-1

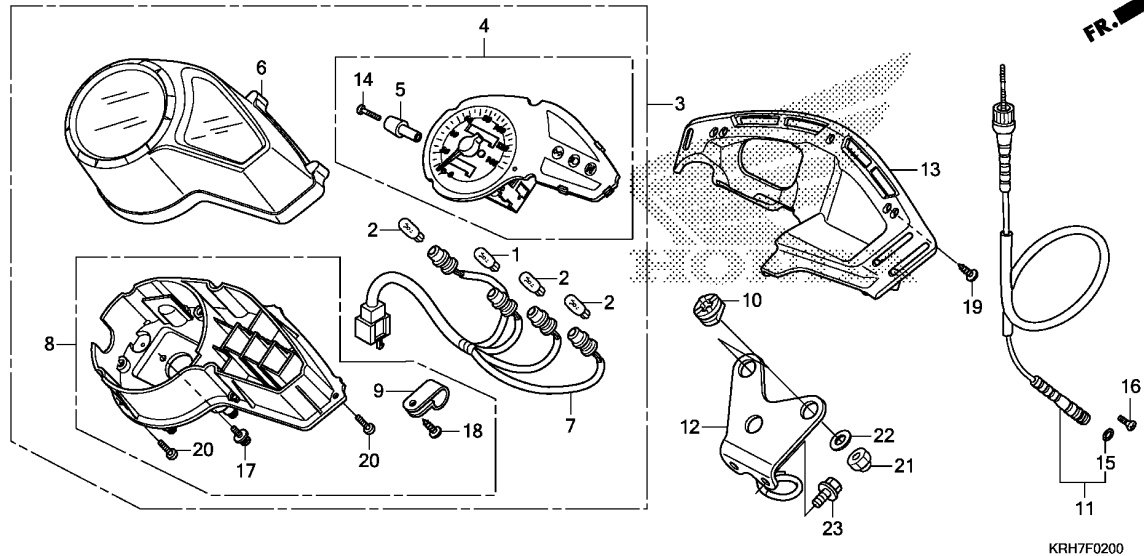
HEADLIGHT



Ref. No.	Part No.	Description	Reqd. QTY						Serial No.	Parts catalogue code
			XR 125	XR 125	XL 125	XR 150	XR 150	XR 150		
16	93913-24220	SCREW, TAPPING, 4X12	10	10	10	10	10	10		
17	33110-KRH-671	SOCKET COMP., HEADLIGHT	-	-	-	1	-	-	-----	C0
18	33120-KRH-671	HEADLIGHT UNIT	-	-	-	1	-	-	-----	C0

F-2

METER



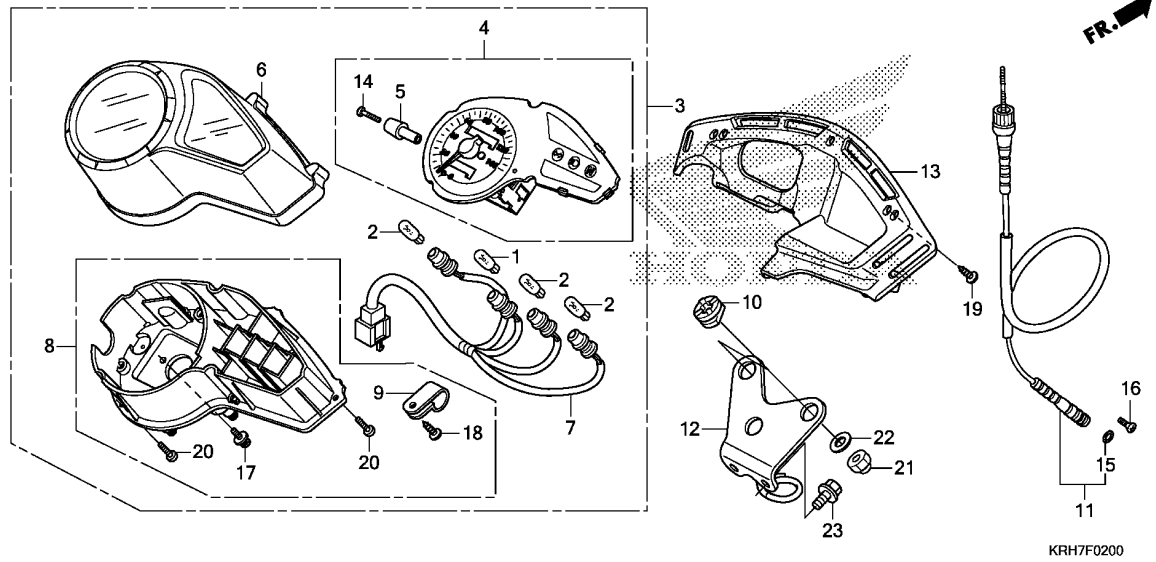
Ref. No.	L.O.N.	(Relative ref. Number) Description	F.R.T.
3	8121A1	METER ASSY., COMBINATION	0.3
4	8121H1	SPEEDOMETER	0.4
6	8121B4	CASE, METER :UPPER	0.3
7	6161G4	SOCKET ASSY., METER BULB	0.3
8	8121B5	CASE, METER :LOWER	0.4
11	811160	CABLE, SPEEDOMETER	0.2

3

Ref. No.	Part No.	Description	Reqd. QTY						Serial No.	Parts catalogue code
			XR 125 LEK E	XR 125 LEK J	XL 125 LEK E	XR 150 LEK E	XR 150 LEK H	XR 150 LEK J		
1	34908-KVJ-911	BULB, WEDGE BASE(T10) (12V 3.4W)	1	1	1	1	1	1		
2	34910-GFM-901	BULB, WEDGE BASE(T10) (12V 1.7W)	3	3	3	3	3	3		
3	37100-KRH-601	METER ASSY., COMBINATION(KPH)	1	1	1	1	1	1		
4	37210-KRH-601	SPEEDOMETER COMP.	1	1	1	1	1	1		
5	37213-KRH-901	KNOB, TRIP	1	1	1	1	1	1		
6	37220-KRH-601	CASE ASSY., UPPER	1	1	1	1	1	1		
7	37224-KRH-601	SOCKET COMP.	1	1	1	1	1	1		
8	37230-KRH-601	CASE ASSY., UNDER	1	1	1	1	1	1		
9	37233-KRH-901	CLAMP	1	1	1	1	1	1		
10	37243-MG2-000	RUBBER, SPEEDOMETER MOUNTING	3	3	3	3	3	3		
11	44830-KRH-900	CABLE ASSY., SPEEDOMETER	1	-	-	1	1	-		
	44830-K79-E01	-	1	-	-	-	1		
	44830-KRH-780	-	-	1	-	-	-		
12	61317-KRH-660	STAY, SPEEDOMETER	1	1	1	1	1	1		
13	61318-KRH-660	STAY, COUPLER	1	1	1	1	1	1		
14	90158-KCJ-710	SCREW, PAN, 2X6	1	1	1	1	1	1		
15	91256-KK3-840	O-RING, 10X1.5	1	1	1	1	1	1		
16	93700-05018-1A	SCREW, OVAL, 5X18	1	1	-	1	1	1		
17	93893-04010-08	SCREW-WASHER, 4X10	2	2	2	2	2	2		
18	93913-24220	SCREW, TAPPING, 4X12	1	1	1	1	1	1		
19	93913-24320	SCREW, TAPPING, 4X14	3	3	3	3	3	3		
20	93913-24420	SCREW, TAPPING, 4X16(PO)	5	5	5	5	5	5		

F-2

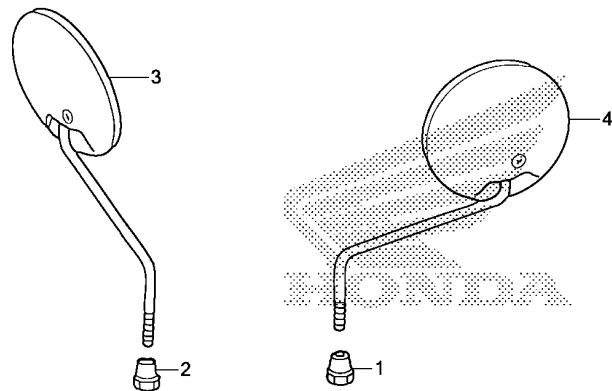
METER



Ref. No.	Part No.	Description	Reqd. QTY						Serial No.	Parts catalogue code
			XR 125	XR 125 LEK	XL 125 LEK	XR 150 LEK	XR 150 LEK	XR 150 LEK		
21	94021-06000-0S	NUT, CAP, 6MM	3	3	3	3	3	3		
22	94103-06000	WASHER, PLAIN, 6MM	3	3	3	3	3	3		
23	95701-06012-00	BOLT, FLANGE, 6X12	2	2	2	2	2	2		

F-3

MIRROR



FR.

KRH7F0300

Ref. L.O.N. (Relative ref. Number) F.R.T.
No. Description

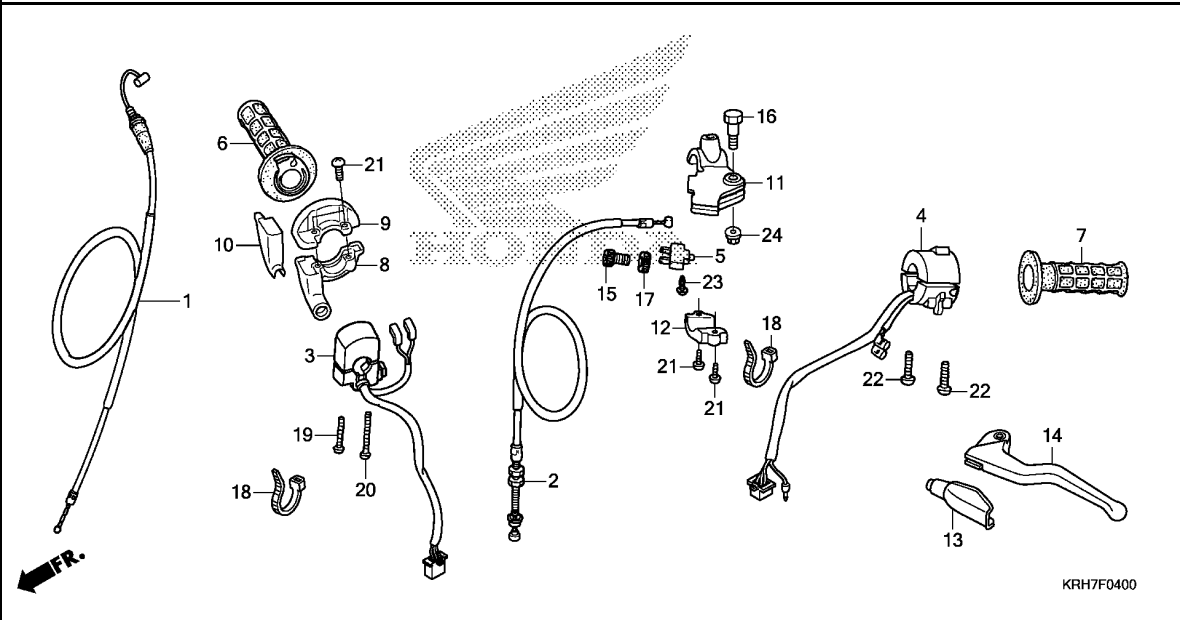
NO INFORMATION

3

Ref. No.	Part No.	Description	Reqd. QTY						Serial No.	Parts catalogue code
			XR 125 LEK E	XR 125 LEK J	XL 125 LEK E	XR 150 LEK E	XR 150 LEK H	XR 150 LEK J		
1	88111-KRH-901	NUT, LOCK(LH) (RIGHT HAND THREAD)	1	1	1	1	1	1		
2	88112-KRH-901	NUT, LOCK(RH) (LEFT HAND THREAD)	1	1	1	1	1	1		
3	88210-KRH-900	MIRROR COMP., R.	1	1	-	1	1	1		
	88210-KRH-780	-	-	1	-	-	-		
4	88220-KRH-900	MIRROR COMP., L.	1	1	-	1	1	1		
	88220-KRH-780	-	-	1	-	-	-		

F-4

HANDLE LEVER/SWITCH/CABLE(DISK BRAKE)



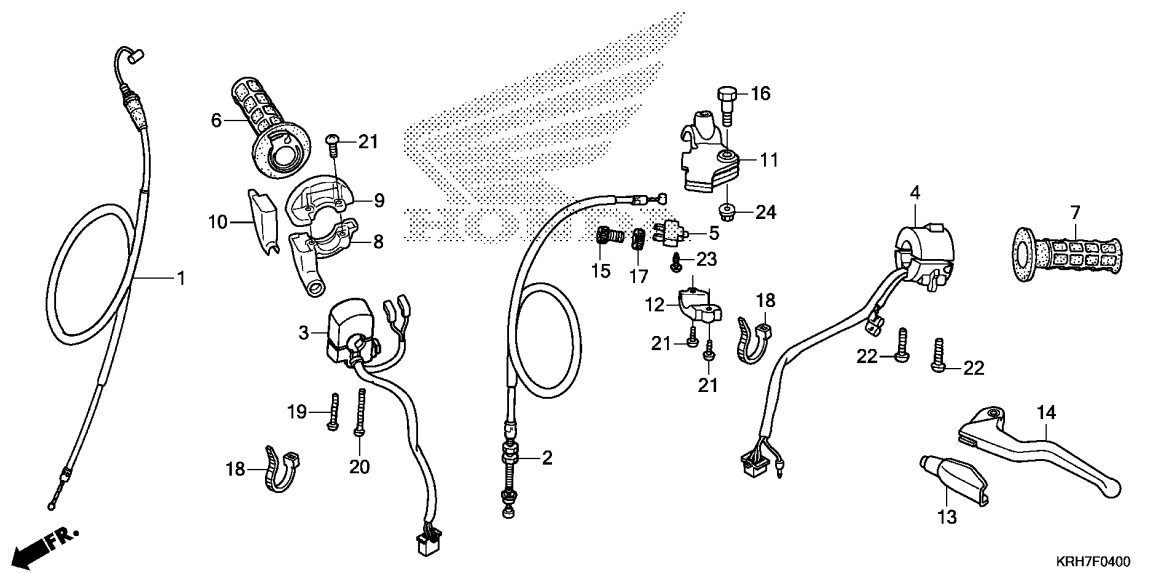
Ref. No.	L.O.N.	(Relative ref. Number) Description	F.R.T.
1	811100	CABLE, THROTTLE	0.3
2	811115	CABLE, CLUTCH	0.2
3	615120	SWITCH, STARTER KILL	0.2
4	615118	SWITCH, WINKER	0.4
5	6151A9	SWITCH, CLUTCH	0.1
6	810150	GRIP, THROTTLE	0.1
7	8101C0	GRIP, HANDLE :LEFT	0.1
8	810155	HOUSING, THROTTLE	0.1
11	8101C8	BRACKET, HANDLE LEVER :LEFT ..	0.2
14	8101C6	LEVER, HANDLE :LEFT	0.1
	8101F5	LEVER, HANDLE :BOTH	0.2

Ref. No.	Part No.	Description	Reqd. QTY						Serial No.	Parts catalogue code
			XR 125 LEK E	XR 125 LEK J	XL 125 LEK E	XR 150 LEK E	XR 150 LEK H	XR 150 LEK J		
1	17910-KRH-A00	CABLE COMP., THROTTLE	1	1	-	1	1	1		
2	22870-KRH-780	CABLE COMP., CLUTCH	1	1	-	1	1	1		
3	35131-KRH-601	SWITCH COMP., START	1	1	-	1	1	1	----- 1LA,3LA,AG,CL,CO,DK,MX,PE,SA	
	35131-KRH-631	-	-	-	1	1	1	----- NZ	
4	35201-KRH-601	SWITCH COMP., WINKER	1	1	-	1	1	1		
5	35330-KRH-901	SWITCH ASSY., CLUTCH	1	1	-	1	1	1		
6	53140-KB9-752	GRIP ASSY., THROTTLE	1	1	-	1	1	1		
7	53166-MK5-010	GRIP, L. HANDLE	1	1	-	1	1	1		
8	53167-KRH-920	HOUSING, UPPER THROTTLE			-	1	1	1		
	(LOWER)		1	1	-	1	1	1		
9	53168-KRH-920	HOUSING, LOWER THROTTLE			-	1	1	1		
	(UPPER)		1	1	-	1	1	1		
10	53169-KRH-900	SLIDER, THROTTLE	1	1	-	1	1	1		
11	53172-KRH-900	BRACKET, L. HANDLE LEVER	1	1	-	1	1	1		
12	53174-KRH-900	HOLDER, L. LEVER BRACKET	1	1	-	1	1	1		
13	53177-KRH-900	COVER, L. HANDLE LEVER	1	1	-	1	1	1		
14	53178-KRH-900	LEVER, L. STEERING HANDLE ...	1	1	-	1	1	1		
15	53192-KRH-900	BOLT, WIRE ADJUSTING	1	1	-	1	1	1		
16	90113-KRH-900	BOLT, HANDLE LEVER PIVOT	1	1	-	1	1	1		
17	90322-KRH-900	NUT, FIXING	1	1	-	1	1	1		
18	90650-KW3-000	BAND, WIRE	2	2	-	2	2	2		
19	93500-04032-0G	SCREW, PAN, 4X32	1	1	-	1	1	1		
20	93500-04045-0G	SCREW, PAN, 4X45	1	1	-	1	1	1		
21	93500-05016-0G	SCREW, PAN, 5X16	4	4	-	4	4	4		



F-4

HANDLE LEVER/SWITCH/CABLE(DISK BRAKE)

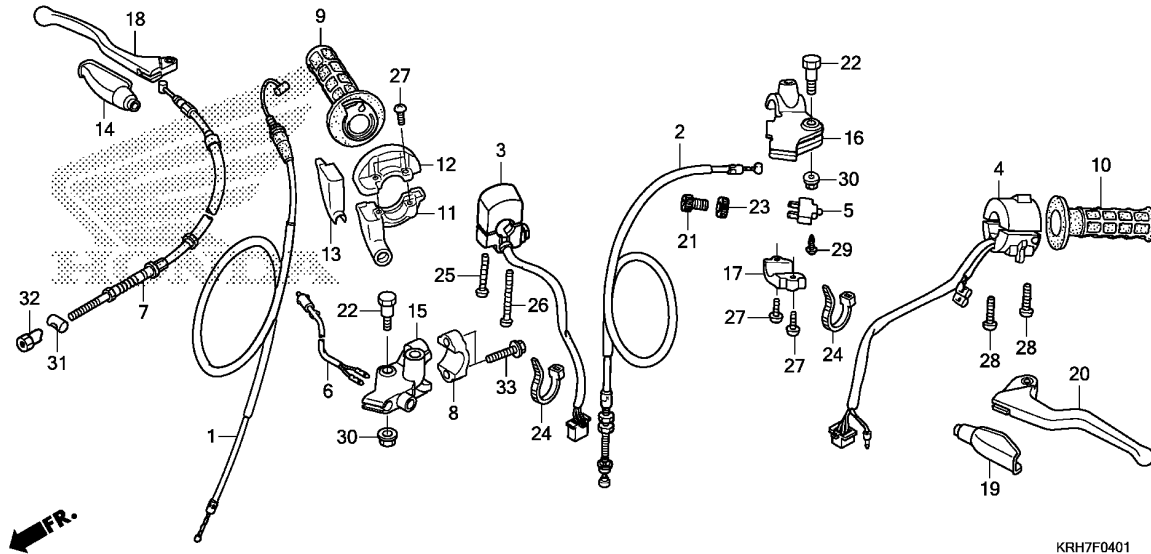


Ref. No.	Part No.	Description	Reqd. QTY						Serial No.	Parts catalogue code
			XR 125 LEK E	XR 125 LEK J	XL 125 LEK E	XR 150 LEK E	XR 150 LEK H	XR 150 LEK J		
22	93500-05020-0G	SCREW, PAN, 5X20	2	2	-	2	2	2		
23	93901-32320	SCREW, TAPPING, 3X12	1	1	-	1	1	1		
24	94050-06000	NUT, FLANGE, 6MM	1	1	-	1	1	1		

3

F-4-1

HANDLE LEVER/SWITCH/CABLE(DRUM BRAKE)

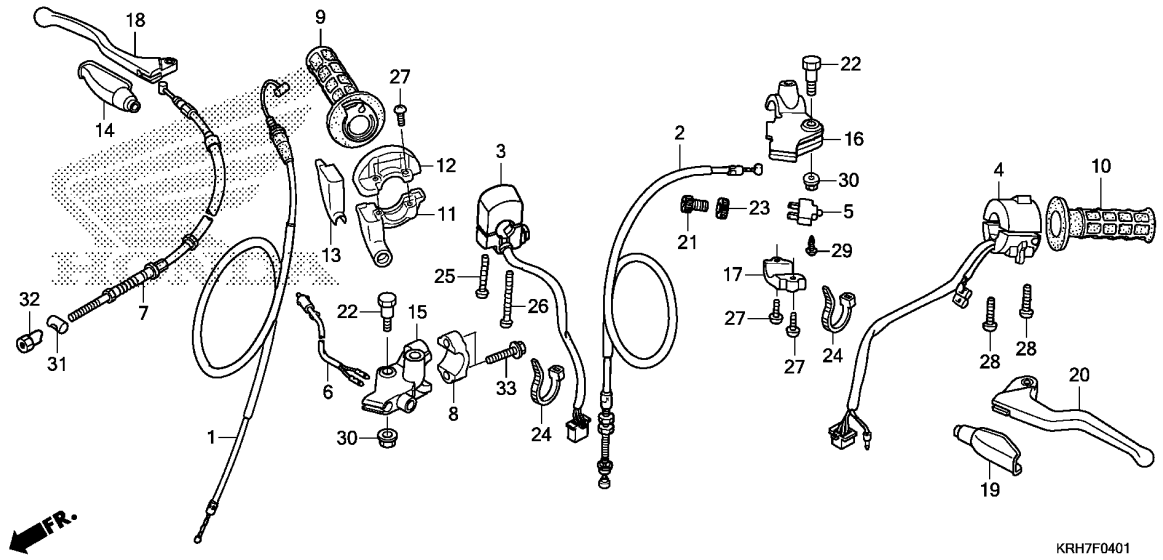


Ref. No.	L.O.N.	(Relative ref. Number) Description	F.R.T.
1	811100	CABLE, THROTTLE	0.3
2	811115	CABLE, CLUTCH	0.2
3	615120	SWITCH, STARTER KILL	0.2
4	615118	SWITCH, WINKER	0.4
5	6151A9	SWITCH, CLUTCH	0.1
6	6151B2	SWITCH, FRONT STOP	0.3
7	811125	CABLE, FRONT BRAKE	0.2
9	810150	GRIP, THROTTLE	0.1
10	8101C0	GRIP, HANDLE :LEFT	0.1
11	810155	HOUSING, THROTTLE	0.1
15	8101C9	BRACKET, HANDLE LEVER :RIGHT ..	0.2
16	8101C8	BRACKET, HANDLE LEVER :LEFT ..	0.2
18	8101C7	LEVER, HANDLE :RIGHT	0.1
20	8101C6	LEVER, HANDLE :LEFT	0.1
	8101F5	LEVER, HANDLE :BOTH	0.2

Ref. No.	Part No.	Description	Reqd. QTY						Serial No.	Parts catalogue code
			XR 125 LEK E	XR 125 LEK J	XL 125 LEK E	XR 150 LEK E	XR 150 LEK H	XR 150 LEK J		
1	17910-KRH-780	CABLE COMP., THROTTLE	-	-	1	-	-	-		
2	22870-KRH-780	CABLE COMP., CLUTCH	-	-	1	-	-	-		
3	35131-KRH-641	SWITCH COMP., START	-	-	1	-	-	-		
4	35201-KRH-601	SWITCH COMP., WINKER	-	-	1	-	-	-		
5	35330-KRH-901	SWITCH ASSY., CLUTCH	-	-	1	-	-	-		
6	35340-KRH-641	SWITCH ASSY., FR. STOP	-	-	1	-	-	-		
7	45450-KRH-781	CABLE COMP., FR. BRAKE	-	-	1	-	-	-		
8	45517-KCS-W60	HOLDER, MASTER CYLINDER	-	-	1	-	-	-		
9	53140-KB9-752	GRIP ASSY., THROTTLE	-	-	1	-	-	-		
10	53166-MK5-010	GRIP, L. HANDLE	-	-	1	-	-	-		
11	53167-KRH-920	HOUSING, UPPER THROTTLE	-	-	1	-	-	-		
12	53168-KRH-920	HOUSING, LOWER THROTTLE	-	-	1	-	-	-		
13	53169-KRH-900	SLIDER, THROTTLE	-	-	1	-	-	-		
14	53171-402-700	COVER, R. HANDLE LEVER	-	-	1	-	-	-		
15	53171-KRH-780	BRACKET, R. HANDLE LEVER	-	-	1	-	-	-		
16	53172-KRH-900	BRACKET, L. HANDLE LEVER	-	-	1	-	-	-		
17	53174-KRH-900	HOLDER, L. LEVER BRACKET	-	-	1	-	-	-		
18	53175-KRH-780	LEVER, R. STEERING HANDLE	-	-	1	-	-	-		
19	53177-KRH-900	COVER, L. HANDLE LEVER	-	-	1	-	-	-		
20	53178-KRH-900	LEVER, L. STEERING HANDLE	-	-	1	-	-	-		
21	53192-KRH-900	BOLT, WIRE ADJUSTING	-	-	1	-	-	-		
22	90113-KRH-900	BOLT, HANDLE LEVER PIVOT	-	-	2	-	-	-		

F-4-1

HANDLE LEVER/SWITCH/CABLE(DRUM BRAKE)

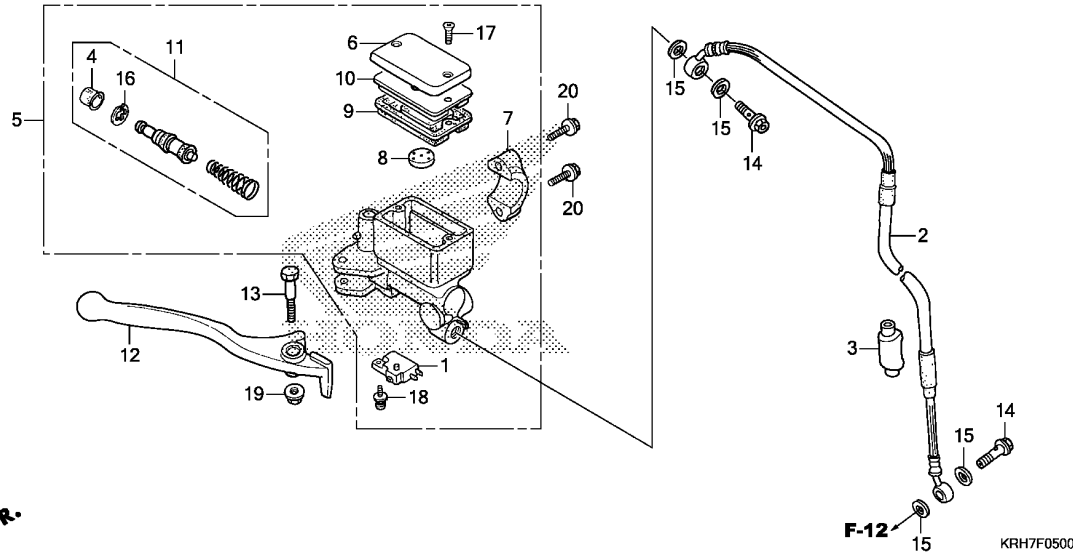


Ref. No.	Part No.	Description	Reqd. QTY						Serial No.	Parts catalogue code
			XR 125 LEK E	XR 125 LEK J	XL 125 LEK E	XR 150 LEK E	XR 150 LEK H	XR 150 LEK J		
23	90322-KRH-900	NUT, FIXING	-	-	1	-	-	-		
24	90650-KW3-000	BAND, WIRE	-	-	2	-	-	-		
25	93500-04032-0G	SCREW, PAN, 4X32	-	-	1	-	-	-		
26	93500-04045-0G	SCREW, PAN, 4X45	-	-	1	-	-	-		
27	93500-05016-0G	SCREW, PAN, 5X16	-	-	4	-	-	-		
28	93500-05020-0G	SCREW, PAN, 5X20	-	-	2	-	-	-		
29	93901-32320	SCREW, TAPPING, 3X12	-	-	1	-	-	-		
30	94050-06000	NUT, FLANGE, 6MM	-	-	2	-	-	-		
31	95015-32001	JOINT B, BRAKE ARM	-	-	1	-	-	-		
32	95015-42000	NUT B, BRAKE ROD ADJUSTING ..	-	-	1	-	-	-		
33	95701-06022-07	BOLT, FLANGE, 6X22	-	-	2	-	-	-		

3

F-5

FRONT BRAKE MASTER CYLINDER



Ref. No.	L.O.N.	(Relative ref. Number) Description	F.R.T.
1	6151B2	SWITCH, FRONT STOP	0.1
2	7121A0	HOSE, FRONT BRAKE	0.4
		.INCLUDES: Bleed brakes	
5	712105	CYLINDER, FRONT BRAKE MASTER .	0.4
		.INCLUDES: Bleed brakes	
9	7121G6	DIAPHRAGM, FRONT BRAKE MASTER	
		CYLINDER	0.1
11	7121G9	PISTON SET, FRONT BRAKE MASTER	
		.INCLUDES: Bleed brakes	0.4
12	8101C7	LEVER, HANDLE :RIGHT	0.1
	8101F5	LEVER, HANDLE :BOTH	0.2

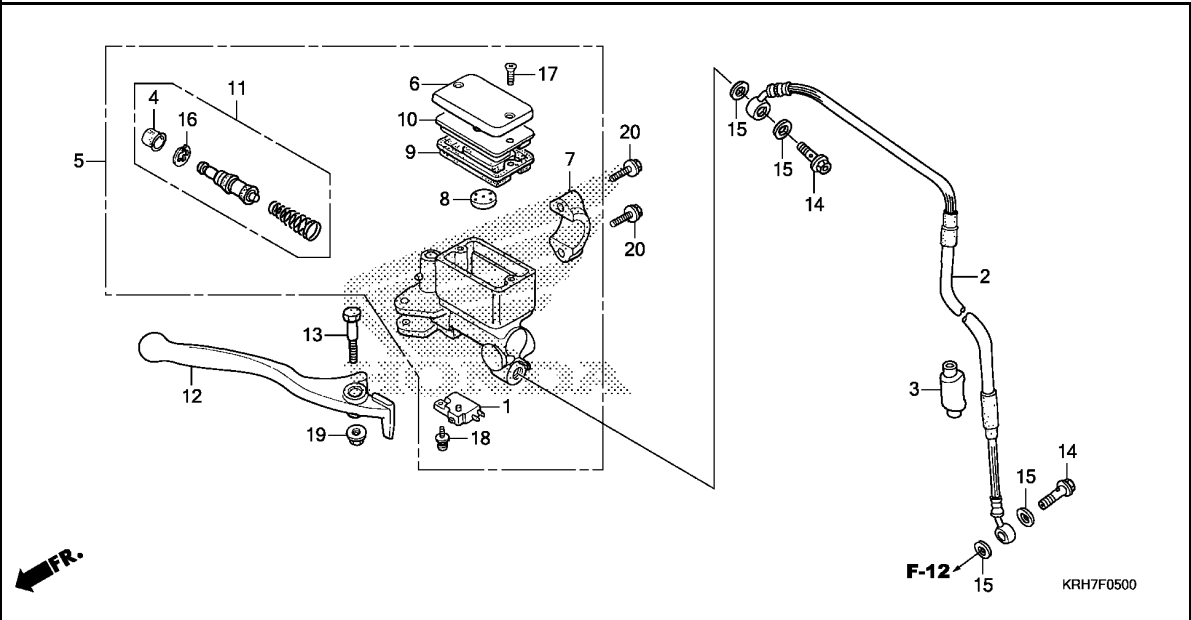
FR.

F-12 KRH7F0500

Ref. No.	Part No.	Description	Reqd. QTY						Serial No.	Parts catalogue code
			XR 125 LEK E	XR 125 LEK J	XL 125 LEK E	XR 150 LEK E	XR 150 LEK H	XR 150 LEK J		
1	35340-MM5-600	SWITCH ASSY., FR. STOP	1	-	-	1	-	-	-----	1LA,3LA,DK,SA
	35340-MM5-601	-	1	-	-	-	-	-----	NZ
	35340-MGS-D31	-	-	-	1	1	1	-----	AG,CO,MX,PE
	35340-MM5-601	-	-	-	1	1	1	-----	1LA,3LA,AG,CL,DK,MX,PE,SA
2	45125-KRE-921	HOSE COMP., FR. BRAKE	1	-	-	1	1	-	-----	
	45125-K79-E01	-	1	-	-	-	1	-----	
3	45463-KRH-D00	COVER, BRAKE HOSE CLAMPER ...	1	-	-	1	1	-	-----	
4	45504-410-003	BOOT COMP.	1	1	-	1	1	1	-----	
5	45510-KRH-901	CYLINDER SUB ASSY., FR. BRAKE								
		MASTER(NISSIN)	1	1	-	1	1	1	-----	1LA,3LA,AG,CL,CO,DK,MX,PE,SA
	45510-KRH-631	CYLINDER SUB ASSY., FR. BRAKE								
		MASTER	-	-	-	1	1	1	-----	NZ
6	45513-HA2-006	CAP, MASTER CYLINDER	1	1	-	1	1	1	-----	
7	45517-166-006	HOLDER, MASTER CYLINDER	1	1	-	1	1	1	-----	
8	45518-MG3-016	SEPARATOR COMP.	1	1	-	1	1	1	-----	
9	45520-MG7-006	DIAPHRAGM	1	1	-	1	1	1	-----	
10	45521-HA2-006	PLATE, DIAPHRAGM	1	1	-	1	1	1	-----	
11	45530-KRH-305	CYLINDER SET, MASTER	1	1	-	1	1	1	-----	
12	53175-KRH-901	LEVER, R. STEERING HANDLE ...	1	1	-	1	1	1	-----	
13	90114-166-006	BOLT, HANDLE LEVER PIVOT ...	1	1	-	1	1	1	-----	
14	90145-KRH-901	BOLT, OIL, 10X22	2	2	-	2	2	2	-----	
15	90545-300-000	WASHER, OIL BOLT	4	4	-	4	4	4	-----	
16	90651-MA5-671	CIRCLIP	1	1	-	1	1	1	-----	
17	93600-04012-1G	SCREW, FLAT, 4X12	2	2	-	2	2	2	-----	

F-5

FRONT BRAKE MASTER CYLINDER



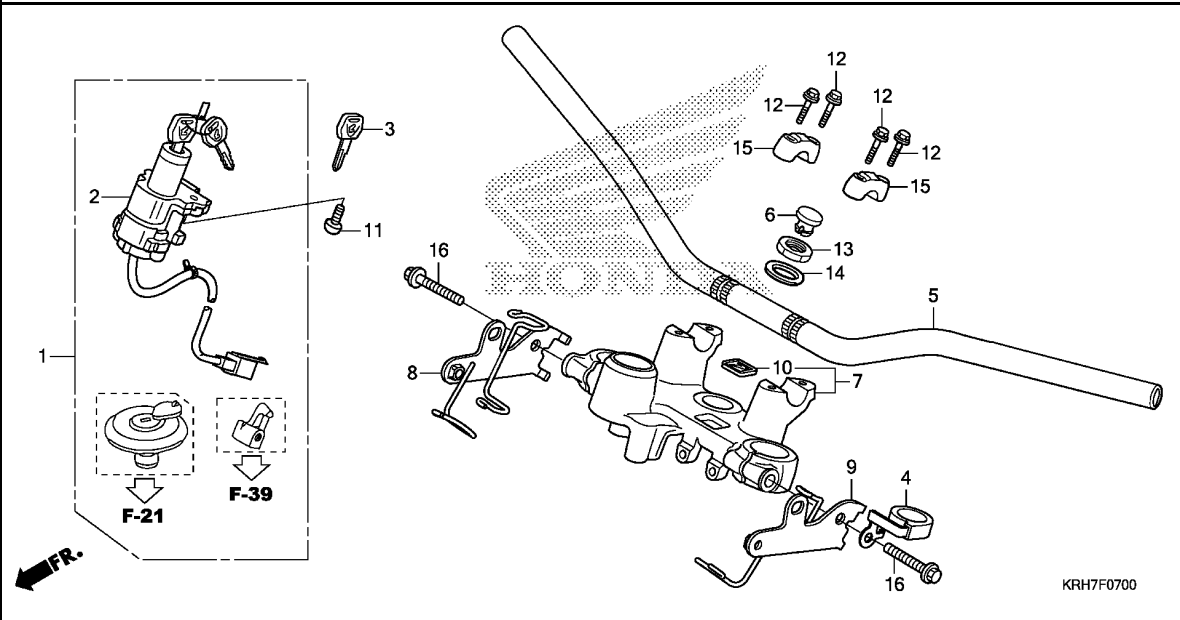
Ref. No.	Part No.	Description	Reqd. QTY						Serial No.	Parts catalogue code
			XR 125 LEK E	XR 125 LEK J	XL 125 LEK E	XR 150 LEK E	XR 150 LEK H	XR 150 LEK J		

18	93893-04012-17	SCREW-WASHER, 4X12	1	1	-	1	1	1	
19	94050-06000	NUT, FLANGE, 6MM	1	1	-	1	1	1	
20	96001-06022-00	BOLT, FLANGE, 6X22	2	2	-	2	2	2	

3

F-7

HANDLE PIPE/TOP BRIDGE



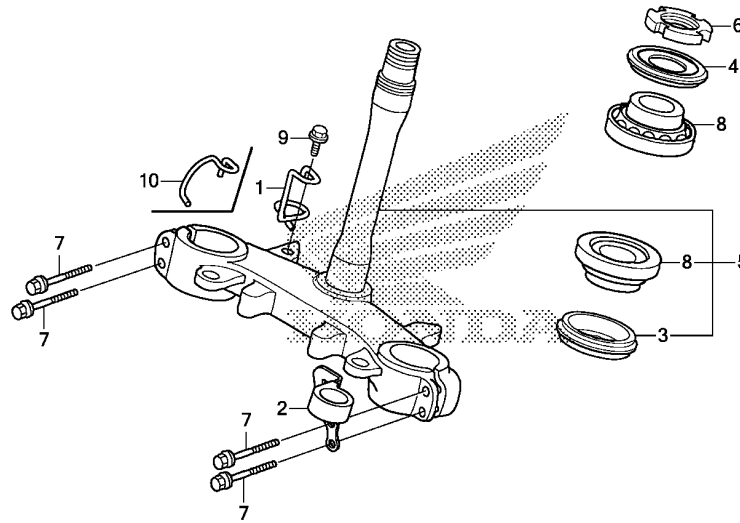
Ref. No.	L.O.N.	(Relative ref. Number) Description	F.R.T.
1	6151A1	KEY SET	0.7
2	615145	SWITCH, COMBINATION & LOCK ...	0.6
5	810100	PIPE, STEERING HANDLE	0.4
7	510110	BRIDGE, FORK TOP	0.5

Ref. No.	Part No.	Description	Reqd. QTY							Serial No.	Parts catalogue code
			XR 125 LEK E	XR 125 LEK J	XL 125 LEK E	XR 150 LEK E	XR 150 LEK H	XR 150 LEK J			
1	35010-KRH-600	KEY SET	1	1	1	1	1	1			
2	35100-KRH-601	SWITCH ASSY., COMBINATION & LOCK	1	1	1	1	1	1			
3	35121-KRH-900	KEY COMP.	(1)	(1)	(1)	(1)	(1)	(1)			
4	45470-KRH-660	GUIDE COMP., BRAKE HOSE(UPPER)	1	1	1	1	1	1			
5	53100-KRH-900ZA	PIPE, STEERING HANDLE	1	1	-	1	1	-			
	NH1.....BLACK		-	-	1	-	-	-			
	53100-KRH-640ZA	*NH1*.....BLACK	-	-	-	-	-	-			
	53100-KRH-900ZA	*NH1*.....BLACK	-	-	-	-	-	1	-----	1LA,3LA,DK,NZ,SA	
	53100-KRH-600ZA	*NH1*.....BLACK	-	-	-	-	-	1	-----	CL,PE	
6	53208-KCH-900	CAP, STEERING STEM	1	1	1	1	1	1			
7	53300-KRH-660ZA	BRIDGE COMP., FORK TOP	1	1	1	1	1	1			
	NH105...MAT BLACK (#15-#20)		1	1	1	1	1	1			
8	61311-KRH-660	STAY, R. VISOR	1	1	1	1	1	1			
9	61312-KRH-660	STAY, L. VISOR	1	1	1	1	1	1			
10	86150-KPG-901	EMBLEM, PRODUCT(MARUI)	1	1	1	1	1	1			
	86150-KPG-902	EMBLEM, PRODUCT(UEHARA)	1	1	1	1	1	1			
	86150-KTJ-C60	EMBLEM, PRODUCT(SHINKO)	1	1	1	1	1	1			
11	90107-MCN-610	BOLT, ONE-WAY, 8MM	2	2	2	2	2	2			
12	90111-KRH-900	BOLT, FLANGE, 8X36	4	4	4	4	4	4			
13	90308-KRH-900	NUT, STEERING STEM	1	1	1	1	1	1			
14	90503-KRH-900	WASHER, STEERING STEM	1	1	1	1	1	1			
15	95014-22200	HOLDER B2, HANDLE PIPE UPPER	2	2	2	2	2	2			
16	95701-08045-07	BOLT, FLANGE, 8X45	2	2	2	2	2	2			



F-9

STEERING STEM



KRH7F0900A

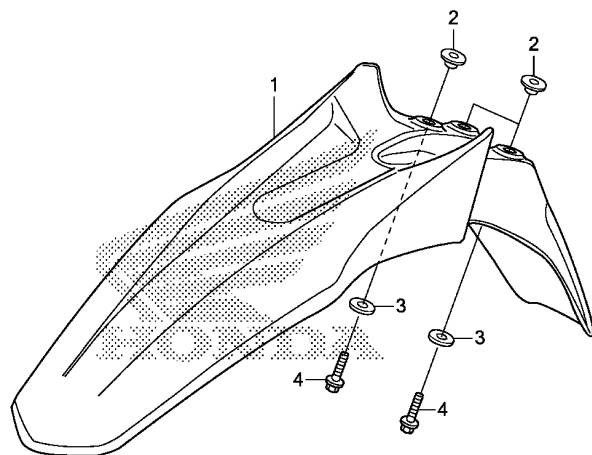
Ref. No.	L.O.N.	(Relative ref. Number) Description	F.R.T.
5	510100	STEM OR SHAFT ASSY., STEERING (4)	1.1
6	5101B2	THREAD, STEERING HEAD TOP (3)	0.5
8	5101B6	BEARING, HEAD PIPE :UPPER	1.1
	5101B7	BEARING, HEAD PIPE :LOWER	1.2
	5101C7	BEARING, HEAD PIPE :BOTH	1.2

3

Ref. No.	Part No.	Description	Reqd. QTY						Serial No.	Parts catalogue code
			XR 125 LEK E	XR 125 LEK J	XL 125 LEK E	XR 150 LEK E	XR 150 LEK H	XR 150 LEK J		
1	44833-KRH-780	GUIDE, SPEEDOMETER CABLE	1	-	1	1	1	-		
2	45460-KRH-660	GUIDE, BRAKE CABLE LOWER	1	1	1	1	1	1		
3	53214-KRH-901	DUST SEAL, STEERING HEAD	1	1	1	1	1	1		
4	53215-KRH-901	DUST SEAL, STEERING HEAD	1	-	1	1	1	-		
	53214-KZZ-901	DUST SEAL, STEERING UPPER ...	-	1	-	-	-	1		
5	53219-KRH-900	STEM SUB ASSY., STEERING	1	1	-	1	1	1		
	53219-KRH-780	-	-	1	-	-	-		
6	53229-KRH-900	THREAD, STEERING HEAD TOP ...	1	1	1	1	1	1		
7	90106-KRH-900	BOLT, FLANGE, 8X35	4	4	4	4	4	4		
8	91015-KRH-901	BEARING, HEAD PIPE	2	2	2	2	2	2		
9	95701-06012-00	BOLT, FLANGE, 6X12	1	1	1	1	1	1		
10	44833-K79-E00	GUIDE, SPEEDOMETER CABLE	-	1	-	-	-	1		

F-10

FRONT FENDER



KRH7F1000

Ref. No.	L.O.N.	(Relative ref. Number) Description	F.R.T.
----------	--------	------------------------------------	--------

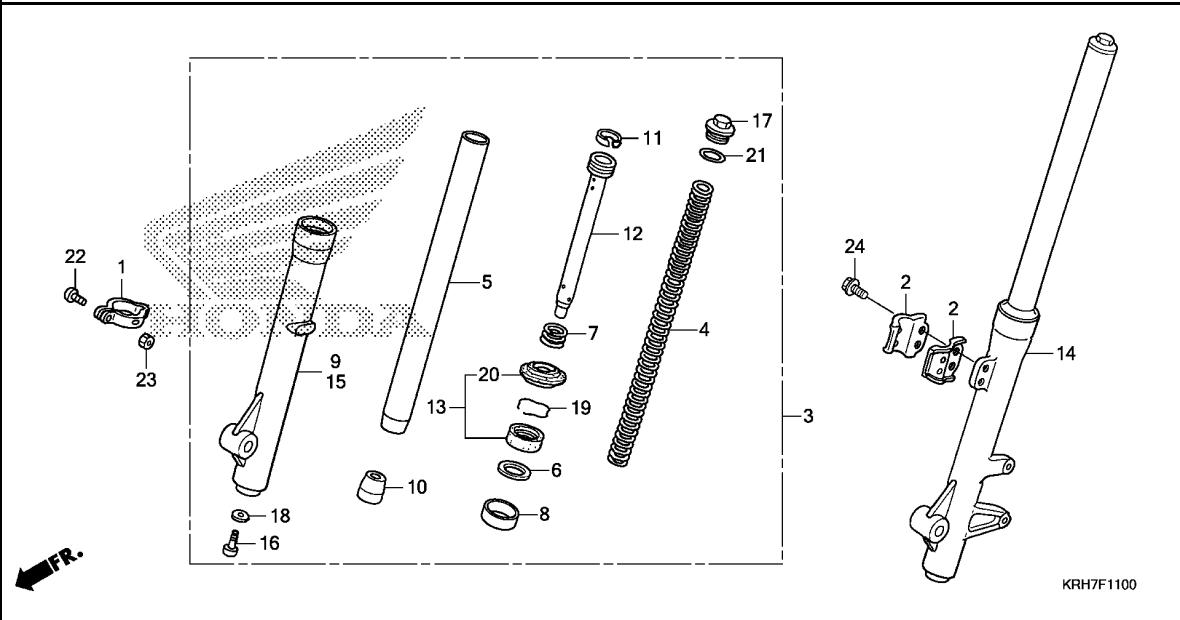
1	4131B7	FENDER, FRONT	0.1
---	--------	---------------------	-----

Ref. No.	Part No.	Description	Reqd. QTY						Serial No.	Parts catalogue code
			XR 125 LEK E	XR 125 LEK J	XL 125 LEK E	XR 150 LEK E	XR 150 LEK H	XR 150 LEK J		
1	61100-KRH-660ZA	FENDER, FR. *R134*.....FIGHTING RED	1	1	1	1	1	1		
	61100-KRH-660ZB	*NH196*.....ROSS WHITE	1	1	1	1	-	1		
	61100-KRH-660ZC	*NH1*.....BLACK	1	-	-	-	-	-	----- 3LA,DK	
			-	1	-	-	-	1	----- 1LA,3LA,AG,CO,DK,MX,NZ,PE	
2	61104-KRH-900	COLLAR, FENDER MOUNTING	4	4	4	4	4	4		
3	90546-KRH-900	WASHER, 6.5X20	4	4	4	4	4	4		
4	95701-06025-00	BOLT, FLANGE, 6X25	4	4	4	4	4	4		

3

F-11

FRONT FORK(1)



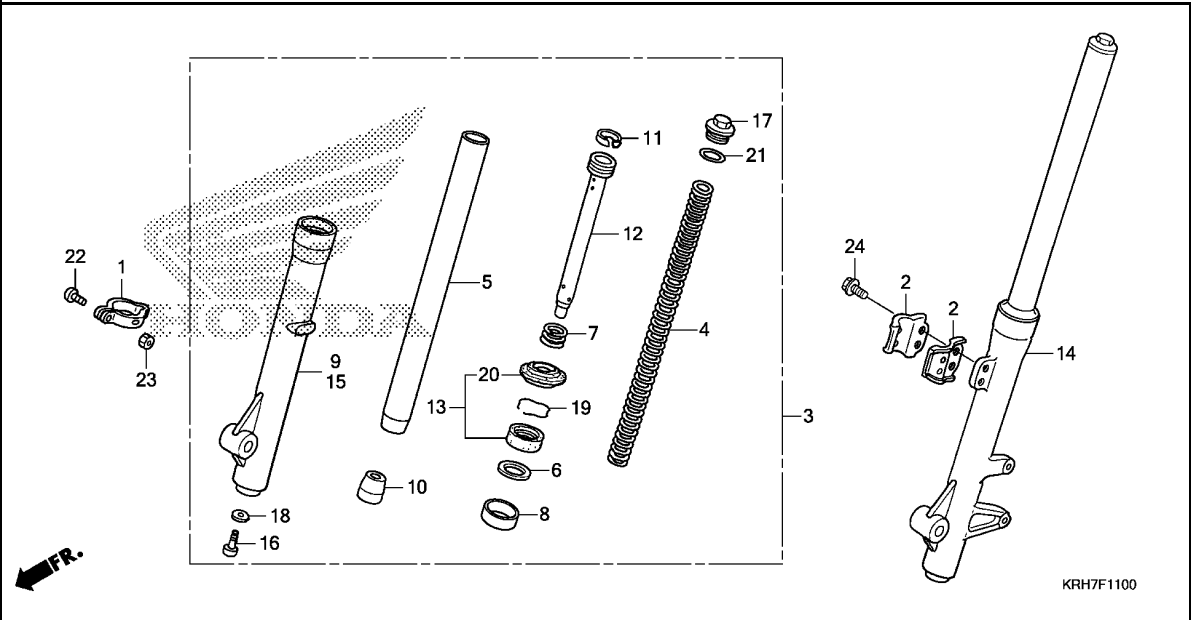
Ref. No.	L.O.N.	(Relative ref. Number) Description	F.R.T.
3	5111C3	FORK ASSY., FRONT :RIGHT	0.4
4	5111C5	SPRING, FRONT FORK :LEFT	0.2
	5111C6	SPRING, FRONT FORK :RIGHT	0.2
	5111C7	SPRING, FRONT FORK :BOTH	0.4
5		(7,8,10,11,12)	
	5111G2	PIPE, FRONT FORK :LEFT	0.8
	5111G3	PIPE, FRONT FORK :RIGHT	0.8
	5111G4	PIPE, FRONT FORK :BOTH	1.3
9	5111D2	CASE, BOTTOM :RIGHT	0.8
13	5111E7	SEAL SET, FRONT FORK :LEFT	0.8
	5111E8	SEAL SET, FRONT FORK :RIGHT	0.8
	5111E9	SEAL SET, FRONT FORK :BOTH	1.3
14	5111C2	FORK ASSY., FRONT :LEFT	0.4
	5111C4	FORK ASSY., FRONT :BOTH	0.6
15	5111D1	CASE, BOTTOM :LEFT	0.8
	5111D3	CASE, BOTTOM :BOTH	1.3

3

Ref. No.	Part No.	Description	Reqd. QTY						Serial No.	Parts catalogue code
			XR 125 LEK E	XR 125 LEK J	XL 125 LEK E	XR 150 LEK H	XR 150 LEK J	XR 150 LEK J		
1	44832-KRH-900	CLAMPER, SPEEDOMETER CABLE ..	1	-	-	1	1	-		
2	45461-KRH-900	CLAMPER A, BRAKE HOSE	2	-	-	2	2	-		
3	51400-KRH-901	FORK ASSY., R. FR.	1	-	-	1	1	-		
4	51401-KRH-901	SPRING, FR. FORK	2	-	-	2	2	-		
5	51410-KRH-901	PIPE COMP., FR. FORK	2	-	-	2	2	-		
6	51412-GGC-901	WASHER, OIL SEAL (CHUANNAN ABSORBER)	2	-	-	2	2	-		
7	51413-KRH-901	SPRING, REBOUND	2	-	-	2	2	-		
8	51414-GFM-J11	GUIDE, FR. FORK (CHUANNAN ABSORBER)	2	-	-	2	2	-		
9	51420-KRH-901	CASE, R. BOTTOM	1	-	-	1	1	-		
10	51432-KRH-901	PIECE, OIL LOCK	2	-	-	2	2	-		
11	51437-KRH-901	RING, PISTON	2	-	-	2	2	-		
12	51440-KRH-901	PIPE, SEAT	2	-	-	2	2	-		
13	51490-KRH-901	SEAL SET, FR. FORK	2	-	-	2	2	-		
14	51500-KRH-901	FORK ASSY., L. FR.	1	-	-	1	1	-		
15	51520-KRH-901	CASE, L. BOTTOM	1	-	-	1	1	-		
16	90116-KRF-H71	BOLT, SOCKET, 8X30 (CHUANNAN ABSORBER)	2	-	-	2	2	-		
17	90123-KRF-H71	BOLT, FR. FORK	2	-	-	2	2	-		
18	90544-KRF-H71	WASHER, SPECIAL, 8MM (CHUANNAN ABSORBER)	2	-	-	2	2	-		
19	90651-KRF-H71	RING, OIL SEAL STOPPER (CHUANNAN ABSORBER)	2	-	-	2	2	-		
20	91254-KRH-901	SEAL, DUST	2	-	-	2	2	-		

F-11

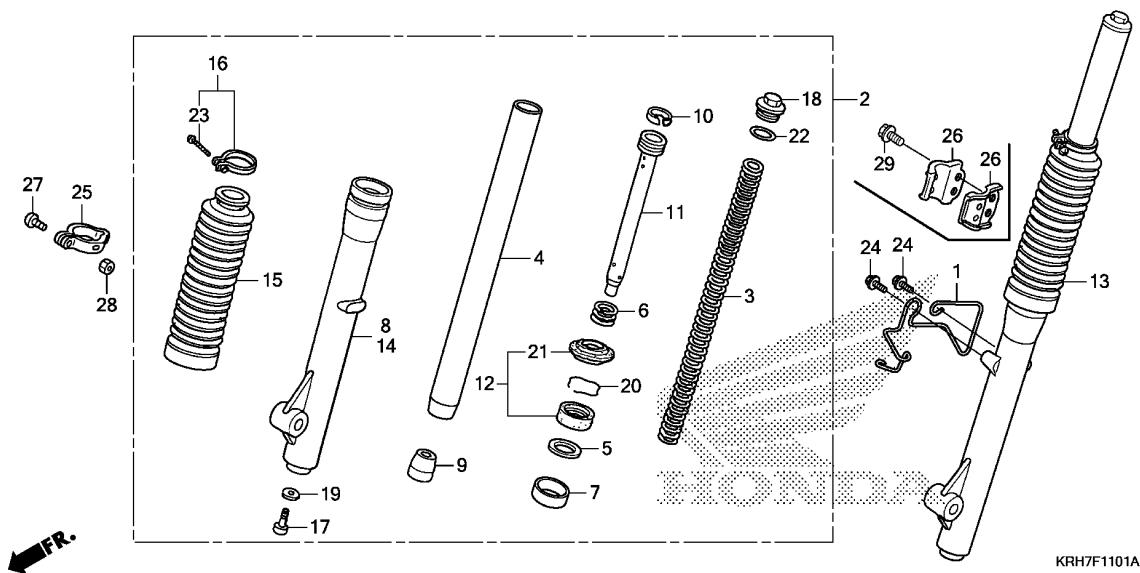
FRONT FORK(1)



Ref. No.	Part No.	Description	Reqd. QTY						Serial No.	Parts catalogue code
			XR 125 LEK E	XR 125 LEK J	XL 125 LEK E	XR 150 LEK E	XR 150 LEK H	XR 150 LEK J		
21	91351-KRF-H71	O-RING, 22X2.8 (CHUANNAN ABSORBER)	2	-	-	2	2	-		
22	93500-05018-0G	SCREW, PAN, 5X18	1	-	-	1	1	-		
23	94001-05070-0S	NUT, HEX., 5MM	1	-	-	1	1	-		
24	96001-06016-00	BOLT, FLANGE, 6X16	2	-	-	2	2	-		

F-11-1

FRONT FORK(2)



Ref. No.	L.O.N.	(Relative ref. Number) Description	F.R.T.
2	5111C3	FORK ASSY., FRONT :RIGHT	0.4
3	5111C5	SPRING, FRONT FORK :LEFT	0.2
	5111C6	SPRING, FRONT FORK :RIGHT	0.2
	5111C7	SPRING, FRONT FORK :BOTH	0.4
4		(6,7,9,10,11)	
	5111G2	PIPE, FRONT FORK :LEFT	0.8
	5111G3	PIPE, FRONT FORK :RIGHT	0.8
	5111G4	PIPE, FRONT FORK :BOTH	1.3
8	5111D2	CASE, BOTTOM :RIGHT	0.8
12	5111E7	SEAL SET, FRONT FORK :LEFT ...	0.8
	5111E8	SEAL SET, FRONT FORK :RIGHT ..	0.8
	5111E9	SEAL SET, FRONT FORK :BOTH ...	1.3
13	5111C2	FORK ASSY., FRONT :LEFT	0.4
	5111C4	FORK ASSY., FRONT :BOTH	0.6
14	5111D1	CASE, BOTTOM :LEFT	0.8
	5111D3	CASE, BOTTOM :BOTH	1.3
15	5111J9	BOOT, FRONT FORK :LEFT	0.4
	5111K0	BOOT, FRONT FORK :RIGHT	0.4
	5111K1	BOOT, FRONT FORK :BOTH	0.6

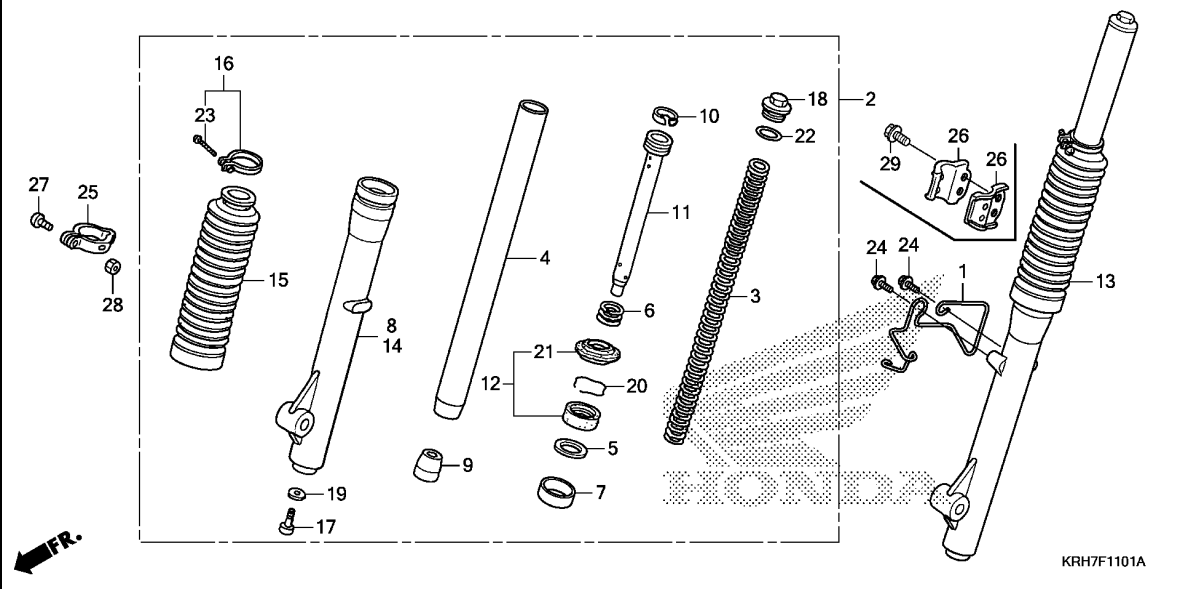
KRH7F1101A

3

Ref. No.	Part No.	Description	Reqd. QTY						Serial No.	Parts catalogue code
			XR 125 LEK E	XR 125 LEK J	XL 125 LEK E	XR 150 LEK E	XR 150 LEK H	XR 150 LEK J		
1	44834-KRH-780	GUIDE, SPEEDOMETER CABLE	-	-	1	-	-	-		
2	51400-K79-E01	FORK ASSY., R. FR. (CHUANNAN ABSORBER)	-	1	-	-	-	1		
	51400-KRH-781	FORK ASSY., R. FR.	-	-	1	-	-	-		
3	51401-K79-E01	SPRING, FR. FORK	-	2	-	-	-	2		
	51401-KRH-781	-	-	2	-	-	-		
4	51410-KRH-781	PIPE COMP., FR. FORK	-	2	2	-	-	2		
5	51412-GGC-901	WASHER, OIL SEAL (CHUANNAN ABSORBER)	-	2	2	-	-	2		
6	51413-KRH-901	SPRING, REBOUND	-	2	2	-	-	2		
7	51414-GFM-J11	GUIDE, FR. FORK (CHUANNAN ABSORBER)	-	2	2	-	-	2		
8	51420-K79-E01	CASE, R. BOTTOM	-	1	-	-	-	1		
	51420-KRH-781	-	-	1	-	-	-		
9	51432-KRH-901	PIECE, OIL LOCK	-	2	2	-	-	2		
10	51437-KRH-901	RING, PISTON	-	2	2	-	-	2		
11	51440-K79-E00	PIPE, SEAT	-	2	-	-	-	2		
	51440-KRH-781	-	-	2	-	-	-		
12	51490-KRH-901	SEAL SET, FR. FORK	-	2	2	-	-	2		
13	51500-K79-E01	FORK ASSY., L. FR. (CHUANNAN ABSORBER)	-	1	-	-	-	1		
	51500-KRH-781	FORK ASSY., L. FR.	-	-	1	-	-	-		
14	51520-K79-E01	CASE, L. BOTTOM	-	1	-	-	-	1		
	51520-KRH-781	-	-	1	-	-	-		
15	51611-KRH-781	BOOT, FR. FORK	-	2	2	-	-	2		

F-11-1

FRONT FORK(2)

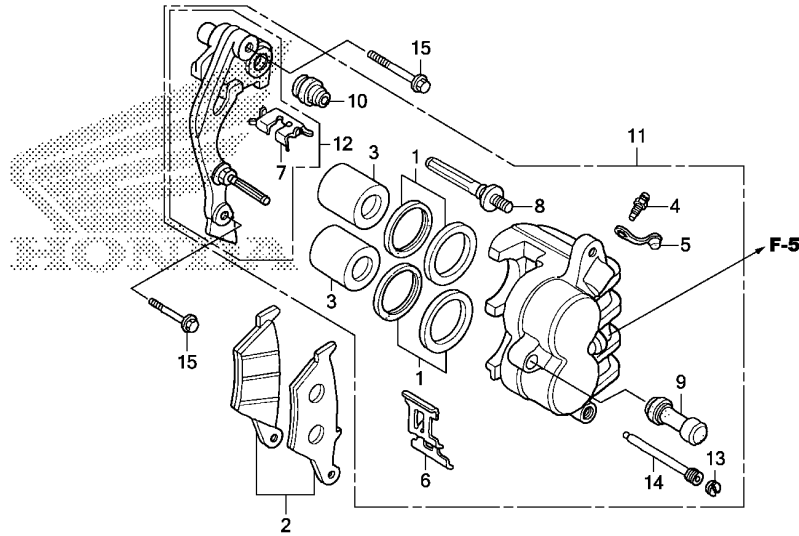


KRH7F1101A

Ref. No.	Part No.	Description	Reqd. QTY						Serial No.	Parts catalogue code
			XR 125 LEK E	XR 125 LEK J	XL 125 LEK E	XR 150 LEK E	XR 150 LEK H	XR 150 LEK J		
16	51612-KTJ-C00	BAND, FR. FORK BOOT (CHUANNAN ABSORBER)	-	2	2	-	-	2		
17	90116-KRF-H71	BOLT, SOCKET, 8X30 (CHUANNAN ABSORBER)	-	2	2	-	-	2		
18	90123-KRF-H71	BOLT, FR. FORK	-	2	2	-	-	2		
19	90544-KRF-H71	WASHER, SPECIAL, 8MM (CHUANNAN ABSORBER)	-	2	2	-	-	2		
20	90651-KRH-781	RING, OIL SEAL STOP	-	2	2	-	-	2		
21	91254-KRH-901	SEAL, DUST	-	2	2	-	-	2		
22	91351-KRF-H71	O-RING, 22X2.8 (CHUANNAN ABSORBER)	-	2	2	-	-	2		
23	93500-03020-0G	SCREW, PAN, 3X20	-	2	2	-	-	2		
24	95701-06016-00	BOLT, FLANGE, 6X16	-	-	2	-	-	-		
25	44832-KRH-900	CLAMPER, SPEEDOMETER CABLE ..	-	1	-	-	-	1		
26	45461-KRH-900	CLAMPER A, BRAKE HOSE	-	2	-	-	-	2		
27	93500-05018-0G	SCREW, PAN, 5X18	-	1	-	-	-	1		
28	94001-05070-0S	NUT, HEX., 5MM	-	1	-	-	-	1		
29	96001-06016-00	BOLT, FLANGE, 6X16	-	2	-	-	-	2		

F-12

FRONT BRAKE CALIPER



Ref. No.	L.O.N.	(Relative ref. Number) Description	F.R.T.
2	7111N1	SHOE(PAD) SET, BRAKE(A) :FRONT (1)	0.1
3	7111D1	PISTON, FRONT BRAKE CALIPER .. .INCLUDES: Bleed brakes .NOTE: Same time for two units	0.5
11	711130	CALIPER, FRONT BRAKE	0.4
12	7111G0	BRACKET, FRONT CALIPER	0.2

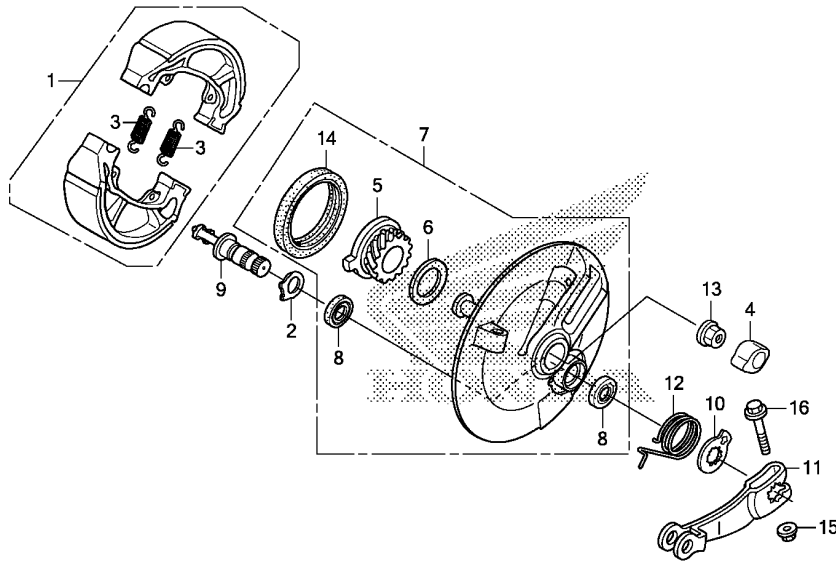
KRH7F1200

3

Ref. No.	Part No.	Description	Reqd. QTY						Serial No.	Parts catalogue code
			XR 125 LEK E	XR 125 LEK J	XL 125 LEK E	XR 150 LEK E	XR 150 LEK H	XR 150 LEK J		
1	06431-MA3-405	SEAL SET, PISTON	2	2	-	2	2	2		
2	06455-KHA-942	PAD SET, FR.	1	1	-	1	1	1		
3	43107-MAJ-641	PISTON, 27X31	2	2	-	2	2	2		
4	43352-568-003	SCREW, BLEEDER(NISSIN)	1	1	-	1	1	1		
5	43353-461-771	CAP, BLEEDER	1	1	-	1	1	1		
6	45108-KW8-901	SPRING, PAD	1	1	-	1	1	1		
7	45112-KS6-701	RETAINER	1	1	-	1	1	1		
8	45131-HA5-672	BOLT A, PIN	1	1	-	1	1	1		
9	45132-166-016	BOOT, PIN BUSH(NISSIN)	1	1	-	1	1	1		
10	45133-MA3-006	BOOT B	1	1	-	1	1	1		
11	45150-KRH-D21	CALIPER SUB ASSY., L. FR. (NISSIN)	1	1	-	1	1	1		
12	45190-KCZ-J71	BRACKET SUB ASSY., L. FR.	1	1	-	1	1	1		
13	45203-MG3-016	PLUG, PIN	1	1	-	1	1	1		
14	45215-ML7-922	PIN, HANGER	1	1	-	1	1	1		
15	90131-KRH-900	BOLT, FLANGE, 8X40	2	2	-	2	2	2		

F-13

FRONT BRAKE PANEL



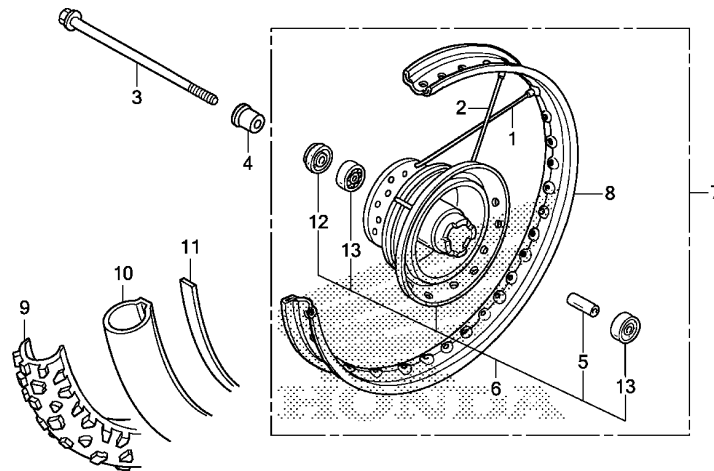
KRH7F1300

Ref. No.	L.O.N.	(Relative ref. Number) Description	F.R.T.
1	711115	SHOE(PAD) SET, BRAKE :FRONT .. (14)	0.4
5	7101C3	GEAR, SPEEDOMETER	0.3
7	7111D0	PANEL, FRONT BRAKE	0.4
11	7111C3	ARM, BRAKE :FRONT	0.3

Ref. No.	Part No.	Description	Reqd. QTY						Serial No.	Parts catalogue code
			XR 125 LEK E	XR 125 LEK J	XL 125 LEK E	XR 150 LEK E	XR 150 LEK H	XR 150 LEK J		
1	06430-KRF-B80	SHOE SET, BRAKE(JB)	-	-	1	-	-	-		
2	43142-KAS-890	SEAT, RR. BRAKE CAM (FR.)	-	-	1	-	-	-		
3	43151-KCW-870	SPRING, BRAKE SHOE	-	-	2	-	-	-		
4	44302-KTT-950	CAP, AXLE NUT	-	-	1	-	-	-		
5	44806-KRH-780	GEAR, SPEEDOMETER(23T)	-	-	1	-	-	-		
6	44808-107-720	WASHER, SPEEDOMETER GEAR	-	-	1	-	-	-		
7	45010-KRH-780ZA	PANEL SUB COMP., FR. BRAKE *NH364M*SHEEN SILVER METALLIC	-	-	1	-	-	-		
8	45134-KB7-005	DUST SEAL, BRAKE CAM(NOK)	-	-	2	-	-	-		
9	45141-KRH-780	CAM, FR. BRAKE	-	-	1	-	-	-		
10	45145-437-970	INDICATOR, FR. BRAKE	-	-	1	-	-	-		
11	45410-KRH-781	ARM, FR. BRAKE	-	-	1	-	-	-		
12	45435-KCW-870	SPRING, BRAKE ARM	-	-	1	-	-	-		
13	90306-KYA-601	NUT, FLANGE, 12MM(PT)	-	-	1	-	-	-		
14	91251-GK4-003	OIL SEAL, 47X60X7(ARAI)	-	-	1	-	-	-		
15	94050-06080	NUT, FLANGE, 6MM	-	-	1	-	-	-		
16	95701-06035-00	BOLT, FLANGE, 6X35	-	-	1	-	-	-		

F-14-10

FRONT WHEEL(XL125LEK)



KRH7F1410

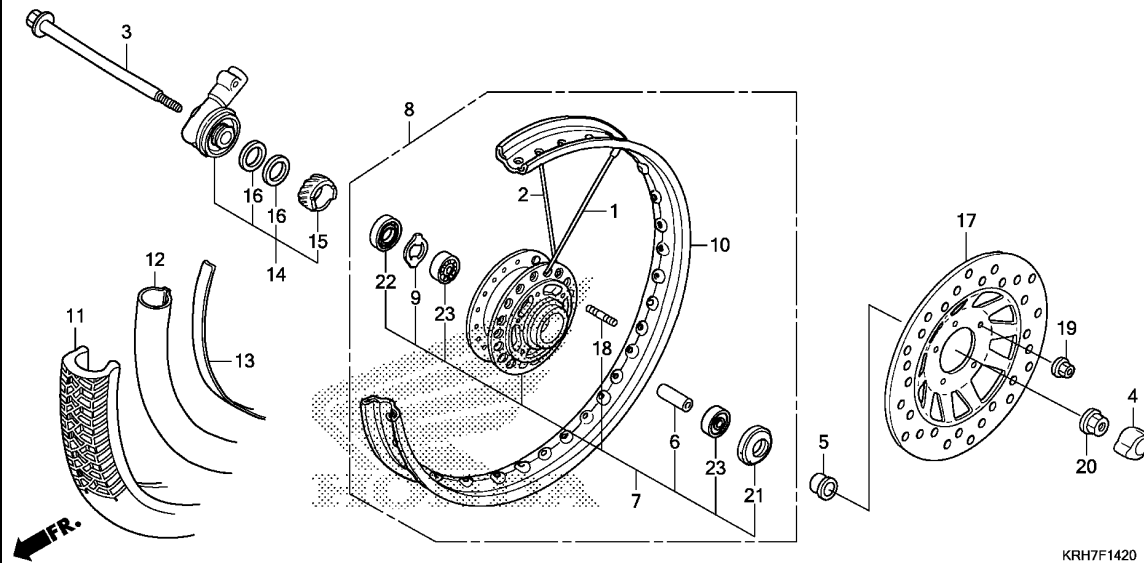
Ref. No.	L.O.N.	(Relative ref. Number) Description	F.R.T.
3		(12)	
710151		AXLE, FRONT WHEEL	0.3
6		(1,2)	
710103		HUB, FRONT WHEEL	2.2
7101D4		FRONT WHEEL	0.9
710109		RIM, WHEEL :FRONT	2.1
9		(11)	
710139		FRONT TIRE(ONE)	0.9
10		(11)	
710140		TUBE, FRONT TIRE(ONE)	0.9
710115		BEARING, FRONT WHEEL(ONE)	0.5
710115G		.Replace 1 bearing add	0.1

3

Ref. No.	Part No.	Description	Reqd. QTY						Serial No.	Parts catalogue code
			XR 125 LEK E	XR 125 LEK J	XL 125 LEK E	XR 150 LEK E	XR 150 LEK H	XR 150 LEK J		
1	06441-KRH-780	SPOKE SET A, FR.(A10X224) ... (R. SIDE)	-	-	18	-	-	-		
2	06442-KRH-780	SPOKE SET B, FR.(A10X204) ... (L. SIDE)	-	-	18	-	-	-		
3	44301-KRH-900	AXLE, FR. WHEEL	-	-	1	-	-	-		
4	44311-KTJ-900	COLLAR, FR. WHEEL SIDE	-	-	1	-	-	-		
5	44620-KRH-780	COLLAR, FR. AXLE DISTANCE ...	-	-	1	-	-	-		
6	44635-KRH-780ZA	HUB SUB ASSY., FR. *NH364M*SHEEN SILVER METALLIC	-	-	1	-	-	-		
7	44650-KRH-780ZA	WHEEL SUB ASSY., FR. *NH364M*SHEEN SILVER METALLIC	-	-	1	-	-	-		
8	44701-KRH-780	RIM, FR. WHEEL(1.40X21)	-	-	1	-	-	-		
9	44711-KRH-781	TIRE, FR.(CHENG SHIN) (70/100-21 M/C 44P)	-	-	1	-	-	-		
10	44712-KRH-781	TUBE, TIRE(CHENG SHIN) (70/100-21)	-	-	1	-	-	-		
11	44713-KRH-781	FLAP, TIRE(CHENG SHIN)	-	-	1	-	-	-		
12	91251-KYY-900	DUST SEAL, 21X37X7	-	-	1	-	-	-		
13	96140-63010-10	BEARING, RADIAL BALL, 6301U	-	-	2	-	-	-		

F-14-20

FRONT WHEEL(XR125LEK/XR150LEK)

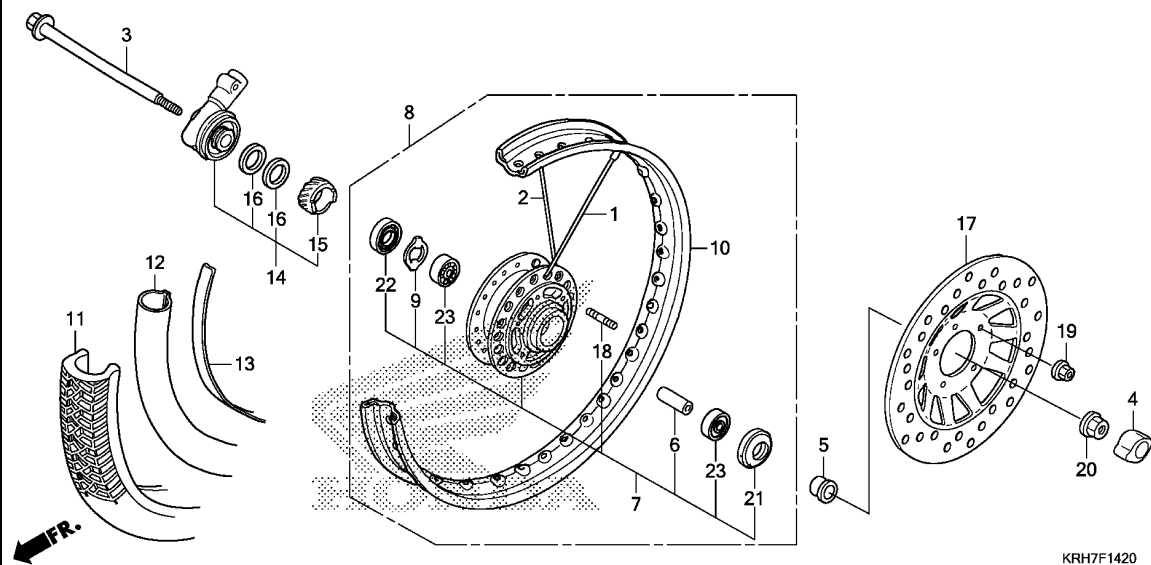


Ref. No.	L.O.N.	(Relative ref. Number) Description	F.R.T.
3		(21,22)	
710151		AXLE, FRONT WHEEL	0.3
7		(1,2)	
7101J7		HUB, FRONT WHEEL(A)	2.3
8		FRONT WHEEL(A)	1.0
10		RIM, WHEEL(A) :FRONT	2.2
11		(13)	
710139		FRONT TIRE(ONE)	0.9
12		(13)	
710140		TUBE, FRONT TIRE(ONE)	0.9
14		GEARBOX ASSY., SPEEDOMETER ...	0.3
17		DISC, FRONT BRAKE	0.4
23		BEARING, FRONT WHEEL(ONE)	0.5
710115G		.Replac 1 bearing add	0.1

Ref. No.	Part No.	Description	Reqd. QTY						Serial No.	Parts catalogue code
			XR 125 LEK E	XR 125 LEK J	XR 125 LEK E	XR 150 LEK E	XR 150 LEK H	XR 150 LEK J		
1	06440-KRH-900	SPOKE SET A,(10X206) (OUTSIDE)	18	18	-	18	18	18		
2	06441-KRH-900	SPOKE SET A,(10X206.5) (INSIDE)	18	18	-	18	18	18		
3	44301-KRH-900	AXLE, FR. WHEEL	1	1	-	1	1	1		
4	44302-KTT-950	CAP, AXLE NUT	1	-	-	1	1	-	1LA,3LA,AG,DK,NZ,PE,SA	
5	44312-KRH-900	COLLAR, FR. WHEEL	1	1	-	1	1	1		
6	44620-KRH-900	COLLAR, FR. AXLE DISTANCE ...	1	1	-	1	1	1		
7	44635-KRH-900	HUB SUB ASSY., FR.	1	1	-	1	1	1		
8	44650-KRH-900	WHEEL SUB ASSY., FR.	1	1	-	1	1	1		
9	44680-KRH-900	RETAINER, GEAR BOX	1	1	-	1	1	1		
10	44701-KRH-900	RIM, FR. WHEEL	1	1	-	1	1	1		
11	44711-KRH-901	TIRE, FR.(CHENG SHIN) (90/90-19 M/C 52P)	1	-	-	1	-	-		
	44711-KRH-902	-	1	-	-	1	1		
12	44712-KRH-901	TUBE, TIRE(CHENG SHIN)	1	1	-	1	1	1		
13	44713-KRH-901	FLAP, TIRE(CHENG SHIN)	1	1	-	1	1	1		
14	44800-KRH-901	BOX ASSY., SPEEDOMETER GEAR ..	1	1	-	1	1	1		
15	44806-KRH-901	GEAR, SPEEDOMETER(20T)	1	1	-	1	1	1		
16	44808-KRH-901	WASHER, GEAR	2	2	-	2	2	2		
17	45351-KRH-900	DISK, L. FR. BRAKE	1	1	-	1	1	1		
18	90128-KGA-B90	BOLT, STUD, 2, 6X16	5	5	-	5	5	5		
19	90302-KYA-601	NUT, FLANGE, 6MM(PT)	5	5	-	5	5	5		
20	90306-KYA-601	NUT, FLANGE, 12MM(PT)	1	1	-	1	1	1		

F-14-20

FRONT WHEEL(XR125LEK/XR150LEK)



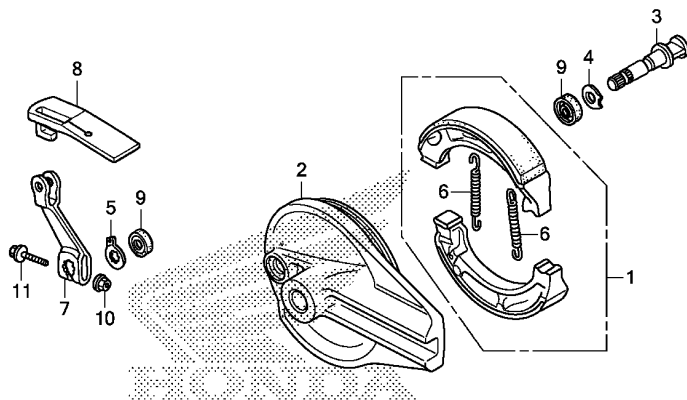
KRH7F1420

Ref. No.	Part No.	Description	Reqd. QTY						Serial No.	Parts catalogue code
			XR 125 LEK E	XR 125 LEK J	XL 125 LEK E	XR 150 LEK E	XR 150 LEK H	XR 150 LEK J		
21	90755-229-003	OIL SEAL, 21X37X7 (ARAI)	1	1	-	1	1	1		
	90755-229-005	OIL SEAL, 21X37X7 (NOK)	1	1	-	1	1	1		
	90755-KRH-900	OIL SEAL, 21X37X7	1	1	-	1	1	1		
22	91258-410-006	DUST SEAL, 40X50X5 (NOK)	1	1	-	1	1	1		
	91258-410-013	DUST SEAL, 40X50X5 (ARAI)	1	1	-	1	1	1		
	91258-MCG-901	DUST SEAL, 40X50X5 (SABO)	1	1	-	1	1	1		
	91258-MCG-902	DUST SEAL, 40X50X5 (NOK)	1	1	-	1	1	1		
23	96140-63010-10	BEARING, RADIAL BALL, 6301U	2	2	-	2	2	2		

3

F-18

REAR BRAKE PANEL



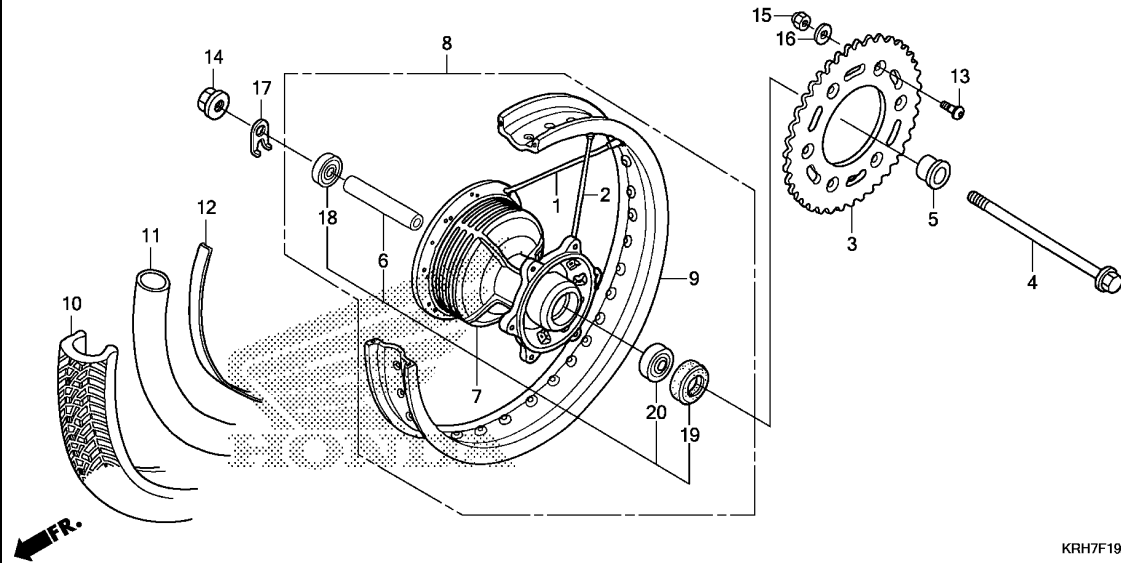
FR. →
KRH7F1800

Ref. No.	L.O.N.	(Relative ref. Number) Description	F.R.T.
1	711140	SHOE(PAD) SET, BRAKE :REAR ... (3)	0.4
2	7111A9	PANEL, REAR BRAKE	0.5
7	7111C4	ARM, BRAKE :REAR	0.2

Ref. No.	Part No.	Description	Reqd. QTY						Serial No.	Parts catalogue code
			XR 125 LEK E	XR 125 LEK J	XL 125 LEK E	XR 150 LEK E	XR 150 LEK H	XR 150 LEK J		
1	06430-GCE-900	SHOE SET, BRAKE(NK)	1	-	1	1	1	-		
	06430-GBJ-J10	SHOE SET, BRAKE(ASK)	1	-	1	1	-	-		
	06430-KSY-900	SHOE SET, BRAKE(JB)	-	1	-	-	-	1		
	06430-GBJ-J10	SHOE SET, BRAKE(ASK)	-	-	-	-	1	-	-----	AG
2	43100-KRH-900ZA	PANEL COMP., RR. BRAKE *NH364M*SHEEN SILVER METALLIC	1	1	1	1	1	1		
3	43141-KRH-900	CAM, RR. BRAKE	1	1	1	1	1	1		
4	43142-KRH-900	SEAT, RR. BRAKE CAM	1	1	1	1	1	1		
5	43145-KRH-900	INDICATOR, RR. BRAKE	1	1	1	1	1	1		
6	43151-110-000	SPRING, BRAKE SHOE	2	-	2	2	2	-		
	45151-GCC-000	SPRING, BRAKE SHOE(JB)(BLACK)	-	2	-	-	-	2		
7	43410-KRH-900	ARM, RR. BRAKE	1	1	1	1	1	1		
8	43411-KHA-940	COVER, RR. BRAKE ARM	1	1	1	1	1	1		
9	45134-KB7-005	DUST SEAL, BRAKE CAM(NOK) ...	2	2	2	2	2	2		
10	90302-KYA-601	NUT, FLANGE, 6MM(PT)	1	1	1	1	1	1		
11	95701-08035-00	BOLT, FLANGE, 8X35	1	1	1	1	1	1		

F-19-10

REAR WHEEL



Ref. No.	L.O.N.	(Relative ref. Number) Description	F.R.T.
3	7101A0	SPROCKET, FINAL DRIVEN (19)	0.4
4	710160	AXLE, REAR WHEEL (1,2)	0.3
7	710121	HUB, REAR WHEEL	2.3
8	710118	REAR WHEEL	1.0
9	710127	RIM, WHEEL :REAR (12)	2.2
10	710142	REAR TIRE(ONE) (12)	0.9
11	7101A7	TUBE, REAR TIRE(ONE) (20)	0.9
18	710133	BEARING, REAR WHEEL(ONE)	0.5
	710133G	.Replace 1 bearing add	0.1

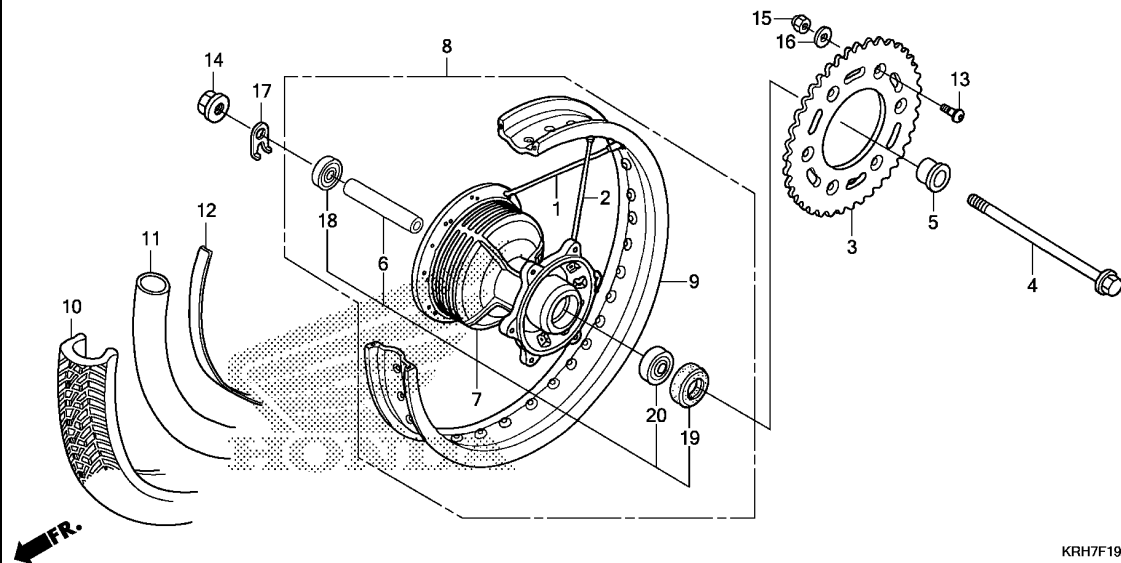
KR7F1910

3

Ref. No.	Part No.	Description	Reqd. QTY						Serial No.	Parts catalogue code
			XR 125 LEK E	XR 125 LEK J	XL 125 LEK E	XR 150 LEK E	XR 150 LEK H	XR 150 LEK J		
1	06420-KRH-900	SPOKE SET A, RR.(A10X166) (R. SIDE)	18	18	-	18	18	18		
	06420-KRH-780	SPOKE SET A, RR.(A10X175) (R. SIDE)	-	-	18	-	-	-		
2	06421-KRH-900	SPOKE SET B, RR.(A10X184) (L. SIDE)	18	18	-	18	18	18		
	06421-KRH-780	SPOKE SET B, RR.(A10X193) (L. SIDE)	-	-	18	-	-	-		
3	41201-KRH-780	SPROCKET, FINAL DRIVEN(51T)	1	1	1	-	-	-		
	41201-KRH-650	SPROCKET, FINAL DRIVEN(49T)	-	-	-	1	1	1		
4	42301-KRH-900	AXLE, RR. WHEEL	1	1	1	1	1	1		
5	42312-KRH-900	COLLAR, RR. WHEEL	1	1	1	1	1	1		
6	42620-KRH-900	COLLAR, RR. AXLE DISTANCE	1	1	1	1	1	1		
7	42635-KRH-780ZA	HUB SUB ASSY., RR. *NH364M*SHEEN SILVER METALLIC	1	1	1	-	-	-		
	42635-KRH-650ZA	*NH364M*SHEEN SILVER METALLIC	-	-	-	1	1	1		
8	42650-KRH-A00ZA	WHEEL SUB ASSY., RR. *NH364M*SHEEN SILVER METALLIC	1	1	-	-	-	-		
	42650-KRH-780ZA	*NH364M*SHEEN SILVER METALLIC	-	-	1	-	-	-		
	42650-KRH-650ZA	*NH364M*SHEEN SILVER METALLIC	-	-	-	1	1	1		
9	42701-KRH-900	RIM, RR. WHEEL(2.15X17)	1	1	-	1	1	1		
	42701-KRH-780	RIM, RR. WHEEL(2.15X18)	-	-	1	-	-	-		
10	42711-KRH-901	TIRE, RR.(CHENG SHIN) (110/90-17 M/C 60P)	1	-	-	1	-	-		
	42711-KRH-902	-	1	-	-	1	1		
	42711-KRH-781	TIRE, RR.(CHENG SHIN) (100/90-18 M/C 56P)	-	-	1	-	-	-		

F-19-10

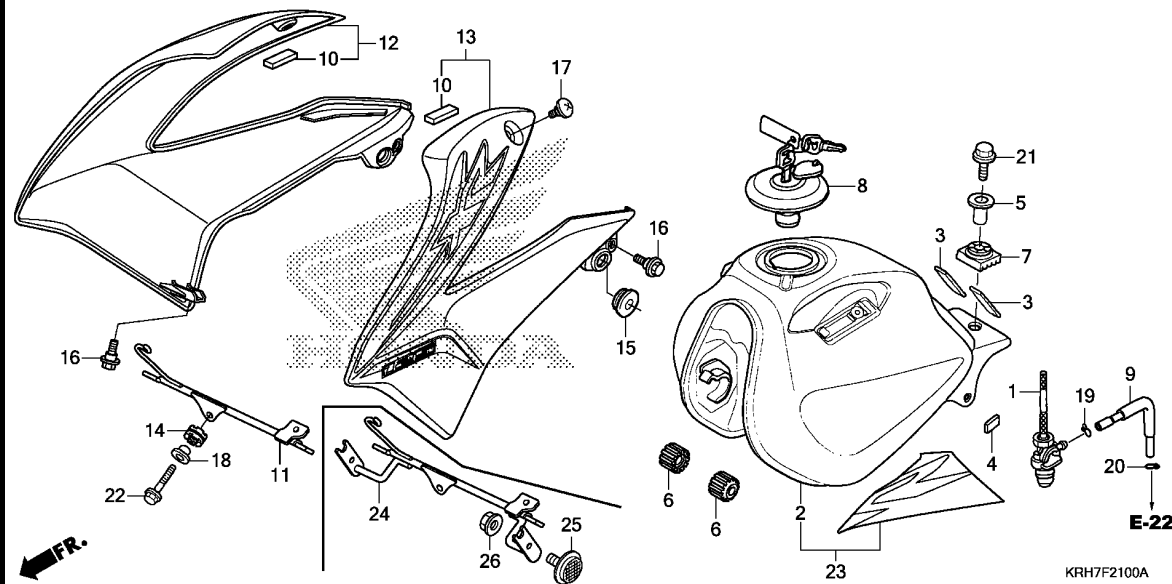
REAR WHEEL



Ref. No.	Part No.	Description	Reqd. QTY						Serial No.	Parts catalogue code
			XR 125 LEK E	XR 125 LEK J	XL 125 LEK E	XR 150 LEK E	XR 150 LEK H	XR 150 LEK J		
11	42712-KRH-901	TUBE, TIRE(CHENG SHIN)	1	1	-	1	1	1		
	42712-KRH-781	TUBE, TIRE(CHENG SHIN) (100/90-18)	-	-	1	-	-	-		
12	42713-KRH-901	FLAP, TIRE(CHENG SHIN)	1	1	-	1	1	1		
	42713-KRH-781	-	-	1	-	-	-		
13	90125-KZJ-900	BOLT, SPROCKET FIXING	6	6	6	6	6	6		
14	90307-KRH-901	NUT, FLANGE, 16MM	1	1	1	1	1	1		
15	90309-KFO-003	NUT, FLANGE, 8MM	6	6	6	6	6	6		
	90309-KRH-901	NUT, U, 8MM	6	6	6	6	6	6		
16	90511-KRH-780	WASHER, 8MM	6	6	6	6	6	6		
17	90559-KRH-900	WASHER, RR. AXLE	1	-	1	1	1	-		
	90559-K79-E00	-	1	-	-	-	1		
18	91053-MAY-003	BEARING, RADIAL BALL, 6203UU	1	1	1	1	1	1		
19	91253-033-003	OIL SEAL, 25X47X6.5	1	1	1	1	1	1		
20	96140-63030-10	BEARING, RADIAL BALL, 6303U	1	1	1	-	-	-		
	91051-KPS-732	BEARING, RADIAL BALL, 6303U (NSK)	-	-	-	1	1	1		

F-21

FUEL TANK



Ref. No.	L.O.N.	(Relative ref. Number) Description	F.R.T.
1	310110	COCK ASSY., FUEL (23)	0.3
2	310100	TANK, FUEL	0.4
12	1151A0	SHROUD, RADIATOR :RIGHT	0.1
13	115126	SHROUD, RADIATOR :LEFT	0.1
	1151A5	SHROUD, RADIATOR :BOTH	0.1

3

Ref. No.	Part No.	Description	Reqd. QTY						Serial No.	Parts catalogue code
			XR 125 LEK E	XR 125 LEK J	XL 125 LEK E	XR 150 LEK E	XR 150 LEK H	XR 150 LEK J		
1	16950-KRH-901	COCK ASSY., FUEL	1	1	1	1	1	1		
2	17510-KRH-900ZA	TANK COMP., FUEL *NH1*.....BLACK	1	-	1	1	1	-		
3	17517-KPF-900	RUBBER A, FUEL TANK	2	2	2	2	2	2		
4	17518-KRE-900	RUBBER	2	2	2	2	2	2		
5	17526-KRH-900	COLLAR, FUEL TANK MOUNTING	1	1	1	1	1	1		
6	17611-KRH-900	CUSHION, FUEL TANK FR.	2	2	2	2	2	2		
7	17613-KRH-900	CUSHION, FUEL TANK RR.	1	1	1	1	1	1		
8	17620-KRH-901	CAP COMP., FUEL FILLER	1	1	1	1	1	1		
9	17681-KRH-780	TUBE, FUEL	1	1	1	1	1	1		
10	19032-KRH-660	CUSHION A	2	2	2	2	2	2		
11	19040-KRH-660	JOINT, SHROUD	1	1	1	1	1	1	-----	1LA,2SA,3LA,AG,CO,DK,MX,NZ,PE,SA
12	19100-KRH-620ZB	SHROUD SET, R. TANK(WL)	1	-	-	-	-	-	-----	3LA,DK
	19100-KRH-620ZA	*TYPE2*	1	-	-	-	-	-		
	19100-KRH-620ZC	*TYPE3*	1	-	-	-	-	-		
	19100-KRH-620ZD	*TYPE1*	1	-	-	-	-	-		
	19100-KRH-G30ZA	*TYPE3*	-	1	-	-	-	-		
	19100-KRH-G30ZB	*TYPE2*	-	1	-	-	-	-		
	19100-KRH-G30ZC	*TYPE1*	-	1	-	-	-	-		
	19100-KRH-640ZA	*TYPE2*	-	-	1	-	-	-		
	19100-KRH-640ZB	*TYPE1*	-	-	1	-	-	-		
	19100-KRH-660ZB	*TYPE2*	-	-	-	1	-	-	-----	1LA,3LA,AG,CO,DK,MX,NZ,PE
	19100-KRH-660ZA	*TYPE3*	-	-	-	1	-	-		
	19100-KRH-660ZC	*TYPE1*	-	-	-	1	-	-		
	19100-KRH-H10ZA	*TYPE1*	-	-	-	-	1	-		
	19100-KRH-G00ZA	*TYPE2*	-	-	-	-	-	1		

F-21

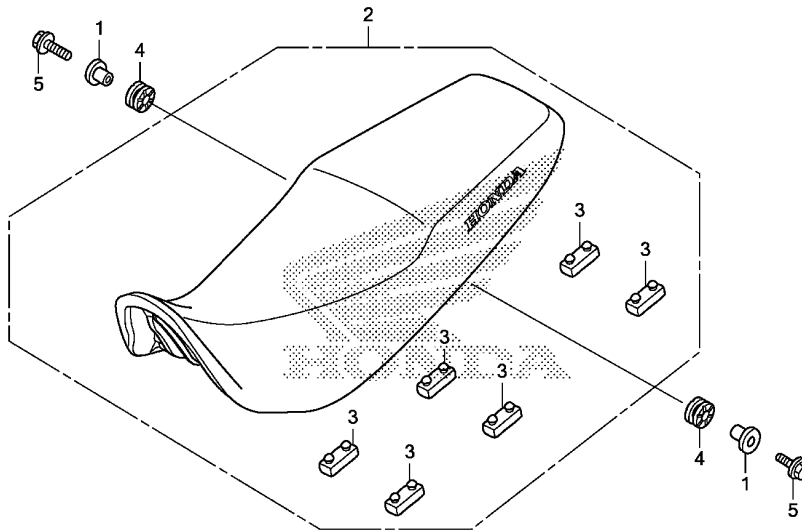
FUEL TANK

Ref. No.	Part No.	Description	Reqd. QTY						Serial No.	Parts catalogue code
			XR 125 LEK E	XR 125 LEK J	XL 125 LEK E	XR 150 LEK E	XR 150 LEK H	XR 150 LEK J		
12)	19100-KRH-G00ZB	SHROUD SET, R. TANK(WL)	-	-	-	-	-	-		
		TYPE1.....	-	-	-	-	-	-		
	19100-KRH-G00ZC	*TYPE3 1*.....	-	-	-	-	-	-		
13	19200-KRH-620ZB	SHROUD SET, L. TANK(WL)								
		TYPE2.....	1	-	-	-	-	-	-----	3LA,DK
	19200-KRH-620ZA	*TYPE3*.....	1	-	-	-	-	-		
	19200-KRH-620ZC	*TYPE1*.....	1	-	-	-	-	-		
	19200-KRH-G30ZA	*TYPE3*.....	-	1	-	-	-	-		
	19200-KRH-G30ZB	*TYPE2*.....	-	1	-	-	-	-		
	19200-KRH-G30ZC	*TYPE1*.....	-	1	-	-	-	-		
	19200-KRH-640ZA	*TYPE2*.....	-	-	1	-	-	-		
	19200-KRH-640ZB	*TYPE1*.....	-	-	1	-	-	-		
	19200-KRH-660ZB	*TYPE2*.....	-	-	-	1	-	-	-----	1LA,3LA,AG,CO,DK,MX,NZ,PE
	19200-KRH-660ZA	*TYPE3*.....	-	-	-	1	-	-		
	19200-KRH-660ZC	*TYPE1*.....	-	-	-	1	-	-		
	19200-KRH-H10ZA	*TYPE1*.....	-	-	-	-	1	-		
	19200-KRH-G00ZA	*TYPE2*.....	-	-	-	-	-	1		
	19200-KRH-G00ZB	*TYPE1*.....	-	-	-	-	-	1		
	19200-KRH-G00ZC	*TYPE3 1*.....	-	-	-	-	-	1		
14	37101-KRH-900	RUBBER, SPEEDOMETER	1	1	1	1	1	1		
15	83551-KRH-D20	GROMMET, SIDE COVER	2	2	2	2	2	2		
16	90116-KRH-900	BOLT, FLANGE, 6MM	4	4	4	4	4	4		
17	90381-KRH-900	SCREW, SPECIAL, 6X8	2	2	2	2	2	2		
18	90509-KRH-900	COLLAR, SIDE MOUNTING	1	1	1	1	1	1		
19	90651-KRM-R20	CLIP C9, TUBE	1	1	1	1	1	1		
20	95002-02080	CLIP, TUBE(B8)	1	1	1	1	1	1		
21	95701-08032-00	BOLT, FLANGE, 8X32	1	1	1	1	1	1		
22	96001-06018-00	BOLT, FLANGE, 6X18	1	1	1	1	1	1		
23	17505-KRH-G00ZA	TANK SET, FUEL(WL)								
		TYPE2.....	-	1	-	-	-	1		
	17505-KRH-G00ZB	*TYPE1*.....	-	1	-	-	-	1		
	17505-KRH-G00ZC	*TYPE3*.....	-	1	-	-	-	1		
24	19040-KRH-G20	JOINT, SHROUD	-	-	-	-	-	1	-----	CL
25	33741-KYY-901	REFLECTOR, REFLEX(AMBER)	-	-	-	-	-	2	-----	CL
26	90301-088-660	NUT, SPECIAL, 6MM	-	-	-	-	-	2	-----	CL



F-23

SEAT



Ref. No.	L.O.N.	(Relative ref. Number) Description	F.R.T.
2	4131E4	SEAT :DOUBLE	0.1

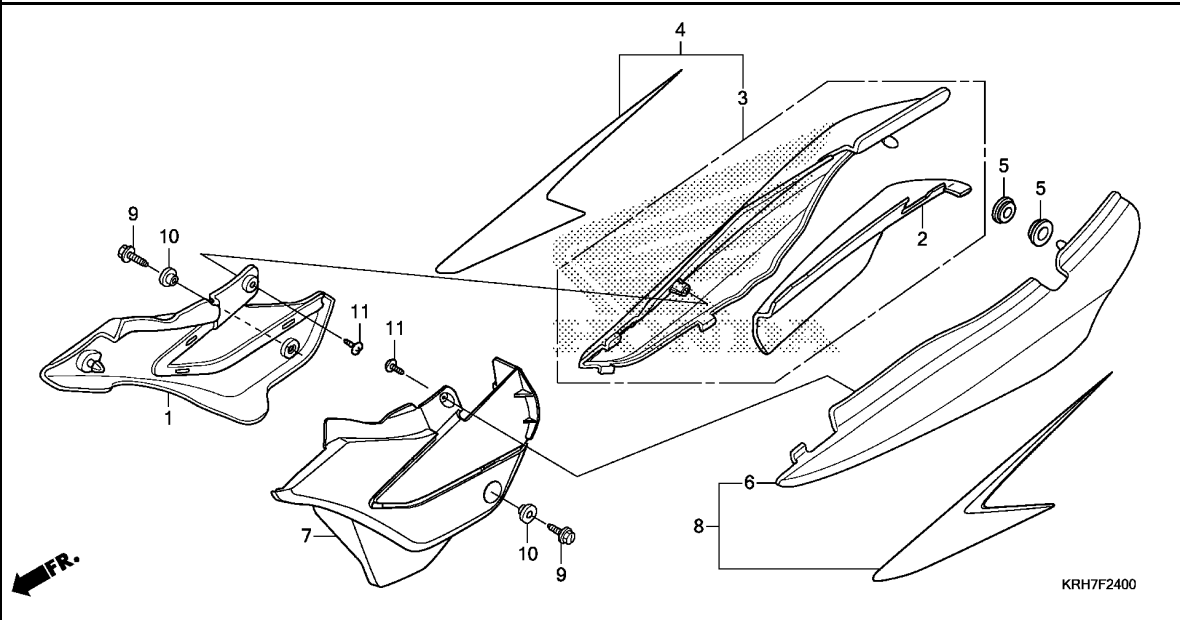
KRH7F2300

3

Ref. No.	Part No.	Description	Reqd. QTY						Serial No.	Parts catalogue code
			XR 125 LEK E	XR 125 LEK J	XL 125 LEK E	XR 150 LEK E	XR 150 LEK H	XR 150 LEK J		
1	77103-KRH-900	COLLAR, SEAT SETTING	2	2	2	2	2	2		
2	77200-KRH-780ZB	SEAT COMP., DOUBLE *TYPE1*	1	1	1	1	1	1		
3	77205-286-000	RUBBER B, SEAT SETTING	6	6	6	6	6	6		
4	80112-KRH-D20	CUSHION, TAILLIGHT	2	2	2	2	2	2		
5	95701-06025-00	BOLT, FLANGE, 6X25	2	2	2	2	2	2		

F-24

SIDE COVER

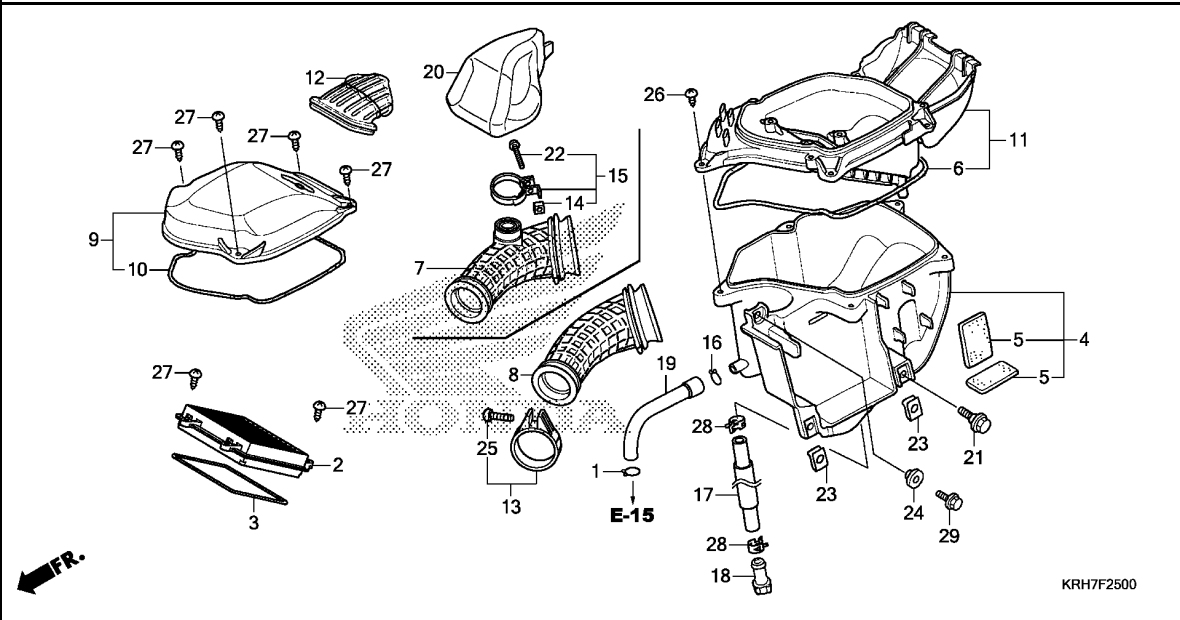


Ref. No.	L.O.N.	(Relative ref. Number) Description	F.R.T.
1		(3,4)	
4111H9		COVER, SIDE :RIGHT	0.1
7		(6,8)	
4111H8		COVER, SIDE :LEFT	0.1
4111J0		COVER, SIDE :BOTH	0.1

Ref. No.	Part No.	Description	Reqd. QTY						Serial No.	Parts catalogue code
			XR 125 LEK E	XR 125 LEK J	XL 125 LEK E	XR 150 LEK E	XR 150 LEK H	XR 150 LEK J		
1	83501-KRH-900ZA	COVER, R. FR. SIDE *NH1*.....BLACK	1	1	1	1	1	1		
2	83503-KRE-900	GUARD, SIDE COWL HEAT	1	1	1	1	1	1		
3	83510-KRH-900ZB	COVER SET, R. SIDE *NH196*.....ROSS WHITE	1	1	1	-	-	1		
	83510-KRH-900ZA	*NH1*.....BLACK	-	1	-	-	-	1		
4	83550-KRH-660ZA	COVER SET, R. SIDE(WL) *TYPE1*.....	-	-	-	1	-	-		
	83550-KRH-H10ZB	*TYPE1 1*.....	-	-	-	-	1	-		
5	83551-376-000	GROMMET, SIDE COVER	2	2	2	2	2	2		
6	83600-KRH-900ZB	COVER, L. SIDE *NH196*.....ROSS WHITE	1	1	1	-	-	1		
	83600-KRH-900ZA	*NH1*.....BLACK	-	1	-	-	-	1		
7	83601-KRH-900ZA	COVER, L. FR. SIDE *NH1*.....BLACK	1	1	1	1	1	1		
8	83650-KRH-660ZA	COVER SET, L. SIDE(WL) *TYPE1*.....	-	-	-	1	-	-		
	83650-KRH-H10ZA	*TYPE1*.....	-	-	-	-	1	-		
9	90112-KRH-900	BOLT, SPECIAL, 6X14	2	2	2	2	2	2		
10	90522-KRH-900	WASHER, CHAIN CASE	2	2	2	2	2	2		
11	93913-24120	SCREW, TAPPING, 4X10	2	2	2	2	2	2		

F-25

AIR CLEANER



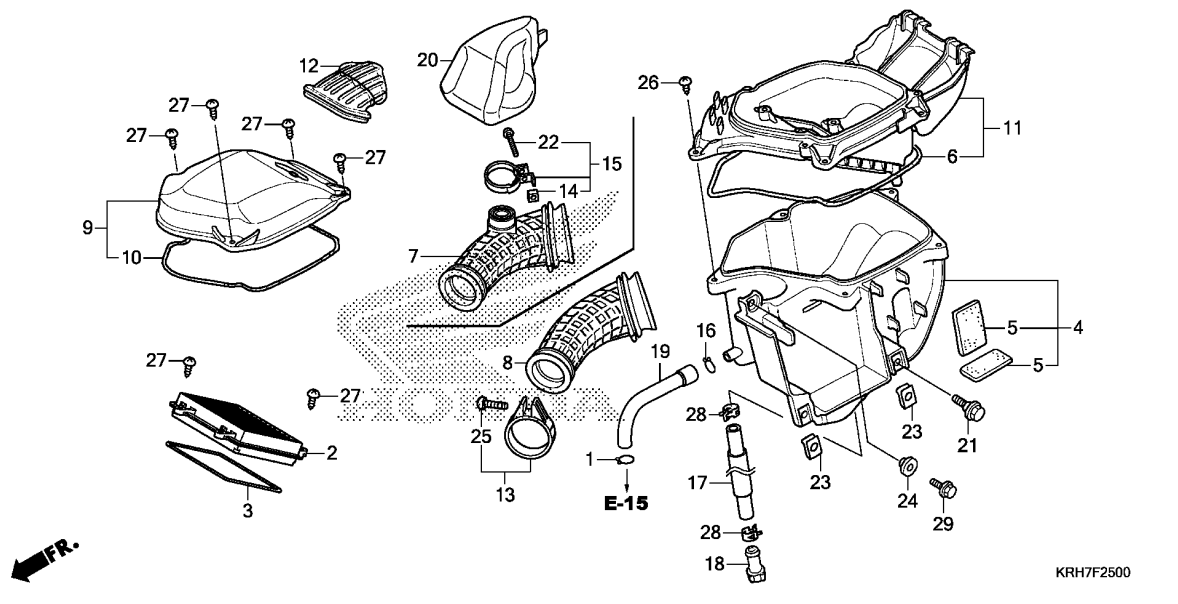
Ref. No.	L.O.N.	(Relative ref. Number) Description	F.R.T.
2		(3)	
	312105	ELEMENT, AIR CLEANER	0.2
4	3121A5	CASE, AIR CLEANER	0.8
8		(7)	
	3121B6	TUBE, AIR CLEANER CONNECTING .	0.4
9		(12)	
	312102	COVER, AIR CLEANER CASE	0.2
11	3121D0	CASE, AIR CLEANER :MIDDLE	0.5
20	3121C1	RESONATOR	0.1

3

Ref. No.	Part No.	Description	Reqd. QTY						Serial No.	Parts catalogue code
			XR 125 LEK E	XR 125 LEK J	XL 125 LEK E	XR 150 LEK E	XR 150 LEK H	XR 150 LEK J		
1	15772-KVC-900	CLIP, TUBE	1	1	1	1	1	1		
2	17211-KRH-780	ELEMENT COMP., AIR CLEANER ..	1	1	1	1	1	1		
3	17214-KRH-780	SEAL, SEPARATOR	1	1	1	1	1	1		
4	17215-KRH-900	CASE SUB ASSY., AIR CLEANER .	1	1	1	1	1	1		
5	17217-KRH-900	SPACER B, BATTERY	2	2	2	2	2	2		
6	17219-KRE-900	SEAL, AIR CLEANER	1	1	1	1	1	1		
7	17222-KRH-650	TUBE, AIR CLEANER CONNECTING	-	-	-	1	1	1		
8	17222-KRH-780	TUBE, AIR CLEANER CONNECTING	1	1	1	-	-	-		
9	17225-KRH-A00	COVER SUB ASSY., AIR CLEANER	1	1	1	1	1	1		
10	17229-KRE-900	SEAL, AIR CLEANER(DIRTY)	1	1	1	1	1	1		
11	17235-KRH-780	SEPARATOR SUB ASSY., AIR CLEANER	1	1	1	1	1	1		
12	17240-KRH-900	DUCT, INLET	1	1	1	-	-	-		
	17240-KRE-900	-	-	-	1	1	1		
13	17254-KRH-900	BAND, AIR CLEANER CONNECTING TUBE(44)	1	1	1	-	-	-		
	17256-K01-900	-	-	-	1	1	1		
14	17255-KRM-860	NUT, SQUARE, 5MM	-	-	-	1	1	1		
15	17256-KRH-650	BAND, AIR CLEANER CONNECTING TUBE(28.5MM)	-	-	-	1	1	1		
16	17316-KRH-900	CLIP, BREATHER TUBE	1	1	1	1	1	1		
17	17363-KRH-650	TUBE, BREATHER DRAIN	1	1	1	1	1	1		
18	17370-419-700	PLUG, BREATHER TUBE	1	1	1	1	1	1		
19	17373-KRE-850	TUBE, BREATHER	1	1	1	1	1	1		
20	17410-KRE-B00	RESONATOR	-	-	-	1	1	1		

F-25

AIR CLEANER

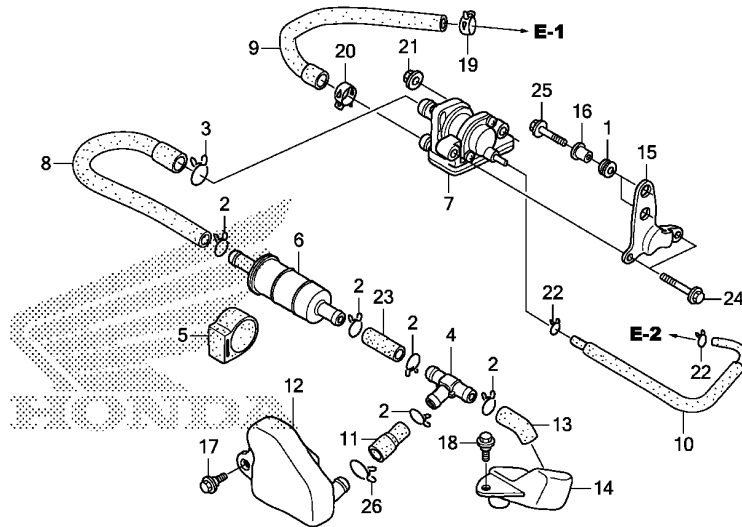


KRH7F2500

Ref. No.	Part No.	Description	Reqd. QTY						Serial No.	Parts catalogue code
			XR 125 LEK E	XR 125 LEK J	XL 125 LEK E	XR 150 LEK E	XR 150 LEK H	XR 150 LEK J		
21	90115-KRH-900	BOLT, FLANGE, 6MM	1	1	1	1	1	1		
22	93500-05022-0A	SCREW, PAN, 5X22	-	-	-	1	1	1		
23	90311-KRH-900	NUT, CLIP, 6MM	2	2	2	2	2	2		
24	90522-KRH-900	WASHER, CHAIN CASE	1	1	1	1	1	1		
25	93500-05028-0G	SCREW, PAN, 5X28	1	1	1	-	-	-		
26	93903-25380	SCREW, TAPPING, 5X16	5	5	5	5	5	5		
27	93903-25510	SCREW, TAPPING, 5X25	8	8	8	8	8	8		
28	95002-41050-00	CLAMP, TUBE(D10.5)	2	2	2	2	2	2		
29	95701-06012-00	BOLT, FLANGE, 6X12	1	1	1	1	1	1		

F-25-20

AIR SUCTION VALVE



KRH7F2520B

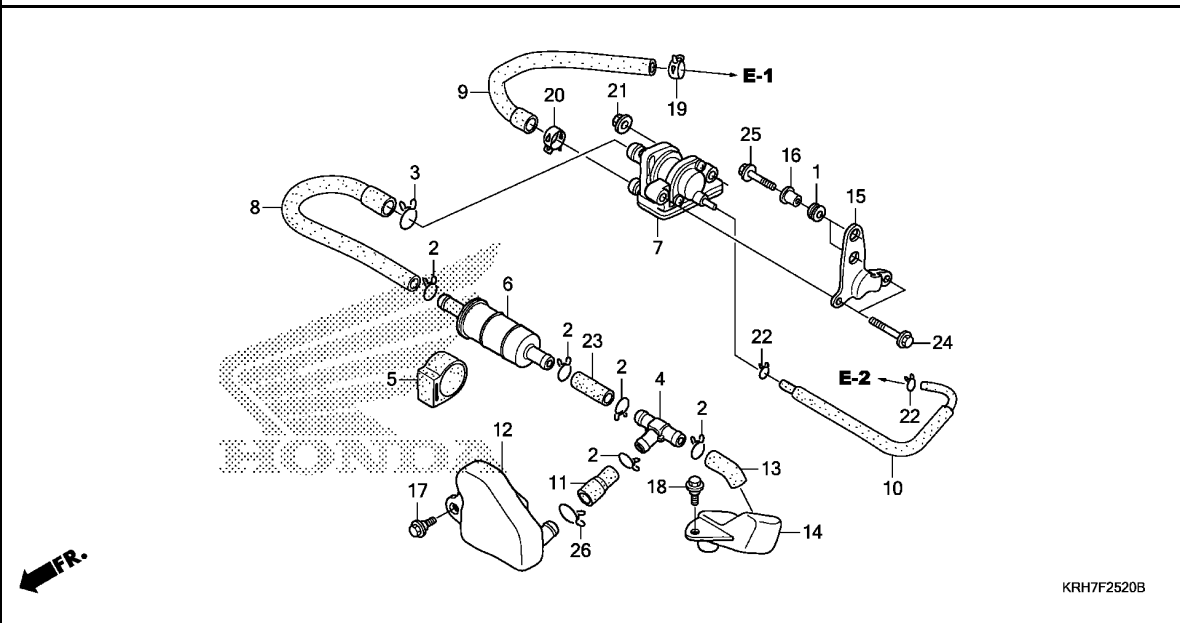
Ref. No.	L.O.N.	(Relative ref. Number) Description	F.R.T.
7	314130	VALVE, SECONDARY AIR CONTROL	0.3

3

Ref. No.	Part No.	Description	Reqd. QTY						Serial No.	Parts catalogue code
			XR 125 LEK E	XR 125 LEK J	XL 125 LEK E	XR 150 LEK E	XR 150 LEK H	XR 150 LEK J		
1	11344-KRH-900	GROMMET A, RR. COVER	2	2	2	2	2	2		
2	15772-500-013	CLIP, BREATHER TUBE	5	5	5	5	5	5		
3	15772-GW3-980	CLIP, BREATHER TUBE	1	1	1	1	1	1		
4	16180-KRH-901	T-JOINT	1	1	1	1	1	1		
5	16905-KRH-900	CUSHION, FUEL STRAINER	1	1	1	1	1	1		
6	17260-KRH-900	FILTER COMP., AIR	1	1	1	1	1	1		
7	18600-KRH-A01 18600-KRH-651	VALVE ASSY., AIR SUCTION	1	1	1	-	-	-		
8	18601-KRH-D20	TUBE, SUCTION	1	1	1	1	1	1		
9	18602-KRH-A00	TUBE, REED VALVE	1	1	1	1	1	1		
10	18604-KRH-A00	TUBE, AIR SUCTION VALVE CONTROL	1	1	1	1	1	1		
11	18605-KRH-D20	TUBE, EXCHANGE	1	1	1	1	1	1		
12	18610-KRH-D20	SUB TANK, RESONATOR	1	1	1	1	1	1		
13	18656-KRH-900	TUBE A, INNLET	1	1	1	1	1	1		
14	18657-KRH-D20	CASE, WATER INLET	1	1	1	1	1	1		
15	50543-KRH-A00	BRACKET, AIR SUCTION VALVE ..	1	1	1	1	1	1		
16	83119-KRH-900	COLLAR, LOCK SETTING	2	2	2	2	2	2		
17	90101-KRH-900	BOLT, FLANGE, 6MM	1	1	1	1	1	1		
18	90110-KRH-900	BOLT, FLANGE, 6MM	1	1	1	1	1	1		
19	90678-KRH-900	CLIP, HOSE	1	1	1	1	1	1		
20	91405-KRH-900	CLAMP, TUBE(D17)	1	1	1	1	1	1		
21	94050-06000	NUT, FLANGE, 6MM	2	2	2	2	2	2		
22	95002-02070	CLIP, TUBE(B7)	2	2	2	2	2	2		

F-25-20

AIR SUCTION VALVE

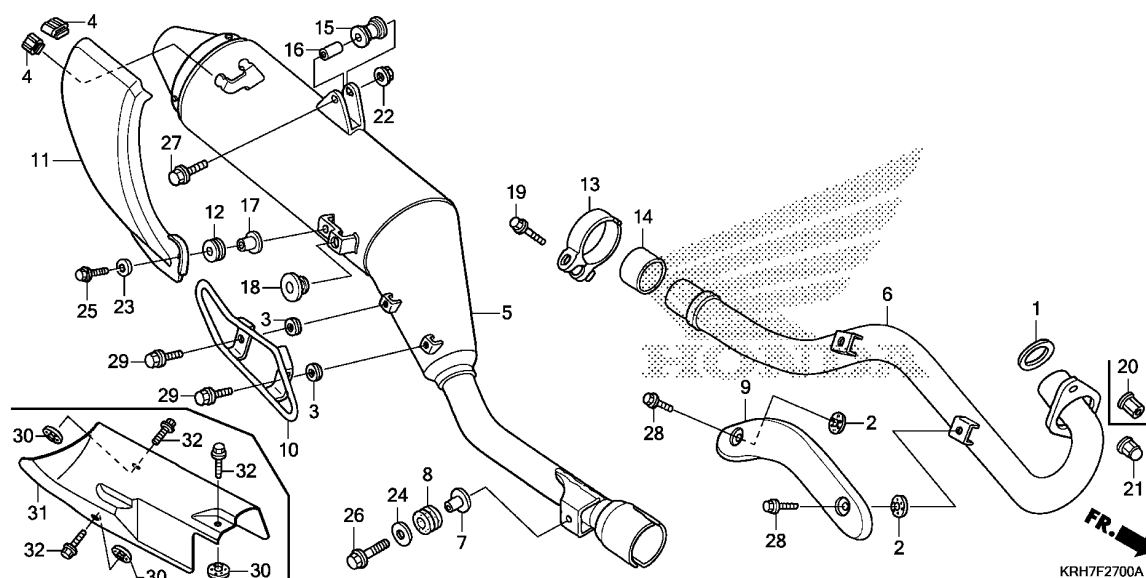


Ref. No.	Part No.	Description	Reqd. QTY						Serial No.	Parts catalogue code
			XR 125 LEK E	XR 125 LEK J	XL 125 LEK E	XR 150 LEK E	XR 150 LEK H	XR 150 LEK J		
23	95005-80035-20	TUBE, 8X35(95005-80001-20M) .	1	1	1	1	1	1		
24	95701-06016-00	BOLT, FLANGE, 6X16	2	2	2	2	2	2		
25	95701-06020-00	BOLT, FLANGE, 6X20	2	2	2	2	2	2		
26	15771-KV6-000	CLIP, OIL DRAIN TUBE	1	1	1	1	1	1		

3

F-27

EXHAUST MUFFLER



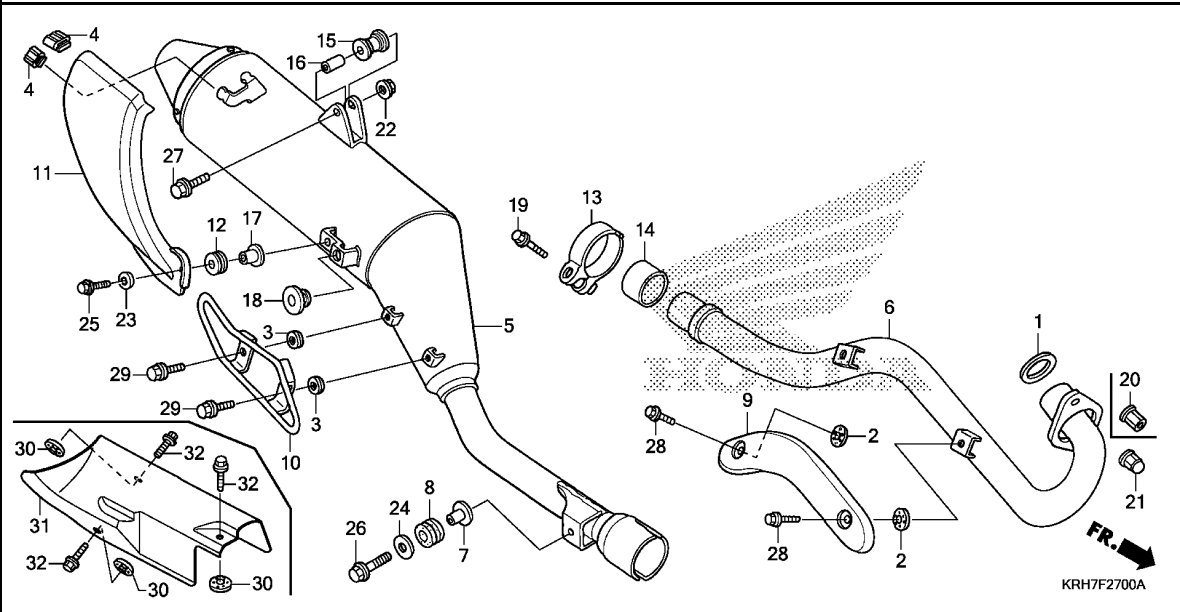
Ref. No.	L.O.N.	(Relative ref. Number) Description	F.R.T.
1	3131B4	GASKET, EXHAUST PIPE	0.2
5	313120	MUFFLER	0.3
6	313110	PIPE, EXHAUST	0.2
9	3131A6	PROTECTOR, EXHAUST PIPE	0.1
10	3131H1	GUARD, MUFFLER	0.1
11	313121	PROTECTOR, MUFFLER	0.1

3

Ref. No.	Part No.	Description	Reqd. QTY						Serial No.	Parts catalogue code
			XR 125 LEK E	XR 125 LEK J	XL 125 LEK E	XR 150 LEK E	XR 150 LEK H	XR 150 LEK J		
1	18291-KRH-900	GASKET, EX. PIPE	1	1	1	1	1	1		
2	18292-KBR-000	PACKING, PROTECTOR	2	2	2	2	2	2		
3	18292-KPE-900	PACKING, PROTECTOR	2	2	2	2	2	2		
4	18293-MNO-000	RUBBER, PROTECTOR	2	2	2	2	2	2		
5	18305-KRH-900	MUFFLER SUB ASSY.	1	1	1	1	1	-		
	18305-KRH-G00	-	-	-	-	-	1	-----	1LA,3LA,DK,NZ,SA CL,PE
6	18320-KRH-780	PIPE COMP., EX.	1	1	1	-	-	-		
	18320-KRH-650	-	-	-	1	1	1		
7	18327-KRH-900	COLLAR, CHAMBER RR.(8.5X15) -	1	1	1	1	1	1		
8	18328-KRH-D20	RUBBER, CHAMBER RR. MOUNTING	1	1	1	1	1	1		
	18328-KRH-G00	-	-	-	-	-	1	-----	1LA,3LA,DK,NZ,SA CL,PE
9	18345-KRH-900ZA	PROTECTOR, EX. PIPE *NH106*.....HEAT PROOF BLACK	1	1	1	1	1	1		
10	18350-KRH-900	GUARD, MUFFLER	1	1	1	1	1	1		
11	18355-KRH-900	PROTECTOR COMP., MUFFLER	1	1	1	1	1	1		
12	18357-MCG-000	RUBBER, PROTECTOR MOUNTING ..	1	1	1	1	1	1		
13	18373-KRH-900	BAND, EX. PIPE	1	1	1	1	1	1		
14	18391-KRH-901	PACKING, MUFFLER	1	1	1	1	1	1		
15	18421-KFB-000	RUBBER, MUFFLER MOUNTING	1	1	1	1	1	1		
16	18422-KRH-900	COLLAR, MUFFLER MOUNTING	1	1	1	1	1	1		
17	83119-MG9-000	COLLAR, LOCK SETTING	1	1	1	1	1	1		
18	83512-KRH-900	RUBBER, SIDE COVER	1	1	1	1	1	1		
19	90117-KRH-900	BOLT, FLANGE, 8X40	1	1	1	1	1	1		

F-27

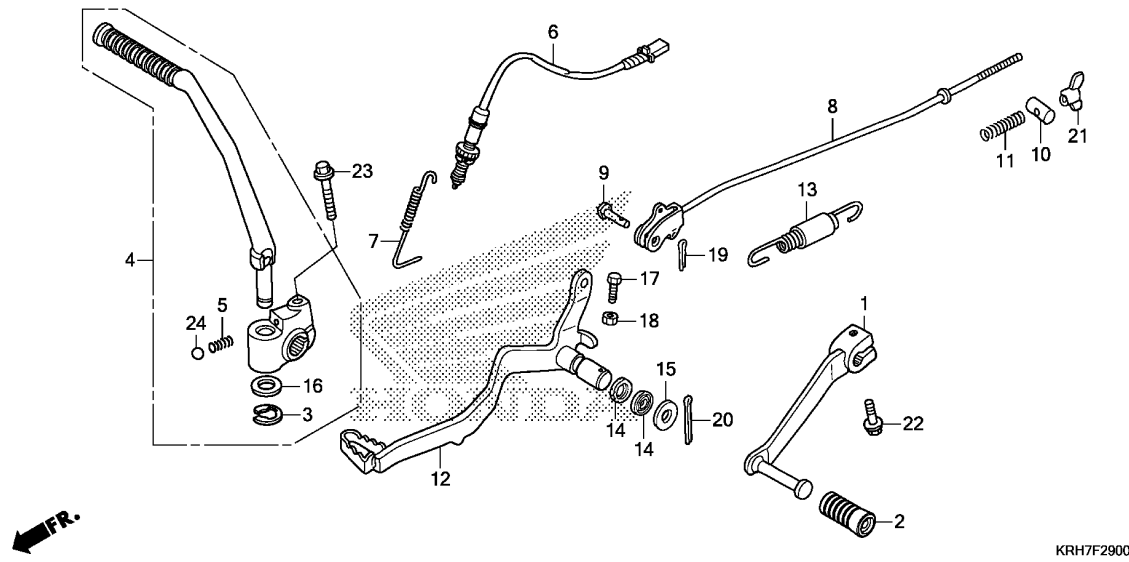
EXHAUST MUFFLER



Ref. No.	Part No.	Description	Reqd. QTY						Serial No.	Parts catalogue code
			XR 125 LEK E	XR 125 LEK J	XL 125 LEK E	XR 150 LEK E	XR 150 LEK H	XR 150 LEK J		
20	90305-KRH-650	NUT, SPECIAL, 8MM	-	-	-	2	2	2		
21	90305-KSP-900	NUT, EXHAUST PIPE, 8MM	2	2	2	-	-	-		
22	94050-08070	NUT, FLANGE, 8MM	1	1	1	1	1	1		
23	94101-06800	WASHER, PLAIN, 6MM	1	1	1	1	1	1		
24	94103-08700	WASHER, PLAIN, 8MM	1	1	1	1	1	1		
25	95701-06014-00	BOLT, FLANGE, 6X14	1	1	1	1	1	1		
26	95701-08030-07	BOLT, FLANGE, 8X30	1	1	1	1	1	1		
27	95701-08045-07	BOLT, FLANGE, 8X45	1	1	1	1	1	1		
28	96001-06010-02	BOLT, FLANGE, 6X10	2	2	2	2	2	2		
29	96001-06010-07	BOLT, FLANGE, 6X10	2	2	2	2	2	2		
30	18292-KBR-000	PACKING, PROTECTOR	-	-	-	-	-	3	-----	----- CL,PE
31	18360-KRH-G00	PROTECTOR, FR.	-	-	-	-	-	1	-----	----- CL,PE
32	95701-06010-07	BOLT, FLANGE, 6X10	-	-	-	-	-	3	-----	----- CL,PE

F-29

PEDAL



Ref. No.	L.O.N.	(Relative ref. Number) Description	F.R.T.
1	4101A1	PEDAL, GEAR CHANGE	0.1
4	112107	ARM, KICK STARTER	0.1
6	6151B5	SWITCH, REAR STOP :PEDAL SIDE	0.3
8	811135	ROD, REAR BRAKE	0.2
12	810160	PEDAL, REAR BRAKE	0.2

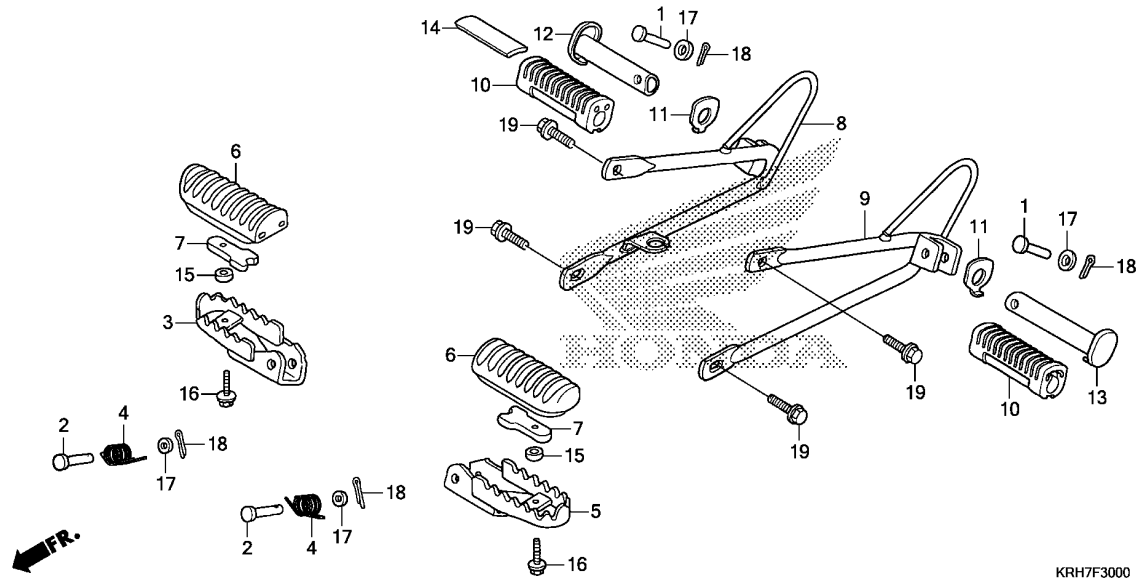
KRH7F2900

3

Ref. No.	Part No.	Description	Reqd. QTY						Serial No.	Parts catalogue code
			XR 125 LEK E	XR 125 LEK J	XL 125 LEK E	XR 150 LEK E	XR 150 LEK H	XR 150 LEK J		
1	24710-KRH-900	PEDAL COMP., CHANGE	1	1	1	1	1	1		
2	24781-KRH-900	RUBBER, CHANGE PEDAL	1	1	1	1	1	1		
3	28293-KRM-860	CLIP, KICK STARTER ARM	1	1	1	1	1	1		
4	28300-KRH-920	ARM ASSY., KICK STARTER	1	1	1	1	1	1		
5	28333-KK0-000	SPRING, KICK STARTER	1	1	1	1	1	1		
6	35350-KRH-601	SWITCH ASSY., RR. STOP	1	1	1	1	1	1		
7	35357-KRH-900	SPRING, STOP SWITCH	1	1	1	1	1	1		
8	43451-KRH-780	ROD COMP., RR. BRAKE	1	1	1	1	1	1		
9	43455-KRH-900	PIN C, JOINT	1	1	1	1	1	1		
10	43456-KRH-900	JOINT B, BRAKE ARM	1	1	1	1	1	1		
11	43472-KB9-750	SPRING A, BRAKE ROD	1	1	1	1	1	1		
12	46500-KRH-900	PEDAL COMP., BRAKE	1	1	1	1	1	1		
13	46513-KRH-900	SPRING SET, BRAKE PEDAL	1	1	1	1	1	1		
14	46525-KRH-900	DUST SEAL, 17X20X2.5	2	2	2	2	2	2		
15	90501-KRH-900	WASHER, BUSH	1	1	1	1	1	1		
16	90505-KRM-860	WASHER, 15.5X22	1	1	1	1	1	1		
17	92101-06020-0A	BOLT, HEX., 6X20	1	1	1	1	1	1		
18	94001-06200-0S	NUT, HEX., 6MM	1	1	1	1	1	1		
19	94201-20120	PIN, SPLIT, 2.0X12	1	1	1	1	1	1		
20	94201-30280	PIN, SPLIT, 3.0X28	1	1	1	1	1	1		
21	95015-42000	NUT B, BRAKE ROD ADJUSTING ..	1	1	1	1	1	1		
22	95701-06020-00	BOLT, FLANGE, 6X20	1	1	1	1	1	1		
23	95701-08035-00	BOLT, FLANGE, 8X35	1	1	1	1	1	1		
24	96211-08000	BALL, STEEL, #8(1/4)	1	1	1	1	1	1		

F-30

STEP

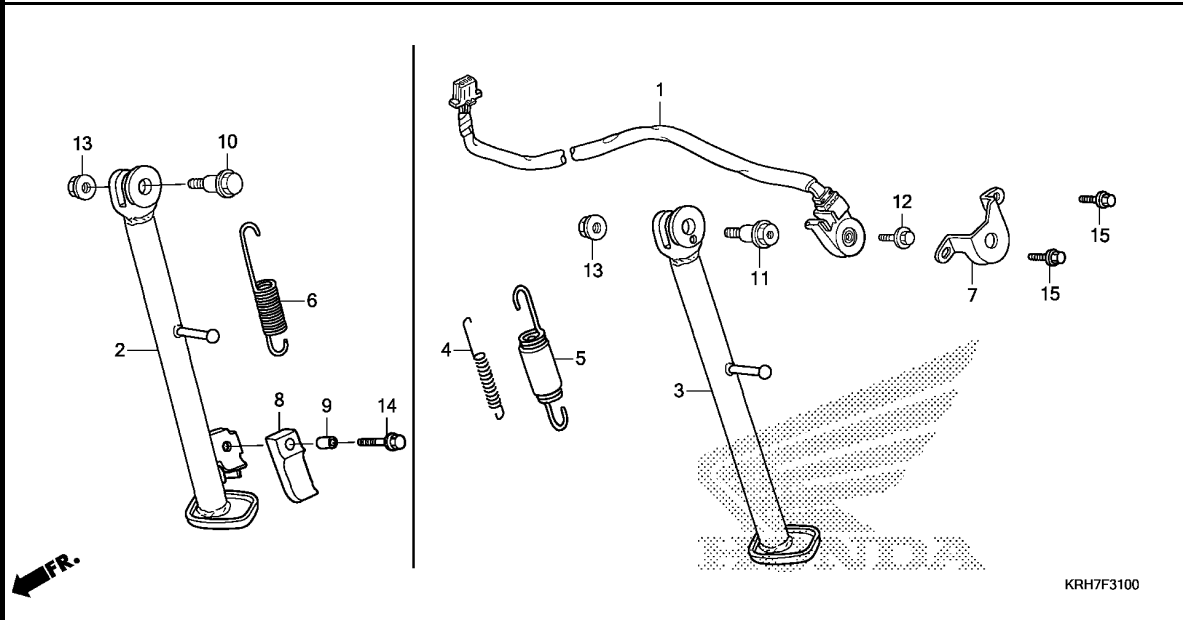


Ref. No.	L.O.N.	(Relative ref. Number) Description	F.R.T.
3	4101C6	BAR, MAIN STEP :RIGHT	0.2
5	4101C5	BAR, MAIN STEP :LEFT	0.2
	4101J1	BAR, MAIN STEP :BOTH	0.3
6	4101D3	RUBBER, STEP :LEFT	0.1
	4101D4	RUBBER, STEP :RIGHT	0.1
	4101L8	RUBBER, STEP :BOTH	0.2
8	4101D0	BRACKET, PILLION STEP :RIGHT ..	0.1
9	4101C9	BRACKET, PILLION STEP :LEFT ..	0.1
	4101K4	BRACKET, PILLION STEP :BOTH ..	0.2
12	(10)		
13	4101C8	BAR, PILLION STEP :RIGHT	0.1
	(10)		
	4101C7	BAR, PILLION STEP :LEFT	0.1
	4101P4	BAR, PILLION STEP :BOTH	0.2

Ref. No.	Part No.	Description	Reqd. QTY						Serial No.	Parts catalogue code
			XR 125 LEK E	XR 125 LEK J	XL 125 LEK E	XR 150 LEK E	XR 150 LEK H	XR 150 LEK J		
1	50603-KEJ-900	PIN, MAIN STEP BAR JOINT (PILLION)	2	2	2	2	2	2		
2	50603-KRH-900	PIN, STEP BAR JOINT	2	2	2	2	2	2		
3	50612-KRH-900	STEP COMP., R.	1	1	1	1	1	1		
4	50617-KRH-900	SPRING, STEP RETURN	2	2	2	2	2	2		
5	50642-KRH-900	STEP COMP., L.	1	1	1	1	1	1		
6	50661-KRH-900	RUBBER, STEP	2	2	-	2	2	2		
7	50662-KRH-900	PLATE, STEP RUBBER SETTING ..	2	2	-	2	2	2		
8	50701-KRH-900	BRACKET COMP., R. PILLION STEP	1	1	1	1	1	1		
9	50706-KRH-900	BRACKET COMP., L. PILLION STEP	1	1	1	1	1	1		
10	50710-KGA-940	RUBBER, PILLION STEP	2	2	2	2	2	2		
11	50712-KRH-900	PLATE, PILLION STEP	2	2	2	2	2	2		
12	50713-KRH-900	BAR, R. PILLION STEP	1	1	1	1	1	1		
13	50714-KRH-900	BAR, L. PILLION STEP	1	1	1	1	1	1		
14	50715-KRH-900	WEIGHT, PILLION STEP	1	1	1	1	1	1		
15	52156-KRH-900	COLLAR, 6.5X4	2	2	-	2	2	2		
16	90112-GW3-000	BOLT, FLANGE, 6X14	2	2	-	2	2	2		
17	94101-08000	WASHER, PLAIN, 8MM	4	4	4	4	4	4		
18	94201-20150	PIN, SPLIT, 2.0X15	4	4	4	4	4	4		
19	95701-08018-00	BOLT, FLANGE, 8X18	4	4	4	4	4	4		

F-31

STAND



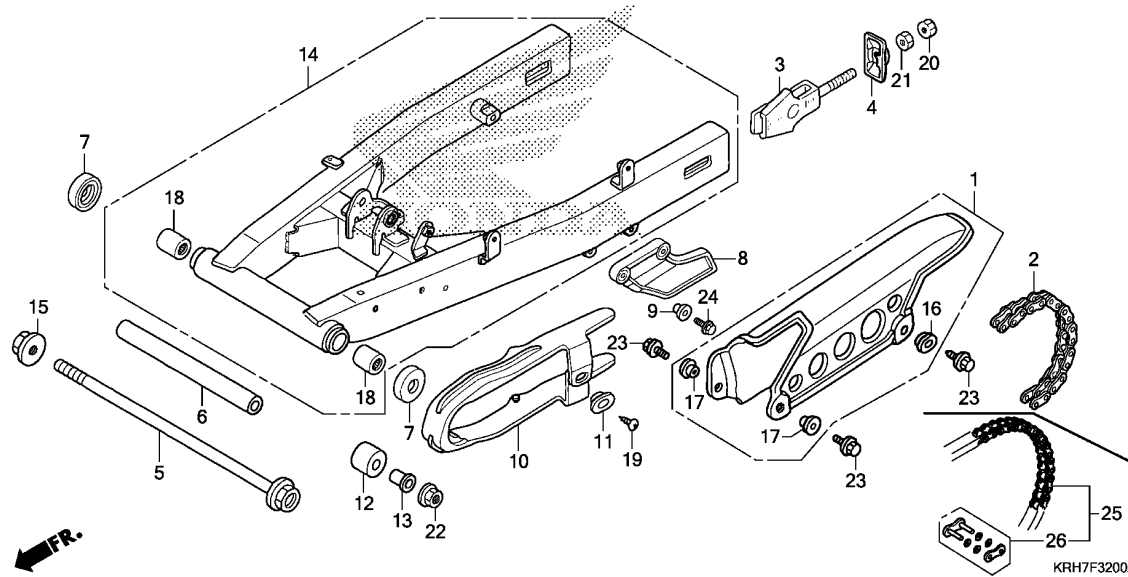
Ref. No.	L.O.N.	(Relative ref. Number) Description	F.R.T.
1	615195	SWITCH, SIDE STAND	0.3
3		(2)	
410180		BAR, SIDE STAND	0.2
5		(4,6)	
410182		SPRING, SIDE STAND	0.1
.NOTE: Same time for two units			

3

Ref. No.	Part No.	Description	Reqd. QTY						Serial No.	Parts catalogue code
			XR 125 LEK E	XR 125 LEK J	XL 125 LEK E	XR 150 LEK E	XR 150 LEK H	XR 150 LEK J		
1	35700-KRH-631	SWITCH ASSY., SIDE STAND	-	-	-	1	1	1	-----	NZ
2	50530-KRH-A00	BAR COMP., SIDE STAND	1	1	-	1	1	1	-----	1LA,3LA,AG,CL,CO,DK,MX,PE,SA
	50530-KRH-780	-	-	1	-	-	-	-----	
3	50530-KRH-900	BAR COMP., SIDE STAND	-	-	-	1	1	1	-----	NZ
4	50538-KRH-900	SPRING, SIDE STAND SUB	-	-	-	1	1	1	-----	NZ
5	50540-KRH-900	SPRING ASSY., SIDE STAND	-	-	-	1	1	1	-----	NZ
6	50540-KRH-920	SPRING, SIDE STAND	1	1	1	1	1	1	-----	1LA,2SA,3LA,AG,CL,CO,DK,MX,PE,SA
7	50547-KRH-900	GUARD, SIDE STAND SWITCH	-	-	-	1	1	1	-----	NZ
8	50548-356-700	RUBBER, STAND	1	1	1	1	1	1	-----	1LA,2SA,3LA,AG,CL,CO,DK,MX,PE,SA
9	50549-356-700	COLLAR, STAND RUBBER SETTING	1	1	1	1	1	1	-----	1LA,2SA,3LA,AG,CL,CO,DK,MX,PE,SA
10	90108-KRH-780	BOLT, SIDE STAND PIVOT	1	1	1	1	1	1	-----	1LA,2SA,3LA,AG,CL,CO,DK,MX,PE,SA
11	90108-KRH-900	BOLT, SIDE STAND PIVOT	-	-	-	1	1	1	-----	NZ
12	90147-MCE-950	BOLT, SPECIAL, 6X16	-	-	-	1	1	1	-----	NZ
13	90203-MF9-710	NUT, SIDE STAND	1	1	1	1	1	1	-----	
14	95701-06025-07	BOLT, FLANGE, 6X25	1	1	1	1	1	1	-----	1LA,2SA,3LA,AG,CL,CO,DK,MX,PE,SA
15	96001-06010-07	BOLT, FLANGE, 6X10	-	-	-	2	2	2	-----	NZ

F-32

SWINGARM

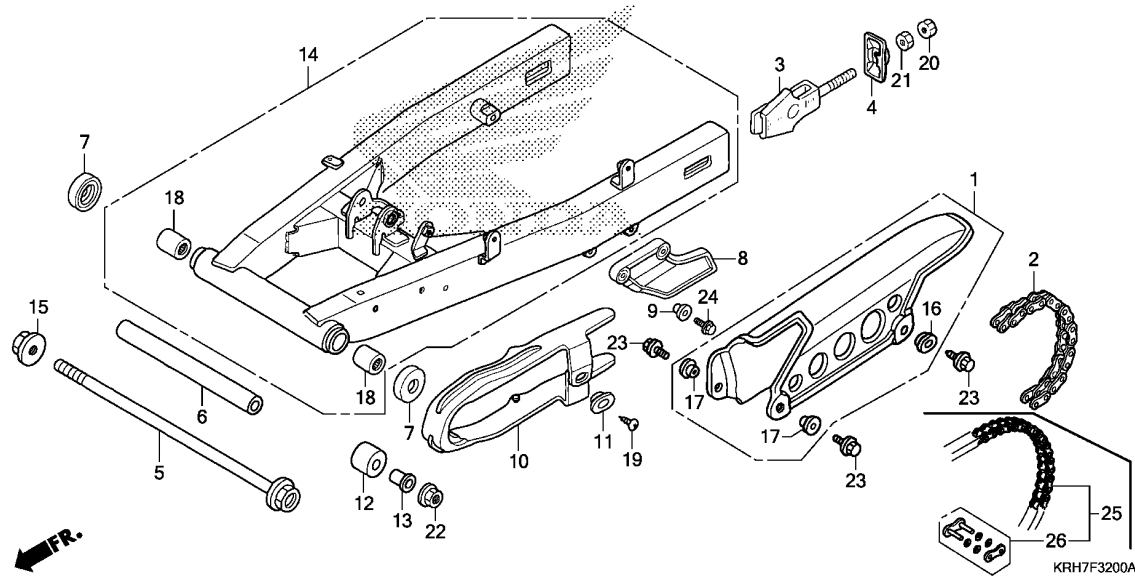


Ref. No.	L.O.N.	(Relative ref. Number) Description	F.R.T.
1	410195	CASE, DRIVE CHAIN	0.1
2	2131M1	CHAIN, DRIVE(ENDLESS)	0.6
6	5121H5	COLLAR, SWINGARM	0.7
8	4101J3	GUARD, CHAIN	0.1
10	4101E5	SLIDER, CHAIN	0.3
12	4101E4	ROLLER, CHAIN TENSIONER	0.1
14	5121B0	SWINGARM ASSEMBLY	0.9
18	5121C8	BEARING, SWINGARM PIVOT :LEFT	1.0
	5121C9	BEARING, SWINGARM PIVOT :RIGHT	1.0
	5121D0	BEARING, SWINGARM PIVOT :BOTH	1.2
25	213165	CHAIN, DRIVE	0.4

Ref. No.	Part No.	Description	Reqd. QTY						Serial No.	Parts catalogue code
			XR 125 LEK E	XR 125 LEK J	XL 125 LEK E	XR 150 LEK E	XR 150 LEK H	XR 150 LEK J		
1	40510-KRH-900	CASE, DRIVE CHAIN	1	1	1	1	1	1		
2	40530-KRH-781	CHAIN, DRIVE(CHOHO) (428H0-130LE)	1	1	1	1	1	1		
3	40543-KRH-900	ADJUSTER, CHAIN	2	2	2	2	2	2		
4	40546-KRH-900	CAP, RR. FORK END	2	2	2	2	2	2		
5	52101-KRH-900	BOLT, SWINGARM PIVOT	1	1	1	1	1	1		
6	52141-KRH-900	COLLAR, SWINGARM PIVOT CENTER DISTANCE	1	1	1	1	1	1		
7	52144-356-003	CAP, SWINGARM DUST SEAL(ARAI)	2	2	2	2	2	2		
	52144-356-005	CAP, SWINGARM DUST SEAL(NOK)	2	2	2	2	2	2		
8	52155-KRH-900	GUARD, CHAIN	1	1	1	1	1	1		
9	52159-KRH-900	COLLAR, CHAIN GUARD	2	2	2	2	2	2		
10	52170-KRH-660	SLIDER, CHAIN	1	1	1	1	1	1		
11	52171-KRH-900	WASHER, CHAIN SLIDER	1	1	1	1	1	1		
12	52175-KRE-900	ROLLER, CHAIN	1	1	1	1	1	1		
13	52176-KRH-900	COLLAR, CHAIN ROLLER	1	1	1	1	1	1		
14	52200-KRH-780ZA	SWINGARM SUB ASSY., RR. *NH411M*FORCE SILVER METALLIC	1	-	1	1	1	-		
	52200-K79-E00ZA	*NH411M*FORCE SILVER METALLIC	-	1	-	-	-	1		
15	90305-KYA-601	NUT, FLANGE, 14MM(PT)	1	1	1	1	1	1		
16	90505-KRH-900	WASHER, 6X9	1	1	1	1	1	1		
17	90512-KRH-900	WASHER, 6.5X20	2	2	2	2	2	2		
18	91070-GC4-601	BEARING, NEEDLE, 20X26X20(NTN)	2	2	2	2	2	2		
	91071-KSP-901	BEARING, NEEDLE, 20X26X20 ...	-	2	-	-	-	2		
19	93901-25080	SCREW, TAPPING, 5X8	1	1	1	1	1	1		

F-32

SWINGARM

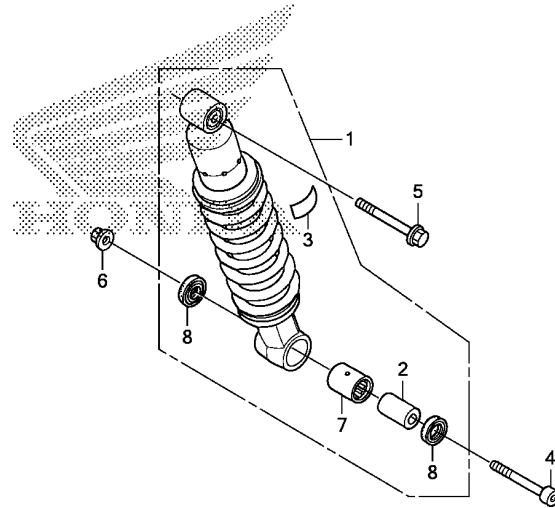


Ref. No.	Part No.	Description	Reqd. QTY						Serial No.	Parts catalogue code
			XR 125 LEK E	XR 125 LEK J	XL 125 LEK E	XR 150 LEK E	XR 150 LEK H	XR 150 LEK J		
20	94002-08000-0S	NUT, HEX., 8MM	2	2	2	2	2	2		
21	94030-08000	NUT, HEX., 8MM	2	2	2	2	2	2		
22	94050-06000	NUT, FLANGE, 6MM	1	1	1	1	1	1		
23	95701-06012-00	BOLT, FLANGE, 6X12	3	3	3	3	3	3		
24	95701-06020-00	BOLT, FLANGE, 6X20	2	2	2	2	2	2		
25	40540-K79-E02	CHAIN, DRIVE(DID) (428V-130ZB)	-	1	-	-	-	-	1	
26	40545-KRH-D21	JOINT, DRIVE CHAIN(DAIDO) ...	-	1	-	-	-	-	1	

3

F-33

REAR CUSHION



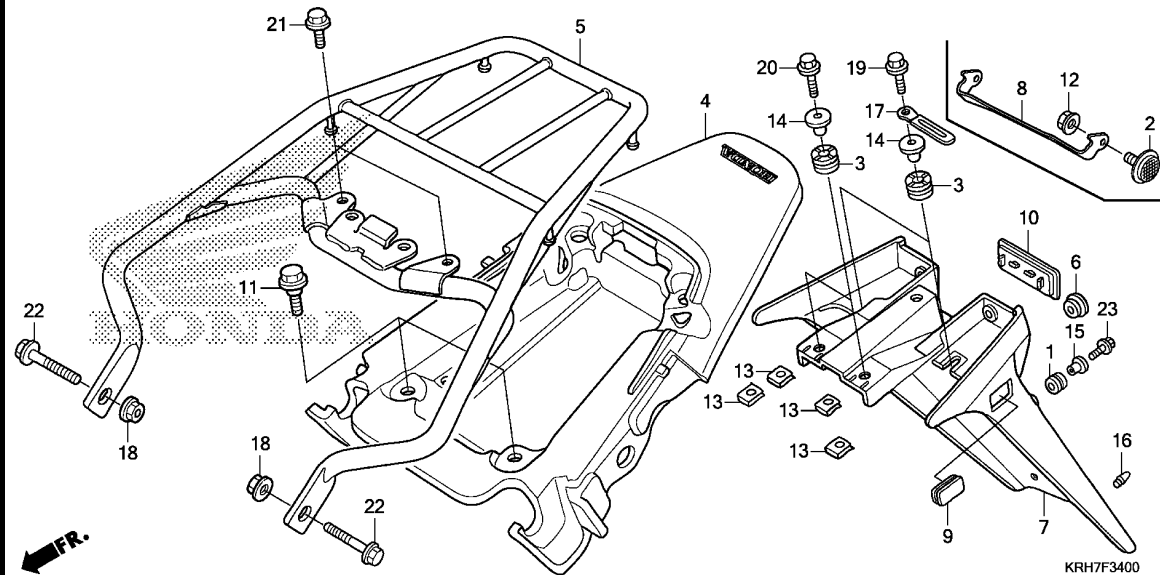
KRH7F3300

Ref. No.	L.O.N.	(Relative ref. Number) Description	F.R.T.
1	512115	CUSHION ASSY., REAR	0.4
7	5121D1	BEARING, REAR CUSHION	0.6

Ref. No.	Part No.	Description	Reqd. QTY						Serial No.	Parts catalogue code
			XR 125 LEK E	XR 125 LEK J	XL 125 LEK E	XR 150 LEK E	XR 150 LEK H	XR 150 LEK J		
1	52400-KRH-901	CUSHION ASSY., RR.	1	-	-	-	-	-		
	52400-KRH-G11	-	1	-	-	-	1	-----	1LA,3LA,CL,PE
	52400-KRH-G01	-	1	-	-	-	1	-----	DK,NZ,SA
	52400-KRH-781	-	-	1	-	-	-		
	52400-KRH-651	-	-	-	1	1	-		
2	52463-KRH-901	COLLAR, CUSHION CONNECTING ROD	1	1	1	1	1	1		
3	87516-KRH-901	LABEL, RR. DAMPER(ENGLISH) ..	1	-	-	1	1	-		
	87516-KFC-910	LABEL, RR. DAMPER CAUTION (SPANISH)	-	1	-	-	-	1	-----	1LA,3LA,CL,PE
	87516-KRH-901	LABEL, RR. DAMPER(ENGLISH) ..	-	1	-	-	-	-	-----	DK,SA
	87516-MCA-G60	LABEL, RR. DAMPER(PICTOGRAPH)	-	-	1	-	-	-		
	87516-KRH-901	LABEL, RR. DAMPER(ENGLISH) ..	-	-	-	-	-	1	-----	DK,NZ,SA
4	90107-MBL-610	BOLT, SOCKET, 10X57	1	1	1	1	1	1		
5	90155-KRH-900	BOLT, FLANGE, 10X52	1	1	1	1	1	1		
6	90304-KYA-601	NUT, FLANGE, 10MM(PT)	1	1	1	1	1	1		
7	91072-KRH-901	BEARING, NEEDLE, 17X24X20 ...	1	1	1	1	1	1		
8	91262-KRH-901	DUST SEAL, 17X24X4	2	2	2	2	2	2		

F-34

REAR FENDER



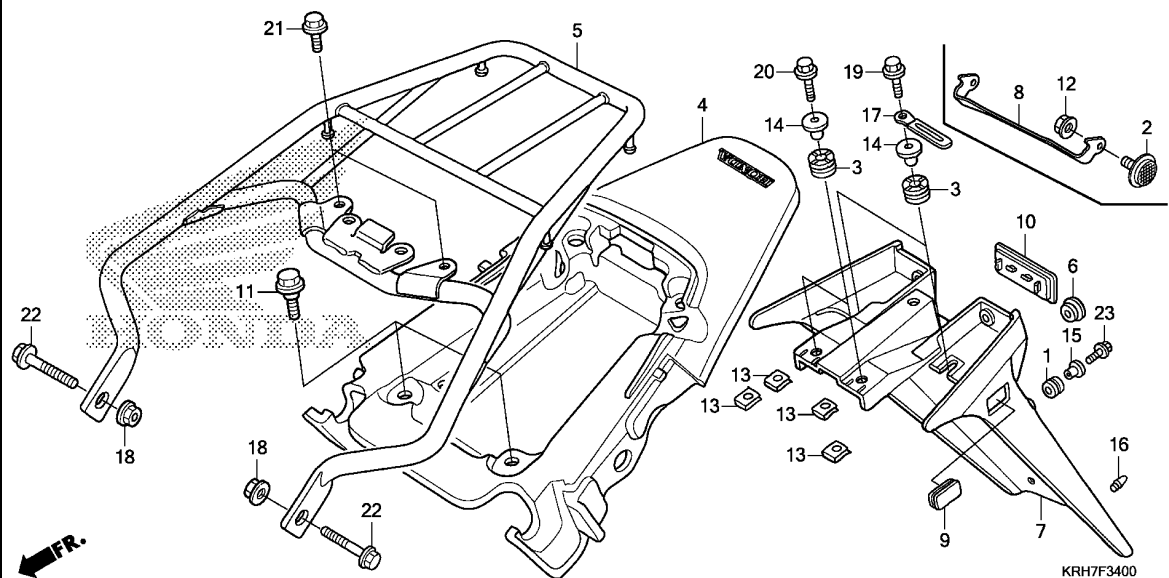
Ref. No.	L.O.N.	(Relative ref. Number) Description	F.R.T.
4	411135	COWL, REAR	0.2
5	410165	CARRIER, LUGGAGE	0.2
7	6161P6	BRACKET, TAILLIGHT	0.5

3

Ref. No.	Part No.	Description	Reqd. QTY						Serial No.	Parts catalogue code
			XR 125 LEK E	XR 125 LEK J	XL 125 LEK E	XR 150 LEK E	XR 150 LEK H	XR 150 LEK J		
1	33712-KT1-670	RUBBER, TAILLIGHT	2	2	2	2	2	2		
2	33741-KYY-901	REFLECTOR, REFLEX (AMBER)	-	-	-	2	2	2	-----	1LA
	33741-KAK-971	REFLECTOR, FR. REFLEX (AMBER)	-	-	-	2	2	2	-----	NZ
	33741-KYY-841	REFLECTOR, SIDE REFLEX (RED)	-	-	-	-	-	2	-----	CL
3	37101-KRH-900	RUBBER, SPEEDOMETER	4	4	4	4	4	4		
4	80100-KRH-900ZB	COWL SET, RR. (WL) *NH196*.....ROSS WHITE	1	1	1	1	-	1		
	80100-KRH-900ZA	*NH1*.....BLACK	-	1	-	-	-	1		
	80100-KRH-H10ZA	*TYPE1*.....	-	-	-	-	1	-		
5	81200-KRH-780ZA	CARRIER COMP., RR. *NH1*.....BLACK	1	1	1	1	1	1		
6	83551-376-000	GROMMET, SIDE COVER	1	1	-	1	1	1		
7	84701-KRH-900	BASE COMP., NUMBER PLATE	1	1	1	1	1	1		
8	84704-KRH-A50	STAY, RR. REFLEX REFLECTOR	-	-	-	1	1	1	-----	1LA,CL,NZ
9	84705-KRH-D00	CAP, NUMBER BRACKET	2	2	2	2	2	2		
10	84711-KRH-900	CAP, NUMBER PLATE BASE COMP.	1	1	1	1	1	1		
11	90111-162-000	BOLT, FLANGE, 6MM	2	2	2	2	2	2		
12	90301-088-660	NUT, SPECIAL, 6MM	-	-	-	2	2	2	-----	1LA,CL,NZ
13	90311-KRH-900	NUT, CLIP, 6MM	4	4	4	4	4	4		
14	90502-KRH-780	COLLAR, RR. FENDER	4	4	4	4	4	4		
15	90508-KRH-900	COLLAR C	2	2	2	2	2	2		
16	90899-KRH-900	PLUG, CONE	2	2	2	2	2	2		
17	91406-166-000	CLIP, WIRE	2	2	2	2	2	2		
18	94050-08000	NUT, FLANGE, 8MM	2	2	2	2	2	2		
19	95701-06022-00	BOLT, FLANGE, 6X22	2	2	2	2	2	2		

F-34

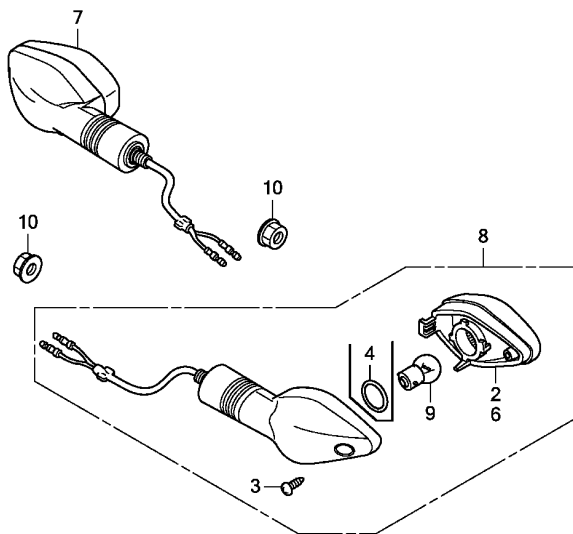
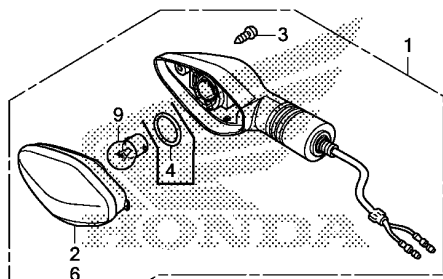
REAR FENDER



Ref. No.	Part No.	Description	Reqd. QTY						Serial No.	Parts catalogue code
			XR 125 LEK E	XR 125 LEK J	XL 125 LEK E	XR 150 LEK E	XR 150 LEK H	XR 150 LEK J		
20	95701-06025-00	BOLT, FLANGE, 6X25	2	2	2	2	2	2		
21	95701-08018-00	BOLT, FLANGE, 8X18	2	2	2	2	2	2		
22	95701-08045-00	BOLT, FLANGE, 8X45	2	2	2	2	2	2		
23	96001-06018-07	BOLT, FLANGE, 6X18	2	2	2	2	2	2		

F-35

WINKER



FR.

KRH7F3500A

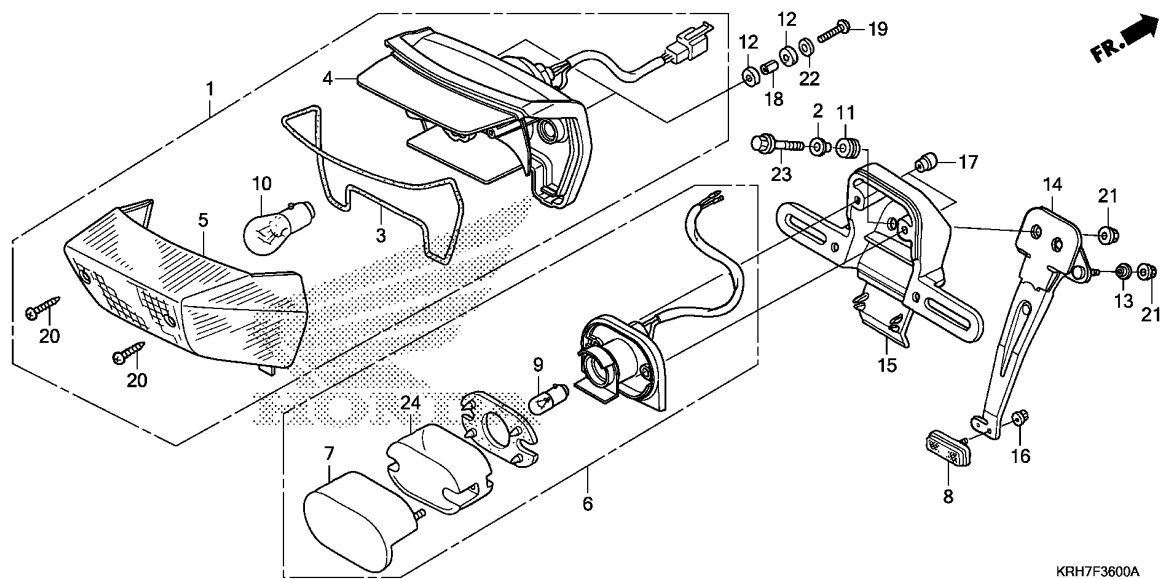
Ref. No.	L.O.N.	(Relative ref. Number) Description	F.R.T.
1	6161C4	WINKER :RIGHT FRONT	0.2
5	6161C3	WINKER :LEFT FRONT	0.2
	6161C5	WINKER :BOTH FRONT	0.2
7	6161C7	WINKER :RIGHT REAR	0.3
8	6161C6	WINKER :LEFT REAR	0.3
	6161C8	WINKER :BOTH REAR	0.4
9		(2,6)	
	616133	BULB, WINKER :FRONT	0.1
		.NOTE: Same time for two units	
	616139	BULB, WINKER :REAR	0.1
		.NOTE: Same time for two units	
	6161G0	BULB, WINKER :FOR 1 VEHICLE ..	0.2

3

Ref. No.	Part No.	Description	Reqd. QTY						Serial No.	Parts catalogue code
			XR 125 LEK E	XR 125 LEK J	XL 125 LEK E	XR 150 LEK E	XR 150 LEK H	XR 150 LEK J		
1	33400-KRH-601	WINKER ASSY., R. FR.(12V 10W)	1	1	1	1	1	1	-----	1LA,2SA,3LA,AG,CL,DK,MX,PE,SA
	33400-KRH-631	-	-	-	1	1	1	-----	NZ
	33400-KRH-671	-	-	-	1	-	-	-----	CO
2	33403-KRH-601	LENS COMP., R. (R. FR./L. RR.)	2	2	2	2	2	2	-----	1LA,2SA,3LA,AG,CL,DK,MX,NZ,PE,SA
	33403-KRH-671	-	-	-	2	-	-	-----	CO
		(R. FR./L. RR.)	-	-	-	2	-	-	-----	CO
3	33405-KRH-600	SCREW, TAPPING, 4X13	4	4	4	4	4	4	-----	1LA,2SA,3LA,AG,CL,DK,MX,NZ,PE,SA
	90102-KRH-671	SCREW, TAPPING, 4X13.5	-	-	-	4	-	-	-----	CO
4	33407-GGL-A01	PACKING	4	4	4	4	4	4	-----	1LA,2SA,3LA,AG,CL,DK,MX,NZ,PE,SA
5	33450-KRH-601	WINKER ASSY., L. FR.(12V 10W)	1	1	1	1	1	1	-----	1LA,2SA,3LA,AG,CL,DK,MX,PE,SA
	33450-KRH-631	-	-	-	1	1	1	-----	NZ
	33450-KRH-671	-	-	-	1	-	-	-----	CO
6	33453-KRH-601	LENS COMP., L. (L. FR./R. RR.)	2	2	2	2	2	2	-----	1LA,2SA,3LA,AG,CL,DK,MX,NZ,PE,SA
	33453-KRH-671	-	-	-	2	-	-	-----	CO
		(L. FR./R. RR.)	-	-	-	2	-	-	-----	CO
7	33600-KRH-601	WINKER ASSY., R. RR.(12V 10W)	1	1	1	1	1	1	-----	1LA,2SA,3LA,AG,CL,DK,MX,PE,SA
	33600-KRH-631	-	-	-	1	1	1	-----	NZ
	33600-KRH-671	-	-	-	1	-	-	-----	CO
8	33650-KRH-601	WINKER ASSY., L. RR.(12V 10W)	1	1	1	1	1	1	-----	1LA,2SA,3LA,AG,CL,DK,MX,PE,SA
	33650-KRH-631	-	-	-	1	1	1	-----	NZ
	33650-KRH-671	-	-	-	1	-	-	-----	CO
9	34907-KYS-941	BULB(12V 10W) (AMBER)	4	4	4	4	4	4	-----	1LA,2SA,3LA,AG,CL,DK,MX,PE,SA
	34903-KRE-E31	BULB, WINKER LIGHT(12V 10W) (LIFE ELEX) (AMBER)	-	-	-	4	4	4	-----	NZ
	34904-KRH-671	BULB, WINKER LIGHT(12V 10W)	-	-	-	4	-	-	-----	CO
10	94050-10000	NUT, FLANGE, 10MM	4	4	4	4	4	4	-----	

F-36

TAILLIGHT(EXCEPT XR150LEK-CO)

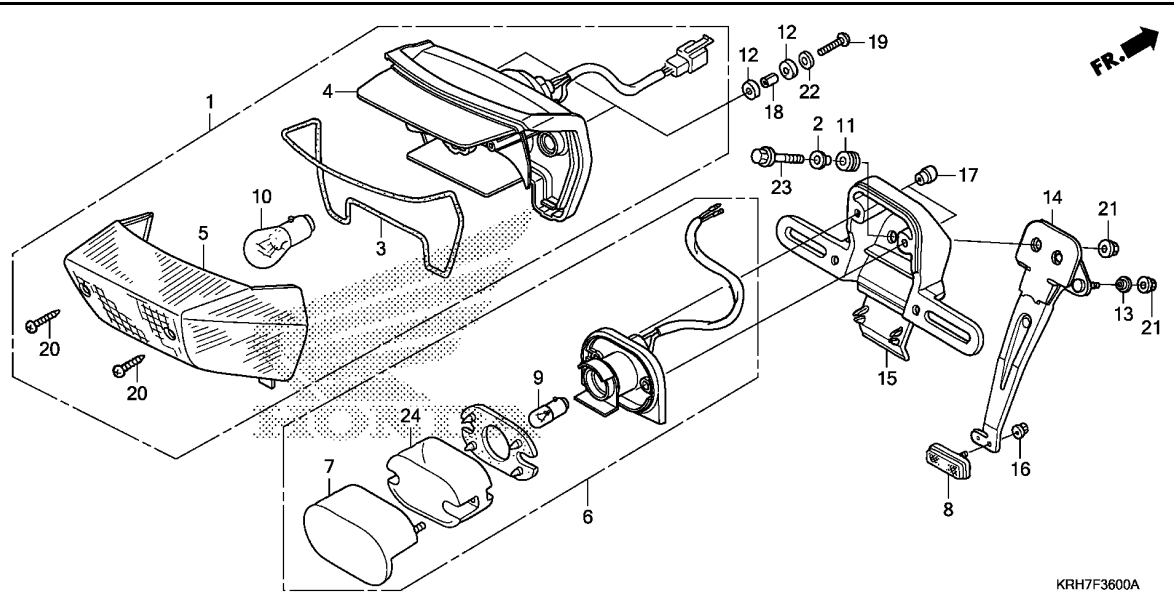


Ref. No.	L.O.N.	(Relative ref. Number) Description	F.R.T.
1	6161D5	TAILLIGHT UNIT	0.3
4	6161E2	BASE, TAILLIGHT	0.3
6	6161D8	LIGHT, LICENSE	0.3
9		(7,24)	
	6161F3	BULB, LICENSE LIGHT	0.1
10		(3,5)	
	6161G1	BULB, TAILLIGHT	0.1
15	4131K7	BRACKET, NUMBER PLATE	0.3

Ref. No.	Part No.	Description	Reqd. QTY						Serial No.	Parts catalogue code
			XR 125 LEK E	XR 125 LEK J	XL 125 LEK E	XR 150 LEK E	XR 150 LEK H	XR 150 LEK J		
1	33700-KRH-901	TAILLIGHT UNIT(12V 21/5W) ...	1	1	1	1	1	1	-----	1LA,2SA,3LA,AG,CL,DK,MX,NZ,PE,SA
2	33706-KRH-900	COLLAR, TAILLIGHT MOUNTING ..	2	2	2	2	2	2	-----	1LA,2SA,3LA,AG,CL,DK,MX,NZ,PE,SA
3	33708-KRH-901	PACKING, TAILLIGHT LENS	1	1	1	1	1	1	-----	1LA,2SA,3LA,AG,CL,DK,MX,NZ,PE,SA
4	33711-KRH-901	BASE COMP., TAILLIGHT	1	1	1	1	1	1	-----	1LA,2SA,3LA,AG,CL,DK,MX,NZ,PE,SA
5	33712-KRH-901	LENS COMP., TAILLIGHT	1	1	1	1	1	1	-----	1LA,2SA,3LA,AG,CL,DK,MX,NZ,PE,SA
6	33720-KRH-901	LIGHT ASSY., LICENSE(12V 5W)	1	1	1	1	1	1	-----	1LA,2SA,3LA,AG,CL,DK,MX,NZ,PE,SA
7	33723-KRH-901	COVER COMP., LICENSE	1	1	1	1	1	1	-----	1LA,2SA,3LA,AG,CL,DK,MX,NZ,PE,SA
8	33741-KRH-901	REFLECTOR, REFLEX	1	1	1	1	1	1	-----	1LA,2SA,3LA,AG,CL,DK,MX,NZ,PE,SA
9	34904-KRH-901	BULB, LICENSE(12V 5W)	1	1	1	1	1	1	-----	1LA,2SA,3LA,AG,CL,DK,MX,NZ,PE,SA
10	34906-447-711	BULB, TAIL & STOP LIGHT (12V 21/5W)(STANLEY)	1	1	1	1	1	1	-----	1LA,2SA,3LA,AG,CL,DK,MX,NZ,PE,SA
11	61103-357-000	RUBBER, FR. FENDER MOUNTING ..	2	2	2	2	2	2	-----	1LA,2SA,3LA,AG,CL,DK,MX,NZ,PE,SA
12	77218-KRH-900	RUBBER, SEAT HINGE	4	4	4	4	4	4	-----	1LA,2SA,3LA,AG,CL,DK,MX,NZ,PE,SA
13	80112-KRH-901	COLLAR, FENDER COVER	3	3	3	3	3	3	-----	1LA,2SA,3LA,AG,CL,DK,MX,NZ,PE,SA
14	84702-KRH-900	STAY, NUMBER BRACKET	1	1	1	1	1	1	-----	1LA,2SA,3LA,AG,CL,DK,MX,NZ,PE,SA
15	84703-KRH-900	BRACKET, NUMBER PLATE	1	1	1	1	1	1	-----	1LA,2SA,3LA,AG,CL,DK,MX,NZ,PE,SA
16	90301-GFM-890	NUT, SPECIAL, 5MM	1	1	1	1	1	1	-----	1LA,2SA,3LA,AG,CL,DK,MX,NZ,PE,SA
	90301-MG8-000	NUT, FLANGE, 5MM(FUSE RASHI)	1	1	1	1	1	1	-----	1LA,2SA,3LA,AG,CL,DK,MX,NZ,PE,SA
17	90302-MB2-000	NUT, SPECIAL, 4MM	2	2	2	2	2	2	-----	1LA,2SA,3LA,AG,CL,DK,MX,NZ,PE,SA
18	90504-KRH-900	COLLAR, TAILLIGHT MOUNTING ..	2	2	2	2	2	2	-----	1LA,2SA,3LA,AG,CL,DK,MX,NZ,PE,SA
19	93500-05020-0A	SCREW, PAN, 5X20	2	2	2	2	2	2	-----	1LA,2SA,3LA,AG,CL,DK,MX,NZ,PE,SA
20	33716-KRH-900	SCREW, TAPPING, 4X35	2	2	2	2	2	2	-----	1LA,2SA,3LA,AG,CL,DK,MX,NZ,PE,SA
21	94050-06000	NUT, FLANGE, 6MM	5	5	5	5	5	5	-----	1LA,2SA,3LA,AG,CL,DK,MX,NZ,PE,SA
22	94103-05000	WASHER, PLAIN, 5MM	2	2	2	2	2	2	-----	1LA,2SA,3LA,AG,CL,DK,MX,NZ,PE,SA

F-36

TAILLIGHT(EXCEPT XR150LEK-CO)

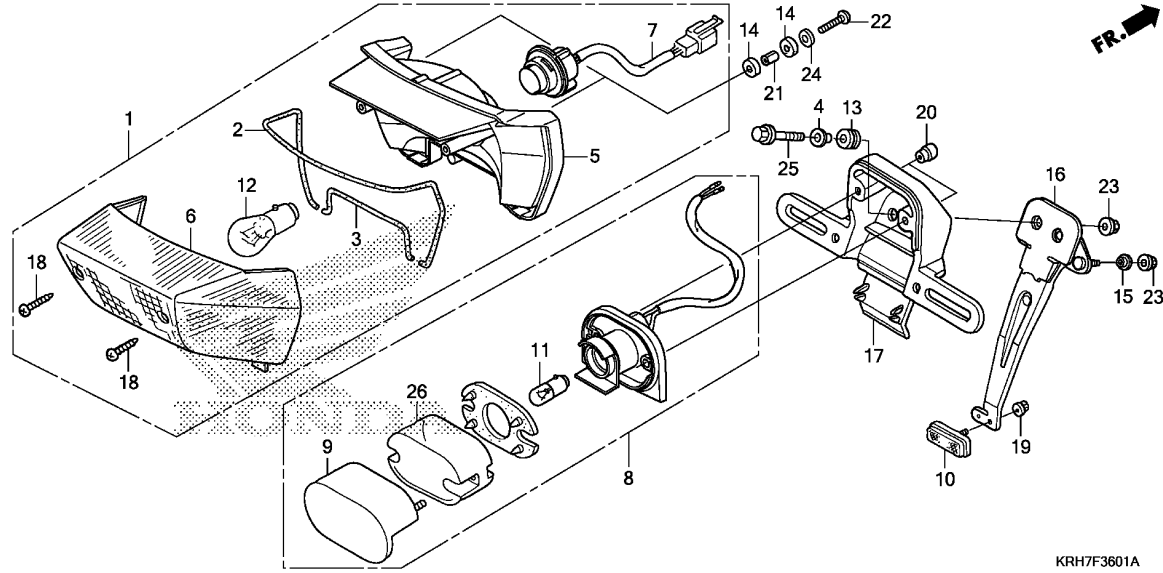


3

Ref. No.	Part No.	Description	Reqd. QTY						Serial No.	Parts catalogue code
			XR 125 LEK E	XR 125 LEK J	XL 125 LEK E	XR 150 LEK E	XR 150 LEK H	XR 150 LEK J		
23	96001-06025-00	BOLT, FLANGE, 6X25	2	2	2	2	2	2	-----	1LA,2SA,3LA,AG,CL,DK,MX,NZ,PE,SA
24	33725-KRH-901	LENS, LICENSE	1	1	1	1	1	1	-----	1LA,2SA,3LA,AG,CL,DK,MX,NZ,PE,SA

F-36-1

TAILLIGHT(XR150LEK-CO)



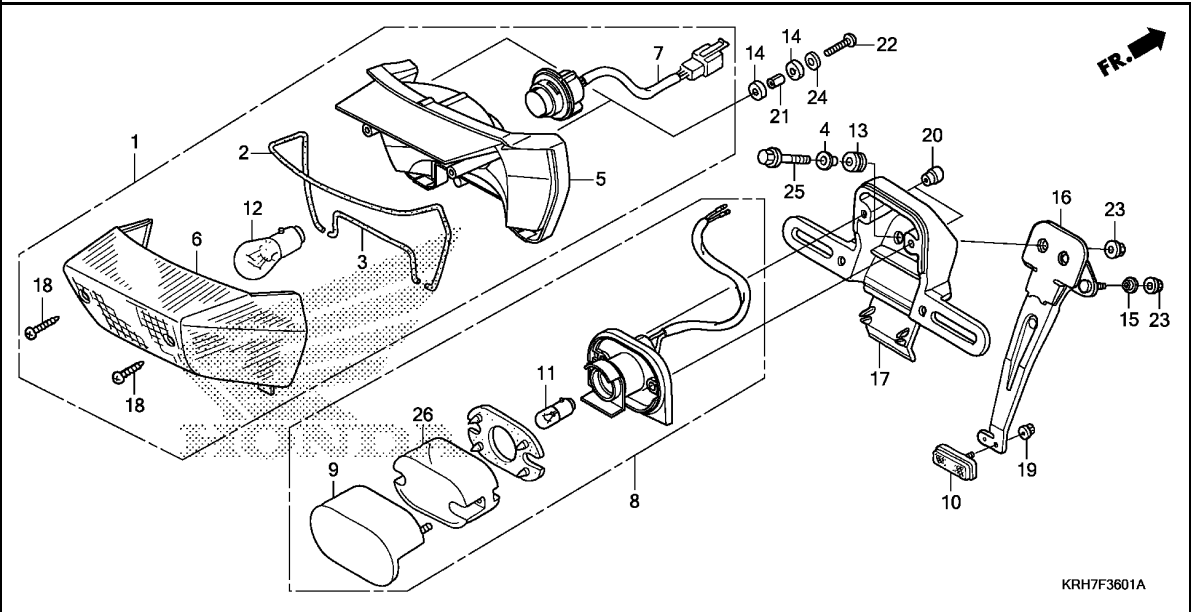
Ref. No.	L.O.N.	(Relative ref. Number) Description	F.R.T.
1	6161D5	TAILLIGHT UNIT	0.3
5	6161E2	BASE, TAILLIGHT	0.3
7	6111B4	CORD, TAILLIGHT	0.3
8	6161D8	LIGHT, LICENSE	0.3
11		(9,26)	
11	6161F3	BULB, LICENSE LIGHT	0.1
12		(2,3,6)	
12	6161G1	BULB, TAILLIGHT	0.1
17	4131K7	BRACKET, NUMBER PLATE	0.3

Ref. No.	Part No.	Description	Reqd. QTY						Serial No.	Parts catalogue code
			XR 125 LEK E	XR 125 LEK J	XL 125 LEK E	XR 150 LEK E	XR 150 LEK H	XR 150 LEK J		
1	33700-KRH-671	TAILLIGHT UNIT(12V 21/5W) ...	-	-	-	1	-	-	-	CO
2	33705-KRH-671	GASKET A	-	-	-	1	-	-	-	CO
3	33706-KRH-671	GASKET B	-	-	-	1	-	-	-	CO
4	33706-KRH-900	COLLAR, TAILLIGHT MOUNTING ..	-	-	-	2	-	-	-	CO
5	33711-KRH-671	BASE COMP., TAILLIGHT	-	-	-	1	-	-	-	CO
6	33714-KRH-671	LENS COMP., TAILLIGHT	-	-	-	1	-	-	-	CO
7	33715-KRH-671	CORD COMP., TAILLIGHT	-	-	-	1	-	-	-	CO
8	33720-KRH-901	LIGHT ASSY., LICENSE(12V 5W)	-	-	-	1	-	-	-	CO
9	33723-KRH-901	COVER COMP., LICENSE	-	-	-	1	-	-	-	CO
10	33741-KRH-901	REFLECTOR, REFLEX	-	-	-	1	-	-	-	CO
11	34904-KRH-901	BULB, LICENSE(12V 5W)	-	-	-	1	-	-	-	CO
12	34906-447-711	BULB, TAIL & STOP LIGHT (12V 21/5W)(STANLEY)	-	-	-	1	-	-	-	CO
13	61103-357-000	RUBBER, FR. FENDER MOUNTING ..	-	-	-	2	-	-	-	CO
14	77218-KRH-900	RUBBER, SEAT HINGE	-	-	-	4	-	-	-	CO
15	80112-KRH-901	COLLAR, FENDER COVER	-	-	-	3	-	-	-	CO
16	84702-KRH-900	STAY, NUMBER BRACKET	-	-	-	1	-	-	-	CO
17	84703-KRH-900	BRACKET, NUMBER PLATE	-	-	-	1	-	-	-	CO
18	90101-KRH-671	SCREW, TAPPING, 3.5X22	-	-	-	2	-	-	-	CO
19	90301-GFM-890	NUT, SPECIAL, 5MM	-	-	-	1	-	-	-	CO
	90301-MG8-000	NUT, FLANGE, 5MM(FUSE RASHI)	-	-	-	1	-	-	-	CO
20	90302-MB2-000	NUT, SPECIAL, 4MM	-	-	-	2	-	-	-	CO
21	90504-KRH-900	COLLAR, TAILLIGHT MOUNTING ..	-	-	-	2	-	-	-	CO
22	93500-05020-0A	SCREW, PAN, 5X20	-	-	-	2	-	-	-	CO



F-36-1

TAILLIGHT(XR150LEK-CO)

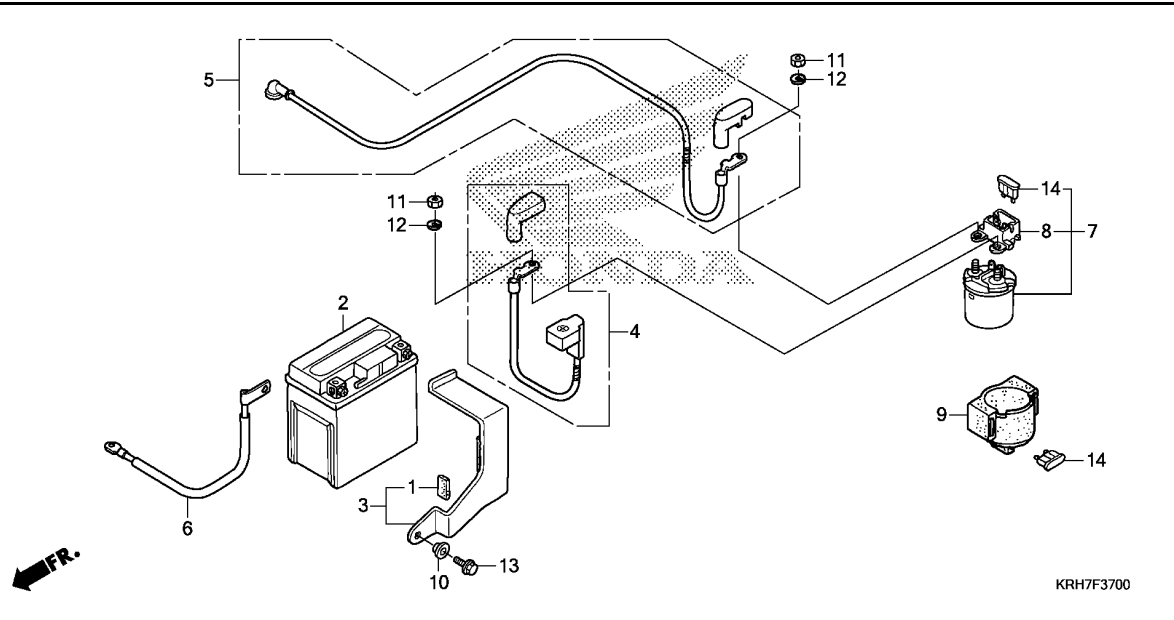


3

Ref. No.	Part No.	Description	Reqd. QTY						Serial No.	Parts catalogue code
			XR 125 LEK E	XR 125 LEK J	XL 125 LEK E	XR 150 LEK E	XR 150 LEK H	XR 150 LEK J		
23	94050-06000	NUT, FLANGE, 6MM	-	-	-	5	-	-	-----	C0
24	94103-05000	WASHER, PLAIN, 5MM	-	-	-	2	-	-	-----	C0
25	96001-06025-00	BOLT, FLANGE, 6X25	-	-	-	2	-	-	-----	C0
26	33725-KRH-901	LENS, LICENSE	-	-	-	1	-	-	-----	C0

F-37

BATTERY

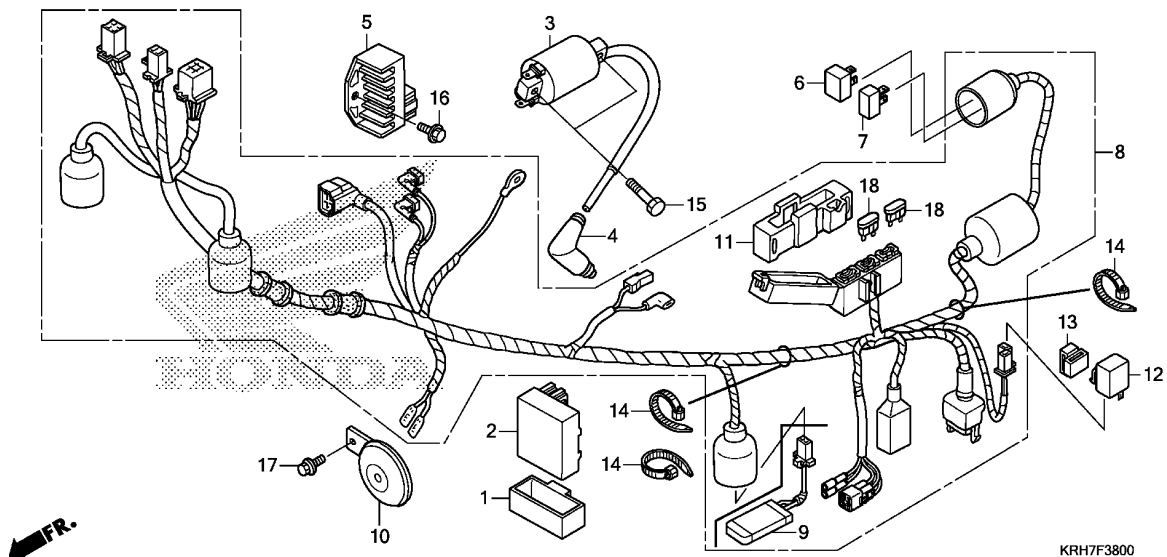


Ref. No.	L.O.N.	(Relative ref. Number) Description	F.R.T.
2	610100	BATTERY	0.2
4	610105	CABLE, POSITIVE BATTERY	0.2
5	612115	CABLE, STARTER MOTOR	0.3
6	610110	CABLE, NEGATIVE BATTERY	0.2
7	615113	SWITCH, STARTER MAGNETIC	0.3

Ref. No.	Part No.	Description	Reqd. QTY						Serial No.	Parts catalogue code
			XR 125 LEK E	XR 125 LEK J	XL 125 LEK E	XR 150 LEK E	XR 150 LEK H	XR 150 LEK J		
1	17518-KRE-900	RUBBER	1	1	1	1	1	1		
2	31500-KRH-661	BATTERY (YTX5L-BS) (TIANJIN YUASA)	1	1	1	1	1	1	----- 2SA,DK,NZ,SA	
	31500-KRH-931	1	1	-	1	1	1	----- 1LA,3LA,AG,CL,CO,MX,PE	
3	31510-KRH-900	BAND, BATTERY	1	1	1	1	1	1		
4	32401-KRH-900	CABLE, STARTER MAGNETIC								
5	32410-KRH-600	CABLE, STARTER MOTOR	1	1	1	1	1	1		
6	32601-KRH-600	CABLE, BATTERY EARTH	1	1	1	1	1	1		
7	35850-KRH-A01	SWITCH ASSY., STARTER MAGNETIC	1	1	1	1	1	1		
8	35852-KRH-901	HOLDER COMP., FUSE	1	1	1	1	1	1		
9	35856-KRH-901	RUBBER, SHOCK	1	1	1	1	1	1		
10	61101-KRH-900	COLLAR, FR. FENDER SETTING(A)	1	1	1	1	1	1		
11	94002-06000-0S	NUT, HEX., 6MM	2	2	2	2	2	2		
12	94111-06000	WASHER, SPRING, 6MM	2	2	2	2	2	2		
13	95701-06016-00	BOLT, FLANGE, 6X16	1	1	1	1	1	1		
14	98200-31500	FUSE, BLADE(15A)	2	2	2	2	2	2		

F-38

WIRE HARNESS



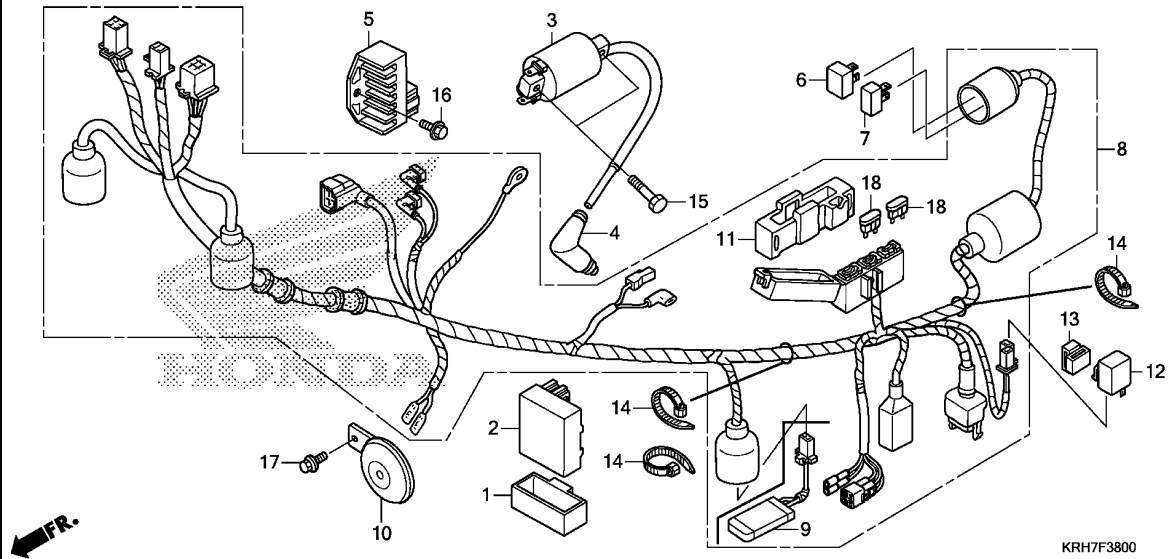
Ref. No.	L.O.N.	(Relative ref. Number) Description	F.R.T.
2	6141A1	IGNITION CONTROL MODULE	0.3
3	614105	COIL, IGNITION	0.4
5	6131B2	RECTIFIER, REGULATE	0.4
8	611100	HARNESS, WIRE	1.2
9	615185	SWITCH, THERMOSTAT	0.2
10	616169	HORN	0.1
12	6111C3	RELAY, WINKER	0.2

3

Ref. No.	Part No.	Description	Reqd. QTY						Serial No.	Parts catalogue code
			XR 125 LEK E	XR 125 LEK J	XL 125 LEK E	XR 150 LEK E	XR 150 LEK H	XR 150 LEK J		
1	30401-KRH-781	CUSHION, C.D.I. UNIT	1	1	1	1	1	1		
2	30410-KRH-A01	C.D.I. UNIT COMP., DIGITAL(DC)	1	-	1	-	-	-		
	30410-KRH-651	-	1	-	-	-	-	-----	3LA,DK
	30410-KRH-631	-	-	-	-	-	-	-----	SA
	30410-KRH-651	-	-	-	1	1	1	-----	NZ
	30410-KRH-601	-	-	-	-	-	1	-----	1LA,3LA,AG,CO,DK,MX,PE,SA
	30410-KRH-601	-	-	-	-	-	1	-----	1LA,3LA,DK,SA
	30410-KRH-601	-	-	-	-	-	1	-----	CL,PE
3	30500-KRH-781	COIL COMP., IGNITION	1	1	1	1	1	1		
4	30700-KRH-901	CAP ASSY., NOISE SUPPRESSOR	1	1	1	1	1	1		
5	31600-KRH-781	RECTIFIER COMP., REGULATE ...	1	1	1	1	1	1		
6	31700-KRH-901	RECTIFIER COMP., SILICON	-	-	-	1	1	1	-----	NZ
7	31700-KVX-701	RECTIFIER ASSY., SILICON	1	1	1	1	1	1		
8	32100-KRH-620	HARNESS, WIRE	1	1	-	1	1	1	-----	1LA,AG,CL,SA
	32100-KRH-600	1	1	-	1	1	1	-----	3LA,CO,DK,MX,PE
	32100-KRH-640	-	-	1	-	-	-		
	32100-KRH-630	-	-	-	1	1	1	-----	NZ
9	35250-KRH-901	SWITCH ASSY., THERMOSTAT	1	1	1	1	1	1	-----	1LA,2SA,AG,CL,NZ,SA
10	38110-KRH-901	HORN COMP.(HIGH)	1	1	1	1	1	1		
11	38201-KRH-901	SUSPENSION, FUSE CASE(MINI 2P)	1	1	1	1	1	1		
12	38301-KVX-601	RELAY COMP., WINKER	1	1	1	1	1	1		
13	38306-KYY-970	SUSPENSION, WINKER RELAY	1	1	1	1	1	1		
14	90650-KW3-000	BAND, WIRE	3	3	3	3	3	3		
15	92101-06020-0A	BOLT, HEX., 6X20	2	2	2	2	2	2		
16	95701-06014-00	BOLT, FLANGE, 6X14	1	1	1	1	1	1		

F-38

WIRE HARNESS

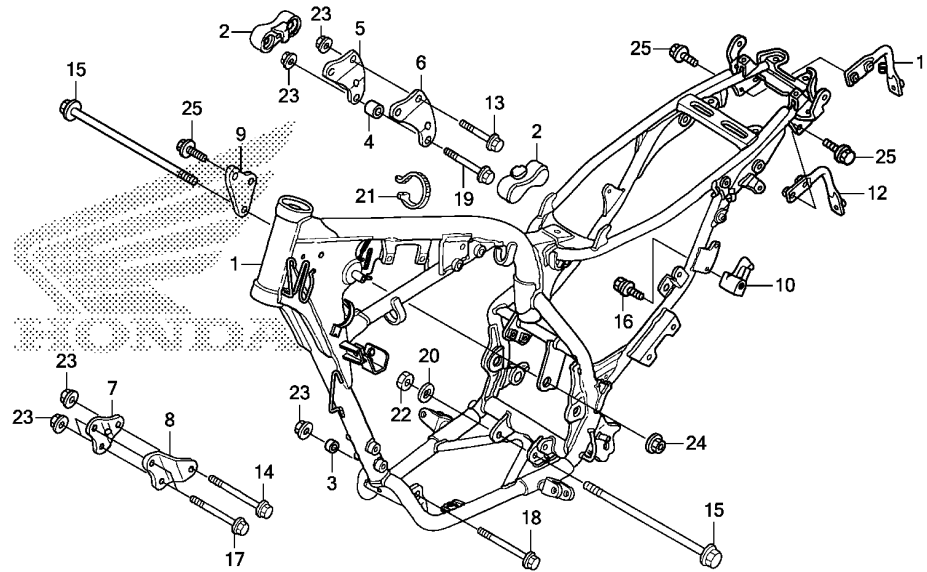


Ref. No.	Part No.	Description	Reqd. QTY						Serial No.	Parts catalogue code
			XR 125	XR 125	XL 125	XR 150	XR 150	XR 150		
17	95701-08012-07	BOLT, FLANGE, 8X12	1	1	1	1	1	1		
18	98200-41000	FUSE, MINI(10A)	2	2	2	2	2	2		

3

F-39

FRAME BODY



KRH7F3900

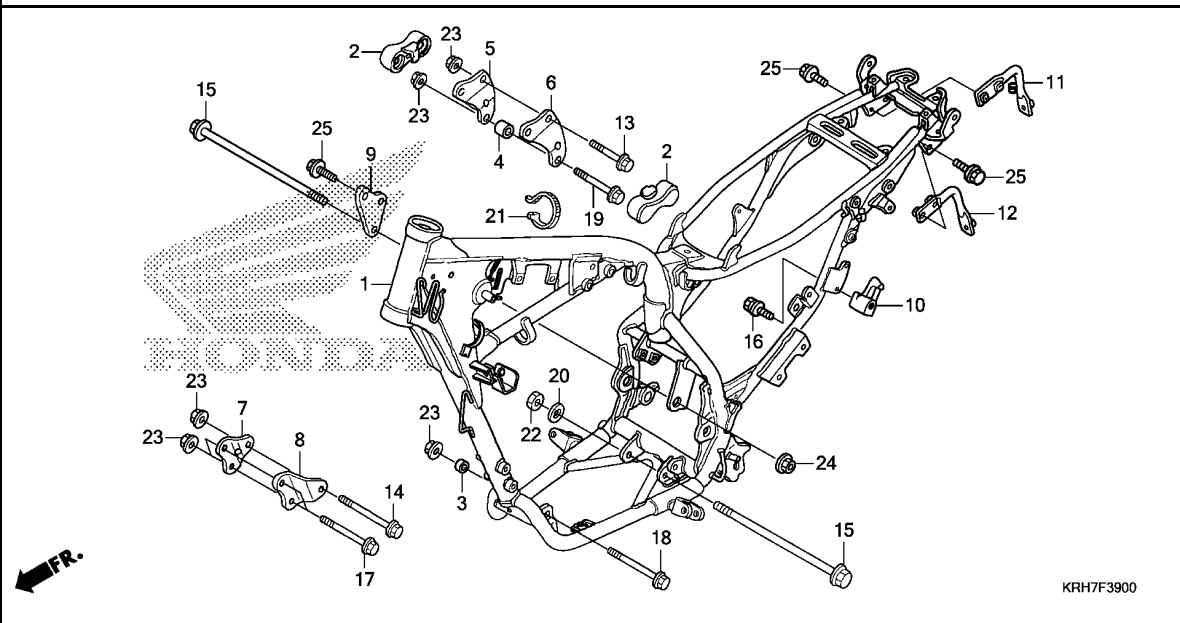
Ref. No.	L.O.N.	(Relative ref. Number) Description	F.R.T.
1	410100	BODY, FRAMEINCLUDES: Engine removal and installation	5.1
10	410197	LOCK, HELMET	0.2

3

Ref. No.	Part No.	Description	Reqd. QTY						Serial No.	Parts catalogue code
			XR 125 LEK E	XR 125 LEK J	XL 125 LEK E	XR 150 LEK E	XR 150 LEK H	XR 150 LEK J		
1	50100-KRH-A00ZB	BODY COMP., FRAME								
		NH1.....BLACK	1	1	-	1	1	1	-----	1LA,3LA,AG,CL,CO,DK,MX,PE,SA
	50100-KRH-640ZA	*NH1*.....BLACK	-	-	1	-	-	-		
	50100-KRH-A40ZB	*NH1*.....BLACK	-	-	-	1	1	1	-----	NZ
2	50212-KRH-900	RUBBER, TANK GUARD	2	2	2	2	2	2		
3	50318-KRH-780	COLLAR, ENGINE MOUNT	1	1	1	1	1	1		
4	50320-KRH-780	COLLAR, UPPER ENGINE HANGER MOUNT	1	1	1	1	1	1		
5	50522-KRH-780	PLATE, R. ENGINE HANGER UPPER	1	1	1	1	1	1		
6	50532-KRH-780	PLATE, L. ENGINE HANGER UPPER	1	1	1	1	1	1		
7	50533-KRH-900	PLATE, R. FR. ENGINE HANGER	1	1	-	1	1	1		
	50533-KRH-780	-	-	1	-	-	-		
8	50534-KRH-900	PLATE, L. FR. ENGINE HANGER	1	1	-	1	1	1		
	50534-KRH-780	-	-	1	-	-	-		
9	50537-KRH-780	PLATE, L. RR. ENGINE HANGER (R. SIDE)	1	1	1	1	1	1		
10	50710-KRH-901	HOLDER ASSY., HELMET	1	1	1	1	1	1		
11	84706-KRH-900	PIPE, R. SUPPORT	1	1	1	1	1	1		
12	84707-KRH-900	PIPE, L. SUPPORT	1	1	1	1	1	1		
13	90102-KRH-900	BOLT, FLANGE, 8X56	2	2	2	2	2	2		
14	90103-KRH-900	BOLT, FLANGE, 8X88	1	1	1	1	1	1		
15	90105-KRH-900	BOLT, FLANGE, 10X110	2	2	2	2	2	2		
16	90114-KRH-900	BOLT, BREAK OFF	1	1	1	1	1	1		
17	90154-KB7-700	BOLT, FLANGE, 8X73	2	2	2	2	2	2		
18	90156-KK6-000	BOLT, FLANGE, 8X96	1	1	1	1	1	1		

F-39

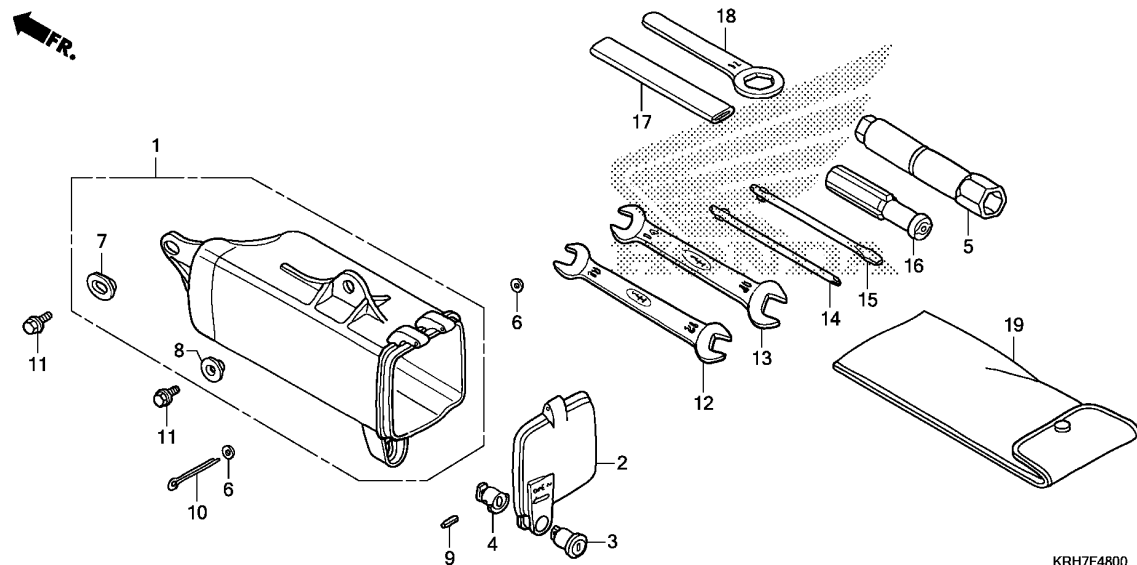
FRAME BODY



Ref. No.	Part No.	Description	Reqd. QTY						Serial No.	Parts catalogue code
			XR 125 LEK E	XR 125 LEK J	XL 125 LEK E	XR 150 LEK E	XR 150 LEK H	XR 150 LEK J		
19	90156-KRH-780	BOLT, FLANGE, 8X72	1	1	1	1	1	1		
20	90510-KRH-900	WASHER, 10MM	1	1	1	1	1	1		
21	90651-KRH-900	BAND, WIRE	1	1	1	1	1	1		
22	94030-10200	NUT, HEX., 10MM	1	1	1	1	1	1		
23	94050-08000	NUT, FLANGE, 8MM	7	7	7	7	7	7		
24	94050-10000	NUT, FLANGE, 10MM	1	1	1	1	1	1		
25	95701-08016-00	BOLT, FLANGE, 8X16	6	6	6	6	6	6		

F-48

TOOLS



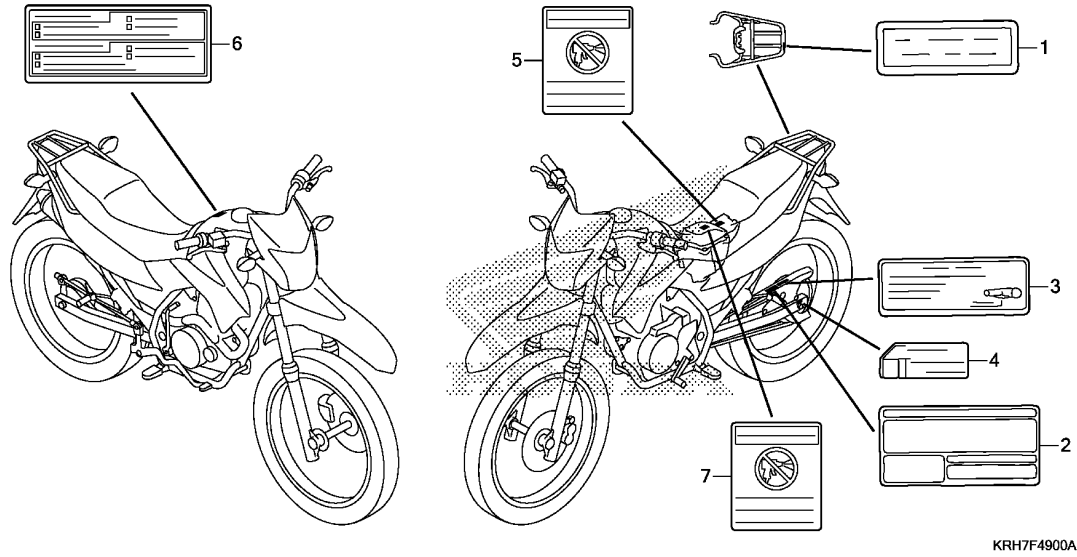
Ref. No.	L.O.N.	(Relative ref. Number) Description	F.R.T.
1	410190	BOX OR BAG, TOOL	0.2
2	4101B1	COVER, TOOL BOX	0.2

3

Ref. No.	Part No.	Description	Reqd. QTY						Serial No.	Parts catalogue code
			XR 125 LEK E	XR 125 LEK J	XL 125 LEK E	XR 150 LEK E	XR 150 LEK H	XR 150 LEK J		
1	83502-KRH-900	BOX, TOOL	1	1	1	1	1	1		
2	83504-KRH-900	CAP, TOOL BOX	1	1	1	1	1	1		
3	83507-422-000	BODY, KEY	1	1	1	1	1	1		
4	83508-MR4-900	STOPPER, KEY BODY	1	1	1	1	1	1		
5	89216-KRH-660	WRENCH, SPARK PLUG	1	1	1	1	1	1		
6	90231-GHR-600	WASHER, PLAIN, 3MM	2	-	2	2	-	-		
	94101-03000	-	2	-	-	2	2		
7	90505-KRH-900	WASHER, 6X9	1	1	1	1	1	1		
8	90512-KRH-900	WASHER, 6.5X20	1	1	1	1	1	1		
9	91501-MR4-900	PIN, SPRING, 2X14	1	1	1	1	1	1		
10	94201-30450	PIN, SPLIT, 3.0X45	1	1	1	1	1	1		
11	95701-06012-00	BOLT, FLANGE, 6X12	2	2	2	2	2	2		
12	99001-10120	SPANNER, 10X12	1	1	1	1	1	1		
13	99001-14170	SPANNER, 14X17	1	1	1	1	1	1		
14	99003-10000	DRIVER 1, PLUS SCREW(NO.2) ..	1	1	1	1	1	1		
15	99003-30000	DRIVER 3, MINUS SCREW(NO.2) ..	1	1	1	1	1	1		
16	99003-50000	GRIP, SCREW DRIVER	1	1	1	1	1	1		
17	99006-12000	HANDLE, EYE WRENCH, 12MM	1	1	1	1	1	1		
18	99006-24000	WRENCH, EYE, 24MM	1	1	1	1	1	1		
19	99008-01600	BAG, TOOL, 160MM	1	1	1	1	1	1		

F-49

CAUTION LABEL(XR125LEK/XR150LEK)



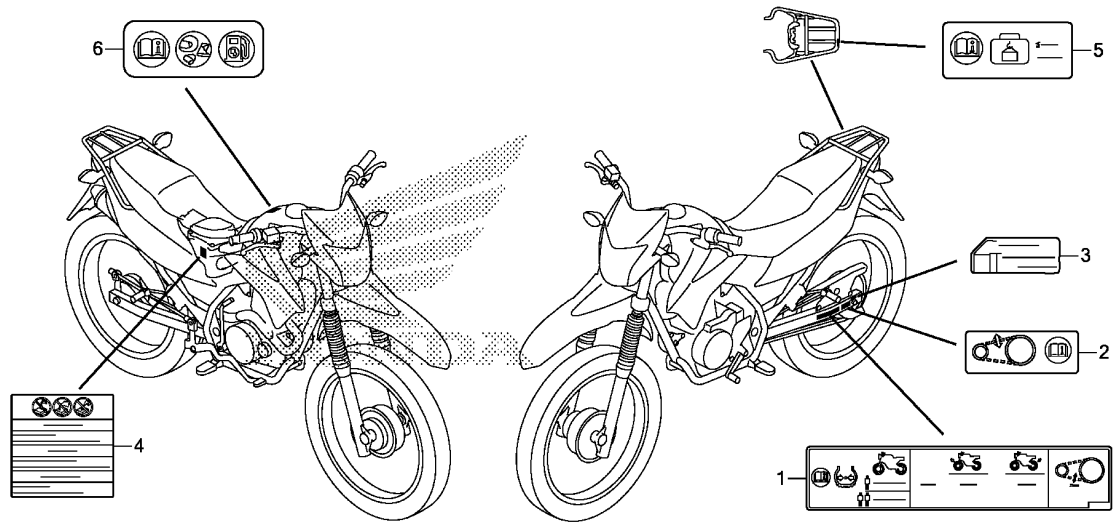
Ref. L.O.N. (Relative ref. Number) F.R.T.
No. Description

NO INFORMATION

Ref. No.	Part No.	Description	Reqd. QTY						Serial No.	Parts catalogue code
			XR 125 LEK E	XR 125 LEK J	XL 125 LEK E	XR 150 LEK E	XR 150 LEK H	XR 150 LEK J		
1	81220-KRH-910	LABEL, RR. CARRIER (SPANISH) -	1	1	-	1	1	1	-----	1LA,3LA,AG,CL,CO,MX,PE
	81220-KV8-860ZA	LABEL, RR. CARRIER							-----	DK,NZ,SA
		TYPE2.....	1	1	-	1	1	1	-----	1LA,3LA,AG,CL,CO,MX,PE
2	87505-KRH-910	LABEL, TIRE (SPANISH)	1	1	-	1	1	1	-----	DK,NZ,SA
	87505-KRH-900	LABEL, TIRE	1	1	-	1	1	1	-----	1LA,3LA,AG,CL,CO,MX,PE
3	87507-KRH-910	LABEL, DRIVE CHAIN (SPANISH) -	1	1	-	1	1	1	-----	DK,NZ,SA
	87507-MZ8-W00	LABEL, DRIVE CHAIN	1	1	-	1	1	1	-----	1LA,3LA,AG,CL,CO,MX,PE
4	87508-KRH-910	LABEL, CHAIN ADJUSTER (SPANISH)	1	1	-	1	1	1	-----	DK,NZ,SA
	87508-MN8-670	LABEL, CHAIN ADJUSTER	1	1	-	1	1	1	-----	1LA,3LA,AG,CL,CO,MX,PE
5	87509-KVR-G00	LABEL, AIR CLEANER ELEMENT								
		NOTICE (SPANISH)	1	1	-	1	1	1	-----	1LA,3LA,AG,CL,PE
	87509-KWP-900	LABEL, AIR CLEANER ELEMENT								
		NOTICE	1	1	-	1	1	1	-----	DK,NZ,SA
6	87560-KYY-600ZB	LABEL, DRIVE CAUTION								
		(SPANISH/ENGLISH)								
		TYPE1.....	1	1	-	1	1	1		
7	87509-KVR-G00	LABEL, AIR CLEANER ELEMENT								
		NOTICE (SPANISH)	-	-	-	1	1	-	-----	CO,MX

F-49-1

CAUTION LABEL(XL125LEK)



KRH7F4901

Ref. No.	L.O.N.	(Relative ref. Number)	Description	F.R.T.
----------	--------	------------------------	-------------	--------

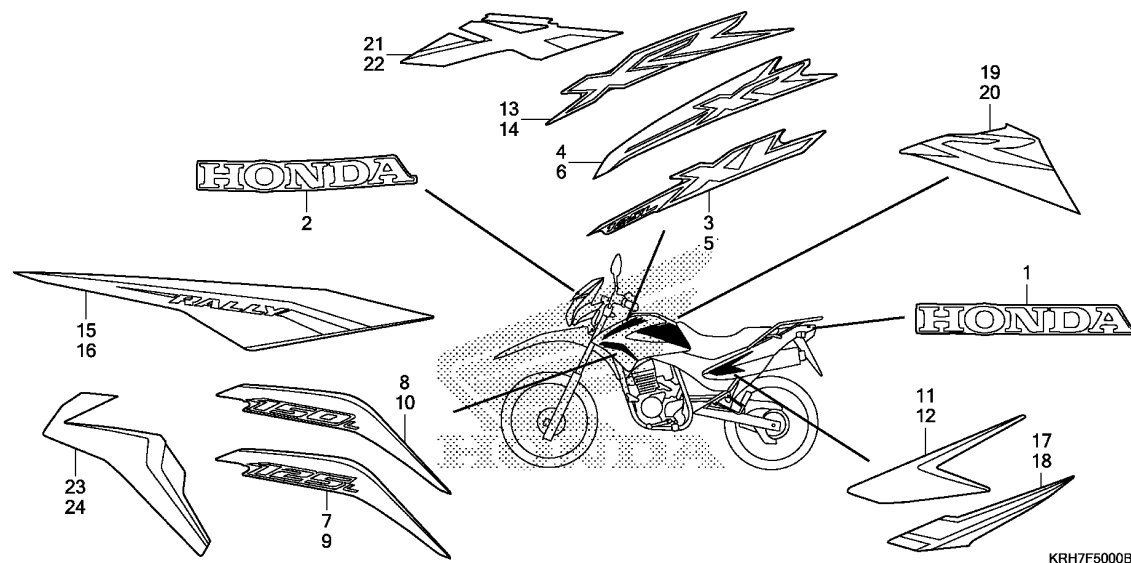
NO INFORMATION

3

Ref. No.	Part No.	Description	Reqd. QTY						Serial No.	Parts catalogue code
			XR 125 LEK E	XR 125 LEK J	XL 125 LEK E	XR 150 LEK E	XR 150 LEK H	XR 150 LEK J		
1	87505-KRH-780	LABEL, TIRE	-	-	1	-	-	-		
2	87507-KYJ-960	LABEL, DRIVE CHAIN(PICTOGRAPH)	-	-	1	-	-	-		
3	87508-MN8-670	LABEL, CHAIN ADJUSTER	-	-	1	-	-	-		
	87508-MN8-730	LABEL, CHAIN ADJUSTER(FRENCH)	-	-	1	-	-	-		
	87508-MY5-B60	LABEL, CHAIN ADJUSTER (PORTUGUESE)	-	-	1	-	-	-		
4	87509-KRH-780	LABEL, AIR CLEANER ELEMENT NOTICE	-	-	1	-	-	-		
5	87520-MEW-D40	LABEL, CARGO LIMIT(5.0) (PICTOGRAPH)	-	-	1	-	-	-		
6	87586-MGN-D00	LABEL, FUEL & DRIVE (PICTOGRAPH)	-	-	1	-	-	-		

F-50

MARK/STRIPE



Ref. L.O.N. (Relative ref. Number) F.R.T.
No. Description

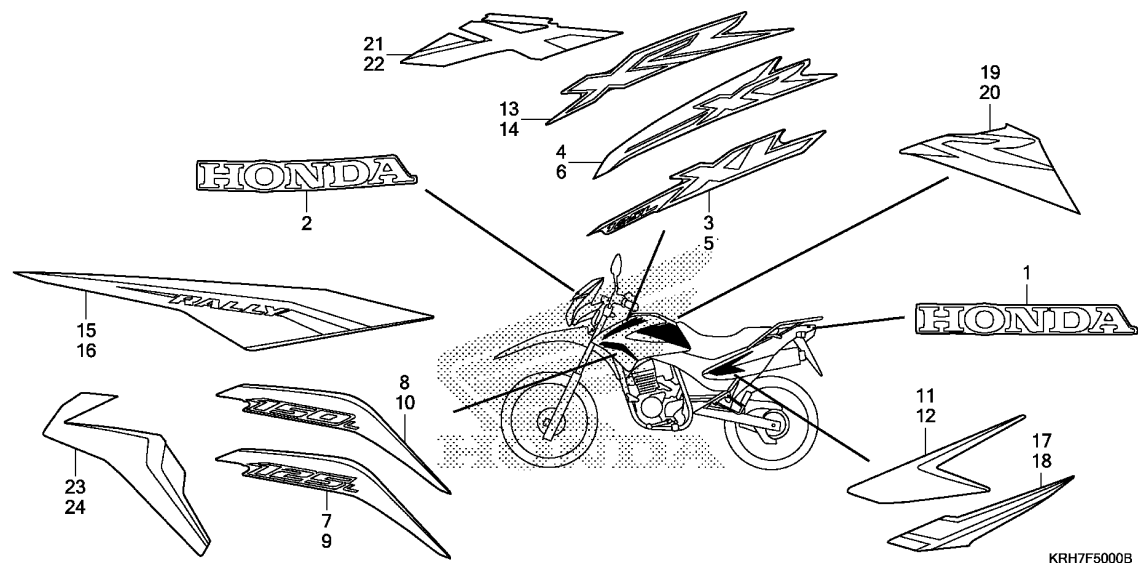
NO INFORMATION

Ref. No.	Part No.	Description	Reqd. QTY						Serial No.	Parts catalogue code
			XR 125 LEK E	XR 125 LEK J	XL 125 LEK E	XR 150 LEK E	XR 150 LEK H	XR 150 LEK J		
1	61310-KRH-900ZC	MARK, RR. (HONDA)								
		TYPE3	1	1	1	1	-	1		
	61310-KRH-900ZB	*TYPE2*	-	1	-	-	-	1		
	86102-KRH-H10ZA	MARK, HONDA(75MM)								
		TYPE1	-	-	-	-	1	-		
2	61315-KRH-900ZC	MARK, FR. (HONDA)								
		TYPE3	1	1	1	1	-	1		
	61315-KRH-900ZB	*TYPE2*	-	1	-	-	-	1		
	86101-KRH-H10ZA	MARK, HONDA(75MM)								
		TYPE1	-	-	-	-	1	-		
3	86191-KRH-640ZA	STRIPE, R. TANK SHROUD								
		TYPE2	-	-	1	-	-	-		
	86191-KRH-640ZB	*TYPE1*	-	-	1	-	-	-		
4	86191-KRH-660ZB	STRIPE A, R. TANK SHROUD								
		TYPE2	1	-	-	1	-	-	1LA,3LA,AG,CO,DK,MX,NZ,PE	
	86191-KRH-660ZA	*TYPE3*	1	-	-	1	-	-		
	86191-KRH-660ZC	*TYPE1*	1	-	-	1	-	-		
5	86192-KRH-640ZA	STRIPE, L. TANK SHROUD								
		TYPE2	-	-	1	-	-	-		
	86192-KRH-640ZB	*TYPE1*	-	-	1	-	-	-		
6	86192-KRH-660ZB	STRIPE A, L. TANK SHROUD								
		TYPE2	1	-	-	1	-	-	1LA,3LA,AG,CO,DK,MX,NZ,PE	
	86192-KRH-660ZA	*TYPE3*	1	-	-	1	-	-		
	86192-KRH-660ZC	*TYPE1*	1	-	-	1	-	-		
7	86193-KRH-620ZB	STRIPE B, R. TANK SHROUD								
		TYPE2	1	-	-	-	-	-	3LA,DK	
	86193-KRH-620ZA	*TYPE3*	1	-	-	-	-	-		



F-50

MARK/STRIPE



KRH7F5000B

Ref. No.	Part No.	Description	Reqd. QTY						Serial No.	Parts catalogue code
			XR 125 LEK E	XR 125 LEK J	XL 125 LEK E	XR 150 LEK E	XR 150 LEK H	XR 150 LEK J		
(7)	86193-KRH-620ZC	STRIPE B, R. TANK SHROUD *TYPE1*	1	-	-	-	-	-		
8	86193-KRH-660ZB	STRIPE B, R. TANK SHROUD *TYPE2*	-	-	-	1	-	-	----- 1LA,3LA,AG,CO,DK,MX,NZ,PE	
	86193-KRH-660ZA	*TYPE3*	-	-	-	1	-	-		
	86193-KRH-660ZC	*TYPE1*	-	-	-	1	-	-		
9	86194-KRH-620ZB	STRIPE B, L. TANK SHROUD *TYPE2*	1	-	-	-	-	-	----- 3LA,DK	
	86194-KRH-620ZA	*TYPE3*	1	-	-	-	-	-		
	86194-KRH-620ZC	*TYPE1*	1	-	-	-	-	-		
10	86194-KRH-660ZB	STRIPE B, L. TANK SHROUD *TYPE2*	-	-	-	1	-	-	----- 1LA,3LA,AG,CO,DK,MX,NZ,PE	
	86194-KRH-660ZA	*TYPE3*	-	-	-	1	-	-		
	86194-KRH-660ZC	*TYPE1*	-	-	-	1	-	-		
11	86831-KRH-660ZA	STRIPE, R. SIDE COVER *TYPE1*	-	-	-	1	-	-		
12	86832-KRH-660ZA	STRIPE, L. SIDE COVER *TYPE1*	-	-	-	1	-	-		
13	86191-KRH-H10ZA	STRIPE A, R. TANK SHROUD *TYPE1*	-	-	-	-	1	-		
14	86192-KRH-H10ZA	STRIPE A, L. TANK SHROUD *TYPE1*	-	-	-	-	1	-		
15	86193-KRH-H10ZA	STRIPE B, R. TANK SHROUD *TYPE1*	-	-	-	-	1	-		
16	86194-KRH-H10ZA	STRIPE B, L. TANK SHROUD *TYPE1*	-	-	-	-	1	-		

F-50

MARK/STRIPE

Ref. No.	Part No.	Description	Reqd. QTY						Serial No.	Parts catalogue code
			XR	XR	XL	XR	XR	XR		
			125 LEK E	125 LEK J	125 LEK E	150 LEK E	150 LEK H	150 LEK J		
17	86831-KRH-H10ZA	STRIPE, R. SIDE COVER						1	-	
		TYPE1	-	-	-	-	-	-	-	
18	86832-KRH-H10ZA	STRIPE, L. SIDE COVER						1	-	
		TYPE1	-	-	-	-	-	-	-	
19	86171-KRH-G00ZA	STRIPE, R. FUEL TANK							1	
		TYPE3	-	1	-	-	-	-	1	
	86171-KRH-G00ZB	*TYPE2*	-	1	-	-	-	-	1	
	86171-KRH-G00ZC	*TYPE1*	-	1	-	-	-	-	1	
20	86172-KRH-G00ZA	STRIPE, L. FUEL TANK							1	
		TYPE3	-	1	-	-	-	-	1	
	86172-KRH-G00ZB	*TYPE2*	-	1	-	-	-	-	1	
	86172-KRH-G00ZC	*TYPE1*	-	1	-	-	-	-	1	
21	86191-KRH-G30ZA	STRIPE A, R. TANK SHROUD								
		TYPE3	-	1	-	-	-	-	-	
	86191-KRH-G30ZB	*TYPE2*	-	1	-	-	-	-	-	
	86191-KRH-G30ZC	*TYPE1*	-	1	-	-	-	-	-	
	86191-KRH-G00ZA	*TYPE3*	-	-	-	-	-	-	1	
	86191-KRH-G00ZB	*TYPE2*	-	-	-	-	-	-	1	
	86191-KRH-G00ZC	*TYPE1*	-	-	-	-	-	-	1	
22	86192-KRH-G30ZA	STRIPE A, L. TANK SHROUD								
		TYPE3	-	1	-	-	-	-	-	
	86192-KRH-G30ZB	*TYPE2*	-	1	-	-	-	-	-	
	86192-KRH-G30ZC	*TYPE1*	-	1	-	-	-	-	-	
	86192-KRH-G00ZA	*TYPE3*	-	-	-	-	-	-	1	
	86192-KRH-G00ZB	*TYPE2*	-	-	-	-	-	-	1	
	86192-KRH-G00ZC	*TYPE1*	-	-	-	-	-	-	1	
23	86193-KRH-G00ZA	STRIPE B, R. TANK SHROUD								
		TYPE2	-	1	-	-	-	-	1	
	86193-KRH-G00ZB	*TYPE1*	-	1	-	-	-	-	1	
	86193-KRH-G00ZC	*TYPE3*	-	1	-	-	-	-	1	
24	86194-KRH-G00ZA	STRIPE B, L. TANK SHROUD								
		TYPE2	-	1	-	-	-	-	1	
	86194-KRH-G00ZB	*TYPE1*	-	1	-	-	-	-	1	
	86194-KRH-G00ZC	*TYPE3*	-	1	-	-	-	-	1	



PART NO. INDEX

Part Number	Page	Ref.	Part Number	Page	Ref.	Part Number	Page	Ref.	Part Number	Page	Ref.	Part Number	Page	Ref.
06000			12397-KYE-901	53	4	14721-KWF-900	56	6	16163-KCS-920	76	20	19200-KRH-660ZC	105	13
06420-KRH-780	102	1	12398-KWK-900	53	5	14751-KRM-871	56	7	16165-KRH-651	76	21	18292-KPE-900	112	3
06420-KRH-900	102	1	13000			14751-KSP-910	56	7	16165-KRH-782	76	21	18293-MNO-000	112	4
06421-KRH-780	102	2				14761-KSP-910	56	8	16165-KRH-811	76	21	18305-KRH-900	112	5
06421-KRH-900	102	2				14771-KRM-840	56	9	16168-382-014	76	22	18305-KRH-G00	112	5
06430-GBJ-J10	101	1	13000-KTT-C00	69	1	14771-KSP-910	56	9	16172-KCP-J01	76	23	18320-KRH-650	112	6
06430-GCE-900	101	1	13000-KVX-600	68	1	14775-KRM-840	56	10	16180-KRH-901	110	4	18320-KRH-780	112	6
06430-KRF-B80	97	1	13011-KRM-305	69	2	14777-KGH-900	56	10	16198-KRE-901	76	24	18327-KRH-900	112	7
06430-KSY-900	101	1	13011-KVX-600	68	2	14781-MA6-000	56	11	16199-KRH-781	76	25	18328-KRH-D20	112	8
06431-MA3-405	96	1	13021-KRM-305	69	2				16210-KRH-650	54	7	18328-KRH-G00	112	8
06440-KRH-900	99	1	13021-KVX-600	68	2	15000			16210-KWK-900	54	7	18345-KRH-900ZA	112	9
06441-KRH-780	98	1	13031-KRM-305	69	2				16214-KRH-650	54	8	18350-KRH-900	112	10
06441-KRH-900	99	2	13031-KVX-600	68	2	15100-KTT-900	66	1	16214-KWK-900	54	8	18355-KRH-900	112	11
06442-KRH-780	98	2	13041-KRM-305	69	2	15130-KTT-900	66	2	16905-KRH-900	110	5	18357-MCG-000	112	12
06455-KHA-942	96	2	13041-KVX-600	68	2	15331-KTT-900	66	3	16950-KRH-901	104	1	18360-KRH-G00	113	31
			13051-KRM-305	69	2	15332-KTT-900	66	4				18373-KRH-900	112	13
			13051-KVX-600	68	2	15421-KSP-910	66	5	17000			18391-KRH-901	112	14
11000			13101-KRM-930	69	3	15430-KSP-910	66	6				18421-KFB-000	112	15
11100-KRH-650	67	1	13101-KTE-910	68	3	15436-KRM-840	66	7	17211-KRH-780	108	2	18422-KRH-900	112	16
11100-KRH-A00	67	1	13102-KRM-305	69	3	15441-KCS-650	66	8	17214-KRH-780	108	3	18600-KRH-651	110	7
11108-KTT-900	67	2	13102-KTE-305	68	3	15446-107-000	66	9	17215-KRH-900	108	4	18600-KRH-A01	110	7
11200-KRH-650	67	3	13103-KRM-305	69	3	15459-KWK-900	66	10	17217-KRH-900	108	5	18601-KRH-D20	110	8
11200-KRH-A00	67	3	13103-KTE-305	68	3	15651-KPT-A00	59	3	17219-KRE-900	108	6	18602-KRH-A00	110	9
11215-KRM-840	67	4	13104-KRM-305	69	3	15771-KV6-000	111	26	17222-KRH-650	108	7	18604-KRH-A00	110	10
11216-KRM-840	67	5	13104-KTE-305	68	3	15772-500-013	110	2	17222-KRH-780	108	8	18605-KRH-D20	110	11
11217-KRM-840	67	6	13105-KRM-305	69	3	15772-GW3-980	110	3	17225-KRH-A00	108	9	18610-KRH-D20	110	12
11330-KWK-900	59	1	13105-KTE-305	68	3	15772-KVC-900	108	1	17229-KRE-900	108	10	18640-KRH-A00	53	6
11341-KWK-900	62	1	13111-KTT-900	69	4				17235-KRH-780	108	11	18656-KRH-900	110	13
11344-KRH-900	110	1	13111-KVX-600	68	4	16000			17240-KRE-900	108	12	18657-KRH-D20	110	14
11360-KRH-780	62	2	13112-KRM-840	69	5	16010-KCH-780	75	1	17240-KRH-900	108	12	18700-KWK-900	53	7
11365-KRH-780	62	3	13115-GN5-910	68	5	16012-KRH-651	75	2	17254-KRH-900	108	13			
11393-KWK-900	59	2	13411-KTT-900	69	6	16012-KRH-A01	75	2	17255-KRM-860	108	14	19000		
11395-KWK-900	62	4	13412-KTE-910	68	6	16012-KRH-A01	75	2	17256-KO1-900	108	13	19032-KRH-660	104	10
			13421-KRM-840	69	7	16012-KRH-A01	75	2	17256-KRH-650	108	15	19040-KRH-660	104	11
			13422-KTT-900	69	8	16013-KEH-900	75	3	17260-KRH-900	110	6	19040-KRH-G20	105	24
			13426-KTT-900	69	9	16014-KGA-901	75	4	17316-KRH-900	108	16	19040-KRH-620ZA	104	12
			13427-KTT-900	69	10	16015-KRG-003	75	5	17363-KRH-650	108	17	19100-KRH-620ZB	104	12
12100-KRH-650	58	1	13428-KRM-840	69	11	16016-KRE-901	75	6	17370-419-700	108	18	19100-KRH-620ZC	104	12
12100-KVX-780	58	1	13429-KTT-900	69	12	16016-KRM-841	75	6	17373-KRE-850	108	19	19100-KRH-620ZC	104	12
12191-KWK-900	58	2	13538-KTT-900	69	13	16022-KRH-781	75	7	17410-KRE-800	108	20	19100-KRH-640ZA	104	12
12195-KTE-910	58	3				16025-KRF-B41	75	8	17505-KRH-G00ZA	105	23	19100-KRH-640ZB	104	12
			14000			16028-KEH-900	75	9	17505-KRH-G00ZB	105	23	19100-KRH-640ZC	104	12
12200-KRH-650	54	1				16048-KRH-A01	75	10	17505-KRH-G00ZC	105	23	19100-KRH-660ZA	104	12
12200-KRH-A00	54	1	14100-KRH-650	56	2	16070-KRH-681	75	11	17510-KRH-900ZA	104	2	19100-KRH-660ZB	104	12
12204-KRM-305	54	2	14100-KVX-600	56	2	16070-KRH-901	75	11	17517-KPF-900	104	3	19100-KRH-660ZC	104	12
12209-GB4-682	56	1	14321-KRM-840	57	1	16075-GHB-640	75	12	17518-KRE-900	104	4	19100-KRH-G00ZA	104	12
12210-KVX-600	54	3	14401-KVJ-911	57	2	16075-GHB-B70	75	13				19100-KRH-G00ZB	105	12
12212-KRM-840	54	4	14430-KTT-900	56	3	16100-KRH-651	76	14	17526-KRH-900	104	5	19100-KRH-G00ZC	105	12
12213-KRM-840	54	5	14451-KTT-900	56	4	16100-KRH-671	76	14	17611-KRH-900	104	6	19100-KRH-G30ZA	104	12
12213-KTT-900	54	5	14451-KVS-740	56	4	16100-KRH-681	75	14	17613-KRH-900	104	7	19100-KRH-G30ZB	104	12
12251-KRM-872	54	6	14510-KRM-842	57	3	16100-KRH-A02	75	14	17620-KRH-901	104	8	19100-KRH-G30ZC	104	12
12251-KTE-911	54	6	14515-KRM-840	57	4	16100-KRH-A12	75	14	17681-KRH-780	104	9	19100-KRH-H10ZA	104	12
12251-KVX-A00	54	6	14520-KTT-900	57	5	16100-KRH-G11	76	14	17910-KRH-780	85	1			
12252-KVS-306	54	6	14560-KSP-910	57	6	16100-KRH-G21	76	14	17910-KRH-A00	83	1	24000		
12252-KVX-600	54	6	14610-KSP-910	57	7	16119-KRF-B41	76	15				19113-MB1-870	78	1
12310-KWK-901	53	1	14711-KSP-910	56	5	16148-KB1-921	76	16	18000			19200-KRH-620ZA	105	13
12391-KRM-840	53	2	14711-KTE-910	56	5	16151-KRH-950	76	17				19200-KRH-620ZB	105	13
12396-KRM-840	53	3	14721-KTT-900	56	6	16152-KRH-900	76	18	18291-KRH-900	112	1	19200-KRH-620ZC	105	13
12397-KWG-601	53	4	14721-KVE-900	56	6	16155-KFR-701	76	19	18292-KBR-000	112	2	19200-KRH-640ZA	105	13
												19200-KRH-640ZB	105	13
												19200-KRH-640ZC	105	13
												19200-KRH-640ZD	105	13
												19200-KRH-640ZE	105	13
												19200-KRH-640ZF	105	13
												19200-KRH-640ZG	105	13
												19200-KRH-640ZH	105	13
												19200-KRH-640ZI	105	13
												19200-KRH-640ZJ	105	13
												19200-KRH-640ZK	105	13
												19200-KRH-640ZL	105	13
												19200-KRH-640ZM	105	13
												19200-KRH-640ZN	105	13
												19200-KRH-640ZO	105	13
												19200-KRH-640ZP	105	13
												19200-KRH-640ZQ	105	13
												19200-KRH-640ZR	105	13
												19200-KRH-640ZS	105	13
												19200-KRH-640ZT	105	13
												19200-KRH-640ZU	105	13
												19200-KRH-640ZV	105	13
												19200-KRH-640ZW	105	13
												19200-KRH-640ZX	105	13
												19200-KRH-640ZY	105	13
												19200-KRH-640ZZ	105	13

PART NO. INDEX

Part Number	Page	Ref.	Part Number	Page	Ref.	Part Number	Page	Ref.	Part Number	Page	Ref.	Part Number	Page	Ref.	Part Number	Page	Ref.
24436-KRM-840	73	8	31500-KRH-931	127	2	33708-KRH-901	123	3	35752-KRM-840	73	13	43000			45000		
24610-KRM-840	73	9	31510-KRH-900	127	3	33711-KRH-671	125	5	35850-KRH-A01	127	7				45108-KW8-901	96	6
24651-KRM-840	73	10	31600-KRH-781	128	5	33711-KRH-901	123	4	35852-KRH-901	127	8	43100-KRH-900ZA	101	2	45112-KS6-701	96	7
24652-KRM-840	73	11	31700-KRH-901	128	6	33712-KRH-901	123	5	35856-KRH-901	127	9	43107-MAJ-G41	96	3	45125-K79-E01	87	2
24710-KRH-900	114	1	31700-KVX-701	128	7	33712-KT1-670	120	1				43141-KRH-900	101	3	45125-KRE-921	87	2
24781-KRH-900	114	2	31916-KRM-841	54	9	33714-KRH-671	125	6	37000			43142-KAS-890	97	2	45131-HA5-672	96	8
			31917-KPH-901	54	9	33715-KRH-671	125	7				43144-KRH-900	101	4	45132-166-016	96	9
28000			31926-KRM-841	54	9	33716-KRH-900	123	20	37100-KRH-601	80	3	43145-KRH-900	101	5	45133-MA3-006	96	10
						33720-KRH-901	123	6	37101-KRH-900	105	14	43151-110-000	101	6	45134-KB7-005	97	8
28110-KTT-901	61	1	32000				125	8				43352-568-003	96	4			
28120-KYA-901	61	2				33723-KRH-901	123	7	37210-KRH-601	80	4	43353-461-771	96	5	45141-KRH-780	97	9
28126-MN4-004	61	2	32100-KRH-600	128	8		125	9	37213-KRH-901	80	5	43410-KRH-900	101	7	45145-437-970	97	10
28128-KVC-900	61	3	32100-KRH-620	128	8	33725-KRH-901	124	24	37220-KRH-601	80	6	43411-KHA-940	101	8	45150-KRH-D21	96	11
28131-KTT-900	61	4	32100-KRH-630	128	8		126	26	37224-KRH-601	80	7	43451-KRH-780	114	8	45151-GCC-000	101	6
28132-KN6-930	61	5	32100-KRH-640	128	8	33741-KAK-971	120	2	37230-KRH-601	80	8	43455-KRH-900	114	9	45190-KCZ-J71	96	12
28133-KRM-850	61	6	32111-KSP-910	63	3	33741-KRH-901	123	8	37233-KRH-901	80	9	43456-KRH-900	114	10	45203-MG3-016	96	13
28211-KVS-600	74	2	32401-KRH-900	127	4		125	10	37243-MG2-000	80	10	43472-KB9-750	114	11	45215-ML7-922	96	14
28212-KVS-600	74	3	32410-KRH-600	127	5	33741-KYY-841	120	2							45351-KRH-900	99	17
28215-KWK-900	74	4	32601-KRH-600	127	6	33741-KYY-901	105	25	38000						45410-KRH-781	97	11
28221-KRM-840	74	5	32925-958-000	54	10		120	2							45435-KCW-870	97	12
28223-KRM-840	74	6							38110-KRH-901	128	10	44301-KRH-900	98	3	45450-KRH-781	85	7
28231-KWK-900	74	7	33000			34000			38201-KRH-901	128	11	44302-KTT-950	97	4	45460-KRH-660	90	2
28251-KWG-600	74	8							38301-KVX-601	128	12		99	4	45461-KRH-900	92	2
28261-KRM-840	74	9	33103-KRH-660	78	2	34901-KRH-631	78	10	38306-KYY-970	128	13	44311-KTJ-900	98	4			
28282-KVC-840	74	10	33107-KRE-E30	78	3	34901-KRH-671	78	10				44312-KRH-900	99	5	45463-KRH-D00	87	3
28293-KRM-860	114	3	33110-KRH-601	78	4	34901-KVC-D01	78	10	40000			44620-KRH-780	98	5	45470-KRH-660	89	4
28300-KRH-920	114	4	33110-KRH-631	78	4	34903-KRE-E31	122	9				44620-KRH-900	99	6	45504-410-003	87	4
28333-KKO-000	114	5	33110-KRH-671	79	17	34903-KRH-671	78	9	40510-KRH-900	117	1	44635-KRH-780ZA	98	6	45510-KRH-631	87	5
			33117-KBR-730	78	5	34904-KRH-671	122	9	40530-KRH-781	117	2	44635-KRH-900	99	7	45510-KRH-901	87	5
30000			33117-KYY-901	78	6	34904-KRH-901	123	9	40540-K79-E02	118	25	44650-KRH-780ZA	98	7	45513-HA2-006	87	6
			33120-KRH-601	78	7		125	11	40543-KRH-900	117	3	44680-KRH-900	99	8	45517-166-006	87	7
30401-KRH-781	128	1	33120-KRH-671	79	18	34906-447-711	123	10	40545-KRH-D21	118	26	44701-KRH-780	98	8	45518-KCS-W60	85	8
30410-KRH-631	128	2	33122-KRH-601	78	8		125	12	40546-KRH-900	117	4	44701-KRH-900	99	10	45520-MG7-006	87	9
30410-KRH-651	128	2	33301-KRH-631	78	9	34907-KYS-941	122	9				44711-KRH-781	98	9	45521-HA2-006	87	10
30410-KRH-A01	128	2	33301-KVJ-911	78	9	34908-KVJ-911	80	1	41000			44711-KRH-901	99	11	45530-KRH-305	87	11
30410-KRH-G01	128	2	33400-KRH-601	122	1	34910-GFM-901	80	2				44711-KRH-902	99	11			
30500-KRH-781	128	3	33400-KRH-631	122	1				41201-KRH-650	102	3	44712-KRH-781	98	10	46000		
30700-KRH-901	128	4	33400-KRH-671	122	1	35000			41201-KRH-780	102	3	44712-KRH-901	99	12	46500-KRH-900	114	12
			33403-KRH-601	122	2	35010-KRH-600	89	1				44713-KRH-781	98	11	46513-KRH-900	114	13
31000			33403-KRH-671	122	2	35100-KRH-601	89	2	42000			44800-KRH-901	99	14	46525-KRH-900	114	14
			33405-KRH-600	122	3	35121-KRH-900	89	3				44806-KRH-780	97	5			
31110-KRH-A01	63	1	33407-GGL-A01	122	4	35131-KRH-601	83	3	42301-KRH-900	102	4	44806-KRH-901	99	15	50000		
31120-KRH-781	63	2	33450-KRH-601	122	5	35131-KRH-631	83	3	42312-KRH-900	102	5	44808-107-720	97	6			
31200-KRH-651	64	1	33450-KRH-631	122	5	35131-KRH-641	85	3	42320-KRH-900	102	6	44808-KRH-901	99	16	50100-KRH-640ZA	130	1
31200-KRM-851	64	1	33450-KRH-671	122	5	35201-KRH-601	83	4	42620-KRH-900	102	6	44830-K79-E01	80	11	50100-KRH-A00ZB	130	1
31200-KTT-900	65	1	33453-KRH-601	122	6		85	4	42635-KRH-650ZA	102	7	44830-KRH-780	80	11	50100-KRH-A40ZB	130	1
31201-KPH-W00	65	2	33453-KRH-671	122	6		85	4	42635-KRH-780ZA	102	7	44832-KRH-900	92	1	50212-KRH-900	130	2
31201-KPT-A01	64	2	33600-KRH-601	122	7	35250-KRH-901	128	9	42650-KRH-650ZA	102	8		95	25	50318-KRH-780	130	3
31201-KVC-901	64	2	33600-KRH-631	122	7	35330-KRH-901	83	5	42650-KRH-780ZA	102	8	44833-K79-E00	90	10	50320-KRH-780	130	4
31204-KG8-004	64	3	33600-KRH-671	122	7		85	5	42701-KRH-780	102	9	44833-KRH-780	90	1	50530-KRH-900	116	2
31204-KRH-651	64	3	33650-KRH-601	122	8	35340-KRH-641	85	6	42701-KRH-900	102	9	44834-KRH-780	94	1	50530-KRH-900	116	3
31205-KPH-W00	65	3	33650-KRH-631	122	8	35340-MGS-D31	87	1	42711-KRH-781	102	10				50530-KRH-A00	116	2
31205-KRM-851	64	4	33650-KRH-671	122	8	35340-MMS-600	87	1	42711-KRH-901	102	10				50532-KRH-780	130	6
31205-KYY-931	64	4	33700-KRH-671	125	1	35340-MMS-601	87	1	42711-KRH-902	102	10				50533-KRH-780	130	7
31206-KPH-881	64	5	33700-KRH-901	123	1	35350-KRH-601	114	6	42712-KRH-781	103	11						
31206-KRH-651	64	5	33705-KRH-671	125	2	35357-KRH-900	114	7	42712-KRH-901	103	11						
31207-KRH-651	64	6	33706-KRH-671	125	3	35700-KRH-631	116	1	42713-KRH-781	103	12						
31207-MBE-008	64	6	33706-KRH-900	123	2	35750-KYE-900	67	7	42713-KRH-901	103	12						
31500-KRH-661	127	2		125	4	35751-KPH-900	73	12									



PART NO. INDEX

Part Number	Page	Ref.	Part Number	Page	Ref.	Part Number	Page	Ref.	Part Number	Page	Ref.	Part Number	Page	Ref.
90116-KRH-900	78	15	90455-KRM-840	74	12	90755-229-005	100	21	94030-10200	131	22	95701-06020-00	127	13
	105	16	90456-KTT-900	71	19	90755-KRH-900	100	21	94050-06000	55	20		111	25
90117-KRH-900	112	19	90457-KRM-840	73	17	90899-KRH-900	120	16		84	24		114	22
90123-KRF-H71	92	17	90458-KVS-900	71	20				91405-KRH-900	110	20		118	24
	95	18		74	13	91000			91406-166-000	120	17	95701-06022-00	64	13
90125-KZJ-900	103	13	90463-KRM-840	53	9				91501-MR4-900	132	9		65	8
90128-KGA-B90	99	18	90501-KPT-A00	60	14	91001-KRM-842	68	10				110	21	
90131-KRH-900	96	15		63	5		70	22	92000			118	22	120
90131-KRM-840	67	9		70	18	91001-KSP-913	68	10				123	21	95701-06022-07
90145-KRH-901	87	14	90501-KRH-900	114	15		70	22	92101-06020-0A	114	17	94050-06080	97	15
90147-MCE-950	116	12	90502-KRH-780	120	14	91003-KTT-900	71	22		128	15	94050-08000	120	18
90154-KB7-700	130	17	90503-KRH-900	89	14	91003-KTT-C01	71	22				131	23	95701-06025-07
90155-KRH-900	119	5	90504-KRH-900	123	18	91004-KTN-900	72	23	93000			113	22	95701-06035-00
90156-KK6-000	130	18		125	21	91004-KTT-900	70	23				122	10	97
90156-KRH-780	131	19	90505-KRH-900	117	16	91005-KTN-900	72	24	93101-06010-0A	72	27	94050-08070	131	24
90158-KCJ-710	80	14		132	7	91006-KTN-900	72	25	93500-03020-0G	95	23	94101-03000	132	6
90201-KRM-840	63	4	90505-KRM-860	114	16	91014-KTT-901	72	24	93500-04032-0G	83	19	94101-06800	113	23
	69	15	90508-KRH-900	120	15	91015-KRH-901	90	8		86	25	94101-08000	115	17
90202-KRM-840	60	12	90509-KRH-900	105	18	91015-KTT-901	72	23	93500-04045-0G	83	20	94103-05000	123	22
90203-MF9-710	116	13	90510-KRH-900	131	20	91016-KTT-901	72	25		86	26	95701-06040-00	67	16
90206-250-000	56	13	90511-KRH-780	103	16	91051-KPS-732	103	20	93500-05016-0G	83	21	95701-06045-00	67	17
90231-GHR-600	132	6	90512-KRH-900	117	17	91053-MAY-003	103	18		86	27	95701-08012-07	129	17
90231-KRM-840	66	11		132	8	91070-GC4-601	117	18	93500-05018-0G	93	22	95701-08016-00	131	25
90301-088-660	105	26	90522-KRH-900	107	10	91071-KSP-901	117	18		95	27	95701-08018-00	115	19
	120	12		109	24	91072-KRH-901	119	7	93500-05020-0A	123	19	95701-08018-00	115	19
90301-GFM-890	123	16	90543-MV9-670	53	10	91104-KTT-901	61	8		125	22	95701-08045-00	121	21
	125	19	90544-KRF-H71	92	18	91202-KSP-910	59	9	93500-05020-0G	84	22	95701-08032-00	105	21
90301-MG8-000	123	16		95	19	91202-KSP-912	59	9		86	28	95701-08035-00	101	11
	125	19	90545-300-000	87	15	91203-KSP-910	67	12		86	28	95701-08045-00	121	22
90302-KYA-601	99	19	90546-KRH-900	91	3	91203-KSP-913	67	12	93500-05022-0A	109	22	95701-08045-07	89	16
	101	10	90559-K79-E00	103	17	91204-KSP-911	59	10	93500-05028-0G	109	25	95801-06105-00	55	22
90302-MB2-000	123	17	90559-KRH-900	103	17	91204-KSP-911	59	10	93600-04012-1G	87	17	96000		
	125	20	90602-KPT-900	74	14	91216-KSP-910	72	26	93700-05012-0A	66	14			
90304-KYA-601	119	6	90602-KRM-840	74	15	91217-KSP-911	72	26	95000			96001-06010-02	113	28
90305-KRH-650	113	20	90602-KYY-900	71	21	91251-GK4-003	97	14		80	16	96001-06010-07	113	29
90305-KSP-900	113	21	90604-KTT-900	70	19	91251-KYY-900	98	12	93700-05018-1A	80	16			
90305-KYA-601	117	15	90650-KW3-000	83	18	91251-KYY-900	98	12	93892-04010-10	76	27	95002-02070	110	22
90306-KRM-840	55	15		86	24	91253-033-003	103	19	93892-04010-18	76	28	95002-02079	77	30
90306-KYA-601	97	13		128	14	91254-KRH-901	92	20	93892-04016-08	76	29	95002-02080	105	20
	99	20	90651-KRF-H71	92	19		95	21	93893-04010-08	80	17	95002-02089	77	31
90307-KRH-901	103	14	90651-KRH-781	95	20	91256-KK3-840	80	15	93893-04012-17	88	18	95002-41050-00	109	28
90308-KRH-900	89	13	90651-KRH-900	131	21	91258-410-006	100	22	93901-25080	117	19	96001-06018-00	67	19
90309-KFO-003	103	15	90651-KRM-R20	105	19	91258-410-013	100	22	93901-32320	84	23	96001-06018-07	105	22
90309-KRH-901	103	15	90651-MA5-671	87	16	91258-MCG-901	100	22		86	29	96001-06018-07	121	23
90311-KRH-900	109	23	90678-KRH-900	110	19	91258-MCG-902	100	22	93901-34120	66	15	96001-06020-00	67	20
	120	13	90702-KRM-840	53	11	91258-MCG-902	100	22	93903-25380	109	26	96001-06022-00	57	12
90322-KRH-900	83	17		59	7	91262-KRH-901	119	8	93903-25510	109	27		88	20
	86	23		62	7	91303-KRM-840	62	8	93913-24120	107	11	95701-06010-07	113	32
90381-KRH-900	105	17	90703-KRH-900	59	8	91304-KRM-840	55	19	93913-24220	79	16	95701-06012-00	81	23
90402-KTT-900	69	16	90703-KRM-840	55	17	91305-KPH-900	67	13		80	18		90	9
90403-KTT-900	69	17		58	5	91305-KRM-840	62	9	93913-24320	80	19	96001-06030-00	59	12
90404-KPT-A00	55	16		66	13	91306-KRM-840	57	10	93913-24420	80	20	96001-06035-00	62	10
90405-KTT-900	60	13	90704-KRM-840	55	18	91307-KRM-840	59	11		80	18	96001-06040-00	59	13
90417-KRM-840	73	16	90741-KFB-000	68	8	91308-KRH-651	64	9	94000			132	11	
90432-KPT-A00	66	12		68	8	91308-KRH-651	64	9				95701-06014-00	55	21
90441-KRM-840	67	10	90755-229-003	100	21	91309-425-003	64	10	94001-05070-0S	93	23		113	25
90451-KRM-840	74	11		70	21	91309-KCW-870	65	6		95	28	96100-60030-00	60	15
90453-KVX-600	71	17		70	21	91309-KVX-A00	53	12		128	16	96140-63010-10	98	13
90454-KTT-900	71	18		70	21	91309-KYY-931	64	10	94001-06200-0S	114	18		100	23
				70	21	91309-MJO-003	53	12	94002-06000-0S	127	11	96140-63030-10	103	20
				68	9	91320-KPH-W00	65	7	94002-08000-0S	118	20	96211-08000	114	24
				70	21	91320-KYY-931	64	11	94021-06000-0S	81	21	96220-30085	73	19
				64	11	91320-MBO-000	64	11	94030-08000	118	21	96600-06016-00	63	6
				64	11							96600-06022-00	63	7



PART NO. INDEX

Part Number	Page	Ref.	Part Number	Page	Ref.	Part Number	Page	Ref.	Part Number	Page	Ref.	Part Number	Page	Ref.
98000														
98200-31500	127	14												
98200-41000	129	18												
99000														
99001-10120	132	12												
99001-14170	132	13												
99003-10000	132	14												
99003-30000	132	15												
99003-50000	132	16												
99006-12000	132	17												
99006-24000	132	18												
99008-01600	132	19												
99101-GHB-1000	77	32												
99101-GHB-1020	77	32												
99101-GHB-1050	77	32												
99103-KRH-0350	77	33												
99112-KEG-0380	77	33												

PART NAME INDEX

Part name	Page	Ref.	Part name	Page	Ref.	Part name	Page	Ref.
[A]			BOLT, FLANGE SOCKET, 6X22	55	14	BOLT, FLANGE, 6X40	59	13
ADJUSTER, CHAIN	117	3	BOLT, FLANGE, 10X110	130	15		62	11
ARM ASSY., KICK STARTER	114	4	BOLT, FLANGE, 10X52	119	5		67	16
ARM COMP., VALVE ROCKER	56	3	BOLT, FLANGE, 5X14	54	11	BOLT, FLANGE, 6X45	62	12
ARM, FR. BRAKE	97	11	BOLT, FLANGE, 6MM	78	15		67	17
ARM, RR. BRAKE	101	7		105	16	BOLT, FLANGE, 6X70	67	18
AXLE, FR. WHEEL	98	3		109	21	BOLT, FLANGE, 8X12	129	17
	99	3		110	17	BOLT, FLANGE, 8X16	131	25
AXLE, RR. WHEEL	102	4		18	18	BOLT, FLANGE, 8X18	115	19
[B]				120	11		121	21
BAG, TOOL, 160MM	132	19	BOLT, FLANGE, 6X10	113	28	BOLT, FLANGE, 8X30	113	26
BALL, STEEL, #8	114	24		29	29	BOLT, FLANGE, 8X32	105	21
BAND, AIR CLEANER CONNECTING TUBE	108	13	BOLT, FLANGE, 6X105	55	22	BOLT, FLANGE, 8X35	90	7
		15	BOLT, FLANGE, 6X12	53	14		101	11
BAND, BATTERY	127	3		81	23	BOLT, FLANGE, 8X36	89	12
BAND, EX. PIPE	112	13		90	9	BOLT, FLANGE, 8X40	96	15
BAND, FR. FORK BOOT	95	16		109	29		112	19
BAND, WIRE	83	18	BOLT, FLANGE, 6X14	55	21	BOLT, FLANGE, 8X45	89	16
	86	24		118	23		113	27
	128	14		132	11		121	22
	131	21	BOLT, FLANGE, 6X16	53	13	BOLT, FLANGE, 8X56	130	13
BAR COMP., SIDE STAND	116	2		115	16	BOLT, FLANGE, 8X72	131	19
		3	BOLT, FLANGE, 6X16	128	16	BOLT, FLANGE, 8X73	130	17
BAR, L. PILLION STEP	115	13		128	16	BOLT, FLANGE, 8X88	130	14
BAR, R. PILLION STEP	115	12		53	13	BOLT, FLANGE, 8X96	130	18
BASE COMP., NUMBER PLATE	120	7		57	11	BOLT, FR. FORK	92	17
BASE COMP., TAILLIGHT	123	4		67	15		95	18
	125	5		74	16	BOLT, HANDLE LEVER PIVOT	83	16
BATTERY	127	2		93	24		85	22
BEARING, HEAD PIPE	90	8		95	24		87	13
BEARING, NEEDLE, 17X24X20	119	7		111	29	BOLT, HEX., 6X10	72	27
BEARING, NEEDLE, 20X26X20	117	18	BOLT, FLANGE, 6X18	127	13	BOLT, HEX., 6X20	73	14
BEARING, NEEDLE, 22X29X16.8	61	8		127	13		114	17
BEARING, RADIAL BALL, 12X32X10	72	24		67	19		128	15
BEARING, RADIAL BALL, 17X40X12	72	23	BOLT, FLANGE, 6X20	67	20	BOLT, KNOCK, 5MM	57	9
BEARING, RADIAL BALL, 17X42X12	71	22		105	22	BOLT, L. CRANKCASE COVER	53	8
BEARING, RADIAL BALL, 20X47X14	72	25		121	23	BOLT, OIL, 10X22	87	14
BEARING, RADIAL BALL, 6003	60	15	BOLT, FLANGE, 6X22	57	12	BOLT, ONE-WAY, 8MM	89	11
BEARING, RADIAL BALL, 6201U	72	24		114	22	BOLT, SETTING	64	4
BEARING, RADIAL BALL, 6202 SPL	70	23		118	24	BOLT, SIDE STAND PIVOT	116	10
BEARING, RADIAL BALL, 6203	72	23	BOLT, FLANGE, 6X25	60	11		11	11
BEARING, RADIAL BALL, 6203UU	103	18		64	13	BOLT, SOCKET, 10X57	119	4
BEARING, RADIAL BALL, 6204	72	25		65	8	BOLT, SOCKET, 6MM	61	7
BEARING, RADIAL BALL, 6301U	98	13		86	33	BOLT, SOCKET, 6X16	63	6
	100	23		88	20	BOLT, SOCKET, 6X22	63	7
BEARING, RADIAL BALL, 6303U	103	20		120	19	BOLT, SOCKET, 8X30	92	16
BEARING, ROLLER, 30X58X17	68	10		60	11		95	17
	70	22		91	4	BOLT, SPECIAL, 6X14	107	9
BODY COMP., FRAME	130	1		106	5	BOLT, SPECIAL, 6X16	116	12
BODY, KEY	132	3		116	14	BOLT, SPROCKET FIXING	103	13
BOLT A, PIN	96	8	BOLT, FLANGE, 6X30	59	12	BOLT, STUD, 2, 6X16	99	18
BOLT SET	65	3	BOLT, FLANGE, 6X35	62	10	BOLT, STUD, 6X19	54	13
BOLT, BREAK OFF	130	16		126	25	BOLT, STUD, 8X22	54	12
BOLT, CYLINDER STUD, 8X140	67	8		59	12	BOLT, STUD, 8X22	54	12
BOLT, DRAIN PLUG, 12MM	67	9		66	17	BOLT, SWINGARM PIVOT	117	5
				97	16	BOLT, WIRE ADJUSTING	83	15
							85	21
						BOOT B	96	10
						BOOT COMP.	87	4



PART NAME INDEX

Part name	Page	Ref.	Part name	Page	Ref.	Part name	Page	Ref.
BOOT, FR. FORK	94	15	CAP, OIL FILTER ROTOR	66	7	COLLAR, 18.5MM	74	3
BOOT, PIN BUSH	96	9	CAP, RR. FORK END	117	4	COLLAR, 6.5X4	115	15
BOX ASSY., SPEEDOMETER GEAR ..	99	14	CAP, SPECIAL	78	6	COLLAR, BALANCER DRIVEN GEAR..	69	12
BOX, TOOL	132	1	CAP, STEERING STEM	89	6	COLLAR, CARBURETOR HEATER		
BRACKET COMP., L. PILLION STEP	115	9	CAP, SWINGARM DUST SEAL	117	7	COVER	76	18
BRACKET COMP., R. PILLION STEP	115	8	CAP, TOOL BOX	132	2	COLLAR, CHAIN GUARD	117	9
BRACKET SUB ASSY., L. FR.	96	12	CARBURETOR ASSY.	75	14	COLLAR, CHAIN ROLLER	117	13
BRACKET, AIR SUCTION VALVE ...	110	15		76	14	COLLAR, CHAMBER RR.	112	7
BRACKET, L. HANDLE LEVER	83	11	CARRIER COMP., RR.	120	5	COLLAR, CUSHION CONNECTING ROD	119	2
	85	16	CASE ASSY., UNDER	80	8	COLLAR, ENGINE MOUNT	130	3
BRACKET, NUMBER PLATE	123	15	CASE ASSY., UPPER	80	6	COLLAR, FENDER COVER	123	13
	125	17	CASE SUB ASSY., AIR CLEANER ...	108	4		125	15
BRACKET, R. HANDLE LEVER	85	15	CASE, DRIVE CHAIN	117	1	COLLAR, FENDER MOUNTING	91	2
BRIDGE COMP., FORK TOP	89	7	CASE, L. BOTTOM	92	15	COLLAR, FR. AXLE DISTANCE	98	5
BRUSH SET, TERMINAL	65	2		94	14		99	6
BULB	122	9	CASE, R. BOTTOM	92	9	COLLAR, FR. FENDER SETTING	127	10
BULB, HEADLIGHT	78	10		94	8	COLLAR, FR. WHEEL	99	5
BULB, LICENSE	123	9	CASE, WATER INLET	110	14	COLLAR, FR. WHEEL SIDE	98	4
	125	11	CENTER, CLUTCH	60	3	COLLAR, FUEL TANK MOUNTING	104	5
BULB, POSITION LIGHT	78	9	CHAIN, CAM	57	2	COLLAR, KICK SPRING	74	10
BULB, TAIL & STOP LIGHT	123	10	CHAIN, DRIVE	117	2	COLLAR, LOCK SETTING	110	16
	125	12		118	25		112	17
BULB, WEDGE BASE	80	1	CHAMBER SET, FLOAT	75	5	COLLAR, MUFFLER MOUNTING	112	16
		2	CIRCLIP	87	16	COLLAR, RR. AXLE DISTANCE	102	6
BULB, WINKER LIGHT	122	9	CIRCLIP, 20MM	71	21	COLLAR, RR. FENDER	120	14
BUSH, 17X20.5X8.0	71	4	CIRCLIP, EXTERNAL, 14MM	73	18	COLLAR, RR. WHEEL	102	5
	74	1	CIRCLIP, EXTERNAL, 16MM	74	14	COLLAR, R. CRANKSHAFT	68	6
BUSH, 20MM	71	6	CIRCLIP, EXTERNAL, 17MM	74	15	COLLAR, SEAT SETTING	106	1
		7	CIRCLIP, EXTERNAL, 28	70	19	COLLAR, SETTING	76	23
BUSH, BALANCER DRIVEN GEAR ...	69	9	CLAMP	80	9	COLLAR, SIDE MOUNTING	105	18
			CLAMPER A, BRAKE HOSE	92	2	COLLAR, STAND RUBBER SETTING..	116	9
				95	26	COLLAR, STARTER REDUCTION	61	6
[C]			CLAMPER, A.C. GENERATOR CORD ..	63	3	COLLAR, SWINGARM PIVOT CENTER		
CABLE ASSY., SPEEDOMETER	80	11	CLAMPER, SPEEDOMETER CABLE	92	1	DISTANCE	117	6
CABLE COMP., CLUTCH	83	2		95	25	COLLAR, TAILLIGHT MOUNTING	123	2
	85	2	CLAMP, TUBE	109	28		18	
CABLE COMP., FR. BRAKE	85	7		110	20		125	4
CABLE COMP., THROTTLE	83	1	CLIP C9, TUBE	105	19			21
	85	1	CLIP, BREATHER TUBE	108	16	COLLAR, UPPER ENGINE HANGER		
CABLE, BATTERY EARTH	127	6		110	2	MOUNT	130	4
CABLE, STARTER MAGNETIC			CLIP, HOSE	110	19	CORD COMP., TAILLIGHT	125	7
BATTERY	127	4	CLIP, KICK STARTER ARM	114	3	COTTER, VALVE	56	11
CABLE, STARTER MOTOR	127	5	CLIP, OIL DRAIN TUBE	111	26	COUNTERSHAFT COMP.	71	2
CALIPER SUB ASSY., L. FR.	96	11	CLIP, PISTON PIN, 13MM	68	5	COVER COMP., CYLINDER HEAD ...	53	1
CAMSHAFT COMP.	56	2	CLIP, PISTON PIN, 14MM	69	5	COVER COMP., LICENSE	123	7
CAM, FR. BRAKE	97	9	CLIP, PULSER CORD	54	10		125	9
CAM, RR. BRAKE	101	3	CLIP, TUBE	77	30	COVER COMP., L. RR.	62	2
CAP ASSY., NOISE SUPPRESSOR ..	128	4				COVER COMP., R. CRANKCASE	59	1
CAP COMP., FUEL FILLER	104	8				COVER SET, L. SIDE	107	8
CAP, 14MM	62	5		105	21	COVER SET, R. SIDE	107	3
CAP, 32MM	62	6		108	1		4	
CAP, AXLE NUT	97	4	CLIP, VALVE GUIDE	54	5	COVER SUB ASSY., AIR CLEANER..	108	9
	99	4	CLIP, WIRE	120	17	COVER, BRAKE HOSE CLAMPER	87	3
CAP, BLEEDER	96	5	CLUTCH, ONE WAY	61	2	COVER, CARBURETOR HEATER	76	17
CAP, CABLE SEALING	76	16	COCK ASSY., FUEL	104	1	COVER, L. CRANKCASE	62	1
CAP, CHANGE SWITCH CONTACT ...	73	12	COIL COMP., IGNITION	128	3	COVER, L. FR. SIDE	107	7
CAP, MASTER CYLINDER	87	6	COLLAR C	120	15	COVER, L. HANDLE LEVER	83	13
CAP, NUMBER BRACKET	120	9	COLLAR, 10MM	53	5		85	19
CAP, NUMBER PLATE BASE COMP. .	120	10				COVER, L. SIDE	107	6

PART NAME INDEX

Part name	Page	Ref.	Part name	Page	Ref.	Part name	Page	Ref.
COVER, RR. BRAKE ARM	101	8	FILTER COMP., AIR	110	6	GROMMET, SIDE COVER	105	15
COVER, R. FR. SIDE	107	1	FLAP, TIRE	98	11		107	5
COVER, R. HANDLE LEVER	85	14		99	13		120	6
COVER, SOCKET	78	8		103	12	GUARD, CHAIN	117	8
COWL SET, RR.	120	4	FLOAT SET	75	3	GUARD, MUFFLER	112	10
CRANKCASE COMP., L.	67	3	FLYWHEEL COMP.	63	1	GUARD, SIDE COWL HEAT	107	2
CRANKCASE COMP., R.	67	1	FORK ASSY., L. FR.	92	14	GUARD, SIDE STAND SWITCH	116	7
CRANKSHAFT COMP.	68	1		94	13	GUIDE COMP., AIR SUCTION VALVE		
	69	1	FORK ASSY., R. FR.	92	3	TUBE	53	7
CUSHION A	104	10		94	2	GUIDE COMP., BRAKE HOSE	89	4
CUSHION ASSY., RR.	119	1	FORK, CENTER GEARSHIFT	73	2	GUIDE COMP., DRIVE CHAIN	62	3
CUSHION, C.D.I. UNIT	128	1	FORK, GEARSHIFT	73	1	GUIDE, BRAKE CABLE LOWER	90	2
CUSHION, FUEL STRAINER	110	5	FUSE, BLADE	127	14	GUIDE, CAM CHAIN	57	7
CUSHION, FUEL TANK FR.	104	6	FUSE, MINI	129	18	GUIDE, CLUTCH OUTER	60	2
CUSHION, FUEL TANK RR.	104	7				GUIDE, FR. FORK	92	8
CUSHION, TAILLIGHT	106	4	[G]				94	7
CUSHION, VISOR	78	13	GASKET A	125	2	GUIDE, SPEEDOMETER CABLE	90	1
CYLINDER COMP.	58	1	GASKET B	125	3			10
CYLINDER SET, MASTER	87	11	GASKET B, HEAD COVER	53	3	GUIDE, VALVE	54	2
CYLINDER SUB ASSY., FR. BRAKE			GASKET C, HEAD COVER	53	4			
MASTER	87	5	GASKET SET	75	1	[H]		
C.D.I. UNIT COMP., DIGITAL ...	128	2	GASKET, CARBURETOR INSULATOR ..	54	8	HANDLE, EYE WRENCH, 12MM	132	17
			GASKET, CYLINDER	58	2	HARNES, WIRE	128	8
[D]			GASKET, CYLINDER HEAD	54	6	HEADLIGHT UNIT	78	7
DIAPHRAGM	87	9	GASKET, EX. PIPE	112	1		79	18
DISK, CLUTCH FRICTION	60	4	GASKET, FLOAT CHAMBER	76	20	HEAD COMP., CYLINDER	54	1
			GASKET, HEAD COVER	53	2	HEATER ASSY.	75	11
DISK, L. FR. BRAKE	99	17	GASKET, L. COVER	62	4	HOLDER ASSY., HELMET	130	10
DOWEL PIN, 10X12	55	17	GASKET, OIL FILTER CAP	66	10	HOLDER B2, HANDLE PIPE UPPER ..	89	15
	58	5	GASKET, R. CRANKCASE COVER ...	59	2	HOLDER COMP., CAMSHAFT	54	3
DOWEL PIN, 6X10	55	18	GASKET, TENSIONER LIFTER	57	6	HOLDER COMP., FUSE	127	8
DOWEL PIN, 8X14	53	11	GAUGE, OIL LEVEL	59	3	HOLDER SET, BRUSH	64	5
	59	7	GEAR COMP., OIL PUMP	66	2	HOLDER, BRUSH	64	5
	62	7	GEAR, BALANCER DRIVE	69	6	HOLDER, JET	76	22
	66	13	GEAR, BALANCER DRIVEN	69	8	HOLDER, L. LEVER BRACKET	83	12
	67	11	GEAR, COUNTERSHAFT FIFTH	71	14		85	17
DRIVER 1, PLUS SCREW	132	14	GEAR, COUNTERSHAFT FOURTH	71	12	HOLDER, MASTER CYLINDER	85	8
DRIVER 3, MINUS SCREW	132	15	GEAR, COUNTERSHAFT LOW	71	3		87	7
DRUM, GEARSHIFT	73	5	GEAR, COUNTERSHAFT SECOND	71	8	HOLDER, NEEDLE JET	76	21
DUCT, INLET	108	12	GEAR, COUNTERSHAFT THIRD	71	10	HORN COMP.	128	10
DUST SEAL, 17X20X2.5	114	14	GEAR, KICK STARTER IDLE	74	7	HOSE COMP., FR. BRAKE	87	2
DUST SEAL, 17X24X4	119	8	GEAR, MAINSHAFT FIFTH	71	13	HOUSING, LOWER THROTTLE	83	9
DUST SEAL, 21X37X7	98	12	GEAR, MAINSHAFT FOURTH	71	11		85	12
DUST SEAL, 40X50X5	100	22	GEAR, MAINSHAFT SECOND	71	5	HOUSING, UPPER THROTTLE	83	8
DUST SEAL, BRAKE CAM	97	8	GEAR, MAINSHAFT THIRD	71	9		85	11
	101	9	GEAR, PRIMARY DRIVE	68	7	HUB SUB ASSY., FR.	98	6
DUST SEAL, STEERING HEAD	90	3		69	14		99	7
			GEAR, SPEEDOMETER	97	5	HUB SUB ASSY., RR.	102	7
DUST SEAL, STEERING UPPER	90	4		99	15			
			GEAR, STARTER DRIVEN	61	1	[I]		
[E]			GEAR, STARTER REDUCTION	61	4	INDICATOR, FR. BRAKE	97	10
ELEMENT COMP., AIR CLEANER ...	108	2	GRIP ASSY., THROTTLE	83	6	INDICATOR, RR. BRAKE	101	5
EMBLEM, PRODUCT	89	10		85	9	INNER, FR. VISOR	78	14
			GRIP, L. HANDLE	83	7	INSULATOR, CARBURETOR	54	7
				85	10			
[F]			GRIP, SCREW DRIVER	132	16			
FENDER, FR.	91	1	GROMMET A, RR. COVER	110	1			



PART NAME INDEX

Part name	Page	Ref.	Part name	Page	Ref.	Part name	Page	Ref.
[J]			[M]			[O]		
JET COMP.	77	33	MAINSHAFT COMP.	71	1	NUT, HEX., 5MM	93	23
JET, MAIN, #100	77	32	MARK, FR.	135	2	NUT, HEX., 6MM	114	18
JET, MAIN, #102	77	32	MARK, HONDA	135	1	NUT, HEX., 8MM	118	20
JET, MAIN, #105	77	32			2			21
JET, SLOW, #38X#38	77	33	MARK, RR.	135	1	NUT, LOCK	82	1
JOINT B, BRAKE ARM	86	31	METER ASSY., COMBINATION	80	3			2
	114	10	MIRROR COMP., L.	82	4	NUT, LOCK, 14MM	66	11
JOINT, DRIVE CHAIN	118	26	MIRROR COMP., R.	82	3	NUT, SIDE STAND	116	13
JOINT, SHROUD	104	11	MOTOR ASSY., STARTER	64	1	NUT, SPECIAL FLANGE, 14MM	60	12
	105	24		65	1	NUT, SPECIAL, 4MM	123	17
			MUFFLER SUB ASSY.	112	5		125	20
[K]			[N]			[P]		
KEY COMP.	89	3	NEEDLE SET, JET	75	2	NUT, SPECIAL, 5MM	123	16
KEY SET	89	1	NUT-WASHER, 6MM	64	7	NUT, SPECIAL, 6MM	125	19
KEY, WOODRUFF, 4MM	68	8			8	NUT, SPECIAL, 8MM	105	26
		9			4	NUT, SQUARE, 5MM	120	12
	70	20		65	4	NUT, SPECIAL, 8MM	113	20
		21			5	NUT, STEERING STEM	108	14
KNOB, TRIP	80	5	NUT B, BRAKE ROD ADJUSTING	86	32	NUT, TAPPET ADJUSTING	89	13
				114	21	NUT, U, 8MM	56	13
			NUT, BEAM ADJUSTING	78	5		103	15
			NUT, CAP, 6MM	81	21	[O]		
			NUT, CLIP, 6MM	109	23	OIL SEAL, 12X18X4	59	9
				120	13	OIL SEAL, 14X22X5	67	12
			NUT, CYLINDER HEAD	55	15	OIL SEAL, 16X28X7	59	10
			NUT, EXHAUST PIPE, 8MM	113	21	OIL SEAL, 20X34X7	72	26
			NUT, FIXING	83	17	OIL SEAL, 21X37X7	100	21
				86	23	OIL SEAL, 25X47X6.5	103	19
			NUT, FLANGE, 10MM	119	6	OIL SEAL, 47X60X7	97	14
				122	10	O-RING	64	11
				131	24		65	6
			NUT, FLANGE, 12MM	97	13			7
				99	20	O-RING, 10X1.5	80	15
			NUT, FLANGE, 14MM	63	4	O-RING, 13.8X2.5	62	8
				69	15	O-RING, 18X3	59	11
				117	15	O-RING, 19.4X2.3	67	13
			NUT, FLANGE, 16MM	103	14	O-RING, 1.3X4.3	75	12
			NUT, FLANGE, 5MM	123	16	O-RING, 1.5X9.5	57	10
				125	19	O-RING, 22X2.8	93	21
			NUT, FLANGE, 6MM	55	20		95	22
				84	24	O-RING, 24.4X3.1	64	10
				86	30	O-RING, 2.4X29	75	13
				88	19	O-RING, 31.7X2.4	62	9
				97	15	O-RING, 33.5X3.0	55	19
				99	19	O-RING, 4X2	64	11
				101	10			12
				110	21	O-RING, 9.8X2.8	53	12
				118	22	OUTER COMP., CLUTCH	60	1
				123	21	OUTER, STARTING CLUTCH	61	3
				126	23			
			NUT, FLANGE, 8MM	103	15	[P]		
				113	22	PACKING	64	9
				120	18		122	4
				131	23	PACKING, MUFFLER	112	14
			NUT, HEX., 10MM	131	22			

PART NAME INDEX

Part name	Page	Ref.	Part name	Page	Ref.	Part name	Page	Ref.
PACKING, PROTECTOR	112	2	PLATE, STOPPER	54	4	RUBBER, MUFFLER MOUNTING.....	112	15
		3	PLATE, TENSIONER SETTING.....	57	4	RUBBER, PILLION STEP.....	115	10
		30	PLUG, BEARING PUSH	67	4	RUBBER, PROTECTOR	112	4
PACKING, TAILLIGHT LENS	123	3	PLUG, BREATHER TUBE	108	18	RUBBER, PROTECTOR MOUNTING.....	112	12
PAD SET, FR.	96	2	PLUG, CONE	120	16	RUBBER, RADIATOR MOUNTING.....	78	1
PANEL COMP., RR. BRAKE	101	2	PLUG, PIN	96	13	RUBBER, SEAT HINGE	123	12
PANEL SUB COMP., FR. BRAKE ...	97	7	PLUG, SPARK	54	9		125	14
PEDAL COMP., BRAKE	114	12	PROTECTOR COMP., MUFFLER.....	112	11	RUBBER, SHOCK	127	9
PEDAL COMP., CHANGE	114	1	PROTECTOR, EX. PIPE	112	9	RUBBER, SIDE COVER	112	18
PIECE, OIL LOCK	92	10	PROTECTOR, FR.	113	31	RUBBER, SPEEDOMETER.....	105	14
	94	9	PUMP ASSY., OIL	66	1		120	3
PINION, KICK STARTER	74	2				RUBBER, SPEEDOMETER MOUNTING..	80	10
PIN C, JOINT	114	9	[R]			RUBBER, STAND.....	116	8
PIN, HANGER	96	14	RATCHET, STARTER	74	5	RUBBER, STEP.....	115	6
PIN, LOCK, 8MM	66	16	RECEIVER, CLUTCH CABLE.....	59	6	RUBBER, TAILLIGHT	120	1
PIN, MAIN STEP BAR JOINT	115	1	RECTIFIER ASSY., SILICON.....	128	7	RUBBER, TANK GUARD.....	130	2
PIN, PISTON	68	4	RECTIFIER COMP., REGULATE.....	128	5			
	69	4	RECTIFIER COMP., SILICON.....	128	6	[S]		
PIN, SHIFT RETURN SPRING	73	11	REFLECTOR, FR. REFLEX.....	120	2	SCREEN, OIL FILTER	66	5
PIN, SPLIT, 2.0X12	114	19	REFLECTOR, REFLEX.....	105	25	SCREW-WASHER, 4X10.....	76	27
PIN, SPLIT, 2.0X15	115	18		120	2			28
PIN, SPLIT, 3.0X28	114	20		123	8		80	17
PIN, SPLIT, 3.0X45	132	10		125	10	SCREW-WASHER, 4X12.....	76	26
PIN, SPRING, 2X14	132	9	REFLECTOR, SIDE REFLEX.....	120	2		88	18
PIN, SPRING, 3X10	59	8	RELAY COMP., WINKER	128	12	SCREW-WASHER, 4X16.....	76	29
PIN, STEP BAR JOINT	115	2	RESONATOR	108	20	SCREW SET A.....	75	6
PIPE COMP., AIR FEED	53	6	RETAINER	96	7	SCREW SET B.....	75	9
PIPE COMP., EX.	112	6	RETAINER, GEAR BOX	99	9	SCREW, BLEEDER.....	96	4
PIPE COMP., FR. FORK	92	5	RETAINER, VALVE SPRING.....	56	9	SCREW, FLAT, 4X12.....	87	17
	94	4	RIM, FR. WHEEL	98	8	SCREW, OVAL, 5X12.....	66	14
PIPE, L. SUPPORT	130	12		99	10	SCREW, OVAL, 5X18.....	80	16
PIPE, R. SUPPORT	130	11	RIM, RR. WHEEL	102	9	SCREW, PAN, 2X6.....	80	14
PIPE, SEAT	92	12	RING	64	6	SCREW, PAN, 3X20.....	95	23
	94	11	RING SET, PISTON	68	2	SCREW, PAN, 4X32.....	83	19
PIPE, STEERING HANDLE	89	5		69	2		86	25
PISTON	68	3	RING, OIL SEAL STOP	95	20	SCREW, PAN, 4X45.....	83	20
	69	3	RING, OIL SEAL STOPPER	92	19		86	26
PISTON, 27X31	96	3	RING, PISTON	92	11	SCREW, PAN, 4X60.....	78	2
PIVOT, SHIFT DRUM STOPPER ARM	73	15		94	10	SCREW, PAN, 5X16.....	83	21
PLATE A2, FIXING	71	16	ROD COMP., RR. BRAKE	114	8		86	27
PLATE COMP., GEARSHIFT DRUM			ROD, CLUTCH LIFTER	60	9	SCREW, PAN, 5X18.....	93	22
STOPPER	73	6	ROLLER, 3X8.5	73	19		95	27
PLATE, BEARING HOLDER	67	10	ROLLER, CHAIN	117	12	SCREW, PAN, 5X20.....	84	22
PLATE, BEARING PUSH	67	6	ROTOR, OIL FILTER	66	6		86	28
PLATE, CLUTCH	60	6	ROTOR, OIL PUMP INNER.....	66	3		123	19
PLATE, CLUTCH LIFTER	60	8	ROTOR, OIL PUMP OUTER.....	66	4		125	22
PLATE, CLUTCH PRESSURE	60	7	RUBBER	104	4	SCREW, PAN, 5X22.....	109	22
PLATE, DIAPHRAGM	87	10		127	1	SCREW, PAN, 5X28.....	109	25
PLATE, HEADLIGHT UNIT	78	12	RUBBER A, FUEL TANK	104	3	SCREW, PAN, 6X6.....	57	8
PLATE, KICK STOPPER	74	4	RUBBER B, SEAT SETTING.....	106	3	SCREW, SPECIAL, 6X8.....	105	17
PLATE, L. BEARING SETTING ...	67	2	RUBBER, CHAMBER RR. MOUNTING ..	112	8	SCREW, TAPPET ADJUSTING.....	56	12
PLATE, L. ENGINE HANGER UPPER	130	6	RUBBER, CHANGE PEDAL	114	2	SCREW, TAPPING, 3X12.....	84	23
PLATE, L. FR. ENGINE HANGER ..	130	8	RUBBER, DAMPER	69	11		86	29
PLATE, L. RR. ENGINE HANGER ..	130	9	RUBBER, FR. FENDER MOUNTING ...	123	11	SCREW, TAPPING, 3.5X22.....	125	18
PLATE, PILLION STEP	115	11		125	13	SCREW, TAPPING, 4X10.....	107	11
PLATE, R. ENGINE HANGER UPPER	130	5	RUBBER, INSERT	58	3	SCREW, TAPPING, 4X12.....	79	16
PLATE, R. FR. ENGINE HANGER ..	130	7			4		80	18
PLATE, SETTING	76	15	RUBBER, MOUNTING	53	10	SCREW, TAPPING, 4X13.....	122	3
PLATE, STEP RUBBER SETTING ...	115	7						

PART NAME INDEX

Part name	Page	Ref.	Part name	Page	Ref.	Part name	Page	Ref.
SCREW, TAPPING, 4X13.5	122	3	SPRING, BRAKE SHOE	97	3	STRIPE, L. SIDE COVER	136	12
SCREW, TAPPING, 4X14	80	19		101	6		137	18
SCREW, TAPPING, 4X16	80	20	SPRING, BRUSH	64	3	STRIPE, L. TANK SHROUD	135	5
SCREW, TAPPING, 4X35	123	20	SPRING, CARBON BRUSH	64	3	STRIPE, R. FUEL TANK	137	19
SCREW, TAPPING, 4X8	66	15	SPRING, CHANGE SWITCH CONTACT	73	13	STRIPE, R. SIDE COVER	136	11
SCREW, TAPPING, 5X16	109	26	SPRING, CLUTCH	60	10		137	17
SCREW, TAPPING, 5X25	109	27	SPRING, CLUTCH LEVER	59	5	STRIPE, R. TANK SHROUD	135	3
SCREW, TAPPING, 5X8	117	19	SPRING, DAMPER	69	10	SUB TANK, RESONATOR	110	12
SEAL SET, FR. FORK	92	13	SPRING, FR. FORK	92	4	SUSPENSION, FUSE CASE	128	11
	94	12		94	3	SUSPENSION, WINKER RELAY	128	13
SEAL SET, PISTON	96	1	SPRING, GEARSHIFT RETURN	73	10	SWINGARM SUB ASSY., RR.	117	14
SEAL, AIR CLEANER	108	6	SPRING, KICK RETURN	74	9	SWITCH ASSY., CLUTCH	83	5
		10	SPRING, KICK STARTER	114	5		85	5
SEAL, DUST	92	20	SPRING, OIL THROUGH	66	9	SWITCH ASSY., COMBINATION &		
	95	21	SPRING, PAD	96	6	LOCK	89	2
SEAL, SEPARATOR	108	3	SPRING, RATCHET	74	6	SWITCH ASSY., FR. STOP	85	6
SEAL, VALVE STEM	56	1	SPRING, REBOUND	92	7		87	1
SEAT COMP., DOUBLE	106	2		94	6	SWITCH ASSY., RR. STOP	114	6
SEAT, RR. BRAKE CAM	97	2	SPRING, SHIFT DRUM STOPPER	73	8	SWITCH ASSY., SIDE STAND	116	1
	101	4	SPRING, SIDE STAND	116	6	SWITCH ASSY., STARTER MAGNETIC	127	7
SEAT, VALVE SPRING	56	10	SPRING, SIDE STAND SUB	116	4	SWITCH ASSY., THERMOSTAT	128	9
SEPARATOR COMP.	87	8	SPRING, STEP RETURN	115	4	SWITCH COMP., START	83	3
SEPARATOR SUB ASSY., AIR			SPRING, STOP SWITCH	114	7		85	3
CLEANER	108	11	SPRING, THRUST	69	13	SWITCH COMP., WINKER	83	4
SHAFT A, GEARSHIFT FORK	73	3	SPRING, VALVE	56	7		85	4
SHAFT B, GEARSHIFT FORK	73	4	SPRING, VALVE INNER	56	8	SWITCH SET, NEUTRAL	67	7
SHAFT, BALANCER	69	7	SPRING, VALVE OUTER	56	7			
SHAFT, REDUCTION GEAR	61	5	SPROCKET, CAM	57	1	[T]		
SHAFT, ROCKER ARM	56	4	SPROCKET, DRIVE	71	15			
SHOE SET, BRAKE	97	1	SPROCKET, FINAL DRIVEN	102	3	TAILLIGHT UNIT	123	1
	101	1	STATOR COMP.	63	2		125	1
SHROUD SET, L. TANK	105	13	STAY, COUPLER	80	13	TANK COMP., FUEL	104	2
SHROUD SET, R. TANK	104	12	STAY, L. VISOR	89	9	TANK SET, FUEL	105	23
	105	12	STAY, NUMBER BRACKET	123	14	TENSIONER ASSY., CAM CHAIN	57	3
SLIDER, CHAIN	117	10		125	16	TERMINAL SET, BRUSH	64	2
SLIDER, THROTTLE	83	10	STAY, RR. REFLEX REFLECTOR	120	8	THREAD, STEERING HEAD TOP	90	6
	85	13	STAY, R. VISOR	89	8	THROUGH, OIL	66	8
SOCKET COMP.	80	7	STAY, SPEEDOMETER	80	12	TIRE, FR.	98	9
SOCKET COMP., HEADLIGHT	78	4	STEM SUB ASSY., STEERING	90	5		99	11
	79	17	STEP COMP., L.	115	5	TIRE, RR.	102	10
SPACER B, BATTERY	108	5	STEP COMP., R.	115	3	T-JOINT	110	4
SPANNER, 10X12	132	12	STOPPER COMP., GEARSHIFT DRUM	73	7	TOP SET	75	4
SPANNER, 14X17	132	13	STOPPER, KEY BODY	132	4	TUBE	76	24
SPEEDOMETER COMP.	80	4	STRIPE A, L. TANK SHROUD	135	6	TUBE A, INNLET	110	13
SPINDLE COMP., GEARSHIFT	73	9		136	14	TUBE COMP., AIR VENT	76	25
SPINDLE, KICK STARTER	74	8		137	22	TUBE, 8X35	111	23
SPOKE SET A,	99	1	STRIPE A, R. TANK SHROUD	135	4	TUBE, AIR CLEANER CONNECTING	108	7
		2		136	13			8
SPOKE SET A, FR.	98	1		137	21	TUBE, AIR SUCTION VALVE		
SPOKE SET A, RR.	102	1	STRIPE B, L. TANK SHROUD	136	9	CONTROL	110	10
SPOKE SET B, FR.	98	2			10	TUBE, BREATHER	108	19
SPOKE SET B, RR.	102	2			16	TUBE, BREATHER DRAIN	108	17
SPRING ASSY., SIDE STAND	116	5			24	TUBE, EXCHANGE	110	11
SPRING A, BRAKE ROD	114	11	STRIPE B, R. TANK SHROUD	135	7	TUBE, FUEL	104	9
SPRING SET, BRAKE PEDAL	114	13		136	7	TUBE, REED VALVE	110	9
SPRING, BEAM ADJUST	78	3			8	TUBE, SUCTION	110	8
SPRING, BEARING PUSH	67	5			15	TUBE, TIRE	98	10
SPRING, BRAKE ARM	97	12			23		99	12
			STRIPE, L. FUEL TANK	137	20		103	11

1

FOREWORD INDEX

2

ENGINE GROUP

3

FRAME GROUP

4

PART NUMBER INDEX

5

PART NAME INDEX

HONDA
The Power of Dreams



PARTS CATALOGUE NEWS

Honda Motor Co., Ltd.
Service Division Service Information Dept.

Printed in Japan

CODE NO.	13KRHE02
PARTS CATALOGUE NEWS	XR125LEK/XL125LEK/XR150LEK XR125LEKE XR125LEKJ XL125LEKE XR150LEKE XR150LEKH XR150LEKJ
NEWS NO.	001

(CH-KD)

NEW MODEL XR150LEKJ-2PE,AG,CO AND MX TYPES COMPONENT PARTS-MARKETED

This Parts News XR150LEKJ-2PE,AG,CO and MX types parts exclusively and respectively are based XR150LEKJ-PE,1LA,3LA and 3LA types listed on the XR125LEK/XL125LEK/XR150LEK Parts Catalogue.

All other parts not listed herein are the same as XR150LEKJ-PE,1LA,3LA and 3LA types parts.

Model	Area code	Type	Applicable engine serial No.	Applicable frame serial No.	Applicable carburetor identification No.
XR150LEKJ	2PE	Peru			N2Q A
	AG	Argentina			PDN2P A
	CO	Colombia			PDN2N A
	MX	Mexico			

XR150LEK (XR150LEKJ).....2PE

No.	MODEL		XR150LEKJ						
	COLOR		Fighting red	Black	Ross white	Applicable model		Applicable block No.	Ref. No.
	CODE		R-134	NH-1	NH-196				
	Name of colored parts	Basic part No.	R134	NH1	NH196	Initial applicable model	Final applicable model		
1	BODY COMP., FRAME	50100-KRH-A00	ZB	ZB	ZB			F-39	1
2	BRIDGE COMP., FORK TOP	53300-KRH-660	ZA	ZA	ZA			F-7	7
3	CARRIER COMP., RR.	81200-KRH-780	ZA	ZA	ZA			F-34	5
4	COVER SET, R. SIDE	83510-KRH-900	ZB	ZA	ZB			F-24	3
5	COVER, L. FR. SIDE	83601-KRH-900	ZA	ZA	ZA			F-24	7
6	COVER, L. SIDE	83600-KRH-900	ZB	ZA	ZB			F-24	6
7	COVER, R. FR. SIDE	83501-KRH-900	ZA	ZA	ZA			F-24	1
8	COWL SET, RR.	80100-KRH-900	ZB	ZA	ZB			F-34	4
9	FENDER, FR.	61100-KRH-660	ZA	ZC	ZB			F-10	1
10	HUB SUB ASSY., RR.	42635-KRH-650	ZA	ZA	ZA			F-19-10	7
11	LABEL, DRIVE CAUTION	87560-KYY-600	ZB	ZB	ZB			F-49	6
12	MARK, FR.	61315-KRH-900	ZC	ZB	ZC			F-50	2
13	MARK, RR.	61310-KRH-900	ZC	ZB	ZC			F-50	1
14	PANEL COMP., RR. BRAKE	43100-KRH-900	ZA	ZA	ZA			F-18	2
15	PIPE, STEERING HANDLE	53100-KRH-G00	ZA	ZA	ZA			F-7	5
16	PROTECTOR, EX. PIPE	18345-KRH-900	ZA	ZA	ZA			F-27	9
17	SEAT COMP., DOUBLE	77200-KRH-780	ZB	ZB	ZB			F-23	2
18	SHROUD SET, L. TANK	19200-KRH-G00	ZB	ZA	ZC			F-21	13

XR150LEK (XR150LEKJ).....2PE

No.	MODEL		XR150LEKJ						
	COLOR		Fighting red	Black	Ross white	Applicable model		Applicable block No.	Ref. No.
	CODE		R-134	NH-1	NH-196				
	Name of colored parts	Basic part No.	R134	NH1	NH196	Initial applicable model	Final applicable model		
19	SHROUD SET, R. TANK	19100-KRH-G00	ZB	ZA	ZC			F-21	12
20	STRIPE A, L. TANK SHROUD	86192-KRH-G00	ZC	ZB	ZA			F-50	22
21	STRIPE A, R. TANK SHROUD	86191-KRH-G00	ZC	ZB	ZA			F-50	21
22	STRIPE B, L. TANK SHROUD	86194-KRH-G00	ZB	ZA	ZC			F-50	24
23	STRIPE B, R. TANK SHROUD	86193-KRH-G00	ZB	ZA	ZC			F-50	23
24	STRIPE, L. FUEL TANK	86172-KRH-G00	ZC	ZB	ZA			F-50	20
25	STRIPE, R. FUEL TANK	86171-KRH-G00	ZC	ZB	ZA			F-50	19
26	SWINGARM SUB ASSY., RR.	52200-K79-E00	ZA	ZA	ZA			F-32	14
27	TANK SET, FUEL	17505-KRH-G00	ZB	ZA	ZC			F-21	23
28	VISOR SET, FR.	61300-K79-E00	ZB	ZA	ZB			F-1	11
29	WHEEL SUB ASSY., RR.	42650-KRH-650	ZA	ZA	ZA			F-19-10	8

XR150LEK (XR150LEKJ).....AG,CO,MX

No.	MODEL		XR150LEKJ						
	COLOR		Fighting red	Black	Ross white	Applicable model		Applicable block No.	Ref. No.
	CODE		R-134	NH-1	NH-196	Initial applicable model	Final applicable model		
	Name of colored parts	Basic part No.	R134	NH1	NH196				
1	BODY COMP., FRAME	50100-KRH-A00	ZB	ZB	ZB			F-39	1
2	BRIDGE COMP., FORK TOP	53300-KRH-660	ZA	ZA	ZA			F-7	7
3	CARRIER COMP., RR.	81200-KRH-780	ZA	ZA	ZA			F-34	5
4	COVER SET, R. SIDE	83510-KRH-900	ZB	ZA	ZB			F-24	3
5	COVER, L. FR. SIDE	83601-KRH-900	ZA	ZA	ZA			F-24	7
6	COVER, L. SIDE	83600-KRH-900	ZB	ZA	ZB			F-24	6
7	COVER, R. FR. SIDE	83501-KRH-900	ZA	ZA	ZA			F-24	1
8	COWL SET, RR.	80100-KRH-900	ZB	ZA	ZB			F-34	4
9	FENDER, FR.	61100-KRH-660	ZA	ZC	ZB			F-10	1
10	HUB SUB ASSY., RR.	42635-KRH-650	ZA	ZA	ZA			F-19-10	7
11	LABEL, DRIVE CAUTION	87560-KYY-600	ZB	ZB	ZB			F-49	6
12	MARK, FR.	61315-KRH-900	ZC	ZB	ZC			F-50	2
13	MARK, RR.	61310-KRH-900	ZC	ZB	ZC			F-50	1
14	PANEL COMP., RR. BRAKE	43100-KRH-900	ZA	ZA	ZA			F-18	2
15	PIPE, STEERING HANDLE	53100-KRH-900	ZA	ZA	ZA			F-7	5
16	PROTECTOR, EX. PIPE	18345-KRH-900	ZA	ZA	ZA			F-27	9
17	SEAT COMP., DOUBLE	77200-KRH-780	ZB	ZB	ZB			F-23	2
18	SHROUD SET, L. TANK	19200-KRH-G00	ZB	ZA	ZC			F-21	13

XR150LEK (XR150LEKJ).....AG,CO,MX

No.	MODEL		XR150LEKJ						
	COLOR		Fighting red	Black	Ross white	Applicable model		Applicable block No.	Ref. No.
	CODE		R-134	NH-1	NH-196				
	Name of colored parts	Basic part No.	R134	NH1	NH196	Initial applicable model	Final applicable model		
19	SHROUD SET, R. TANK	19100-KRH-G00	ZB	ZA	ZC			F-21	12
20	STRIPE A, L. TANK SHROUD	86192-KRH-G00	ZC	ZB	ZA			F-50	22
21	STRIPE A, R. TANK SHROUD	86191-KRH-G00	ZC	ZB	ZA			F-50	21
22	STRIPE B, L. TANK SHROUD	86194-KRH-G00	ZB	ZA	ZC			F-50	24
23	STRIPE B, R. TANK SHROUD	86193-KRH-G00	ZB	ZA	ZC			F-50	23
24	STRIPE, L. FUEL TANK	86172-KRH-G00	ZC	ZB	ZA			F-50	20
25	STRIPE, R. FUEL TANK	86171-KRH-G00	ZC	ZB	ZA			F-50	19
26	SWINGARM SUB ASSY., RR.	52200-K79-E00	ZA	ZA	ZA			F-32	14
27	TANK SET, FUEL	17505-KRH-G00	ZB	ZA	ZC			F-21	23
28	VISOR SET, FR.	61300-K79-E00	ZB	ZA	ZB			F-1	11
29	WHEEL SUB ASSY., RR.	42650-KRH-650	ZA	ZA	ZA			F-19-10	8

PARTS CATALOGUE NEWS

BOOKNo. :13KRHE02

Block No.	Ref. No.	Part No.	Description	Reqd. QTY						Base Part No.	Parts catalogue code
				XR 125 LEK E	XR 125 LEK J	XL 125 LEK E	XR 150 LEK E	XR 150 LEK H	XR 150 LEK J		
E-22	14	16100-KRH-671	CARBURETOR ASSY. (PDN2N A).....	-	-	-	-	-	1	16100-KRH-651	CO, MX
	32	99101-GHB-1020	JET, MAIN, #102.....	-	-	-	-	-	1	99101-GHB-1050	CO, MX
F-1	4		SOCKET COMP., HEADLIGHT.....	-	-	-	-	-	0	33110-KRH-601	CO
	6		CAP, SPECIAL.....	-	-	-	-	-	0	33117-KYY-901	CO
	7		HEADLIGHT UNIT.....	-	-	-	-	-	0	33120-KRH-601	CO
	8		COVER, SOCKET.....	-	-	-	-	-	0	33122-KRH-601	CO
	9	34903-KRH-671	BULB, POSITION LIGHT (W5W).....	-	-	-	-	-	1	33301-KVJ-911	CO
	10	34901-KRH-671	BULB, HEADLIGHT (12V 35/35W) (OSRAM)	-	-	-	-	-	1	34901-KVC-D01	CO
	17	33110-KRH-671	SOCKET COMP., HEADLIGHT.....	-	-	-	-	-	1		CO
	18	33120-KRH-671	HEADLIGHT UNIT.....	-	-	-	-	-	1		CO
F-34	2		REFLECTOR, REFLEX (AMBER).....	-	-	-	-	-	0	33741-KYY-901	AG
	8		STAY, RR. REFLEX REFLECTOR....	-	-	-	-	-	0	84704-KRH-A50	AG
	12		NUT, SPECIAL, 6MM.....	-	-	-	-	-	0	90301-088-660	AG
F-35	1	33400-KRH-671	WINKER ASSY., R. FR. (12V 10W).	-	-	-	-	-	1	33400-KRH-601	CO
	2	33403-KRH-671	LENS COMP., R. (R. FR./L. RR.)	-	-	-	-	-	2	33403-KRH-601	CO
	3	90102-KRH-671	SCREW, TAPPING, 4X13.5.....	-	-	-	-	-	4	33405-KRH-600	CO
	4		PACKING.....	-	-	-	-	-	0	33407-GGL-A01	CO
	5	33450-KRH-671	WINKER ASSY., L. FR. (12V 10W).	-	-	-	-	-	1	33450-KRH-601	CO
	6	33453-KRH-671	LENS COMP., L. (L. FR./R. RR.)	-	-	-	-	-	2	33453-KRH-601	CO
	7	33600-KRH-671	WINKER ASSY., R. RR. (12V 10W).	-	-	-	-	-	1	33600-KRH-601	CO
	8	33650-KRH-671	WINKER ASSY., L. RR. (12V 10W).	-	-	-	-	-	1	33650-KRH-601	CO
	9	34904-KRH-671	BULB, WINKER LIGHT (12V 10W)...	-	-	-	-	-	4	34907-KYS-941	CO
F-36	1		TAILLIGHT UNIT (12V 21/5W).....	-	-	-	-	-	0	33700-KRH-901	CO

PARTS CATALOGUE NEWS

BOOKNo. :13KRHE02

Block No.	Ref. No.	Part No.	Description	Reqd. QTY						Base Part No.	Parts catalogue code
				XR 125 LEK E	XR 125 LEK J	XL 125 LEK E	XR 150 LEK E	XR 150 LEK H	XR 150 LEK J		
	2		COLLAR, TAILLIGHT MOUNTING....	-	-	-	-	-	0	33706-KRH-900	CO
	3		PACKING, TAILLIGHT LENS.....	-	-	-	-	-	0	33708-KRH-901	CO
	4		BASE COMP., TAILLIGHT.....	-	-	-	-	-	0	33711-KRH-901	CO
	5		LENS COMP., TAILLIGHT.....	-	-	-	-	-	0	33712-KRH-901	CO
	6		LIGHT ASSY., LICENSE(12V 5W)..	-	-	-	-	-	0	33720-KRH-901	CO
	7		COVER COMP., LICENSE.....	-	-	-	-	-	0	33723-KRH-901	CO
	8		REFLECTOR, REFLEX.....	-	-	-	-	-	0	33741-KRH-901	CO
	9		BULB, LICENSE(12V 5W).....	-	-	-	-	-	0	34904-KRH-901	CO
	10		BULB, TAIL & STOP LIGHT (12V 21/5W) (STANLEY)	-	-	-	-	-	0	34906-447-711	CO
	11		RUBBER, FR. FENDER MOUNTING...	-	-	-	-	-	0	61103-357-000	CO
	12		RUBBER, SEAT HINGE.....	-	-	-	-	-	0	77218-KRH-900	CO
	13		COLLAR, FENDER COVER.....	-	-	-	-	-	0	80112-KRH-901	CO
	14		STAY, NUMBER BRACKET.....	-	-	-	-	-	0	84702-KRH-900	CO
	15		BRACKET, NUMBER PLATE.....	-	-	-	-	-	0	84703-KRH-900	CO
	16		NUT, SPECIAL, 5MM.....	-	-	-	-	-	0	90301-GFM-890	CO
			NUT, FLANGE, 5MM(FUSE RASHI)..	-	-	-	-	-	0	90301-MG8-000	CO
	17		NUT, SPECIAL, 4MM.....	-	-	-	-	-	0	90302-MB2-000	CO
	18		COLLAR, TAILLIGHT MOUNTING....	-	-	-	-	-	0	90504-KRH-900	CO
	19		SCREW, PAN, 5X20.....	-	-	-	-	-	0	93500-05020-0A	CO
	20		SCREW, TAPPING, 4X35.....	-	-	-	-	-	0	33716-KRH-900	CO
	21		NUT, FLANGE, 6MM.....	-	-	-	-	-	0	94050-06000	CO
	22		WASHER, PLAIN, 5MM.....	-	-	-	-	-	0	94103-05000	CO
	23		BOLT, FLANGE, 6X25.....	-	-	-	-	-	0	96001-06025-00	CO
	24		LENS, LICENSE.....	-	-	-	-	-	0	33725-KRH-901	CO

PARTS CATALOGUE NEWS

BOOKNo. :13KRHE02

Block No.	Ref. No.	Part No.	Description	Reqd. QTY						Base Part No.	Parts catalogue code
				XR 125 LEK E	XR 125 LEK J	XL 125 LEK E	XR 150 LEK E	XR 150 LEK H	XR 150 LEK J		
F-36-1	1	33700-KRH-671	TAILLIGHT UNIT(12V 21/5W).....	-	-	-	-	-	1	00	
	2	33705-KRH-671	GASKET A.....	-	-	-	-	-	1	00	
	3	33706-KRH-671	GASKET B.....	-	-	-	-	-	1	00	
	4	33706-KRH-900	COLLAR, TAILLIGHT MOUNTING....	-	-	-	-	-	2	00	
	5	33711-KRH-671	BASE COMP., TAILLIGHT.....	-	-	-	-	-	1	00	
	6	33714-KRH-671	LENS COMP., TAILLIGHT.....	-	-	-	-	-	1	00	
	7	33715-KRH-671	CORD COMP., TAILLIGHT.....	-	-	-	-	-	1	00	
	8	33720-KRH-901	LIGHT ASSY., LICENSE(12V 5W)..	-	-	-	-	-	1	00	
	9	33723-KRH-901	COVER COMP., LICENSE.....	-	-	-	-	-	1	00	
	10	33741-KRH-901	REFLECTOR, REFLEX.....	-	-	-	-	-	1	00	
	11	34904-KRH-901	BULB, LICENSE(12V 5W).....	-	-	-	-	-	1	00	
	12	34906-447-711	BULB, TAIL & STOP LIGHT (12V 21/5W) (STANLEY)	-	-	-	-	-	1	00	
	13	61103-357-000	RUBBER, FR. FENDER MOUNTING...	-	-	-	-	-	2	00	
	14	77218-KRH-900	RUBBER, SEAT HINGE.....	-	-	-	-	-	4	00	
	15	80112-KRH-901	COLLAR, FENDER COVER.....	-	-	-	-	-	3	00	
	16	84702-KRH-900	STAY, NUMBER BRACKET.....	-	-	-	-	-	1	00	
	17	84703-KRH-900	BRACKET, NUMBER PLATE.....	-	-	-	-	-	1	00	
	18	90101-KRH-671	SCREW, TAPPING, 3.5X22.....	-	-	-	-	-	2	00	
	19	90301-GFM-890	NUT, SPECIAL, 5MM.....	-	-	-	-	-	1	00	
		90301-MG8-000	NUT, FLANGE, 5MM(FUSE RASHI)..	-	-	-	-	-	1	00	
	20	90302-MB2-000	NUT, SPECIAL, 4MM.....	-	-	-	-	-	2	00	
	21	90504-KRH-900	COLLAR, TAILLIGHT MOUNTING....	-	-	-	-	-	2	00	
	22	93500-05020-0A	SCREW, PAN, 5X20.....	-	-	-	-	-	2	00	
	23	94050-06000	NUT, FLANGE, 6MM.....	-	-	-	-	-	5	00	

PARTS CATALOGUE NEWS

BOOKNo. :13KRHE02

Block No.	Ref. No.	Part No.	Description	Reqd. QTY						Base Part No.	Parts catalogue code
				XR 125 LEK E	XR 125 LEK J	XL 125 LEK E	XR 150 LEK E	XR 150 LEK H	XR 150 LEK J		
	24	94103-05000	WASHER, PLAIN, 5MM.....	-	-	-	-	-	2	00	
	25	96001-06025-00	BOLT, FLANGE, 6X25.....	-	-	-	-	-	2	00	
	26	33725-KRH-901	LENS, LICENSE.....	-	-	-	-	-	1	00	