



# ***CBF160FS***

**CBF160FS<sub>J</sub>**  
**CBF160FS<sub>K</sub>**  
**CBF160FS<sub>M</sub>**

**PARTS CATALOGUE**

**2**

---

**FOREWORD INDEX**

**1**

---

**ENGINE GROUP**

**2**

---

**FRAME GROUP**

**3**

---

**PART NUMBER INDEX**

**4**

---

**PART NAME INDEX**

**5**

---



### Instruction for use of parts catalogue

- **This parts catalogue has been created as of March 10, 2020.**
  - Since this date, the sales practice for repair parts may have been changed or the parts may have been eliminated (listed for those not for sale).
  - The modified information is reflected on the latest Electronic Parts Catalogue (EPC).  
Also, refer to the parts catalogue news for any change.
  - See the parts catalogue news for any revision that is made after March 10, 2020.
- **Always specify the part number when ordering a part.**
  - Check the model, type, serial numbers, color, maker, and the size as needed before ordering a part.
  - Note that the illustrations (part drawings) can differ from the actual parts in shape.  
They are given just to help you to refer to the parts.
- **When modifications or additions to this parts catalogue are made, a revised edition will be issued at an appropriate time, with successively progressing revision numbers on the cover. We recommend obtaining such revisions in order to keep your parts catalogue up-to-date at all times. To check whether a parts catalogue revision has been issued, please contact your Honda distributor.**

Initial version issue date  
February 01, 2018  
**Honda Motor Co., Ltd.**

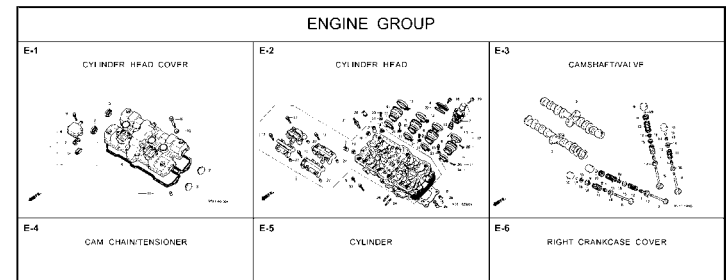
## CONTENTS

	Page
● Instruction for use of parts catalogue .....	1
● How to refer to the part information .....	2
● Part catalogue structure .....	3
● When the parts were revised.....	5
● Abbreviations used in the parts catalogue.....	5
● Part block and serial number check .....	6
● Models, parts catalogue codes and applicable serial numbers.....	7
● Color chart.....	8
● Fuel hose, general purpose hoses and vinyl hose .....	40
● FLAT RATE SERVICE TIME .....	44
● Illustrated index .....	49
● ENGINE GROUP.....	58
● FRAME GROUP.....	82
● PART NO. INDEX.....	156
● PART NAME INDEX.....	161



How to refer to the part information

A Reference with "Illustrated index"



B Reference with "Part number index"

PART NO. INDEX			
Part Number	Page	Ref.	
04000			13323-MY9-751 28 10
			13324-MY9-751 28 10
04911-MCE-000	26	1	13325-MY9-751 28 10
			13327-MY9-751 28 10
06000			14000
06405-MY5-P00	67	3	14100-MCE-000 13 2
06405-MY5-P10	67	3	14200-MCE-000 13 3
06410-MY9-860	56	1	14321-MCE-000 16 2
06435-MCE-006	55	1	14401-MCE-003 16 3
06451-166-405	51	2	14510-MCE-000 16 4
06451-443-405	55	2	14520-MY9-691 16 5
06451-MA7-405	51	1	14524-MY9-690 16 6
06455-MCE-006	51	3	14546-MCE-000 16 7
			14620-MY9-691 16 8
11000			14711-MCE-000 13 4
11210-MCE-000	25	1	14712-MCE-000 13 5
11330-MCE-305	18	1	14721-MCE-000 13 6
11333-RT3-000	22	1	14722-MCE-000 13 7
11335-MCE-000	18	2	14730-MCE-000 13 8
11360-MCE-000	23	1	14731-MCE-000 13 9
11365-MCE-000	23	2	14731-MY9-751 13 10
11396-MY9-000	18	3	14751-MY2-000 13 11
11631-MCE-000	21	1	14751-MCE-000 13 12
11691-MY9-000	21	2	14761-MCE-000 13 13

C Reference with "Part name index"

PART NAME INDEX			
Part name	Page	Ref.	Pe
[ A ]			
ADJUSTER, CHAIN	67	5	BOLT, CHANGE
ARM COMP., GEAR CHANGE	64	3	BOLT, CLUTCH
ARM, L. MAIN STEP	65	8	BOLT, CONNECT
ARM, L. PILLION STEP	65	12	BOLT, DISK, 4
ARM, R. MAIN STEP	65	5	BOLT, DRAIN F
ARM, R. PILLION STEP	65	11	BOLT, FLANGE
AUTO COOK ASSY., FUEL	73	3	BOLT, FLANGE
AXLE, FR. WHEEL	52	5	BOLT, FLANGE
AXLE, RR. WHEEL	56	3	BOLT, FLANGE
[ B ]			
BAG, AIR PRESSURE GAUGE	77	4	BOLT, FLANGE
BAG, SERVICE BOOK	77	1	BOLT, FLANGE
BAG, TOOL	77	3	BOLT, FLANGE
BALL, STEEL	65	20	BOLT, FLANGE
BAND A, INSULATOR	11	11	BOLT, FLANGE
BAND B, INSULATOR	11	12	BOLT, FLANGE
BAND, AIR CLEANER CONNECTING TUBE	62	22	BOLT, FLANGE
BAND, U-LOCK	70	3	BOLT, FLANGE
BAND, WIRE	26	14	BOLT, FLANGE
	63	21	BOLT, FLANGE
	74	18	BOLT, FLANGE

F-7 FRONT FENDER

Ref. No.	Part No.	Description	Reqd. QTY	Serial No.	Parts catalogue code
			CG400 SPX SPY		
1	45156-MCE-000	CLAMPER, R. FR. BRAKE HOSE	1		
2	45157-MCE-000	CLAMPER, L. FR. BRAKE HOSE	1		
3	61100-MCE-000A	FENDER COMP., FR. *NH41M*FORCE SILVER METALLIC	1	----- 3J,4J	
	61100-MCE-000B	*PB284C*...CANDY PHOENIX BLUE	1	----- J,2J	
4	61101-MCE-000	PLATE, FR. FENDER	2	1008000	
	61101-MCE-010	-----	2	1008001	
5	61102-MCE-300	CUSHION, FR. FENDER (BLACK)	2		
6	61105-MCE-000	STAY, FR. FENDER MOUNTING	2		
7	61107-MR7-000	COLLAR (6.5)	4		
8	96001-06020-00	BOLT, FLANGE, 6X20	4		

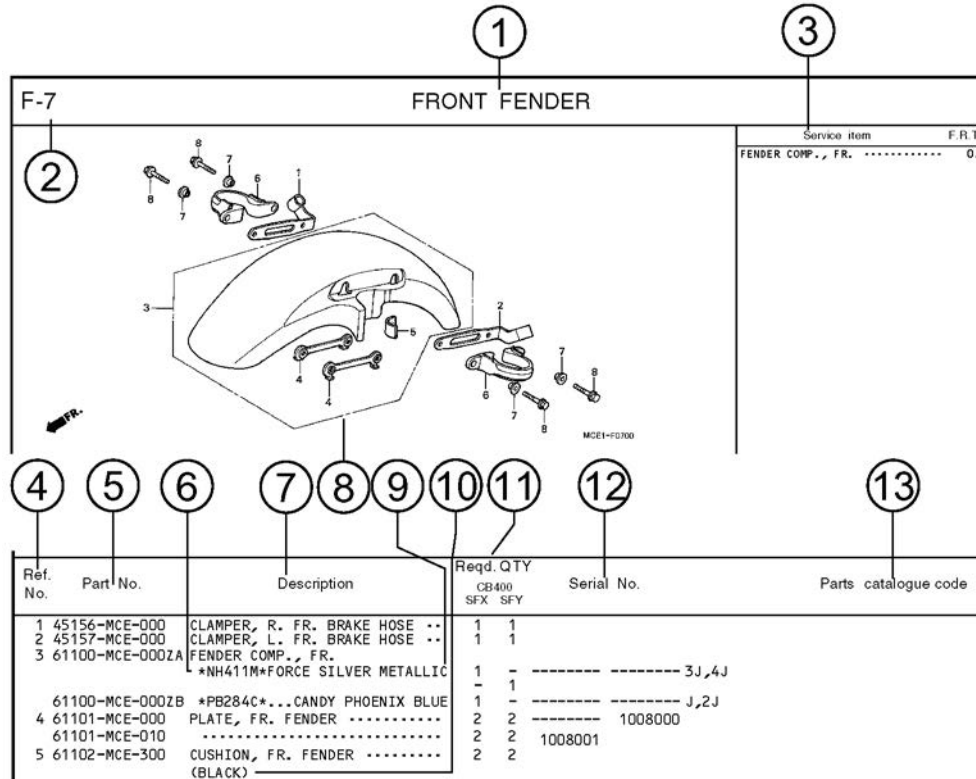
Service item F.R.T.  
FENDER COMP., FR. .... 0.3

MCE1-F0700

2000.09.01 E

Page No.

## Part catalogue structure



① Block title ② Block number

③ Service item/Flat rate time

④ Reference number

- Title number marked with the parenthesis or parentheses indicates that it continues from the previous page.

⑤ Part number ⑥ Honda color code

⑦ Description

⑧ Assemblies

- Sections framed with broken lines in the exploded view drawings are available as complete assemblies. (Their individual parts can also be obtained.)

⑨ Color description

⑩ Note

- Notes are shown with the parentheses in the part name column.

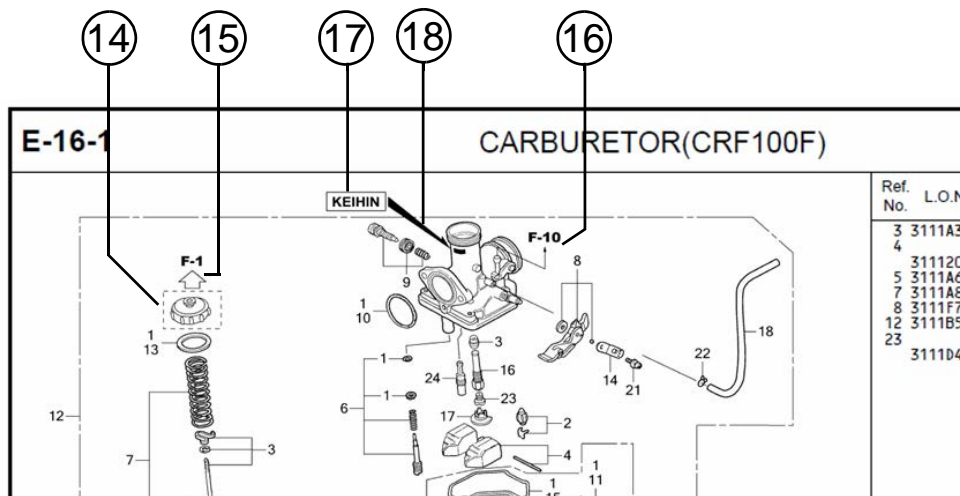
⑪ Required quantity


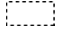
- Reqd. QTY shown in the parenthesis or parentheses indicates the optional part.
- Reqd. QTY marked with "N" indicates the optional part that should be selected as needed.
- Reqd. QTY indicates the number of the part used in the block.




⑫ Serial number


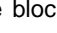
⑬ Parts catalogue code

- When the parts catalogue code column is blank, it indicates that the part is applicable to all codes.



⑭    
 • Parts enclosed within a dotted line  are covered in a different block.

⑮    
 • A hollow arrow  indicates the block No. for the parts enclosed within a dotted line .

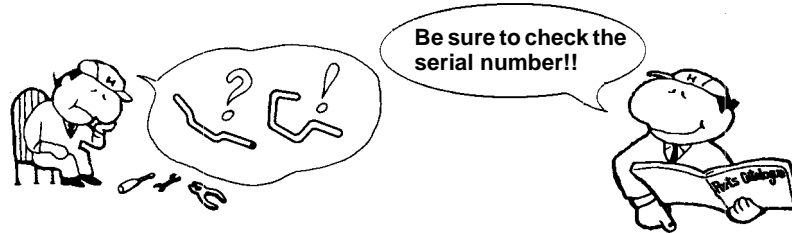
⑯    
 • A solid arrow  indicates the block No. the part in question is connected to.

⑰ **Replacement Identification Information for Designated Part No.**

⑱ **Location of Replacement Identification Information for Designated Part No.**

- If an arrow mark is indicated in 18, the part is incompatible with a different part No.
- Make sure to order the part of the same manufacture, including the component part.
- To make an order, indicate the part No., which includes the symbol displayed on the applicable section of the part to be replaced.

## When the parts were revised



Ref. No.	Part No.	Description	Reqd. QTY		Serial No.
			CB400 SFX	SFY	
1	45156-MCE-000	CLAMPER, R. FR. BRAKE HOSE ..	1	1	
2	45157-MCE-000	CLAMPER, L. FR. BRAKE HOSE ..	1	1	
3	61100-MCE-000ZA	FENDER COMP., FR. *NH411M*FORCE SILVER METALLIC	1	-	-----3J,4J
	61100-MCE-000ZB	*PB284C*...CANDY PHOENIX BLUE	1	-	-----J,2J
4	61101-MCE-000	PLATE, FR. FENDER (###).....	2	2	-----1008000
	61101-MCE-010	.....	2	2	-----1008001
5	61102-MCE-300	CUSHION, FR. FENDER ..... (BLACK)	2	2	
6	61105-MCE-000	STAY, FR. FENDER MOUNTING ...	2	2	
7	61107-MR7-000	COLLAR (6,5) .....	4	4	
8	96001-06020-00	BOLT, FLANGE, 6X20 .....	4	4	

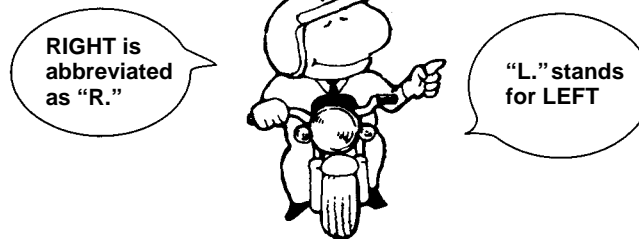
The number has been used from the initial model without revision.

When shown at the left side, it is applicable to the models of No.1008001 and the subsequent numbers.

When shown at the right side, it is applicable to the models up to No.1008000.

The parts listed with "###" at the end of the parts name have limited supply period (parts not for sale).

## Abbreviations used in the parts catalogue



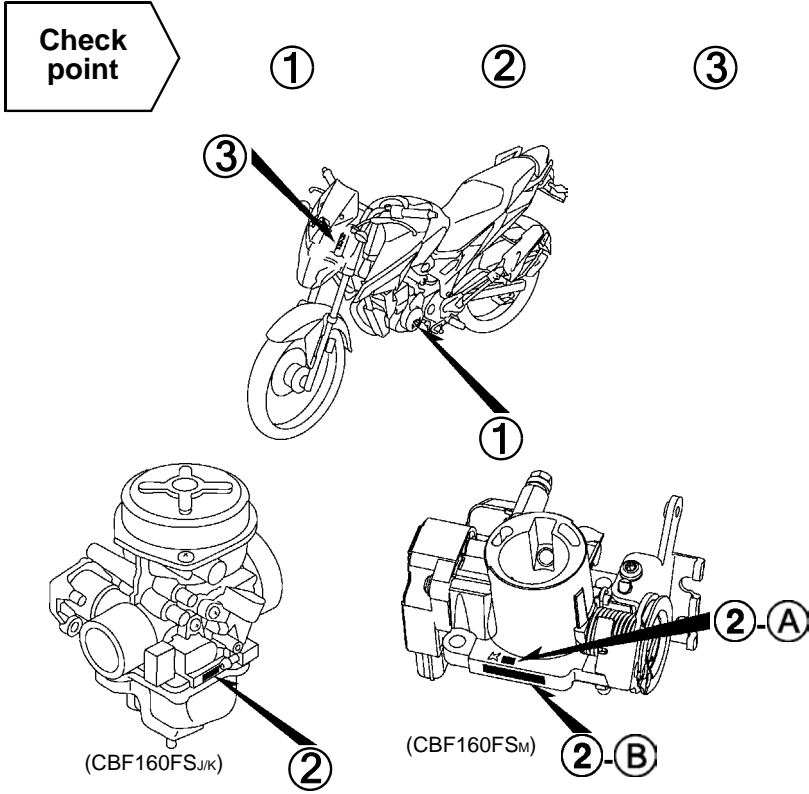
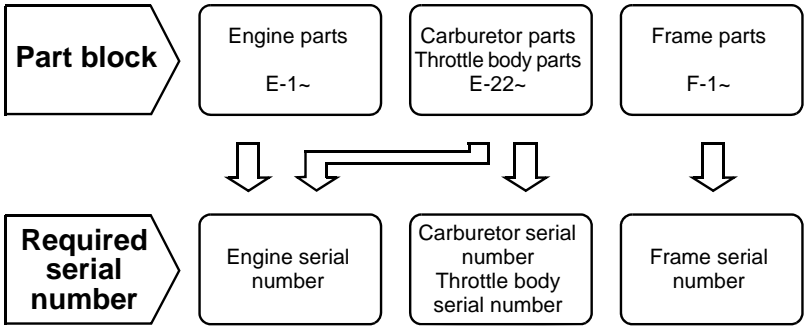
\* "L." or "R." in the description of a part stands for the LEFT hand side or the RIGHT hand side. Determine the left or right as if you were in the motorcycle seat.

### The following abbreviations are used in this parts catalogue.

A ..... Ampere	L. ....Left
ABS ..... Anti-lock brake system	L (100L) .Link (100 Links)
A.C. .... Alternating current	L.E.D. ....Light emitted diode
A.M. .... Attaching mark	MM .....Millimeter
ASSY. .... Assembly	MPH .....Miles per hour
C.D.I. .... Capacitive discharge ignition	R. ....Right
COMP. ... Complete	RR. ....Rear
CP. .... Candle power	STD. ....Standard
D.C. .... Direct current	T (22T) ...Tooth (22 Teeth)
EX. .... Exhaust	TCS .....Traction control system
FR. .... Front	T.M. ....Transcript mark
G ..... Gram	V .....Volt
HEX. .... Hexagonal	W .....Watt
IN. .... Inlet	WL .....With labelling
KPH ..... Kilometers per hour	WOL .....Without labelling

# 1

## Part block and serial number check



### Models, parts catalogue codes and applicable serial numbers

Models, parts catalogue codes and applicable serial Nos. given in this parts catalogue can be identified as follows.

Parts with parts catalogue codes are exclusive for models destined for countries designated.

If no area codes are listed, parts are for common use.

Model	Area code	Type	Applicable engine serial No.	Applicable frame serial No.	Applicable carburetor identification No.
CBF160FSJ	ID	India	KC35E-0000001~	ME4KC351*J8000001~	6BK A
	SL	Sri lanka		ME4KC353*J8000001~	
CBF160FSK	3BA	Bangladesh			6BK A
	3ID	India	KC35E-1000001~	ME4KC354*K8000001~	
	BA	Bangladesh	KC35E-2000001~	PS0KC419*KH100001~	
	ID	India	KC35E-0000001~	ME4KC352*J8000001~J8999999	

Model	Area code	Type	Applicable engine serial No.	Applicable frame serial No.	Applicable throttle body identification No.
CBF160FSM	3ID	India	KC35E-3000001~	ME4KC356*LA000001~	GQMEB A
	ID			ME4KC355*LA000001~	

\* Of carburetor/throttle body identification numbers, only the portions underlined in the example below are used for registration.

6BK A KC ア

GQ MEB A KC ア

Ⓐ Ⓑ

## Color chart

- When ordering a colored part, refer to the chart below and use a part number consisting of the relevant basic part number to which has been added a part color code.

CBF160FS (CBF160FSJ).....ID

No.	MODEL		CBF160FSJ							
	COLOR		Mat frozen silver metallic NH-C06M	Mat marvel blue metallic B-227M	Pearl igneous black NH-B05P	Mat marshal green metallic GY-155M	Applicable model		Applicable block No.	Ref. No.
	CODE		NHC06	B227	NHB05	GY155	Initial applicable model	Final applicable model		
	Name of colored parts	Basic part No.								
1	COVER ASSY. B, FUEL TANK CENTER	64440-K0E-D00	ZB	ZB	ZA	ZB			F-21-20	14
2	COVER ASSY., L. FUEL TANK	64425-K0E-D00	ZE	ZC	ZB	ZA			F-21-20	11
3	COVER ASSY., R. FUEL TANK	64415-K0E-D00	ZE	ZC	ZB	ZA			F-21-20	8
4	COWL SET, L. RR.	77280-K0E-D00	ZE	ZC	ZB	ZA			F-23-10	5
5	COWL SET, R. RR.	77270-K0E-D00	ZE	ZC	ZB	ZA			F-23-10	4
6	FENDER A, FR.	61111-K0E-D00	ZB	ZE	ZC	ZD			F-10	4
7	FENDER SET A, RR.	80110-K0E-D00	ZA	ZA	ZA	ZA			F-34	2
8	FLANGE SUB ASSY., FINAL DRIVEN	42615-K0E-D00	ZB	ZB	ZB	ZB			F-19-30	5
9	GARNISH SET, L. FR.	61316-K0E-D00	ZE	ZC	ZB	ZA			F-43	4
10	GARNISH SET, R. FR.	61306-K0E-D00	ZE	ZC	ZB	ZA			F-43	3
11	GRIP, L. RR.	50450-K0E-D00	ZA	ZA	ZA	ZA			F-23	2
12	GRIP, R. RR.	50400-K0E-D00	ZA	ZA	ZA	ZA			F-23	1
13	HOLDER, HANDLE UPPER	53131-K0E-D00	ZA	ZA	ZA	ZA			F-7	6
14	HOLDER, L. HANDLE LOWER	53142-K0E-D00	ZA	ZA	ZA	ZA			F-7	8
15	HOLDER, R. HANDLE LOWER	53132-K0E-D00	ZA	ZA	ZA	ZA			F-7	7
16	MARK, HET BS 4	86833-K43-900	ZA	ZA	ZA	ZA			F-50	12
17	MARK, HONDA	86101-K67-900	ZA	ZA	ZA	ZA			F-50	1
18	MARK, HONDA	86102-K43-900	ZA	ZA	ZA	ZA			F-50	2
19	MIRROR COMP., L.	88220-K38-941	ZA	ZA	ZA	ZA			F-3	3
20	MIRROR COMP., R.	88210-K38-941	ZA	ZA	ZA	ZA			F-3	2

CBF160FS (CBF160FSJ).....ID

No.	MODEL		CBF160FSJ							
	COLOR		Mat frozen silver metallic	Mat marvel blue metallic	Pearl igneous black	Mat marshal green metallic	Applicable model		Applicable block No.	Ref. No.
	CODE		NH-C06M	B-227M	NH-B05P	GY-155M				
	Name of colored parts	Basic part No.	NHC06	B227	NHB05	GY155	Initial applicable model	Final applicable model		
21	PANEL COMP., RR. BRAKE	43100-KYE-910	ZB	ZB	ZB	ZB			F-18	2
22	PIPE, STEERING HANDLE	53100-K0E-D00	ZA	ZA	ZA	ZA			F-7	5
23	SHROUD SET, L. GARNISH	50250-K0E-D00	ZF	ZF	ZF	ZF			F-21-20	2
24	SHROUD SET, R. GARNISH	50240-K0E-D00	ZF	ZF	ZF	ZF			F-21-20	1
25	STRIPE, L. FR. GARNISH	86614-K0E-D00	ZE	ZC	ZB	ZA			F-50	7
26	STRIPE, L. FUEL TANK COVER	86642-K0E-D00	ZE	ZC	ZB	ZA			F-50	9
27	STRIPE, L. RR. COWL	86772-K0E-D00	ZE	ZC	ZB	ZA			F-50	11
28	STRIPE, R. FR. GARNISH	86613-K0E-D00	ZE	ZC	ZB	ZA			F-50	6
29	STRIPE, R. FUEL TANK COVER	86641-K0E-D00	ZE	ZC	ZB	ZA			F-50	8
30	STRIPE, R. RR. COWL	86771-K0E-D00	ZE	ZC	ZB	ZA			F-50	10
31	STRIPE, SHROUD GARNISH	86501-K0E-D00	ZA	ZA	ZA	ZA			F-50	5
32	VISOR SET, FR.	61300-K0E-D00	ZA	ZA	ZA	ZA			F-43	1
33	WHEEL SUB ASSY., FR.	44650-K0E-D00	ZA	ZA	ZA	ZA			F-14-40	6
34	WHEEL SUB ASSY., RR.	42650-K0E-D00	ZA	ZA	ZA	ZA			F-19-30	8





## CBF160FS (CBF160FSJ).....ID

No.	MODEL		CBF160FSJ				
	COLOR		Pearl spartan red R-382P	Applicable model		Applicable block No.	Ref. No.
	CODE			R382	Initial applicable model		
	Name of colored parts	Basic part No.					
1	COVER ASSY. B, FUEL TANK CENTER	64440-K0E-D00	ZB			F-21-20	14
2	COVER ASSY., L. FUEL TANK	64425-K0E-D00	ZD			F-21-20	11
3	COVER ASSY., R. FUEL TANK	64415-K0E-D00	ZD			F-21-20	8
4	COWL SET, L. RR.	77280-K0E-D00	ZD			F-23-10	5
5	COWL SET, R. RR.	77270-K0E-D00	ZD			F-23-10	4
6	FENDER A, FR.	61111-K0E-D00	ZA			F-10	4
7	FENDER SET A, RR.	80110-K0E-D00	ZA			F-34	2
8	FLANGE SUB ASSY., FINAL DRIVEN	42615-K0E-D00	ZB			F-19-30	5
9	GARNISH SET, L. FR.	61316-K0E-D00	ZD			F-43	4
10	GARNISH SET, R. FR.	61306-K0E-D00	ZD			F-43	3
11	GRIP, L. RR.	50450-K0E-D00	ZA			F-23	2
12	GRIP, R. RR.	50400-K0E-D00	ZA			F-23	1
13	HOLDER, HANDLE UPPER	53131-K0E-D00	ZA			F-7	6
14	HOLDER, L. HANDLE LOWER	53142-K0E-D00	ZA			F-7	8
15	HOLDER, R. HANDLE LOWER	53132-K0E-D00	ZA			F-7	7
16	MARK, HET BS 4	86833-K43-900	ZA			F-50	12
17	MARK, HONDA	86101-K67-900	ZA			F-50	1
18	MARK, HONDA	86102-K43-900	ZA			F-50	2
19	MIRROR COMP., L.	88220-K38-941	ZA			F-3	3
20	MIRROR COMP., R.	88210-K38-941	ZA			F-3	2
21	PANEL COMP., RR. BRAKE	43100-KYE-910	ZB			F-18	2
22	PIPE, STEERING HANDLE	53100-K0E-D00	ZA			F-7	5
23	SHROUD SET, L. GARNISH	50250-K0E-D00	ZF			F-21-20	2
24	SHROUD SET, R. GARNISH	50240-K0E-D00	ZF			F-21-20	1

CBF160FS (CBF160FSJ).....ID

No.	MODEL		CBF160FSJ				Ref. No.
	COLOR		Pearl spartan red R-382P	Applicable model		Applicable block No.	
	CODE			Initial applicable model	Final applicable model		
	Name of colored parts	Basic part No.	R382				
25	STRIPE, L. FR. GARNISH	86614-K0E-D00	ZD			F-50	7
26	STRIPE, L. FUEL TANK COVER	86642-K0E-D00	ZD			F-50	9
27	STRIPE, L. RR. COWL	86772-K0E-D00	ZD			F-50	11
28	STRIPE, R. FR. GARNISH	86613-K0E-D00	ZD			F-50	6
29	STRIPE, R. FUEL TANK COVER	86641-K0E-D00	ZD			F-50	8
30	STRIPE, R. RR. COWL	86771-K0E-D00	ZD			F-50	10
31	STRIPE, SHROUD GARNISH	86501-K0E-D00	ZA			F-50	5
32	VISOR SET, FR.	61300-K0E-D00	ZA			F-43	1
33	WHEEL SUB ASSY., FR.	44650-K0E-D00	ZA			F-14-40	6
34	WHEEL SUB ASSY., RR.	42650-K0E-D00	ZA			F-19-30	8



## CBF160FS (CBF160FSJ).....SL

No.	MODEL		CBF160FSJ							Applicable block No.	Ref. No.
	COLOR		Mat frozen silver metallic	Mat marvel blue metallic	Pearl igneous black	Mat marshal green metallic	Applicable model				
	CODE		NH-C06M	B-227M	NH-B05P	GY-155M	Initial applicable model	Final applicable model			
	Name of colored parts	Basic part No.	NHC06	B227	NHB05	GY155					
1	COVER ASSY. B, FUEL TANK CENTER	64440-K0E-D00	ZB	ZB	ZA	ZB			F-21-20	14	
2	COVER ASSY., L. FUEL TANK	64425-K0E-D00	ZE	ZC	ZB	ZA			F-21-20	11	
3	COVER ASSY., R. FUEL TANK	64415-K0E-D00	ZE	ZC	ZB	ZA			F-21-20	8	
4	COWL SET, L. RR.	77280-K0E-D00	ZE	ZC	ZB	ZA			F-23-10	5	
5	COWL SET, R. RR.	77270-K0E-D00	ZE	ZC	ZB	ZA			F-23-10	4	
6	FENDER A, FR.	61111-K0E-D00	ZB	ZE	ZC	ZD			F-10	4	
7	FENDER SET A, RR.	80110-K0E-D00	ZA	ZA	ZA	ZA			F-34	2	
8	FLANGE SUB ASSY., FINAL DRIVEN	42615-K0E-D00	ZB	ZB	ZB	ZB			F-19-30	5	
9	GARNISH SET, L. FR.	61316-K0E-D00	ZE	ZC	ZB	ZA			F-43	4	
10	GARNISH SET, R. FR.	61306-K0E-D00	ZE	ZC	ZB	ZA			F-43	3	
11	GRIP, L. RR.	50450-K0E-D00	ZA	ZA	ZA	ZA			F-23	2	
12	GRIP, R. RR.	50400-K0E-D00	ZA	ZA	ZA	ZA			F-23	1	
13	HOLDER, HANDLE UPPER	53131-K0E-D00	ZA	ZA	ZA	ZA			F-7	6	
14	HOLDER, L. HANDLE LOWER	53142-K0E-D00	ZA	ZA	ZA	ZA			F-7	8	
15	HOLDER, R. HANDLE LOWER	53132-K0E-D00	ZA	ZA	ZA	ZA			F-7	7	
16	MARK, HET BS 4	86833-K43-900	ZA	ZA	ZA	ZA			F-50	12	
17	MARK, HONDA	86101-K67-900	ZA	ZA	ZA	ZA			F-50	1	
18	MARK, HONDA	86102-K43-900	ZA	ZA	ZA	ZA			F-50	2	
19	MIRROR COMP., L.	88220-K38-941	ZA	ZA	ZA	ZA			F-3	3	
20	MIRROR COMP., R.	88210-K38-941	ZA	ZA	ZA	ZA			F-3	2	
21	PANEL COMP., RR. BRAKE	43100-KYE-910	ZB	ZB	ZB	ZB			F-18	2	
22	PIPE, STEERING HANDLE	53100-K0E-D00	ZA	ZA	ZA	ZA			F-7	5	
23	SHROUD SET, L. GARNISH	50250-K0E-S00	ZA	ZA	ZA	ZA			F-21-20	2	
24	SHROUD SET, R. GARNISH	50240-K0E-S00	ZA	ZA	ZA	ZA			F-21-20	1	

CBF160FS (CBF160FSJ).....SL

No.	MODEL		CBF160FSJ							
	COLOR		Mat frozen silver metallic	Mat marvel blue metallic	Pearl igneous black	Mat marshal green metallic	Applicable model		Applicable block No.	Ref. No.
	CODE		NH-C06M	B-227M	NH-B05P	GY-155M	Initial applicable model	Final applicable model		
	Name of colored parts	Basic part No.	NHC06	B227	NHB05	GY155				
25	STRIPE, L. FR. GARNISH	86614-K0E-D00	ZE	ZC	ZB	ZA			F-50	7
26	STRIPE, L. FUEL TANK COVER	86642-K0E-D00	ZE	ZC	ZB	ZA			F-50	9
27	STRIPE, L. RR. COWL	86772-K0E-D00	ZE	ZC	ZB	ZA			F-50	11
28	STRIPE, R. FR. GARNISH	86613-K0E-D00	ZE	ZC	ZB	ZA			F-50	6
29	STRIPE, R. FUEL TANK COVER	86641-K0E-D00	ZE	ZC	ZB	ZA			F-50	8
30	STRIPE, R. RR. COWL	86771-K0E-D00	ZE	ZC	ZB	ZA			F-50	10
31	STRIPE, SHROUD GARNISH	86501-K0E-S00	ZA	ZA	ZA	ZA			F-50	15
32	VISOR SET, FR.	61300-K0E-D00	ZA	ZA	ZA	ZA			F-43	1
33	WHEEL SUB ASSY., FR.	44650-K0E-D00	ZA	ZA	ZA	ZA			F-14-40	6
34	WHEEL SUB ASSY., RR.	42650-K0E-D00	ZA	ZA	ZA	ZA			F-19-30	8



## CBF160FS (CBF160FSJ).....SL

No.	MODEL		CBF160FSJ				
	COLOR		Pearl spartan red R-382P	Applicable model		Applicable block No.	Ref. No.
	CODE			R382	Initial applicable model		
	Name of colored parts	Basic part No.					
1	COVER ASSY. B, FUEL TANK CENTER	64440-K0E-D00	ZB			F-21-20	14
2	COVER ASSY., L. FUEL TANK	64425-K0E-D00	ZD			F-21-20	11
3	COVER ASSY., R. FUEL TANK	64415-K0E-D00	ZD			F-21-20	8
4	COWL SET, L. RR.	77280-K0E-D00	ZD			F-23-10	5
5	COWL SET, R. RR.	77270-K0E-D00	ZD			F-23-10	4
6	FENDER A, FR.	61111-K0E-D00	ZA			F-10	4
7	FENDER SET A, RR.	80110-K0E-D00	ZA			F-34	2
8	FLANGE SUB ASSY., FINAL DRIVEN	42615-K0E-D00	ZB			F-19-30	5
9	GARNISH SET, L. FR.	61316-K0E-D00	ZD			F-43	4
10	GARNISH SET, R. FR.	61306-K0E-D00	ZD			F-43	3
11	GRIP, L. RR.	50450-K0E-D00	ZA			F-23	2
12	GRIP, R. RR.	50400-K0E-D00	ZA			F-23	1
13	HOLDER, HANDLE UPPER	53131-K0E-D00	ZA			F-7	6
14	HOLDER, L. HANDLE LOWER	53142-K0E-D00	ZA			F-7	8
15	HOLDER, R. HANDLE LOWER	53132-K0E-D00	ZA			F-7	7
16	MARK, HET BS 4	86833-K43-900	ZA			F-50	12
17	MARK, HONDA	86101-K67-900	ZA			F-50	1
18	MARK, HONDA	86102-K43-900	ZA			F-50	2
19	MIRROR COMP., L.	88220-K38-941	ZA			F-3	3
20	MIRROR COMP., R.	88210-K38-941	ZA			F-3	2
21	PANEL COMP., RR. BRAKE	43100-KYE-910	ZB			F-18	2
22	PIPE, STEERING HANDLE	53100-K0E-D00	ZA			F-7	5
23	SHROUD SET, L. GARNISH	50250-K0E-S00	ZA			F-21-20	2
24	SHROUD SET, R. GARNISH	50240-K0E-S00	ZA			F-21-20	1

CBF160FS (CBF160FSJ).....SL

No.	MODEL		CBF160FSJ				
	COLOR		Pearl spartan red R-382P	Applicable model		Applicable block No.	Ref. No.
	CODE			Initial applicable model	Final applicable model		
	Name of colored parts	Basic part No.	R382				
25	STRIPE, L. FR. GARNISH	86614-K0E-D00	ZD			F-50	7
26	STRIPE, L. FUEL TANK COVER	86642-K0E-D00	ZD			F-50	9
27	STRIPE, L. RR. COWL	86772-K0E-D00	ZD			F-50	11
28	STRIPE, R. FR. GARNISH	86613-K0E-D00	ZD			F-50	6
29	STRIPE, R. FUEL TANK COVER	86641-K0E-D00	ZD			F-50	8
30	STRIPE, R. RR. COWL	86771-K0E-D00	ZD			F-50	10
31	STRIPE, SHROUD GARNISH	86501-K0E-S00	ZA			F-50	15
32	VISOR SET, FR.	61300-K0E-D00	ZA			F-43	1
33	WHEEL SUB ASSY., FR.	44650-K0E-D00	ZA			F-14-40	6
34	WHEEL SUB ASSY., RR.	42650-K0E-D00	ZA			F-19-30	8



## CBF160FS (CBF160FSK).....3BA

No.	MODEL		CBF160FSK							Applicable block No.	Ref. No.
	COLOR		Mat frozen silver metallic	Mat marvel blue metallic	Pearl igneous black	Mat marshal green metallic	Applicable model				
	CODE		NH-C06M	B-227M	NH-B05P	GY-155M	Initial applicable model	Final applicable model			
	Name of colored parts	Basic part No.	NHC06	B227	NHB05	GY155					
1	COVER ASSY. B, FUEL TANK CENTER	64440-K0E-D00	ZB	ZB	ZA	ZB			F-21-20	14	
2	COVER ASSY., L. FUEL TANK	64425-K0E-D00	ZE	ZC	ZB	ZA			F-21-20	11	
3	COVER ASSY., R. FUEL TANK	64415-K0E-D00	ZE	ZC	ZB	ZA			F-21-20	8	
4	COVER, L. FR. FORK	61125-K0E-D20	ZA	ZA	ZA	ZA			F-11	31	
5	COVER, R. FR. FORK	61115-K0E-D20	ZA	ZA	ZA	ZA			F-11	30	
6	COWL SET, L. RR.	77280-K0E-D00	ZE	ZC	ZB	ZA			F-23-10	5	
7	COWL SET, R. RR.	77270-K0E-D00	ZE	ZC	ZB	ZA			F-23-10	4	
8	COWL, L. UNDER	64320-K0E-D20	ZA	ZA	ZA	ZA			F-45	4	
9	COWL, R. UNDER	64310-K0E-D20	ZA	ZA	ZA	ZA			F-45	3	
10	FENDER A, FR.	61111-K0E-D00	ZB	ZE	ZC	ZD			F-10	4	
11	FENDER SET A, RR.	80110-K0E-D00	ZA	ZA	ZA	ZA			F-34	2	
12	FENDER SET B, FR.	61112-K0E-D20	ZA	ZA	ZA	ZA			F-10	10	
13	FLANGE SUB ASSY., FINAL DRIVEN	42615-K0E-D20	ZA	ZA	ZA	ZA			F-19-30	5	
14	GARNISH SET, L. FR.	61316-K0E-D00	ZE	ZC	ZB	ZA			F-43	4	
15	GARNISH SET, R. FR.	61306-K0E-D00	ZE	ZC	ZB	ZA			F-43	3	
16	GRIP, L. RR.	50450-K0E-D00	ZA	ZA	ZA	ZA			F-23	2	
17	GRIP, R. RR.	50400-K0E-D00	ZA	ZA	ZA	ZA			F-23	1	
18	HOLDER, HANDLE UPPER	53131-K0E-D00	ZA	ZA	ZA	ZA			F-7	6	
19	HOLDER, L. HANDLE LOWER	53142-K0E-D00	ZA	ZA	ZA	ZA			F-7	8	
20	HOLDER, R. HANDLE LOWER	53132-K0E-D00	ZA	ZA	ZA	ZA			F-7	7	
21	MARK, ABS	86611-K0E-D20	ZA	ZA	ZA	ZA			F-50	14	
22	MARK, HET BS 4	86833-K43-900	ZA	ZA	ZA	ZA			F-50	12	
23	MARK, HONDA	86101-K67-900	ZA	ZA	ZA	ZA			F-50	1	
24	MARK, HONDA	86102-K43-900	ZA	ZA	ZA	ZA			F-50	2	

CBF160FS (CBF160FSk).....3BA

No.	MODEL		CBF160FSK							Applicable block No.	Ref. No.
	COLOR		Mat frozen silver metallic	Mat marvel blue metallic	Pearl igneous black	Mat marshal green metallic	Applicable model				
	CODE		NH-C06M	B-227M	NH-B05P	GY-155M	Initial applicable model	Final applicable model			
	Name of colored parts	Basic part No.	NHC06	B227	NHB05	GY155					
25	MIRROR COMP., L.	88220-K38-941	ZA	ZA	ZA	ZA			F-3	3	
26	MIRROR COMP., R.	88210-K38-941	ZA	ZA	ZA	ZA			F-3	2	
27	PANEL COMP., RR. BRAKE	43100-KYE-910	ZB	ZB	ZB	ZB			F-18	2	
28	PIPE, STEERING HANDLE	53100-K0E-D00	ZA	ZA	ZA	ZA			F-7	5	
29	SHROUD SET, L. GARNISH	50250-K0E-D00	ZF	ZF	ZF	ZF			F-21-20	2	
30	SHROUD SET, R. GARNISH	50240-K0E-D00	ZF	ZF	ZF	ZF			F-21-20	1	
31	STRIPE, L. FR. GARNISH	86614-K0E-D00	ZE	ZC	ZB	ZA			F-50	7	
32	STRIPE, L. FUEL TANK COVER	86642-K0E-D00	ZE	ZC	ZB	ZA			F-50	9	
33	STRIPE, L. RR. COWL	86772-K0E-D00	ZE	ZC	ZB	ZA			F-50	11	
34	STRIPE, R. FR. GARNISH	86613-K0E-D00	ZE	ZC	ZB	ZA			F-50	6	
35	STRIPE, R. FUEL TANK COVER	86641-K0E-D00	ZE	ZC	ZB	ZA			F-50	8	
36	STRIPE, R. RR. COWL	86771-K0E-D00	ZE	ZC	ZB	ZA			F-50	10	
37	STRIPE, SHROUD GARNISH	86501-K0E-D00	ZA	ZA	ZA	ZA			F-50	5	
38	STRIPE, WHEEL	86421-K0E-D20	ZD	ZB	ZC	ZA			F-50	13	
39	VISOR SET, FR.	61300-K0E-D00	ZA	ZA	ZA	ZA			F-43	1	
40	WHEEL SUB ASSY., FR.	44650-K0E-D20	ZF	ZD	ZE	ZC			F-14-40	16	
41	WHEEL SUB ASSY., RR.	42650-K0E-D20	ZE	ZC	ZD	ZB			F-19-30	19	





## CBF160FS (CBF160FSk).....3BA

No.	MODEL		CBF160FSK				
	COLOR		Pearl spartan red R-382P	Applicable model		Applicable block No.	Ref. No.
	CODE			Initial applicable model	Final applicable model		
	Name of colored parts	Basic part No.	R382				
1	COVER ASSY. B, FUEL TANK CENTER	64440-K0E-D00	ZB			F-21-20	14
2	COVER ASSY., L. FUEL TANK	64425-K0E-D00	ZD			F-21-20	11
3	COVER ASSY., R. FUEL TANK	64415-K0E-D00	ZD			F-21-20	8
4	COVER, L. FR. FORK	61125-K0E-D20	ZA			F-11	31
5	COVER, R. FR. FORK	61115-K0E-D20	ZA			F-11	30
6	COWL SET, L. RR.	77280-K0E-D00	ZD			F-23-10	5
7	COWL SET, R. RR.	77270-K0E-D00	ZD			F-23-10	4
8	COWL, L. UNDER	64320-K0E-D20	ZA			F-45	4
9	COWL, R. UNDER	64310-K0E-D20	ZA			F-45	3
10	FENDER A, FR.	61111-K0E-D00	ZA			F-10	4
11	FENDER SET A, RR.	80110-K0E-D00	ZA			F-34	2
12	FENDER SET B, FR.	61112-K0E-D20	ZA			F-10	10
13	FLANGE SUB ASSY., FINAL DRIVEN	42615-K0E-D20	ZA			F-19-30	5
14	GARNISH SET, L. FR.	61316-K0E-D00	ZD			F-43	4
15	GARNISH SET, R. FR.	61306-K0E-D00	ZD			F-43	3
16	GRIP, L. RR.	50450-K0E-D00	ZA			F-23	2
17	GRIP, R. RR.	50400-K0E-D00	ZA			F-23	1
18	HOLDER, HANDLE UPPER	53131-K0E-D00	ZA			F-7	6
19	HOLDER, L. HANDLE LOWER	53142-K0E-D00	ZA			F-7	8
20	HOLDER, R. HANDLE LOWER	53132-K0E-D00	ZA			F-7	7
21	MARK, ABS	86611-K0E-D20	ZA			F-50	14
22	MARK, HET BS 4	86833-K43-900	ZA			F-50	12
23	MARK, HONDA	86101-K67-900	ZA			F-50	1
24	MARK, HONDA	86102-K43-900	ZA			F-50	2

CBF160FS (CBF160FSk).....3BA

No.	MODEL		CBF160FSK				
	COLOR		Pearl spartan red R-382P	Applicable model		Applicable block No.	Ref. No.
	CODE			Initial applicable model	Final applicable model		
	Name of colored parts	Basic part No.	R382				
25	MIRROR COMP., L.	88220-K38-941	ZA			F-3	3
26	MIRROR COMP., R.	88210-K38-941	ZA			F-3	2
27	PANEL COMP., RR. BRAKE	43100-KYE-910	ZB			F-18	2
28	PIPE, STEERING HANDLE	53100-K0E-D00	ZA			F-7	5
29	SHROUD SET, L. GARNISH	50250-K0E-D00	ZF			F-21-20	2
30	SHROUD SET, R. GARNISH	50240-K0E-D00	ZF			F-21-20	1
31	STRIPE, L. FR. GARNISH	86614-K0E-D00	ZD			F-50	7
32	STRIPE, L. FUEL TANK COVER	86642-K0E-D00	ZD			F-50	9
33	STRIPE, L. RR. COWL	86772-K0E-D00	ZD			F-50	11
34	STRIPE, R. FR. GARNISH	86613-K0E-D00	ZD			F-50	6
35	STRIPE, R. FUEL TANK COVER	86641-K0E-D00	ZD			F-50	8
36	STRIPE, R. RR. COWL	86771-K0E-D00	ZD			F-50	10
37	STRIPE, SHROUD GARNISH	86501-K0E-D00	ZA			F-50	5
38	STRIPE, WHEEL	86421-K0E-D20	ZC			F-50	13
39	VISOR SET, FR.	61300-K0E-D00	ZA			F-43	1
40	WHEEL SUB ASSY., FR.	44650-K0E-D20	ZE			F-14-40	16
41	WHEEL SUB ASSY., RR.	42650-K0E-D20	ZD			F-19-30	19

## CBF160FS (CBF160FSk).....3ID

No.	MODEL		CBF160FSK							Applicable block No.	Ref. No.
	COLOR		Mat frozen silver metallic	Mat marvel blue metallic	Pearl igneous black	Mat marshal green metallic	Applicable model				
	CODE		NH-C06M	B-227M	NH-B05P	GY-155M	Initial applicable model	Final applicable model			
	Name of colored parts	Basic part No.	NHC06	B227	NHB05	GY155					
1	COVER ASSY. B, FUEL TANK CENTER	64440-K0E-D00	ZB	ZB	ZA	ZB			F-21-20	14	
2	COVER ASSY., L. FUEL TANK	64425-K0E-D00	ZE	ZC	ZB	ZA			F-21-20	11	
3	COVER ASSY., R. FUEL TANK	64415-K0E-D00	ZE	ZC	ZB	ZA			F-21-20	8	
4	COVER, L. FR. FORK	61125-K0E-D20	ZA	ZA	ZA	ZA			F-11	31	
5	COVER, R. FR. FORK	61115-K0E-D20	ZA	ZA	ZA	ZA			F-11	30	
6	COWL SET, L. RR.	77280-K0E-D00	ZE	ZC	ZB	ZA			F-23-10	5	
7	COWL SET, R. RR.	77270-K0E-D00	ZE	ZC	ZB	ZA			F-23-10	4	
8	COWL, L. UNDER	64320-K0E-D20	ZA	ZA	ZA	ZA			F-45	4	
9	COWL, R. UNDER	64310-K0E-D20	ZA	ZA	ZA	ZA			F-45	3	
10	FENDER A, FR.	61111-K0E-D00	ZB	ZE	ZC	ZD			F-10	4	
11	FENDER SET A, RR.	80110-K0E-D00	ZA	ZA	ZA	ZA			F-34	2	
12	FENDER SET B, FR.	61112-K0E-D20	ZA	ZA	ZA	ZA			F-10	10	
13	FLANGE SUB ASSY., FINAL DRIVEN	42615-K0E-D20	ZA	ZA	ZA	ZA			F-19-30	5	
14	GARNISH SET, L. FR.	61316-K0E-D00	ZE	ZC	ZB	ZA			F-43	4	
15	GARNISH SET, R. FR.	61306-K0E-D00	ZE	ZC	ZB	ZA			F-43	3	
16	GRIP, L. RR.	50450-K0E-D00	ZA	ZA	ZA	ZA			F-23	2	
17	GRIP, R. RR.	50400-K0E-D00	ZA	ZA	ZA	ZA			F-23	1	
18	HOLDER, HANDLE UPPER	53131-K0E-D00	ZA	ZA	ZA	ZA			F-7	6	
19	HOLDER, L. HANDLE LOWER	53142-K0E-D00	ZA	ZA	ZA	ZA			F-7	8	
20	HOLDER, R. HANDLE LOWER	53132-K0E-D00	ZA	ZA	ZA	ZA			F-7	7	
21	MARK, ABS	86611-K0E-D20	ZA	ZA	ZA	ZA			F-50	14	
22	MARK, HET BS 4	86833-K43-900	ZA	ZA	ZA	ZA			F-50	12	
23	MARK, HONDA	86101-K67-900	ZA	ZA	ZA	ZA			F-50	1	
24	MARK, HONDA	86102-K43-900	ZA	ZA	ZA	ZA			F-50	2	

CBF160FS (CBF160FSk).....3ID

No.	MODEL		CBF160FSK							
	COLOR		Mat frozen silver metallic	Mat marvel blue metallic	Pearl igneous black	Mat marshal green metallic	Applicable model		Applicable block No.	Ref. No.
	CODE		NH-C06M	B-227M	NH-B05P	GY-155M				
	Name of colored parts	Basic part No.	NHC06	B227	NHB05	GY155	Initial applicable model	Final applicable model		
25	MIRROR COMP., L.	88220-K38-941	ZA	ZA	ZA	ZA			F-3	3
26	MIRROR COMP., R.	88210-K38-941	ZA	ZA	ZA	ZA			F-3	2
27	PANEL COMP., RR. BRAKE	43100-KYE-910	ZB	ZB	ZB	ZB			F-18	2
28	PIPE, STEERING HANDLE	53100-K0E-D00	ZA	ZA	ZA	ZA			F-7	5
29	SHROUD SET, L. GARNISH	50250-K0E-D00	ZF	ZF	ZF	ZF			F-21-20	2
30	SHROUD SET, R. GARNISH	50240-K0E-D00	ZF	ZF	ZF	ZF			F-21-20	1
31	STRIPE, L. FR. GARNISH	86614-K0E-D00	ZE	ZC	ZB	ZA			F-50	7
32	STRIPE, L. FUEL TANK COVER	86642-K0E-D00	ZE	ZC	ZB	ZA			F-50	9
33	STRIPE, L. RR. COWL	86772-K0E-D00	ZE	ZC	ZB	ZA			F-50	11
34	STRIPE, R. FR. GARNISH	86613-K0E-D00	ZE	ZC	ZB	ZA			F-50	6
35	STRIPE, R. FUEL TANK COVER	86641-K0E-D00	ZE	ZC	ZB	ZA			F-50	8
36	STRIPE, R. RR. COWL	86771-K0E-D00	ZE	ZC	ZB	ZA			F-50	10
37	STRIPE, SHROUD GARNISH	86501-K0E-D00	ZA	ZA	ZA	ZA			F-50	5
38	STRIPE, WHEEL	86421-K0E-D20	ZD	ZB	ZC	ZA			F-50	13
39	VISOR SET, FR.	61300-K0E-D00	ZA	ZA	ZA	ZA			F-43	1
40	WHEEL SUB ASSY., FR.	44650-K0E-D20	ZF	ZD	ZE	ZC			F-14-40	16
41	WHEEL SUB ASSY., RR.	42650-K0E-D20	ZE	ZC	ZD	ZB			F-19-30	19



## CBF160FS (CBF160FSk).....3ID

No.	MODEL		CBF160FSK				
	COLOR		Pearl spartan red R-382P	Applicable model		Applicable block No.	Ref. No.
	CODE			Initial applicable model	Final applicable model		
	Name of colored parts	Basic part No.	R382				
1	COVER ASSY. B, FUEL TANK CENTER	64440-K0E-D00	ZB			F-21-20	14
2	COVER ASSY., L. FUEL TANK	64425-K0E-D00	ZD			F-21-20	11
3	COVER ASSY., R. FUEL TANK	64415-K0E-D00	ZD			F-21-20	8
4	COVER, L. FR. FORK	61125-K0E-D20	ZA			F-11	31
5	COVER, R. FR. FORK	61115-K0E-D20	ZA			F-11	30
6	COWL SET, L. RR.	77280-K0E-D00	ZD			F-23-10	5
7	COWL SET, R. RR.	77270-K0E-D00	ZD			F-23-10	4
8	COWL, L. UNDER	64320-K0E-D20	ZA			F-45	4
9	COWL, R. UNDER	64310-K0E-D20	ZA			F-45	3
10	FENDER A, FR.	61111-K0E-D00	ZA			F-10	4
11	FENDER SET A, RR.	80110-K0E-D00	ZA			F-34	2
12	FENDER SET B, FR.	61112-K0E-D20	ZA			F-10	10
13	FLANGE SUB ASSY., FINAL DRIVEN	42615-K0E-D20	ZA			F-19-30	5
14	GARNISH SET, L. FR.	61316-K0E-D00	ZD			F-43	4
15	GARNISH SET, R. FR.	61306-K0E-D00	ZD			F-43	3
16	GRIP, L. RR.	50450-K0E-D00	ZA			F-23	2
17	GRIP, R. RR.	50400-K0E-D00	ZA			F-23	1
18	HOLDER, HANDLE UPPER	53131-K0E-D00	ZA			F-7	6
19	HOLDER, L. HANDLE LOWER	53142-K0E-D00	ZA			F-7	8
20	HOLDER, R. HANDLE LOWER	53132-K0E-D00	ZA			F-7	7
21	MARK, ABS	86611-K0E-D20	ZA			F-50	14
22	MARK, HET BS 4	86833-K43-900	ZA			F-50	12
23	MARK, HONDA	86101-K67-900	ZA			F-50	1
24	MARK, HONDA	86102-K43-900	ZA			F-50	2

CBF160FS (CBF160FSk).....3ID

No.	MODEL		CBF160FSK				
	COLOR		Pearl spartan red R-382P	Applicable model		Applicable block No.	Ref. No.
	CODE			Initial applicable model	Final applicable model		
	Name of colored parts	Basic part No.	R382				
25	MIRROR COMP., L.	88220-K38-941	ZA			F-3	3
26	MIRROR COMP., R.	88210-K38-941	ZA			F-3	2
27	PANEL COMP., RR. BRAKE	43100-KYE-910	ZB			F-18	2
28	PIPE, STEERING HANDLE	53100-K0E-D00	ZA			F-7	5
29	SHROUD SET, L. GARNISH	50250-K0E-D00	ZF			F-21-20	2
30	SHROUD SET, R. GARNISH	50240-K0E-D00	ZF			F-21-20	1
31	STRIPE, L. FR. GARNISH	86614-K0E-D00	ZD			F-50	7
32	STRIPE, L. FUEL TANK COVER	86642-K0E-D00	ZD			F-50	9
33	STRIPE, L. RR. COWL	86772-K0E-D00	ZD			F-50	11
34	STRIPE, R. FR. GARNISH	86613-K0E-D00	ZD			F-50	6
35	STRIPE, R. FUEL TANK COVER	86641-K0E-D00	ZD			F-50	8
36	STRIPE, R. RR. COWL	86771-K0E-D00	ZD			F-50	10
37	STRIPE, SHROUD GARNISH	86501-K0E-D00	ZA			F-50	5
38	STRIPE, WHEEL	86421-K0E-D20	ZC			F-50	13
39	VISOR SET, FR.	61300-K0E-D00	ZA			F-43	1
40	WHEEL SUB ASSY., FR.	44650-K0E-D20	ZE			F-14-40	16
41	WHEEL SUB ASSY., RR.	42650-K0E-D20	ZD			F-19-30	19



## CBF160FS (CBF160FSk).....BA

No.	MODEL		CBF160FSK							Applicable block No.	Ref. No.
	COLOR		Mat frozen silver metallic	Mat marvel blue metallic	Pearl igneous black	Mat marshal green metallic	Applicable model				
	CODE		NH-C06M	B-227M	NH-B05P	GY-155M	Initial applicable model	Final applicable model			
	Name of colored parts	Basic part No.	NHC06	B227	NHB05	GY155					
1	COVER ASSY. B, FUEL TANK CENTER	64440-K0E-D00	ZB	ZB	ZA	ZB			F-21-20	14	
2	COVER ASSY., L. FUEL TANK	64425-K0E-D00	ZE	ZC	ZB	ZA			F-21-20	11	
3	COVER ASSY., R. FUEL TANK	64415-K0E-D00	ZE	ZC	ZB	ZA			F-21-20	8	
4	COVER, L. FR. FORK	61125-K0E-D20	ZA	ZA	ZA	ZA			F-11	31	
5	COVER, R. FR. FORK	61115-K0E-D20	ZA	ZA	ZA	ZA			F-11	30	
6	COWL SET, L. RR.	77280-K0E-D00	ZE	ZC	ZB	ZA			F-23-10	5	
7	COWL SET, R. RR.	77270-K0E-D00	ZE	ZC	ZB	ZA			F-23-10	4	
8	COWL, L. UNDER	64320-K0E-D20	ZA	ZA	ZA	ZA			F-45	4	
9	COWL, R. UNDER	64310-K0E-D20	ZA	ZA	ZA	ZA			F-45	3	
10	FENDER A, FR.	61111-K0E-D00	ZB	ZE	ZC	ZD			F-10	4	
11	FENDER SET A, RR.	80110-K0E-D00	ZA	ZA	ZA	ZA			F-34	2	
12	FLANGE SUB ASSY., FINAL DRIVEN	42615-K0E-D20	ZA	ZA	ZA	ZA			F-19-30	5	
13	GARNISH SET, L. FR.	61316-K0E-D00	ZE	ZC	ZB	ZA			F-43	4	
14	GARNISH SET, R. FR.	61306-K0E-D00	ZE	ZC	ZB	ZA			F-43	3	
15	GRIP, L. RR.	50450-K0E-D00	ZA	ZA	ZA	ZA			F-23	2	
16	GRIP, R. RR.	50400-K0E-D00	ZA	ZA	ZA	ZA			F-23	1	
17	HOLDER, HANDLE UPPER	53131-K0E-D00	ZA	ZA	ZA	ZA			F-7	6	
18	HOLDER, L. HANDLE LOWER	53142-K0E-D00	ZA	ZA	ZA	ZA			F-7	8	
19	HOLDER, R. HANDLE LOWER	53132-K0E-D00	ZA	ZA	ZA	ZA			F-7	7	
20	MARK, HET BS 4	86833-K43-900	ZA	ZA	ZA	ZA			F-50	12	
21	MARK, HONDA	86101-K67-900	ZA	ZA	ZA	ZA			F-50	1	
22	MARK, HONDA	86102-K43-900	ZA	ZA	ZA	ZA			F-50	2	
23	MIRROR COMP., L.	88220-K38-941	ZA	ZA	ZA	ZA			F-3	3	
24	MIRROR COMP., R.	88210-K38-941	ZA	ZA	ZA	ZA			F-3	2	

CBF160FS (CBF160FSk).....BA

No.	MODEL		CBF160FSK							
	COLOR		Mat frozen silver metallic	Mat marvel blue metallic	Pearl igneous black	Mat marshal green metallic	Applicable model		Applicable block No.	Ref. No.
	CODE		NH-C06M	B-227M	NH-B05P	GY-155M				
	Name of colored parts	Basic part No.	NHC06	B227	NHB05	GY155	Initial applicable model	Final applicable model		
25	PANEL COMP., RR. BRAKE	43100-KYE-910	ZB	ZB	ZB	ZB			F-18	2
26	PIPE, STEERING HANDLE	53100-K0E-D00	ZA	ZA	ZA	ZA			F-7	5
27	SHROUD SET, L. GARNISH	50250-K0E-D00	ZF	ZF	ZF	ZF			F-21-20	2
28	SHROUD SET, R. GARNISH	50240-K0E-D00	ZF	ZF	ZF	ZF			F-21-20	1
29	STRIPE, L. FR. GARNISH	86614-K0E-D00	ZE	ZC	ZB	ZA			F-50	7
30	STRIPE, L. FUEL TANK COVER	86642-K0E-D00	ZE	ZC	ZB	ZA			F-50	9
31	STRIPE, L. RR. COWL	86772-K0E-D00	ZE	ZC	ZB	ZA			F-50	11
32	STRIPE, R. FR. GARNISH	86613-K0E-D00	ZE	ZC	ZB	ZA			F-50	6
33	STRIPE, R. FUEL TANK COVER	86641-K0E-D00	ZE	ZC	ZB	ZA			F-50	8
34	STRIPE, R. RR. COWL	86771-K0E-D00	ZE	ZC	ZB	ZA			F-50	10
35	STRIPE, SHROUD GARNISH	86501-K0E-D00	ZA	ZA	ZA	ZA			F-50	5
36	STRIPE, WHEEL	86421-K0E-D20	ZD	ZB	ZC	ZA			F-50	13
37	VISOR SET, FR.	61300-K0E-D00	ZA	ZA	ZA	ZA			F-43	1
38	WHEEL SUB ASSY., FR.	44650-K0E-B00	ZD	ZB	ZC	ZA			F-14-40	16
39	WHEEL SUB ASSY., RR.	42650-K0E-D20	ZE	ZC	ZD	ZB			F-19-30	19





## CBF160FS (CBF160FSk).....BA

No.	MODEL		CBF160FSK				
	COLOR		Pearl spartan red R-382P	Applicable model		Applicable block No.	Ref. No.
	CODE			Initial applicable model	Final applicable model		
	Name of colored parts	Basic part No.	R382				
1	COVER ASSY. B, FUEL TANK CENTER	64440-K0E-D00	ZB			F-21-20	14
2	COVER ASSY., L. FUEL TANK	64425-K0E-D00	ZD			F-21-20	11
3	COVER ASSY., R. FUEL TANK	64415-K0E-D00	ZD			F-21-20	8
4	COVER, L. FR. FORK	61125-K0E-D20	ZA			F-11	31
5	COVER, R. FR. FORK	61115-K0E-D20	ZA			F-11	30
6	COWL SET, L. RR.	77280-K0E-D00	ZD			F-23-10	5
7	COWL SET, R. RR.	77270-K0E-D00	ZD			F-23-10	4
8	COWL, L. UNDER	64320-K0E-D20	ZA			F-45	4
9	COWL, R. UNDER	64310-K0E-D20	ZA			F-45	3
10	FENDER A, FR.	61111-K0E-D00	ZA			F-10	4
11	FENDER SET A, RR.	80110-K0E-D00	ZA			F-34	2
12	FLANGE SUB ASSY., FINAL DRIVEN	42615-K0E-D20	ZA			F-19-30	5
13	GARNISH SET, L. FR.	61316-K0E-D00	ZD			F-43	4
14	GARNISH SET, R. FR.	61306-K0E-D00	ZD			F-43	3
15	GRIP, L. RR.	50450-K0E-D00	ZA			F-23	2
16	GRIP, R. RR.	50400-K0E-D00	ZA			F-23	1
17	HOLDER, HANDLE UPPER	53131-K0E-D00	ZA			F-7	6
18	HOLDER, L. HANDLE LOWER	53142-K0E-D00	ZA			F-7	8
19	HOLDER, R. HANDLE LOWER	53132-K0E-D00	ZA			F-7	7
20	MARK, HET BS 4	86833-K43-900	ZA			F-50	12
21	MARK, HONDA	86101-K67-900	ZA			F-50	1
22	MARK, HONDA	86102-K43-900	ZA			F-50	2
23	MIRROR COMP., L.	88220-K38-941	ZA			F-3	3
24	MIRROR COMP., R.	88210-K38-941	ZA			F-3	2

CBF160FS (CBF160FSk).....BA

No.	MODEL		CBF160FSK				
	COLOR		Pearl spartan red R-382P	Applicable model		Applicable block No.	Ref. No.
	CODE			Initial applicable model	Final applicable model		
	Name of colored parts	Basic part No.	R382				
25	PANEL COMP., RR. BRAKE	43100-KYE-910	ZB			F-18	2
26	PIPE, STEERING HANDLE	53100-K0E-D00	ZA			F-7	5
27	SHROUD SET, L. GARNISH	50250-K0E-D00	ZF			F-21-20	2
28	SHROUD SET, R. GARNISH	50240-K0E-D00	ZF			F-21-20	1
29	STRIPE, L. FR. GARNISH	86614-K0E-D00	ZD			F-50	7
30	STRIPE, L. FUEL TANK COVER	86642-K0E-D00	ZD			F-50	9
31	STRIPE, L. RR. COWL	86772-K0E-D00	ZD			F-50	11
32	STRIPE, R. FR. GARNISH	86613-K0E-D00	ZD			F-50	6
33	STRIPE, R. FUEL TANK COVER	86641-K0E-D00	ZD			F-50	8
34	STRIPE, R. RR. COWL	86771-K0E-D00	ZD			F-50	10
35	STRIPE, SHROUD GARNISH	86501-K0E-D00	ZA			F-50	5
36	STRIPE, WHEEL	86421-K0E-D20	ZC			F-50	13
37	VISOR SET, FR.	61300-K0E-D00	ZA			F-43	1
38	WHEEL SUB ASSY., FR.	44650-K0E-B00	ZC			F-14-40	16
39	WHEEL SUB ASSY., RR.	42650-K0E-D20	ZD			F-19-30	19



## CBF160FS (CBF160FSk).....ID

No.	MODEL		CBF160FSK							Applicable block No.	Ref. No.
	COLOR		Mat frozen silver metallic	Mat marvel blue metallic	Pearl igneous black	Mat marshal green metallic	Applicable model				
	CODE		NH-C06M	B-227M	NH-B05P	GY-155M	Initial applicable model	Final applicable model			
	Name of colored parts	Basic part No.	NHC06	B227	NHB05	GY155					
1	COVER ASSY. B, FUEL TANK CENTER	64440-K0E-D00	ZB	ZB	ZA	ZB			F-21-20	14	
2	COVER ASSY., L. FUEL TANK	64425-K0E-D00	ZE	ZC	ZB	ZA			F-21-20	11	
3	COVER ASSY., R. FUEL TANK	64415-K0E-D00	ZE	ZC	ZB	ZA			F-21-20	8	
4	COVER, L. FR. FORK	61125-K0E-D20	ZA	ZA	ZA	ZA			F-11	31	
5	COVER, R. FR. FORK	61115-K0E-D20	ZA	ZA	ZA	ZA			F-11	30	
6	COWL SET, L. RR.	77280-K0E-D00	ZE	ZC	ZB	ZA			F-23-10	5	
7	COWL SET, R. RR.	77270-K0E-D00	ZE	ZC	ZB	ZA			F-23-10	4	
8	COWL, L. UNDER	64320-K0E-D20	ZA	ZA	ZA	ZA			F-45	4	
9	COWL, R. UNDER	64310-K0E-D20	ZA	ZA	ZA	ZA			F-45	3	
10	FENDER A, FR.	61111-K0E-D00	ZB	ZE	ZC	ZD			F-10	4	
11	FENDER SET A, RR.	80110-K0E-D00	ZA	ZA	ZA	ZA			F-34	2	
12	FENDER SET B, FR.	61112-K0E-D20	ZA	ZA	ZA	ZA			F-10	10	
13	FLANGE SUB ASSY., FINAL DRIVEN	42615-K0E-D20	ZA	ZA	ZA	ZA			F-19-30	5	
14	GARNISH SET, L. FR.	61316-K0E-D00	ZE	ZC	ZB	ZA			F-43	4	
15	GARNISH SET, R. FR.	61306-K0E-D00	ZE	ZC	ZB	ZA			F-43	3	
16	GRIP, L. RR.	50450-K0E-D00	ZA	ZA	ZA	ZA			F-23	2	
17	GRIP, R. RR.	50400-K0E-D00	ZA	ZA	ZA	ZA			F-23	1	
18	HOLDER, HANDLE UPPER	53131-K0E-D00	ZA	ZA	ZA	ZA			F-7	6	
19	HOLDER, L. HANDLE LOWER	53142-K0E-D00	ZA	ZA	ZA	ZA			F-7	8	
20	HOLDER, R. HANDLE LOWER	53132-K0E-D00	ZA	ZA	ZA	ZA			F-7	7	
21	MARK, ABS	86611-K0E-D20	ZA	ZA	ZA	ZA			F-50	14	
22	MARK, HET BS 4	86833-K43-900	ZA	ZA	ZA	ZA			F-50	12	
23	MARK, HONDA	86101-K67-900	ZA	ZA	ZA	ZA			F-50	1	
24	MARK, HONDA	86102-K43-900	ZA	ZA	ZA	ZA			F-50	2	

CBF160FS (CBF160FSk).....ID

No.	MODEL		CBF160FSK							Applicable block No.	Ref. No.
	COLOR		Mat frozen silver metallic	Mat marvel blue metallic	Pearl igneous black	Mat marshal green metallic	Applicable model				
	CODE		NH-C06M	B-227M	NH-B05P	GY-155M	Initial applicable model	Final applicable model			
	Name of colored parts	Basic part No.	NHC06	B227	NHB05	GY155					
25	MIRROR COMP., L.	88220-K38-941	ZA	ZA	ZA	ZA			F-3	3	
26	MIRROR COMP., R.	88210-K38-941	ZA	ZA	ZA	ZA			F-3	2	
27	PANEL COMP., RR. BRAKE	43100-KYE-910	ZB	ZB	ZB	ZB			F-18	2	
28	PIPE, STEERING HANDLE	53100-K0E-D00	ZA	ZA	ZA	ZA			F-7	5	
29	SHROUD SET, L. GARNISH	50250-K0E-D00	ZF	ZF	ZF	ZF			F-21-20	2	
30	SHROUD SET, R. GARNISH	50240-K0E-D00	ZF	ZF	ZF	ZF			F-21-20	1	
31	STRIPE, L. FR. GARNISH	86614-K0E-D00	ZE	ZC	ZB	ZA			F-50	7	
32	STRIPE, L. FUEL TANK COVER	86642-K0E-D00	ZE	ZC	ZB	ZA			F-50	9	
33	STRIPE, L. RR. COWL	86772-K0E-D00	ZE	ZC	ZB	ZA			F-50	11	
34	STRIPE, R. FR. GARNISH	86613-K0E-D00	ZE	ZC	ZB	ZA			F-50	6	
35	STRIPE, R. FUEL TANK COVER	86641-K0E-D00	ZE	ZC	ZB	ZA			F-50	8	
36	STRIPE, R. RR. COWL	86771-K0E-D00	ZE	ZC	ZB	ZA			F-50	10	
37	STRIPE, SHROUD GARNISH	86501-K0E-D00	ZA	ZA	ZA	ZA			F-50	5	
38	STRIPE, WHEEL	86421-K0E-D20	ZD	ZB	ZC	ZA			F-50	13	
39	VISOR SET, FR.	61300-K0E-D00	ZA	ZA	ZA	ZA			F-43	1	
40	WHEEL SUB ASSY., FR.	44650-K0E-D20	ZF	ZD	ZE	ZC			F-14-40	16	
41	WHEEL SUB ASSY., RR.	42650-K0E-D20	ZE	ZC	ZD	ZB			F-19-30	19	



## CBF160FS (CBF160FSk).....ID

No.	MODEL		CBF160FSK				
	COLOR		Pearl spartan red R-382P	Applicable model		Applicable block No.	Ref. No.
	CODE			R382	Initial applicable model		
	Name of colored parts	Basic part No.					
1	COVER ASSY. B, FUEL TANK CENTER	64440-K0E-D00	ZB			F-21-20	14
2	COVER ASSY., L. FUEL TANK	64425-K0E-D00	ZD			F-21-20	11
3	COVER ASSY., R. FUEL TANK	64415-K0E-D00	ZD			F-21-20	8
4	COVER, L. FR. FORK	61125-K0E-D20	ZA			F-11	31
5	COVER, R. FR. FORK	61115-K0E-D20	ZA			F-11	30
6	COWL SET, L. RR.	77280-K0E-D00	ZD			F-23-10	5
7	COWL SET, R. RR.	77270-K0E-D00	ZD			F-23-10	4
8	COWL, L. UNDER	64320-K0E-D20	ZA			F-45	4
9	COWL, R. UNDER	64310-K0E-D20	ZA			F-45	3
10	FENDER A, FR.	61111-K0E-D00	ZA			F-10	4
11	FENDER SET A, RR.	80110-K0E-D00	ZA			F-34	2
12	FENDER SET B, FR.	61112-K0E-D20	ZA			F-10	10
13	FLANGE SUB ASSY., FINAL DRIVEN	42615-K0E-D20	ZA			F-19-30	5
14	GARNISH SET, L. FR.	61316-K0E-D00	ZD			F-43	4
15	GARNISH SET, R. FR.	61306-K0E-D00	ZD			F-43	3
16	GRIP, L. RR.	50450-K0E-D00	ZA			F-23	2
17	GRIP, R. RR.	50400-K0E-D00	ZA			F-23	1
18	HOLDER, HANDLE UPPER	53131-K0E-D00	ZA			F-7	6
19	HOLDER, L. HANDLE LOWER	53142-K0E-D00	ZA			F-7	8
20	HOLDER, R. HANDLE LOWER	53132-K0E-D00	ZA			F-7	7
21	MARK, ABS	86611-K0E-D20	ZA			F-50	14
22	MARK, HET BS 4	86833-K43-900	ZA			F-50	12
23	MARK, HONDA	86101-K67-900	ZA			F-50	1
24	MARK, HONDA	86102-K43-900	ZA			F-50	2

CBF160FS (CBF160FSk).....ID

No.	MODEL		CBF160FSK				
	COLOR		Pearl spartan red R-382P	Applicable model		Applicable block No.	Ref. No.
	CODE			Initial applicable model	Final applicable model		
	Name of colored parts	Basic part No.	R382				
25	MIRROR COMP., L.	88220-K38-941	ZA			F-3	3
26	MIRROR COMP., R.	88210-K38-941	ZA			F-3	2
27	PANEL COMP., RR. BRAKE	43100-KYE-910	ZB			F-18	2
28	PIPE, STEERING HANDLE	53100-K0E-D00	ZA			F-7	5
29	SHROUD SET, L. GARNISH	50250-K0E-D00	ZF			F-21-20	2
30	SHROUD SET, R. GARNISH	50240-K0E-D00	ZF			F-21-20	1
31	STRIPE, L. FR. GARNISH	86614-K0E-D00	ZD			F-50	7
32	STRIPE, L. FUEL TANK COVER	86642-K0E-D00	ZD			F-50	9
33	STRIPE, L. RR. COWL	86772-K0E-D00	ZD			F-50	11
34	STRIPE, R. FR. GARNISH	86613-K0E-D00	ZD			F-50	6
35	STRIPE, R. FUEL TANK COVER	86641-K0E-D00	ZD			F-50	8
36	STRIPE, R. RR. COWL	86771-K0E-D00	ZD			F-50	10
37	STRIPE, SHROUD GARNISH	86501-K0E-D00	ZA			F-50	5
38	STRIPE, WHEEL	86421-K0E-D20	ZC			F-50	13
39	VISOR SET, FR.	61300-K0E-D00	ZA			F-43	1
40	WHEEL SUB ASSY., FR.	44650-K0E-D20	ZE			F-14-40	16
41	WHEEL SUB ASSY., RR.	42650-K0E-D20	ZD			F-19-30	19



## CBF160FS (CBF160FSM).....31D

No.	MODEL		CBF160FSM							
	COLOR		Mat axis gray metallic NH-303M	Mat marvel blue metallic B-227M	Pearl igneous black NH-B05P	Mat marshal green metallic 2 GY-156M	Applicable model		Applicable block No.	Ref. No.
	CODE						Initial applicable model	Final applicable model		
	Name of colored parts	Basic part No.	NH303	B227	NHB05	GY156				
1	COVER ASSY. B, FUEL TANK CENTER	64440-K0E-D00	ZE	ZB	ZC	ZF			F-21-20	14
2	COVER ASSY., L. FUEL TANK	64425-K0E-D50	ZF	ZD	ZC	ZB			F-21-20	11
3	COVER ASSY., R. FUEL TANK	64415-K0E-D50	ZF	ZD	ZC	ZB			F-21-20	8
4	COVER, L. FR. FORK	61125-K0E-D20	ZA	ZA	ZA	ZA			F-11	31
5	COVER, R. FR. FORK	61115-K0E-D20	ZA	ZA	ZA	ZA			F-11	30
6	COWL SET, R. RR.	77270-K0E-D50	ZB	ZB	ZB	ZB			F-23-10	4
7	COWL, L. RR.	77281-K0E-D00	ZA	ZA	ZA	ZA			F-23-10	5
8	COWL, L. UNDER	64312-K0E-D50	ZA	ZA	ZA	ZA			F-45-1	4
9	COWL, R. UNDER	64311-K0E-D50	ZA	ZA	ZA	ZA			F-45-1	3
10	FENDER A, FR.	61111-K0E-D00	ZH	ZE	ZC	ZJ			F-10	4
11	FENDER SET A, RR.	80110-K0E-D00	ZA	ZA	ZA	ZA			F-34	2
12	FENDER SET B, FR.	61112-K0E-D20	ZA	ZA	ZA	ZA			F-10	10
13	FLANGE SUB ASSY., FINAL DRIVEN	42615-K0E-D20	ZA	ZA	ZA	ZA			F-19-40	16
14	GARNISH, L. FR.	61315-K0E-D00	ZH	ZA	ZC	ZJ			F-43	4
15	GARNISH, R. FR.	61305-K0E-D00	ZH	ZA	ZC	ZJ			F-43	3
16	GRIP, L. RR.	50450-K0E-D50	ZD	ZE	ZB	ZE			F-23	2
17	GRIP, R. RR.	50400-K0E-D50	ZD	ZE	ZB	ZE			F-23	1
18	HOLDER, HANDLE UPPER	53131-K0E-D00	ZA	ZA	ZA	ZA			F-7	6
19	HOLDER, L. HANDLE LOWER	53142-K0E-D00	ZA	ZA	ZA	ZA			F-7	8
20	HOLDER, R. HANDLE LOWER	53132-K0E-D00	ZA	ZA	ZA	ZA			F-7	7
21	MARK	86833-K0L-D00	ZA	ZA	ZA	ZA			F-50	24
22	MARK, ABS	86611-K0E-D20	ZA	ZA	ZA	ZA			F-50	14
23	MARK, HONDA	86101-K67-900	ZA	ZA	ZA	ZA			F-50	1
24	MARK, HONDA	86102-K43-900	ZA	ZA	ZA	ZA			F-50	2

CBF160FS (CBF160FSM).....31D

No.	MODEL		CBF160FSM							
	COLOR		Mat axis gray metallic NH-303M	Mat marvel blue metallic B-227M	Pearl igneous black NH-B05P	Mat marshal green metallic 2 GY-156M	Applicable model		Applicable block No.	Ref. No.
	CODE		NH303	B227	NHB05	GY156	Initial applicable model	Final applicable model		
	Name of colored parts	Basic part No.								
25	MIRROR COMP., L.	88220-K38-941	ZA	ZA	ZA	ZA			F-3	3
26	MIRROR COMP., R.	88210-K38-941	ZA	ZA	ZA	ZA			F-3	2
27	PIPE, STEERING HANDLE	53100-K0E-D00	ZA	ZA	ZA	ZA			F-7	5
28	SHROUD SET, L. GARNISH	50250-K0E-D50	ZF	ZD	ZC	ZB			F-21-20	2
29	SHROUD SET, R. GARNISH	50240-K0E-D50	ZF	ZD	ZC	ZB			F-21-20	1
30	STRIPE A, L. SHROUD GARNISH	86504-K0E-D50	ZF	ZD	ZC	ZB			F-50	17
31	STRIPE A, R. SHROUD GARNISH	86503-K0E-D50	ZF	ZD	ZC	ZB			F-50	16
32	STRIPE B, L. SHROUD GARNISH	86506-K0E-D50	ZF	ZD	ZC	ZB			F-50	19
33	STRIPE B, R. SHROUD GARNISH	86505-K0E-D50	ZF	ZD	ZC	ZB			F-50	18
34	STRIPE C, L. SHROUD GARNISH	86508-K0E-D50	ZF	ZD	ZC	ZB			F-50	21
35	STRIPE C, R. SHROUD GARNISH	86507-K0E-D50	ZF	ZD	ZC	ZB			F-50	20
36	STRIPE, L. FUEL TANK COVER	86642-K0E-D50	ZF	ZD	ZC	ZB			F-50	23
37	STRIPE, R. FUEL TANK COVER	86641-K0E-D50	ZF	ZD	ZC	ZB			F-50	22
38	STRIPE, WHEEL	86421-K0E-D50	ZE	ZD	ZC	ZB			F-50	13
39	VISOR SET, FR.	61300-K0E-D00	ZA	ZA	ZA	ZA			F-43	1
40	WHEEL SUB ASSY., FR.	44650-K0E-D50	ZE	ZD	ZC	ZB			F-14-40	16
41	WHEEL SUB ASSY., RR.	42650-K0E-D70	ZE	ZD	ZC	ZB			F-19-40	9





## CBF160FS (CBF160FSM).....31D

No.	MODEL		CBF160FSM					
	COLOR		Pearl spartan red 2 R-392P	Mat marmalade orange metallic YR-371M	Applicable model		Applicable block No.	Ref. No.
	CODE				Initial applicable model	Final applicable model		
	Name of colored parts	Basic part No.	R392	YR371				
1	COVER ASSY. B, FUEL TANK CENTER	64440-K0E-D00	ZB	ZB			F-21-20	14
2	COVER ASSY., L. FUEL TANK	64425-K0E-D50	ZE	ZA			F-21-20	11
3	COVER ASSY., R. FUEL TANK	64415-K0E-D50	ZE	ZA			F-21-20	8
4	COVER, L. FR. FORK	61125-K0E-D20	ZA	ZA			F-11	31
5	COVER, R. FR. FORK	61115-K0E-D20	ZA	ZA			F-11	30
6	COWL SET, R. RR.	77270-K0E-D50	ZB	ZB			F-23-10	4
7	COWL, L. RR.	77281-K0E-D00	ZA	ZA			F-23-10	5
8	COWL, L. UNDER	64312-K0E-D50	ZA	ZA			F-45-1	4
9	COWL, R. UNDER	64311-K0E-D50	ZA	ZA			F-45-1	3
10	FENDER A, FR.	61111-K0E-D00	ZG	ZF			F-10	4
11	FENDER SET A, RR.	80110-K0E-D00	ZA	ZA			F-34	2
12	FENDER SET B, FR.	61112-K0E-D20	ZA	ZA			F-10	10
13	FLANGE SUB ASSY., FINAL DRIVEN	42615-K0E-D20	ZA	ZA			F-19-40	16
14	GARNISH, L. FR.	61315-K0E-D00	ZG	ZF			F-43	4
15	GARNISH, R. FR.	61305-K0E-D00	ZG	ZF			F-43	3
16	GRIP, L. RR.	50450-K0E-D50	ZE	ZA			F-23	2
17	GRIP, R. RR.	50400-K0E-D50	ZE	ZA			F-23	1
18	HOLDER, HANDLE UPPER	53131-K0E-D00	ZA	ZA			F-7	6
19	HOLDER, L. HANDLE LOWER	53142-K0E-D00	ZA	ZA			F-7	8
20	HOLDER, R. HANDLE LOWER	53132-K0E-D00	ZA	ZA			F-7	7
21	MARK	86833-K0L-D00	ZA	ZA			F-50	24
22	MARK, ABS	86611-K0E-D20	ZA	ZA			F-50	14
23	MARK, HONDA	86101-K67-900	ZA	ZA			F-50	1
24	MARK, HONDA	86102-K43-900	ZA	ZA			F-50	2

CBF160FS (CBF160FSM).....31D

No.	MODEL		CBF160FSM					
	COLOR		Pearl spartan red 2 R-392P	Mat marmalade orange metallic YR-371M	Applicable model		Applicable block No.	Ref. No.
	CODE				Initial applicable model	Final applicable model		
	Name of colored parts	Basic part No.	R392	YR371				
25	MIRROR COMP., L.	88220-K38-941	ZA	ZA			F-3	3
26	MIRROR COMP., R.	88210-K38-941	ZA	ZA			F-3	2
27	PIPE, STEERING HANDLE	53100-K0E-D00	ZA	ZA			F-7	5
28	SHROUD SET, L. GARNISH	50250-K0E-D50	ZE	ZA			F-21-20	2
29	SHROUD SET, R. GARNISH	50240-K0E-D50	ZE	ZA			F-21-20	1
30	STRIPE A, L. SHROUD GARNISH	86504-K0E-D50	ZE	ZA			F-50	17
31	STRIPE A, R. SHROUD GARNISH	86503-K0E-D50	ZE	ZA			F-50	16
32	STRIPE B, L. SHROUD GARNISH	86506-K0E-D50	ZE	ZA			F-50	19
33	STRIPE B, R. SHROUD GARNISH	86505-K0E-D50	ZE	ZA			F-50	18
34	STRIPE C, L. SHROUD GARNISH	86508-K0E-D50	ZE	ZA			F-50	21
35	STRIPE C, R. SHROUD GARNISH	86507-K0E-D50	ZE	ZA			F-50	20
36	STRIPE, L. FUEL TANK COVER	86642-K0E-D50	ZE	ZA			F-50	23
37	STRIPE, R. FUEL TANK COVER	86641-K0E-D50	ZE	ZA			F-50	22
38	STRIPE, WHEEL	86421-K0E-D50	ZE	ZA			F-50	13
39	VISOR SET, FR.	61300-K0E-D00	ZA	ZA			F-43	1
40	WHEEL SUB ASSY., FR.	44650-K0E-D50	ZE	ZA			F-14-40	16
41	WHEEL SUB ASSY., RR.	42650-K0E-D70	ZE	ZA			F-19-40	9

## CBF160FS (CBF160FSM).....ID

No.	MODEL		CBF160FSM							
	COLOR		Mat axis gray metallic NH-303M	Mat marvel blue metallic B-227M	Pearl igneous black NH-B05P	Mat marshal green metallic 2 GY-156M	Applicable model		Applicable block No.	Ref. No.
	CODE						Initial applicable model	Final applicable model		
	Name of colored parts	Basic part No.	NH303	B227	NHB05	GY156				
1	COVER ASSY. B, FUEL TANK CENTER	64440-K0E-D00	ZE	ZB	ZC	ZF			F-21-20	14
2	COVER ASSY., L. FUEL TANK	64425-K0E-D50	ZF	ZD	ZC	ZB			F-21-20	11
3	COVER ASSY., R. FUEL TANK	64415-K0E-D50	ZF	ZD	ZC	ZB			F-21-20	8
4	COVER, L. FR. FORK	61125-K0E-D20	ZA	ZA	ZA	ZA			F-11	31
5	COVER, R. FR. FORK	61115-K0E-D20	ZA	ZA	ZA	ZA			F-11	30
6	COWL SET, R. RR.	77270-K0E-D50	ZB	ZB	ZB	ZB			F-23-10	4
7	COWL, L. RR.	77281-K0E-D00	ZA	ZA	ZA	ZA			F-23-10	5
8	COWL, L. UNDER	64312-K0E-D50	ZA	ZA	ZA	ZA			F-45-1	4
9	COWL, R. UNDER	64311-K0E-D50	ZA	ZA	ZA	ZA			F-45-1	3
10	FENDER A, FR.	61111-K0E-D00	ZH	ZE	ZC	ZJ			F-10	4
11	FENDER SET A, RR.	80110-K0E-D00	ZA	ZA	ZA	ZA			F-34	2
12	FENDER SET B, FR.	61112-K0E-D20	ZA	ZA	ZA	ZA			F-10	10
13	FLANGE SUB ASSY., FINAL DRIVEN	42615-K0E-D20	ZA	ZA	ZA	ZA			F-19-30	5
14	GARNISH, L. FR.	61315-K0E-D00	ZH	ZA	ZC	ZJ			F-43	4
15	GARNISH, R. FR.	61305-K0E-D00	ZH	ZA	ZC	ZJ			F-43	3
16	GRIP, L. RR.	50450-K0E-D50	ZD	ZE	ZB	ZE			F-23	2
17	GRIP, R. RR.	50400-K0E-D50	ZD	ZE	ZB	ZE			F-23	1
18	HOLDER, HANDLE UPPER	53131-K0E-D00	ZA	ZA	ZA	ZA			F-7	6
19	HOLDER, L. HANDLE LOWER	53142-K0E-D00	ZA	ZA	ZA	ZA			F-7	8
20	HOLDER, R. HANDLE LOWER	53132-K0E-D00	ZA	ZA	ZA	ZA			F-7	7
21	MARK	86833-K0L-D00	ZA	ZA	ZA	ZA			F-50	24
22	MARK, ABS	86611-K0E-D20	ZA	ZA	ZA	ZA			F-50	14
23	MARK, HONDA	86101-K67-900	ZA	ZA	ZA	ZA			F-50	1
24	MARK, HONDA	86102-K43-900	ZA	ZA	ZA	ZA			F-50	2

CBF160FS (CBF160FSM).....ID

No.	MODEL		CBF160FSM							
	COLOR		Mat axis gray metallic NH-303M	Mat marvel blue metallic B-227M	Pearl igneous black NH-B05P	Mat marshal green metallic 2 GY-156M	Applicable model		Applicable block No.	Ref. No.
	CODE						Initial applicable model	Final applicable model		
	Name of colored parts	Basic part No.	NH303	B227	NHB05	GY156				
25	MIRROR COMP., L.	88220-K38-941	ZA	ZA	ZA	ZA			F-3	3
26	MIRROR COMP., R.	88210-K38-941	ZA	ZA	ZA	ZA			F-3	2
27	PANEL COMP., RR. BRAKE	43100-KYE-910	ZB	ZB	ZB	ZB			F-18	2
28	PIPE, STEERING HANDLE	53100-K0E-D00	ZA	ZA	ZA	ZA			F-7	5
29	SHROUD SET, L. GARNISH	50250-K0E-D50	ZF	ZD	ZC	ZB			F-21-20	2
30	SHROUD SET, R. GARNISH	50240-K0E-D50	ZF	ZD	ZC	ZB			F-21-20	1
31	STRIPE A, L. SHROUD GARNISH	86504-K0E-D50	ZF	ZD	ZC	ZB			F-50	17
32	STRIPE A, R. SHROUD GARNISH	86503-K0E-D50	ZF	ZD	ZC	ZB			F-50	16
33	STRIPE B, L. SHROUD GARNISH	86506-K0E-D50	ZF	ZD	ZC	ZB			F-50	19
34	STRIPE B, R. SHROUD GARNISH	86505-K0E-D50	ZF	ZD	ZC	ZB			F-50	18
35	STRIPE C, L. SHROUD GARNISH	86508-K0E-D50	ZF	ZD	ZC	ZB			F-50	21
36	STRIPE C, R. SHROUD GARNISH	86507-K0E-D50	ZF	ZD	ZC	ZB			F-50	20
37	STRIPE, L. FUEL TANK COVER	86642-K0E-D50	ZF	ZD	ZC	ZB			F-50	23
38	STRIPE, R. FUEL TANK COVER	86641-K0E-D50	ZF	ZD	ZC	ZB			F-50	22
39	STRIPE, WHEEL	86421-K0E-D50	ZE	ZD	ZC	ZB			F-50	13
40	VISOR SET, FR.	61300-K0E-D00	ZA	ZA	ZA	ZA			F-43	1
41	WHEEL SUB ASSY., FR.	44650-K0E-D50	ZE	ZD	ZC	ZB			F-14-40	16
42	WHEEL SUB ASSY., RR.	42650-K0E-D50	ZE	ZD	ZC	ZB			F-19-30	19



## CBF160FS (CBF160FSM).....ID

No.	MODEL		CBF160FSM					
	COLOR		Pearl spartan red 2 R-392P	Mat marmalade orange metallic YR-371M	Applicable model		Applicable block No.	Ref. No.
	CODE				Initial applicable model	Final applicable model		
	Name of colored parts	Basic part No.	R392	YR371				
1	COVER ASSY. B, FUEL TANK CENTER	64440-K0E-D00	ZB	ZB			F-21-20	14
2	COVER ASSY., L. FUEL TANK	64425-K0E-D50	ZE	ZA			F-21-20	11
3	COVER ASSY., R. FUEL TANK	64415-K0E-D50	ZE	ZA			F-21-20	8
4	COVER, L. FR. FORK	61125-K0E-D20	ZA	ZA			F-11	31
5	COVER, R. FR. FORK	61115-K0E-D20	ZA	ZA			F-11	30
6	COWL SET, R. RR.	77270-K0E-D50	ZB	ZB			F-23-10	4
7	COWL, L. RR.	77281-K0E-D00	ZA	ZA			F-23-10	5
8	COWL, L. UNDER	64312-K0E-D50	ZA	ZA			F-45-1	4
9	COWL, R. UNDER	64311-K0E-D50	ZA	ZA			F-45-1	3
10	FENDER A, FR.	61111-K0E-D00	ZG	ZF			F-10	4
11	FENDER SET A, RR.	80110-K0E-D00	ZA	ZA			F-34	2
12	FENDER SET B, FR.	61112-K0E-D20	ZA	ZA			F-10	10
13	FLANGE SUB ASSY., FINAL DRIVEN	42615-K0E-D20	ZA	ZA			F-19-30	5
14	GARNISH, L. FR.	61315-K0E-D00	ZG	ZF			F-43	4
15	GARNISH, R. FR.	61305-K0E-D00	ZG	ZF			F-43	3
16	GRIP, L. RR.	50450-K0E-D50	ZE	ZA			F-23	2
17	GRIP, R. RR.	50400-K0E-D50	ZE	ZA			F-23	1
18	HOLDER, HANDLE UPPER	53131-K0E-D00	ZA	ZA			F-7	6
19	HOLDER, L. HANDLE LOWER	53142-K0E-D00	ZA	ZA			F-7	8
20	HOLDER, R. HANDLE LOWER	53132-K0E-D00	ZA	ZA			F-7	7
21	MARK	86833-K0L-D00	ZA	ZA			F-50	24
22	MARK, ABS	86611-K0E-D20	ZA	ZA			F-50	14
23	MARK, HONDA	86101-K67-900	ZA	ZA			F-50	1
24	MARK, HONDA	86102-K43-900	ZA	ZA			F-50	2

CBF160FS (CBF160FSM).....ID

No.	MODEL		CBF160FSM					
	COLOR		Pearl spartan red 2 R-392P	Mat marmalade orange metallic YR-371M	Applicable model		Applicable block No.	Ref. No.
	CODE				Initial applicable model	Final applicable model		
	Name of colored parts	Basic part No.	R392	YR371				
25	MIRROR COMP., L.	88220-K38-941	ZA	ZA			F-3	3
26	MIRROR COMP., R.	88210-K38-941	ZA	ZA			F-3	2
27	PANEL COMP., RR. BRAKE	43100-KYE-910	ZB	ZB			F-18	2
28	PIPE, STEERING HANDLE	53100-K0E-D00	ZA	ZA			F-7	5
29	SHROUD SET, L. GARNISH	50250-K0E-D50	ZE	ZA			F-21-20	2
30	SHROUD SET, R. GARNISH	50240-K0E-D50	ZE	ZA			F-21-20	1
31	STRIPE A, L. SHROUD GARNISH	86504-K0E-D50	ZE	ZA			F-50	17
32	STRIPE A, R. SHROUD GARNISH	86503-K0E-D50	ZE	ZA			F-50	16
33	STRIPE B, L. SHROUD GARNISH	86506-K0E-D50	ZE	ZA			F-50	19
34	STRIPE B, R. SHROUD GARNISH	86505-K0E-D50	ZE	ZA			F-50	18
35	STRIPE C, L. SHROUD GARNISH	86508-K0E-D50	ZE	ZA			F-50	21
36	STRIPE C, R. SHROUD GARNISH	86507-K0E-D50	ZE	ZA			F-50	20
37	STRIPE, L. FUEL TANK COVER	86642-K0E-D50	ZE	ZA			F-50	23
38	STRIPE, R. FUEL TANK COVER	86641-K0E-D50	ZE	ZA			F-50	22
39	STRIPE, WHEEL	86421-K0E-D50	ZE	ZA			F-50	13
40	VISOR SET, FR.	61300-K0E-D00	ZA	ZA			F-43	1
41	WHEEL SUB ASSY., FR.	44650-K0E-D50	ZE	ZA			F-14-40	16
42	WHEEL SUB ASSY., RR.	42650-K0E-D50	ZE	ZA			F-19-30	19



## Fuel hose, general purpose hoses and vinyl hose

- The standard part fuel hose, general purpose hose and vinyl hose may be substituted by the coiled bulk part.
- When ordering the standard part fuel hose, general purpose hose and vinyl hose use the bulk part number written in the parts catalogue in brackets ( ) underneath the part name, or use the catalogue below.  
(The bulk part standard length is 1 m, however, those displayed in the catalogue < > are available in 3 m and 8 m lengths.)
- When exchanging the hose, cut and use at the specified length as mentioned in the part name.  
(For the method of cutting the bulk part, and method of filling out orders etc., please refer to the service manual and the instructions issued with the bulk part.)
- The list below is a catalogue of the standard part numbers and bulk part numbers. Note that those numbers are applicable to the listed replacement parts only.

Fuel hoses/Tubes			
Standard part No.	Bulk part No.	Bulk part	
		Inner diameter (mm)	Length (m)
95001-30xxx-2x	95001-30001-20M	3.0	1
95001-30xxx-3x	95001-30001-30M	3.0	1
95001-30xxx-4x	95001-30001-40M	3.0	1
95001-35xxx-2x	95001-35001-50M <95001-35003-50M>	3.5	1 3
95001-35xxx-3x	95001-35001-60M <95001-35003-60M>	3.5	1 3
95001-35xxx-4x	95001-35001-60M <95001-35003-60M>	3.5	1 3
95001-35xxx-5x	95001-35001-50M <95001-35003-50M>	3.5	1 3
95001-35xxx-6x	95001-35001-60M <95001-35003-60M>	3.5	1 3
95001-45xxx-2x	95001-45001-50M <95001-45003-50M>	4.5	1 3
95001-45xxx-3x	95001-45001-60M <95001-45003-60M> <95001-45008-60M>	4.5	1 3 8
95001-45xxx-4x	95001-45001-60M <95001-45003-60M> <95001-45008-60M>	4.5	1 3 8
95001-45xxx-5x	95001-45001-50M <95001-45003-50M>	4.5	1 3
95001-45xxx-6x	95001-45001-60M <95001-45003-60M> <95001-45008-60M>	4.5	1 3 8
95001-55xxx-2x	95001-55001-50M <95001-55003-50M> <95001-55008-50M>	5.5	1 3 8

Fuel hoses/Tubes			
Standard part No.	Bulk part No.	Bulk part	
		Inner diameter (mm)	Length (m)
95001-55xxx-3x	95001-55001-60M <95001-55003-60M> <95001-55008-60M>	5.5	1 3 8
95001-55xxx-4x	95001-55001-60M <95001-55003-60M> <95001-55008-60M>	5.5	1 3 8
95001-55xxx-5x	95001-55001-50M <95001-55003-50M> <95001-55008-50M>	5.5	1 3 8
95001-55xxx-6x	95001-55001-60M <95001-55003-60M> <95001-55008-60M>	5.5	1 3 8
95001-75xxx-2x	95001-75001-50M <95001-75003-50M>	7.5	1 3
95001-75xxx-3x	95001-75001-60M <95001-75003-60M> <95001-75008-60M>	7.5	1 3 8
95001-75xxx-4x	95001-75001-60M <95001-75003-60M> <95001-75008-60M>	7.5	1 3 8
95001-75xxx-5x	95001-75001-50M <95001-75003-50M>	7.5	1 3
95001-75xxx-6x	95001-75001-60M <95001-75003-60M> <95001-75008-60M>	7.5	1 3 8
95001-80xxx-2x	95001-80001-50M	8.0	1
95001-80xxx-3x	95001-80001-60M	8.0	1
95001-80xxx-4x	95001-80001-60M	8.0	1
95001-80xxx-5x	95001-80001-50M	8.0	1
95001-80xxx-6x	95001-80001-60M	8.0	1

Vinyl tube				
Standard part No.	Bulk part No.	Bulk part		
		Inner dia- meter (mm)	Outer dia-meter (mm)	Length (m)
95003-01xxx-3x	95003-01001-60M <95003-01003-60M>	2.9	6.8	1 3
95003-01xxx-60	95003-01001-60M <95003-01003-60M>	2.9	6.8	1 3
95003-03xxx-3x	95003-03001-60M <95003-03003-60M>	3.0	6.0	1 3
95003-03xxx-60	95003-03001-60M <95003-03003-60M>	3.0	6.0	1 3
95003-05xxx-3x	95003-05001-60M <95003-05003-60M> <95003-05008-60M>	3.5	6.5	1 3 8
95003-05xxx-60	95003-05001-60M <95003-05003-60M> <95003-05008-60M>	3.5	6.5	1 3 8
95003-07xxx-1x	95003-07001-10M <95003-07003-10M> <95003-07008-10M>	4.0	7.0	1 3 8
95003-07xxx-20	95003-07001-10M <95003-07003-10M> <95003-07008-10M>	4.0	7.0	1 3 8
95003-07xxx-3x	95003-07001-60M <95003-07003-60M> <95003-07008-60M>	4.0	7.0	1 3 8
95003-07xxx-60	95003-07001-60M <95003-07003-60M> <95003-07008-60M>	4.0	7.0	1 3 8
95003-07xxx-7x	95003-07001-70M <95003-07003-70M> <95003-07008-70M>	4.0	7.0	1 3 8
95003-08xxx-1x	95003-08001-10M <95003-08003-10M> <95003-08008-10M>	4.5	6.5	1 3 8
95003-09xxx-3x	95003-09001-60M <95003-09003-60M>	4.5	8.0	1 3
95003-09xxx-60	95003-09001-60M <95003-09003-60M>	4.5	8.0	1 3
95003-10xxx-1x	95003-10001-10M <95003-10003-10M>	5.0	8.0	1 3
95003-10xxx-20	95003-10001-10M <95003-10003-10M>	5.0	8.0	1 3
95003-10xxx-3x	95003-10001-60M <95003-10003-60M>	5.0	8.0	1 3
95003-10xxx-60	95003-10001-60M <95003-10003-60M>	5.0	8.0	1 3
95003-11xxx-3x	95003-11001-60M <95003-11003-60M> <95003-11008-60M>	5.0	9.0	1 3 8
95003-11xxx-60	95003-11001-60M <95003-11003-60M> <95003-11008-60M>	5.0	9.0	1 3 8
95003-12xxx-1x	95003-12001-10M <95003-12003-10M> <95003-12008-10M>	5.0	7.0	1 3 8
95003-12xxx-20	95003-12001-10M <95003-12003-10M> <95003-12008-10M>	5.0	7.0	1 3 8

Vinyl tube				
Standard part No.	Bulk part No.	Bulk part		
		Inner dia- meter (mm)	Outer dia-meter (mm)	Length (m)
95003-14xxx-1x	95003-14001-10M <95003-14003-10M>	6.0	9.0	1 3
95003-14xxx-20	95003-14001-10M <95003-14003-10M>	6.0	9.0	1 3
95003-14xxx-3x	95003-14001-60M <95003-14003-60M>	6.0	9.0	1 3
95003-17xxx-1x	95003-17001-10M <95003-17003-10M>	7.0	9.0	1 3
95003-19xxx-1x	95003-19001-10M <95003-19003-10M> <95003-19008-10M>	7.0	11.0	1 3 8
95003-19xxx-20	95003-19001-10M <95003-19003-10M> <95003-19008-10M>	7.0	11.0	1 3 8
95003-19xxx-3x	95003-19001-60M <95003-19003-60M> <95003-19008-60M>	7.0	11.0	1 3 8
95003-19xxx-60	95003-19001-60M <95003-19003-60M> <95003-19008-60M>	7.0	11.0	1 3 8
95003-21xxx-1x	95003-21001-10M <95003-21003-10M>	8.0	9.0	1 3
95003-21xxx-20	95003-21001-10M <95003-21003-10M>	8.0	9.0	1 3
95003-23xxx-1x	95003-23001-10M <95003-23003-10M>	8.0	12.0	1 3
95003-23xxx-20	95003-23001-10M <95003-23003-10M>	8.0	12.0	1 3
95003-23xxx-3x	95003-23001-60M <95003-23003-60M> <95003-23008-60M>	8.0	12.0	1 3 8
95003-23xxx-60	95003-23001-60M <95003-23003-60M> <95003-23008-60M>	8.0	12.0	1 3 8
95003-25xxx-1x	95003-25001-10M <95003-25003-10M>	9.0	11.0	1 3
95003-25xxx-20	95003-25001-10M <95003-25003-10M>	9.0	11.0	1 3
95003-25xxx-3x	95003-25001-60M <95003-25003-60M>	9.0	11.0	1 3
95003-25xxx-7x	95003-25001-70M <95003-25003-70M>	9.0	11.0	1 3
95003-27xxx-1x	95003-27001-10M <95003-27003-10M>	9.0	13.0	1 3
95003-27xxx-20	95003-27001-10M <95003-27003-10M>	9.0	13.0	1 3
95003-27xxx-3x	95003-27001-60M <95003-27003-60M>	9.0	13.0	1 3
95003-27xxx-60	95003-27001-60M <95003-27003-60M>	9.0	13.0	1 3
95003-33xxx-1x	95003-33001-10M <95003-33003-10M>	10.0	14.0	1 3
95003-33xxx-20	95003-33001-10M <95003-33003-10M>	10.0	14.0	1 3

Vinyl tube				
Standard part No.	Bulk part No.	Bulk part		
		Inner dia- meter (mm)	Outer dia-meter (mm)	Length (m)
95003-36xxx-1x	95003-36001-10M <95003-36003-10M> <95003-36008-10M>	11.0	13.0	1 3 8
95003-36xxx-20	95003-36001-10M <95003-36003-10M> <95003-36008-10M>	11.0	13.0	1 3 8
95003-37xxx-3x	95003-37001-60M <95003-37003-60M>	11.0	15.0	1 3
95003-37xxx-60	95003-37001-60M <95003-37003-60M>	11.0	15.0	1 3
95003-38xxx-1x	95003-38001-10M <95003-38003-10M>	12.0	13.0	1 3
95003-38xxx-20	95003-38001-10M <95003-38003-10M>	12.0	13.0	1 3
95003-39xxx-1x	95003-39001-10M <95003-39003-10M>	12.0	14.0	1 3
95003-39xxx-20	95003-39001-10M <95003-39003-10M>	12.0	14.0	1 3
95003-40xxx-20	95003-40001-10M <95003-40003-10M>	12.0	16.0	1 3
95003-40xxx-3x	95003-40001-60M <95003-40003-60M>	12.0	16.0	1 3
95003-40xxx-60	95003-40001-60M <95003-40003-60M>	12.0	16.0	1 3
95003-43xxx-1x	95003-43001-10M <95003-43003-10M> <95003-43008-10M>	13.0	15.0	1 3 8
95003-43xxx-20	95003-43001-10M <95003-43003-10M> <95003-43008-10M>	13.0	15.0	1 3 8
95003-45xxx-1x	95003-45001-10M <95003-45003-10M> <95003-45008-10M>	14.0	18.0	1 3 8
95003-45xxx-20	95003-45001-10M <95003-45003-10M> <95003-45008-10M>	14.0	18.0	1 3 8
95003-50xxx-1x	95003-50001-10M <95003-50003-10M>	16.0	19.0	1 3
95003-50xxx-20	95003-50001-10M <95003-50003-10M>	16.0	19.0	1 3
95003-50xxx-3x	95003-50001-60M <95003-50003-60M>	16.0	19.0	1 3
95003-55xxx-1x	95003-55001-10M <95003-55003-10M>	17.5	20.5	1 3
95003-55xxx-20	95003-55001-10M <95003-55003-10M>	17.5	20.5	1 3
95003-60xxx-1x	95003-60001-10M <95003-60003-10M>	22.0	27.0	1 3
95003-60xxx-20	95003-60001-10M <95003-60003-10M>	22.0	27.0	1 3
95003-60xxx-3x	95003-60001-60M <95003-60003-60M>	22.0	27.0	1 3
95003-60xxx-60	95003-60001-60M <95003-60003-60M>	22.0	27.0	1 3



General purpose hoses			
Standard part No.	Bulk part No.	Bulk part	
		Inner diameter (mm)	Length (m)
95005-11xxx-3x	95005-11001-30M	11.0	1
95005-11xxx-5x	95005-11001-50M	11.0	1
95005-12xxx-1x	95005-12001-10M <95005-12003-10M>	12.0	1 3
95005-12xxx-2x	95005-12001-20M	12.0	1
95005-12xxx-3x	95005-12001-30M	12.0	1
95005-12xxx-5x	95005-12001-50M	12.0	1
95005-14xxx-1x	95005-14001-10M	14.0	1
95005-14xxx-2x	95005-14001-20M <95005-14003-20M>	14.0	1 3
95005-14xxx-3x	95005-14001-30M	14.0	1
95005-14xxx-5x	95005-14001-50M	14.0	1
95005-17xxx-1x	95005-17001-10M	17.0	1
95005-17xxx-2x	95005-17001-20M	17.0	1
95005-17xxx-3x	95005-17001-30M	17.0	1
95005-17xxx-5x	95005-17001-50M	17.0	1
95005-30xxx-3x	95005-30001-30M	3.0	1
95005-30xxx-5x	95005-30001-50M	3.0	1
95005-35xxx-1x	95005-35001-10M <95005-35003-10M> <95005-35008-10M>	3.5	1 3 8
95005-35xxx-2x	95005-35001-20M	3.5	1
95005-35xxx-3x	95005-35001-30M	3.5	1
95005-35xxx-4x	95005-35001-10M <95005-35003-10M> <95005-35008-10M>	3.5	1 3 8
95005-35xxx-5x	95005-35001-50M	3.5	1
95005-45xxx-1x	95005-45001-10M <95005-45003-10M> <95005-45008-10M>	4.5	1 3 8
95005-45xxx-2x	95005-45001-20M	4.5	1
95005-45xxx-3x	95005-45001-30M	4.5	1

General purpose hoses			
Standard part No.	Bulk part No.	Bulk part	
		Inner diameter (mm)	Length (m)
95005-45xxx-4x	95005-45001-10M <95005-45003-10M> <95005-45008-10M>	4.5	1 3 8
95005-45xxx-5x	95005-45001-50M	4.5	1
95005-50xxx-3x	95005-50001-30M <95005-50003-30M>	5.0	1 3
95005-50xxx-5x	95005-50001-50M	5.0	1
95005-55xxx-1x	95005-55001-10M <95005-55003-10M> <95005-55008-10M>	5.3	1 3 8
95005-55xxx-2x	95005-55001-20M <95005-55003-20M>	5.3	1 3
95005-55xxx-4x	95005-55001-10M <95005-55003-10M> <95005-55008-10M>	5.3	1 3 8
95005-65xxx-1x	95005-65001-10M <95005-65003-10M>	6.5	1 3
95005-65xxx-2x	95005-65001-20M	6.5	1
95005-70xxx-3x	95005-70001-30M <95005-70003-30M>	7.0	1 3
95005-70xxx-5x	95005-70001-50M	7.0	1
95005-75xxx-1x	95005-75001-10M <95005-75003-10M>	7.3	1 3
95005-75xxx-2x	95005-75001-20M	7.3	1
95005-80xxx-1x	95005-80001-10M <95005-80003-10M>	8.0	1 3
95005-80xxx-2x	95005-80001-20M	8.0	1
95005-80xxx-3x	95005-80001-30M	8.0	1
95005-80xxx-5x	95005-80001-50M	8.0	1
95005-91xxx-3x	95005-91001-30M	12.0	1
95005-91xxx-5x	95005-91001-50M	12.0	1
95005-92xxx-3x	95005-92001-30M	12.0	1
95005-92xxx-5x	95005-92001-50M	12.0	1

NOTE: X is displayed to represent the omitted numerals and letters of the roman alphabet.

⊙ **CAUTION: It is DANGEROUS to confuse the fuel hose with the general purpose hose or vinyl hose.**

Never use a general purpose hose or vinyl hose in place of a fuel hose or vice versa. Always use the correct bulk part in the parts catalogue, according to the service manual or the instructions issued with the bulk part.

• Bulk part number of fuel hose, general purpose hose and vinyl hose.

(Example)

95001-75001-50M

Bulk part number: Refers to the bulk part.

Marking code (hose type): (fuel hose and general purpose hose)

Change code (for added hose): (Vinyl hose)

- Indicates number mark or change sequence, however, the code for the bulk part must be strictly 0 (zero).

Types of code:

- Fuel hose
  - 2: Red outside braid (3 mm inside dia. only)
  - 5: Black inside braid
  - 3: Red (3 mm inside dia. only)
  - 4: Ash gray with red stripe (3 mm inside dia. only)
  - 6: Black
- Vinyl hose
  - 1: Clear
  - 2: Black
  - 3: Light red
  - 6: Light red
  - 7: Pale black
- General hose
  - 1: Ash gray
  - 2: Ash gray
  - 3: Black
  - 5: Black

Lengths: 001: 1 m (standard)  
003: 3 m  
008: 8 m

I.D code: (fuel hose and general purpose hose)

- 30: 3.0 mm
- 35: 3.5 mm
- 45: 4.5 mm
- 50: 5.0 mm
- 55: 5.3 mm, 5.5 mm
- 65: 6.5 mm
- 70: 7.0 mm
- 75: 7.3 mm, 7.5 mm
- 80: 8.0 mm
- 11: 11 mm
- 91: 12 mm (outside dia. 15) mm
- 92: 12 mm (outside dia. 16) mm
- 12: 12 mm (outside dia. 17) mm
- 14: 14 mm
- 17: 17 mm

ID./OD. code: (vinyl hose)

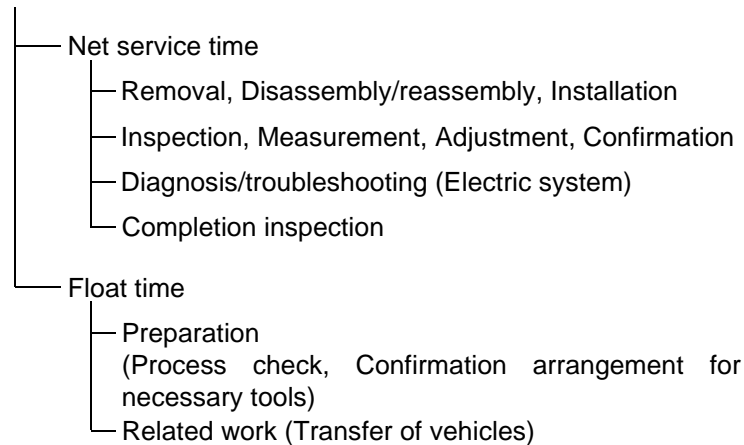
- 01: ID. 2.9, OD. 6.8 mm
- 03: ID. 3.0, OD. 6.0 mm
- 05: ID. 3.5, OD. 6.5 mm
- 07: ID. 4.0, OD. 7.0 mm
- 08: ID. 4.5, OD. 6.5 mm
- 09: ID. 4.5, OD. 8.0 mm
- 12: ID. 5.0, OD. 7.0 mm
- 10: ID. 5.0, OD. 8.0 mm
- 11: ID. 5.0, OD. 9.0 mm
- 14: ID. 6.0, OD. 9.0 mm
- 17: ID. 7.0, OD. 9.0 mm
- 19: ID. 7.0, OD. 11.0 mm
- 21: ID. 8.0, OD. 9.0 mm
- 23: ID. 8.0, OD. 12.0 mm
- 25: ID. 9.0, OD. 11.0 mm
- 27: ID. 9.0, OD. 13.0 mm
- 33: ID. 10.0, OD. 14.0 mm
- 36: ID. 11.0, OD. 13.0 mm
- 37: ID. 11.0, OD. 15.0 mm
- 38: ID. 12.0, OD. 13.0 mm
- 39: ID. 12.0, OD. 14.0 mm
- 40: ID. 12.0, OD. 16.0 mm
- 43: ID. 13.0, OD. 15.0 mm
- 45: ID. 14.0, OD. 18.0 mm
- 50: ID. 16.0, OD. 19.0 mm
- 55: ID. 17.5, OD. 20.5 mm
- 60: ID. 22.0, OD. 27.0 mm

Hose type: 1: Fuel hose  
3: Vinyl hose  
5: General hose

## FLAT RATE SERVICE TIME

Flat rate service time (FRT) means the standard time required to service a MC, which is listed in this manual to help the dealers control the actual working process and calculate the service charge by using it as a guide.

### FRT setting system



\* Float time is set by multiplying the net service time by a given coefficient.

### Editorial style

The service items shown in the text are listed with the exchange work time for the repair sales parts as the subject. Other representative service items not using repair parts (removal/installation, adjustment, inspection/measuring, and other work) are listed collectively in the list in the preface, classified according to the work.

### FRT setting standard

- Decimal system (in unit of 0.1) is adopted to set FRT as it is convenient to calculate the wage.  
Example: (0.1) → 6 minutes, (0.2) → 12 minutes  
[Labor cost per hour] x [FRT] = [Wage]
- FRT is set with a hand tool.
- Service items and FRT can be subject to change depending on development of tools and service equipment and improvement in service procedure.

**Work procedure**

- As the work procedure is set with the work time according to the method in the separate Service Manual, refer to this Manual as required.
- Work methods permitting servicing in the shortest time still permitting assurance of safe work and product warranty are used for the setting of service items not listed in the Service Manual.
- Work basically is to be performed by one person, and when two or more people are required, setting is done as the total time for the number of people.
- The set value for the technological level of the workers uses a person with three years of experience in the repair of Honda vehicles as the standard.
- Special tools and service equipment used to set FRT are those specified or recommended in Service Manual.

**Service item whose FRT is not presented**

- Accessories and service parts that are not listed to use in this manual.
- Locations with little aging deterioration or breakage during normal use.
- Service work that can be finished by one touch.
- Service work that is seldom done (i.e. extremely small causes of trouble and service frequency).

\* When FRT is not presented, please calculate wages based on appropriate actual work time

**Operation not included of FRT**

- Oil and coolant water draining, Waiting time for warming up operation and etc..
- Additional operation that involves removal/installation of standard exterior equipment.
- Indirect time spent for service by visiting the customer, trade-in, and delivery of a MC.
- Indirect time required for ordering and delivery of parts.
- Cost for grease, adhesive agent, etc. used for service work.

**Explanation of FRT by using an example  
(The example may differ from the actual presented items)**

Ref. No.	L.O.N.	(Relative ref. Number) Description	F.R.T.
②	111118	(1, 3, 4, 7) CAMSHAFT ..... 4.5	②
③	111118A	⑥ • Includes: Valve clearance adjustment Replace rocker arm add ..... 1.0	⑤

- ① Reference No. of the illustration of part that shows location of the replacement work.
- ② FRT is an abbreviation of Flat Rate Time indicating the standard service time required for the replacement.
- ③ LON is an abbreviation of Labor Operation Number, and it is a classification of the service items by the work unit code.

The same operation code is used regardless of the models.

Standard operation is indicated with 6 digits code, and additional operation is indicated with 7 digits code.

- ④ Indicating the camshaft replacement and FRT4.5.
- ⑤ Indicating FRT1.0 that will be added when additional operation (replace rocker arm) is done in association with camshaft replacement.

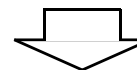
⑥ Indicating work contents that are included in the service item.

⑦ Indicating a reference No. whose operation and time are the same as FRT4.5 for the camshaft.

(The application range is limited to the service items without an LON setting within a same block.)

**How to refer to the service item by using the sample  
(camshaft replacement)**

Open to the page of the block where the camshaft's spare part illustration is shown.



Look for the camshaft illustration, and refer to the service item and FRT that agree with the reference No.

Indication mark for the listing of service items that continues to the following page

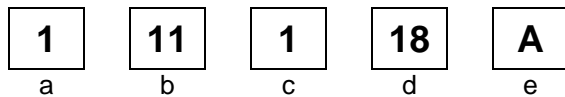
Ref. No.	L.O.N.	(Relative ref. Number) Description	F.R.T.
2	111118	CAMSHAFT .....	4.5
	.	.	.
	.	.	.

+  
Mark indicated at the last line.

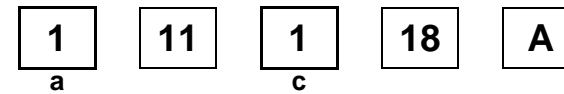
Indication of the block with no setting of FRT

Ref. No.	L.O.N.	(Relative ref. Number) Description	F.R.T.
NO INFORMATION .....			

• LON code system



- a) Category code..... Engine
- b) Location/function code ..... Engine upper
- c) Operation code..... Replace
- d) Operation sequence number (Unit code can be shown with alphabet) ..... camshaft (No regular rule of code)
- e) Additional code ..... replace rocker arm (No regular rule of code)



a) Category codes and classification

Code	Category
1	Engine
2	Transmission
3	Fuel & Exhaust
4	Frame & Body
5	Steering/Suspension
6	Electrical
7	Wheels/Brakes
8	Controls/instrument
9	-
0	-

c) Operation codes and classification

Code	Operation category
1	Replace, Removal/Installation, Change
2	Overhaul
3	Adjust, Balance
4	(Paint-related work: Top-coat)
5	Test, Inspect/diagnose, Measurement, Check
6	(Overhaul-related work: Rebore)
7	(Overhaul-related work: Reseal)
8	(Resurface)
9	(Paint-related work: Refinish)
0	Repair, Cleaning, Air bleeding

Major service items without using spare parts  
Removal/Installation, Adjustment, Inspection/Measurement, Overhaul, Other work

[ E: Engine, F: Frame ]

### \* OPERATIONS OTHER THAN REPLACING PARTS

#### • Removal/installation

Set for the configuration with the parts removed from the vehicle.

	LON	DESCRIPTION	FRT
E	1101E5	<b>TILTING ENGINE ASSEMBLY-REMOVAL/INSTALLATION</b> INCLUDES: All necessary adjustment	2.1
	3111D5	<b>THROTTLE BODY ASSEMBLY-REMOVAL/INSTALLATION</b>	0.8
	3111D6	<b>CARBURETOR ASSEMBLY-REMOVAL/INSTALLATION</b>	0.4
	1101E6	<b>CRANKCASE SEPARATION</b> INCLUDES: Engine removal and installation	4.1

#### • Adjustment

	LON	DESCRIPTION	FRT
E	3113A0	<b>CARBURETOR IDLE-ADJUSTMENT</b>	0.1
	3143A0	<b>ENGINE IDLE-ADJUSTMENT</b>	0.2
	2123A0	<b>CLUTCH-ADJUSTMENT</b> INCLUDES: Clutch lever adjustment	0.1
	6143A1	<b>SPARK PLUG-ADJUSTMENT/CLEANING</b>	0.1
	1113A0	<b>VALVE CLEARANCE-ADJUSTMENT</b> NOTE: For 1 vehicle	0.6
F	6163A0	<b>HEADLIGHT-AIMING</b>	0.1
	2133A0	<b>DRIVE CHAIN-ADJUSTMENT</b>	0.1
	7113A1	<b>REAR BRAKE-ADJUSTMENT</b> EXCLUDES: Rear brake shoe adjustment	0.1
	3113A3	<b>THROTTLE OPERATION-ADJUSTMENT</b>	0.1

#### • Inspection/Measurement

	LON	DESCRIPTION	FRT
E	1115A0	<b>COMPRESSION PRESSURE-MEASUREMENT</b>	0.2
	3115A0	<b>CARBURETOR FLOAT LEVEL-MEASUREMENT</b>	0.6
	6145A0	<b>IGNITION TIMING-INSPECTION</b>	0.2
F	6105A0	<b>BATTERY-CHARGE</b> INCLUDES: In case of open type battery, checking electrolyte level and charge.	0.2

#### • Overhaul

Work condition: The required Measurements, inspections, adjustments, and cleaning/washing of each part are performed, including the main body removal/installation work and the replacement of defective parts.

	LON	DESCRIPTION	FRT
E	311200	<b>CARBURETOR-OVERHAUL</b> INCLUDES: All necessary adjustment	0.8

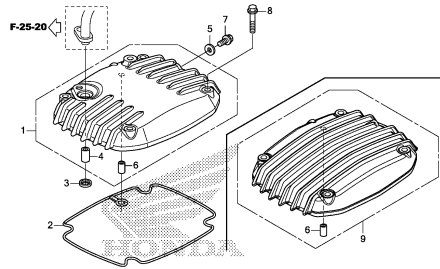
#### • Other work

	LON	DESCRIPTION	FRT
E	1130A1	<b>OIL FILTER SCREEN-CLEANING</b>	0.4
F	7110A0	<b>FRONT BRAKE-AIR BLEEDING</b>	0.2
	7110A1	<b>REAR BRAKE-AIR BLEEDING</b>	0.3
	6185A0	<b>ECM/PCM UPDATE</b>	0.2

# ENGINE GROUP

E-1

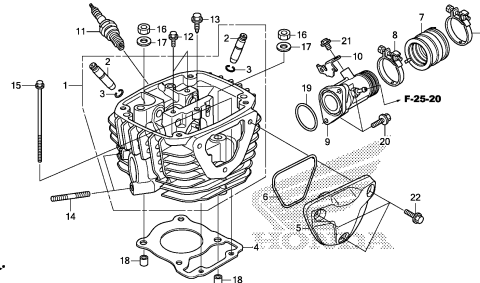
CYLINDER HEAD COVER



KOEJBE100A

E-2

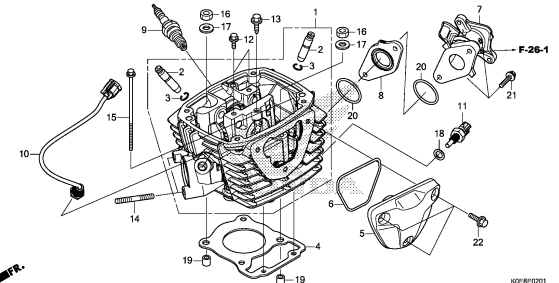
CYLINDER HEAD(CBF160FSJ/K)



KOEJBE0200

E-2-1

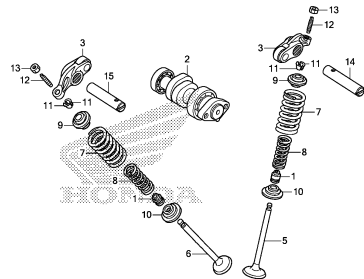
CYLINDER HEAD(CBF160FSM)



KOEJBE0201

E-3

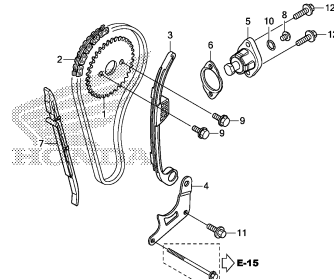
CAMSHAFT/VALVE



KOEJBE0300

E-4

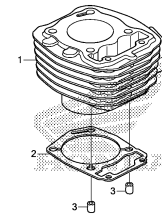
CAM CHAIN/TENSIONER



KOEJBE0400

E-5

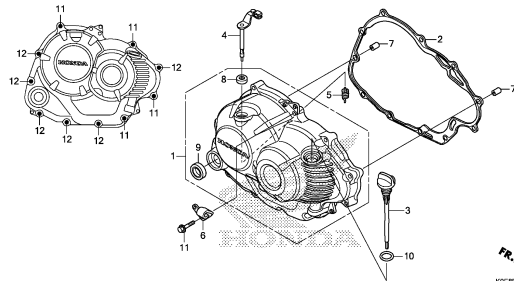
CYLINDER



KOEJBE0500

E-6

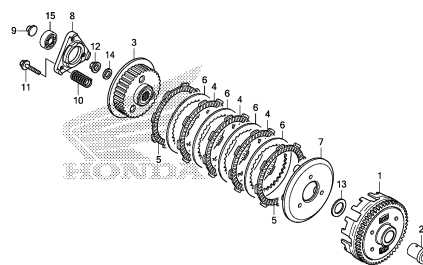
RIGHT CRANKCASE COVER



KOEJBE0600

E-8

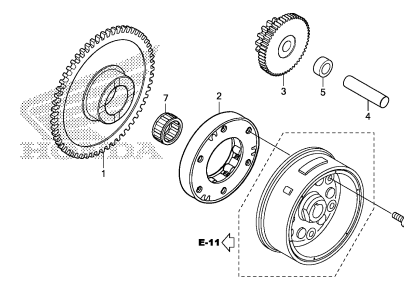
CLUTCH



KOEJBE0800

E-9

STARTING CLUTCH



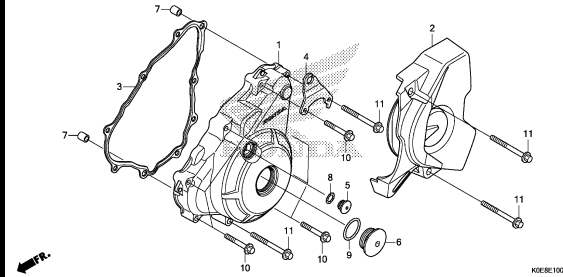
KOEJBE0900



# ENGINE GROUP

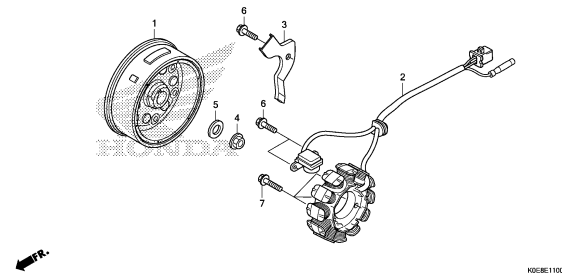
E-10

LEFT CRANKCASE COVER



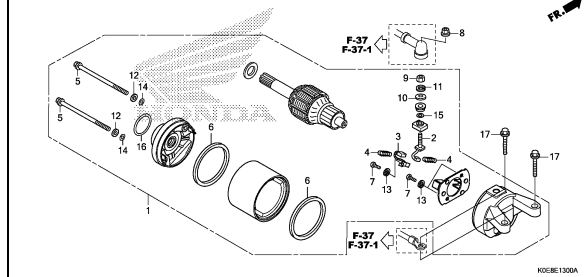
E-11

GENERATOR



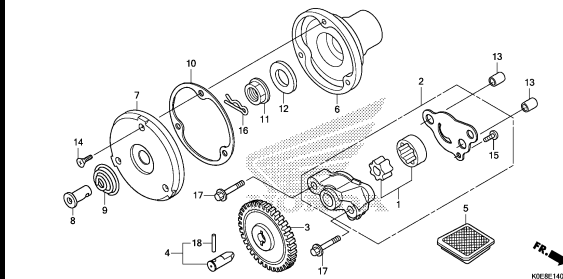
E-13

STARTER MOTOR



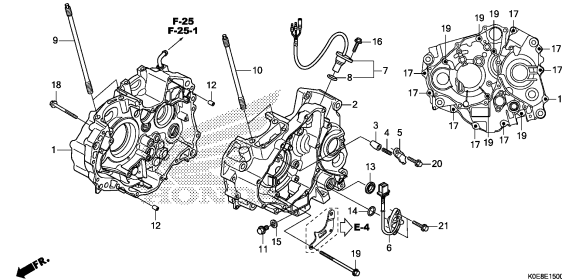
E-14

OIL PUMP



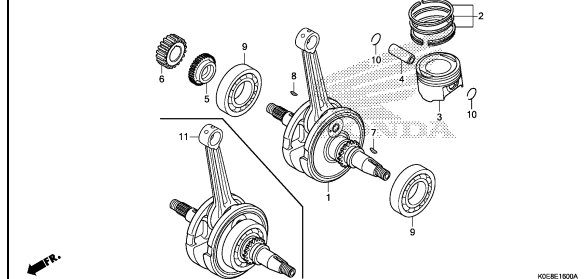
E-15

CRANKCASE



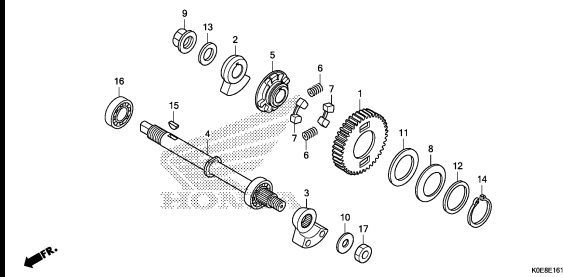
E-16

CRANKSHAFT/PISTON



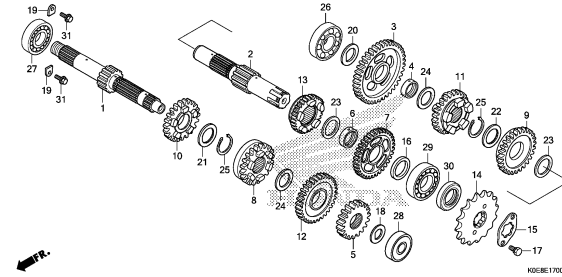
E-16-10

BALANCER SHAFT



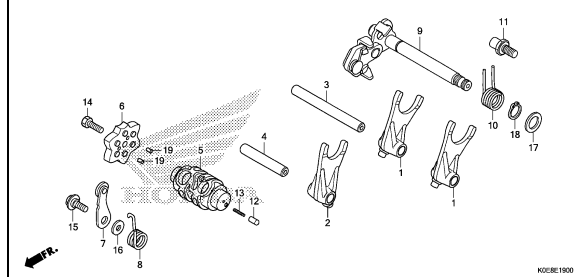
E-17

TRANSMISSION



E-19

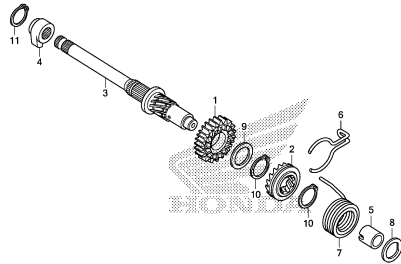
GEARSHIFT DRUM



# ENGINE GROUP

E-20

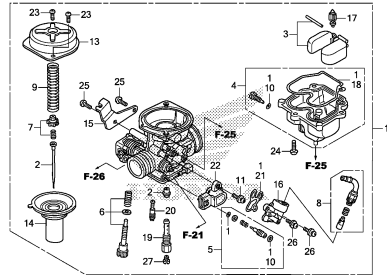
KICK STARTER SPINDLE



KOEBE2200

E-22

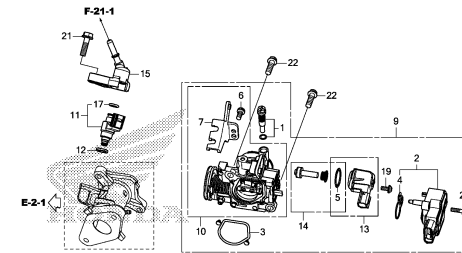
CARBURETOR



KOEBE2200

E-23

THROTTLE BODY



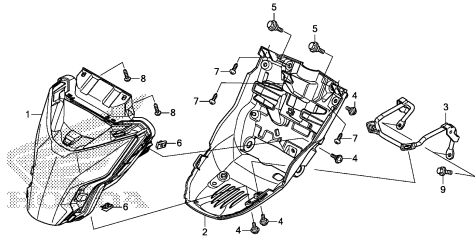
KOEBE2300

2

# FRAME GROUP

F-1

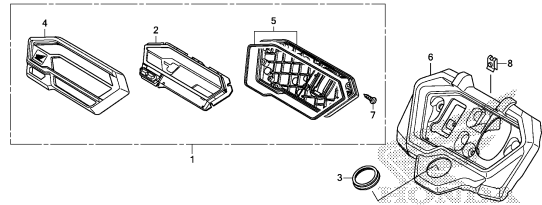
HEADLIGHT



KOE16F0100

F-2

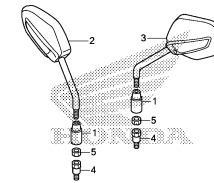
METER



KOE16F0200

F-3

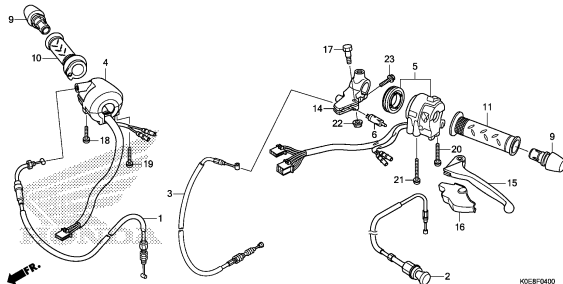
MIRROR



KOE16F0300

F-4

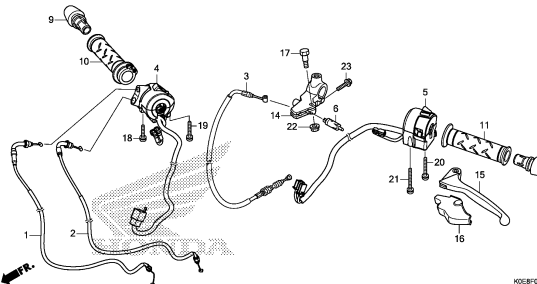
HANDLE LEVER/SWITCH/CABLE  
(CBF160FSJ/K)



KOE16F0400

F-4-1

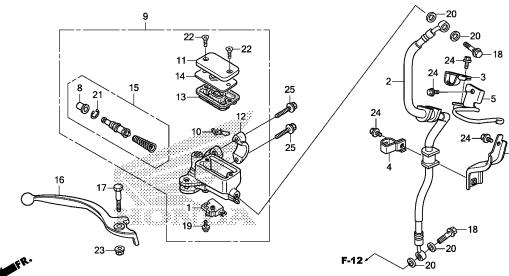
HANDLE LEVER/SWITCH/CABLE  
(CBF160FSM)



KOE16F0401

F-5

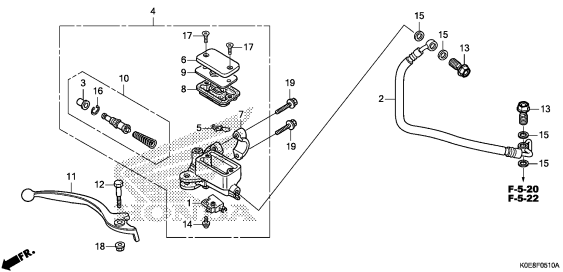
FRONT BRAKE MASTER CYLINDER(1)



KOE16F0500

F-5-10

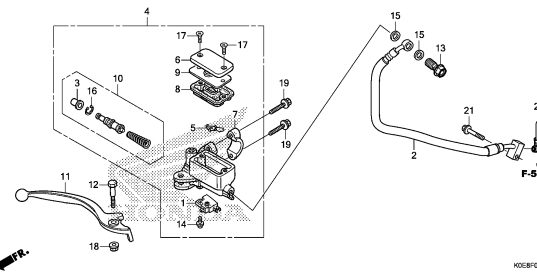
FRONT BRAKE MASTER CYLINDER(2)



KOE16F0510A

F-5-11

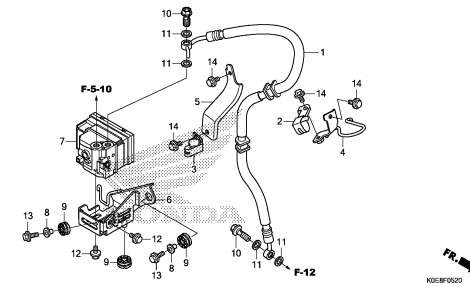
FRONT BRAKE MASTER CYLINDER(3)



KOE16F0511

F-5-20

ABS MODULATOR(CBF160FSK-ID)

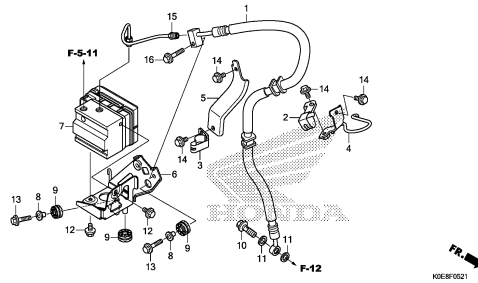


KOE16F0520

# FRAME GROUP

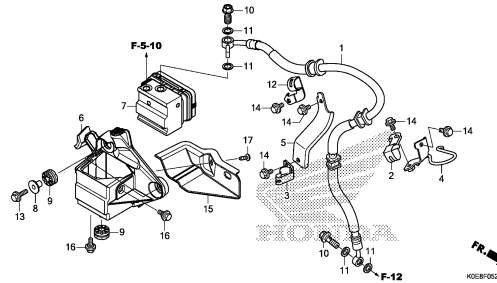
**F-5-21**

ABS MODULATOR(CBF160FSK-3BA/3ID)



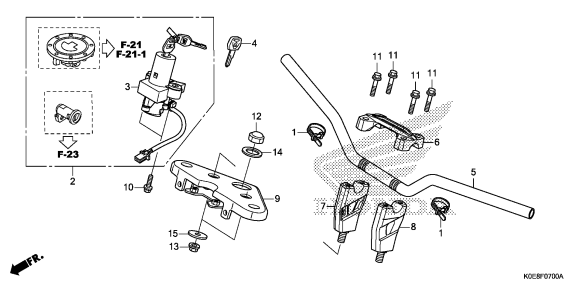
**F-5-22**

ABS MODULATOR(CBF160FSM)



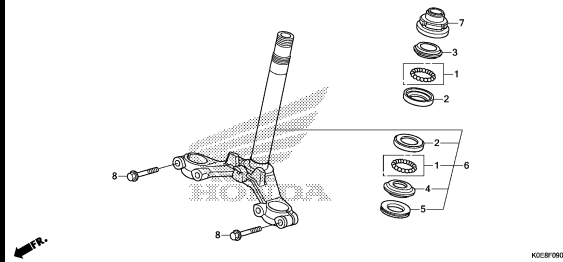
**F-7**

HANDLE PIPE/TOP BRIDGE



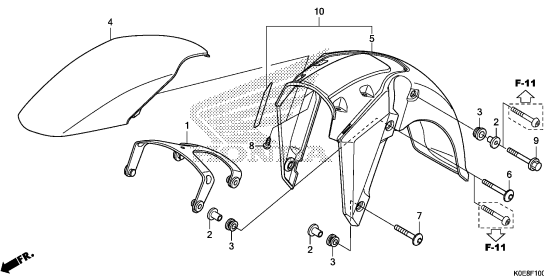
**F-9**

STEERING STEM



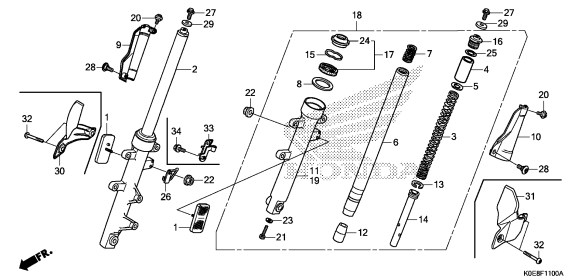
**F-10**

FRONT FENDER



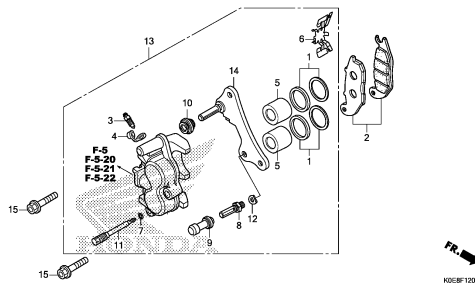
**F-11**

FRONT FORK



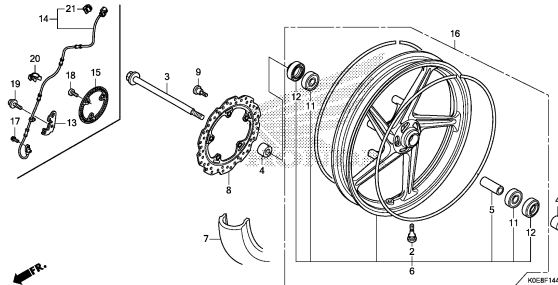
**F-12**

FRONT BRAKE CALIPER



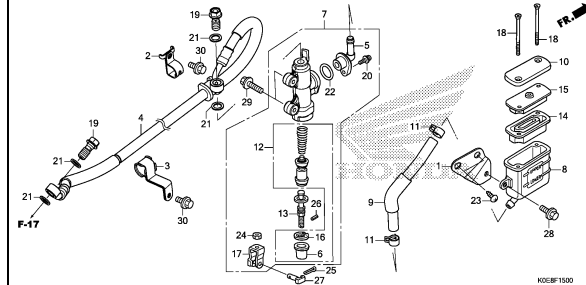
**F-14-40**

FRONT WHEEL



**F-15**

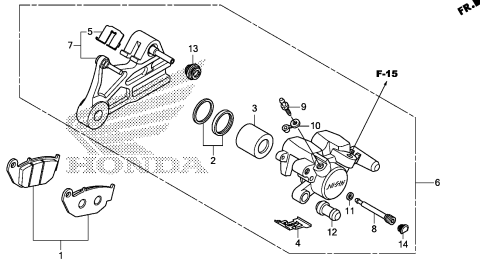
REAR BRAKE MASTER CYLINDER



# FRAME GROUP

F-17

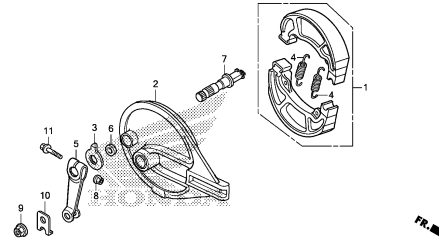
REAR BRAKE CALIPER



KOEJF1700

F-18

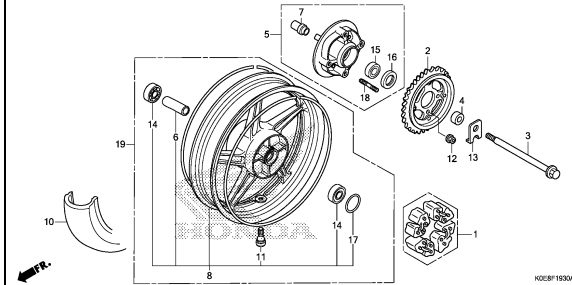
REAR BRAKE PANEL



KOEJF1800

F-19-30

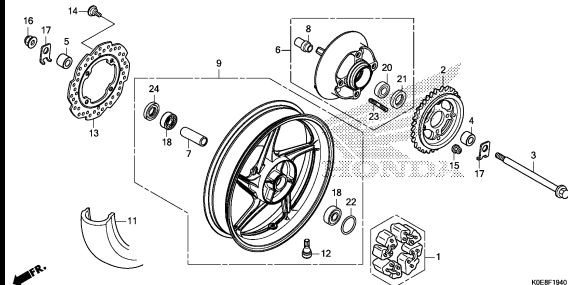
REAR WHEEL(DRUM BRAKE)



KOEJF1930A

F-19-40

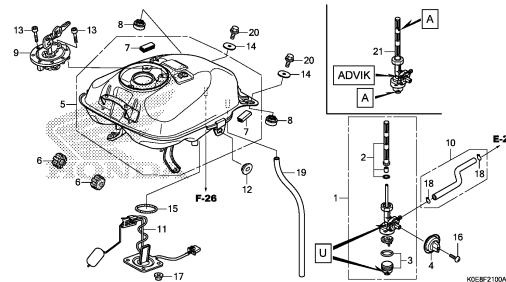
REAR WHEEL(DISK BRAKE)



KOEJF1940

F-21

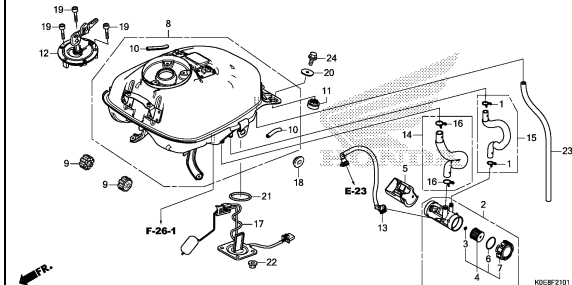
FUEL TANK(CBF160FSJ/K)



KOEJF2100A

F-21-1

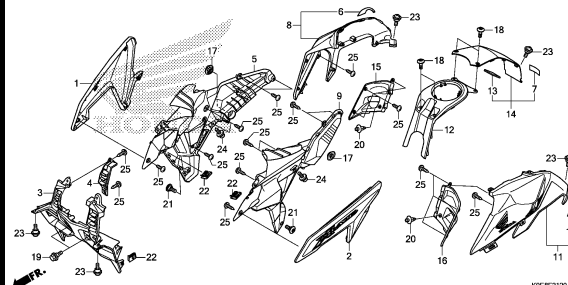
FUEL TANK(CBF160FSM)



KOEJF2101

F-21-20

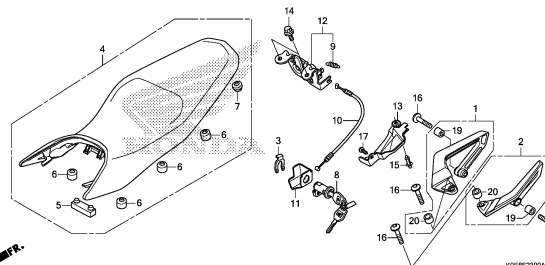
FUEL TANK COVER



KOEJF2120

F-23

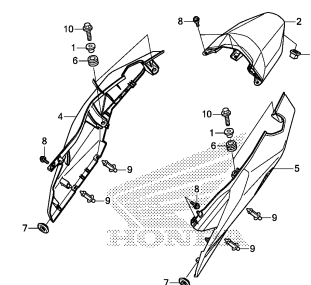
SEAT/REAR GRIP



KOEJF2300A

F-23-10

REAR COWL

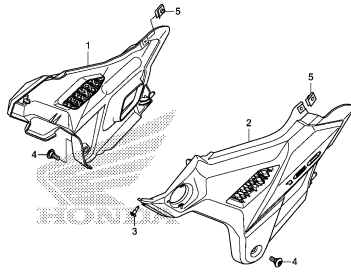


KOEJF2310

# FRAME GROUP

F-24

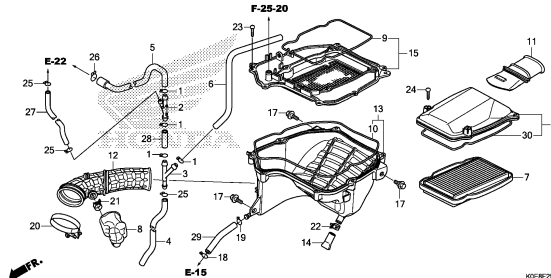
SIDE COVER



KOEJF2400

F-25

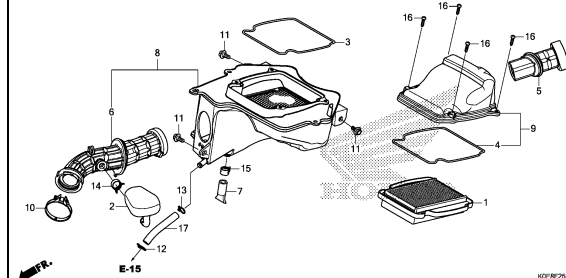
AIR CLEANER(CBF160FSJ/K)



KOEJF2500

F-25-1

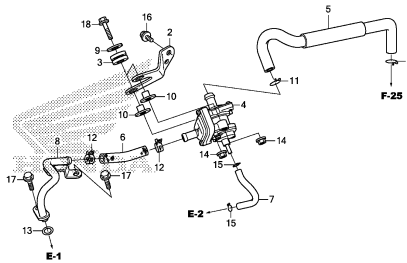
AIR CLEANER(CBF160FSM)



KOEJF2501

F-25-20

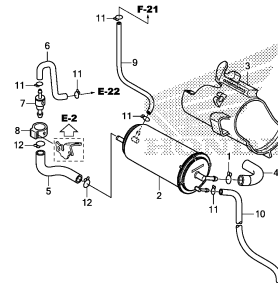
AIR SUCTION VALVE



KOEJF2520

F-26

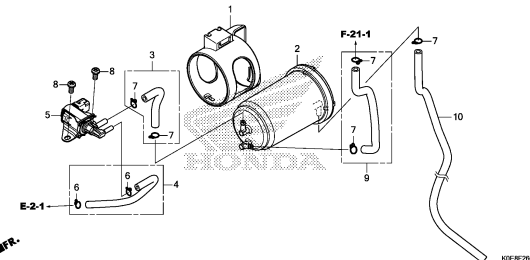
CANISTER(CBF160FSJ/K)



KOEJF2600

F-26-1

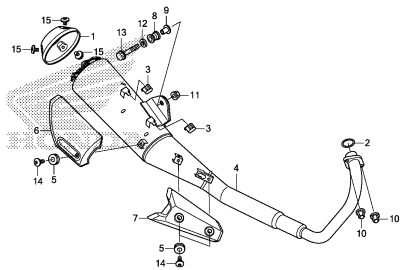
CANISTER(CBF160FSM)



KOEJF2601

F-27

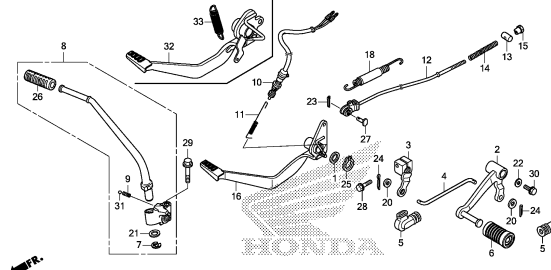
EXHAUST MUFFLER



KOEJF2700

F-29

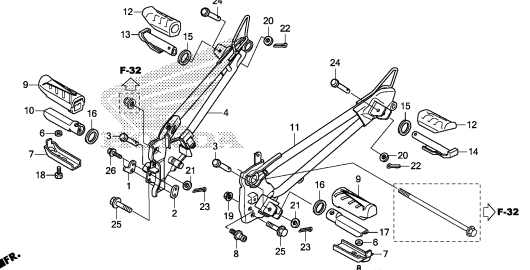
PEDAL



KOEJF2900A

F-30

STEP



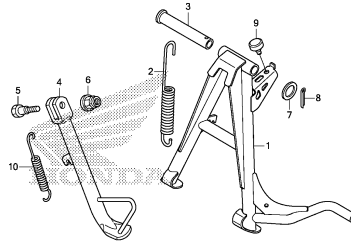
KOEJF3000

3

# FRAME GROUP

F-31

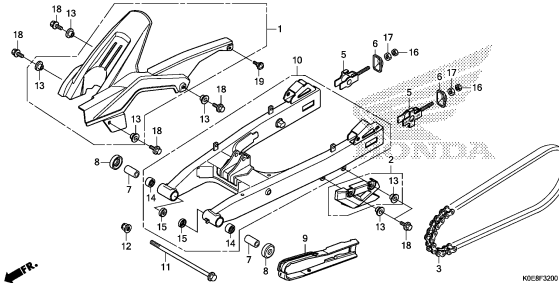
STAND



KOEJF3100

F-32

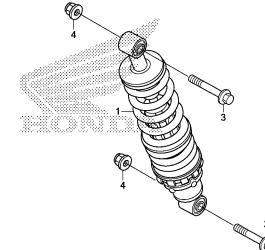
SWINGARM



KOEJF3200

F-33

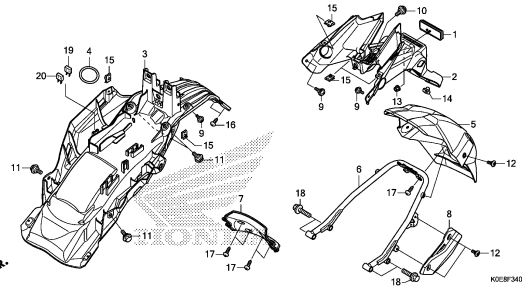
REAR CUSHION



KOEJF3300

F-34

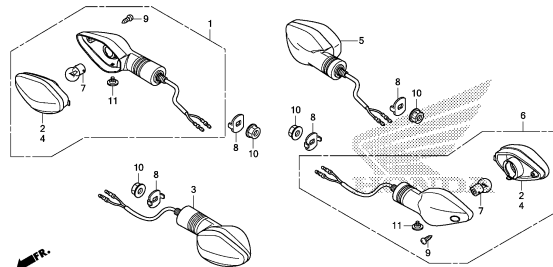
REAR FENDER



KOEJF3400

F-35

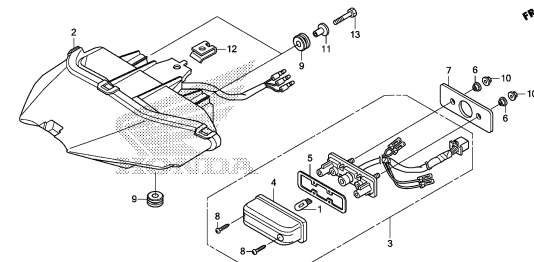
WINKER



KOEJF3500

F-36

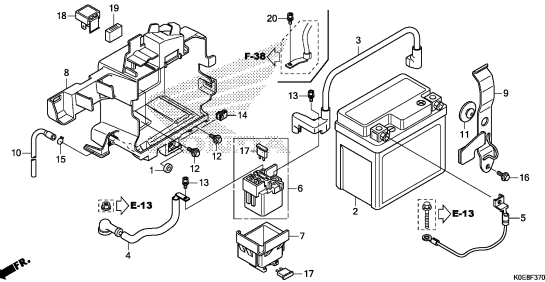
TAILLIGHT



KOEJF3600

F-37

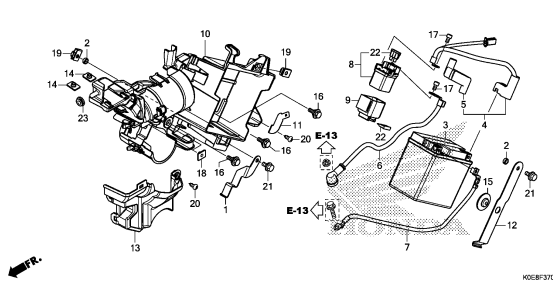
BATTERY(CBF160FSJ/K)



KOEJF3700

F-37-1

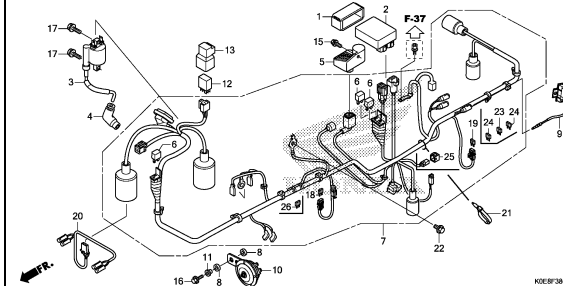
BATTERY(CBF160FSM)



KOEJF3701

F-38

WIRE HARNESS(CBF160FSJ/K)

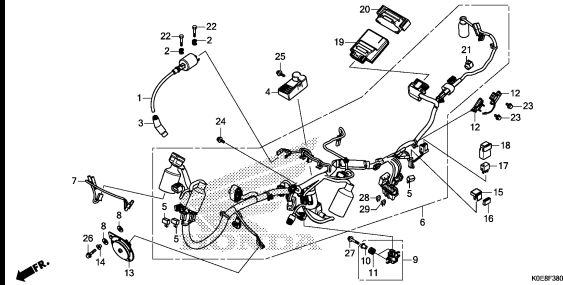


KOEJF3800

# FRAME GROUP

F-38-1

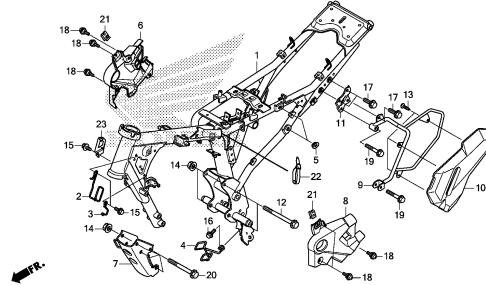
WIRE HARNESS(CBF160FSM)



KOEJF3801

F-39

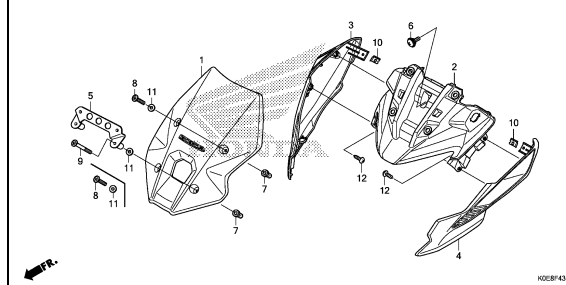
FRAME BODY



KOEJF3900A

F-43

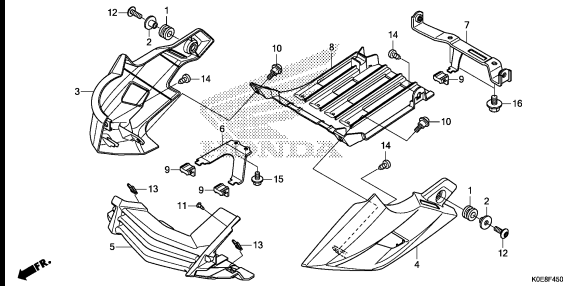
UPPER COVER



KOEJF4300A

F-45

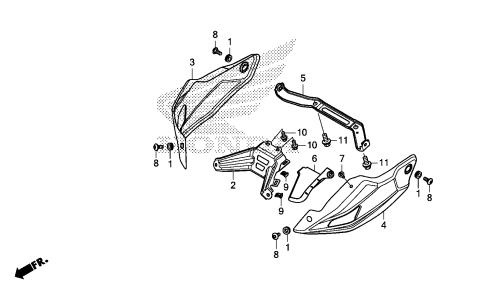
UNDER COWL(CBF160FSK)



KOEJF4500

F-45-1

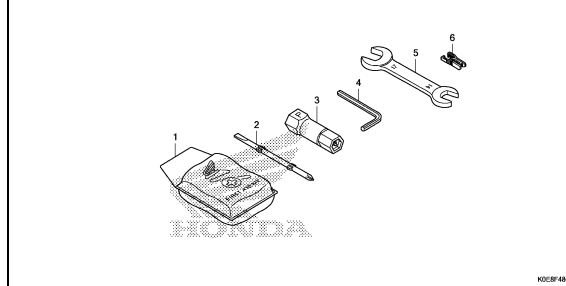
UNDER COWL(CBF160FSM)



KOEJF4501

F-48

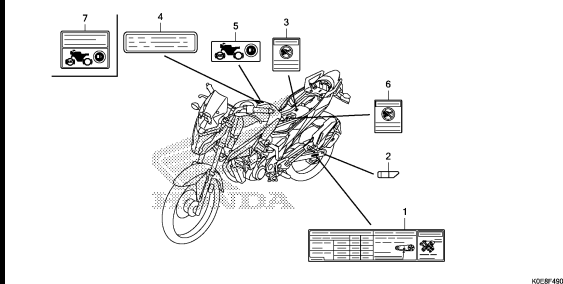
TOOLS



KOEJF4800A

F-49

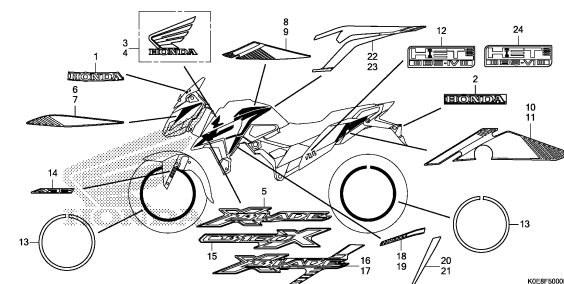
CAUTION LABEL



KOEJF4900C

F-50

MARK/STRIPE



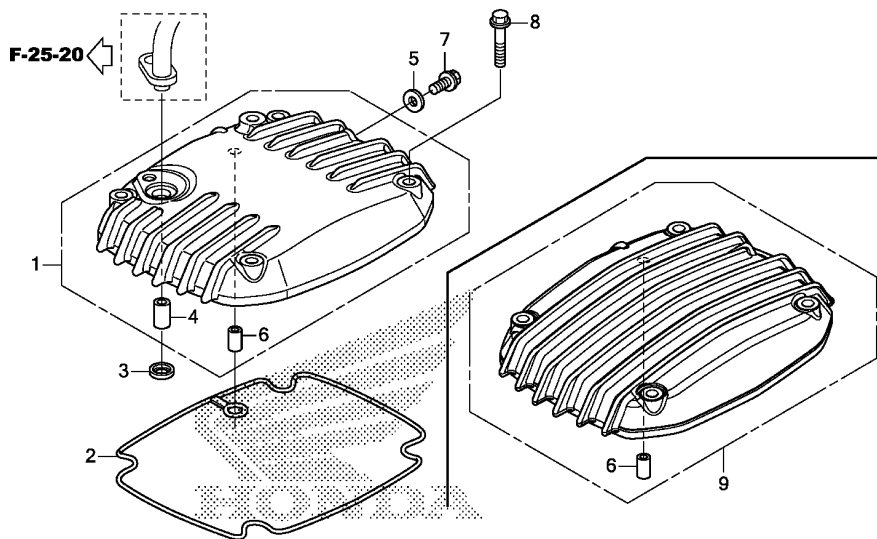
KOEJF5000B

3



E-1

CYLINDER HEAD COVER



Ref. No.	L.O.N.	(Relative ref. Number) Description	F.R.T.
1		(9)	
1	1111C4	COVER, CYLINDER HEAD .....	0.6
2	1111D2	GASKET, CYLINDER HEAD COVER ..	0.6

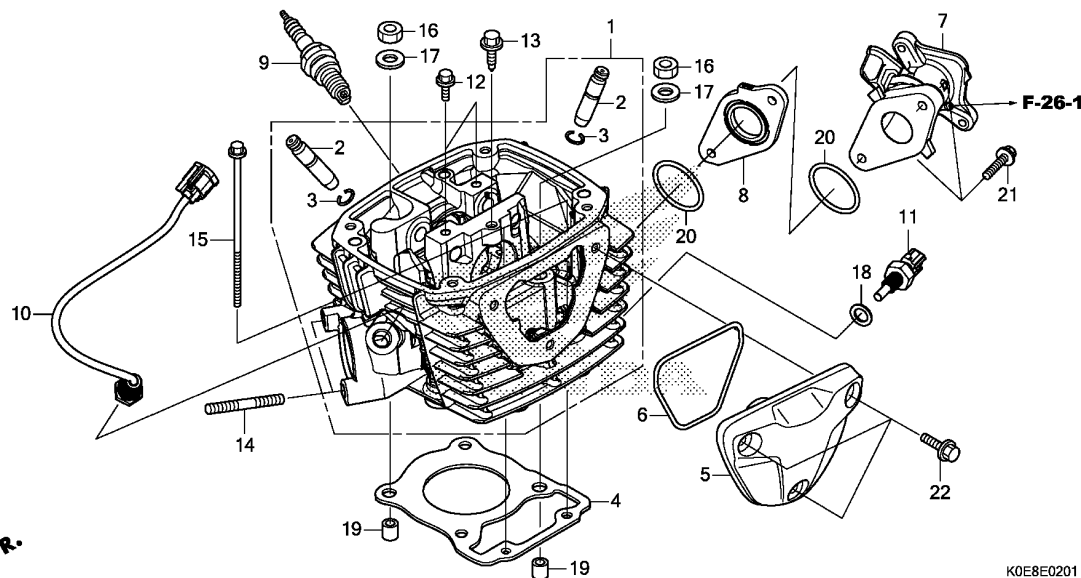
Ref. No.	Part No.	Description	Reqd. QTY			Serial No.	Parts catalogue code
			J	K	M		
1	12310-K38-900	COVER COMP., CYLINDER HEAD ..	1	1	-		
2	12391-K38-900	GASKET, HEAD COVER .....	1	1	1		
3	12397-KWG-601	GASKET C, HEAD COVER .....	1	1	-		
4	12398-KSP-B00	COLLAR, 10MM .....	1	1	-		
5	90463-KRM-840	WASHER, SEALING, 6.2X12X1.2 ..	1	1	1		
6	94301-07120	PIN A, DOWEL, 7X12 .....	1	1	1		
7	96001-06012-00	BOLT, FLANGE, 6X12 .....	1	1	1		
8	96001-06035-00	BOLT, FLANGE, 6X35 .....	4	4	4		
9	12310-K1K-D00	COVER COMP., CYLINDER HEAD ..	-	-	1		

2



# E-2-1

# CYLINDER HEAD(CBF160FSM)



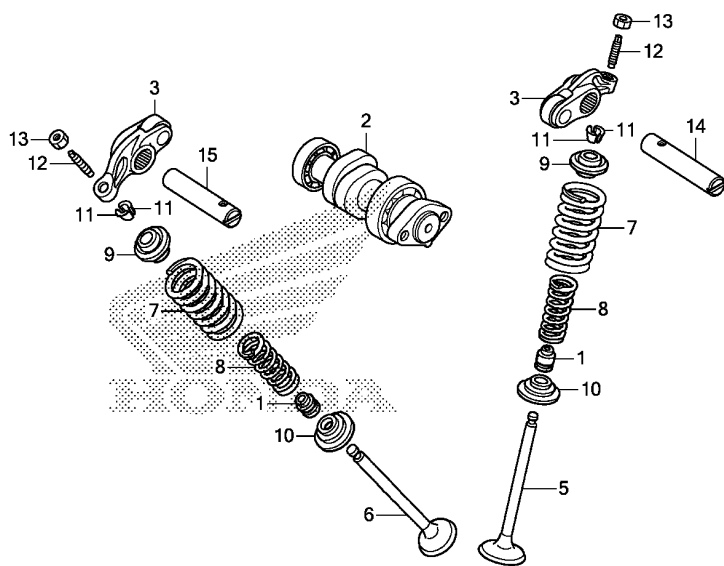
KOE8E0201

Ref. No.	L.O.N.	(Relative ref. Number) Description	F.R.T.
1	111106	HEAD, CYLINDER ..... .INCLUDES: Valve adjust and reface	2.8
2	1111L9	GUIDE, INTAKE VALVE(ONE) ..... .INCLUDES: Reaming .INCLUDES: Valve adjust and reface	2.9
	1111M0	GUIDE, EXHAUST VALVE(ONE) .... .INCLUDES: Reaming .INCLUDES: Valve adjust and reface	2.9
	1111M9	GUIDE, VALVE :FOR 1 VEHICLE .. .INCLUDES: Reaming .INCLUDES: Valve adjust and reface	3.2
4	111115	GASKET, CYLINDER HEAD ..... (6)	2.1
5	1111C5	COVER, CYLINDER HEAD :LEFT ...	0.1
7	1111BA	MANIFOLD, INTAKE(A) ..... (20)	0.8
8	3111J4	INSULATOR, THROTTLE BODY/ CARBURETOR(A) .....	0.2
9	614130	PLUG, SPARK .....	0.1
10	617121	SENSOR, OXYGEN .....	0.5
11	617151	SENSOR, OIL TEMPERATURE .....	0.2

Ref. No.	Part No.	Description	Reqd. QTY			Serial No.	Parts catalogue code
			CBF160FS	J	K		
1	12200-KOE-D50	HEAD COMP., CYLINDER .....	-	-	1		
2	12204-KRE-P00	GUIDE, VALVE(O.S.) .....	-	-	2		
3	12213-KSP-910	CLIP, VALVE GUIDE .....	-	-	2		
4	12251-K38-901	GASKET, CYLINDER HEAD .....	-	-	1		
	12252-K38-900	GASKET, CYLINDER HEAD(O.S.) ..	-	-	(1)		
5	12341-K38-900	COVER, CYLINDER HEAD L. SIDE ..	-	-	1		
6	12395-KRE-G00	O-RING, 72.8X2.0 .....	-	-	1		
7	17110-K1K-D00	PIPE COMP., IN. ....	-	-	1		
8	17119-K1K-D00	INSULATOR, IN. PIPE .....	-	-	1		
9	31916-KRM-841	PLUG, SPARK(CPR8EA-9)(NGK) ..	-	-	1		
10	36532-KOL-D01	SENSOR, OXYGEN .....	-	-	1		
11	37750-KOP-D01	SENSOR ASSY., OIL TEMPERATURE (PANASONIC) .....	-	-	1		
12	90002-KRM-840	BOLT, FLANGE, 5X14 .....	-	-	2		
13	90014-KRE-G00	BOLT, SPECIAL, 6X21 .....	-	-	1		
14	90035-KRM-840	BOLT, STUD, 8X22 .....	-	-	2		
15	90036-KRE-G00	BOLT, FLANGE, 6X110 .....	-	-	2		
16	90201-KRE-G00	NUT, LOCK, 9MM .....	-	-	4		
17	90404-KRE-G00	WASHER, 9.2X19X2.3 .....	-	-	4		
18	90443-MBO-000	WASHER, SEALING, 10.2MM .....	-	-	1		
19	90701-KRE-G00	DOWEL PIN, SPECIAL, 10X12 ...	-	-	2		
20	91302-KON-D00	O-RING, IN. PIPE .....	-	-	2		
21	95701-06030-00	BOLT, FLANGE, 6X30 .....	-	-	2		
22	96001-06022-00	BOLT, FLANGE, 6X22 .....	-	-	3		

E-3

CAMSHAFT/VALVE



KOE8E0300

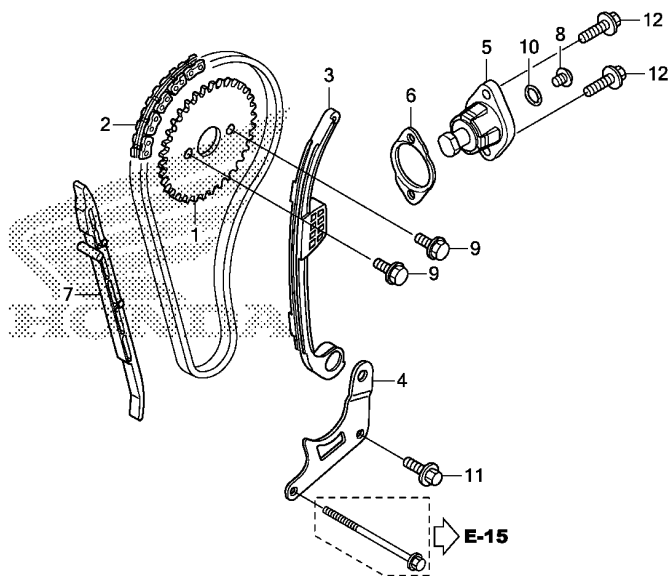
Ref. No.	L.O.N.	(Relative ref. Number) Description	F.R.T.
2	111118	CAMSHAFT ..... .INCLUDES: Valve adjustment (14,15)	1.0
3	1111K8	ARM, INTAKE VALVE ROCKER(ONE) .INCLUDES: Valve adjustment	1.0
	1111K9	ARM, EXHAUST VALVE ROCKER(ONE) .INCLUDES: Valve adjustment	1.0
	1111L8	ARM, VALVE ROCKER :FOR 1 VEHICLE .....	1.0
		.INCLUDES: Valve adjustment	
5	1111N0	VALVE, INTAKE(ONE) .....	2.4
		.INCLUDES: Refacing	
6	1111N1	VALVE, EXHAUST(ONE) .....	2.4
		.INCLUDES: Refacing	
	1111P0	VALVE :FOR 1 VEHICLE .....	2.6
		.INCLUDES: Refacing	
7	1111P2	INTAKE VALVE SPRING AND/OR STEM SEAL(ONE) .....	2.2
	1111P3	EXHAUST VALVE SPRING AND/OR STEM SEAL(ONE) .....	2.2
	1111Q2	VALVE SPRING AND/OR STEM SEAL :FOR 1 VEHICLE .....	2.3

Ref. No.	Part No.	Description	Reqd. QTY			Serial No.	Parts catalogue code
			J	K	M		
1	12209-GB4-682	SEAL, VALVE STEM(ARAI) .....	2	2	2		
2	14100-K38-900	CAMSHAFT COMP. ....	1	1	-		
	14100-K1K-D00	.....	-	-	1		
3	14430-KRE-G00	ARM COMP., VALVE ROCKER .....	2	2	2		
5	14711-K38-900	VALVE, IN. ....	1	1	1		
6	14721-K38-900	VALVE, EX. ....	1	1	1		
7	14751-KRE-G00	SPRING, VALVE OUTER .....	2	2	2		
8	14761-KRE-G00	SPRING, VALVE INNER .....	2	2	2		
9	14771-KRE-G00	RETAINER, VALVE SPRING .....	2	2	2		
10	14777-KRE-G00	SEAT, VALVE SPRING .....	2	2	2		
11	14781-MA6-000	COTTER, VALVE .....	4	4	4		
12	90012-KK3-830	SCREW, TAPPET ADJUSTING .....	2	2	2		
13	90206-250-000	NUT, TAPPET ADJUSTING .....	2	2	2		
14	14451-K68-900	SHAFT, IN. ROCKER ARM .....	1	1	1		
15	14452-K68-900	SHAFT, EX. ROCKER ARM .....	1	1	1		



# E-4

# CAM CHAIN/TENSIONER



Ref. No.	L.O.N.	(Relative ref. Number) Description	F.R.T.
1	1111Q4	SPROCKET, CAM .....	0.8
2	110140	CHAIN, CAM .....	1.4
3	111130	TENSIONER, CAM CHAIN .....	1.3
5	111133	LIFTER, TENSIONER .....	0.1
7	111139	GUIDE, CAM CHAIN .....	2.1

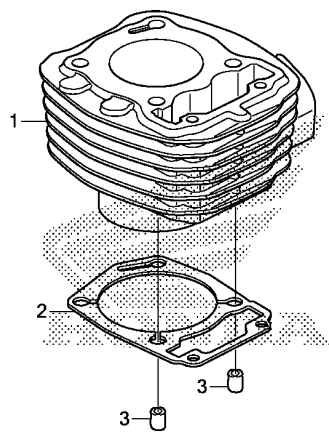
KOE8E0400

Ref. No.	Part No.	Description	Reqd. QTY			Serial No.	Parts catalogue code
			CBF160FS				
			J	K	M		
1	14321-KRM-840	SPROCKET, CAM(34T) .....	1	1	1		
2	14401-KRE-G01	CHAIN, CAM(98L)(DAIDO) .....	1	1	1		
3	14510-KRE-G00	TENSIONER ASSY., CAM CHAIN ..	1	1	1		
4	14515-KRE-G00	PLATE, TENSIONER SETTING .....	1	1	1		
5	14520-K38-901	LIFTER ASSY., TENSIONER .....	1	1	1		
6	14560-KSP-910	GASKET, TENSIONER LIFTER .....	1	1	1		
7	14611-KRE-G00	GUIDE, CAM CHAIN .....	1	1	1		
8	90005-K15-900	SCREW, PAN, 6X6 .....	1	1	1		
9	90083-KRM-840	BOLT, KNOCK, 5MM .....	2	2	2		
10	91306-KRM-840	O-RING, 1.5X9.5 .....	1	1	1		
11	95701-06016-00	BOLT, FLANGE, 6X16 .....	1	1	1		
12	96001-06022-00	BOLT, FLANGE, 6X22 .....	2	2	2		

2

E-5

CYLINDER



←FR.

KOE8E0500

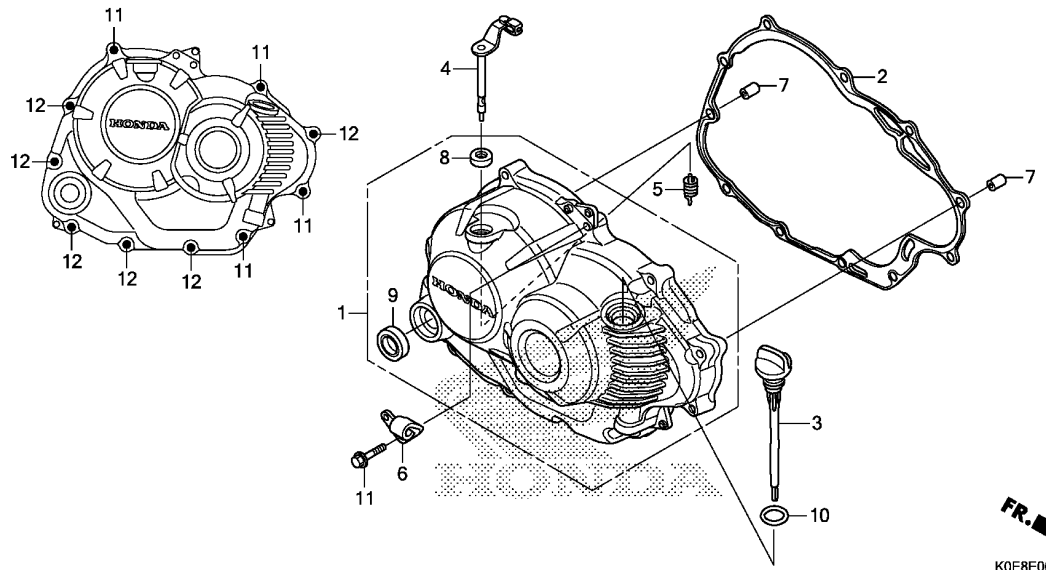
Ref. No.	L.O.N.	(Relative ref. Number) Description	F.R.T.
1	1111A5	CYLINDER .....	2.3
2	111102	GASKET, CYLINDER .....	2.2

Ref. No.	Part No.	Description	Reqd. QTY			Serial No.	Parts catalogue code
			CBF160FS	J	K		
1	12100-K38-900	CYLINDER COMP. ....	1	1	1		
2	12191-KRE-G00	GASKET, CYLINDER .....	1	1	-		
	12191-K70-630	.....	-	-	1		
3	90701-KRE-G00	DOWEL PIN, SPECIAL, 10X12 ...	2	2	2		



# E-6

# RIGHT CRANKCASE COVER



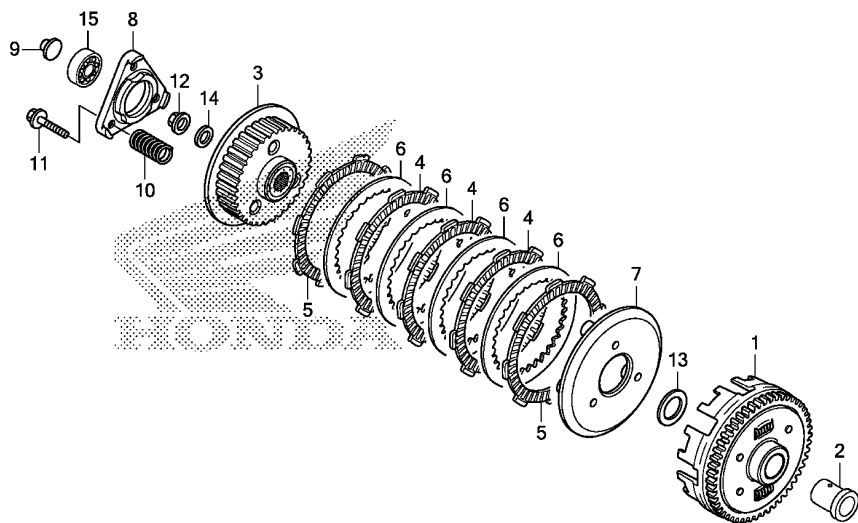
Ref. No.	L.O.N.	(Relative ref. Number) Description	F.R.T.
1	110159	COVER, CRANKCASE :RIGHT .....	0.4
2	110158	GASKET, CRANKCASE COVER :RIGHT (5,8)	0.4
4	2121A7	LEVER, CLUTCH .....	0.4
9	112105	OIL SEAL, KICK STARTER SPINDLE	0.4

FR. K0E8E0600

Ref. No.	Part No.	Description	Reqd. QTY			Serial No.	Parts catalogue code
			CBF160FS				
			J	K	M		
1	11300-K38-900	COVER ASSY., R. CRANKCASE ...	1	1	1		
2	11393-KRE-G01	GASKET, R. COVER .....	1	1	1		
3	15651-K38-900	GAUGE, OIL LEVEL .....	1	1	1		
4	22810-KRE-G00	LEVER COMP., CLUTCH .....	1	1	1		
5	22815-KM7-700	SPRING, CLUTCH LEVER .....	1	1	1		
6	22821-K43-900	RECEIVER, CLUTCH CABLE .....	1	1	1		
7	90702-KRM-840	DOWEL PIN, 8X14 .....	2	2	2		
8	91202-KSP-911	OIL SEAL, 12X18X4 .....	1	1	1		
9	91204-KSP-911	OIL SEAL, 16X28X7 (ARAI) .....	1	1	1		
10	91307-KRM-840	O-RING, 18X3 .....	1	1	1		
11	96001-06030-00	BOLT, FLANGE, 6X30 .....	5	5	5		
12	96001-06040-00	BOLT, FLANGE, 6X40 .....	6	6	6		

E-8

CLUTCH



KOE8E0800

Ref. No.	L.O.N.	(Relative ref. Number) Description	F.R.T.
1	2121A0	OUTER, CLUTCH .....	0.8
3	212112	CENTER, CLUTCH .....	0.8
4	2121A1	(5,6,7) DISC, CLUTCH FRICTION .....	0.8
		.NOTE: Same time for two units or more	
8	2121A4	PLATE, CLUTCH LIFTER .....	0.5
9	2121B6	ROD, CLUTCH LIFTER .....	0.4
10	212107	SPRING, CLUTCH .....	0.5
		.NOTE: Same time for two units or more	
15	2121B4	BEARING, CLUTCH LIFTER .....	0.4

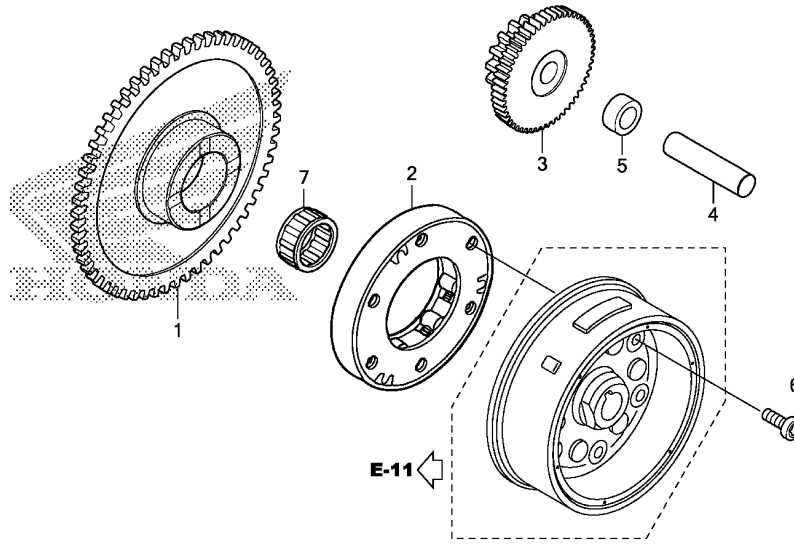
Ref. No.	Part No.	Description	Reqd. QTY			Serial No.	Parts catalogue code
			J	K	M		
1	22100-KOE-D01	OUTER COMP., CLUTCH(69T) ....	1	1	1		
2	22115-KRE-G00	GUIDE, CLUTCH OUTER .....	1	1	1		
3	22120-KVS-J01	CENTER, CLUTCH .....	1	1	1		
4	22201-KOE-D01	DISK, CLUTCH FRICTION(4X8X45) .....	3	3	-		
	22201-K1K-D01	DISK, CLUTCH FRICTION .....	-	-	3		
5	22201-KRE-G01	DISK, CLUTCH FRICTION(F.C.C.) .....	2	2	-		
	22202-K1K-D01	DISK, CLUTCH FRICTION .....	-	-	2		
6	22321-KOE-D01	PLATE, CLUTCH .....	4	4	-		
	22321-KTE-D01	.....	-	-	4		
7	22355-KVS-J01	PLATE, CLUTCH PRESSURE .....	1	1	1		
8	22361-KVS-J01	PLATE, CLUTCH LIFTER .....	1	1	1		
9	22366-KRM-840	ROD, CLUTCH LIFTER .....	1	1	1		
10	22401-KVS-J01	SPRING, CLUTCH .....	3	3	-		
	22401-K1K-D01	.....	-	-	3		
11	90008-KRM-840	BOLT, FLANGE, 6X25 .....	3	3	3		
12	90202-KRM-840	NUT, SPECIAL FLANGE, 14MM ...	1	1	1		
13	90401-KRM-B10	WASHER, PLAIN, 17MM .....	1	1	1		
	90401-KVS-740	.....	1	1	1		
14	90501-KPT-A00	WASHER, 14.1X29X2.8 .....	1	1	1		
15	96100-60030-00	BEARING, RADIAL BALL, 6003 ..	1	1	1		





E-9

STARTING CLUTCH



Ref. No.	L.O.N.	(Relative ref. Number) Description	F.R.T.
1	612120	(7) GEAR, STARTER DRIVEN .....	0.5
2	6121A2	CLUTCH, STARTING ONE WAY .....	0.6
3	612125	GEAR, STARTER REDUCTION .....	0.5

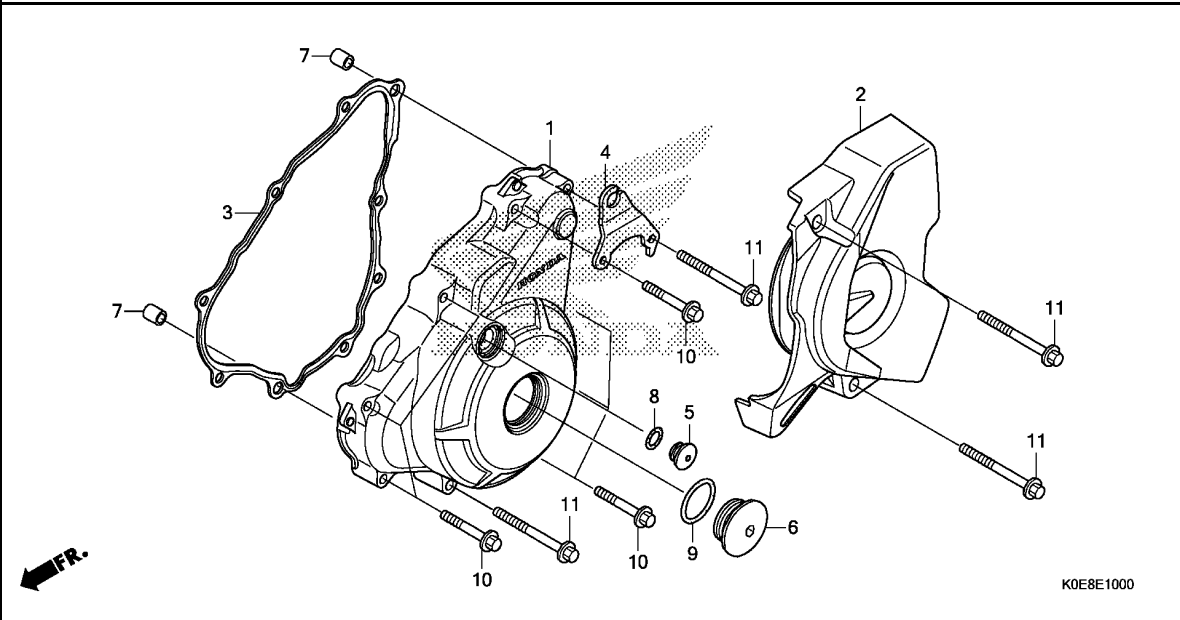
FR.

KOE8E0900

Ref. No.	Part No.	Description	Reqd. QTY			Serial No.	Parts catalogue code
			CBF160FS	J	K		
1	28110-KRE-G00	GEAR, STARTER DRIVEN(62T) ...	1	1	-		
	28110-K1K-D00	.....	-	-	1		
2	28120-KPH-701	CLUTCH ASSY., ONE WAY(EXEDY)	1	1	1		
3	28131-KRE-G01	GEAR, STARTER REDUCTION (14/60T)	1	1	1		
4	28132-KN6-930	SHAFT, REDUCTION GEAR .....	1	1	1		
5	28133-KRM-850	COLLAR, STARTER REDUCTION ...	1	1	1		
6	90085-KSP-901	BOLT, SOCKET, 6MM .....	6	6	6		
7	91022-K38-901	BEARING, NEEDLE, 22X29X16.8 .	1	1	1		

# E-10

# LEFT CRANKCASE COVER



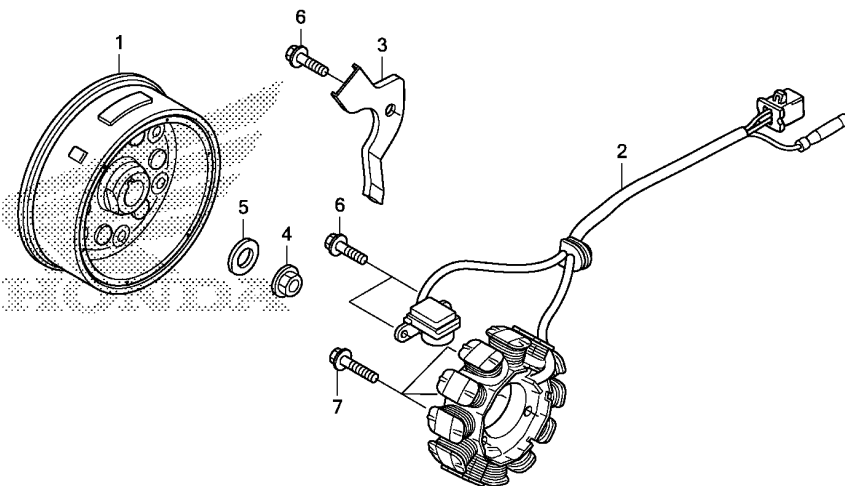
Ref. No.	L.O.N.	(Relative ref. Number) Description	F.R.T.
1	1101A6	COVER, CRANKCASE :LEFT .....	0.5
2	1101B0	COVER, CRANKCASE :LEFT REAR ..	0.1
3	1101A3	GASKET, CRANKCASE COVER :LEFT	0.4

Ref. No.	Part No.	Description	Reqd. QTY			Serial No.	Parts catalogue code
			CBF160FS	J	K		
1	11341-KOE-D00	COVER, L. CRANKCASE .....	1	1	-		
	11341-KOE-D50	.....	-	-	1		
2	11360-KOE-D00	COVER COMP., L. RR. ....	1	1	-		
	11360-KOE-D50	.....	-	-	1		
3	11395-KRE-G01	GASKET, L. COVER .....	1	1	1		
4	17952-K38-900	STAY, CHOKE CABLE .....	1	1	-		
5	90084-K38-940	CAP, 14MM .....	1	1	1		
6	90087-KSP-860	CAP, 32MM .....	1	1	1		
7	90702-KRM-840	DOWEL PIN, 8X14 .....	2	2	2		
8	91303-KRM-840	O-RING, 13.8X2.5 .....	1	1	1		
9	91305-KRM-840	O-RING, 31.7X2.4 .....	1	1	1		
10	96001-06035-00	BOLT, FLANGE, 6X35 .....	7	7	7		
11	96001-06045-00	BOLT, FLANGE, 6X45 .....	4	4	4		



# E-11

# GENERATOR



FR.

KOE8E1100

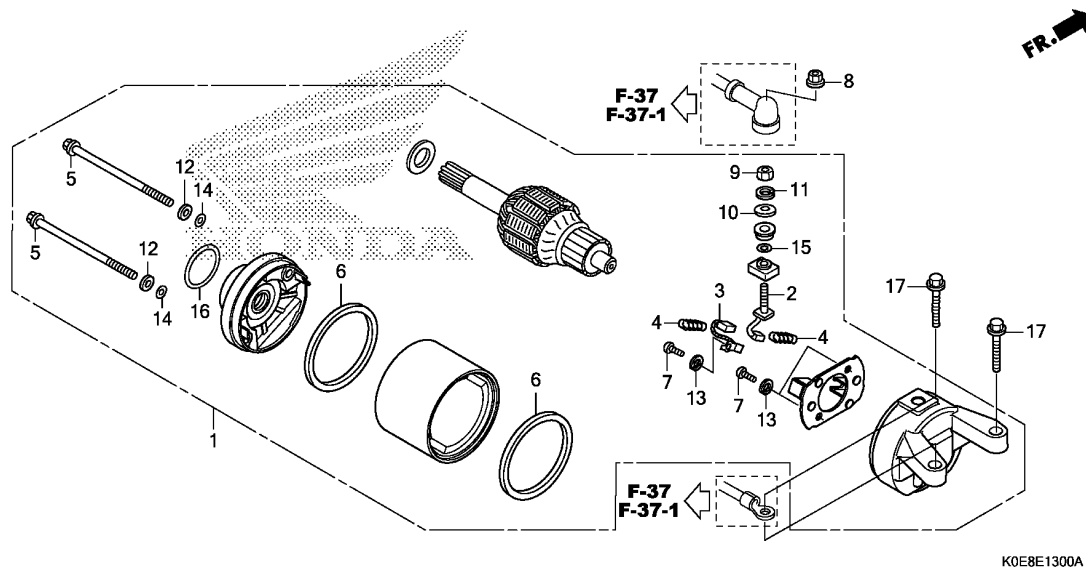
Ref. No.	L.O.N.	(Relative ref. Number) Description	F.R.T.
1	613105	ROTOR OR FLYWHEEL .....	0.6
2	6131A3	STATOR .....	0.7

Ref. No.	Part No.	Description	Reqd. QTY			Serial No.	Parts catalogue code
			CBF160FS	J	K		
1	31110-K38-901	FLYWHEEL COMP.(MITSUBA) .....	1	1	-		
	31110-K1K-D01	FLYWHEEL COMP. ....	-	-	1		
2	31120-K43-901	STATOR COMP.(MITSUBA) .....	1	1	-		
	31120-K1K-D01	STATOR COMP. ....	-	-	1		
3	32111-KRE-G00	CLAMPER, A.C. GENERATOR CORD	1	1	1		
4	90201-KRM-840	NUT, FLANGE, 14MM .....	1	1	1		
5	90501-KPT-A00	WASHER, 14.1X29X2.8 .....	1	1	1		
6	96001-06016-00	BOLT, FLANGE, 6X16 .....	3	3	-		
	96600-06016-00	BOLT, SOCKET, 6X16 .....	-	-	3		
7	96001-06022-00	BOLT, FLANGE, 6X22 .....	3	3	-		
	96600-06022-00	BOLT, SOCKET, 6X22 .....	-	-	3		

2

# E-13

# STARTER MOTOR



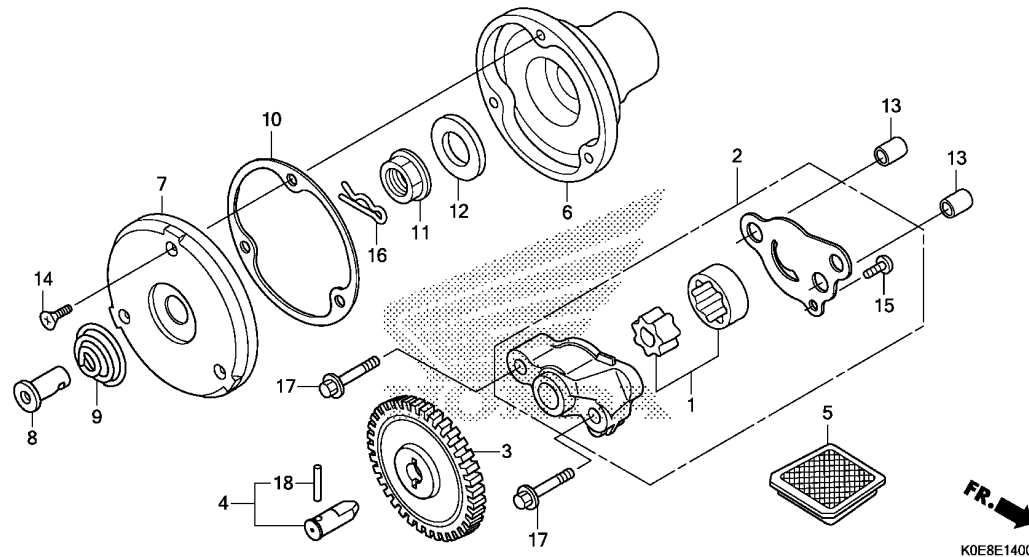
Ref. No.	L.O.N.	(Relative ref. Number) Description	F.R.T.
1		(16)	
612105		MOTOR, STARTING .....	0.4
2		(3,4,6)	
6121A4		TERMINAL, BRUSH(STARTER) .....	0.6
.NOTE: Same time for two units			

Ref. No.	Part No.	Description	Reqd. QTY			Serial No.	Parts catalogue code
			CBF160FS				
			J	K	M		
1	31200-KOE-D01	MOTOR ASSY., STARTER(VARROC)	1	1	1		
2	31201-KTE-D01	BRUSH SET, TERMINAL(VARROC)	1	1	1		
3	31202-KTE-D01	BRUSH, CARBON .....	1	1	1		
4	31204-KTE-D01	SPRING, BRUSH(VARROC) .....	2	2	2		
5	31205-KTE-D01	BOLT, TIE(VARROC) .....	2	2	2		
6	31207-KTE-D01	SEAL, YOKE .....	2	2	2		
7	31208-KOE-D01	SCREW, 4X7 .....	3	3	3		
8	90071-KTE-D00	NUT-WASHER, 6MM .....	1	1	1		
9	90201-KTE-D01	NUT, 6MM .....	1	1	1		
10	90401-KTE-D01	WASHER, PLAIN .....	1	1	1		
11	90402-KTE-D01	WASHER, SPRING .....	1	1	1		
12	90403-KTE-D01	WASHER, PLAIN .....	2	2	2		
13	90404-KTE-D01	WASHER, SPRING .....	3	3	3		
14	91301-KTE-D01	O-RING(TIE BOLT) .....	2	2	2		
15	91302-KTE-D01	O-RING(TERMINAL) .....	1	1	1		
16	91303-KTE-D01	O-RING(MOUNTING) .....	1	1	1		
17	95701-06022-00	BOLT, FLANGE, 6X22 .....	2	2	2		



# E-14

# OIL PUMP

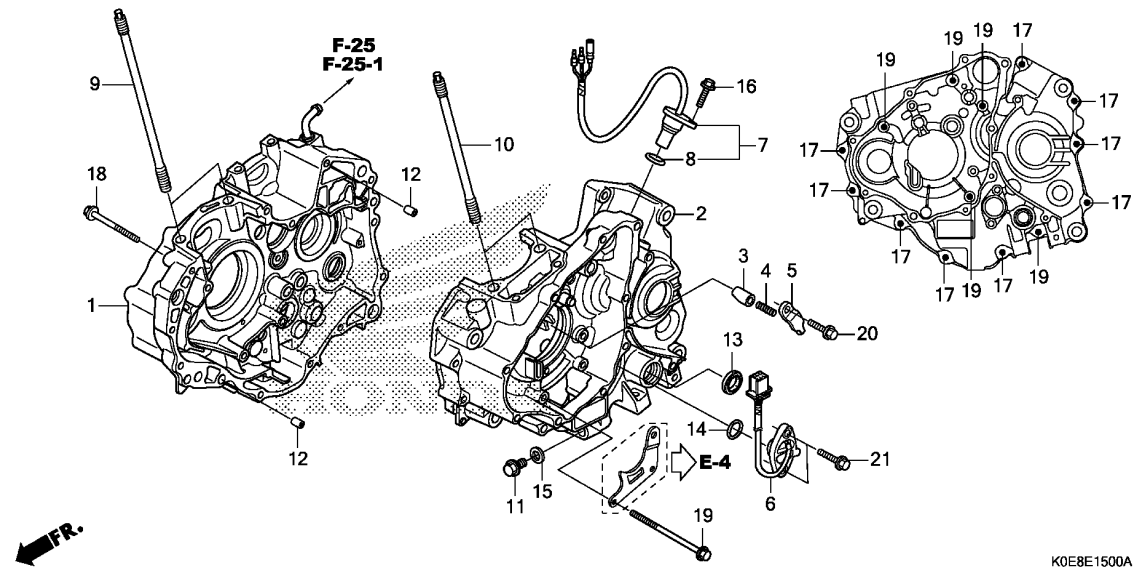


Ref. No.	L.O.N.	(Relative ref. Number) Description	F.R.T.
2		(1)	
	113105	PUMP ASSY., OIL .....	0.5
	1131C4	GEAR, OIL PUMP DRIVEN .....	0.4
	1131B5	SCREEN, OIL FILTER .....	0.4
	1101L0	ROTOR, OIL FILTER .....	0.5
	1101L1	CAP, OIL FILTER ROTOR .....	0.5

Ref. No.	Part No.	Description	Reqd. QTY			Serial No.	Parts catalogue code
			CBF160FS				
			J	K	M		
1	15021-KRE-G00	ROTOR SET A, OIL PUMP .....	1	1	1		
	15022-KRE-G00	ROTOR SET B, OIL PUMP .....	1	1	1		
2	15100-KRE-G00	PUMP ASSY., OIL .....	1	1	1		
3	15133-K38-900	GEAR, OIL PUMP DRIVEN(33T) ..	1	1	1		
4	15135-KRE-G00	SHAFT COMP., OIL PUMP .....	1	1	1		
5	15421-KSP-910	SCREEN, OIL FILTER .....	1	1	1		
6	15430-KRE-G00	ROTOR, OIL FILTER .....	1	1	1		
7	15436-KRM-840	CAP, OIL FILTER ROTOR .....	1	1	1		
8	15441-KCS-650	THROUGH, OIL .....	1	1	1		
9	15446-107-000	SPRING, OIL THROUGH .....	1	1	1		
10	15459-KWK-900	GASKET, OIL FILTER CAP .....	1	1	-		
	15459-K70-630	.....	-	-	1		
11	90202-KRM-840	NUT, SPECIAL FLANGE, 14MM ...	1	1	1		
12	90501-KPT-A00	WASHER, 14.1X29X2.8 .....	1	1	1		
13	90702-KRM-840	DOWEL PIN, 8X14 .....	2	2	2		
14	93700-05012-0A	SCREW, OVAL, 5X12 .....	3	3	3		
15	93901-34120	SCREW, TAPPING, 4X8 .....	1	1	1		
16	94251-08000	PIN, LOCK, 8MM .....	1	1	1		
17	95701-06035-00	BOLT, FLANGE, 6X35 .....	2	2	2		
18	96220-30168	ROLLER, 3X16.8 .....	1	1	1		

# E-15

# CRANKCASE



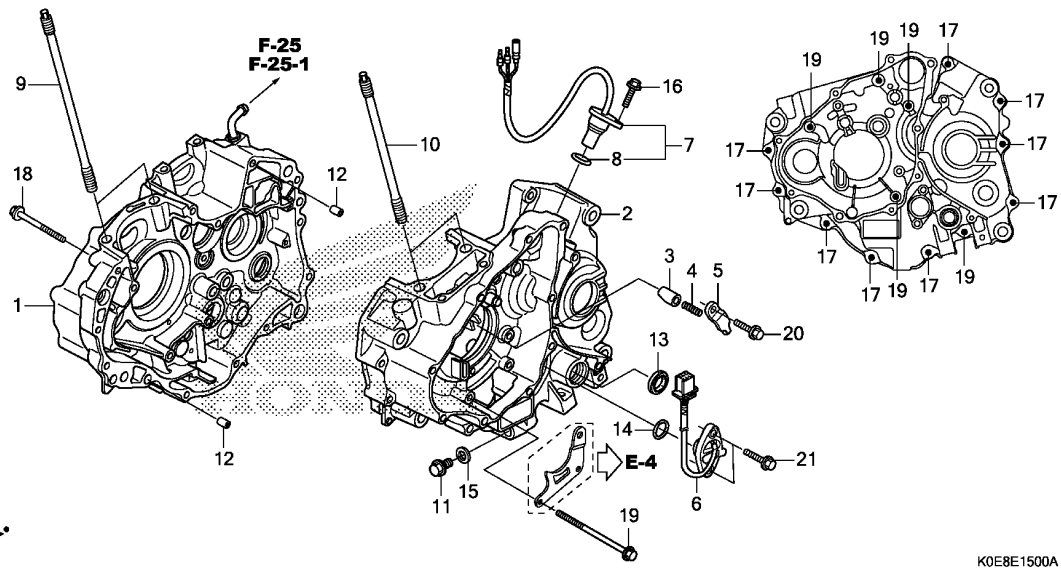
Ref. No.	L.O.N.	(Relative ref. Number) Description	F.R.T.
1	110120	CRANKCASE :RIGHT ..... .INCLUDES: Engine removal and installation	5.1
	1101P1	CRANKCASE(A) :RIGHT ..... .INCLUDES: Engine removal and installation .NOTE: PGM-FI type	5.1
2	110115	CRANKCASE :LEFT ..... .INCLUDES: Engine removal and installation	4.8
	1101N9	CRANKCASE(A) :LEFT ..... .INCLUDES: Engine removal and installation .NOTE: PGM-FI type	4.6
	1101A2	CRANKCASE :BOTH ..... .INCLUDES: Engine removal and installation	6.0
	1101P0	CRANKCASE(A) :BOTH ..... .INCLUDES: Engine removal and installation .NOTE: PGM-FI type	5.8
6	6151B8	SWITCH, NEUTRAL .....	0.4
7	617198	SENSOR, SPEEDOMETER .....	0.4
	6171E9	SENSOR, SPEEDOMETER(A) .....	0.5
		.NOTE: PGM-FI type	

Ref. No.	Part No.	Description	Reqd. QTY			Serial No.	Parts catalogue code
			CBF160FS	J	K		
1	11100-K38-900	CRANKCASE COMP., R. ....	1	1	1		
2	11200-K38-900	CRANKCASE COMP., L. ....	1	1	-		
	11200-K1K-D00	.....	-	-	1		
3	11215-KRM-840	PLUG, BEARING PUSH .....	1	1	1		
4	11216-KRM-840	SPRING, BEARING PUSH .....	1	1	1		
5	11217-KRM-840	PLATE, BEARING PUSH .....	1	1	1		
6	35759-KOE-D01	CONTACT ASSY., CHANGE SWITCH .....	1	1	-		
	35759-KOE-D51	.....	-	-	1		
7	37700-K43-901	SENSOR ASSY., SPEED .....	1	1	-	----- BA,1D,SL	
	37700-K43-DC1	.....	-	-	1	----- 3BA,3ID	
8	37701-K38-901	O-RING, 17.7X2.4 .....	1	1	1		
9	90031-KRE-G00	BOLT A, CYLINDER STUD, 204.5MM	2	2	2		
10	90032-KRE-G00	BOLT B, CYLINDER STUD, 168.5MM	2	2	2		
11	90131-KRM-840	BOLT, DRAIN PLUG, 12MM .....	1	1	1		
12	90702-KRM-840	DOWEL PIN, 8X14 .....	2	2	2		
13	91203-KSP-911	OIL SEAL, 14X22X5 (ARAI) .....	1	1	1		
14	91305-KPH-900	O-RING, 19.4X2.3 .....	1	1	1		
15	94109-12000	WASHER, DRAIN PLUG, 12MM .....	1	1	1		
16	95701-06016-00	BOLT, FLANGE, 6X16 .....	1	1	1		
17	95701-06040-00	BOLT, FLANGE, 6X40 .....	9	9	9		
18	95701-06045-00	BOLT, FLANGE, 6X45 .....	1	1	1		
19	95701-06070-00	BOLT, FLANGE, 6X70 .....	6	6	6		
20	96001-06016-00	BOLT, FLANGE, 6X16 .....	1	1	1		
21	96001-06020-00	BOLT, FLANGE, 6X20 .....	2	2	2		



# E-15

# CRANKCASE

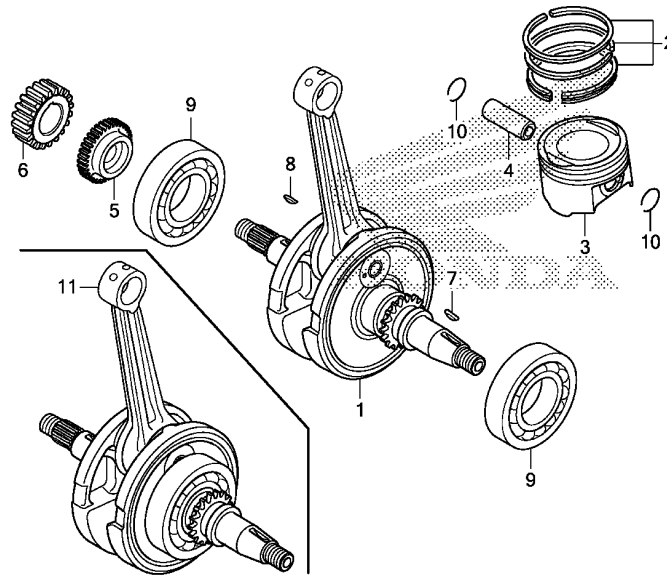


Ref. No.	L.O.N. (Relative ref. Number)	Description	F.R.T.
13	1101F9	OIL SEAL, GEARSHIFT SPINDLE ..	0.8

2

# E-16

# CRANKSHAFT/PISTON



K0E8E1600A

Ref. No.	L.O.N.	(Relative ref. Number) Description	F.R.T.
1		(11)	
1101B5		CRANKSHAFT ..... .INCLUDES: Engine removal and installation	4.3
3		(2,4,10)	
111103		PISTON RING AND/OR PISTON(ONE)	2.4
110183		GEAR, BALANCER DRIVE .....	0.8
211105		GEAR, PRIMARY DRIVE .....	0.8
1101B6		BEARING, CRANKSHAFT :LEFT .... .INCLUDES: Engine removal and installation	4.3
1101B7		BEARING, CRANKSHAFT :RIGHT ... .INCLUDES: Engine removal and installation	4.5
1101G0		BEARING, CRANKSHAFT :BOTH .... .INCLUDES: Engine removal and installation	4.7

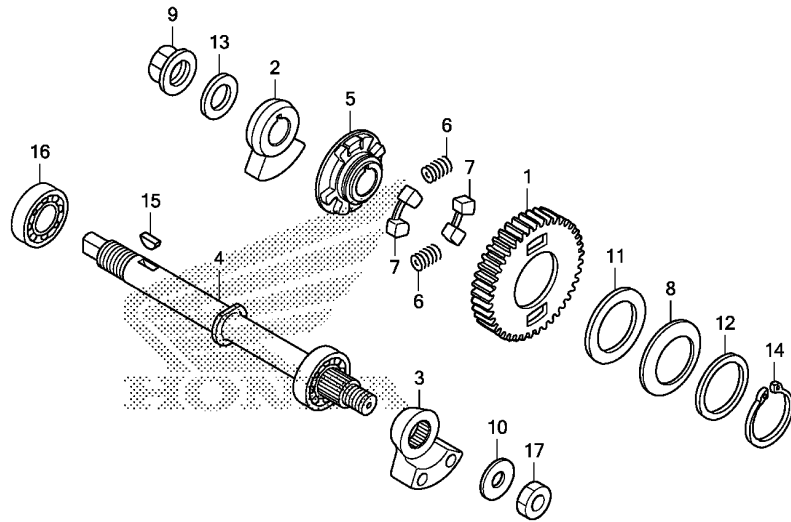
Ref. No.	Part No.	Description	Reqd. QTY			Serial No.	Parts catalogue code
			CBF160FS				
			J	K	M		
1	13000-K38-900	CRANKSHAFT COMP. ....	1	1	-		
2	13011-K38-900	RING SET, PISTON(STD.) (TPR) ..	1	1	1		
	13021-K38-900	RING SET, PISTON(0.25) (TPR) ..	(1)	(1)	(1)		
	13031-K38-900	RING SET, PISTON(0.50) (TPR) ..	(1)	(1)	(1)		
	13041-K38-900	RING SET, PISTON(0.75) (TPR) ..	(1)	(1)	(1)		
	13051-K38-900	RING SET, PISTON(1.00) (TPR) ..	(1)	(1)	(1)		
3	13101-K38-900	PISTON(STD.) .....	1	1	1		
	13102-K38-900	PISTON(0.25) .....	(1)	(1)	(1)		
	13103-K38-900	PISTON(0.50) .....	(1)	(1)	(1)		
	13104-K38-900	PISTON(0.75) .....	(1)	(1)	(1)		
	13105-K38-900	PISTON(1.00) .....	(1)	(1)	(1)		
4	13111-KSP-910	PIN, PISTON .....	1	1	1		
5	13411-K38-900	GEAR, BALANCER DRIVE(41T) ...	1	1	1		
6	23121-KRE-G00	GEAR, PRIMARY DRIVE(22T) ....	1	1	-		
	23121-K1K-D00	.....	-	-	1		
7	90741-KFB-000	KEY, WOODRUFF, 4MM .....	1	1	1		
8	90741-KGH-900	KEY, WOODRUFF, 4MM .....	1	1	1		
9	91001-K43-D41	BEARING, RADIAL BALL, 35X72X15 (FUJIKOSHI)	2	2	1		
10	94601-14000	CLIP, PISTON PIN, 14MM .....	2	2	2		
11	13000-K1K-D00	CRANKSHAFT COMP. ....	-	-	1		





# E-16-10

# BALANCER SHAFT



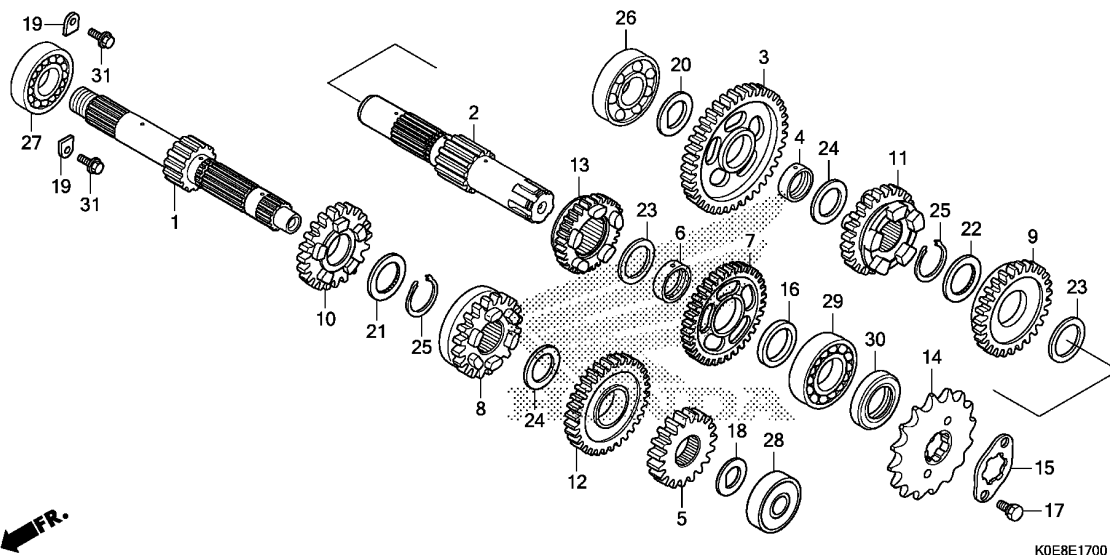
KOE8E1610

Ref. No.	L.O.N.	(Relative ref. Number) Description	F.R.T.
1		(5,6,7)	
1	1101L5	GEAR, BALANCER DRIVEN .....	0.6
4	110185	SHAFT, BALANCER .....	4.2
		.INCLUDES: Engine removal and installation	
16	1101G4	BEARING, BALANCER SHAFT :RIGHT .....	4.4
		.INCLUDES: Engine removal and installation	

Ref. No.	Part No.	Description	Reqd. QTY			Serial No.	Parts catalogue code
			CBF160FS				
			J	K	M		
1	13422-K38-900	GEAR, BALANCER DRIVEN(41T) ..	1	1	1		
2	13423-KRE-G00	WEIGHT A, BALANCER .....	1	1	1		
3	13424-KRE-G00	WEIGHT B, BALANCER .....	1	1	1		
4	13425-K38-900	SHAFT COMP., BALANCER .....	1	1	1		
5	13426-KRE-G01	BUSH, BALANCER DRIVEN GEAR ..	1	1	1		
6	13427-KRM-840	SPRING, DAMPER .....	2	2	2		
7	13428-KRM-840	RUBBER, DAMPER .....	2	2	2		
8	13538-KRM-840	SPRING, THRUST .....	1	1	1		
9	90202-KRM-840	NUT, SPECIAL FLANGE, 14MM ...	1	1	1		
10	90401-KRE-G00	WASHER, 12.2X24X2.6 .....	1	1	1		
11	90403-KRM-840	WASHER, 28.1X45X1.4 .....	1	1	1		
12	90458-KRE-G00	WASHER, THRUST, 28.2X36X1.0 ..	1	1	1		
13	90501-KPT-A00	WASHER, 14.1X29X2.8 .....	1	1	1		
14	90604-KRM-840	CIRCLIP, EXTERNAL, 28MM .....	1	1	1		
	94510-28000	.....	1	1	1		
15	90741-KGH-900	KEY, WOODRUFF, 4MM .....	1	1	1		
16	91004-K38-901	BEARING, RADIAL BALL, 15X35X11	1	1	1		
17	94002-12200-0S	NUT, HEX., 12MM .....	1	1	1		

E-17

TRANSMISSION



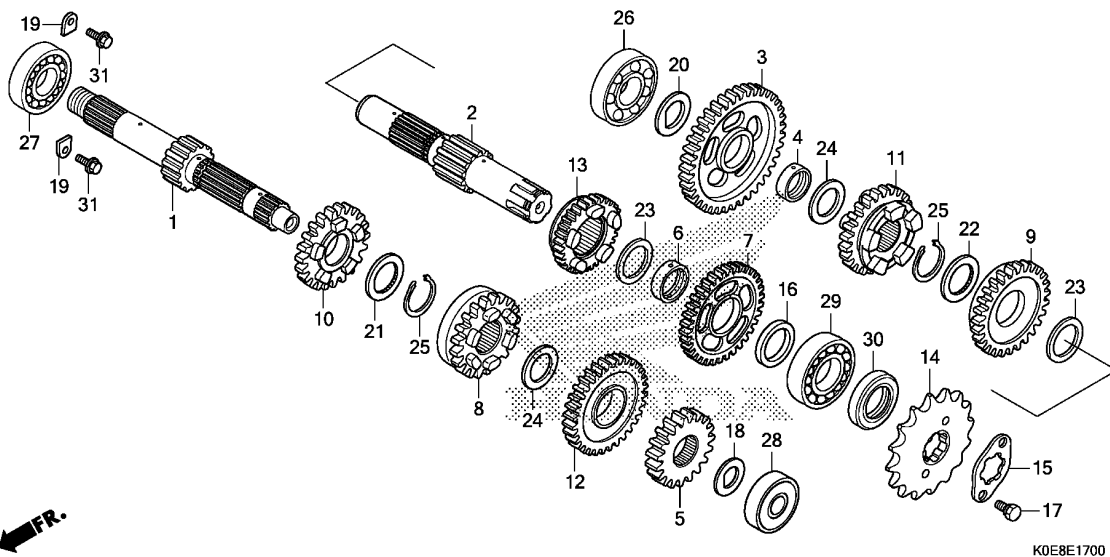
Ref. No.	L.O.N.	(Relative ref. Number) Description	F.R.T.
1	210141	(5,8,10,12) MAINSHAFT, TRANSMISSION ..... .INCLUDES: Engine removal and installation	4.4
	210141A	.Replace countershaft add ....	0.2
2	210142	(3,7,9,11,13) COUNTERSHAFT, TRANSMISSION ... .INCLUDES: Engine removal and installation	4.4
	210142A	.Replace mainshaft add .....	0.2
14	213135	SPROCKET, DRIVE .....	0.3
26	2101C8	BEARING, COUNTERSHAFT :RIGHT - .INCLUDES: Engine removal and installation	4.5
27	2101C5	BEARING, MAINSHAFT :RIGHT .... .INCLUDES: Engine removal and installation	4.5
28	2101C2	BEARING, MAINSHAFT :LEFT ..... .INCLUDES: Engine removal and installation	4.3
	2101C6	BEARING, MAINSHAFT :BOTH ..... .INCLUDES: Engine removal and installation	4.7
+29	2101C7	BEARING, COUNTERSHAFT :LEFT ..	4.3

Ref. No.	Part No.	Description	Reqd. QTY			Serial No.	Parts catalogue code
			CBF160FS	J	K		
1	23210-K38-900	MAINSHAFT COMP.(13T) .....	1	1	-		
	23210-K1K-D00	.....	-	-	1		
2	23221-K43-900	COUNTERSHAFT .....	1	1	-		
	23221-K0E-D50	.....	-	-	1		
3	23421-K43-900	GEAR, COUNTERSHAFT FIRST(40T)	1	1	1		
4	23427-KRM-840	BUSH, 17X20.5X8.0 .....	1	1	1		
5	23431-K43-900	GEAR, MAINSHAFT SECOND(19T) -	1	1	1		
6	23432-KRM-840	BUSH, 20MM .....	1	1	1		
7	23441-K43-900	GEAR, COUNTERSHAFT SECOND(34T)	1	1	1		
8	23451-K43-900	GEAR, MAINSHAFT THIRD(20T) ..	1	1	-		
	23451-K1K-D00	.....	-	-	1		
9	23461-K43-900	GEAR, COUNTERSHAFT THIRD(26T)	1	1	1		
10	23471-K43-900	GEAR, MAINSHAFT FOURTH(30T) -	1	1	-		
	23471-K1K-D00	.....	-	-	1		
11	23481-K43-900	GEAR, COUNTERSHAFT FOURTH(32T)	1	1	-		
	23481-K1K-D00	.....	-	-	1		
12	23491-K43-900	GEAR, MAINSHAFT FIFTH(24T) ..	1	1	-		
	23491-K1K-D00	.....	-	-	1		
13	23501-K43-900	GEAR, COUNTERSHAFT FIFTH(22T)	1	1	1		
14	23801-KBP-900	SPROCKET, DRIVE(15T) .....	1	1	1		
15	23811-KR3-600	PLATE A2, FIXING .....	1	1	1		
16	23911-KRE-G00	COLLAR, 20MM .....	1	1	1		
17	90084-041-000	BOLT, DRIVE SPROCKET FIXING ..	2	2	2		
18	90412-KPH-900	WASHER, SPECIAL, 12X23 .....	1	1	1		
19	90441-KRM-840	PLATE, BEARING HOLDER .....	2	2	2		
20	90451-KRE-G00	WASHER, SPECIAL, 17MM .....	1	1	1		



E-17

TRANSMISSION

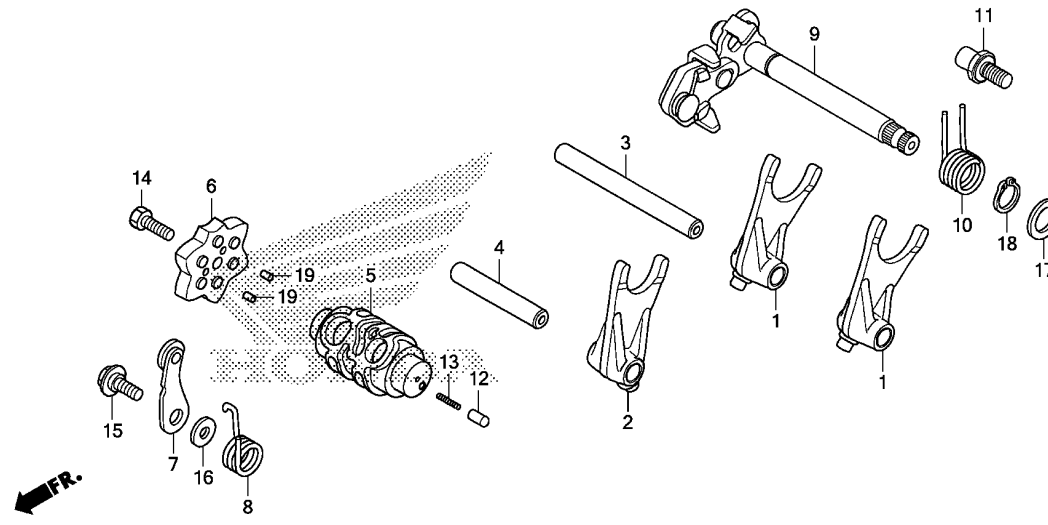


Ref. No.	L.O.N.	(Relative ref. Number) Description	F.R.T.
+29		.INCLUDES: Engine removal and installation	
2101C9		BEARING, COUNTERSHAFT :BOTH ..	4.7
2101D4		BEARING, MAINSHAFT AND COUNTERSHAFT :ALL .....	4.9
30	2101G7	OIL SEAL, COUNTERSHAFT :LEFT .	4.2

Ref. No.	Part No.	Description	Reqd. QTY			Serial No.	Parts catalogue code
			CBF160FS	J	K		
21	90453-KVS-900	WASHER, SPLINE, 20MM .....	1	1	1		
	90453-KVX-600	.....	1	1	1		
22	90453-KVS-900	WASHER, SPLINE, 20MM .....	1	1	1		
23	90454-KPS-900	WASHER B, THRUST, 20MM .....	2	2	2		
24	90458-KVS-900	WASHER, THRUST, 17MM .....	2	2	2		
25	90605-KVS-900	SET RING, 20MM .....	2	2	2		
26	91003-K38-901	BEARING, RADIAL BALL, 17X42X12	1	1	1		
27	91004-KTN-900	BEARING, RADIAL BALL, 17X40X12	1	1	1		
28	91005-K38-901	BEARING, RADIAL BALL, 12X32X10	1	1	1		
29	91006-K38-901	BEARING, RADIAL BALL, 20X52X15	1	1	-		
	91013-KYJ-711	BEARING, RADIAL BALL, 6304 ..	-	-	1		
30	91216-KSP-911	OIL SEAL, 20X34X7(ARAI) .....	1	1	1		
31	95701-06016-00	BOLT, FLANGE, 6X16 .....	2	2	2		

# E-19

# GEARSHIFT DRUM



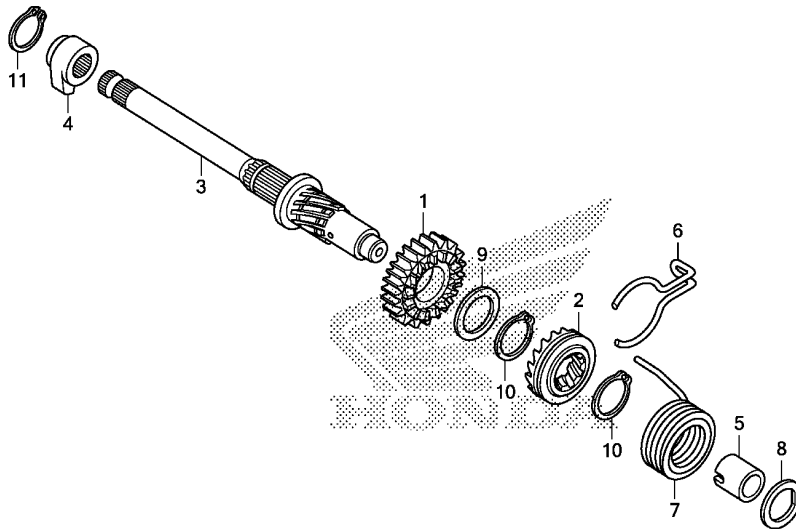
Ref. No.	L.O.N.	(Relative ref. Number) Description	F.R.T.
1	(2)	210112 FORK, GEARSHIFT .....	4.1
		.INCLUDES: Engine removal and installation .NOTE: Same time for two units or more	
5	2101A9	DRUM, GEARSHIFT .....	4.2
		.INCLUDES: Engine removal and installation	
6	2101D6	PLATE, GEARSHIFT DRUM STOPPER (8)	0.8
7	210125	STOPPER OR SPRING, SHIFT DRUM (10)	0.8
9	210122	SPINDLE, GEARSHIFT .....	0.8

Ref. No.	Part No.	Description	Reqd. QTY			Serial No.	Parts catalogue code
			CBF160FS	J	K		
1	24211-KOE-D00	FORK, GEARSHIFT .....	2	2	-		
	24211-K1K-D00	.....	-	-	2		
2	24212-KOE-D00	FORK, CENTER GEARSHIFT .....	1	1	-		
	24212-K1K-D00	.....	-	-	1		
3	24241-KRM-840	SHAFT A, GEARSHIFT FORK .....	1	1	-		
	24241-K1K-D00	.....	-	-	1		
4	24242-KRM-840	SHAFT B, GEARSHIFT FORK .....	1	1	-		
	24242-K1K-D00	.....	-	-	1		
5	24301-KRE-G00	DRUM, GEARSHIFT .....	1	1	1		
6	24410-K67-A00	PLATE COMP., GEARSHIFT DRUM STOPPER	1	1	1		
7	24430-KRM-B10	STOPPER COMP., GEARSHIFT DRUM	1	1	1		
8	24436-KTT-900	SPRING, DRUM STOPPER .....	1	1	1		
9	24610-KRE-G00	SPINDLE COMP., GEARSHIFT .....	1	1	1		
10	24651-KRM-840	SPRING, GEARSHIFT RETURN .....	1	1	1		
11	24652-KRM-840	PIN, SHIFT RETURN SPRING .....	1	1	1		
12	35751-KPH-900	CAP, CHANGE SWITCH CONTACT ..	1	1	1		
13	35752-KRM-840	SPRING, CHANGE SWITCH CONTACT	1	1	1		
14	90003-KVS-900	BOLT, HEX., 6X20 .....	1	1	1		
15	90022-KRM-840	PIVOT, SHIFT DRUM STOPPER ARM	1	1	1		
16	90417-KRM-840	WASHER, DRUM STOPPER .....	1	1	1		
17	90457-KRM-840	WASHER, 14MM .....	1	1	1		
18	94510-14000	CIRCLIP, EXTERNAL, 14MM .....	1	1	1		
19	96220-30085	ROLLER, 3X8.5 .....	2	2	2		



# E-20

# KICK STARTER SPINDLE



FR.

K0E8E2000

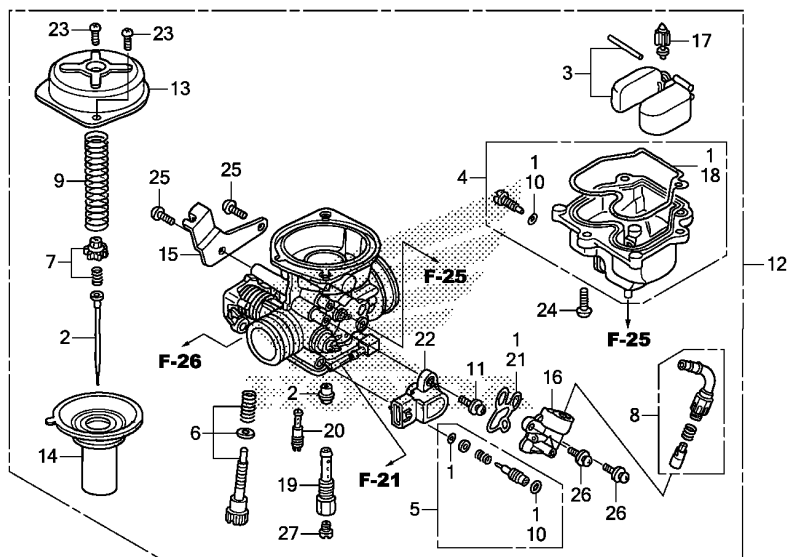
Ref. No.	L.O.N.	(Relative ref. Number) Description	F.R.T.
3	1121A2	(1,2,7) SPINDLE, KICK STARTER ..... .INCLUDES: Engine removal and installation	4.2

Ref. No.	Part No.	Description	Reqd. QTY			Serial No.	Parts catalogue code
			CBF160FS	J	K		
1	28211-K38-900	PINION, KICK STARTER(21T) ...	1	1	1		
2	28221-K38-940	RATCHET, STARTER DRIVE .....	1	1	1		
	28221-KWS-900	.....	1	1	1		
3	28251-K38-900	SPINDLE, KICK STARTER .....	1	1	1		
4	28262-KWS-900	RETAINER, KICK SPINDLE .....	1	1	1		
5	28265-KWB-600	COLLAR, KICK SPRING .....	1	1	1		
6	28271-KWB-600	SPRING, FRICTION STARTER GEAR	1	1	1		
7	28281-KWB-600	SPRING, KICK RETURN .....	1	1	1		
8	90451-KGH-900	WASHER, SPECIAL, 14MM .....	1	1	1		
9	90454-KPH-900	WASHER, 25X20.2X1 .....	1	1	1		
10	90605-200-000	SET RING, 20MM .....	2	2	2		
11	90601-K14-960	CIRCLIP, EXTERNAL, 18MM .....	1	1	1		

2

# E-22

# CARBURETOR



K0E8E2200

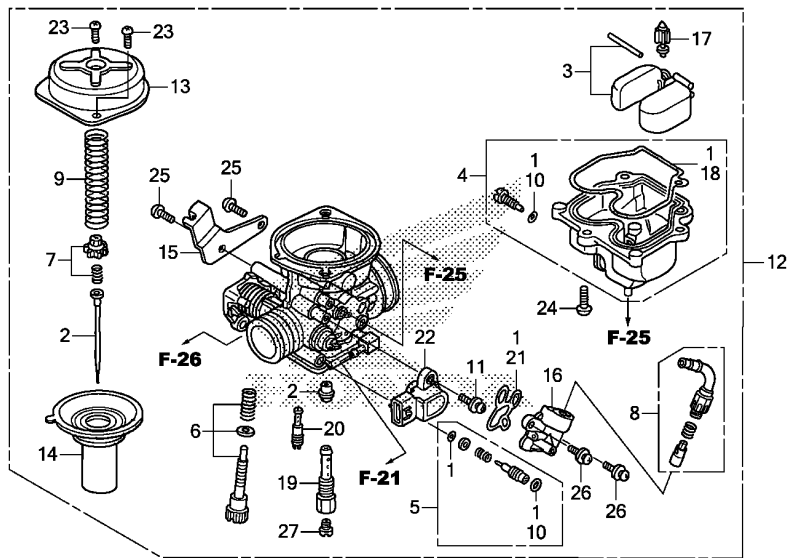
Ref. No.	L.O.N.	(Relative ref. Number) Description	F.R.T.
2	3111A3	NEEDLE, JET .....	0.7
3		(17)	
	311120	FLOAT OR FLOAT VALVE .....	0.6
4	3111A6	CHAMBER, FLOAT .....	0.5
8	311125	VALVE, STARTER .....	0.4
12	3111B5	CARBURETOR ASSEMBLY .....	0.4
14	311109	PISTON, VACUUM .....	0.5
22	617115	SENSOR, THROTTLE .....	0.6
27		(19,20)	
	3111D4	JET, MAIN .....	0.6

Ref. No.	Part No.	Description	Reqd. QTY			Serial No.	Parts catalogue code
			CBF160FS	J	K		
1	16010-KSP-911	GASKET SET .....	1	1	-		
2	16012-K43-L01	NEEDLE SET, JET .....	1	1	-		
3	16013-KRC-921	FLOAT SET .....	1	1	-		
4	16015-KSP-911	CHAMBER SET, FLOAT .....	1	1	-		
5	16016-KSP-911	SCREW SET A .....	1	1	-		
6	16028-KPP-901	SCREW SET B .....	1	1	-		
7	16037-KPP-861	PLATE SET, VALVE .....	1	1	-		
8	16046-KVC-901	VALVE SET, STARTER .....	1	1	-		
9	16050-K38-901	SPRING, COMPRESSION COIL .....	1	1	-		
10	16075-KRP-981	O-RING .....	2	2	-		
11	16080-KTN-901	SCREW-WASHER, TORX(5X16) .....	1	1	-		
12	16100-KOE-D01	CARBURETOR ASSY.(6BK A) .....	1	1	-		
13	16107-KGH-901	TOP .....	1	1	-		
14	16111-K38-901	PISTON COMP., VACUUM .....	1	1	-		
15	16119-K38-901	STAY, WIRE .....	1	1	-		
16	16140-K38-901	BODY COMP., BYSTARTER .....	1	1	-		
17	16155-KFR-701	VALVE COMP., FLOAT .....	1	1	-		
18	16163-KRP-981	GASKET, FLOAT CHAMBER .....	1	1	-		
19	16165-KOE-D01	HOLDER, NEEDLE JET .....	1	1	-		
20	16180-K38-901	JET, SLOW, #38 .....	1	1	-		
21	16423-KGH-901	GASKET, BYSTARTER .....	1	1	-		
22	37890-KTN-901	SENSOR ASSY., THROTTLE .....	1	1	-		
23	93500-04008-1H	SCREW, PAN, 4X8 .....	2	2	-		
24	93500-04012-0H	SCREW, PAN, 4X12 .....	3	3	-		
25	93500-05012-1H	SCREW, PAN, 5X12 .....	2	2	-		



# E-22

# CARBURETOR



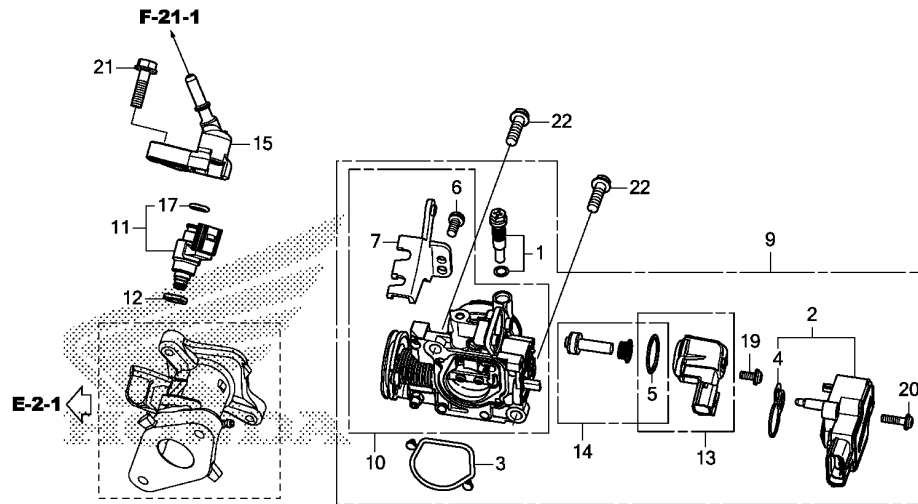
K0E8E2200

Ref. No.	Part No.	Description	Reqd. QTY			Serial No.	Parts catalogue code
			CBF160FS	J	K		
26	93892-05012-18	SCREW-WASHER, 5X12 .....	2	2	-		
27	99101-MFE-1200	JET, MAIN, #120 .....	1	1	-		

2

# E-23

# THROTTLE BODY



K0E8E2300

Ref. No.	L.O.N.	(Relative ref. Number) Description	F.R.T.
2		(4)	
617115		SENSOR, THROTTLE .....	0.9
9		(3)	
311132		BODY ASSY., THROTTLE .....	0.9
311130		BODY, THROTTLE .....	0.8
11		(12,15,17)	
311145		INJECTOR, FUEL .....	0.9
13		(5,14)	
311125		VALVE, STARTER .....	0.9

FR.

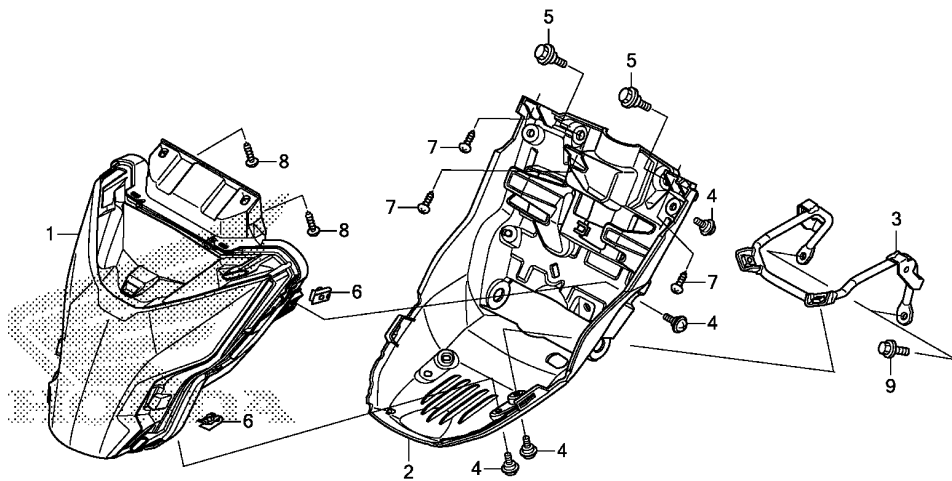
Ref. No.	Part No.	Description	Reqd. QTY			Serial No.	Parts catalogue code
			CBF160FS	J	K		
1	16016-KOL-D01	SCREW SET .....	-	-	1		
2	16010-K1K-D01	SENSOR SET .....	-	-	1		
3	16075-K1K-D01	O-RING, THROTTLE BODY .....	-	-	1		
4	16079-KOL-D01	O-RING .....	-	-	1		
5	16077-KOL-D01	O-RING, 20.4X1.9 .....	-	-	1		
6	16081-KVS-J01	SCREW-WASHER, 5X12(TORX) .....	-	-	1		
7	16169-K1K-D01	STAY, WIRE .....	-	-	1		
9	16400-K1K-D01	BODY ASSY., THROTTLE(GQMEB A) .....	-	-	1		
10	16410-K1K-D01	BODY SET .....	-	-	1		
11	16450-K1K-D00	INJECTOR ASSY., FUEL .....	-	-	1		
12	16472-KON-D01	SEAL RING, INJECTOR .....	-	-	1		
13	16480-K1K-D01	SOLENOID .....	-	-	1		
14	16485-KOL-D01	SEAT SET .....	-	-	1		
15	17560-K1K-D00	JOINT COMP., INJECTOR .....	-	-	1		
17	91301-P7A-004	O-RING, 7.8X1.9 .....	-	-	1		
19	93891-04010-18	SCREW-WASHER, 4X10 .....	-	-	2		
20	93891-04016-18	SCREW-WASHER, 4X16 .....	-	-	2		
21	95701-06022-00	BOLT, FLANGE, 6X22 .....	-	-	2		
22	96001-06020-00	BOLT, FLANGE, 6X20 .....	-	-	2		

2



F-1

HEADLIGHT



KOE8F0100

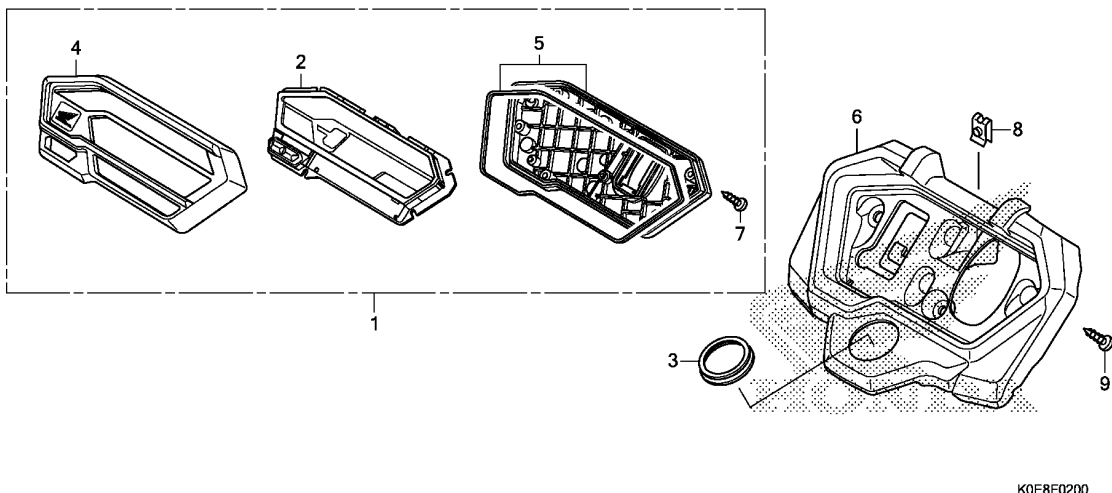
Ref. No.	L.O.N.	(Relative ref. Number) Description	F.R.T.
1	6161A7	HEADLIGHT UNIT .....	0.4
2	4131FX	COVER, HEADLIGHT :LOWER .....	0.3

3

Ref. No.	Part No.	Description	Reqd. QTY			Serial No.	Parts catalogue code
			J	K	M		
1	33100-KOE-D01	HEADLIGHT ASSY. ....	1	1	1		
2	61303-KOE-D00	COVER, HEADLIGHT RR. ....	1	1	1		
3	61312-KOE-D00	STAY COMP., RR. HEADLIGHT COVER	1	1	1		
4	90101-GEO-000	SCREW, HINGE PATCH .....	8	8	8		
5	90111-187-000	BOLT, FLANGE, 6MM .....	2	2	2		
6	90320-KTE-600	NUT, SPRING, 5MM .....	4	4	4		
7	93903-25220	SCREW, TAPPING, 5X12 .....	3	3	3		
8	93903-25320	SCREW, TAPPING, 5X16 .....	2	2	2		
9	95701-06012-07	BOLT, FLANGE, 6X12 .....	2	2	2		

**F-2**

**METER**

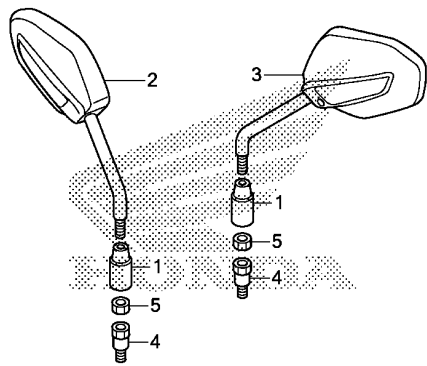


Ref. No.	L.O.N.	(Relative ref. Number) Description	F.R.T.
1	8121A1	METER ASSY., COMBINATION .....	0.4
2	8121A2	METER, COMBINATION .....	0.4
4	8121B4	CASE, METER :UPPER .....	0.3
5	8121B5	CASE, METER :LOWER .....	0.3
6	8121E3	COVER, METER .....	0.3

Ref. No.	Part No.	Description	Reqd. QTY			Serial No.	Parts catalogue code
			CBF160FS	J	K		
1	37100-KOE-D01	METER ASSY., COMBINATION(KPH)	1	-	-		
	37100-KOE-D22	.....	-	1	-	----- 3BA	
	37100-KOE-D21	.....	-	1	-	----- 3ID,ID	
	37100-KOE-D02	.....	-	1	-	----- BA	
	37100-KOE-D51	.....	-	-	1		
2	37110-KOE-D01	METER COMP., LCD	1	-	-		
	37110-KOE-D22	.....	-	1	-	----- 3BA	
	37110-KOE-D21	.....	-	1	-	----- 3ID,ID	
	37110-KOE-D02	.....	-	1	-	----- BA	
	37110-KOE-D51	.....	-	-	1		
3	37312-KOE-D00	GROMMET, COMBINATION SWITCH	1	1	1		
4	37610-KOE-D01	CASE ASSY., UPPER	1	1	-		
	37610-KOE-D51	.....	-	-	1		
5	37620-KOE-D01	CASE ASSY., UNDER	1	1	-		
	37620-KOE-D51	.....	-	-	1		
6	61310-KOE-D00	COVER, METER	1	1	1		
7	90314-KVS-F22	SCREW, TAPPING, 3X14	6	6	6		
8	90320-KTE-600	NUT, SPRING, 5MM	1	1	1		
9	93903-25320	SCREW, TAPPING, 5X16	3	3	3		

F-3

MIRROR



FR.

KOE8F0300

Ref. No.	L.O.N.	(Relative ref. Number) Description	F.R.T.
----------	--------	------------------------------------	--------

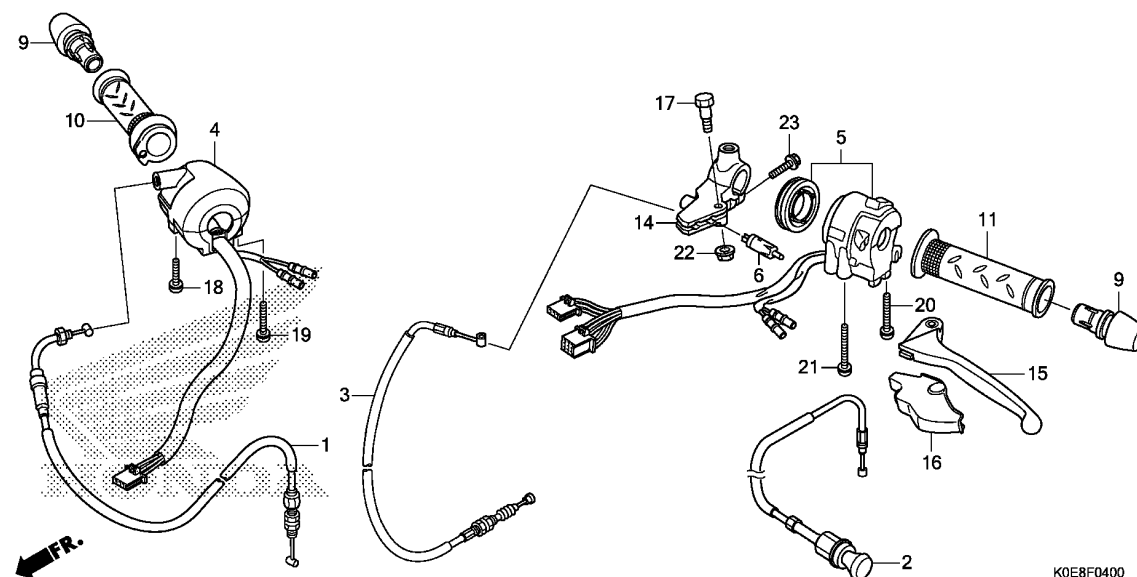
NO INFORMATION .....

3

Ref. No.	Part No.	Description	Reqd. QTY			Serial No.	Parts catalogue code
			CBF160FS	J	K		
1	88114-198-D10	CAP, LOCK NUT .....	2	2	2		
2	88210-K38-941ZA	MIRROR COMP., R. *NH1*.....BLACK	1	1	1		
3	88220-K38-941ZA	MIRROR COMP., L. *NH1*.....BLACK	1	1	1		
4	90103-K38-940	BOLT, ADAPTER, 10MM .....	2	2	2		
5	90201-MW3-620	NUT, HEX., 10MM (LEFT HAND THREAD)	2	2	2		

# F-4

# HANDLE LEVER/SWITCH/CABLE(CBF160FSJ/K)



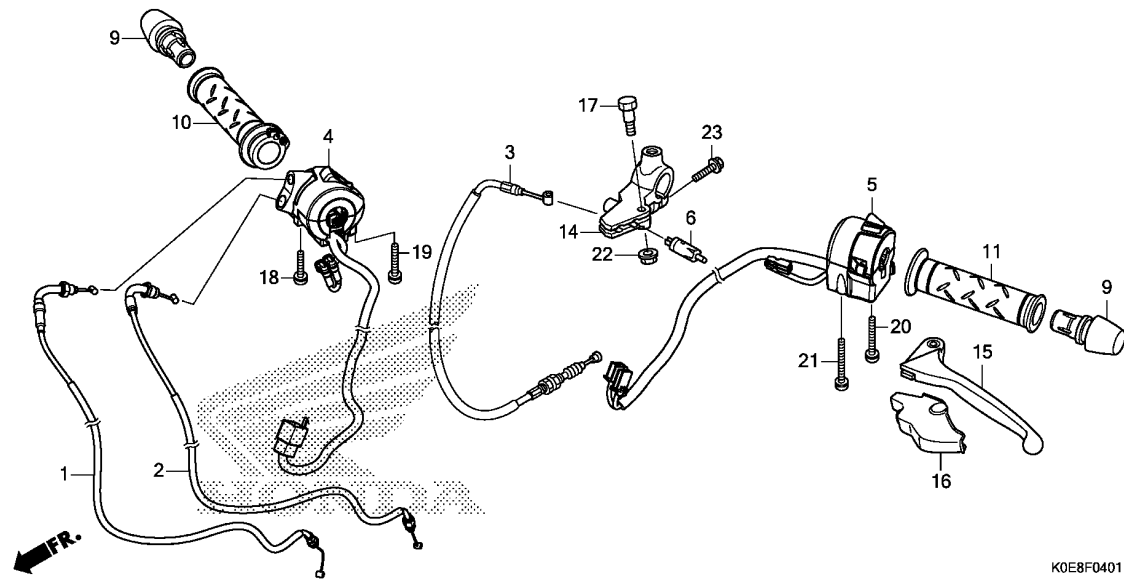
Ref. No.	L.O.N.	(Relative ref. Number) Description	F.R.T.
1	811100	CABLE, THROTTLE .....	0.6
2	811120	CABLE, CHOKE .....	0.4
3	811115	CABLE, CLUTCH .....	0.3
4	615116	SWITCH, STARTER .....	0.5
5	615118	SWITCH, WINKER .....	0.5
6	6151A9	SWITCH, CLUTCH .....	0.3
10	810150	GRIP, THROTTLE .....	0.1
11	8101C0	GRIP, HANDLE :LEFT .....	0.1
14	8101C8	BRACKET, HANDLE LEVER :LEFT ..	0.3
15	8101C6	LEVER, HANDLE :LEFT .....	0.1
	8101F5	LEVER, HANDLE :BOTH .....	0.2

Ref. No.	Part No.	Description	Reqd. QTY			Serial No.	Parts catalogue code
			CBF160FS				
			J	K	M		
1	17910-K0E-D01	CABLE COMP., THROTTLE .....	1	1	-		
2	17950-K43-901	CABLE COMP., CHOKE .....	1	1	-		
3	22870-K43-901	CABLE COMP., CLUTCH .....	1	1	-		
4	35150-K43-D01	SWITCH ASSY., STARTER .....	1	1	-		
5	35200-K43-D01	SWITCH ASSY., WINKER .....	1	1	-		
6	35330-KWS-901	SWITCH ASSY., CLUTCH .....	1	1	-		
9	53105-KRC-900	END, STEERING HANDLE .....	2	2	-		
10	53140-K38-940	GRIP COMP., THROTTLE .....	1	1	-		
11	53166-KSP-A70	GRIP, L. HANDLE .....	1	1	-		
14	53172-KTE-930	BRACKET, L. HANDLE LEVER .....	1	1	-		
15	53178-K21-900	LEVER COMP., L. HANDLE .....	1	1	-		
16	53179-KWF-950	COVER, L. HANDLE LEVER .....	1	1	-		
17	90114-310-000	BOLT, HANDLE LEVER PIVOT .....	1	1	-		
18	93892-05020-07	SCREW-WASHER, 5X20 .....	1	1	-		
19	93892-05025-07	SCREW-WASHER, 5X25 .....	1	1	-		
20	93892-05035-07	SCREW-WASHER, 5X35 .....	1	1	-		
21	93892-05045-07	SCREW-WASHER, 5X45 .....	1	1	-		
22	94050-06000	NUT, FLANGE, 6MM .....	1	1	-		
23	96001-06025-00	BOLT, FLANGE, 6X25 .....	1	1	-		



# F-4-1

# HANDLE LEVER/SWITCH/CABLE(CBF160FSM)



K0E8F0401

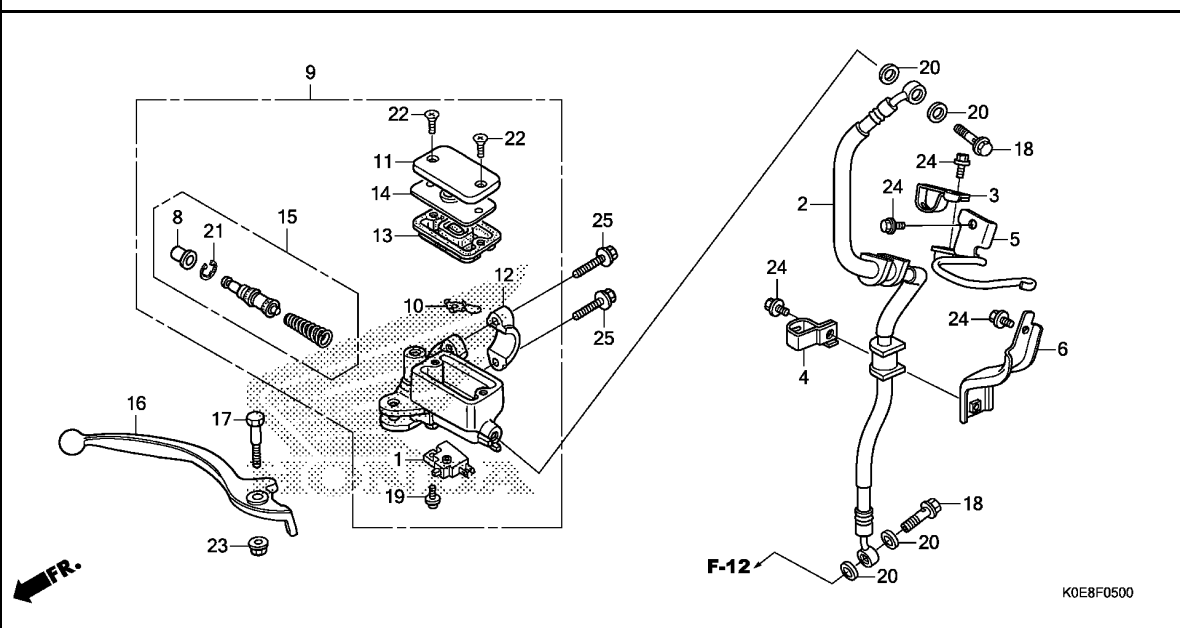
Ref. No.	L.O.N.	(Relative ref. Number) Description	F.R.T.
1	(2)		
1	811100	CABLE, THROTTLE .....	0.6
.NOTE: Same time for two units			
3	811115	CABLE, CLUTCH .....	0.3
4	615120	SWITCH, STARTER KILL .....	0.6
5	615118	SWITCH, WINKER .....	0.5
6	6151A9	SWITCH, CLUTCH .....	0.3
10	8101J5	GRIP, THROTTLE(A) .....	0.3
11	8101C0	GRIP, HANDLE :LEFT .....	0.1
14	8101C8	BRACKET, HANDLE LEVER :LEFT ..	0.3
15	8101C6	LEVER, HANDLE :LEFT .....	0.1
	8101F5	LEVER, HANDLE :BOTH .....	0.2

3

Ref. No.	Part No.	Description	Reqd. QTY			Serial No.	Parts catalogue code
			CBF160FS	J	K		
1	17910-K0E-D52	CABLE COMP. A, THROTTLE (SUPRAJIT)	-	-	1		
2	17920-K0E-D52	CABLE COMP. B, THROTTLE (SUPRAJIT)	-	-	1		
3	22870-K43-901	CABLE COMP., CLUTCH .....	-	-	1		
4	35150-K0E-D51	SWITCH ASSY., STARTER & ENGINE STOP	-	-	1		
5	35200-K0E-D51	SWITCH ASSY., WINKER .....	-	-	1		
6	35330-KYJ-611	SWITCH ASSY., CLUTCH .....	-	-	1		
9	53105-KRC-900	END, STEERING HANDLE .....	-	-	2		
10	53140-K1K-D00	GRIP COMP., THROTTLE .....	-	-	1		
11	53166-KSP-A70	GRIP, L. HANDLE .....	-	-	1		
14	53172-KTE-930	BRACKET, L. HANDLE LEVER ....	-	-	1		
15	53178-K21-900	LEVER COMP., L. HANDLE .....	-	-	1		
16	53179-KWF-950	COVER, L. HANDLE LEVER .....	-	-	1		
17	90114-310-000	BOLT, HANDLE LEVER PIVOT ....	-	-	1		
18	93892-05020-07	SCREW-WASHER, 5X20 .....	-	-	1		
19	93892-05025-07	SCREW-WASHER, 5X25 .....	-	-	1		
20	93892-05035-07	SCREW-WASHER, 5X35 .....	-	-	1		
21	93892-05045-07	SCREW-WASHER, 5X45 .....	-	-	1		
22	94050-06000	NUT, FLANGE, 6MM .....	-	-	1		
23	96001-06025-00	BOLT, FLANGE, 6X25 .....	-	-	1		

# F-5

# FRONT BRAKE MASTER CYLINDER(1)

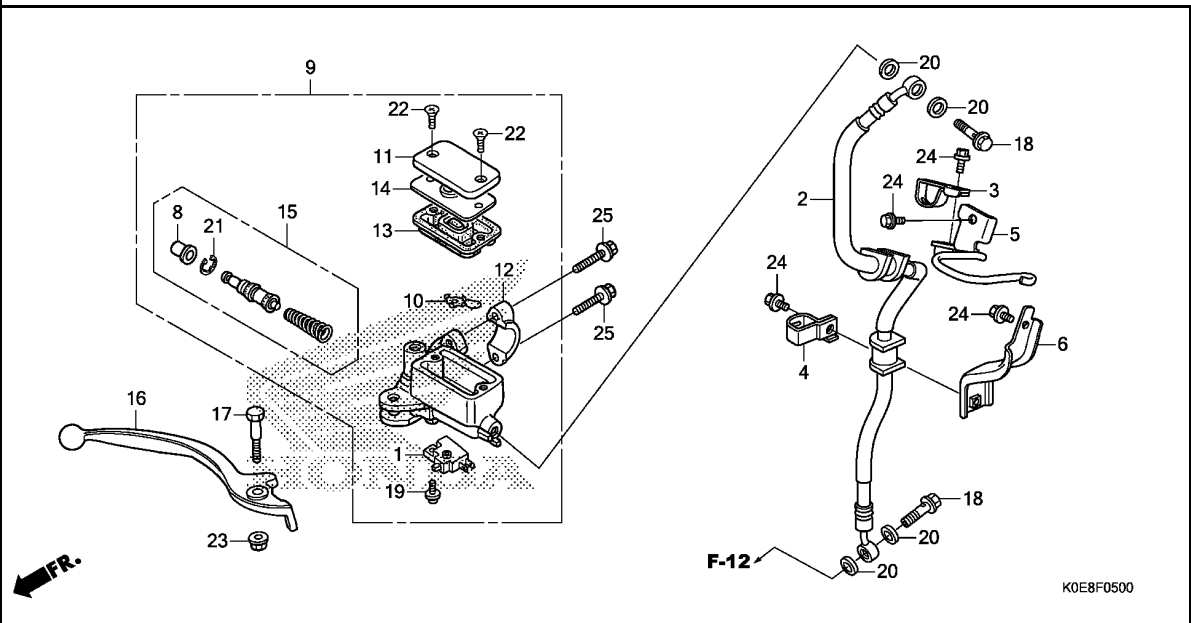


Ref. No.	L.O.N.	(Relative ref. Number) Description	F.R.T.
1	6151B2	SWITCH, FRONT STOP .....	0.2
2	712127	HOSE A, FRONT BRAKE .....	0.4
		.INCLUDES: Bleed brakes	
9	712105	CYLINDER, FRONT BRAKE MASTER .	0.4
		.INCLUDES: Bleed brakes	
13	7121G6	DIAPHRAGM, FRONT BRAKE MASTER	
		CYLINDER .....	0.1
15	7121G9	PISTON SET, FRONT BRAKE MASTER	
		.INCLUDES: Bleed brakes	0.4
16	8101C7	LEVER, HANDLE :RIGHT .....	0.1
	8101F5	LEVER, HANDLE :BOTH .....	0.2

Ref. No.	Part No.	Description	Reqd. QTY			Serial No.	Parts catalogue code
			CBF160FS	J	K		
1	35340-KSP-B51	SWITCH ASSY., FR. STOP .....	1	-	-		
2	45126-KOE-D01	HOSE COMP., FR. BRAKE .....	1	-	-	-----	BA
3	45155-KOE-D00	CLAMPER A, FR. BRAKE HOSE ...	1	-	-	-----	BA
4	45156-KOE-D00	CLAMPER B, FR. BRAKE HOSE ...	1	-	-	-----	BA
5	45160-KOE-D00	STAY COMP. A, FR. BRAKE HOSE	1	-	-	-----	BA
6	45170-KOE-D00	STAY COMP. B, FR. BRAKE HOSE	1	-	-	-----	BA
8	45504-410-003	BOOT COMP. ....	1	-	-	-----	BA
9	45510-K21-901	CYLINDER SUB ASSY., FR. BRAKE MASTER(NISSIN)	1	-	-	-----	BA
10	45512-MA6-006	PROTECTOR .....	1	-	-	-----	BA
11	45513-HA2-006	CAP, MASTER CYLINDER .....	1	-	-	-----	BA
12	45517-166-006	HOLDER, MASTER CYLINDER .....	1	-	-	-----	BA
13	45520-GE2-006	DIAPHRAGM .....	1	-	-	-----	BA
14	45521-K21-901	PLATE, DIAPHRAGM .....	1	-	-	-----	BA

# F-5

# FRONT BRAKE MASTER CYLINDER(1)

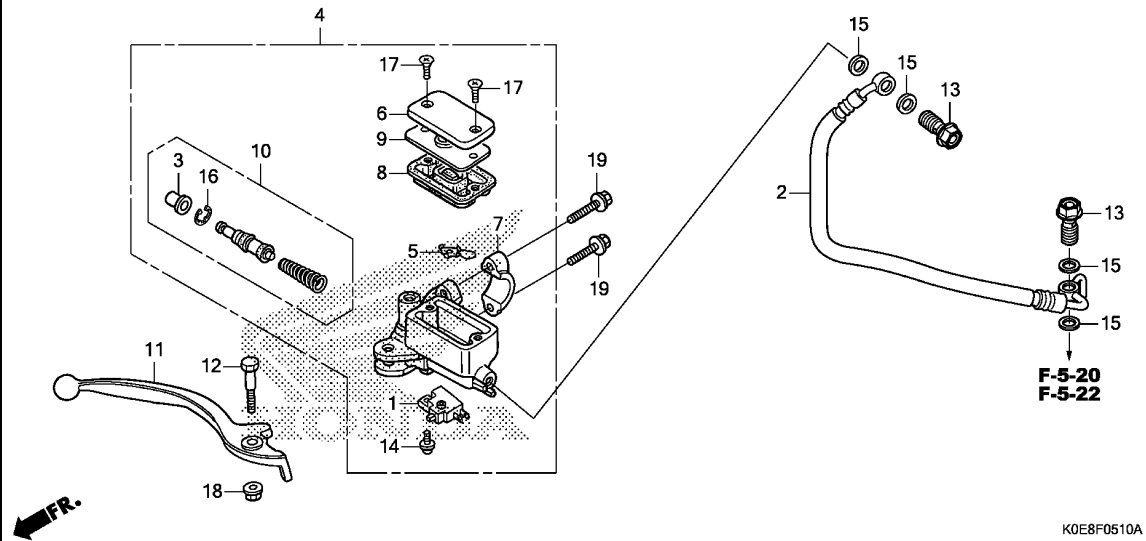


Ref. No.	Part No.	Description	Reqd. QTY			Serial No.	Parts catalogue code
			CBF160FS				
			J	K	M		
15	45530-471-831	CYLINDER SET, MASTER .....	1	-	-		
			-	1	-	-----	BA
16	53175-KSP-B51	LEVER, R. STEERING HANDLE ...	1	-	-		
			-	1	-	-----	BA
17	90114-166-006	BOLT, HANDLE LEVER PIVOT ....	1	-	-		
			-	1	-	-----	BA
18	90145-GAZ-981	BOLT, OIL, 10X22 .....	2	-	-		
			-	2	-	-----	BA
19	90508-K21-921	SCREW-WASHER, 4X12 .....	1	-	-		
			-	1	-	-----	BA
20	90545-300-000	WASHER, OIL BOLT .....	4	-	-		
			-	4	-	-----	BA
21	90651-MA5-671	CIRCLIP .....	1	-	-		
			-	1	-	-----	BA
22	93600-04012-1G	SCREW, FLAT, 4X12 .....	2	-	-		
			-	2	-	-----	BA
23	94050-06000	NUT, FLANGE, 6MM .....	1	-	-		
			-	1	-	-----	BA
24	96001-06012-00	BOLT, FLANGE, 6X12 .....	4	-	-		
			-	4	-	-----	BA
25	96001-06022-00	BOLT, FLANGE, 6X22 .....	2	-	-		
			-	2	-	-----	BA

3

# F-5-10

# FRONT BRAKE MASTER CYLINDER(2)



Ref. No.	L.O.N.	(Relative ref. Number) Description	F.R.T.
1	6151B2	SWITCH, FRONT STOP .....	0.2
2	7121T6	HOSE A, FRONT BRAKE(A) .....	0.6
4	712105	CYLINDER, FRONT BRAKE MASTER . .INCLUDES: Bleed brakes	0.4
8	7121G6	DIAPHRAGM, FRONT BRAKE MASTER CYLINDER .....	0.1
10	7121G9	PISTON SET, FRONT BRAKE MASTER .INCLUDES: Bleed brakes	0.4
11	8101C7	LEVER, HANDLE :RIGHT .....	0.1
	8101F5	LEVER, HANDLE :BOTH .....	0.2

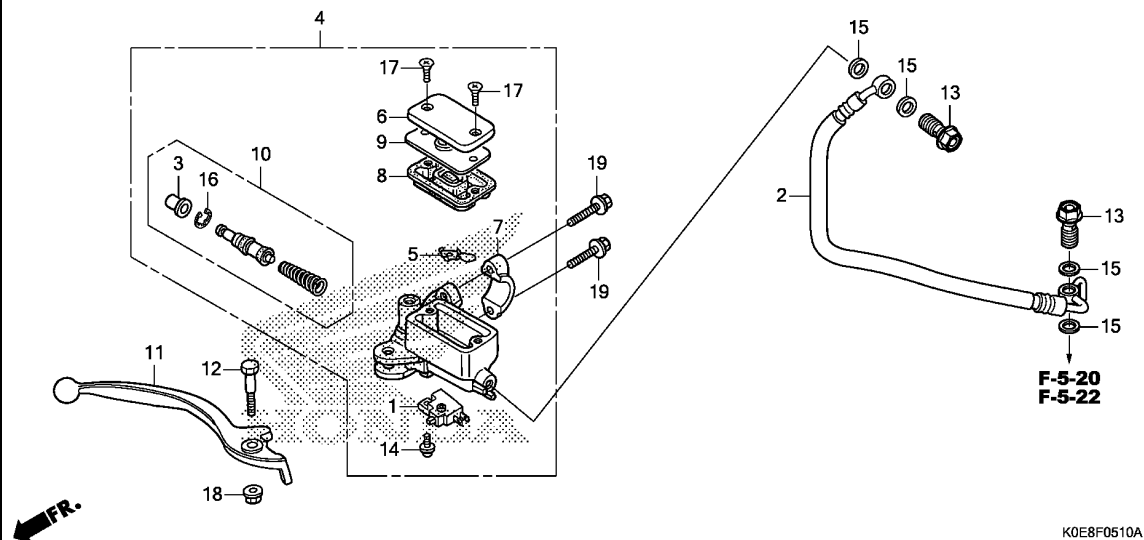
Ref. No.	Part No.	Description	Reqd. QTY			Serial No.	Parts catalogue code
			CBF160FS	J	K		
1	35340-KSP-B51	SWITCH ASSY., FR. STOP .....	-	1	-	-----	ID
2	45126-K0E-D21	HOSE COMP. A, FR. BRAKE .....	-	1	-	-----	ID
	45126-K0E-D51	.....	-	1	-	-----	ID
3	45504-410-003	BOOT COMP. ....	-	1	-	-----	ID
4	45510-K21-901	CYLINDER SUB ASSY., FR. BRAKE MASTER(NISSIN)	-	1	-	-----	ID
			-	1	-	-----	ID
5	45512-MA6-006	PROTECTOR .....	-	1	-	-----	ID
			-	1	-	-----	ID
6	45513-HA2-006	CAP, MASTER CYLINDER .....	-	1	-	-----	ID
			-	1	-	-----	ID
7	45517-166-006	HOLDER, MASTER CYLINDER .....	-	1	-	-----	ID
			-	1	-	-----	ID
8	45520-GE2-006	DIAPHRAGM .....	-	1	-	-----	ID
			-	1	-	-----	ID
9	45521-K21-901	PLATE, DIAPHRAGM .....	-	1	-	-----	ID
			-	1	-	-----	ID
10	45530-471-831	CYLINDER SET, MASTER .....	-	1	-	-----	ID
			-	1	-	-----	ID
11	53175-KSP-B51	LEVER, R. STEERING HANDLE ...	-	1	-	-----	ID
			-	1	-	-----	ID
12	90114-166-006	BOLT, HANDLE LEVER PIVOT ....	-	1	-	-----	ID
			-	1	-	-----	ID
13	90145-GAZ-981	BOLT, OIL, 10X22 .....	-	2	-	-----	ID
			-	2	-	-----	ID





# F-5-10

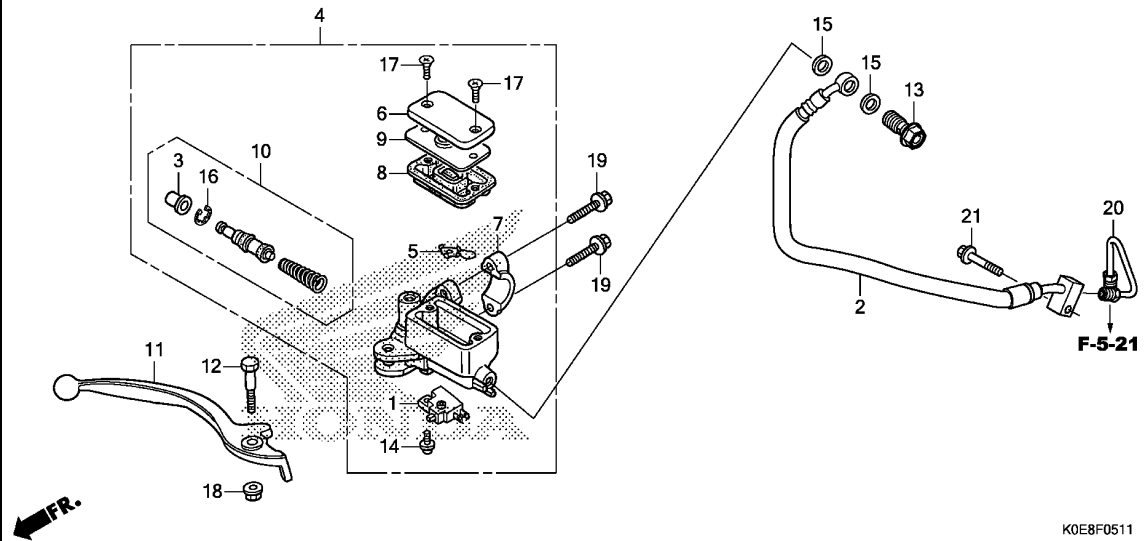
# FRONT BRAKE MASTER CYLINDER(2)



Ref. No.	Part No.	Description	Reqd. QTY			Serial No.	Parts catalogue code
			J	K	M		
14	90508-K21-921	SCREW-WASHER, 4X12	-	1	-	-----	ID
15	90545-300-000	WASHER, OIL BOLT	-	4	-	-----	ID
16	90651-MA5-671	CIRCLIP	-	1	-	-----	ID
17	93600-04012-1G	SCREW, FLAT, 4X12	-	2	-	-----	ID
18	94050-06000	NUT, FLANGE, 6MM	-	1	-	-----	ID
19	96001-06022-00	BOLT, FLANGE, 6X22	-	2	-	-----	ID

# F-5-11

# FRONT BRAKE MASTER CYLINDER(3)



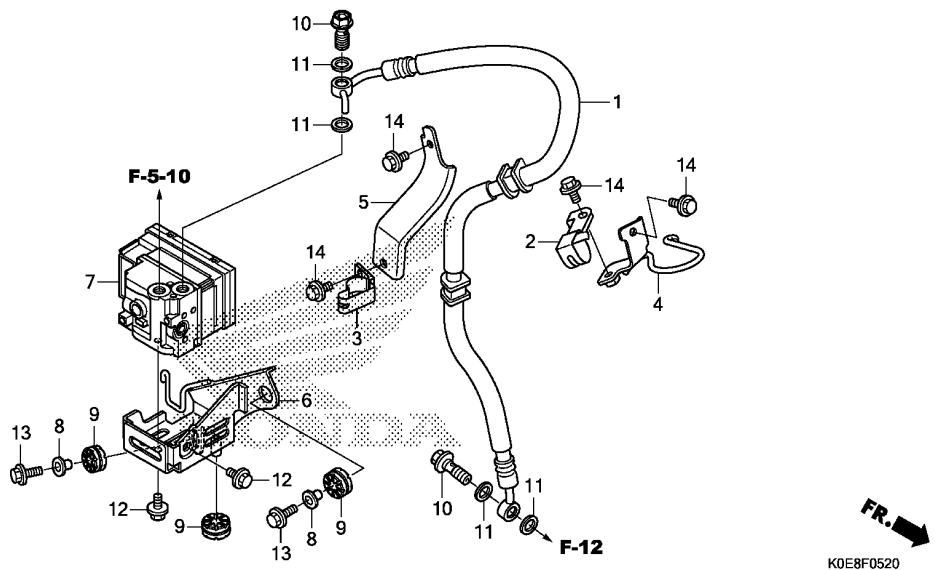
Ref. No.	L.O.N.	(Relative ref. Number) Description	F.R.T.
1	6151B2	SWITCH, FRONT STOP .....	0.2
2	7121T6	HOSE A, FRONT BRAKE(A) .....	0.6
		.INCLUDES: Bleed brakes	
4	712105	CYLINDER, FRONT BRAKE MASTER .....	0.4
		.INCLUDES: Bleed brakes	
8	7121G6	DIAPHRAGM, FRONT BRAKE MASTER .....	0.1
10	7121G9	PISTON SET, FRONT BRAKE MASTER .....	0.4
		.INCLUDES: Bleed brakes	
11	8101C7	LEVER, HANDLE :RIGHT .....	0.1
	8101F5	LEVER, HANDLE :BOTH .....	0.2
20	7121C8	PIPE B, FRONT BRAKE .....	0.6
		.INCLUDES: Bleed brakes	

Ref. No.	Part No.	Description	Reqd. QTY			Serial No.	Parts catalogue code
			CBF160FS	J	K		
1	35340-KSP-B51	SWITCH ASSY., FR. STOP .....	-	1	-	-----	3BA,3ID
2	45126-KOE-D41	HOSE COMP. A, FR. BRAKE .....	-	1	-	-----	3BA,3ID
3	45504-410-003	BOOT COMP. ....	-	1	-	-----	3BA,3ID
4	45510-K21-901	CYLINDER SUB ASSY., FR. BRAKE MASTER(NISSIN) .....	-	1	-	-----	3BA,3ID
5	45512-MA6-006	PROTECTOR .....	-	1	-	-----	3BA,3ID
6	45513-HA2-006	CAP, MASTER CYLINDER .....	-	1	-	-----	3BA,3ID
7	45517-166-006	HOLDER, MASTER CYLINDER .....	-	1	-	-----	3BA,3ID
8	45520-GE2-006	DIAPHRAGM .....	-	1	-	-----	3BA,3ID
9	45521-K21-901	PLATE, DIAPHRAGM .....	-	1	-	-----	3BA,3ID
10	45530-471-831	CYLINDER SET, MASTER .....	-	1	-	-----	3BA,3ID
11	53175-KSP-B51	LEVER, R. STEERING HANDLE ...	-	1	-	-----	3BA,3ID
12	90114-166-006	BOLT, HANDLE LEVER PIVOT ....	-	1	-	-----	3BA,3ID
13	90145-GAZ-981	BOLT, OIL, 10X22 .....	-	1	-	-----	3BA,3ID
14	90508-K21-921	SCREW-WASHER, 4X12 .....	-	1	-	-----	3BA,3ID
15	90545-300-000	WASHER, OIL BOLT .....	-	2	-	-----	3BA,3ID
16	90651-MA5-671	CIRCLIP .....	-	1	-	-----	3BA,3ID
17	93600-04012-16	SCREW, FLAT, 4X12 .....	-	2	-	-----	3BA,3ID
18	94050-06000	NUT, FLANGE, 6MM .....	-	1	-	-----	3BA,3ID
19	96001-06022-00	BOLT, FLANGE, 6X22 .....	-	2	-	-----	3BA,3ID
20	45127-KOE-D40	PIPE COMP. B, FR. BRAKE .....	-	1	-	-----	3BA,3ID
21	96001-06028-07	BOLT, FLANGE, 6X28 .....	-	1	-	-----	3BA,3ID



# F-5-20

# ABS MODULATOR(CBF160FSK-ID)



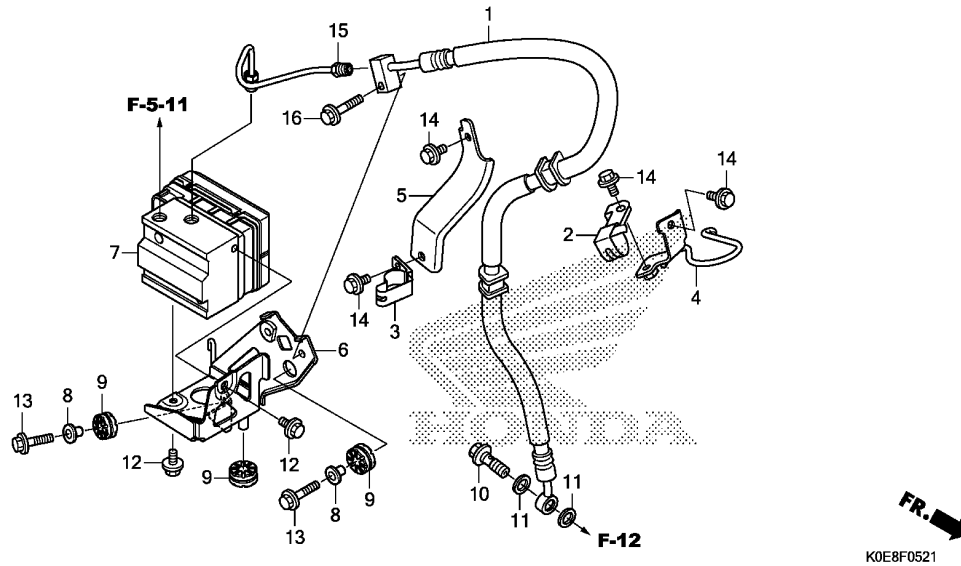
Ref. No.	L.O.N.	(Relative ref. Number) Description	F.R.T.
1	712128	HOSE B, FRONT BRAKE ..... .INCLUDES: Bleed brakes	0.6
6	7111J8	BRACKET, ABS MODULATOR ..... .INCLUDES: Bleed brakes	0.6
7	7111H1	MODULATOR, ABS ..... .INCLUDES: Bleed brakes	0.7

3

Ref. No.	Part No.	Description	Reqd. QTY			Serial No.	Parts catalogue code
				CBF160FS			
			J	K	M		
1	45127-KOE-D21	HOSE COMP. B, FR. BRAKE .....	-	1	-	-----	ID
2	45155-KOE-D20	CLAMPER A, FR. BRAKE HOSE ...	-	1	-	-----	ID
3	45156-KOE-D20	CLAMPER B, FR. BRAKE HOSE ...	-	1	-	-----	ID
4	45160-KOE-D20	STAY COMP. A, FR. BRAKE HOSE	-	1	-	-----	ID
5	45170-KOE-D00	STAY COMP. B, FR. BRAKE HOSE	-	1	-	-----	ID
6	50345-KOE-D20	STAY, ABS MODULATOR .....	-	1	-	-----	ID
7	57110-KOE-D21	MODULATOR ASSY. ....	-	1	-	-----	ID
8	61102-KTY-D30	COLLAR, RADIATOR MOUNTING ...	-	2	-	-----	ID
9	77208-KW7-900	RUBBER B, SEAT MOUNTING .....	-	3	-	-----	ID
10	90145-GAZ-981	BOLT, OIL, 10X22 .....	-	2	-	-----	ID
11	90545-300-000	WASHER, OIL BOLT .....	-	4	-	-----	ID
12	95701-06012-07	BOLT, FLANGE, 6X12 .....	-	2	-	-----	ID
13	95701-06025-00	BOLT, FLANGE, 6X25 .....	-	2	-	-----	ID
14	96001-06012-00	BOLT, FLANGE, 6X12 .....	-	4	-	-----	ID

# F-5-21

# ABS MODULATOR(CBF160FSK-3BA/3ID)

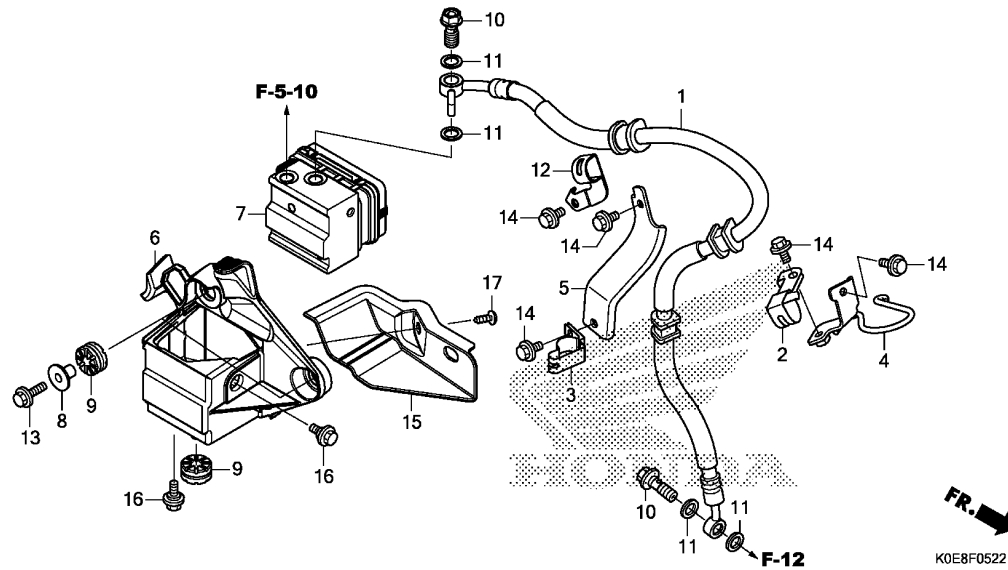


Ref. No.	L.O.N.	(Relative ref. Number) Description	F.R.T.
1	7121L5	HOSE D, FRONT BRAKE ..... .INCLUDES: Bleed brakes	0.6
6	7111J8	BRACKET, ABS MODULATOR ..... .INCLUDES: Bleed brakes	0.6
7	7111H1	MODULATOR, ABS ..... .INCLUDES: Bleed brakes	0.7
15	7121C9	PIPE C, FRONT BRAKE ..... .INCLUDES: Bleed brakes	0.6

Ref. No.	Part No.	Description	Reqd. QTY			Serial No.	Parts catalogue code
			CBF160FS	J	K		
1	45129-KOE-D41	HOSE COMP. D, FR. BRAKE .....	-	1	-	-----	3BA,3ID
2	45155-KOE-D20	CLAMPER A, FR. BRAKE HOSE ...	-	1	-	-----	3BA,3ID
3	45156-KOE-D20	CLAMPER B, FR. BRAKE HOSE ...	-	1	-	-----	3BA,3ID
4	45160-KOE-D20	STAY COMP. A, FR. BRAKE HOSE	-	1	-	-----	3BA,3ID
5	45170-KOE-D00	STAY COMP. B, FR. BRAKE HOSE	-	1	-	-----	3BA,3ID
6	50345-KOE-D40	STAY, ABS MODULATOR .....	-	1	-	-----	3BA,3ID
7	57110-KOE-D41	MODULATOR ASSY. ....	-	1	-	-----	3BA,3ID
8	61102-KTY-D30	COLLAR, RADIATOR MOUNTING ...	-	2	-	-----	3BA,3ID
9	77208-KW7-900	RUBBER B, SEAT MOUNTING .....	-	3	-	-----	3BA,3ID
10	90145-GAZ-981	BOLT, OIL, 10X22 .....	-	1	-	-----	3BA,3ID
11	90545-300-000	WASHER, OIL BOLT .....	-	2	-	-----	3BA,3ID
12	95701-06012-07	BOLT, FLANGE, 6X12 .....	-	2	-	-----	3BA,3ID
13	95701-06025-00	BOLT, FLANGE, 6X25 .....	-	2	-	-----	3BA,3ID
14	96001-06012-00	BOLT, FLANGE, 6X12 .....	-	4	-	-----	3BA,3ID
15	45128-KOE-D40	PIPE COMP. C, FR. BRAKE .....	-	1	-	-----	3BA,3ID
16	96001-06028-07	BOLT, FLANGE, 6X28 .....	-	1	-	-----	3BA,3ID

# F-5-22

# ABS MODULATOR(CBF160FSM)



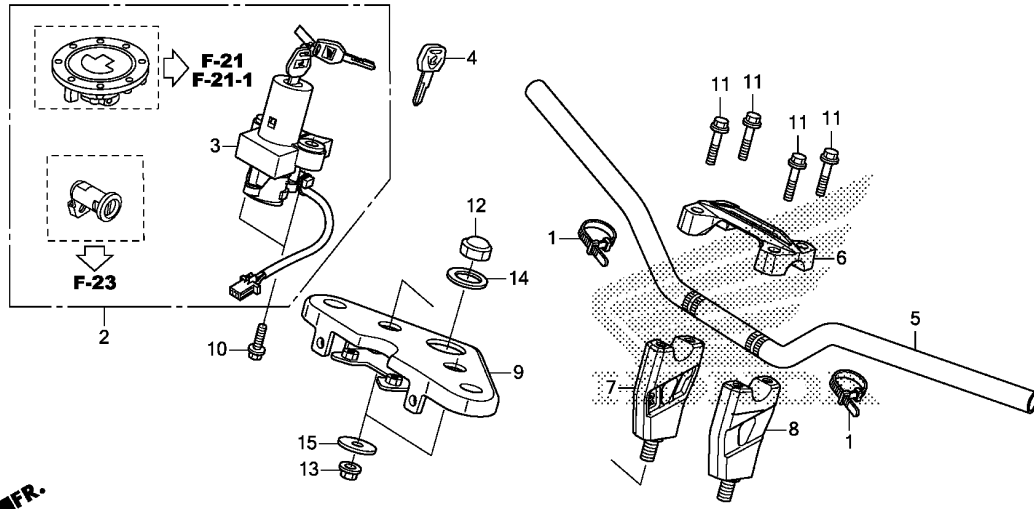
Ref. No.	L.O.N.	(Relative ref. Number) Description	F.R.T.
1	712128	HOSE B, FRONT BRAKE ..... .INCLUDES: Bleed brakes	0.6
6	7111J8	BRACKET, ABS MODULATOR ..... .INCLUDES: Bleed brakes	0.6
7	7111H1	MODULATOR, ABS ..... .INCLUDES: Bleed brakes	0.7

3

Ref. No.	Part No.	Description	Reqd. QTY			Serial No.	Parts catalogue code
			CBF160FS	J	K		
1	45127-KOE-D51	HOSE COMP. B, FR. BRAKE .....	-	-	1		
2	45155-KOE-D20	CLAMPER A, FR. BRAKE HOSE ...	-	-	1		
3	45156-KOE-D20	CLAMPER B, FR. BRAKE HOSE ...	-	-	1		
4	45160-KOE-D20	STAY COMP. A, FR. BRAKE HOSE	-	-	1		
5	45170-KOE-D00	STAY COMP. B, FR. BRAKE HOSE	-	-	1		
6	50345-K1K-D00	BOX, ABS MODULATOR .....	-	-	1		
7	57110-KOE-D51	MODULATOR ASSY. ....	-	-	1		
8	61102-KTY-D30	COLLAR, RADIATOR MOUNTING ...	-	-	2		
9	77208-KW7-900	RUBBER B, SEAT MOUNTING .....	-	-	3		
10	90145-GAZ-981	BOLT, OIL, 10X22 .....	-	-	2		
11	90545-300-000	WASHER, OIL BOLT .....	-	-	4		
12	45157-KOE-D50	CLAMPER C, FR. BRAKE HOSE ...	-	-	1		
13	95701-06022-00	BOLT, FLANGE, 6X22 .....	-	-	2		
14	96001-06012-00	BOLT, FLANGE, 6X12 .....	-	-	5		
15	50346-KOE-D50	COVER, ABS MODULATOR BOX ....	-	-	1		
16	90111-K98-E00	BOLT, FLANGE, 6MM .....	-	-	2		
17	93903-25220	SCREW, TAPPING, 5X12 .....	-	-	1		

# F-7

# HANDLE PIPE/TOP BRIDGE



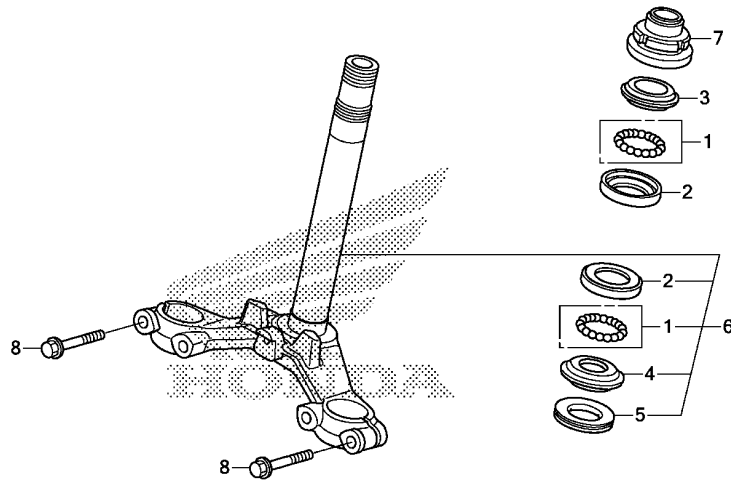
KOE8F0700A

Ref. No.	L.O.N.	(Relative ref. Number) Description	F.R.T.
2	6151A1	KEY SET .....	1.2
3	615145	SWITCH, COMBINATION & LOCK ...	1.0
5	810100	PIPE, STEERING HANDLE .....	0.5
7	8101B9	HOLDER, HANDLE :LOWER .....	0.5
9	510110	BRIDGE, FORK TOP .....	1.0

Ref. No.	Part No.	Description	Reqd. QTY			Serial No.	Parts catalogue code
			CBF160FS				
			J	K	M		
1	32161-KSP-920	BAND B1, WIRE .....	2	2	2		
2	35010-K43-D00	KEY SET .....	1	1	-		
	35010-KOE-D50	.....	-	-	1		
3	35100-K43-D01	SWITCH ASSY., COMBINATION & LOCK	1	1	1		
4	35121-KPP-N01	KEY, BLANK .....	(1)	(1)	(1)		
5	53100-KOE-D00ZA	PIPE, STEERING HANDLE *NH1*.....BLACK	1	1	1		
6	53131-KOE-D00ZA	HOLDER, HANDLE UPPER *NH105*...MAT BLACK (#15-#20)	1	1	1		
7	53132-KOE-D00ZA	HOLDER, R. HANDLE LOWER *NH105*...MAT BLACK (#15-#20)	1	1	1		
8	53142-KOE-D00ZA	HOLDER, L. HANDLE LOWER *NH105*...MAT BLACK (#15-#20)	1	1	1		
9	53230-KOE-D00	BRIDGE COMP., FORK TOP .....	1	1	1		
10	90100-KYJ-710	BOLT, COMBINATION SWITCH SETTING	2	2	2		
11	90111-362-000	BOLT, FLANGE, 8X36 .....	4	4	4		
12	90304-K63-D30	NUT, STEERING STEM .....	1	1	1		
13	90304-KTE-911	NUT, FLANGE SPECIAL, 10MM (SIMMODS MARSHALL)	2	2	2		
14	90503-KSP-900	WASHER, STEERING STEM .....	1	1	1		
15	90521-427-770	WASHER, 10.3MM .....	2	2	2		

F-9

STEERING STEM



← IFR.

KOE8F0900

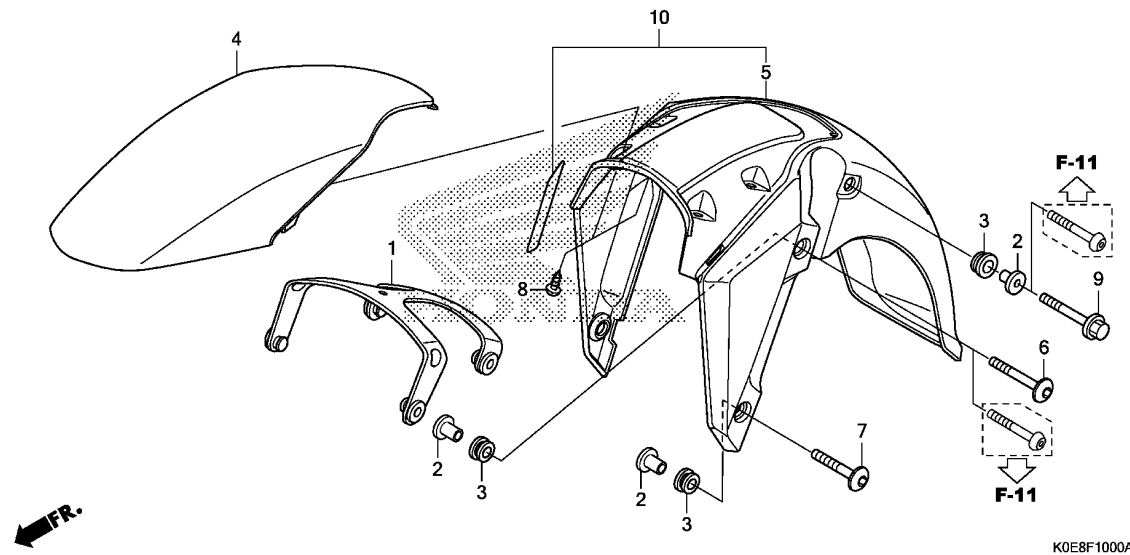
Ref. No.	L.O.N.	(Relative ref. Number) Description	F.R.T.
2		(1)	
	5101A0	RACE, STEERING BALL :UPPER ...	1.4
	5101A1	RACE, STEERING BALL :LOWER ...	1.6
	5101C9	RACE, STEERING BALL :BOTH ....	1.6
3	5101A9	RACE, STEERING TOP CONE .....	1.4
4		(1,5)	
	5101B0	RACE, STEERING BOTTOM CONE ...	1.6
6	510100	STEM OR SHAFT ASSY., STEERING	1.4
7	5101B2	THREAD, STEERING HEAD TOP ....	1.2

3

Ref. No.	Part No.	Description	Reqd. QTY			Serial No.	Parts catalogue code
			J	K	M		
1	06531-KW6-840	BALL ASSY., STEEL, #8X18 ....	2	2	2		
2	50301-KTR-900	RACE, STEERING TOP BALL .....	2	2	2		
3	53211-268-010	RACE, STEERING TOP CONE .....	1	1	1		
4	53212-200-000	RACE, STEERING BOTTOM CONE ..	1	1	1		
5	53214-200-000	DUST SEAL, STEERING HEAD ....	1	1	1		
6	53219-KOE-D00	STEM SUB ASSY., STEERING ....	1	1	1		
7	53220-KSP-900	THREAD COMP., STEERING HEAD					
		TOP	1	1	1		
8	95701-08035-07	BOLT, FLANGE, 8X35 .....	2	2	2		

# F-10

# FRONT FENDER



Ref. No.	L.O.N.	(Relative ref. Number) Description	F.R.T.
4	413103	FENDER A, FRONT (10)	0.1
5	413104	FENDER B, FRONT	0.1

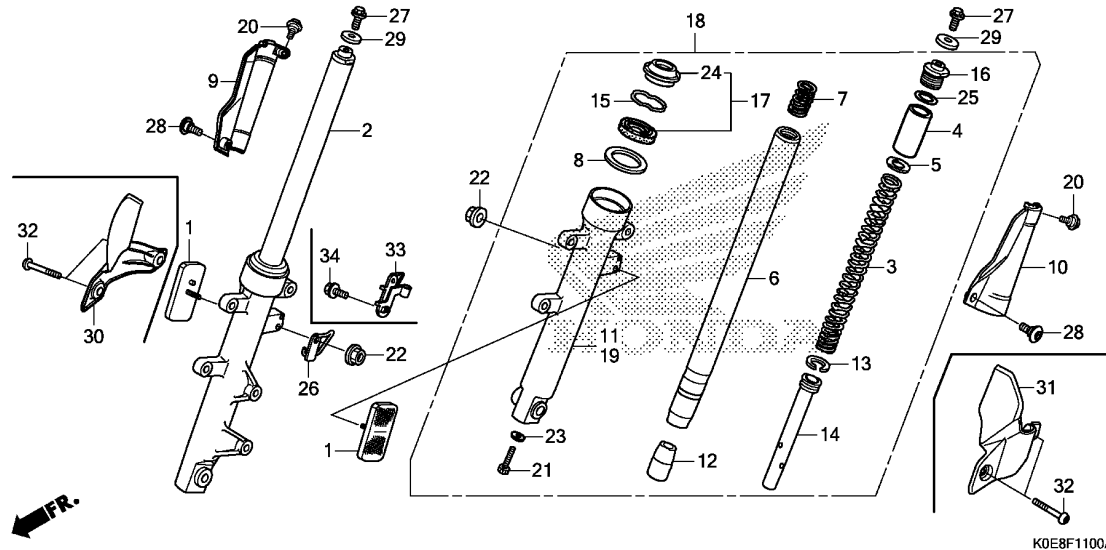
Ref. No.	Part No.	Description	Reqd. QTY			Serial No.	Parts catalogue code
			CBF160FS				
			J	K	M		
1	61101-KOE-D00	STAY, FR. FENDER .....	1	1	1		
2	61103-KRY-900	COLLAR A, FR. FENDER .....	6	6	6		
3	61105-KRY-900	RUBBER, FR. FENDER MOUNTING .....	6	6	6		
4	61111-KOE-D00ZC	FENDER A, FR. *NH805P*...PEARL IGNEOUS BLACK	1	1	1		
	61111-KOE-D00ZE	*B227M* MAT MARVEL BLUE METALLIC	1	1	1		
	61111-KOE-D00ZA	*R382P*...PEARL SPARTAN RED	1	1	-		
	61111-KOE-D00ZB	*NHCO6M* MAT FROZEN SILVER METALLIC	1	1	-		
	61111-KOE-D00ZD	*GY155M* MAT MARSHAL GREEN METALLIC	1	1	-		
	61111-KOE-D00ZF	*YR371M* MAT MARMALADE ORANGE METALLIC	-	-	1		
	61111-KOE-D00ZG	*R392P*...PEARL SPARTAN RED 2	-	-	1		
	61111-KOE-D00ZH	*NH303M* MAT AXIS GRAY METALLIC	-	-	1		
	61111-KOE-D00ZJ	*GY156M* MAT MARSHAL GREEN METALLIC 2	-	-	1		
5	61112-KOE-D00	FENDER B, FR. ....	1	-	-		
			-	1	-	-----	BA
6	90130-KOE-D00	SCREW, PAN, 6X32 .....	2	-	-		
7	90130-KYJ-900	SCREW, PAN, 6X22 .....	2	2	2		
8	93903-25280	SCREW, TAPPING, 5X12 .....	4	4	4		
9	96001-06032-00	BOLT, FLANGE, 6X32 .....	2	-	-		
10	61112-KOE-D20ZA	FENDER SET B, FR.(WL) *TYPE1*.....	-	1	1	-----	3BA,3ID,ID





# F-11

# FRONT FORK

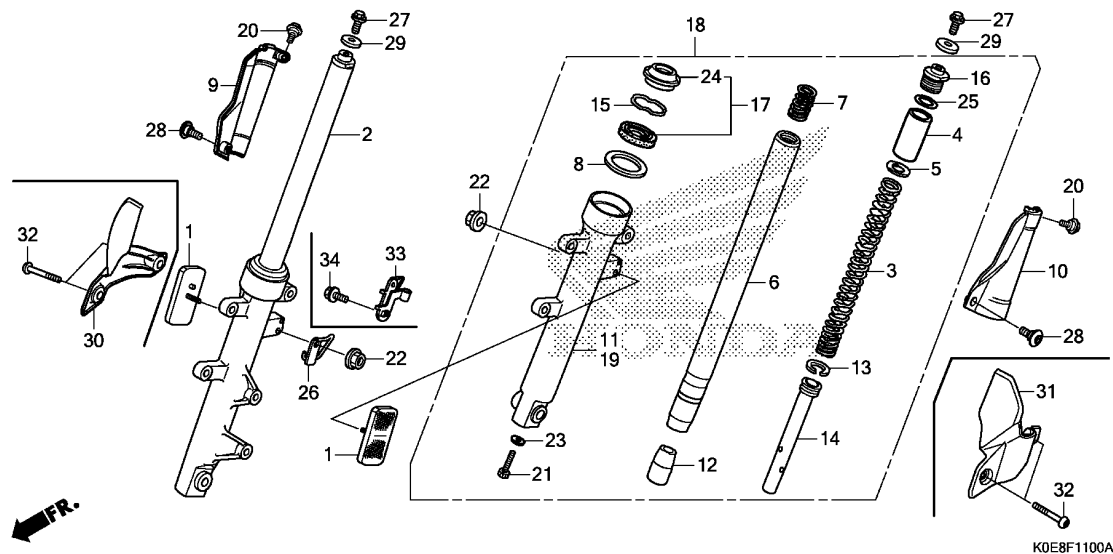


Ref. No.	L.O.N.	(Relative ref. Number) Description	F.R.T.
2	5111C3	FORK ASSY., FRONT :RIGHT .....	0.4
3	5111C5	SPRING, FRONT FORK :LEFT .....	0.6
	5111C6	SPRING, FRONT FORK :RIGHT .....	0.6
	5111C7	SPRING, FRONT FORK :BOTH .....	0.9
6		(7,12,13,14)	
	5111G2	PIPE, FRONT FORK :LEFT .....	0.7
	5111G3	PIPE, FRONT FORK :RIGHT .....	0.7
	5111G4	PIPE, FRONT FORK :BOTH .....	1.1
9	4131V9	COVER, FRONT FORK :RIGHT .....	0.1
10	4131V8	COVER, FRONT FORK :LEFT .....	0.1
	5111F3	COVER, FRONT FORK :BOTH .....	0.1
11	5111D2	CASE, BOTTOM :RIGHT .....	0.8
17	5111E7	SEAL SET, FRONT FORK :LEFT .....	0.8
	5111E8	SEAL SET, FRONT FORK :RIGHT .....	0.8
	5111E9	SEAL SET, FRONT FORK :BOTH .....	1.3
18	5111C2	FORK ASSY., FRONT :LEFT .....	0.4
	5111C4	FORK ASSY., FRONT :BOTH .....	0.5
19	5111D1	CASE, BOTTOM :LEFT .....	0.8
	5111D3	CASE, BOTTOM :BOTH .....	1.3
30	4131PM	PANEL, FRONT FENDER :RIGHT .....	0.1
31	4131PL	PANEL, FRONT FENDER :LEFT .....	0.1
	4131PN	PANEL, FRONT FENDER :BOTH .....	0.1

Ref. No.	Part No.	Description	Reqd. QTY			Serial No.	Parts catalogue code
			CBF160FS	J	K		
1	33740-KZK-951	REFLECTOR, FR. SIDE REFLEX ..	2	2	2		
2	51400-KOE-D01	FORK ASSY., R. FR.(ENDURANCE)	1	-	-		
	51400-KOE-D21	.....	-	1	1	-----	3BA,3ID,ID
	51400-KOE-D01	.....	-	1	-	-----	BA
3	51401-KOE-D01	SPRING, FR. FORK .....	2	2	2		
4	51403-KOE-D01	SPACER, TUBE .....	2	2	2		
5	51404-K23-902	JOINT, SPRING .....	2	2	2		
6	51410-KOE-D01	PIPE COMP., FR. FORK .....	2	2	2		
7	51412-KOE-D01	SPRING, REBOUND .....	2	2	2		
8	51413-KOE-D01	RING, BACK UP .....	2	2	2		
9	61150-KOE-D00	COVER, R. FORK .....	1	1	1		
10	61160-KOE-D00	COVER, L. FORK .....	1	1	1		
11	51420-KOE-D01	CASE COMP., R. FR. BOTTOM ...	1	-	-		
	51420-KOE-D21	.....	-	1	1	-----	3BA,3ID,ID
	51420-KOE-D01	.....	-	1	-	-----	BA
12	51432-KOE-D01	PIECE, OIL LOCK .....	2	2	2		
13	51437-K23-902	RING, PISTON .....	2	2	2		
14	51440-KOE-D01	PIPE, SEAT .....	2	2	2		
15	90651-KOE-D01	RING, OIL SEAL STOPPER .....	2	2	2		
16	90123-K23-902	BOLT A, FR. FORK .....	2	2	2		
17	51490-KOE-D01	SEAL SET, FR. FORK .....	2	2	2		
18	51500-KOE-D01	FORK ASSY., L. FR.(ENDURANCE)	1	1	1		
19	51520-KOE-D01	CASE COMP., L. FR. BOTTOM ...	1	1	1		
20	90101-GE0-000	SCREW, HINGE PATCH .....	2	2	2		
21	90116-K23-902	BOLT, SOCKET, 8MM .....	2	2	2		

# F-11

# FRONT FORK

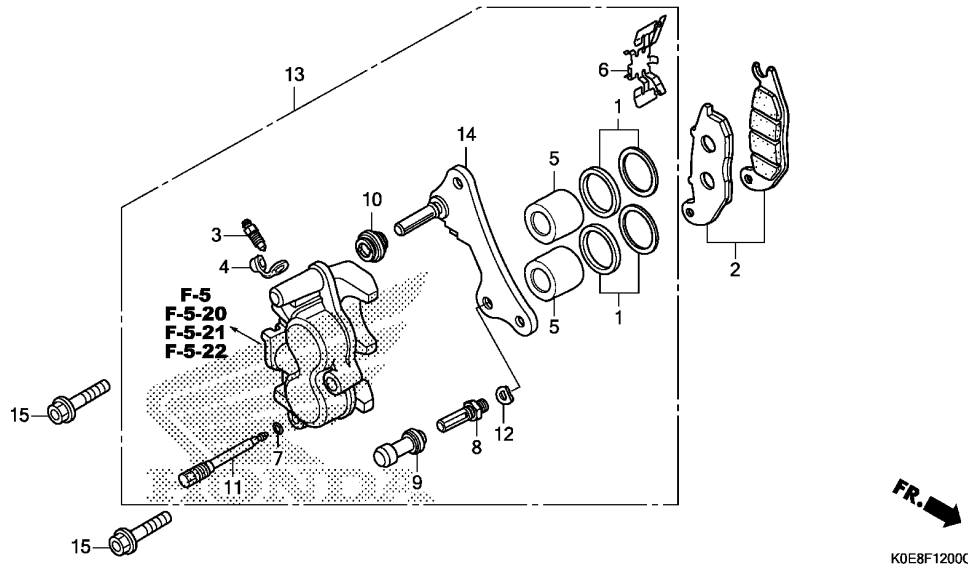


KOE8F1100A

Ref. No.	Part No.	Description	Reqd. QTY			Serial No.	Parts catalogue code
			CBF160FS				
			J	K	M		
22	90301-KWN-901	NUT, U, 5MM .....	2	2	2		
23	90544-K23-902	WASHER, SPECIAL, 8MM .....	2	2	2		
24	51425-KOE-D01	SEAL, DUST .....	2	2	2		
25	91351-K23-902	O-RING .....	2	2	2		
26	45158-KOE-D00	GUARD COMP., FR. BRAKE HOSE	1	-	-		
			-	1	-	-----	BA
27	90123-KRM-860	BOLT, FR. FORK .....	2	2	2		
28	90134-KPP-T00	SCREW, PAN, 5X14 .....	2	2	2		
29	90521-KSP-900	WASHER, 10.3MM .....	2	2	2		
30	61115-KOE-D20ZA	COVER, R. FR. FORK					
		*NH303M*					
		MAT AXIS GRAY METALLIC	-	1	1		
31	61125-KOE-D20ZA	COVER, L. FR. FORK					
		*NH303M*					
		MAT AXIS GRAY METALLIC	-	1	1		
32	90131-KOE-D20	SCREW, PAN, 6X36 .....	-	4	4		
33	38516-KOE-D20	CLAMPER, SPEED SENSOR CORD ..	-	1	1	-----	3BA,3ID,ID
34	95701-06012-07	BOLT, FLANGE, 6X12 .....	-	1	1	-----	3BA,3ID,ID

# F-12

# FRONT BRAKE CALIPER



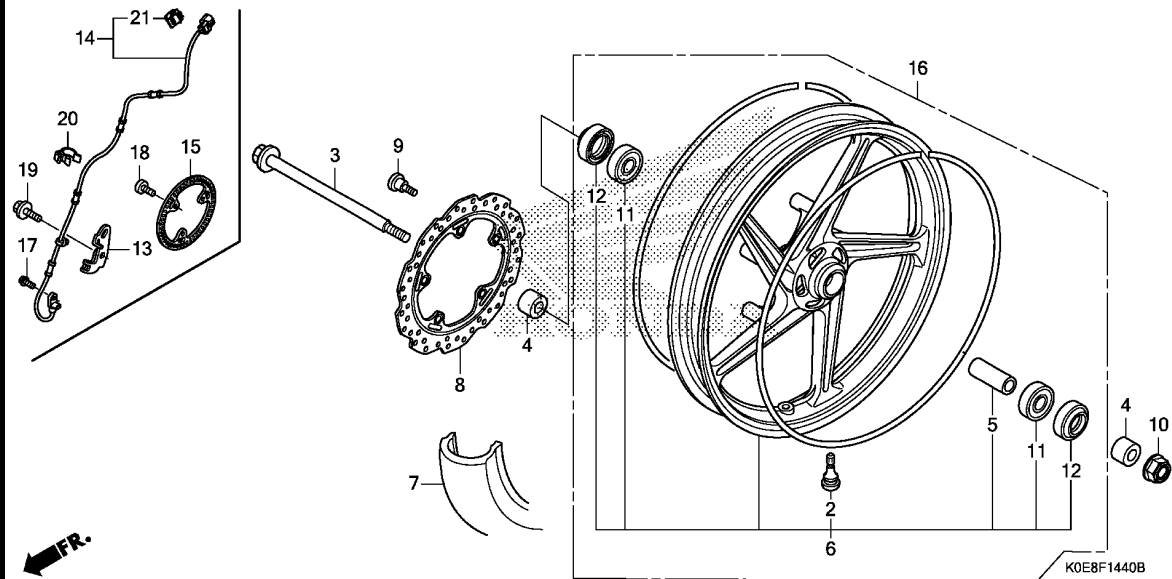
Ref. No.	L.O.N.	(Relative ref. Number) Description	F.R.T.
2	711115	SHOE(PAD) SET, BRAKE :FRONT ..	0.1
5		(1)	
	7111D1	PISTON, FRONT BRAKE CALIPER ..	0.5
		.INCLUDES: Bleed brakes	
		.NOTE: Same time for two units	
13	711130	CALIPER, FRONT BRAKE .....	0.4
		.INCLUDES: Bleed brakes	
14	7111G0	BRACKET, FRONT CALIPER .....	0.2

3

Ref. No.	Part No.	Description	Reqd. QTY			Serial No.	Parts catalogue code
			J	K	M		
1	06451-GE2-405	SEAL SET, PISTON .....	2	2	2		
2	06455-KPP-N01	PAD SET, FR. ....	1	1	1		
3	43352-568-003	SCREW, BLEEDER(NISSIN) .....	1	1	1		
4	43353-461-771	CAP, BLEEDER .....	1	1	1		
5	45107-GE2-006	PISTON .....	2	2	2		
6	45108-KPH-951	SPRING, PAD .....	1	1	1		
7	45111-MAJ-G41	RING, STOPPER .....	1	1	1		
8	45131-GZ0-006	BOLT, PIN .....	1	1	1		
9	45132-166-016	BOOT, PIN BUSH(NISSIN) .....	1	1	1		
10	45133-MA3-006	BOOT B .....	1	1	1		
11	45215-KPH-951	PIN, HANGER .....	1	1	1		
12	45216-166-006	WASHER, WAVE .....	1	1	1		
13	45250-KYE-902	CALIPER SUB ASSY., R. FR. (NISSIN)	1	1	1		
14	45290-KPP-901	BRACKET SUB ASSY., R. FR. ....	1	1	1		
15	90155-KSP-900	BOLT, FLANGE, 8X25 .....	2	2	2		

# F-14-40

# FRONT WHEEL

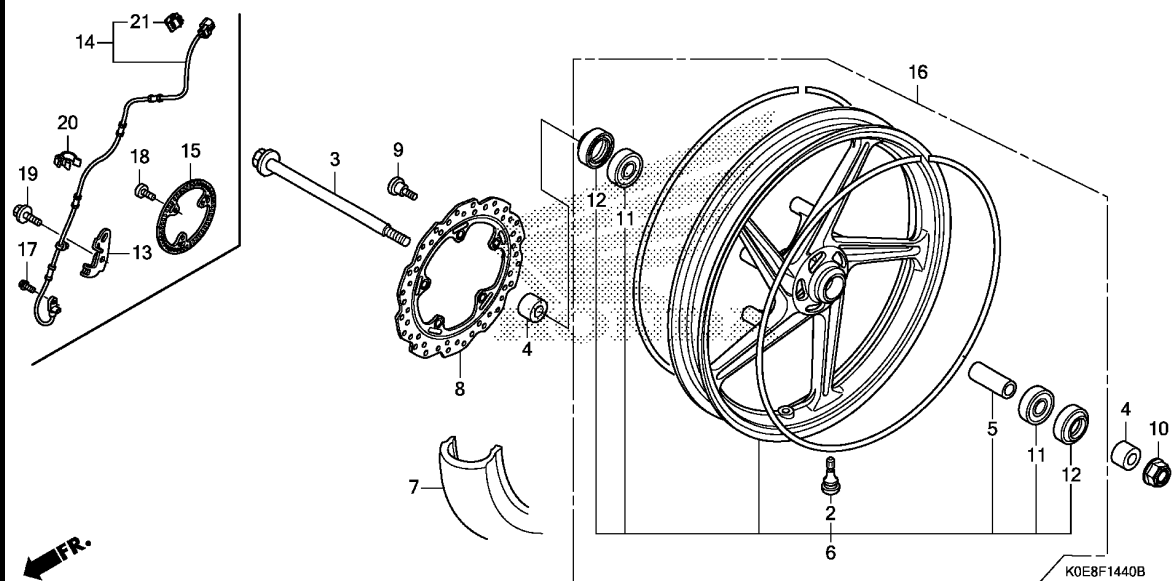


Ref. No.	L.O.N.	(Relative ref. Number) Description	F.R.T.
3		(12)	
710151		AXLE, FRONT WHEEL .....	0.2
6		(16)	
7101D4		FRONT WHEEL .....	0.6
710139		FRONT TIRE(ONE) .....	0.5
8		DISC, FRONT BRAKE .....	0.3
11		BEARING, FRONT WHEEL(ONE) ....	0.4
710115G		.Replace 1 bearing add .....	0.1
14		SENSOR, WHEEL SPEED :FRONT ...	0.4
15		RING, PULSER :FRONT .....	0.3

Ref. No.	Part No.	Description	Reqd. QTY			Serial No.	Parts catalogue code
			CBF160FS				
			J	K	M		
2	42753-K24-G11	VALVE, RIM(ACCURA) .....	1	1	1		
	42753-KWF-901	VALVE, RIM(TRITON) .....	1	1	1		
3	44301-KSP-900	AXLE, FR. WHEEL .....	1	1	1		
4	44311-KSP-900	COLLAR, FR. WHEEL SIDE .....	2	2	2		
5	44620-K67-900	COLLAR, FR. AXLE DISTANCE ...	1	1	1		
6	44650-KOE-D00ZA	WHEEL SUB ASSY., FR. *NH303M*					
		MAT AXIS GRAY METALLIC	1	-	-		
7	44711-KSP-B01	TIRE, FR.(MRF)(80/100-17 46P)	1	1	1		
	44711-KOE-D21	TIRE, FR.(TVS) (80/100-17 M/C 46P)	-	1	1	-----	3BA,3ID,ID
8	45251-K43-901	DISK, FR. BRAKE(YUTAKA) .....	1	1	1		
9	90105-KSP-870	BOLT, DISK, 8X24 .....	5	5	5		
10	90306-KTE-911	NUT, FLANGE SPECIAL, 12MM (SIMMONDS MARSHALL)	1	1	1		
11	91051-K15-901	BEARING, RADIAL BALL, 6301UU (SKF)	2	2	2		
	91051-K21-902	BEARING, RADIAL BALL, 6301UU (FAG)	2	2	2		
	91051-K21-903	BEARING, RADIAL BALL, 6301UU (NEI)	2	2	2		
	91051-K21-901	BEARING, RADIAL BALL, 6301UU (JTEKT)	-	2	-	-----	BA
	91053-KWF-931	BEARING, RADIAL BALL, 6301UU (NSK)	-	2	-	-----	BA
12	91251-KPH-901	DUST SEAL, 21X37X7(ARAI) ....	2	2	2		
13	38515-K43-D20	GUIDE, SENSOR CORD .....	-	1	1	-----	3BA,3ID,ID

# F-14-40

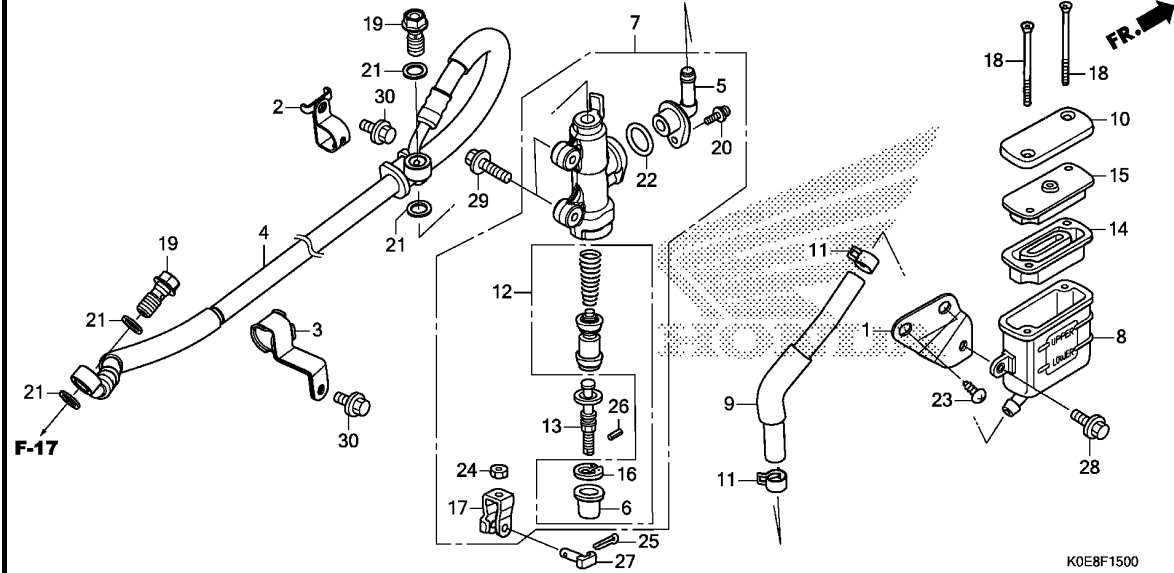
# FRONT WHEEL



Ref. No.	Part No.	Description	Reqd. QTY			Serial No.	Parts catalogue code
			CBF160FS	J	K		
14	38520-KOE-D21	SENSOR, FR. WHEEL SPEED	-	1	-	-----	3BA,3ID,ID
	38520-KOE-D51	SENSOR ASSY., FR. SPEED	-	-	1	-----	
15	44515-K43-D20	RING, FR. PULSER	-	1	1	-----	3BA,3ID,ID
16	44650-KOE-D20ZC	WHEEL SUB ASSY., FR.(WL)	-	1	-	-----	3BA,3ID,ID
	*TYPE4*		-	1	-	-----	3BA,3ID,ID
	44650-KOE-D20ZD	*TYPE3*	-	1	-	-----	3BA,3ID,ID
	44650-KOE-D20ZE	*TYPE2*	-	1	-	-----	3BA,3ID,ID
	44650-KOE-D20ZF	*TYPE1*	-	1	-	-----	3BA,3ID,ID
	44650-KOE-B00ZA	*TYPE4*	-	1	-	-----	BA
	44650-KOE-B00ZB	*TYPE3*	-	1	-	-----	BA
	44650-KOE-B00ZC	*TYPE2*	-	1	-	-----	BA
	44650-KOE-B00ZD	*TYPE1*	-	1	-	-----	BA
	44650-KOE-D50ZA	*NH303M 4*	-	-	-	-----	
		MAT AXIS GRAY METALLIC	-	-	1	-----	
	44650-KOE-D50ZB	*NH303M 3*	-	-	-	-----	
		MAT AXIS GRAY METALLIC	-	-	1	-----	
	44650-KOE-D50ZC	*NH303M 2*	-	-	-	-----	
		MAT AXIS GRAY METALLIC	-	-	1	-----	
	44650-KOE-D50ZD	*NH303M 1*	-	-	-	-----	
		MAT AXIS GRAY METALLIC	-	-	1	-----	
	44650-KOE-D50ZE	*NH303M*	-	-	-	-----	
		MAT AXIS GRAY METALLIC	-	-	1	-----	
17	90106-K43-D20	BOLT, FLANGE, 6X14(SH)	-	1	1	-----	3BA,3ID,ID
18	90131-KYJ-610	BOLT, TORX, 5X10	-	3	3	-----	3BA,3ID,ID
19	96300-06020-07	BOLT, FLANGE, 6X20	-	1	1	-----	3BA,3ID,ID
20	90651-K43-D21	CLIP, HARNESS	-	1	1	-----	3BA,3ID,ID
21	91565-SEL-003	CLIP, COUPLER(BLACK)	-	1	1	-----	3BA,3ID,ID

# F-15

# REAR BRAKE MASTER CYLINDER



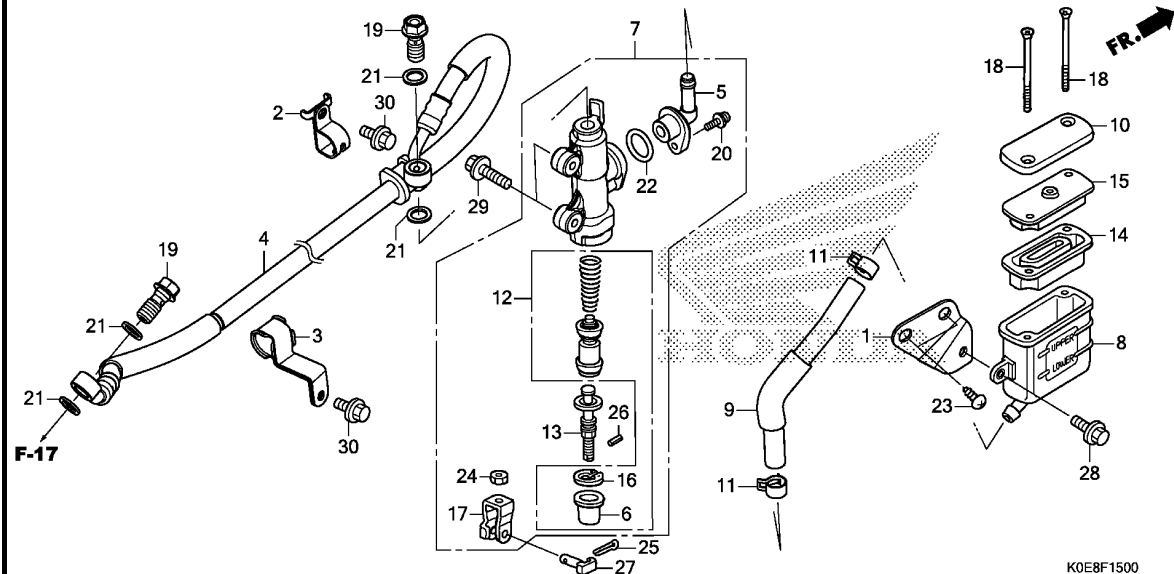
Ref. No.	L.O.N.	(Relative ref. Number) Description	F.R.T.
4	712130	HOSE, REAR BRAKE ..... .INCLUDES: Bleed brakes	0.5
7	712125	CYLINDER, REAR BRAKE MASTER .. .INCLUDES: Bleed brakes	0.6
8	7121F6	CUP, REAR MASTER CYLINDER OIL .INCLUDES: Bleed brakes	0.3
9	7121C2	HOSE, REAR MASTER CYLINDER OIL CUP ..... .INCLUDES: Bleed brakes	0.4
12	7121H0	PISTON SET, REAR BRAKE MASTER .INCLUDES: Bleed brakes	0.6
14	7121G7	DIAPHRAGM, REAR BRAKE MASTER CYLINDER .....	0.1

Ref. No.	Part No.	Description	Reqd. QTY			Serial No.	Parts catalogue code
			CBF160FS	J	K		
1	17209-KOE-D70	STAY, OIL CUP .....	-	-	1	-----	3ID
2	43155-KOE-D70	CLAMPER, RR. BRAKE HOSE .....	-	-	1	-----	3ID
3	43156-KOE-D70	GUIDE, RR. BRAKE HOSE .....	-	-	1	-----	3ID
4	43310-KOE-D71	HOSE COMP., RR. BRAKE .....	-	-	1	-----	3ID
5	43503-MER-D01	CONNECTOR, MASTER CYLINDER ..	-	-	1	-----	3ID
6	43504-MB2-006	BOOT COMP. ....	-	-	1	-----	3ID
7	43510-K15-901	CYLINDER SUB ASSY., RR. BRAKE MASTER(NISSIN)	-	-	1	-----	3ID
8	43511-K43-D31	CUP COMP., OIL .....	-	-	1	-----	3ID
9	43512-KOE-D71	HOSE, RR. MASTER CYLINDER ...	-	-	1	-----	3ID
10	43513-KBP-881	CAP, MASTER CYLINDER .....	-	-	1	-----	3ID
11	43514-KS6-701	CLAMP, MASTER CYLINDER OIL HOSE	-	-	2	-----	3ID
12	43520-MJ6-315	PISTON SET, MASTER CYLINDER (NISSIN)	-	-	1	-----	3ID
13	43530-MV9-006	ROD COMP., PUSH .....	-	-	1	-----	3ID
14	45520-GW0-911	DIAPHRAGM .....	-	-	1	-----	3ID
15	45521-GW0-911	PLATE, DIAPHRAGM .....	-	-	1	-----	3ID
16	46182-MEL-D21	CIRCLIP .....	-	-	1	-----	3ID
17	46504-KV6-702	JOINT, BRAKE ROD .....	-	-	1	-----	3ID
18	90140-K43-D31	SCREW, FLAT, 4X50 .....	-	-	2	-----	3ID
19	90145-GAZ-981	BOLT, OIL, 10X22 .....	-	-	2	-----	3ID
20	90508-K21-921	SCREW-WASHER, 4X12 .....	-	-	1	-----	3ID
21	90545-300-000	WASHER, OIL BOLT .....	-	-	4	-----	3ID
22	91212-422-006	O-RING, 14.8X2.4 .....	-	-	1	-----	3ID



# F-15

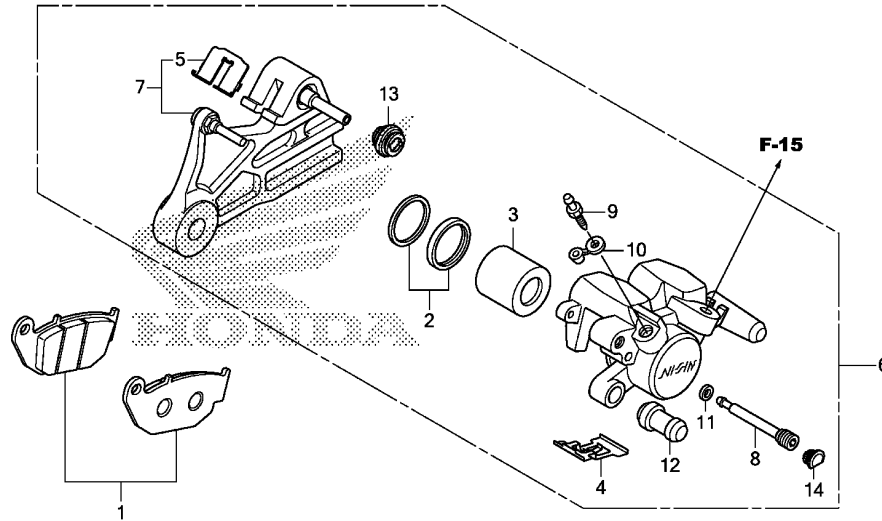
# REAR BRAKE MASTER CYLINDER



Ref. No.	Part No.	Description	Reqd. QTY			Serial No.	Parts catalogue code
			J	K	M		
23	93903-25220	SCREW, TAPPING, 5X12	-	-	2	-----	3ID
24	94002-08000-0S	NUT, HEX., 8MM	-	-	1	-----	3ID
25	94201-20150	PIN, SPLIT, 2.0X15	-	-	1	-----	3ID
26	94305-20102	PIN, SPRING, 2X10	-	-	1	-----	3ID
27	95015-54000	PIN D, JOINT	-	-	1	-----	3ID
28	95701-06014-08	BOLT, FLANGE, 6X14	-	-	1	-----	3ID
29	95701-06022-08	BOLT, FLANGE, 6X22	-	-	2	-----	3ID
30	96001-06010-07	BOLT, FLANGE, 6X10	-	-	2	-----	3ID

# F-17

# REAR BRAKE CALIPER



KOE8F1700

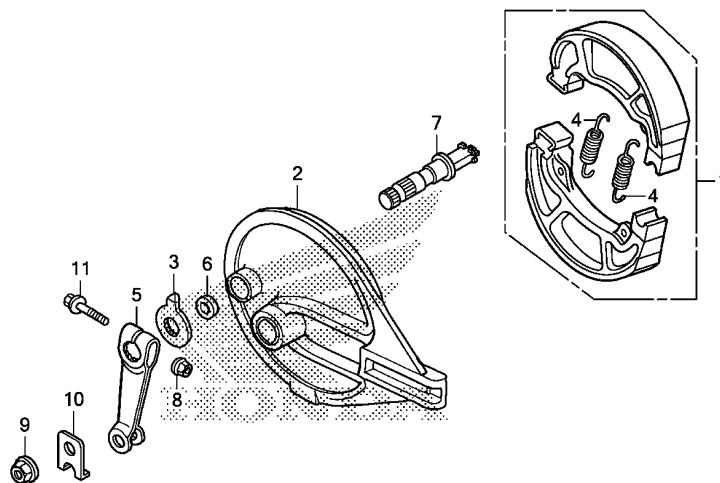
Ref. No.	L.O.N.	(Relative ref. Number) Description	F.R.T.
1	7111R4	SHOE(PAD) SET, BRAKE(A) :REAR (2)	0.1
3	7111D5	PISTON, REAR BRAKE CALIPER ...	0.6
6	711155	CALIPER, REAR BRAKE ..... .INCLUDES: Bleed brakes	0.5
7	7111C1	BRACKET, REAR CALIPER .....	0.4

Ref. No.	Part No.	Description	Reqd. QTY			Serial No.	Parts catalogue code
			CBF160FS	J	K		
1	06435-KSP-B02	PAD SET, RR. ....	-	-	1	-----	3ID
2	06451-MA7-405	SEAL SET, PISTON .....	-	-	1	-----	3ID
3	43107-MA7-006	PISTON .....	-	-	1	-----	3ID
4	43108-KSP-B51	SPRING, PAD(NISSIN) .....	-	-	1	-----	3ID
5	43112-KSP-B01	RETAINER .....	-	-	1	-----	3ID
6	43150-KYE-902	CALIPER SUB ASSY., RR.(NISSIN)	-	-	1	-----	3ID
7	43190-KSP-B01	BRACKET SUB ASSY., RR. ....	-	-	1	-----	3ID
8	43215-KGH-901	PIN, HANGER .....	-	-	1	-----	3ID
9	43352-568-003	SCREW, BLEEDER(NISSIN) .....	-	-	1	-----	3ID
10	43353-461-771	CAP, BLEEDER .....	-	-	1	-----	3ID
11	45111-MAJ-G41	RING, STOPPER .....	-	-	1	-----	3ID
12	45132-166-016	BOOT, PIN BUSH(NISSIN) .....	-	-	1	-----	3ID
13	45133-MA3-006	BOOT B .....	-	-	1	-----	3ID
14	45203-MCC-006	PLUG, PIN .....	-	-	1	-----	3ID



# F-18

# REAR BRAKE PANEL



FR. →

K0E8F1800

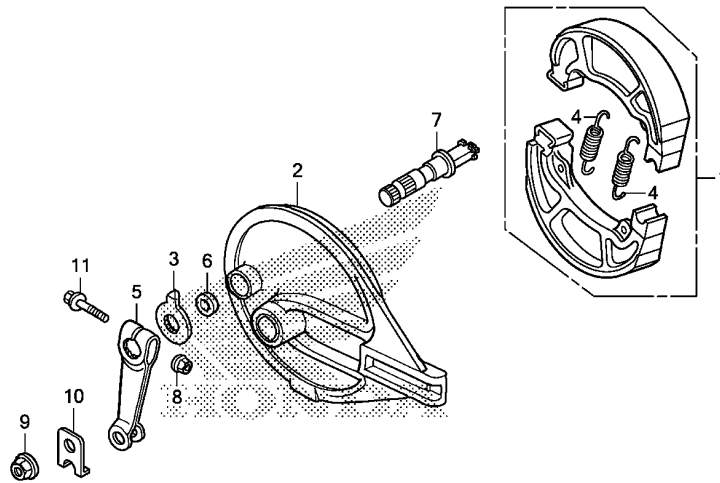
Ref. No.	L.O.N.	(Relative ref. Number) Description	F.R.T.
1	711140	SHOE(PAD) SET, BRAKE :REAR ...	0.4
2	7111A9	PANEL, REAR BRAKE .....	0.5
5	7111C4	ARM, BRAKE :REAR .....	0.2
7	7111B4	CAM, BRAKE :REAR .....	0.5

3

Ref. No.	Part No.	Description	Reqd. QTY			Serial No.	Parts catalogue code
			CBF160FS	J	K		
1	06430-KTN-700	SHOE SET, BRAKE(JB) .....	1	1	-		
	06430-KVT-D10	SHOE SET, BRAKE(ASK) .....	1	1	-		
	06430-KTN-700	SHOE SET, BRAKE(JB) .....	-	-	1	-----	ID
	06430-KVT-D10	SHOE SET, BRAKE(ASK) .....	-	-	1	-----	ID
2	43100-KYE-910ZB	PANEL COMP., RR. BRAKE *NH303M*	1	1	-		
		MAT AXIS GRAY METALLIC	-	-	1	-----	ID
3	43145-K38-900	INDICATOR, RR. BRAKE .....	1	1	-		
			-	-	1	-----	ID
4	43151-329-000	SPRING, BRAKE SHOE .....					
		(ASK)	2	2	-		
	45133-KCC-900	SPRING, FR. BRAKE SHOE .....					
		(JB) (FOR RR.)	2	2	-		
	45133-KPL-900	.....					
		(ASK) (JB) (FOR RR.)	2	2	-		
	43151-329-000	SPRING, BRAKE SHOE .....					
		(ASK)	-	-	2	-----	ID
	45133-KCC-900	SPRING, FR. BRAKE SHOE .....					
		(JB) (FOR RR.)	-	-	2	-----	ID
	45133-KPL-900	.....					
		(ASK) (JB) (FOR RR.)	-	-	2	-----	ID
5	43410-K38-900	ARM, RR. BRAKE .....	1	1	-		
			-	-	1	-----	ID
6	45134-250-000	DUST SEAL, BRAKE CAM .....	1	1	-		
			-	-	1	-----	ID

# F-18

# REAR BRAKE PANEL

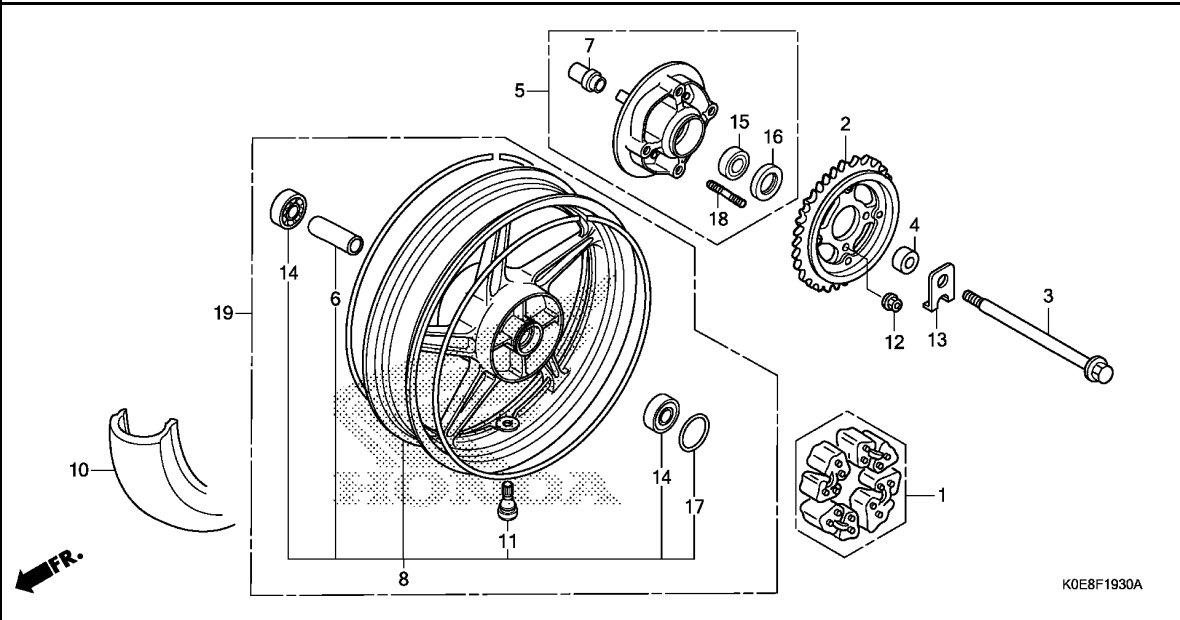


K0E8F1800

Ref. No.	Part No.	Description	Reqd. QTY			Serial No.	Parts catalogue code
			CBF160FS	J	K		
7	45141-KTC-900	CAM, FR. BRAKE (FOR RR.)	1	1	-		
8	90301-KGH-901	NUT, U, 6MM(FUJI SEIMITSU)	1	1	-		----- ID
	90302-KST-942	NUT, FLANGE, 6MM (LEO FASTENERS)	1	1	-		----- ID
	90302-KTE-911	NUT, FLANGE SPECIAL, 6MM (SIMMONDS MARSHALL)	1	1	-		----- ID
	90301-KGH-901	NUT, U, 6MM(FUJI SEIMITSU)	-	-	1		----- ID
	90302-KST-942	NUT, FLANGE, 6MM (LEO FASTENERS)	-	-	1		----- ID
	90302-KTE-911	NUT, FLANGE SPECIAL, 6MM (SIMMONDS MARSHALL)	-	-	1		----- ID
9	90305-KVN-901	NUT, FLANGE, 14MM (SIMMONDS MARSHALL)	1	1	-		----- ID
10	90560-KSP-900	WASHER, R. RR. AXLE	1	1	-		----- ID
			-	-	1		----- ID
11	95701-06035-00	BOLT, FLANGE, 6X35	1	1	-		----- ID
	95702-06035-00	.....	1	1	-		----- ID
	95701-06035-00	.....	-	-	1		----- ID
	95702-06035-00	.....	-	-	1		----- ID

# F-19-30

# REAR WHEEL(DRUM BRAKE)



Ref. No.	L.O.N.	(Relative ref. Number) Description	F.R.T.
1		(17)	
1	710157	DAMPER, REAR WHEEL .....	0.3
2	7101A0	SPROCKET, FINAL DRIVEN .....	0.4
3		(16)	
3	710160	AXLE, REAR WHEEL .....	0.3
5	7101A5	FLANGE ASSY., FINAL DRIVEN ...	0.4
8		(19)	
8	710118	REAR WHEEL .....	0.6
10	710142	REAR TIRE(ONE) .....	0.6
14	710133	BEARING, REAR WHEEL(ONE) .....	0.5
		.Replace 1 bearing add .....	0.1
15	7101D1	BEARING, FINAL DRIVEN FLANGE ..	0.5

**3**

Ref. No.	Part No.	Description	Reqd. QTY			Serial No.	Parts catalogue code
			CBF160FS	J	K		
1	06410-KSP-900	DAMPER SET, WHEEL .....	1	1	-	----- ID	
2	41200-KOE-D00	SPROCKET COMP., FINAL DRIVEN (45T)	1	1	-	----- ID	
3	42301-KOE-D00	AXLE, RR. WHEEL .....	1	1	-	----- ID	
4	42311-KOE-D00	COLLAR, L. RR. WHEEL SIDE ...	1	1	-	----- ID	
5	42615-KOE-D00ZB	FLANGE SUB ASSY., FINAL DRIVEN *NH105*...MAT BLACK (#15-#20)	1	-	-	----- ID	
	42615-KOE-D20ZA	*NH105*...MAT BLACK (#15-#20)	-	1	-	----- ID	
6	42620-KOE-D00	COLLAR, RR. WHEEL DISTANCE ..	1	1	-	----- ID	
7	42303-KOE-D00	SLEEVE, RR. WHEEL .....	1	1	-	----- ID	
8	42650-KOE-D00ZA	WHEEL SUB ASSY., RR. *NH303M*	1	-	-	----- ID	
10	42711-KOE-D01	TIRE, RR.(MRF) (130/70-17 M/C 62P)	1	1	-	----- ID	
	42711-KOE-D21	TIRE, RR.(TVS) (130/70-17 M/C 62P)	-	1	-	----- 3BA,3ID,ID	
	42711-KOE-D01	TIRE, RR.(MRF) (130/70-17 M/C 62P)	-	-	1	----- ID	
	42711-KOE-D21	TIRE, RR.(TVS) (130/70-17 M/C 62P)	-	-	1	----- ID	

# F-19-30

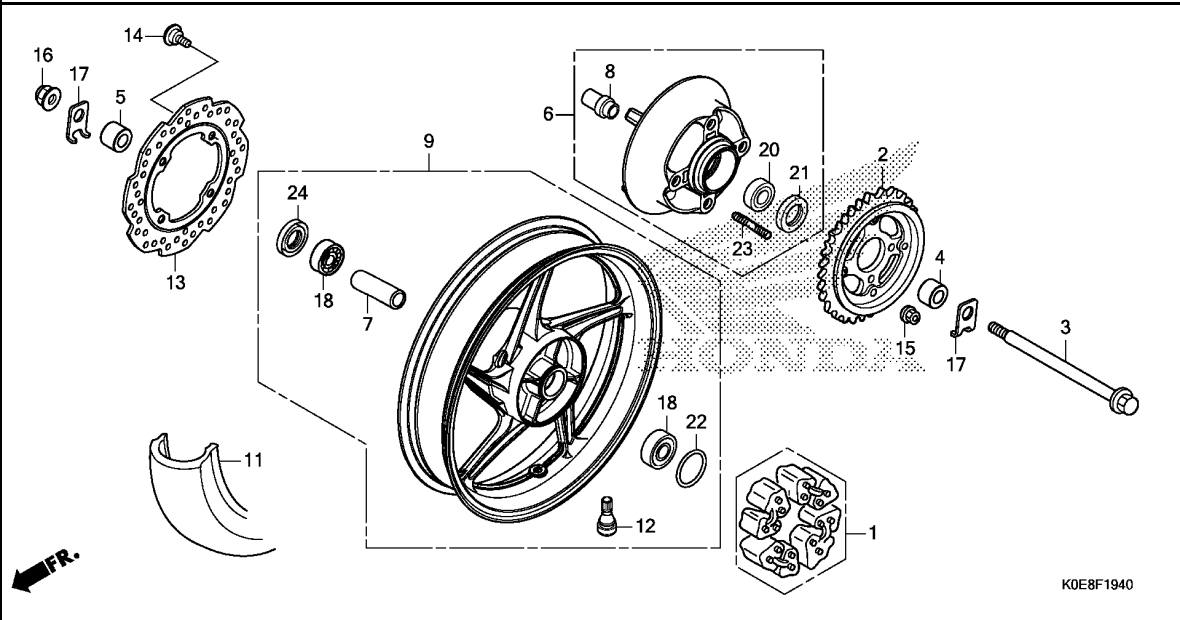
# REAR WHEEL(DRUM BRAKE)

Ref. No.	Part No.	Description	Reqd. QTY			Serial No.	Parts catalogue code
			J	K	M		
11	42753-K24-G11	VALVE, RIM(ACCURA) .....	1	1	-		
	42753-KWF-901	VALVE, RIM(TRITON) .....	1	1	-		
	42753-K24-G11	VALVE, RIM(ACCURA) .....	-	-	1	-----	ID
	42753-KWF-901	VALVE, RIM(TRITON) .....	-	-	1	-----	ID
12	90304-KTE-911	NUT, FLANGE SPECIAL, 10MM (SIMMODS MARSHALL)	4	4	-		
			-	-	4	-----	ID
13	90560-KSP-900	WASHER, R. RR. AXLE .....	1	1	-		
		(L. SIDE)	-	-	1	-----	ID
14	91051-KPP-N01	BEARING, RADIAL BALL, 6302U (FAG)	2	2	-		
			-	-	2	-----	ID
15	91053-K21-901	BEARING, RADIAL BALL, 6004UU (NEI)	1	1	-		
			-	-	1	-----	ID
16	91257-230-003	OIL SEAL, 28X42X7(ARAI) .....	1	1	-		
			-	-	1	-----	ID
17	91352-KSP-900	O-RING, 51X2 .....	1	1	-		
			-	-	1	-----	ID
18	90128-K45-N00	BOLT, STUD, 10X22 .....	4	4	-		
			-	-	4	-----	ID
19	42650-KOE-D20ZB	WHEEL SUB ASSY., RR.(WL)					
		*TYPE4*.....	-	1	-		
	42650-KOE-D20ZC	*TYPE3*.....	-	1	-		
	42650-KOE-D20ZD	*TYPE2*.....	-	1	-		
	42650-KOE-D20ZE	*TYPE1*.....	-	1	-		
	42650-KOE-D50ZA	*NH303M 4* MAT AXIS GRAY METALLIC	-	-	1	-----	ID
	42650-KOE-D50ZB	*NH303M 3* MAT AXIS GRAY METALLIC	-	-	1	-----	ID
	42650-KOE-D50ZC	*NH303M 2* MAT AXIS GRAY METALLIC	-	-	1	-----	ID
	42650-KOE-D50ZD	*NH303M 1* MAT AXIS GRAY METALLIC	-	-	1	-----	ID
	42650-KOE-D50ZE	*NH303M* MAT AXIS GRAY METALLIC	-	-	1	-----	ID



# F-19-40

# REAR WHEEL(DISK BRAKE)



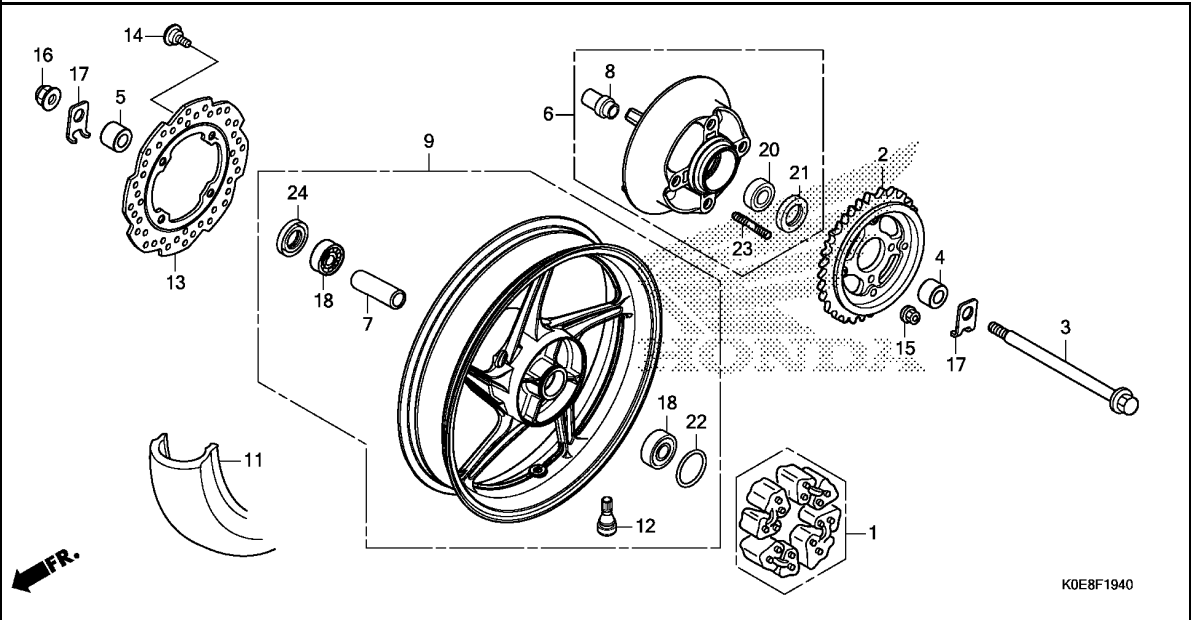
Ref. No.	L.O.N.	(Relative ref. Number) Description	F.R.T.
1		(22)	
1	710157	DAMPER, REAR WHEEL .....	0.3
2	7101A0	SPROCKET, FINAL DRIVEN .....	0.4
3		(21,24)	
3	710160	AXLE, REAR WHEEL .....	0.3
6	7101A5	FLANGE ASSY., FINAL DRIVEN ...	0.4
9	7101G6	REAR WHEEL(A) .....	0.7
11	710142	REAR TIRE(ONE) .....	0.6
13	711145	DISC, REAR BRAKE .....	0.4
18	710133	BEARING, REAR WHEEL(ONE) .....	0.5
	710133G	.Replace 1 bearing add .....	0.1
20	7101D1	BEARING, FINAL DRIVEN FLANGE ..	0.5

**3**

Ref. No.	Part No.	Description	Reqd. QTY			Serial No.	Parts catalogue code
			CBF160FS	J	K		
1	06410-KSP-900	DAMPER SET, WHEEL .....	-	-	1	-----	3ID
2	41200-KOE-D00	SPROCKET COMP., FINAL DRIVEN (45T)	-	-	1	-----	3ID
3	42301-KOE-D00	AXLE, RR. WHEEL .....	-	-	1	-----	3ID
4	42311-KOE-D00	COLLAR, L. RR. WHEEL SIDE ...	-	-	1	-----	3ID
5	42311-KOE-D70	COLLAR, R. RR. WHEEL SIDE ...	-	-	1	-----	3ID
6	42615-KOE-D20ZA	FLANGE SUB ASSY., FINAL DRIVEN *NH105*...MAT BLACK (#15-#20)	-	-	1	-----	3ID
7	42620-KSP-B00	COLLAR, RR. AXLE DISTANCE ...	-	-	1	-----	3ID
8	42303-KOE-D00	SLEEVE, RR. WHEEL .....	-	-	1	-----	3ID
9	42650-KOE-D70ZA	WHEEL SUB ASSY., RR.(WL) *NH303M 4*	-	-	1	-----	3ID
	42650-KOE-D70ZB	*NH303M 3* MAT AXIS GRAY METALLIC	-	-	1	-----	3ID
	42650-KOE-D70ZC	*NH303M 2* MAT AXIS GRAY METALLIC	-	-	1	-----	3ID
	42650-KOE-D70ZD	*NH303M 1* MAT AXIS GRAY METALLIC	-	-	1	-----	3ID
	42650-KOE-D70ZE	*NH303M* MAT AXIS GRAY METALLIC	-	-	1	-----	3ID
11	42711-KOE-D01	TIRE, RR.(MRF) (130/70-17 M/C 62P)	-	-	1	-----	3ID
	42711-KOE-D21	TIRE, RR.(TVS) (130/70-17 M/C 62P)	-	-	1	-----	3ID
12	42753-K24-G11	VALVE, RIM(ACCURA) .....	-	-	1	-----	3ID
	42753-KWF-901	VALVE, RIM(TRITON) .....	-	-	1	-----	3ID
13	43251-K43-911	DISK, RR. BRAKE(YUTAKA) .....	-	-	1	-----	3ID

# F-19-40

# REAR WHEEL(DISK BRAKE)

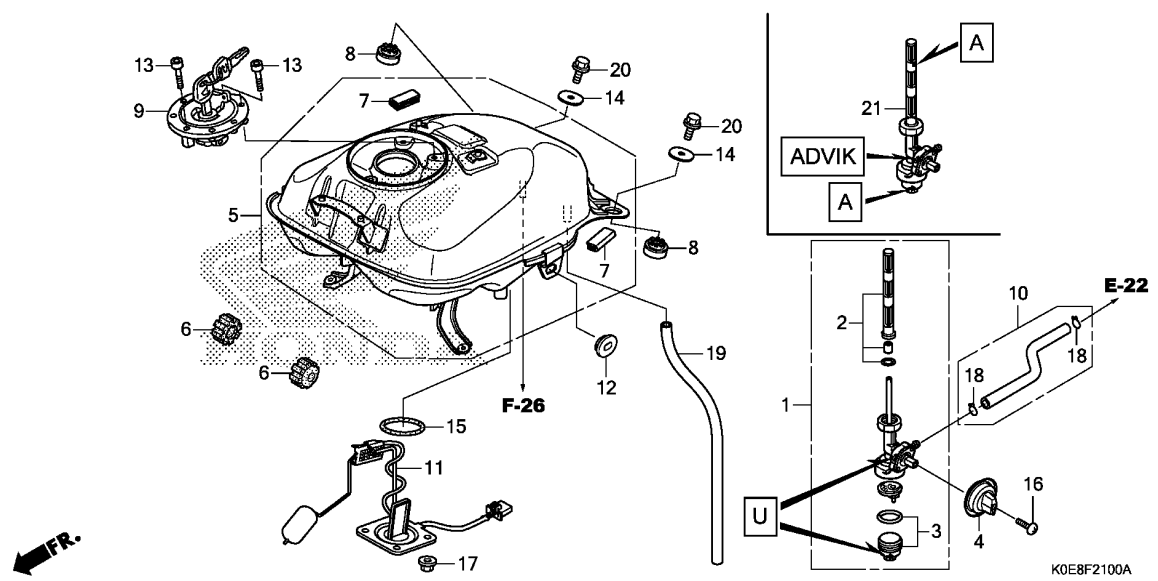


Ref. No.	Part No.	Description	Reqd. QTY			Serial No.	Parts catalogue code
			CBF160FS	J	K		
14	90105-KSP-870	BOLT, DISK, 8X24 .....	-	-	4	-----	3ID
15	90304-KTE-911	NUT, FLANGE SPECIAL, 10MM (SIMMODS MARSHALL)	-	-	4	-----	3ID
16	90305-KVN-901	NUT, FLANGE, 14MM (SIMMONDS MARSHALL)	-	-	1	-----	3ID
17	90560-KSP-900	WASHER, R. RR. AXLE .....	-	-	2	-----	3ID
18	91051-KPP-N01	BEARING, RADIAL BALL, 6302U (FAG)	-	-	2	-----	3ID
20	91053-K21-901	BEARING, RADIAL BALL, 6004UU (NEI)	-	-	1	-----	3ID
21	91257-230-003	OIL SEAL, 28X42X7(ARAI) .....	-	-	1	-----	3ID
22	91352-KSP-900	O-RING, 51X2 .....	-	-	1	-----	3ID
23	90128-K45-N00	BOLT, STUD, 10X22 .....	-	-	4	-----	3ID
24	91257-230-003	OIL SEAL, 28X42X7(ARAI) .....	-	-	1	-----	3ID

**3**

# F-21

# FUEL TANK(CBF160FSJ/K)



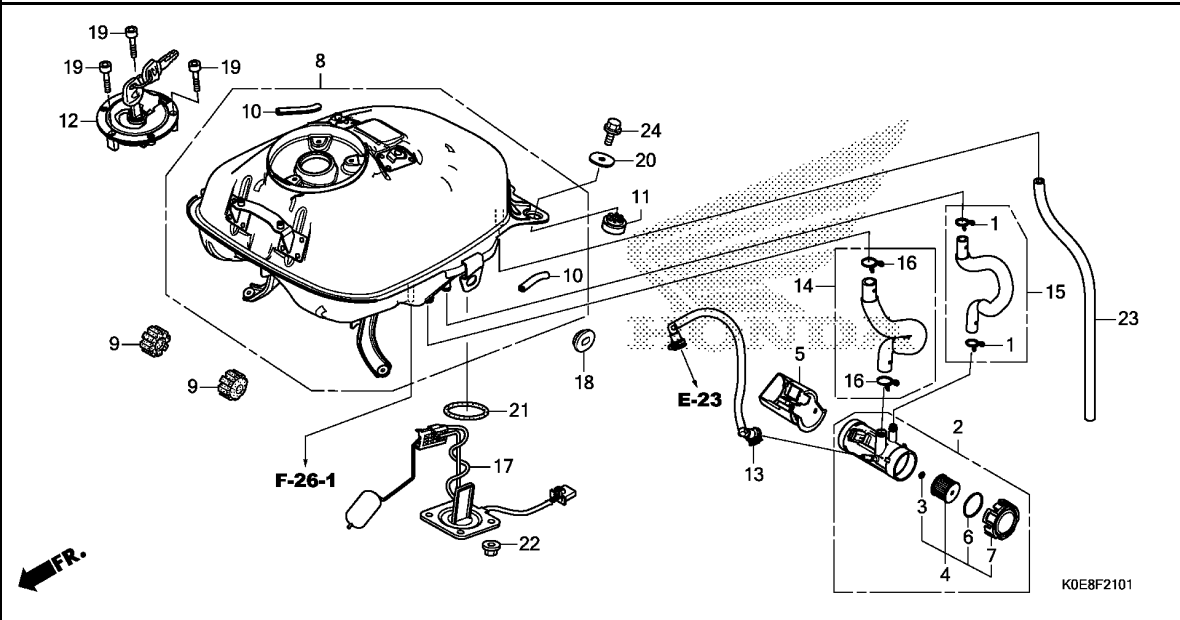
Ref. No.	L.O.N.	(Relative ref. Number) Description	F.R.T.
1		(21)	
1	310110	COCK ASSY., FUEL .....	0.4
2	310115	SCREEN, FUEL STRAINER .....	0.4
3	3101A6	CUP, FUEL STRAINER .....	0.1
5	310100	TANK, FUEL .....	0.7
9	3101C1	LOCKING FUEL TANK CAP .....	0.1
10	3101B5	TUBE, FUEL .....	0.4
11		(15)	
	617105	FUEL TANK SENDING UNIT .....	0.7

**3**

Ref. No.	Part No.	Description	Reqd. QTY			Serial No.	Parts catalogue code
			CBF160FS	J	K		
1	16950-KOE-D01	COCK ASSY., FUEL(UCAL) .....	1	1	-		
2	16952-KOE-D01	SCREEN SET, FUEL STRAINER ...	1	1	-	-----	3BA,BA,SL
3	16953-K43-900	CUP SET, FUEL STRAINER .....	1	1	-	-----	3BA,BA,SL
4	16955-KOE-D00	LEVER, FUEL COCK .....	1	1	-		
5	17530-KOE-D00	TANK SUB ASSY., FUEL .....	1	1	-		
6	17611-KFN-850	CUSHION, FR. FUEL TANK .....	2	2	-		
7	17612-K43-900	RUBBER, BODY COVER SETTING ..	2	2	-		
8	17613-K43-900	CUSHION, FUEL TANK .....	2	2	-		
9	17620-KSP-862	CAP COMP., FUEL FILLER .....	1	1	-		
10	17681-KOE-D00	TUBE, FUEL .....	1	1	-		
11	37800-KOE-D01	FUEL UNIT .....	1	1	-		
12	83551-300-000	GROMMET, AIR CLEANER CASE ...	2	2	-		
13	90111-KSP-860	BOLT, SOCKET, 4X21 .....	3	3	-		
14	90136-428-870	WASHER, TANK SETTING .....	2	2	-		
15	91351-K21-900	O-RING, 39.5X5 .....	1	1	-		
16	93500-04035-0G	SCREW, PAN, 4X35 .....	1	1	-		
17	94050-06000	NUT, FLANGE, 6MM .....	4	4	-		
18	95002-02100	CLIP, TUBE(B10) .....	2	2	-		
19	95005-80680-20	TUBE, 8X680(95005-80001-20M)	1	1	-		
20	95701-06012-00	BOLT, FLANGE, 6X12 .....	2	2	-		
21	16950-KOE-D02	COCK ASSY., FUEL(ADVIK) .....	1	1	-		

# F-21-1

# FUEL TANK(CBF160FSM)



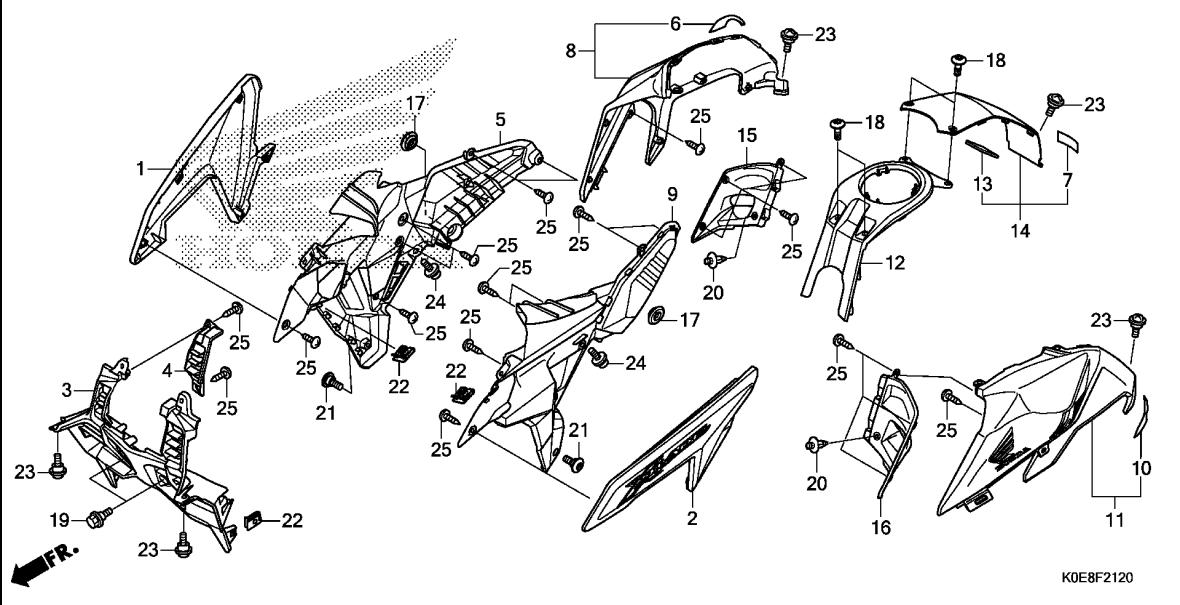
Ref. No.	L.O.N.	(Relative ref. Number) Description	F.R.T.
2	310120	PUMP ASSY., FUEL .....	0.9
4		(3,6)	
	3101C7	FILTER, FUEL .....	0.3
8	3101E2	TANK, FUEL(A) .....	0.8
12	3101C1	LOCKING FUEL TANK CAP .....	0.1
13	310162	HOSE, FUEL FEED .....	0.8
14	3101G7	TUBE, FUEL(A) .....	0.8
15	310165	HOSE, FUEL RETURN .....	0.8
17		(21)	
	6171D8	FUEL TANK SENDING UNIT(A) ....	0.8

Ref. No.	Part No.	Description	Reqd. QTY			Serial No.	Parts catalogue code
			CBF160FS	J	K		
1	15771-KV6-000	CLIP, OIL DRAIN TUBE .....	-	-	2		
2	16700-KOY-D01	PUMP UNIT, FUEL .....	-	-	1		
3	16706-KVB-S51	O-RING(P7) .....	-	-	1		
4	16707-KOY-D01	FILTER SET .....	-	-	1		
5	16715-K1K-D00	RUBBER, FUEL PUMP .....	-	-	1		
6	16723-KOY-D01	O-RING, FILTER .....	-	-	1		
7	16724-KOY-D01	COVER, FILTER .....	-	-	1		
8	17500-KOE-D50	TANK ASSY., FUEL .....	-	-	1		
9	17611-KFN-850	CUSHION, FR. FUEL TANK .....	-	-	2		
10	17612-K43-900	RUBBER, BODY COVER SETTING ..	-	-	2		
11	17613-K43-900	CUSHION, FUEL TANK .....	-	-	2		
12	17620-KOE-D51	CAP COMP., FUEL FILLER .....	-	-	1		
13	17650-K1K-D01	HOSE COMP., FUEL FEED .....	-	-	1		
14	17688-KOE-D50	TUBE ASSY., PUMP FEED .....	-	-	1		
15	17689-KOE-D50	TUBE ASSY., PUMP RETURN .....	-	-	1		
16	17724-KON-D00	CLIP, TUBE(B18.2) .....	-	-	2		
17	37800-KOE-D51	FUEL UNIT .....	-	-	1		
18	83551-300-000	GROMMET, AIR CLEANER CASE ...	-	-	2		
19	90120-MJE-D00	BOLT, SOCKET, 4X25(SUS) .....	-	-	3		
20	90136-428-870	WASHER, TANK SETTING .....	-	-	2		
21	91351-K21-900	O-RING, 39.5X5 .....	-	-	1		
22	94050-06000	NUT, FLANGE, 6MM .....	-	-	4		
23	95005-80680-20	TUBE, 8X680(95005-80001-20M)	-	-	1		
24	95701-06012-00	BOLT, FLANGE, 6X12 .....	-	-	2		



# F-21-20

# FUEL TANK COVER



Ref. No.	L.O.N.	(Relative ref. Number) Description	F.R.T.
1	4111BX	SHROUD :RIGHT .....	0.4
2	4111BW	SHROUD :LEFT .....	0.4
	4111BY	SHROUD :BOTH .....	0.7
3		(4)	
	4131GN	SHROUD, CENTER .....	0.2
5	4111CE	SHROUD :RIGHT INNER .....	0.4
8	4131Q7	COVER, TANK SIDE :RIGHT .....	0.4
9	4111CD	SHROUD :LEFT INNER .....	0.4
	4110CF	SHROUD :BOTH INNER .....	0.6
11	4131Q6	COVER, TANK SIDE :LEFT .....	0.4
	4131Q8	COVER, TANK SIDE :BOTH .....	0.7
12	413121	COVER, FUEL TANK TOP .....	0.2
14	4131Q5	COVER, FUEL TANK CENTER .....	0.1
15	4131EQ	COVER, FUEL TANK INNER :RIGHT .....	0.4
16	4131ER	COVER, FUEL TANK INNER :LEFT .....	0.4
	4131ET	COVER, FUEL TANK INNER :BOTH .....	0.5

**3**

Ref. No.	Part No.	Description	Reqd. QTY			Serial No.	Parts catalogue code
			CBF160FS	J	K		
1	50240-KOE-D00ZF	SHROUD SET, R. GARNISH(WL)					
		*NHB05P*..PEARL IGNEOUS BLACK	1	1	-	-----	3BA,3ID,BA,ID
	50240-KOE-S00ZA	*NHB05P*..PEARL IGNEOUS BLACK	1	-	-	-----	SL
	50240-KOE-D50ZA	*TYPE6*	-	-	1		
	50240-KOE-D50ZB	*TYPE5*	-	-	1		
	50240-KOE-D50ZC	*TYPE4*	-	-	1		
	50240-KOE-D50ZD	*TYPE3*	-	-	1		
	50240-KOE-D50ZE	*TYPE2*	-	-	1		
	50240-KOE-D50ZF	*TYPE1*	-	-	1		
2	50250-KOE-D00ZF	SHROUD SET, L. GARNISH(WL)					
		*NHB05P*..PEARL IGNEOUS BLACK	1	1	-	-----	3BA,3ID,BA,ID
	50250-KOE-S00ZA	*NHB05P*..PEARL IGNEOUS BLACK	1	-	-	-----	SL
	50250-KOE-D50ZA	*TYPE6*	-	-	1		
	50250-KOE-D50ZB	*TYPE5*	-	-	1		
	50250-KOE-D50ZC	*TYPE4*	-	-	1		
	50250-KOE-D50ZD	*TYPE3*	-	-	1		
	50250-KOE-D50ZE	*TYPE2*	-	-	1		
	50250-KOE-D50ZF	*TYPE1*	-	-	1		
3	50271-KOE-D00	GARNISH, SHROUD CENTER .....	1	1	-		
	50271-KOE-D50	.....	-	-	1		
4	50272-KOE-D00	COVER, SHROUD INNER .....	1	-	-		
		.....	-	1	-	-----	BA
5	64412-KOE-D00	COVER, R. FUEL TANK(LOWER) ..	1	1	1		
6	64413-KOE-D00	FILM, R. TANK COVER PROTECTOR	1	1	1		
7	64414-KOE-D00	FILM, TANK COVER PROTECTOR ..	1	1	1		
8	64415-KOE-D00ZA	COVER ASSY., R. FUEL TANK(WL)					
		*TYPE5*	1	1	-		
	64415-KOE-D00ZB	*TYPE4*	1	1	-		

**F-21-20**

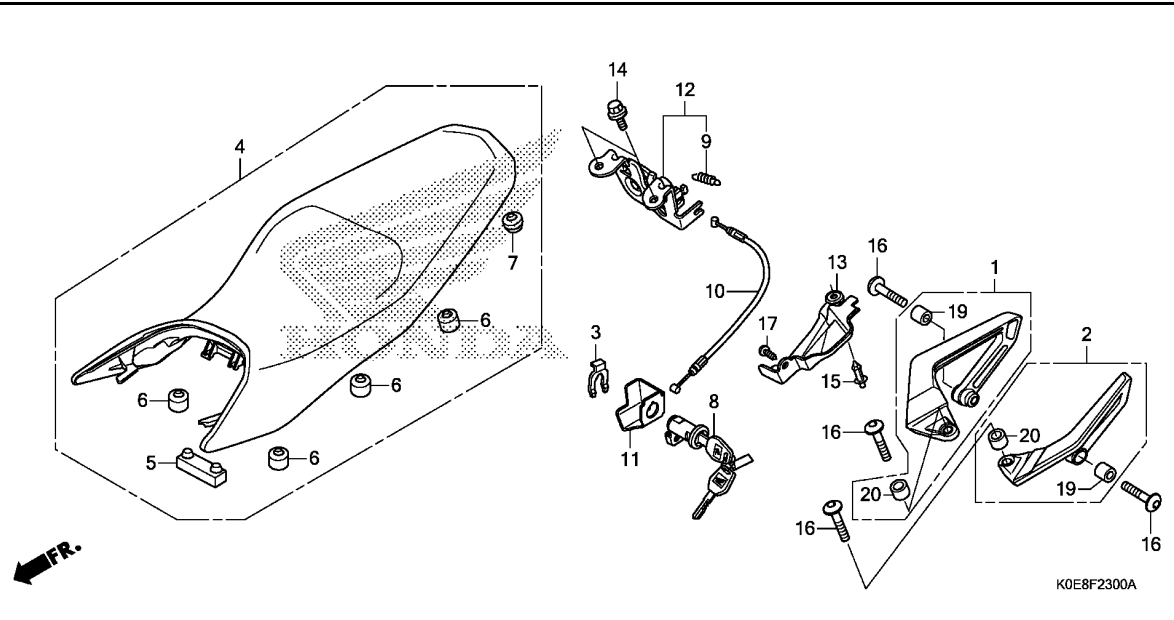
**FUEL TANK COVER**

Ref. No.	Part No.	Description	Reqd. QTY			Serial No.	Parts catalogue code
			J	K	M		
(8)	64415-KOE-D00ZC	COVER ASSY., R. FUEL TANK(WL)					
		*TYPE3*	1	1	-		
	64415-KOE-D00ZD	*TYPE2*	1	1	-		
	64415-KOE-D00ZE	*TYPE1*	1	1	-		
	64415-KOE-D50ZA	*TYPE6*	-	-	1		
	64415-KOE-D50ZB	*TYPE5*	-	-	1		
	64415-KOE-D50ZC	*TYPE4*	-	-	1		
	64415-KOE-D50ZD	*TYPE3*	-	-	1		
	64415-KOE-D50ZE	*TYPE2*	-	-	1		
	64415-KOE-D50ZF	*TYPE1*	-	-	1		
9	64422-KOE-D00	COVER, L. FUEL TANK(LOWER)	1	1	1		
10	64423-KOE-D00	FILM, L. TANK COVER PROTECTOR	1	1	1		
11	64425-KOE-D00ZA	COVER ASSY., L. FUEL TANK(WL)					
		*TYPE5*	1	1	-		
	64425-KOE-D00ZB	*TYPE4*	1	1	-		
	64425-KOE-D00ZC	*TYPE3*	1	1	-		
	64425-KOE-D00ZD	*TYPE2*	1	1	-		
	64425-KOE-D00ZE	*TYPE1*	1	1	-		
	64425-KOE-D50ZA	*TYPE6*	-	-	1		
	64425-KOE-D50ZB	*TYPE5*	-	-	1		
	64425-KOE-D50ZC	*TYPE4*	-	-	1		
	64425-KOE-D50ZD	*TYPE3*	-	-	1		
	64425-KOE-D50ZE	*TYPE2*	-	-	1		
	64425-KOE-D50ZF	*TYPE1*	-	-	1		
12	64431-KOE-D00	COVER A, FUEL TANK CENTER	1	1	-		
	64431-KOE-D50	.....	-	-	1		
13	64432-K43-900	SPONGE, FUEL TANK CENTER COVER RUBBER	1	1	1		
14	64440-KOE-D00ZB	COVER ASSY. B, FUEL TANK CENTER					
		*NHBD5P*..PEARL IGNEOUS BLACK	1	1	1		
	64440-KOE-D00ZA	*R355M*.IMPERIAL RED METALLIC	1	1	-		
	64440-KOE-D00ZC	*YR250*.....VIBRANT ORANGE	-	-	1		
	64440-KOE-D00ZE	*NHBD6M*SPACE SILVER METALLIC	-	-	1		
	64440-KOE-D00ZF	*NHC56M* FORCE SILVER METALLIC 2	-	-	1		
15	64461-KOE-D00	COVER, R. FUEL TANK INNER	1	1	-		
	64461-KOE-D50	.....	-	-	1		
16	64471-KOE-D00	COVER, L. FUEL TANK INNER	1	1	1		
17	83551-376-000	GROMMET, SIDE COVER	2	2	2		
18	90107-KOE-D00	SCREW, PAN, 5X12	4	4	4		
19	90111-187-000	BOLT, FLANGE, 6MM	2	2	2		
20	90116-SP0-003	CLIP, BUMPER SEAL	2	2	2		
21	90134-KPP-T00	SCREW, PAN, 5X14	2	2	2		
22	90677-KAN-T00	NUT, CLIP, 5MM	4	4	-		
	90654-KOL-D00	.....	-	-	4		
23	91509-GE2-760	SCREW, PAN, 5X11.5	5	5	5		
24	93894-05010-07	SCREW-WASHER, 5X10	2	2	2		
25	93903-25280	SCREW, TAPPING, 5X12	22	20	20	----- 3BA,3ID,ID,SL	
			-	22	-	----- BA	



# F-23

# SEAT/REAR GRIP



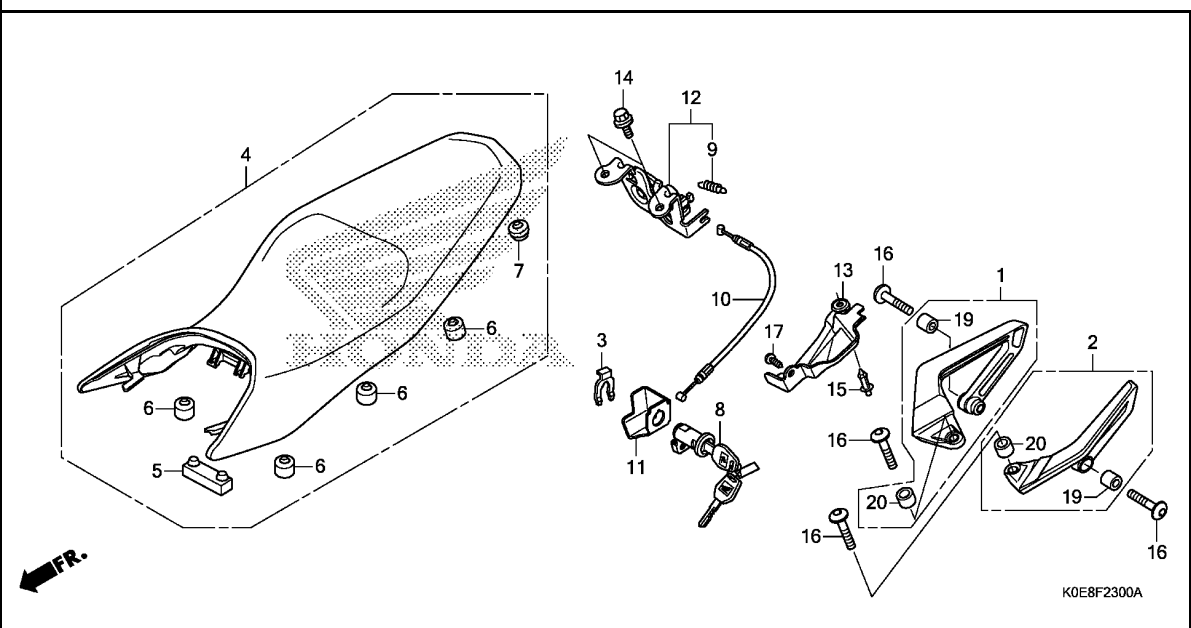
Ref. No.	L.O.N.	(Relative ref. Number) Description	F.R.T.
1	4131F4	RAIL, GRAB :RIGHT .....	0.1
2	4131F3	RAIL, GRAB :LEFT .....	0.1
	4131F5	RAIL, GRAB :BOTH .....	0.1
8	4131F2	KEY, SEAT LOCK .....	0.2
10	811175	CABLE, SEAT LOCK .....	0.6
12	4131F0	LOCK, SEAT .....	0.6

**3**

Ref. No.	Part No.	Description	Reqd. QTY			Serial No.	Parts catalogue code
			CBF160FS	J	K		
1	50400-KOE-D00ZA	GRIP, R. RR. *NH105*...MAT BLACK (#15-#20)	1	1	-		
	50400-KOE-D50ZA	*YR371M* MAT MARMALADE ORANGE METALLIC	-	-	1		
	50400-KOE-D50ZB	*YR250*...VIBRANT ORANGE	-	-	1		
	50400-KOE-D50ZD	*NH303M* MAT AXIS GRAY METALLIC	-	-	1		
	50400-KOE-D50ZE	*NHC56M* FORCE SILVER METALLIC 2	-	-	1		
2	50450-KOE-D00ZA	GRIP, L. RR. *NH105*...MAT BLACK (#15-#20)	1	1	-		
	50450-KOE-D50ZA	*YR371M* MAT MARMALADE ORANGE METALLIC	-	-	1		
	50450-KOE-D50ZB	*YR250*...VIBRANT ORANGE	-	-	1		
	50450-KOE-D50ZD	*NH303M* MAT AXIS GRAY METALLIC	-	-	1		
	50450-KOE-D50ZE	*NHC56M* FORCE SILVER METALLIC 2	-	-	1		
3	75581-GN8-920	SPRING, LOCK KEY SETTING	1	1	1		
4	77200-KOE-D01	SEAT COMP., DOUBLE	1	1	1		
5	77205-286-000	RUBBER B, SEAT SETTING	1	1	1		
6	77206-KTE-910	RUBBER, SEAT SETTING	6	6	6		
7	77206-KWS-900	RUBBER, SEAT SETTING	2	2	2		
8	77225-K43-901	LOCK ASSY., SEAT	1	1	1		
9	77234-GN2-000	SPRING, SEAT LOCK	1	1	1		
10	77240-K43-900	CABLE, SEAT LOCK	1	1	1		
11	77241-K43-900	STAY, SEAT LOCK CABLE	1	1	1		

# F-23

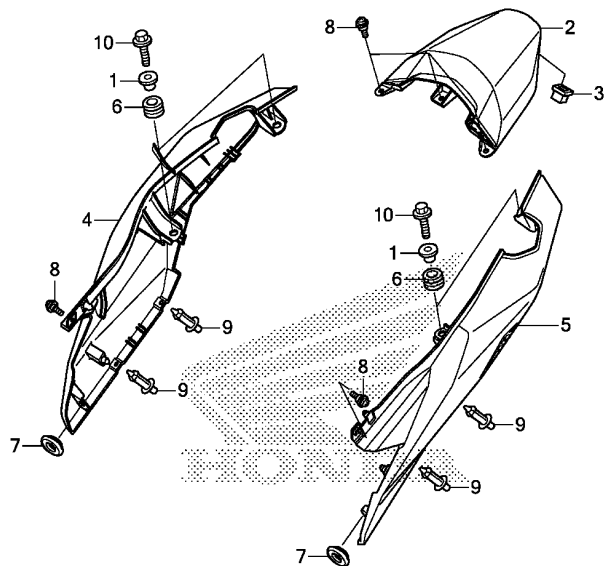
# SEAT/REAR GRIP



Ref. No.	Part No.	Description	Reqd. QTY			Serial No.	Parts catalogue code
			CBF160FS	J	K		
12	77250-KOE-D00	LOCK COMP., SEAT .....	1	1	1		
13	83640-KOE-D00	COVER, SEAT LOCK CABLE .....	1	1	1		
14	96001-06012-00	BOLT, FLANGE, 6X12 .....	2	2	2		
15	90116-SP0-003	CLIP, BUMPER SEAL .....	1	1	1		
16	90128-KYJ-900	BOLT, SPROCKET FIXING .....	4	4	4		
17	93903-24380	SCREW, TAPPING, 4X12 .....	1	1	1		
19	50401-KOE-D00	COLLAR, RR. GRIP(A) .....	2	2	2		
20	50402-KOE-D00	COLLAR, RR. GRIP(B) .....	2	2	2		

# F-23-10

# REAR COWL



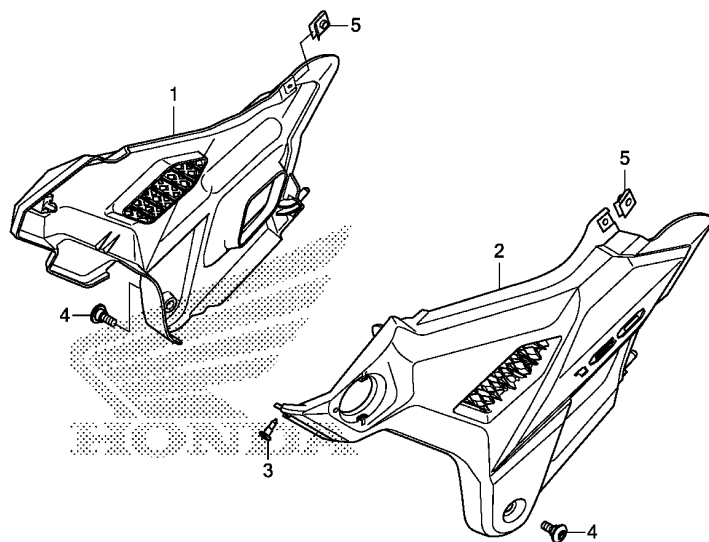
Ref. No.	L.O.N.	(Relative ref. Number) Description	F.R.T.
2	411135	COWL, REAR .....	0.3
4	4111X7	COWL, REAR :RIGHT .....	0.2
5	4111X6	COWL, REAR :LEFT .....	0.2
	4111X8	COWL, REAR :BOTH .....	0.3

3

Ref. No.	Part No.	Description	Reqd. QTY			Serial No.	Parts catalogue code
			CBF160FS	J	K		
1	17232-KYJ-900	COLLAR, AIR CLEANER MOUNTING	4	4	4		
2	77231-KOE-D00	COWL, RR. CENTER .....	1	1	1		
3	77232-KOE-D00	GROMMET .....	1	1	1		
4	77270-KOE-D00ZA	COWL SET, R. RR.(WL)					
		*TYPE5*	1	1	-		
	77270-KOE-D00ZB	*TYPE4*	1	1	-		
	77270-KOE-D00ZC	*TYPE3*	1	1	-		
	77270-KOE-D00ZD	*TYPE2*	1	1	-		
	77270-KOE-D00ZE	*TYPE1*	1	1	-		
	77270-KOE-D50ZB	*TYPE1*	-	-	1		
5	77280-KOE-D00ZA	COWL SET, L. RR.(WL)					
		*TYPE5*	1	1	-		
	77280-KOE-D00ZB	*TYPE4*	1	1	-		
	77280-KOE-D00ZC	*TYPE3*	1	1	-		
	77280-KOE-D00ZD	*TYPE2*	1	1	-		
	77280-KOE-D00ZE	*TYPE1*	1	1	-		
	77281-KOE-D00ZA	COWL, L. RR.(WOL)					
		*NH303M*					
		MAT AXIS GRAY METALLIC	-	-	1		
6	83545-KCJ-690	RUBBER, SIDE COVER .....	4	4	4		
7	83551-376-000	GROMMET, SIDE COVER .....	2	2	2		
8	90101-GEO-000	SCREW, HINGE PATCH .....	5	5	5		
9	90116-SPO-003	CLIP, BUMPER SEAL .....	4	4	4		
10	95701-06020-00	BOLT, FLANGE, 6X20 .....	4	4	4		

# F-24

# SIDE COVER



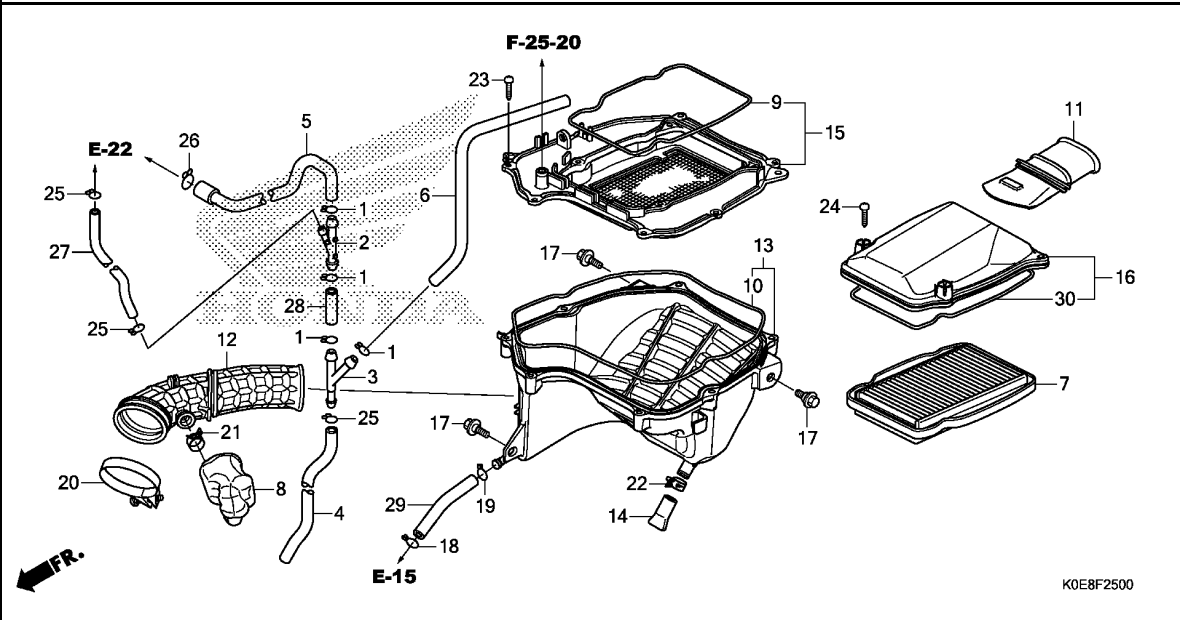
Ref. No.	L.O.N.	(Relative ref. Number) Description	F.R.T.
1	4111H9	COVER, SIDE :RIGHT .....	0.1
2	4111H8	COVER, SIDE :LEFT .....	0.1
	4111J0	COVER, SIDE :BOTH .....	0.2

Ref. No.	Part No.	Description	Reqd. QTY			Serial No.	Parts catalogue code
			CBF160FS				
			J	K	M		
1	83561-KOE-D00	COVER, R. SIDE .....	1	1	-		
	83561-KOE-D50	.....	-	-	1		
2	83571-KOE-D00	COVER, L. SIDE .....	1	1	-		
	83571-KOE-D50	.....	-	-	1		
3	90116-SPO-003	CLIP, BUMPER SEAL .....	1	1	1		
4	90134-KPP-T00	SCREW, PAN, 5X14 .....	2	2	2		
5	90320-KTE-600	NUT, SPRING, 5MM .....	2	2	2		



# F-25

# AIR CLEANER(CBF160FSJ/K)



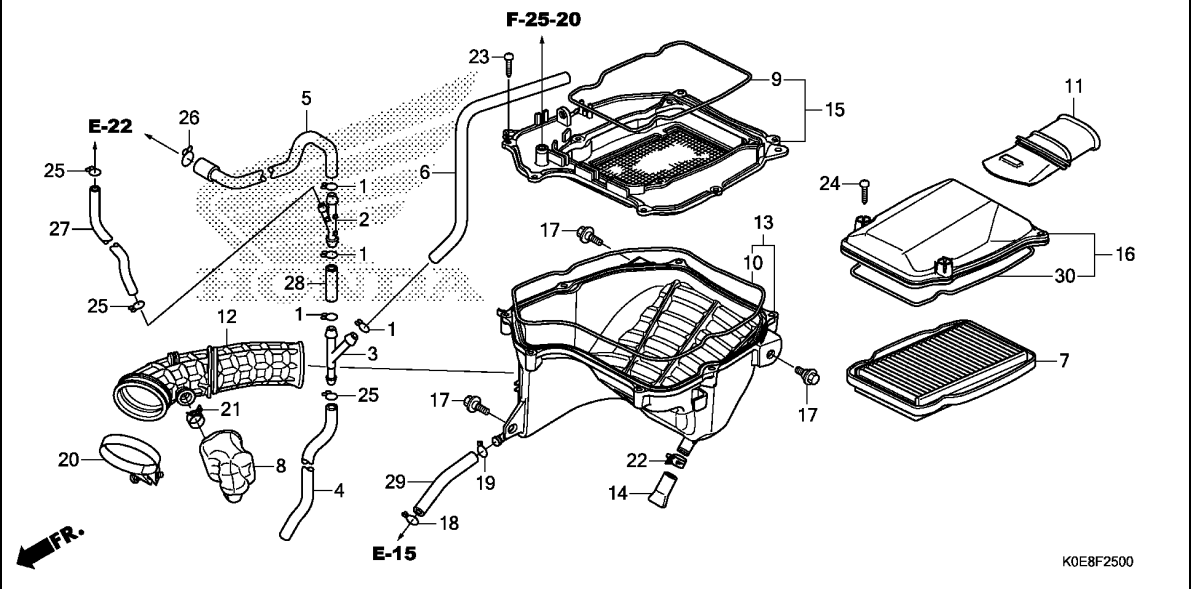
Ref. No.	L.O.N.	(Relative ref. Number) Description	F.R.T.
7	312105	ELEMENT, AIR CLEANER	0.1
8	3121C1	RESONATOR	0.5
12	3121B6	TUBE, AIR CLEANER CONNECTING	1.8
13	3121D1	CASE, AIR CLEANER :LOWER	1.8
15	3121D0	CASE, AIR CLEANER :MIDDLE (11)	1.7
16	312102	COVER, AIR CLEANER CASE	0.2

3

Ref. No.	Part No.	Description	Reqd. QTY			Serial No.	Parts catalogue code
			CBF160FS	J	K		
1	16163-GHB-600	CLIP, TUBE	4	4	-		
2	16180-K43-900	JOINT A, 3WAY	1	1	-		
3	16181-K43-900	JOINT B, 3WAY	1	1	-		
4	16956-K0E-D00	TUBE, DRAIN	1	1	-		
5	16199-K0E-D00	TUBE A, AIR VENT	1	1	-		
6	16198-K38-940	TUBE, AIR VENT	1	1	-		
7	17211-K38-901	ELEMENT COMP., AIR CLEANER	1	1	-		
8	17213-K43-D00	RESONATOR	1	1	-		
9	17214-K38-900	SEAL, AIR CLEANER	1	1	-		
10	17215-KSP-900	SEAL A, AIR CLEANER	1	1	-		
11	17219-K43-D00	DUCT, AIR CLEANER	1	1	-		
12	17222-K38-900	TUBE, AIR CLEANER CONNECTING	1	1	-		
13	17225-K43-D00	CASE SUB ASSY., AIR CLEANER	1	1	-		
14	17227-KTE-910	TUBE, VINYL, 11X15X40	1	1	-		
15	17235-K38-901	HOLDER SUB ASSY., AIR CLEANER	1	1	-		
16	17245-K43-D00	COVER SUB ASSY., AIR CLEANER	1	1	-		
17	90111-162-000	BOLT, FLANGE, 6MM	3	3	-		
18	90651-KM9-000	CLIP, TUBE(B14)	1	1	-		
19	90651-MK3-780	CLIP, TUBE(B12.5)	1	1	-		
20	90652-K43-900	BAND, AIR CLEANER CONNECTING TUBE(54MM)	1	1	-		
21	90678-K38-900	CLIP, RESONATOR	1	1	-		
22	91406-KFN-850	CLAMP, TUBE(D14.5)	1	1	-		
23	93903-25480	SCREW, TAPPING, 5X20	7	7	-		
24	93903-25580	SCREW, TAPPING, 5X25	4	4	-		

# F-25

# AIR CLEANER(CBF160FSJ/K)

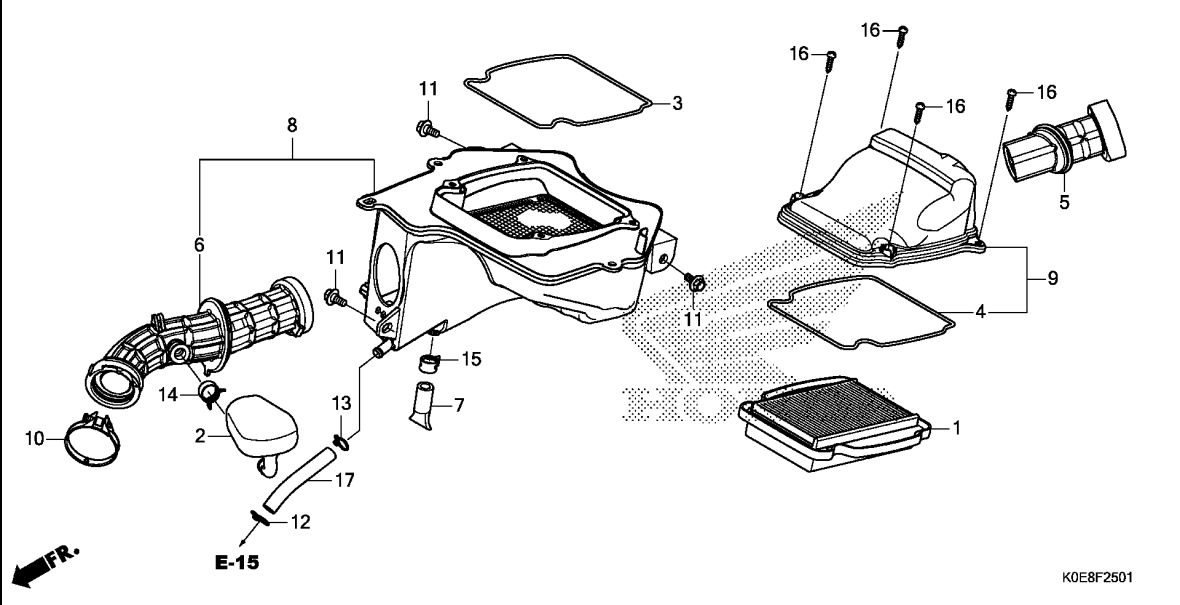


Ref. No.	Part No.	Description	Reqd. QTY			Serial No.	Parts catalogue code
			CBF160FS J	K	M		
25	95002-02089	CLIP, TUBE(B1 8) .....	3	3	-		
26	95002-70000	CLIP, TUBE(C11) .....	1	1	-		
27	95005-45140-50	TUBE, 4.5X140 .....	1	1	-		
28	95005-50035-50	TUBE, 5X35 (95005-50001-50M) ..	1	1	-		
29	95005-80095-20	TUBE, 8X95 (95005-80001-20M) ..	1	1	-		
30	17214-K38-900	SEAL, AIR CLEANER .....	1	1	-		



# F-25-1

# AIR CLEANER(CBF160FSM)



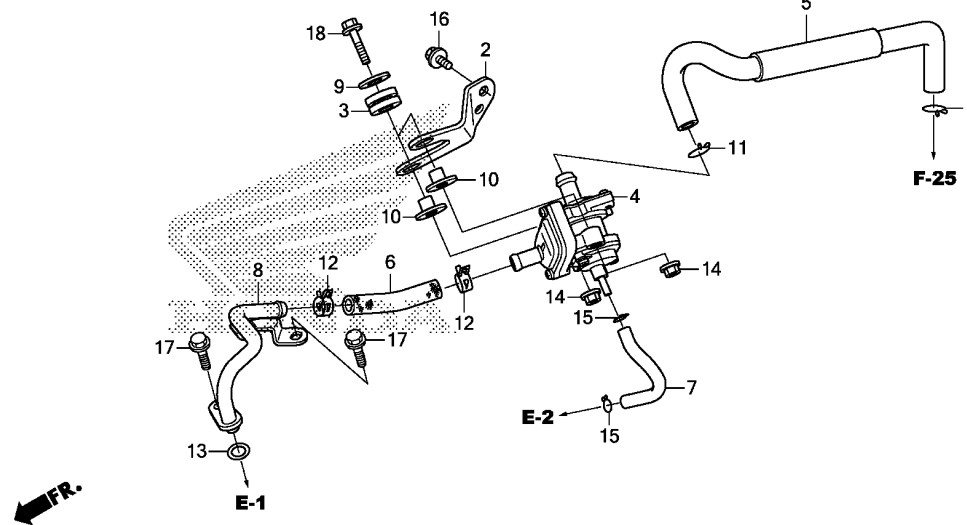
Ref. No.	L.O.N.	(Relative ref. Number) Description	F.R.T.
1	312105	ELEMENT, AIR CLEANER .....	0.1
2	3121L9	RESONATOR(A) .....	0.1
6	3121H6	TUBE, AIR CLEANER CONNECTING (A) .....	2.0
8	3121A5	CASE, AIR CLEANER .....	1.9
9	312102	COVER, AIR CLEANER CASE .....	0.2

**3**

Ref. No.	Part No.	Description	Reqd. QTY			Serial No.	Parts catalogue code
			CBF160FS	J	K		
1	17211-K1K-D00	ELEMENT COMP., AIR CLEANER ..	-	-	1		
2	17213-K1K-D00	RESONATOR .....	-	-	1		
3	17214-K1K-D00	SEAL, AIR CLEANER COVER .....	-	-	1		
4	17214-K1K-D00	SEAL, AIR CLEANER COVER .....	-	-	1		
5	17219-K1K-D00	DUCT, AIR CLEANER .....	-	-	1		
6	17222-K1K-D00	TUBE, AIR CLEANER CONNECTING	-	-	1		
7	17227-KTE-910	TUBE, VINYL, 11X15X40 .....	-	-	1		
8	17230-K1K-D00	CASE SUB COMP., AIR CLEANER ..	-	-	1		
9	17245-K1K-D00	COVER SUB ASSY., AIR CLEANER ..	-	-	1		
10	17255-KOL-D00	BAND, AIR CLEANER CONNECTING TUBE(48)	-	-	1		
11	90111-162-000	BOLT, FLANGE, 6MM .....	-	-	3		
12	90651-KM9-000	CLIP, TUBE(B14) .....	-	-	1		
13	90651-MK3-780	CLIP, TUBE(B12.5) .....	-	-	1		
14	90678-K38-900	CLIP, RESONATOR .....	-	-	1		
15	91406-KFN-850	CLAMP, TUBE(D14.5) .....	-	-	1		
16	93903-25480	SCREW, TAPPING, 5X20 .....	-	-	4		
17	95005-80085-20	TUBE, 8X85(95005-80001-20M) ..	-	-	1		

# F-25-20

# AIR SUCTION VALVE



K0E8F2520

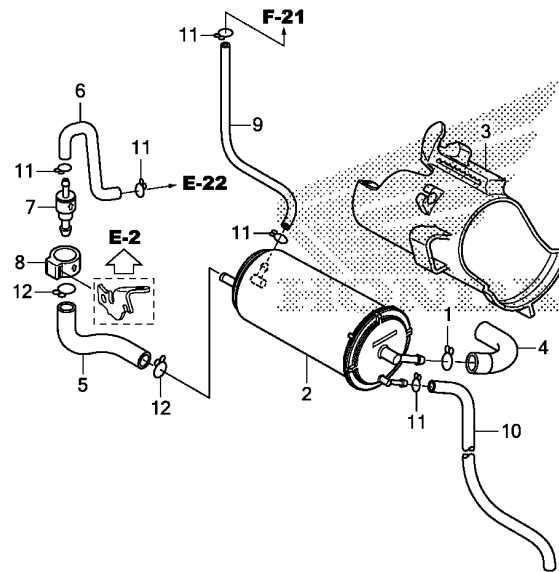
Ref. No.	L.O.N.	(Relative ref. Number) Description	F.R.T.
4	314130	VALVE, SECONDARY AIR CONTROL	0.4
8	3111D1	PIPE, SECONDARY AIR	0.3

Ref. No.	Part No.	Description	Reqd. QTY			Serial No.	Parts catalogue code
			J	K	M		
1	15772-GW3-980	CLIP, BREATHER TUBE	1	1	-		
2	17365-K38-900	PLATE, AIR SUCTION VALVE SETTING	1	1	-		
3	17622-GB7-900	RUBBER, CUSHION	2	2	-		
4	18600-K38-901	VALVE ASSY., AIR SUCTION	1	1	-		
5	18601-K38-900	TUBE, SUCTION	1	1	-		
6	18602-K38-900	TUBE, REED VALVE	1	1	-		
7	18603-K38-900	TUBE, PB	1	1	-		
8	18640-K38-900	PIPE COMP., AIR FEED	1	1	-		
9	90417-KSP-900	WASHER, AIR SUCTION VALVE	2	2	-		
10	90502-KEZ-900	COLLAR, CUSHION RUBBER	2	2	-		
11	90646-657-000	CLIP, AIR HOSE, 16MM	1	1	-		
12	90678-K14-600	CLIP, HOSE	2	2	-		
13	91309-MJ0-003	O-RING, 9.8X2.8(ARAI)	1	1	-		
14	94050-06000	NUT, FLANGE, 6MM	2	2	-		
15	90651-KWP-F00	CLIP, TUBE(B7)	2	2	-		
16	95701-06012-07	BOLT, FLANGE, 6X12	1	1	-		
17	95701-06016-00	BOLT, FLANGE, 6X16	2	2	-		
18	95701-06030-00	BOLT, FLANGE, 6X30	2	2	-		



F-26

CANISTER(CBF160FSJ/K)



K0E8F2600

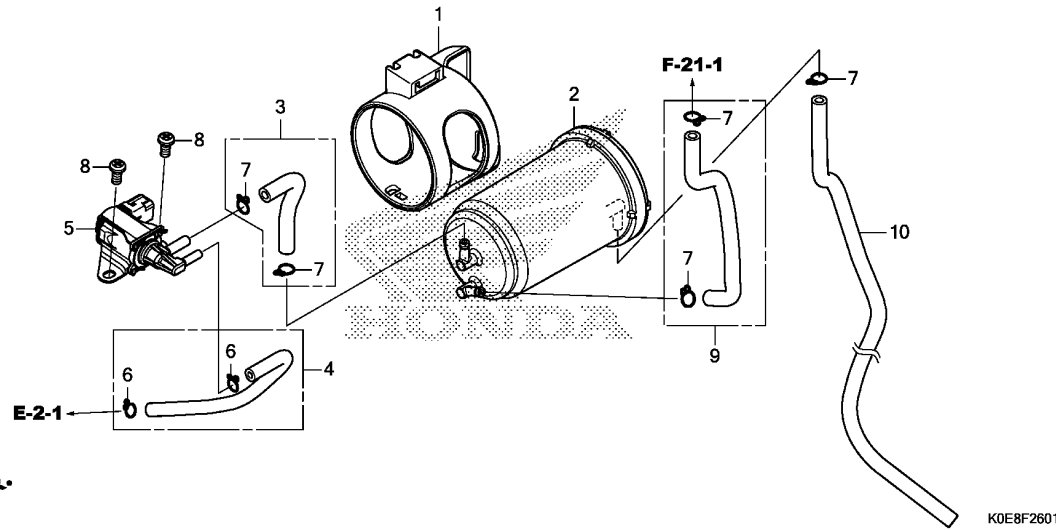
Ref. No.	L.O.N.	(Relative ref. Number) Description	F.R.T.
2	3141A4	CANISTER .....	0.5

3

Ref. No.	Part No.	Description	Reqd. QTY			Serial No.	Parts catalogue code
			CBF160FS	J	K		
1	16163-K43-900	CLIP .....	1	1	-		
2	17310-K38-941	CANISTER COMP. ....	1	1	-		
3	17311-K43-900	RUBBER, CANISTER .....	1	1	-		
4	17412-K0E-D00	TUBE, AIR .....	1	1	-		
5	17413-K43-900	TUBE, CANISTER PURGE .....	1	1	-		
6	17417-K43-900	TUBE, CARBURETOR PURGE .....	1	1	-		
7	17440-K43-901	VALVE, ONE WAY .....	1	1	-		
8	17441-K43-900	RUBBER, ONE WAY VALVE .....	1	1	-		
9	95001-45260-40	TUBE, FUEL, 4.5X260 (95001-45001-60M)	1	1	-		
10	95001-45490-40	TUBE, FUEL, 4.5X490 (95001-45001-60M)	1	1	-		
11	90652-KWP-F00	CLIP, TUBE(B8) .....	5	5	-		
12	95002-02120	CLIP, TUBE(B12) .....	2	2	-		

# F-26-1

# CANISTER(CBF160FSM)



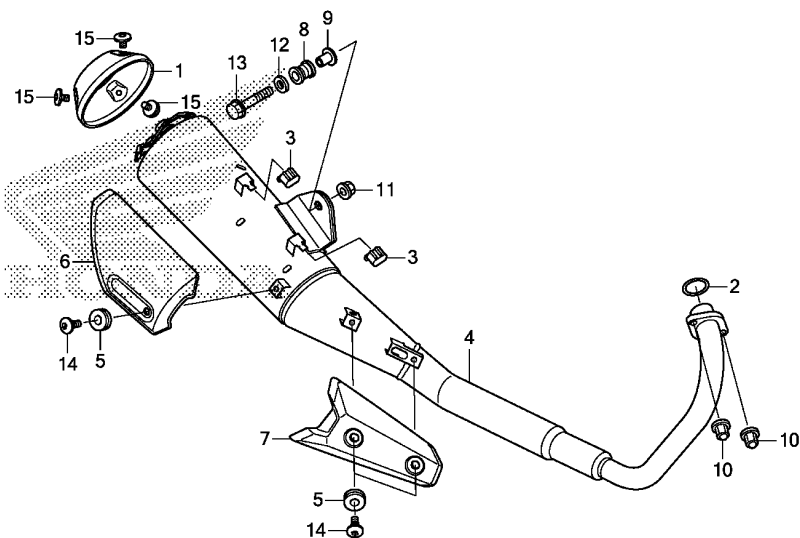
Ref. No.	L.O.N.	(Relative ref. Number) Description	F.R.T.
2	3141D1	CANISTER(A) .....	2.3
5	3141A9	VALVE, PURGE CONTROL .....	0.9

Ref. No.	Part No.	Description	Reqd. QTY			Serial No.	Parts catalogue code
			CBF160FS	J	K		
1	17311-K1K-D00	RUBBER, CANISTER MOUNTING ...	-	-	1		
2	17410-K1K-D01	CANISTER COMP. ....	-	-	1		
3	17413-K1K-D00	TUBE ASSY. A, PURGE .....	-	-	1		
4	17415-K1K-D00	TUBE ASSY. B, PURGE .....	-	-	1		
5	36162-K0L-D01	VALVE, PURGE CONTROL SOLENOID (MITSUBISHI)	-	-	1		
6	90651-KWP-F00	CLIP, TUBE(B7) .....	-	-	2		
7	90652-KWP-F00	CLIP, TUBE(B8) .....	-	-	5		
8	93500-05010-0H	SCREW, PAN, 5X10 .....	-	-	2		
9	17412-K0E-D50	TUBE ASSY., CHARGE .....	-	-	1		
10	95001-45570-40	TUBE, FUEL, 4.5X570 (95001-45001-60M)	-	-	1		



# F-27

# EXHAUST MUFFLER



K0E8F2700

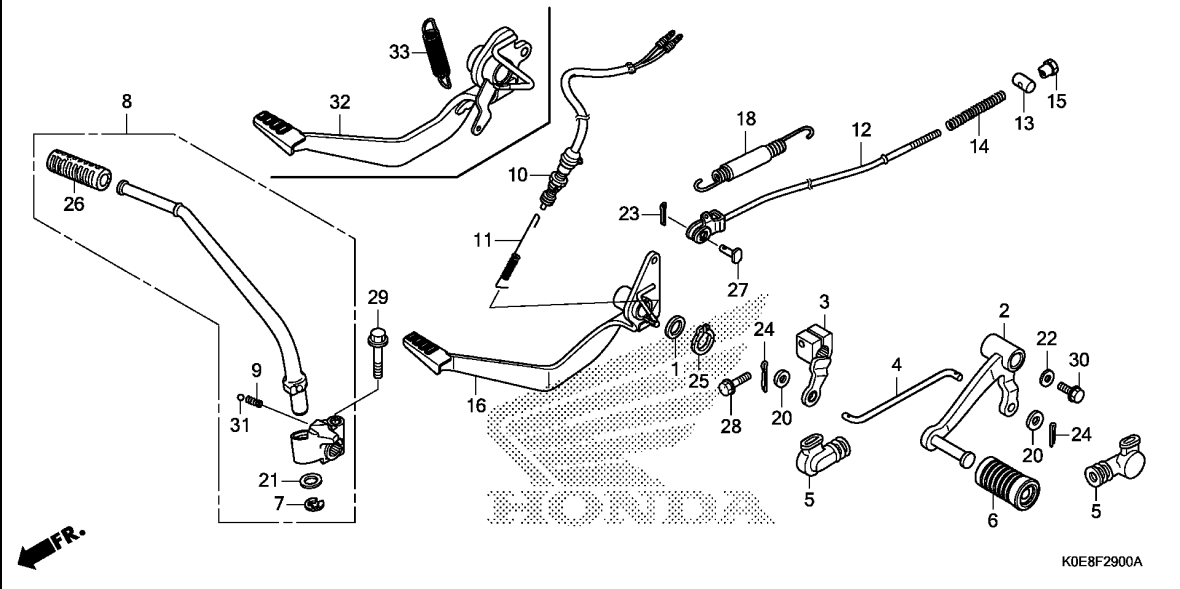
Ref. No.	L.O.N.	(Relative ref. Number) Description	F.R.T.
1	3131F2	CAP, MUFFLER END .....	0.1
2	3131B4	GASKET, EXHAUST PIPE .....	0.2
4	313120	MUFFLER .....	0.2
6	4111X4	COVER, MUFFLER .....	0.1
7	313121	PROTECTOR, MUFFLER .....	0.1

3

Ref. No.	Part No.	Description	Reqd. QTY			Serial No.	Parts catalogue code
			CBF160FS	J	K		
1	18357-KOE-D00	COVER, MUFFLER TAIL .....	1	1	1		
2	18291-KSP-901	GASKET, EX. PIPE .....	1	1	1		
3	18293-MCA-A20	RUBBER, PROTECTOR PACKING ...	2	2	2		
4	18300-KOE-D00	MUFFLER COMP., EX. ....	1	1	-		
	18300-KOE-D50	.....	-	-	1		
5	18345-MBT-610	RUBBER, PROTECTOR MOUNTING ..	3	3	3		
6	18355-KOE-D00	COVER A, MUFFLER .....	1	1	1		
7	18356-KOE-D00	COVER B, MUFFLER .....	1	1	-		
	18356-KOE-D50	.....	-	-	1		
8	18421-438-670	RUBBER, MUFFLER MOUNTING ....	1	1	1		
9	18442-KRC-900	COLLAR, MUFFLER MOUNTING ....	1	1	1		
10	90305-KSP-900	NUT, EXHAUST PIPE, 8MM .....	2	2	2		
11	94050-10000	NUT, FLANGE, 10MM .....	1	1	1		
12	94103-10000	WASHER, PLAIN, 10MM .....	1	1	1		
13	95801-10055-00	BOLT, FLANGE, 10X55 .....	1	1	1		
14	90113-KOE-D00	SCREW, PAN, 6X12 .....	3	3	3		
15	90132-KPP-T00	SCREW, PAN, 6X10 .....	3	3	3		

# F-29

# PEDAL



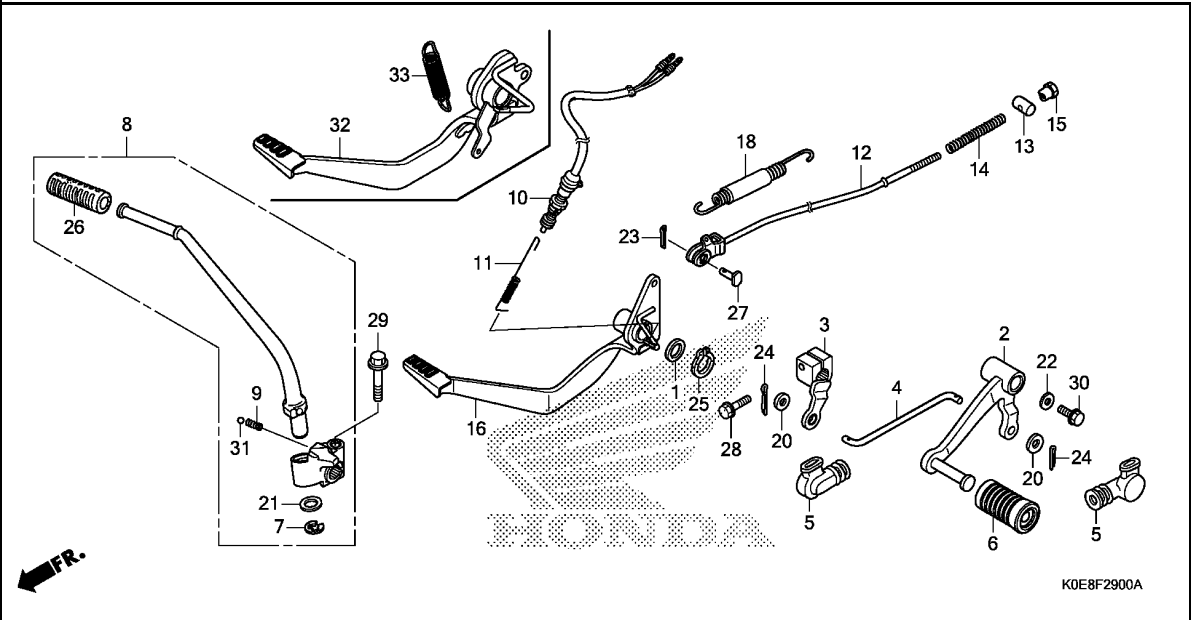
Ref. No.	L.O.N.	(Relative ref. Number) Description	F.R.T.
2	4101A1	PEDAL, GEAR CHANGE .....	0.1
3	4101A2	ARM, GEAR CHANGE .....	0.1
4	5101B5	ROD, CHANGE .....	0.1
8	112107	ARM, KICK STARTER .....	0.1
10	6151B5	SWITCH, REAR STOP :PEDAL SIDE	0.3
12	811135	ROD, REAR BRAKE .....	0.4
16	810160	PEDAL, REAR BRAKE .....	0.5
18	8101A8	SPRING, BRAKE PEDAL .....	0.2

Ref. No.	Part No.	Description	Reqd. QTY			Serial No.	Parts catalogue code
			CBF160FS				
			J	K	M		
1	90557-230-000	WASHER, 15.2X25 .....	1	1	1		
2	24701-KOE-D00	PEDAL, GEAR CHANGE .....	1	1	1		
3	24711-KOE-D00	ARM, GEAR CHANGE .....	1	1	1		
4	24720-KOE-D00	ROD, TIE .....	1	1	1		
5	24721-GS3-000	COVER, CHANGE PEDAL .....	2	2	2		
6	24781-KSP-860	RUBBER, CHANGE PEDAL .....	1	1	1		
7	28293-333-000	CLIP, KICK STARTER ARM .....	1	1	1		
8	28300-KOE-D00	ARM ASSY., KICK STARTER .....	1	1	1		
9	28333-KK0-000	SPRING, KICK STARTER .....	1	1	1		
10	35350-K38-901	SWITCH ASSY., RR. STOP .....	1	1	-		
	35350-KOE-D51	.....	-	-	1		
11	35357-KSP-900	SPRING, STOP SWITCH .....	1	1	1		
12	43451-KOE-D00	ROD COMP., RR. BRAKE .....	1	1	-		
			-	-	1	-----	ID
13	43455-KSP-900	JOINT, BRAKE ARM .....	1	1	-		
			-	-	1	-----	ID
14	43456-KSP-900	SPRING, BRAKE ROD .....	1	1	-		
			-	-	1	-----	ID
15	43459-KSP-900	NUT, BRAKE ROD ADJUSTING .....	1	1	-		
			-	-	1	-----	ID
16	46500-KOE-D00	PEDAL COMP., RR. BRAKE .....	1	1	-		
			-	-	1	-----	ID
18	46510-K21-900	SPRING SET, BRAKE PEDAL .....	1	1	-		
			-	-	1	-----	ID
20	90502-K43-900	WASHER, PLAIN, 7MM .....	2	2	2		



# F-29

# PEDAL



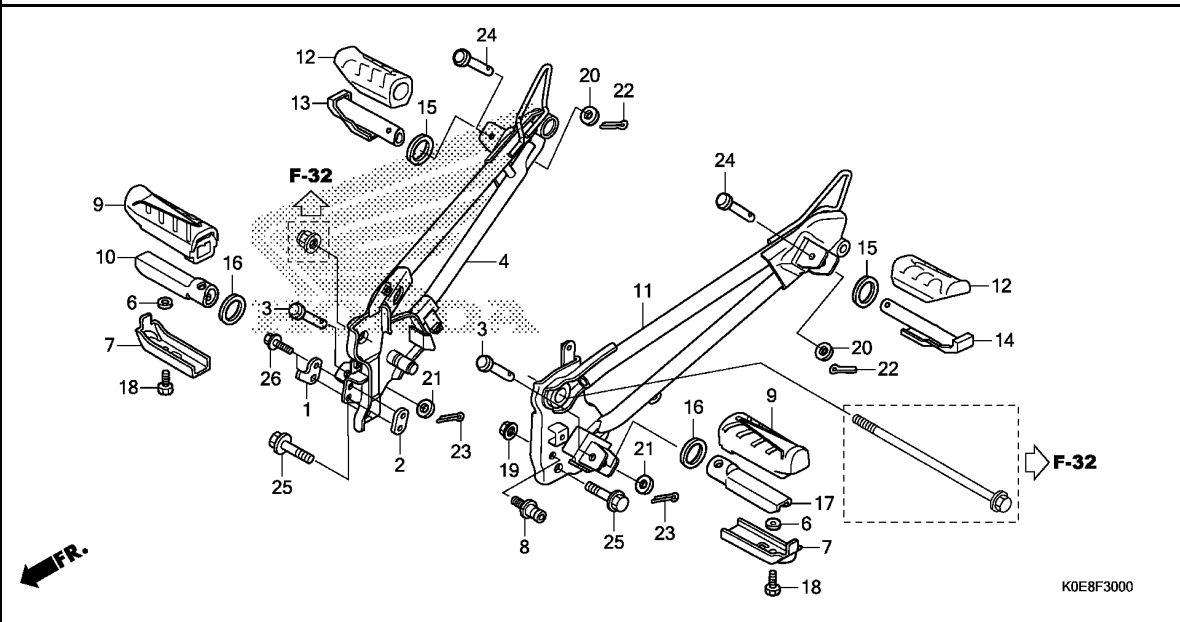
KOE8F2900A

Ref. No.	Part No.	Description	Reqd. QTY			Serial No.	Parts catalogue code
			J	K	M		
21	90505-KRM-860	WASHER, 15.5X22 .....	1	1	1		
22	94103-06700	WASHER, PLAIN, 6MM .....	1	1	1		
23	94201-20120	PIN, SPLIT, 2.0X12 .....	1	1	-		
			-	-	1	-----	ID
24	94201-20150	PIN, SPLIT, 2.0X15 .....	2	2	2		
25	90651-K38-900	CIRCLIP, EXTERNAL, 15MM .....	1	1	1		
26	95011-51000	RUBBER A, KICK STARTER .....	1	1	1		
27	95015-53000	PIN C, JOINT .....	1	1	-		
			-	-	1	-----	ID
28	95701-06020-07	BOLT, FLANGE, 6X20 .....	1	1	1		
29	95701-08040-07	BOLT, FLANGE, 8X40 .....	1	1	1		
30	96001-06012-07	BOLT, FLANGE, 6X12 .....	1	1	1		
31	96211-08000	BALL, STEEL, #8(1/4) .....	1	1	1		
32	46500-KOE-D70	PEDAL COMP., RR. BRAKE .....	-	-	1	-----	3ID
33	46514-KN5-670	SPRING, BRAKE PEDAL .....	-	-	1	-----	3ID

3

# F-30

# STEP



Ref. No.	L.O.N.	(Relative ref. Number) Description	F.R.T.
4	4101N2	HOLDER, STEP :RIGHT .....	0.8
9	4101D3	RUBBER, STEP :LEFT .....	0.1
	4101D4	RUBBER, STEP :RIGHT .....	0.1
	4101L8	RUBBER, STEP :BOTH .....	0.2
10	4101C6	BAR, MAIN STEP :RIGHT .....	0.1
11	4101N1	HOLDER, STEP :LEFT .....	0.5
	4101N6	HOLDER, STEP :BOTH .....	1.3
12	4101DX	RUBBER, PILLION STEP :LEFT ...	0.1
	4101DY	RUBBER, PILLION STEP :RIGHT ..	0.1
	4101DZ	RUBBER, PILLION STEP :BOTH ...	0.2
13	4101C8	BAR, PILLION STEP :RIGHT .....	0.1
14	4101C7	BAR, PILLION STEP :LEFT .....	0.1
	4101P4	BAR, PILLION STEP :BOTH .....	0.2
17	4101C5	BAR, MAIN STEP :LEFT .....	0.1
	4101J1	BAR, MAIN STEP :BOTH .....	0.2

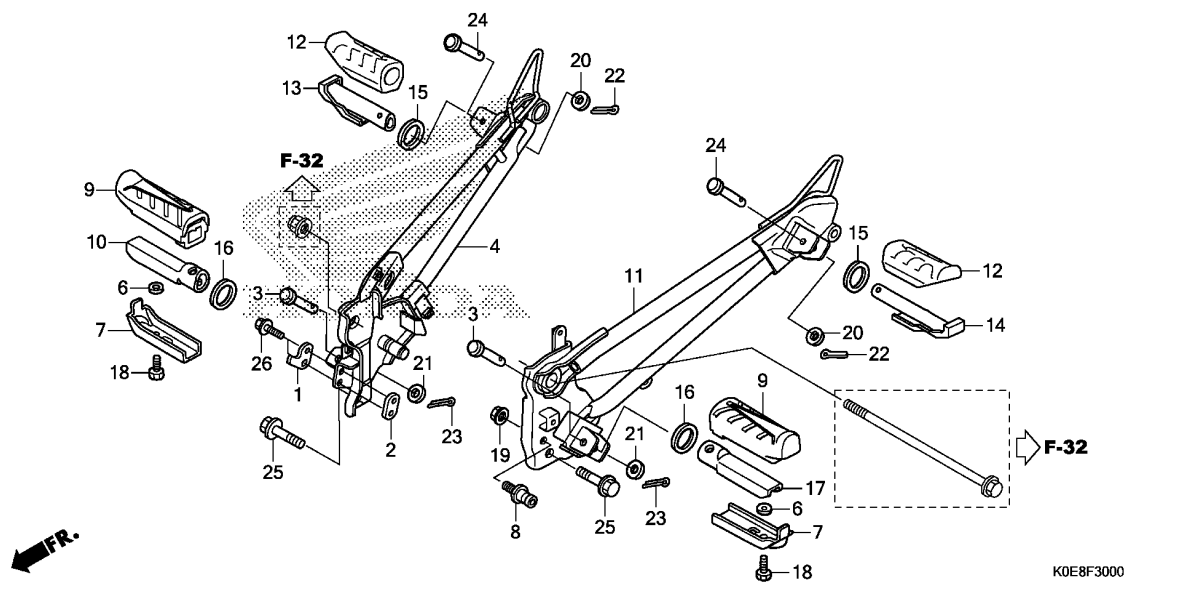
Ref. No.	Part No.	Description	Reqd. QTY			Serial No.	Parts catalogue code
			J	K	M		
1	50220-K43-900	STOPPER, KICK STARTER .....	1	1	1		
2	50221-K43-900	NUT, PLATE .....	1	1	1		
3	50602-KSP-900	PIN, MAIN STEP BAR JOINT .....	2	2	2		
4	50640-KOE-D00	HOLDER, R. STEP .....	1	1	-		
	50640-KOE-D70	.....	-	-	1	-----	3ID
	50640-KOE-D50	.....	-	-	1	-----	ID
6	50618-KE8-000	COLLAR, 6.5X11X3 .....	2	2	2		
7	50619-KOE-D00	PLATE, STEP LOWER .....	2	2	2		
8	50643-KOE-D00	PIVOT, CHANGE PEDAL .....	1	1	1		
9	50661-K43-900	RUBBER, MAIN STEP .....	2	2	2		
10	50701-KSP-900	BAR, R. MAIN STEP .....	1	1	1		
11	50740-KOE-D00	HOLDER, L. STEP .....	1	1	-		
	50740-KOE-D50	.....	-	-	1		
12	50710-KYJ-900	RUBBER, PILLION STEP .....	2	2	2		
13	50711-K43-900	BAR, R. PILLION STEP .....	1	1	-		
	50711-KOE-D50	.....	-	-	1		
14	50712-K43-900	BAR, L. PILLION STEP .....	1	1	-		
	50712-KOE-D50	.....	-	-	1		
15	50715-KE8-000	PLATE, PILLION STEP SIDE ....	2	2	2		
16	50715-KSP-910	PLATE, PILLION STEP SIDE ....	2	2	2		
	(MAIN)						
17	50801-KSP-900	BAR, L. MAIN STEP .....	1	1	1		
18	92101-06012-0G	BOLT, HEX., 6X12 .....	2	2	2		
19	94050-08000	NUT, FLANGE, 8MM .....	1	1	1		
20	94101-06000	WASHER, PLAIN, 6MM .....	2	2	-		
	94102-08000	WASHER, PLAIN, 8MM .....	-	-	2		





# F-30

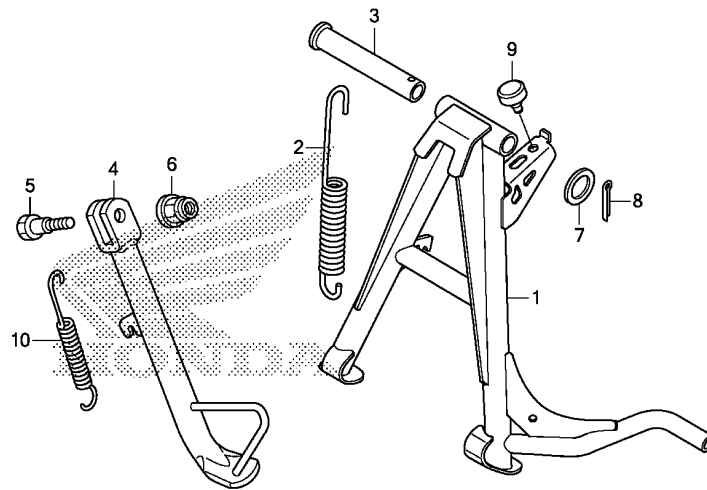
# STEP



Ref. No.	Part No.	Description	Reqd. QTY			Serial No.	Parts catalogue code
			CBF160FS	J	K		
21	94102-08000	WASHER, PLAIN, 8MM .....	2	2	2		
22	94201-16150	PIN, SPLIT, 1.6X15 .....	2	2	-		
	94201-20150	PIN, SPLIT, 2.0X15 .....	-	-	2		
23	94201-20150	PIN, SPLIT, 2.0X15 .....	2	2	2		
24	90131-KWP-F00	PIN, PILLION STEP .....	2	2	-		
	50603-KON-D00	PIN, PILLION STEP BAR JOINT ..	-	-	2		
25	95701-10025-00	BOLT, FLANGE, 10X25 .....	2	2	2		
26	95701-06020-07	BOLT, FLANGE, 6X20 .....	2	2	2		

# F-31

# STAND



FR.

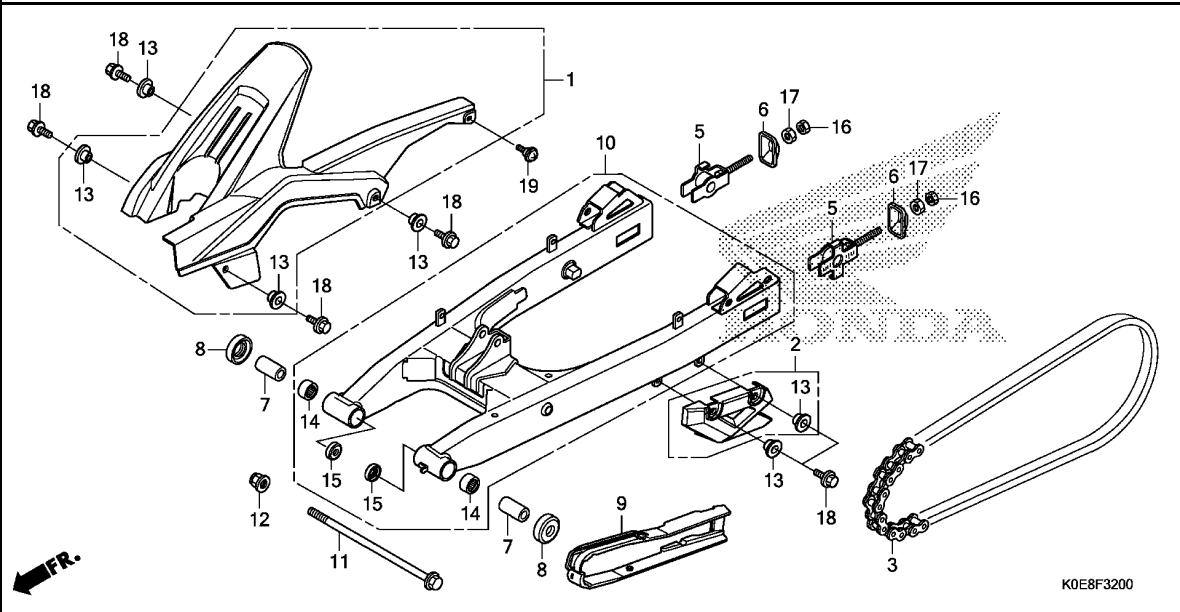
KOE8F3100

Ref. No.	L.O.N.	(Relative ref. Number) Description	F.R.T.
1	410175	(3) STAND, MAIN .....	0.5
2	410176	SPRING, MAIN STAND .....	0.2
4	410180	BAR, SIDE STAND .....	0.2
10	410182	SPRING, SIDE STAND .....	0.1

Ref. No.	Part No.	Description	Reqd. QTY			Serial No.	Parts catalogue code
			J	K	M		
1	50500-KOE-D00	STAND COMP., MAIN .....	1	1	1		
2	50520-KOE-D00	SPRING, MAIN STAND .....	1	1	1		
3	50526-K38-940	SHAFT, MAIN STAND .....	1	1	-		
	50526-K1K-D00	.....	-	-	1		
4	50530-KOE-D00	BAR COMP., SIDE STAND .....	1	1	-		
	50530-KOE-D50	.....	-	-	1		
5	90107-GN1-010	SCREW, SIDE STAND PIVOT .....	1	1	1		
6	90304-KTE-911	NUT, FLANGE SPECIAL, 10MM (SIMMODS MARSHALL)	1	1	1		
7	90521-028-000	WASHER, 17X22 .....	1	1	1		
8	94201-30300	PIN, SPLIT, 3.0X30 .....	1	1	1		
9	95011-62000	RUBBER B, STAND STOPPER .....	1	1	1		
10	95014-72102	SPRING A, SIDE STAND .....	1	1	1		

# F-32

# SWINGARM



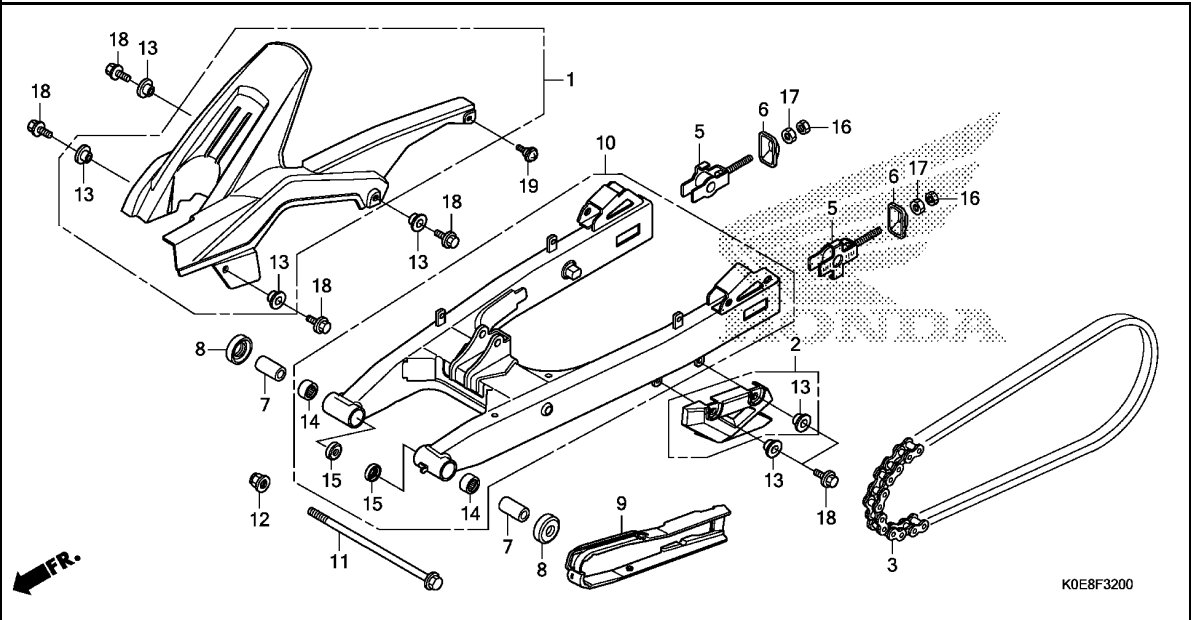
Ref. No.	L.O.N.	(Relative ref. Number) Description	F.R.T.
1	410195	CASE, DRIVE CHAIN .....	0.1
2	4101M0	CASE, DRIVE CHAIN :LOWER .....	0.1
3	2131M1	CHAIN, DRIVE(ENDLESS) .....	0.5
9	4101E5	SLIDER, CHAIN .....	0.5
10	5121B0	SWINGARM ASSEMBLY .....	1.0
14	5121C8	BEARING, SWINGARM PIVOT :LEFT	1.1
	5121C9	BEARING, SWINGARM PIVOT :RIGHT	1.1
	5121D0	BEARING, SWINGARM PIVOT :BOTH	1.2

**3**

Ref. No.	Part No.	Description	Reqd. QTY			Serial No.	Parts catalogue code
			CBF160FS	J	K		
1	40511-KOE-D00	CASE, DRIVE CHAIN .....	1	1	-		
	40511-KOE-D70	.....	-	-	1	-----	3ID
	40511-KOE-D00	.....	-	-	1	-----	ID
2	40521-KOE-D00	COVER, DRIVE CHAIN UNDER .....	1	1	1		
3	40530-KOE-D01	CHAIN, DRIVE(LGB)					
		(R428NOR-130LE)	1	-	-		
	40530-KOE-D21	CHAIN, DRIVE(LGB)					
		(R428OR-130LE)	-	1	1	-----	3BA,3ID,ID
	40530-KOE-D01	CHAIN, DRIVE(LGB)					
		(R428NOR-130LE)	-	1	-	-----	3BA,BA
5	40543-KOE-D00	ADJUSTER COMP., CHAIN .....	2	2	2		
6	40546-K38-940	CAP, RR. FORK END .....	2	2	2		
7	52141-K21-900	COLLAR, SWINGARM PIVOT .....	2	2	2		
8	52144-GC4-003	DUST SEAL, 31X40.5X7.1(ARAI)	2	2	2		
9	52170-KOE-D00	SLIDER, CHAIN .....	1	1	1		
10	52200-KOE-D00	SWINGARM SUB ASSY., RR. ....	1	1	-		
	52200-KOE-D70	.....	-	-	1	-----	3ID
	52200-KOE-D00	.....	-	-	1	-----	ID
11	90121-KSP-900	BOLT, SWINGARM PIVOT .....	1	1	1		
12	90305-KVN-901	NUT, FLANGE, 14MM					
		(SIMMONDS MARSHALL)	1	1	1		
13	90522-KSP-860	COLLAR, CHAIN CASE SETTING ..	6	6	6		
14	91071-KSP-901	BEARING, NEEDLE, 20X26X20 ..	2	2	2		
15	91254-KS6-003	DUST SEAL, 20X26X4.5(ARAI) ..	2	2	2		
16	94001-06000-0S	NUT, HEX., 6MM .....	2	2	2		
17	90302-KBP-900	NUT, SPECIAL, 6MM .....	2	2	2		

# F-32

# SWINGARM



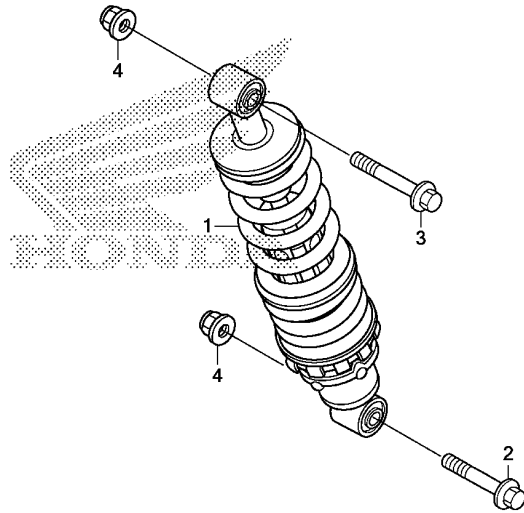
Ref. No.	Part No.	Description	Reqd. QTY			Serial No.	Parts catalogue code
			CBF160FS	J	K		

18	95701-06012-07	BOLT, FLANGE, 6X12 .....	6	6	6		
19	90101-GEO-000	SCREW, HINGE PATCH .....	1	1	1		



# F-33

# REAR CUSHION



K0E8F3300

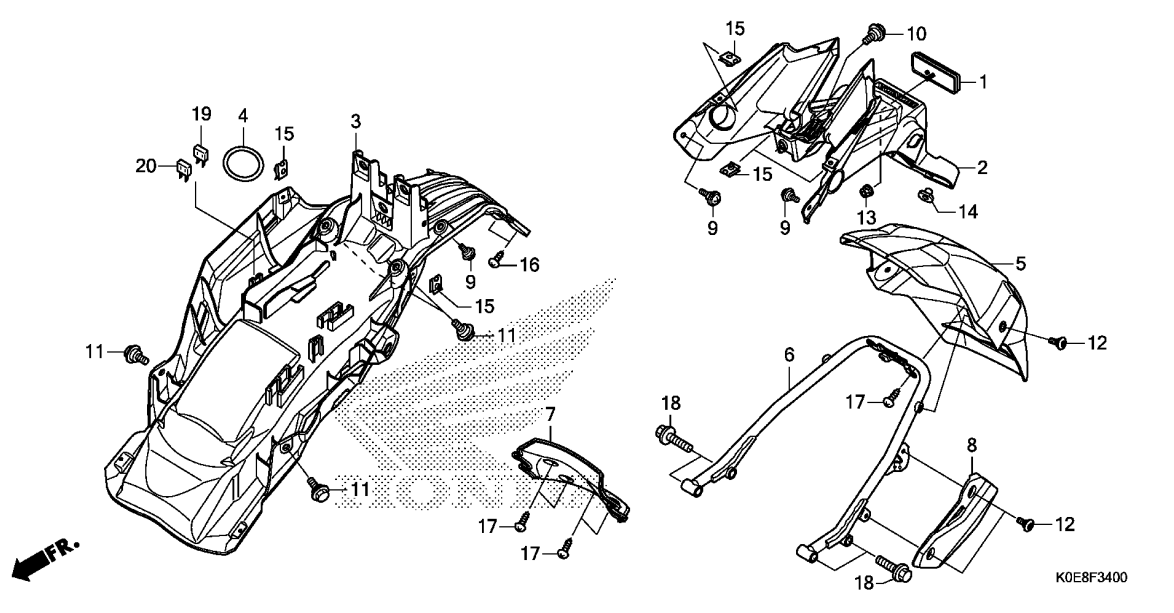
Ref. No.	L.O.N.	(Relative ref. Number) Description	F.R.T.
1	512115	CUSHION ASSY., REAR	1.0
	5121K7	CUSHION ASSY., REAR(A) .NOTE: PGM-FI type	1.6

3

Ref. No.	Part No.	Description	Reqd. QTY			Serial No.	Parts catalogue code
			CBF160FS	J	K		
1	52400-K43-901	CUSHION ASSY., RR.(SHOWA)	1	1	1		
2	90151-KSP-900	BOLT, FLANGE, 10X48	1	1	1		
3	90153-KYJ-900	BOLT, FLANGE, 10X53	1	1	1		
4	90304-KTE-911	NUT, FLANGE SPECIAL, 10MM (SIMMODS MARSHALL)	2	2	2		

# F-34

# REAR FENDER



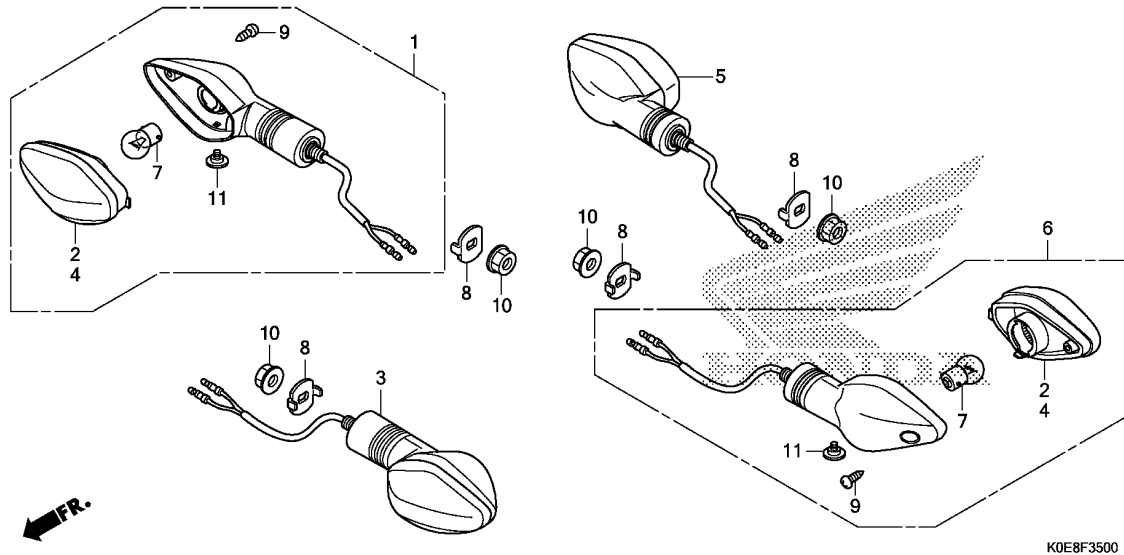
Ref. No.	L.O.N.	(Relative ref. Number) Description	F.R.T.
2	413105	FENDER A, REAR .....	0.6
3	413110	FENDER B, REAR .....	0.6
5	4131N4	FENDER, INNER :REAR .....	0.2
6	4131M7	STAY, REAR FENDER .....	0.2
8	4101FH	COVER, SARI GUARD :SIDE .....	0.1

Ref. No.	Part No.	Description	Reqd. QTY			Serial No.	Parts catalogue code
			CBF160FS	J	K		
1	33741-KPL-902	REFLECTOR, REFLEX .....	1	1	1		
2	80110-KOE-D00ZA	FENDER SET A, RR.(WL) *TYPE1*	1	1	1		
3	80121-KOE-D00	FENDER B, RR. ....	1	1	-		
	80121-KOE-D50	.....	-	-	1		
4	80124-K26-900	BAND, TOOL .....	1	1	1		
5	80211-KOE-D00	FENDER, INNER .....	1	1	1		
6	80212-KOE-D00	STAY, FENDER(INNER) .....	1	1	-		
	80212-KOE-D70	.....	-	-	1	-----	3ID
	80212-KOE-D00	.....	-	-	1	-----	ID
7	80216-KOE-D00	COVER, FENDER(INNER) .....	1	1	1		
8	80311-KOE-D00	COVER, SARI GUARD SIDE .....	1	1	1		
9	90101-GEO-000	SCREW, HINGE PATCH .....	4	4	4		
10	90111-147-000	BOLT, FLANGE, 6MM .....	1	1	1		
11	90111-162-000	BOLT, FLANGE, 6MM .....	4	4	4		
12	90134-KPP-T00	SCREW, PAN, 5X14 .....	4	4	4		
13	90301-KWN-901	NUT, U, 5MM .....	1	1	1		
14	90311-KTE-910	NUT, RR. FENDER .....	2	2	2		
15	90320-KTE-600	NUT, SPRING, 5MM .....	6	6	6		
16	93903-25280	SCREW, TAPPING, 5X12 .....	2	2	2		
17	93903-25380	SCREW, TAPPING, 5X16 .....	5	5	5		
18	95701-08025-07	BOLT, FLANGE, 8X25 .....	4	4	4		
19	98200-40500	FUSE, MINI(5A) .....	1	-	-		
	98200-41000	FUSE, MINI(10A) .....	-	1	-	-----	3BA,3ID,ID
	98200-40500	FUSE, MINI(5A) .....	-	1	-	-----	BA
20	98200-41500	FUSE, MINI(15A) .....	1	1	-		



# F-35

# WINKER



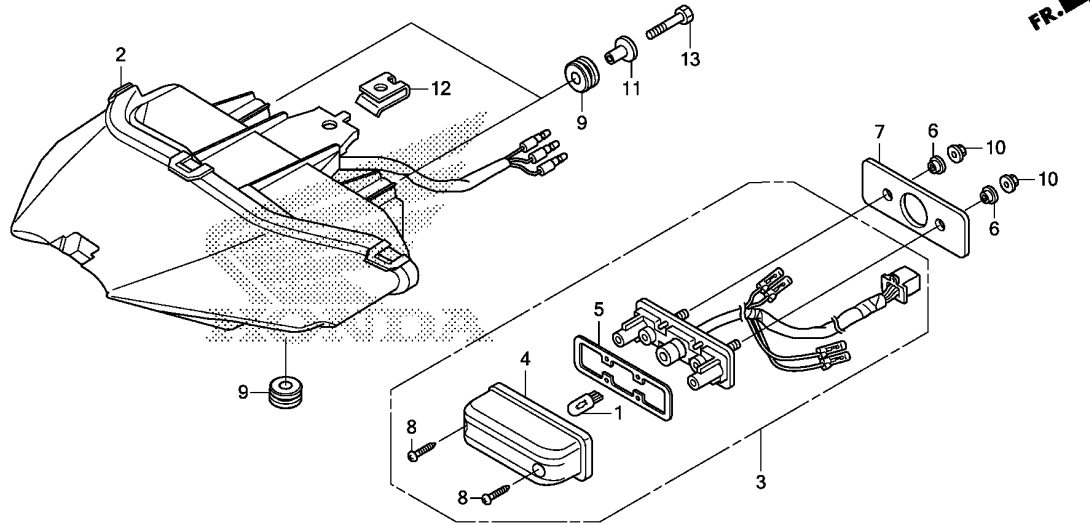
Ref. No.	L.O.N.	(Relative ref. Number) Description	F.R.T.
1	6161C4	WINKER :RIGHT FRONT .....	0.2
3	6161C3	WINKER :LEFT FRONT .....	0.2
	6161C5	WINKER :BOTH FRONT .....	0.3
5	6161C7	WINKER :RIGHT REAR .....	0.5
6	6161C6	WINKER :LEFT REAR .....	0.5
	6161C8	WINKER :BOTH REAR .....	0.6
7		(2,4)	
	616133	BULB, WINKER :FRONT .....	0.1
		.NOTE: Same time for two units	
	616139	BULB, WINKER :REAR .....	0.1
		.NOTE: Same time for two units	
	6161G0	BULB, WINKER :FOR 1 VEHICLE ..	0.2

3

Ref. No.	Part No.	Description	Reqd. QTY			Serial No.	Parts catalogue code
			CBF160FS	J	K		
1	33400-KOE-D01	WINKER ASSY., R. FR.(12V 10W)	1	1	1		
2	33403-KWS-901	LENS COMP., R. .... (R. FR./L. RR.)	2	2	2		
3	33450-KOE-D01	WINKER ASSY., L.(12V 10W) ...	1	1	1		
4	33453-KWS-901	LENS COMP., L. .... (L. FR./R. RR.)	2	2	2		
5	33600-KOE-D01	WINKER ASSY., R. RR.(12V 10W)	1	1	1		
6	33650-KOE-D01	WINKER ASSY., L. RR.(12V 10W)	1	1	1		
7	34930-KWA-930	BULB, WINKER(12V 10W)(AMBER)	4	4	4		
8	61315-GGJ-700	STAY, WINKER .....	4	4	4		
9	93901-34380	SCREW, TAPPING, 4X12 .....	4	4	4		
10	94050-10000	NUT, FLANGE, 10MM .....	4	4	4		
11	90380-MB2-000	SCREW, SPECIAL, 6X8 .....	4	4	4		

# F-36

# TAILLIGHT



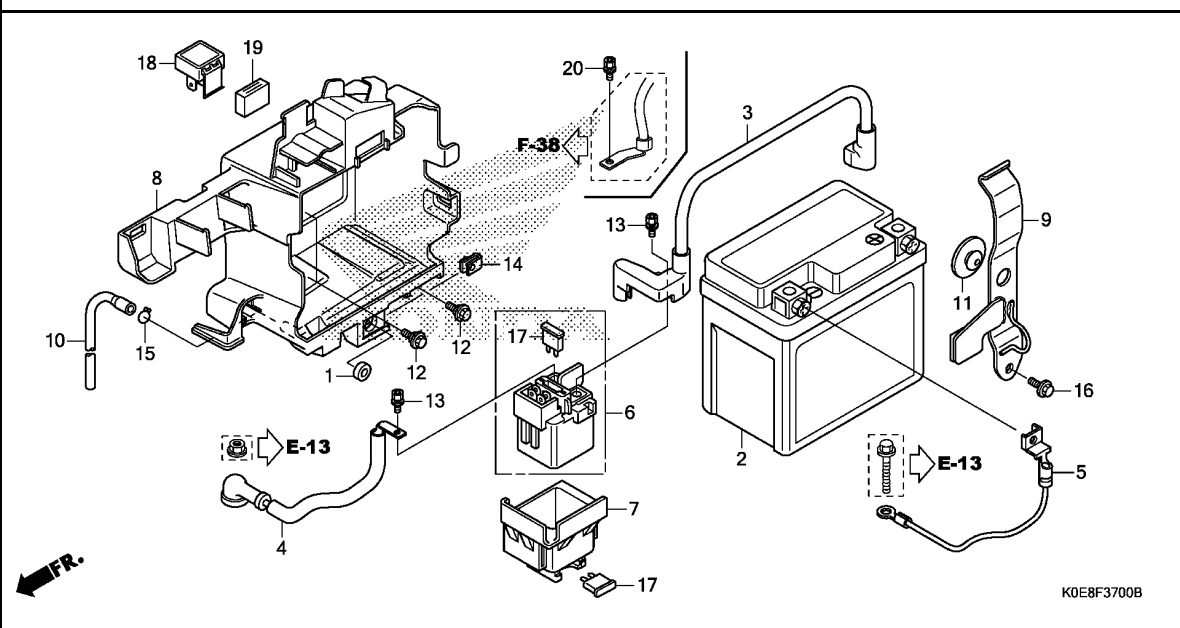
Ref. No.	L.O.N.	(Relative ref. Number) Description	F.R.T.
1		(4,5)	
6161F3		BULB, LICENSE LIGHT .....	0.1
2		6161D5 TAILLIGHT UNIT .....	0.5
3		(7)	
6161D8		LIGHT, LICENSE .....	0.6

Ref. No.	Part No.	Description	Reqd. QTY			Serial No.	Parts catalogue code
			CBF160FS	J	K		
1	33301-KYJ-901	BULB, WEDGE BASE(T10 12V 5W)	1	1	1		
2	33701-KOE-D01	TAILLIGHT UNIT .....	1	1	1		
3	33720-KOE-D01	LIGHT ASSY., LICENSE(12V 5W)	1	1	1		
4	33723-KOE-D01	COVER COMP. ....	1	1	1		
5	33729-KSP-B01	PACKING, LENS .....	1	1	1		
6	80202-KVE-900	COLLAR, LICENSE LIGHT .....	2	2	2		
7	80203-KVE-900	RUBBER, LICENSE LIGHT .....	1	1	1		
8	93901-24480	SCREW, TAPPING, 4X16 .....	2	2	2		
9	61103-357-000	RUBBER, FR. FENDER MOUNTING ..	3	3	3		
10	94050-05000	NUT, FLANGE, 5MM .....	2	2	2		
11	61104-KM7-910	COLLAR, FAIRING SETTING .....	2	2	2		
12	90320-KTE-600	NUT, SPRING, 5MM .....	1	1	1		
13	92101-05025-0H	BOLT, HEX., 5X25 .....	2	2	2		



# F-37

# BATTERY(CBF160FSJ/K)



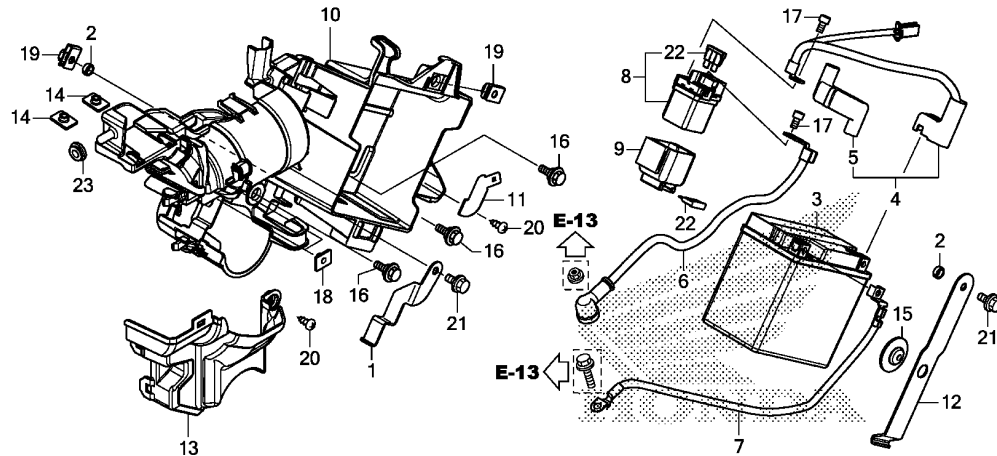
Ref. No.	L.O.N.	(Relative ref. Number) Description	F.R.T.
2	610100	BATTERY .....	0.2
3	610105	CABLE, POSITIVE BATTERY .....	0.2
4	612115	CABLE, STARTER MOTOR .....	0.2
5	610110	CABLE, NEGATIVE BATTERY .....	0.1
6	615113	SWITCH, STARTER MAGNETIC .....	0.2
8	4101B0	HOLDER, BATTERY BOX .....	0.2
18	6111C3	RELAY, WINKER .....	0.3

**3**

Ref. No.	Part No.	Description	Reqd. QTY			Serial No.	Parts catalogue code
			CBF160FS	J	K		
1	17223-KVX-600	COLLAR, AIR CLEANER .....	1	1	-		
2	31500-KRP-801	BATTERY(ETZ5-BS)(EXIDE) .....	(1)	(1)	-		
	31500-KRP-N41	BATTERY(ETZ5)(EXIDE) .....	1	1	-		
3	32401-K43-900	CABLE, STARTER MAGNETIC .....	1	-	-		
		BATTERY	-	1	-	-----	BA
4	32410-K43-900	CABLE, STARTER MOTOR .....	1	1	-		
5	32601-K38-900	CABLE, BATTERY EARTH .....	1	1	-		
6	35850-K38-901	SWITCH ASSY., STARTER MAGNETIC .....	1	1	-		
7	35856-K43-900	RUBBER, SHOCK .....	1	1	-		
8	50384-K43-D00	BOX, BATTERY .....	1	1	-		
9	50386-KDE-D00	BAND COMP., BATTERY .....	1	1	-		
10	50388-K38-900	TUBE, BATTERY BOX .....	1	1	-		
11	83618-323-000	RUBBER, BATTERY BOX .....	1	1	-		
12	90111-162-000	BOLT, FLANGE, 6MM .....	3	3	-		
13	90111-MR5-000	BOLT, SOCKET, 5X9 .....	2	1	-	-----	3BA,3ID,ID,SL
			-	2	-	-----	BA
14	90311-MT3-000	NUT, CLIP, 6MM .....	1	1	-		
15	90651-MK3-780	CLIP, TUBE(B12.5) .....	1	1	-		
16	95701-06016-00	BOLT, FLANGE, 6X16 .....	1	1	-		
17	98200-32000	FUSE, BLADE(20A) .....	2	2	-		
18	38301-K43-D01	RELAY COMP., WINKER .....	1	1	-		
19	38306-K38-901	SUSPENSION, WINKER RELAY .....	1	1	-		
		(STAR ENGINEERS)	1	1	-		
20	90111-MR5-000	BOLT, SOCKET, 5X9 .....	-	1	-	-----	3BA,3ID,ID

# F-37-1

# BATTERY(CBF160FSM)

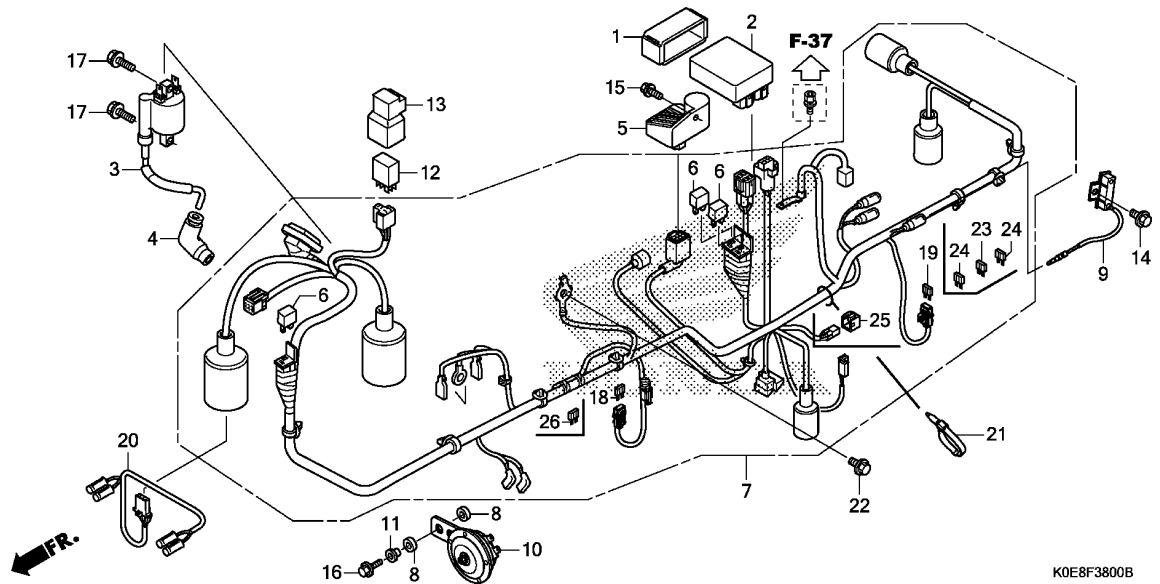


Ref. No.	L.O.N.	(Relative ref. Number) Description	F.R.T.
3	610100	BATTERY .....	0.2
4	6101A6	CABLE, POSITIVE BATTERY (A) ...	0.8
6	6121E0	CABLE, STARTER MOTOR(A) .....	0.8
7	6101A2	CABLE, NEGATIVE BATTERY (A) ...	0.2
8	6151J8	SWITCH, STARTER MAGNETIC(A) ..	0.9
10	410185	BOX, BATTERY .....	2.3

Ref. No.	Part No.	Description	Reqd. QTY			Serial No.	Parts catalogue code
			CBF160FS	J	K		
1	16716-K1K-D00	STAY, FUEL PUMP .....	-	-	1		
2	17223-KVX-600	COLLAR, AIR CLEANER .....	-	-	2		
3	31500-KRP-801	BATTERY(ETZ5-BS)(EXIDE) .....	-	-	(1)		
4	31500-KRP-N41	BATTERY(ETZ5)(EXIDE) .....	-	-	1		
4	32401-K1K-D00	CABLE, STARTER MAGNETIC					
5	32406-MT3-610	COVER A, STARTER MAGNETIC			1		
		BATTERY TERMINAL			1		
6	32410-K1K-D00	CABLE, STARTER MOTOR .....	-	-	1		
7	32601-K1K-D00	CABLE, BATTERY EARTH .....	-	-	1		
8	35850-K0E-D51	SWITCH ASSY., STARTER MAGNETIC	-	-	1		
9	35856-K1K-D00	RUBBER, SHOCK .....	-	-	1		
10	50384-K1K-D00	BOX, BATTERY .....	-	-	1		
11	50385-K1K-D00	STAY, FUSE BOX .....	-	-	1		
12	50386-K0E-D50	BAND, BATTERY .....	-	-	1		
13	50387-K1K-D00	COVER, BATTERY BOX .....	-	-	1		
14	61304-MGS-D70	NUT, SPECIAL, 5MM .....	-	-	2		
15	83618-323-000	RUBBER, BATTERY BOX .....	-	-	1		
16	90111-162-000	BOLT, FLANGE, 6MM .....	-	-	3		
17	90111-MR5-000	BOLT, SOCKET, 5X9 .....	-	-	2		
18	90311-K0N-D00	NUT, 6MM .....	-	-	2		
19	90653-K0L-D00	NUT, CLIP, 6MM .....	-	-	2		
20	93903-25220	SCREW, TAPPING, 5X12 .....	-	-	2		
21	95701-06016-00	BOLT, FLANGE, 6X16 .....	-	-	2		
22	98200-31500	FUSE, BLADE(15A) .....	-	-	2		
23	83551-376-000	GROMMET, SIDE COVER .....	-	-	1		

# F-38

# WIRE HARNESS(CBF160FSJ/K)



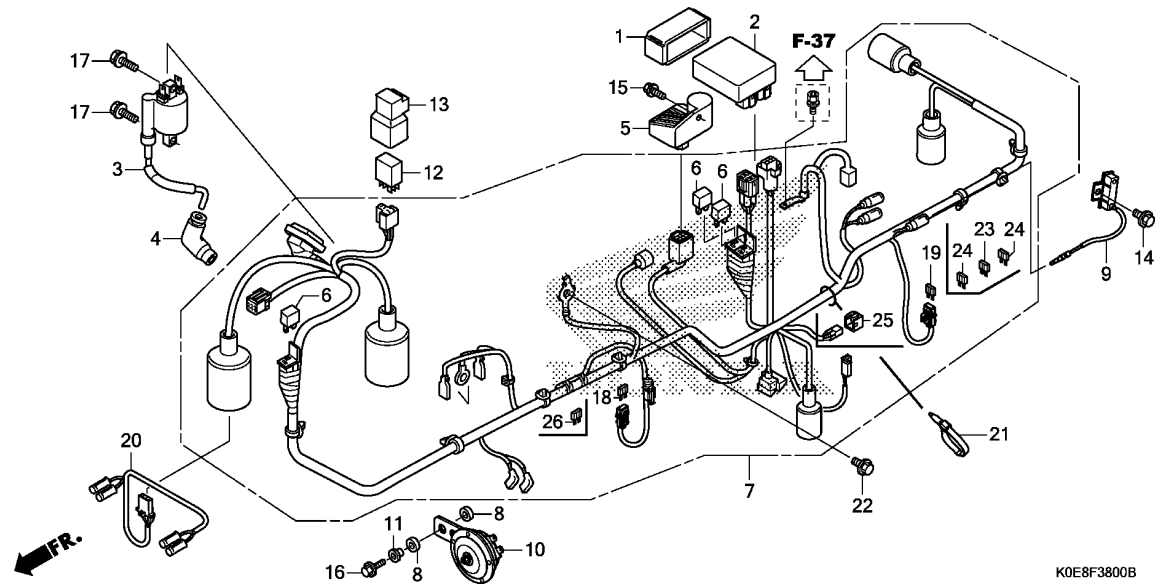
Ref. No.	L.O.N.	(Relative ref. Number) Description	F.R.T.
2	6141A1	IGNITION CONTROL MODULE .....	0.8
3	614105	COIL, IGNITION .....	0.5
4	6141E3	CAP, NOISE SUPPRESSOR .....	0.2
5	6131B2	RECTIFIER, REGULATE .....	0.4
6	6131B3	RECTIFIER, SILICON .....	0.3
	6131D9	RECTIFIER, SILICON(A) .....	0.7
		.NOTE: Rear side	
	6131D9A	.Replace 1 silicon rectifier add .....	0.1
7	611100	HARNESS, WIRE .....	1.4
9	613140	RESISTOR(FRAME OR ENGINE) .....	0.3
10	616169	HORN .....	0.3
12	6111M4	RELAY, PASSING .....	0.3
20	6111D7	SUB HARNESS, FRONT .....	0.2

3

Ref. No.	Part No.	Description	Reqd. QTY			Serial No.	Parts catalogue code
			CBF160FS	J	K		
1	30401-KWP-D21	CUSHION, C.D.I. UNIT (SHINDENGEN)	1	1	-		
2	30410-KOE-D01	C.D.I. UNIT(DC) .....	1	1	-		
3	30500-KOE-D01	COIL ASSY., IGNITION .....	1	1	-	----- BA, ID, SL	
	30500-KOE-D41	.....	-	1	-	----- 3BA, 3ID	
4	30700-KZA-W01	CAP ASSY., NOISE SUPPRESSOR .....	1	1	-		
5	31600-K86-D01	RECTIFIER COMP., REGULATE (SHINDENGEN)	1	1	-		
6	31700-124-008	RECTIFIER ASSY., SILICON (SHINDENGEN)	3	3	-		
7	32100-KOE-D00	HARNESS WIRE .....	1	-	-		
	32100-KOE-D40	HARNESS, WIRE .....	-	1	-	----- 3BA, 3ID	
	32100-KOE-D00	HARNESS WIRE .....	-	1	-	----- BA	
	32100-KOE-D20	HARNESS, WIRE .....	-	1	-	----- ID	
8	33714-K38-900	RUBBER, TAILLIGHT BRACKET .....	2	2	-		
9	35400-K43-901	RESISTOR COMP. ....	1	1	-		
10	38110-KOE-D01	HORN ASSY.(HIGH) .....	1	1	-		
11	38117-KFE-701	COLLAR, HORN SETTING .....	1	1	-		
12	38502-KSP-910	RELAY COMP., POWER (MICRO ISO 5P)	1	1	-		
13	38506-KSP-910	SUSPENSION, POWER RELAY .....	1	1	-		
14	95701-06010-00	BOLT, FLANGE, 6X10 .....	1	1	-		
15	95701-06016-00	BOLT, FLANGE, 6X16 .....	1	1	-		
16	95701-06020-08	BOLT, FLANGE, 6X20 .....	1	1	-		
17	96001-06020-00	BOLT, FLANGE, 6X20 .....	2	2	-		
18	98200-40500	FUSE, MINI (5A) .....	1	-	-		

# F-38

# WIRE HARNESS(CBF160FSJ/K)

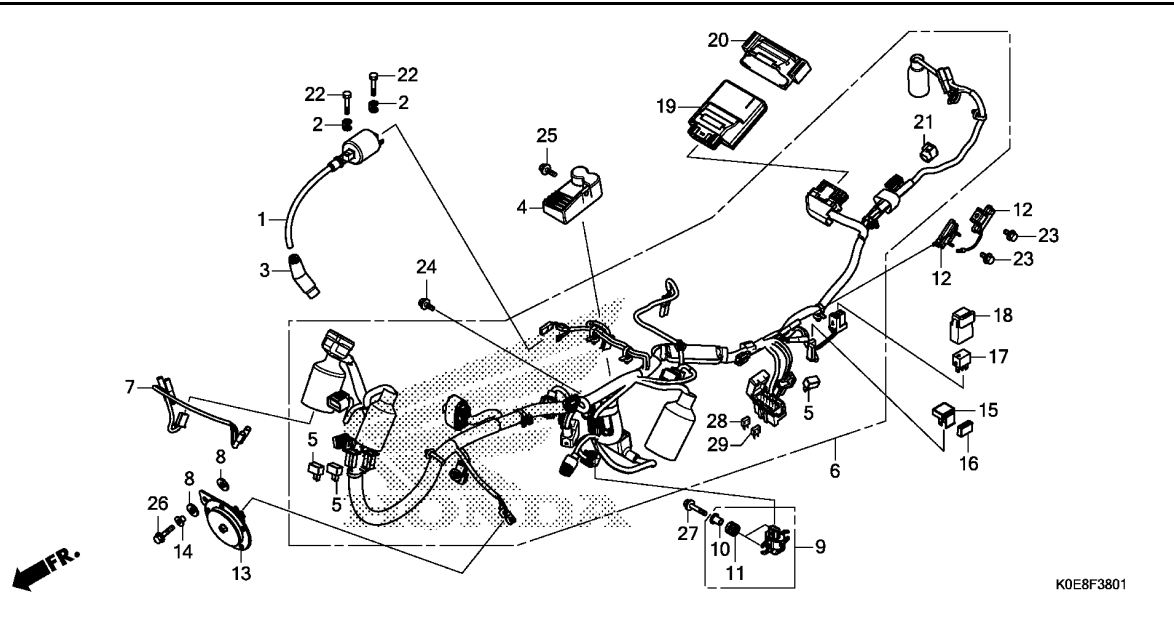


Ref. No.	Part No.	Description	Reqd. QTY			Serial No.	Parts catalogue code
			CBF160FS	J	K		
18)	98200-41000	FUSE, MINI(10A) .....	-	1	-	-----	3BA,3ID,ID
	98200-40500	FUSE, MINI(5A) .....	-	1	-	-----	BA
19	98200-41500	FUSE, MINI(15A) .....	1	-	-	-----	BA
20	32101-KOE-D00	SUB HARNESS, FR. ....	1	1	-	-----	
21	90652-KPL-901	CABLE, TIE .....	1	1	-	-----	
22	95701-06010-00	BOLT, FLANGE, 6X10 .....	-	1	-	-----	3BA,3ID,ID
23	98200-41000	FUSE, MINI(10A) .....	-	1	-	-----	3BA,3ID,ID
24	98200-41500	FUSE, MINI(15A) .....	-	2	-	-----	3BA,3ID,ID
25	32606-GEV-761	CAP, DUMMY(4P)(RED) .....	-	1	-	-----	3BA,3ID
26	98200-41000	FUSE, MINI(10A) .....	-	1	-	-----	3BA,3ID



# F-38-1

# WIRE HARNESS(CBF160FSM)



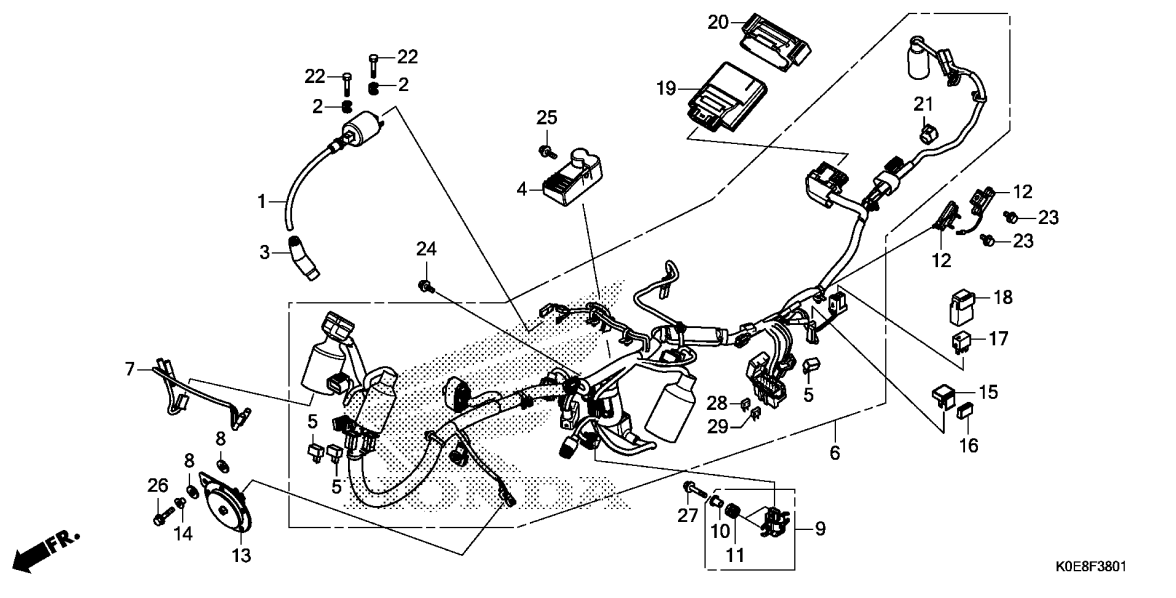
Ref. No.	L.O.N.	(Relative ref. Number) Description	F.R.T.
1	6141D1	COIL, IGNITION(A) .....	0.9
3	6141E3	CAP, NOISE SUPPRESSOR .....	0.2
4	6131B2	RECTIFIER, REGULATE .....	0.4
5	6131B3	RECTIFIER, SILICON .....	0.3
	6131B3A	.Replace 1 silicon rectifier add .....	0.1
	6131E0	DIODE .....	0.2
		.NOTE: Rear side	
6	6111L3	HARNESS, WIRE(A) .....	2.0
7	6111D7	SUB HARNESS, FRONT .....	0.2
9	617125	SENSOR, BANK ANGLE .....	0.9
12	613140	RESISTOR(FRAME OR ENGINE) ....	0.3
	613140A	.Replace 1 resistor add .....	0.1
13	616169	HORN .....	0.3
15	6111C3	RELAY, WINKER .....	0.3
17	611155	RELAY, MAIN .....	0.3
19	618135	ENGINE CONTROL MODULE(ECM) ...	0.3

**3**

Ref. No.	Part No.	Description	Reqd. QTY			Serial No.	Parts catalogue code
			CBF160FS	J	K		
1	30500-KOV-A01	COIL ASSY., IGNITION(WINGS) ..	-	-	1		
2	30520-GFM-900	SPACER, IGNITION COIL .....	-	-	2		
3	30700-KZA-W01	CAP ASSY., NOISE SUPPRESSOR ..	-	-	1		
4	31600-KOE-D51	RECTIFIER COMP., REGULATE (SHINDENGEN)	-	-	1		
5	31700-124-008	RECTIFIER ASSY., SILICON (SHINDENGEN)	-	-	3		
6	32100-KOE-D50	HARNESS, WIRE .....	-	-	1		
7	32101-KOE-D00	SUB HARNESS, FR. ....	-	-	1		
8	33714-K38-900	RUBBER, TAILLIGHT BRACKET ...	-	-	2		
9	35160-KRE-G01	SENSOR ASSY., BANK ANGLE ....	-	-	1		
10	35162-KRE-G00	COLLAR .....	-	-	2		
11	35163-KRE-G00	GROMMET .....	-	-	2		
12	35400-K43-901	RESISTOR COMP. ....	-	-	2		
13	38110-KOE-D01	HORN ASSY.(HIGH) .....	-	-	1		
14	38117-KFE-701	COLLAR, HORN SETTING .....	-	-	1		
15	38301-K43-D01	RELAY COMP., WINKER .....	-	-	1		
16	38306-K38-901	SUSPENSION, WINKER RELAY (STAR ENGINEERS)	-	-	1		
17	38501-KVZ-631	RELAY ASSY., POWER (MICRO ISO 4P)(MITSUBA)	-	-	1		
18	38506-KSP-910	SUSPENSION, POWER RELAY .....	-	-	1		
19	38770-KOE-D51	PGM-FI UNIT .....	-	-	1		
20	38771-K1K-D00	CUSHION, PGM-FI UNIT .....	-	-	1		
21	91771-MKK-H11	CAP, DUMMY(6P)(RED) .....	-	-	1		

# F-38-1

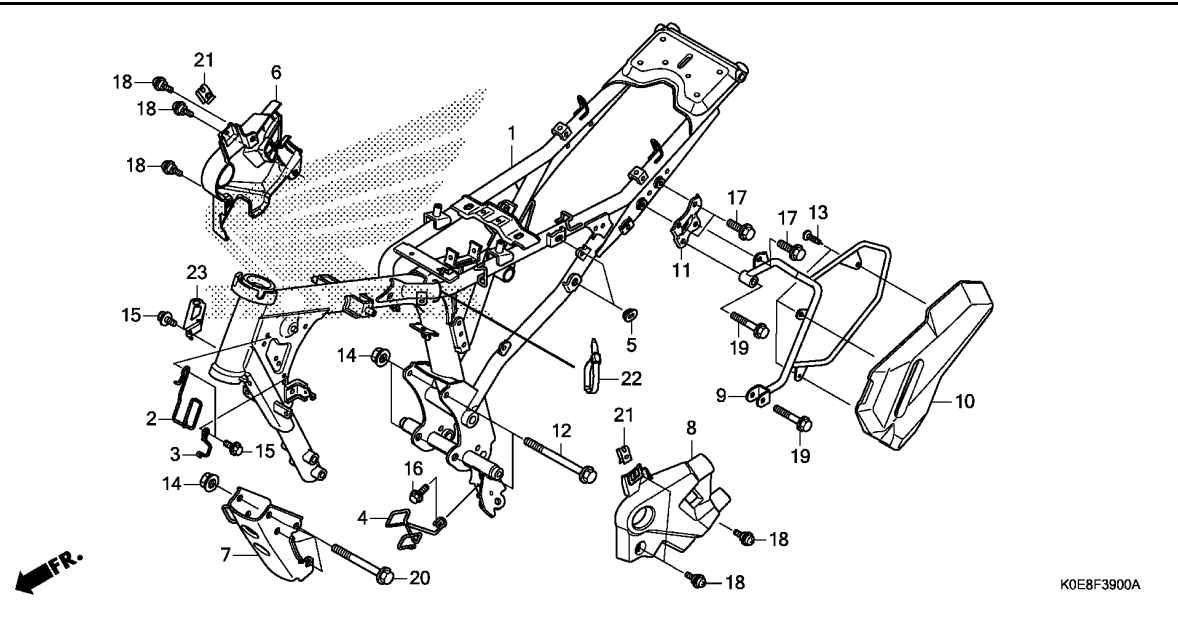
# WIRE HARNESS(CBF160FSM)



Ref. No.	Part No.	Description	Reqd. QTY			Serial No.	Parts catalogue code
			CBF160FS				
			J	K	M		
22	92101-06020-4J	BOLT, HEX., 6X20 .....	-	-	2		
23	95701-06010-00	BOLT, FLANGE, 6X10 .....	-	-	2		
24	95701-06012-00	BOLT, FLANGE, 6X12 .....	-	-	1		
25	95701-06016-00	BOLT, FLANGE, 6X16 .....	-	-	1		
26	95701-06020-08	BOLT, FLANGE, 6X20 .....	-	-	1		
27	95701-06022-00	BOLT, FLANGE, 6X22 .....	-	-	2		
28	98200-40750	FUSE, MINI (7.5A) .....	-	-	5		
29	98200-41000	FUSE, MINI (10A) .....	-	-	3		

# F-39

# FRAME BODY



K0E8F3900A

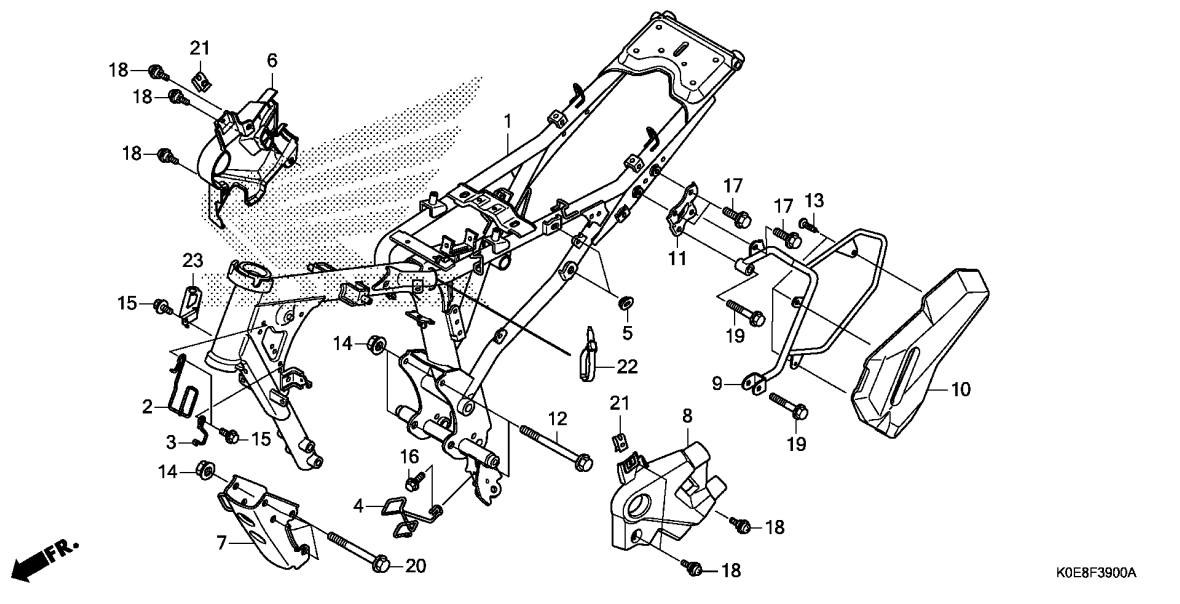
Ref. No.	L.O.N.	(Relative ref. Number) Description	F.R.T.
1	410100	BODY, FRAME ..... .INCLUDES: Engine removal and installation	6.4
6	4101L2	COVER, MAIN STEP :RIGHT .....	0.1
7	4101N0	PLATE, FRONT ENGINE HANGER ...	0.3
8	4101L1	COVER, MAIN STEP :LEFT .....	0.1
	4101Q9	COVER, MAIN STEP :BOTH .....	0.2
9	4101EE	GUARD, SARI .....	0.1
10	4101EF	COVER, SARI GUARD .....	0.1

3

Ref. No.	Part No.	Description	Reqd. QTY			Serial No.	Parts catalogue code
			CBF160FS	J	K		
1	50100-K0E-D00	BODY COMP., FRAME .....	1	-	-		
	50100-K0E-D40	.....	-	1	-	-----	3BA,3ID
	50100-K0E-D00	.....	-	1	-	-----	BA
	50100-K0E-D20	.....	-	1	-	-----	ID
	50100-K0E-D50	.....	-	-	1		
2	50211-K0E-D00	GUIDE, HARNESS .....	1	1	1		
3	50212-K0E-D00	GUIDE, CLUTCH CABLE(A) .....	1	1	-		
4	50297-K0E-D00	GUIDE, DRAIN TUBE .....	1	1	-		
	50297-K0E-D50	.....	-	-	1		
5	83551-300-000	GROMMET, AIR CLEANER CASE ...	4	4	4		
6	83560-K0E-D00	COVER, R. STEP .....	1	1	-		
	83560-K0E-D70	.....	-	-	1	-----	3ID
	83560-K0E-D00	.....	-	-	1	-----	ID
7	50351-K0E-D00	PLATE COMP., FR. ENGINE HANGER	1	1	-		
	50351-K0E-D50	.....	-	-	1		
8	83565-K0E-D00	COVER, L. STEP .....	1	1	1		
9	51103-K0E-D00	GUARD, SARI .....	1	1	1		
10	51104-K0E-D00	COVER, SARI GUARD .....	1	1	1		
11	51105-K43-900	PLATE, SARI GUARD .....	1	1	1		
12	90019-399-010	BOLT, FLANGE, 10X110 .....	2	2	2		
13	93903-25280	SCREW, TAPPING, 5X12 .....	3	3	3		
14	94050-10000	NUT, FLANGE, 10MM .....	6	6	6		
15	95701-06012-07	BOLT, FLANGE, 6X12 .....	2	2	2		
16	95701-06016-07	BOLT, FLANGE, 6X16 .....	1	1	1		
17	95701-08014-07	BOLT, FLANGE, 8X14 .....	3	3	3		
18	90101-GEO-000	SCREW, HINGE PATCH .....	6	6	6		

# F-39

# FRAME BODY



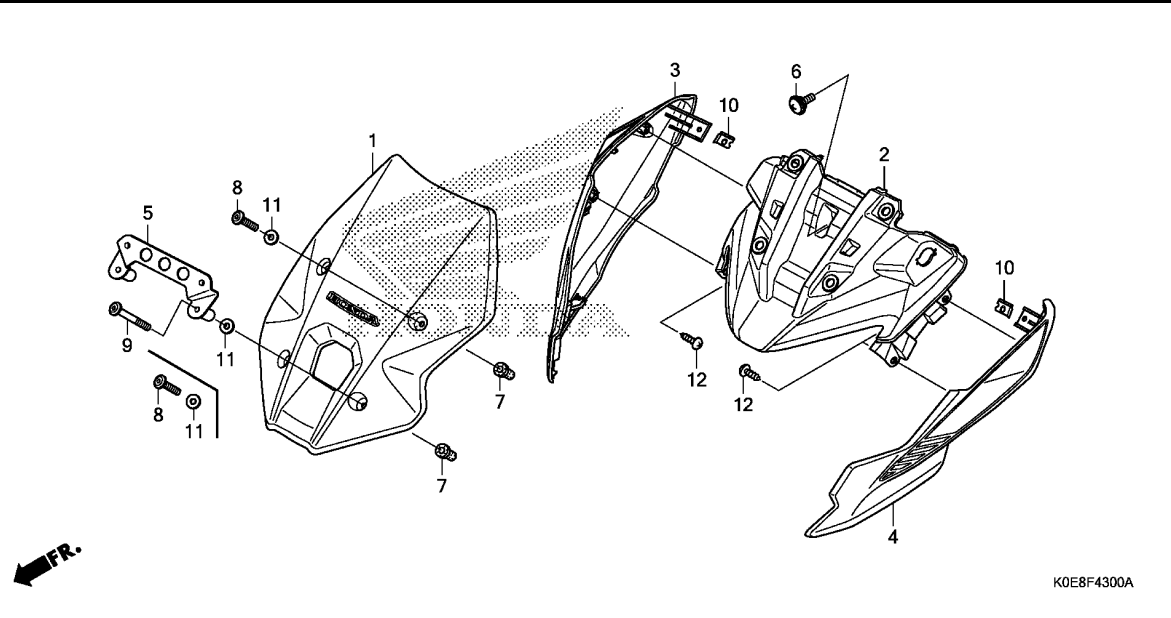
Ref. No.	Part No.	Description	Reqd. QTY			Serial No.	Parts catalogue code
			CBF160FS	J	K		
19	95701-08040-07	BOLT, FLANGE, 8X40 .....	2	2	2		
20	95801-10090-00	BOLT, FLANGE, 10X90 .....	4	4	4		
21	90320-KTE-600	NUT, SPRING, 5MM .....	2	2	2		
22	90652-KPL-901	CABLE, TIE .....	1	1	-		
23	50388-K1K-D00	STAY, ABS MODULATOR .....	-	-	1		





# F-43

# UPPER COVER



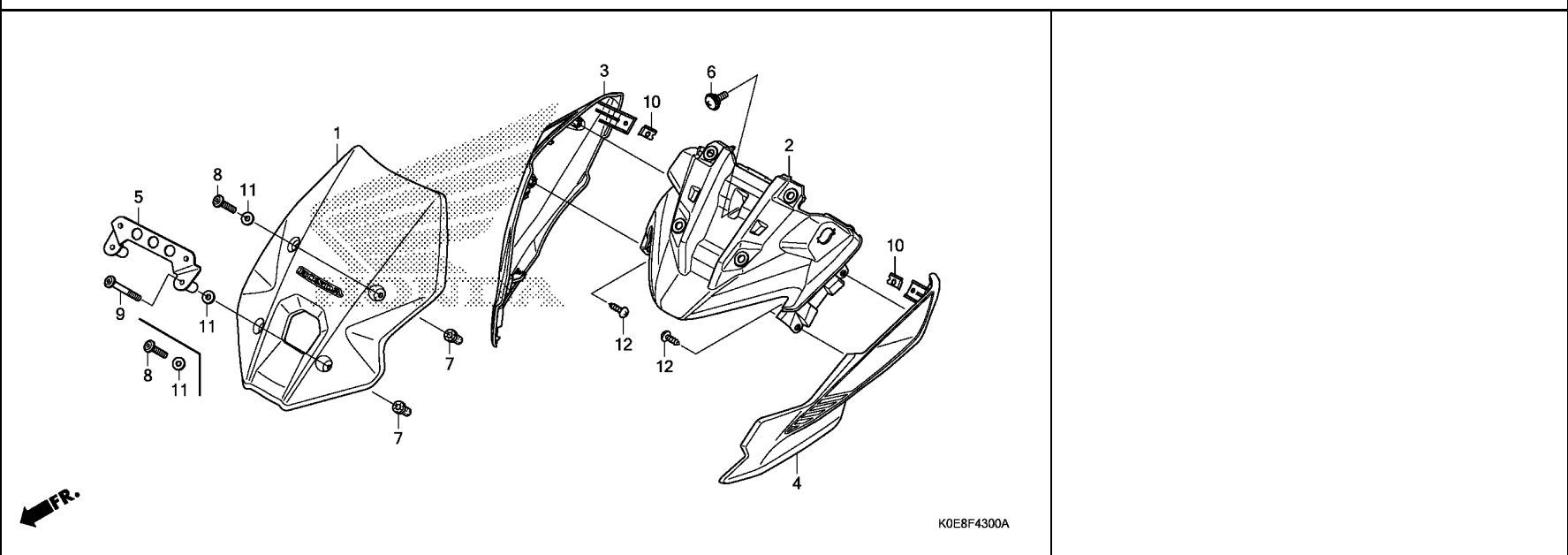
Ref. No.	L.O.N.	(Relative ref. Number) Description	F.R.T.
1	4111BZ	VISOR :FRONT .....	0.1
2	4111E3	COVER, FRONT .....	0.4
3	4111AR	GARNISH, FRONT COVER :RIGHT ..	0.3
4	4111AQ	GARNISH, FRONT COVER :LEFT ...	0.3
	4111AS	GARNISH, FRONT COVER :BOTH ...	0.3

**3**

Ref. No.	Part No.	Description	Reqd. QTY			Serial No.	Parts catalogue code
			J	K	M		
1	61300-KOE-D00ZA	VISOR SET, FR.(WL)					
		*TYPE1*	1	1	1		
2	61304-KOE-D00	COVER, UPPER	1	1	1		
3	61306-KOE-D00ZA	GARNISH SET, R. FR.(WL)					
		*TYPE5*	1	1	-		
	61306-KOE-D00ZB	*TYPE4*	1	1	-		
	61306-KOE-D00ZC	*TYPE3*	1	1	-		
	61306-KOE-D00ZD	*TYPE2*	1	1	-		
	61306-KOE-D00ZE	*TYPE1*	1	1	-		
	61305-KOE-D00ZA	GARNISH, R. FR.(WOL)					
		*B227M*					
		MAT MARVEL BLUE METALLIC	-	-	1		
	61305-KOE-D00ZC	*NH805P*...PEARL IGNEOUS BLACK	-	-	1		
	61305-KOE-D00ZF	*YR371M*					
		MAT MARMALADE ORANGE METALLIC	-	-	1		
	61305-KOE-D00ZG	*R392P*...PEARL SPARTAN RED 2	-	-	1		
	61305-KOE-D00ZH	*NH303M*					
		MAT AXIS GRAY METALLIC	-	-	1		
	61305-KOE-D00ZJ	*GY156M*					
		MAT MARSHAL GREEN METALLIC 2	-	-	1		
4	61316-KOE-D00ZA	GARNISH SET, L. FR.(WL)					
		*TYPE5*	1	1	-		
	61316-KOE-D00ZB	*TYPE4*	1	1	-		
	61316-KOE-D00ZC	*TYPE3*	1	1	-		
	61316-KOE-D00ZD	*TYPE2*	1	1	-		
	61316-KOE-D00ZE	*TYPE1*	1	1	-		
	61315-KOE-D00ZA	GARNISH, L. FR.(WOL)					
		*B227M*					
		MAT MARVEL BLUE METALLIC	-	-	1		

# F-43

# UPPER COVER

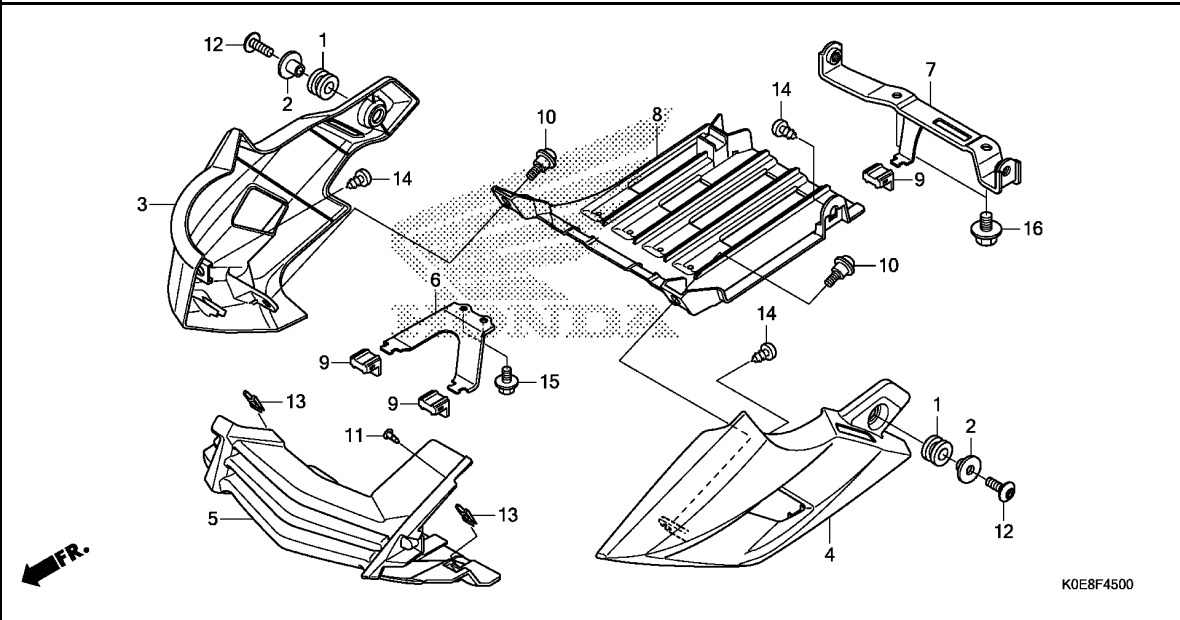


Ref. No.	Part No.	Description	Reqd. QTY			Serial No.	Parts catalogue code
			CBF160FS	J	K		
(4)	61315-KOE-D00ZC	GARNISH, L. FR.(WOL) *NH805P*...PEARL IGNEOUS BLACK	-	-	1		
	61315-KOE-D00ZF	*YR371M* MAT MARMALADE ORANGE METALLIC	-	-	1		
	61315-KOE-D00ZG	*R392P*...PEARL SPARTAN RED 2	-	-	1		
	61315-KOE-D00ZH	*NH303M* MAT AXIS GRAY METALLIC	-	-	1		
	61315-KOE-D00ZJ	*GY156M* MAT MARSHAL GREEN METALLIC 2	-	-	1		
5	64315-KOE-D00	STAY, FR. NUMBER PLATE .....	1	1	1	-----	3ID,ID,SL
6	90101-GEO-000	SCREW, HINGE PATCH .....	1	1	1		
7	90111-MM9-000	NUT, COWL SETTING, 5MM .....	4	4	4		
8	90134-KOE-D00	SCREW, PAN, 5X18 .....	2	2	2	-----	3ID,ID,SL
			-	4	-	-----	3BA,BA
9	90135-KOE-D00	SCREW, PAN, 5X45 .....	2	2	2	-----	3ID,ID,SL
10	90320-KTE-600	NUT, SPRING, 5MM .....	2	2	2		
11	90504-964-000	WASHER, THRUST, 5MM .....	4	4	4		
12	93903-25220	SCREW, TAPPING, 5X12 .....	4	4	4		

**3**

# F-45

# UNDER COWL(CBF160FSK)



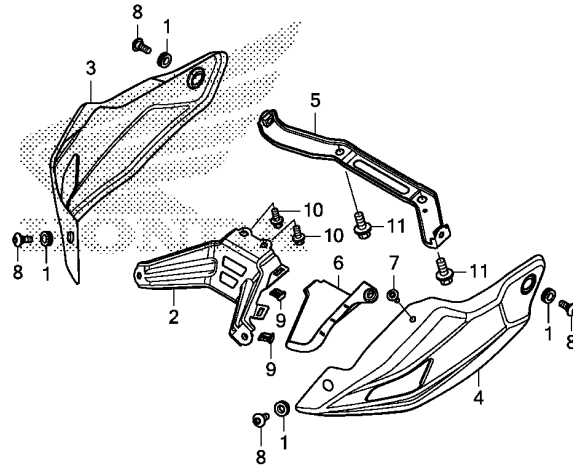
Ref. No.	L.O.N.	(Relative ref. Number) Description	F.R.T.
3	4111D7	COWL, LOWER :RIGHT	0.1
4	4111D6	COWL, LOWER :LEFT	0.1
	4111H1	COWL, LOWER :BOTH	0.2
5	4111I0	COWL, LOWER :FRONT	0.2
8	4111X2	COWL, LOWER	0.2

**3**

Ref. No.	Part No.	Description	Reqd. QTY			Serial No.	Parts catalogue code
			CBF160FS	J	K		
1	61105-KRY-900	RUBBER, FR. FENDER MOUNTING	-	2	-		
2	61304-KTC-A20	COLLAR, FR. COWL	-	2	-		
3	64310-KOE-D20ZA	COWL, R. UNDER *NH303M*	-	-	-		
4	64320-KOE-D20ZA	COWL, L. UNDER *NH303M*	-	1	-		
5	64330-KOE-D20	COWL, CENTER UNDER	-	1	-		
6	64340-KOE-D20	STAY, UNDER COWL(FR.)	-	1	-		
7	64350-KOE-D20	STAY, UNDER COWL(RR.)	-	1	-		
8	64360-KOE-D20	COWL, CENTER UNDER(RR.)	-	1	-		
9	83502-KCC-900	GROMMET, SIDE COVER	-	3	-		
10	90102-GB2-720	SCREW, PAN, 5X16	-	2	-		
11	90116-SPO-003	CLIP, BUMPER SEAL	-	1	-		
12	90130-KYJ-900	SCREW, PAN, 6X22	-	2	-		
13	90320-KTE-600	NUT, SPRING, 5MM	-	2	-		
14	93903-25280	SCREW, TAPPING, 5X12	-	3	-		
15	95701-06012-00	BOLT, FLANGE, 6X12	-	2	-		
16	95701-08016-00	BOLT, FLANGE, 8X16	-	2	-		

# F-45-1

# UNDER COWL(CBF160FSM)



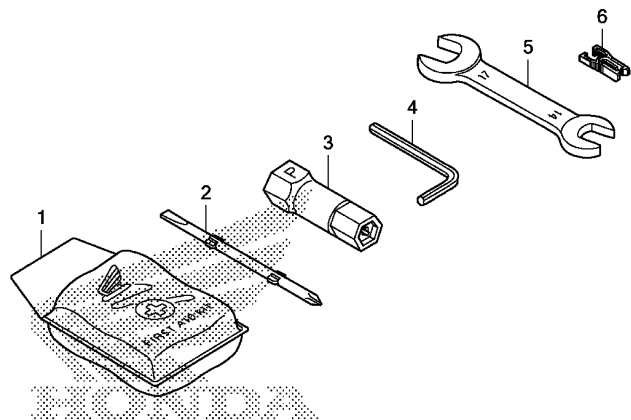
K0E8F4501

Ref. No.	L.O.N.	(Relative ref. Number) Description	F.R.T.
3	4111FJ	COWL, LOWER(A) :RIGHT .....	0.1
4	4111FH	COWL, LOWER(A) :LEFT .....	0.1
	4111FK	COWL, LOWER(A) :BOTH .....	0.1
6	4111FG	COWL, LOWER(A) .....	0.1

Ref. No.	Part No.	Description	Reqd. QTY			Serial No.	Parts catalogue code
			CBF160FS	J	K		
1	18345-MBT-610	RUBBER, PROTECTOR MOUNTING ..	-	-	4		
2	64314-KOE-D50	STAY, UNDER COWL(FR.) .....	-	-	1		
3	64311-KOE-D50ZA	COWL, R. UNDER *NH303M*	-	-	1		
4	64312-KOE-D50ZA	COWL, L. UNDER *NH303M*	-	-	1		
5	64316-KOE-D50	STAY, UNDER COWL(RR.) .....	-	-	1		
6	64317-KOE-D50	COVER, UNDER COWL .....	-	-	1		
7	90116-SPO-003	CLIP, BUMPER SEAL .....	-	-	1		
8	90134-KOE-D50	SCREW, PAN, 6X16 .....	-	-	4		
9	90651-K14-A31	CLIP, SLIDE .....	-	-	2		
10	95701-06012-00	BOLT, FLANGE, 6X12 .....	-	-	2		
11	95701-08016-00	BOLT, FLANGE, 8X16 .....	-	-	2		

F-48

TOOLS



KOE8F4800A

Ref. L.O.N. (Relative ref. Number) F.R.T.  
No. Description

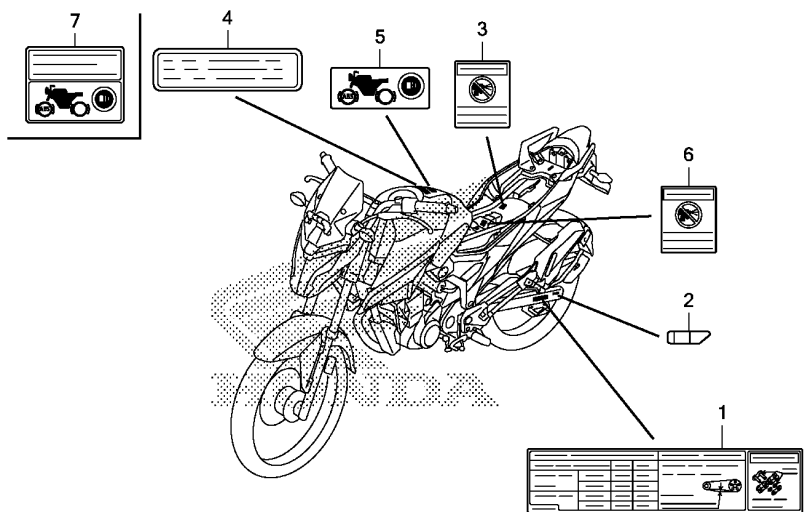
NO INFORMATION .....

3

Ref. No.	Part No.	Description	Reqd. QTY			Serial No.	Parts catalogue code
			CBF160FS	J	K		
1	84510-KWP-900	AID KIT, FIRST .....	1	1	1	----- 3ID, ID, SL	
2	89102-KTE-910	DRIVER, SCREW(NO.2 + -) .....	1	1	1		
3	89216-KTE-910	WRENCH, SPARK PLUG .....	1	1	1		
4	89221-429-000	WRENCH, HEX., 5MM .....	1	1	1		
5	89233-KSP-900	SPANNER, 14X17 .....	1	1	1		
6	38235-S04-003	PULLER, MINI FUSE(SUMITOMO) -	-	-	1		

**F-49**

**CAUTION LABEL**



K0E8F4900C

Ref. L.O.N. (Relative ref. Number) F.R.T.  
No. Description

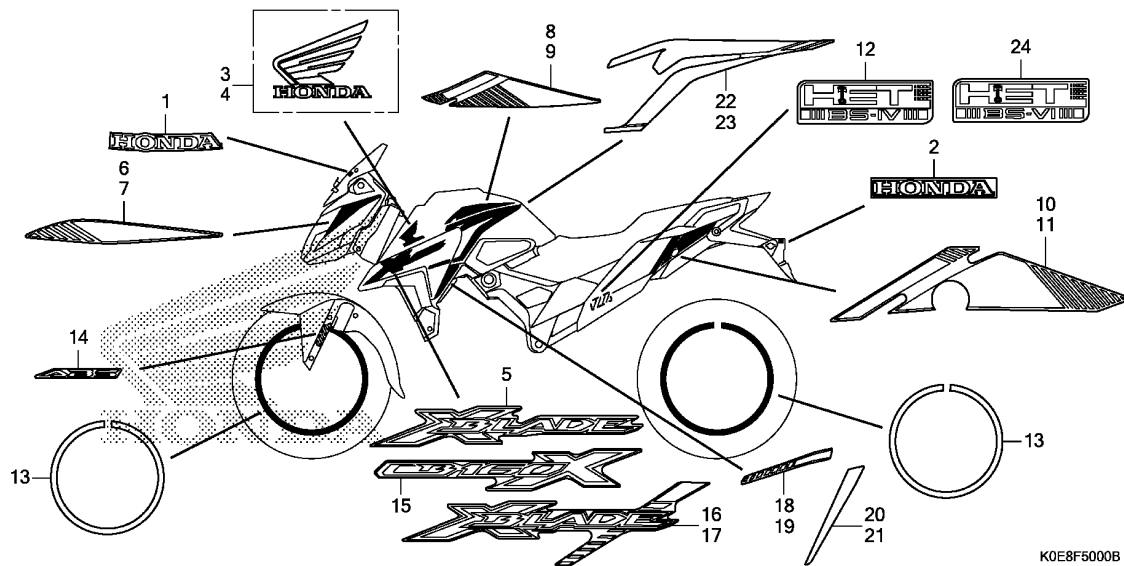
NO INFORMATION .....

Ref. No.	Part No.	Description	Reqd. QTY			Serial No.	Parts catalogue code
			J	K	M		
1	87505-K0E-D00	LABEL, TIRE & DRIVE CHAIN ...	1	1	1		
2	87508-KTE-D80	LABEL, CHAIN ADJUSTER .....	1	1	1		
3	87509-KWP-900	LABEL, AIR CLEANER ELEMENT					
		NOTICE	1	1	-		
4	87560-K43-900	LABEL, DRIVE .....	1	1	-		
5	87514-K26-C10	LABEL, ABS INFORMATION(1CH) -	-	1	-	----- 3BA,3ID,ID	
6	87509-KWP-900	LABEL, AIR CLEANER ELEMENT					
		NOTICE	-	-	1		
7	87560-KSP-D20	LABEL, DRIVE & ABS INFORMATION (1CH)	-	-	1		



# F-50

# MARK/STRIPE



Ref. L.O.N. (Relative ref. Number) F.R.T.  
No. Description

NO INFORMATION .....

3

Ref. No.	Part No.	Description	Reqd. QTY			Serial No.	Parts catalogue code
			CBF160FS				
			J	K	M		
1	86101-K67-900ZA	MARK, HONDA(70MM) *TYPE1*	1	1	1		
2	86102-K43-900ZA	MARK, HONDA(75MM) *TYPE1*	1	1	1		
3	86201-KOE-D00	EMBLEM, R. WING(80MM)	1	1	1		
4	86202-KOE-D00	EMBLEM, L. WING(80MM)	1	1	1		
5	86501-KOE-D00ZA	STRIPE, SHROUD GARNISH *TYPE1*	2	2	-	----- 3BA,3ID,BA,ID	
6	86613-KOE-D00ZA	STRIPE, R. FR. GARNISH *TYPE5*	1	1	-		
	86613-KOE-D00ZB	*TYPE4*	1	1	-		
	86613-KOE-D00ZC	*TYPE3*	1	1	-		
	86613-KOE-D00ZD	*TYPE2*	1	1	-		
	86613-KOE-D00ZE	*TYPE1*	1	1	-		
7	86614-KOE-D00ZA	STRIPE, L. FR. GARNISH *TYPE5*	1	1	-		
	86614-KOE-D00ZB	*TYPE4*	1	1	-		
	86614-KOE-D00ZC	*TYPE3*	1	1	-		
	86614-KOE-D00ZD	*TYPE2*	1	1	-		
	86614-KOE-D00ZE	*TYPE1*	1	1	-		
8	86641-KOE-D00ZA	STRIPE, R. FUEL TANK COVER *TYPE5*	1	1	-		
	86641-KOE-D00ZB	*TYPE4*	1	1	-		
	86641-KOE-D00ZC	*TYPE3*	1	1	-		
	86641-KOE-D00ZD	*TYPE2*	1	1	-		
	86641-KOE-D00ZE	*TYPE1*	1	1	-		
9	86642-KOE-D00ZA	STRIPE, L. FUEL TANK COVER *TYPE5*	1	1	-		

**F-50**

**MARK/STRIPE**

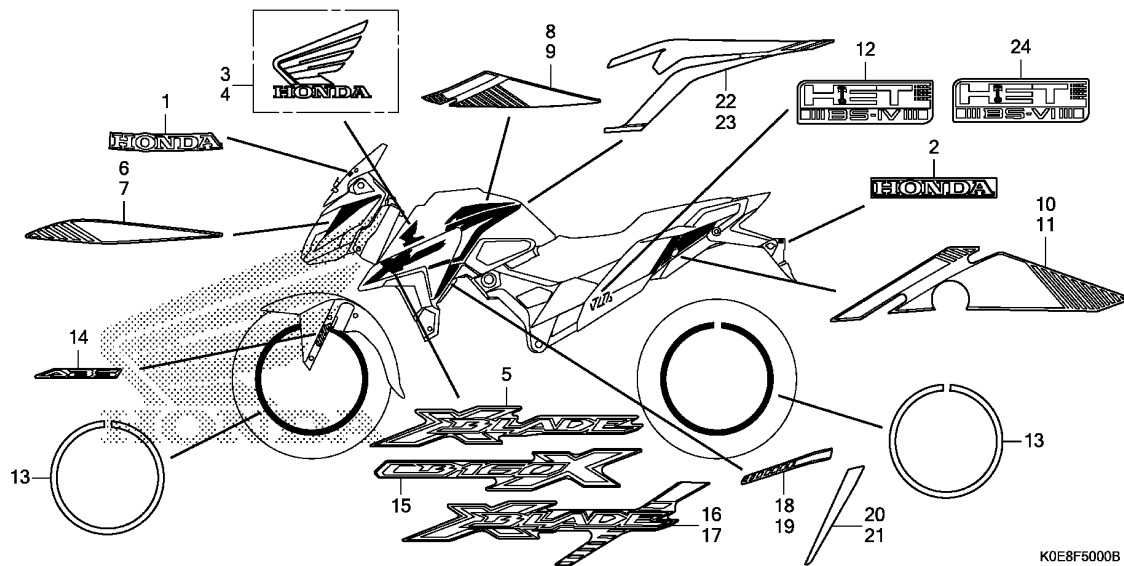
Ref. No.	Part No.	Description	Reqd. QTY			Serial No.	Parts catalogue code
			J	K	M		
(9)	86642-KOE-D00ZB	STRIPE, L. FUEL TANK COVER					
		*TYPE4*	1	1	-		
	86642-KOE-D00ZC	*TYPE3*	1	1	-		
	86642-KOE-D00ZD	*TYPE2*	1	1	-		
	86642-KOE-D00ZE	*TYPE1*	1	1	-		
10	86771-KOE-D00ZA	STRIPE, R. RR. COWL					
		*TYPE5*	1	1	-		
	86771-KOE-D00ZB	*TYPE4*	1	1	-		
	86771-KOE-D00ZC	*TYPE3*	1	1	-		
	86771-KOE-D00ZD	*TYPE2*	1	1	-		
	86771-KOE-D00ZE	*TYPE1*	1	1	-		
11	86772-KOE-D00ZA	STRIPE, L. RR. COWL					
		*TYPE5*	1	1	-		
	86772-KOE-D00ZB	*TYPE4*	1	1	-		
	86772-KOE-D00ZC	*TYPE3*	1	1	-		
	86772-KOE-D00ZD	*TYPE2*	1	1	-		
	86772-KOE-D00ZE	*TYPE1*	1	1	-		
12	86833-K43-900ZA	MARK, HET BS 4					
		*TYPE1*					
		(R. SIDE ONLY)	1	1	-		
13	86421-KOE-D20ZA	STRIPE, WHEEL					
		*TYPE4*	-	4	-		
	86421-KOE-D20ZB	*TYPE3*	-	4	-		
	86421-KOE-D20ZC	*TYPE2*	-	4	-		
	86421-KOE-D20ZD	*TYPE1*	-	4	-		
	86421-KOE-D50ZA	*TYPE5*	-	-	4		
	86421-KOE-D50ZB	*TYPE4*	-	-	4		
	86421-KOE-D50ZC	*TYPE3*	-	-	4		
	86421-KOE-D50ZD	*TYPE2*	-	-	4		
	86421-KOE-D50ZE	*TYPE1*	-	-	4		
14	86611-KOE-D20ZA	MARK, ABS					
		*TYPE1*					
		(R. SIDE ONLY)	-	1	1	----- 3BA,3ID,ID	
15	86501-KOE-S00ZA	STRIPE, SHROUD GARNISH					
		*TYPE1*	2	-	-	----- SL	
16	86503-KOE-D50ZA	STRIPE A, R. SHROUD GARNISH					
		*TYPE6*	-	-	1		
	86503-KOE-D50ZB	*TYPE5*	-	-	1		
	86503-KOE-D50ZC	*TYPE4*	-	-	1		
	86503-KOE-D50ZD	*TYPE3*	-	-	1		
	86503-KOE-D50ZE	*TYPE2*	-	-	1		
	86503-KOE-D50ZF	*TYPE1*	-	-	1		
17	86504-KOE-D50ZA	STRIPE A, L. SHROUD GARNISH					
		*TYPE6*	-	-	1		
	86504-KOE-D50ZB	*TYPE5*	-	-	1		
	86504-KOE-D50ZC	*TYPE4*	-	-	1		
	86504-KOE-D50ZD	*TYPE3*	-	-	1		
	86504-KOE-D50ZE	*TYPE2*	-	-	1		
	86504-KOE-D50ZF	*TYPE1*	-	-	1		
18	86505-KOE-D50ZA	STRIPE B, R. SHROUD GARNISH					
		*TYPE6*	-	-	1		
	86505-KOE-D50ZB	*TYPE5*	-	-	1		
	86505-KOE-D50ZC	*TYPE4*	-	-	1		
	86505-KOE-D50ZD	*TYPE3*	-	-	1		
	86505-KOE-D50ZE	*TYPE2*	-	-	1		
	86505-KOE-D50ZF	*TYPE1*	-	-	1		





# F-50

# MARK/STRIPE

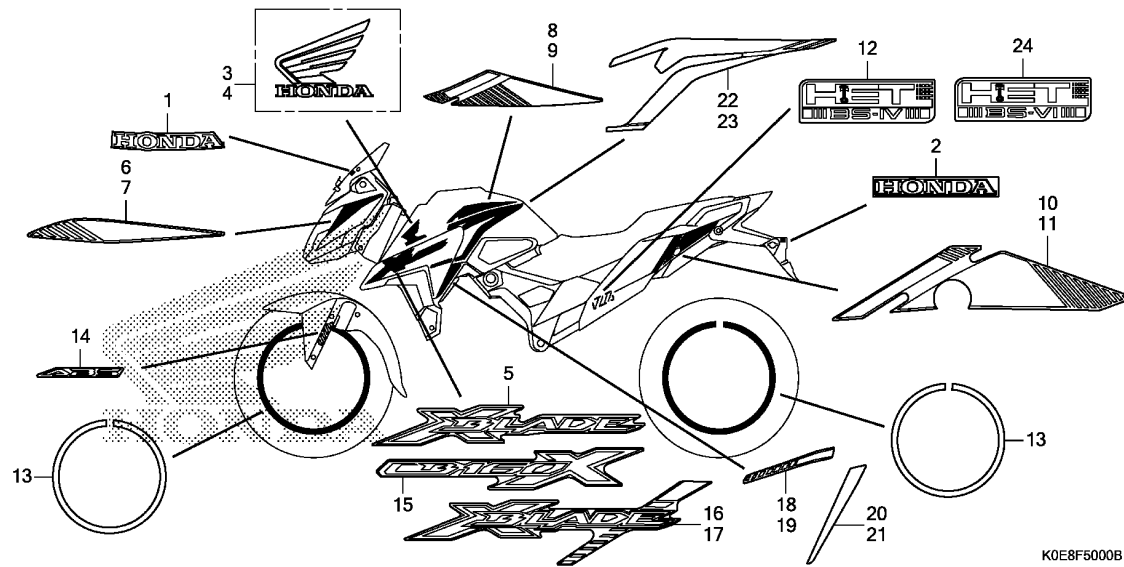


K0E8F5000B

Ref. No.	Part No.	Description	Reqd. QTY			Serial No.	Parts catalogue code
			CBF160FS	J	K		
19	86506-K0E-D50ZA	STRIPE B, L. SHROUD GARNISH	-	-	1		
		*TYPE6*	-	-	1		
	86506-K0E-D50ZB	*TYPE5*	-	-	1		
	86506-K0E-D50ZC	*TYPE4*	-	-	1		
	86506-K0E-D50ZD	*TYPE3*	-	-	1		
	86506-K0E-D50ZE	*TYPE2*	-	-	1		
	86506-K0E-D50ZF	*TYPE1*	-	-	1		
20	86507-K0E-D50ZA	STRIPE C, R. SHROUD GARNISH	-	-	1		
		*TYPE6*	-	-	1		
	86507-K0E-D50ZB	*TYPE5*	-	-	1		
	86507-K0E-D50ZC	*TYPE4*	-	-	1		
	86507-K0E-D50ZD	*TYPE3*	-	-	1		
	86507-K0E-D50ZE	*TYPE2*	-	-	1		
	86507-K0E-D50ZF	*TYPE1*	-	-	1		
21	86508-K0E-D50ZA	STRIPE C, L. SHROUD GARNISH	-	-	1		
		*TYPE6*	-	-	1		
	86508-K0E-D50ZB	*TYPE5*	-	-	1		
	86508-K0E-D50ZC	*TYPE4*	-	-	1		
	86508-K0E-D50ZD	*TYPE3*	-	-	1		
	86508-K0E-D50ZE	*TYPE2*	-	-	1		
	86508-K0E-D50ZF	*TYPE1*	-	-	1		
22	86641-K0E-D50ZA	STRIPE, R. FUEL TANK COVER	-	-	1		
		*TYPE6*	-	-	1		
	86641-K0E-D50ZB	*TYPE5*	-	-	1		
	86641-K0E-D50ZC	*TYPE4*	-	-	1		
	86641-K0E-D50ZD	*TYPE3*	-	-	1		
	86641-K0E-D50ZE	*TYPE2*	-	-	1		
	86641-K0E-D50ZF	*TYPE1*	-	-	1		

# F-50

# MARK/STRIPE



Ref. No.	Part No.	Description	Reqd. QTY			Serial No.	Parts catalogue code
			CBF160FS	J	K		
23	86642-KOE-D50ZA	STRIPE, L. FUEL TANK COVER					
		*TYPE6*	-	-	1		
	86642-KOE-D50ZB	*TYPE5*	-	-	1		
	86642-KOE-D50ZC	*TYPE4*	-	-	1		
	86642-KOE-D50ZD	*TYPE3*	-	-	1		
	86642-KOE-D50ZE	*TYPE2*	-	-	1		
	86642-KOE-D50ZF	*TYPE1*	-	-	1		
24	86833-KOL-D00ZA	MARK(HET BS 6)					
		*TYPE1*	-	-	1		
		(R. SIDE ONLY)	-	-	1		



# PART NO. INDEX

Part Number	Page	Ref.	Part Number	Page	Ref.	Part Number	Page	Ref.	Part Number	Page	Ref.	Part Number	Page	Ref.
06000			13021-K38-900	73	2	16000			17000			17689-KOE-D50	113	15
			13031-K38-900	73	2							17724-KON-D00	113	16
06410-KSP-900	108	1	13041-K38-900	73	2	16010-K1K-D01	81	2	17110-K1K-D00	60	7	17910-KOE-D01	85	1
	110	1	13051-K38-900	73	2	16010-KSP-911	79	1	17110-K43-900	59	9	17910-KOE-D52	86	1
06430-KTN-700	106	1	13101-K38-900	73	3	16012-K43-L01	79	2	17119-K1K-D00	60	8	17920-KOE-D52	86	2
06430-KVT-D10	106	1	13102-K38-900	73	3	16013-KRC-921	79	3	17120-K43-900	59	10	17950-K43-901	85	2
06435-KSP-B02	105	1	13103-K38-900	73	3	16015-KSP-911	79	4	17209-KOE-D70	103	1	17952-K38-900	67	4
06451-GE2-405	100	1	13104-K38-900	73	3	16016-KOL-D01	81	1	17211-K1K-D00	122	1			
06451-MA7-405	105	2	13105-K38-900	73	3	16016-KSP-911	79	5	17211-K38-901	120	7	18000		
06455-KPP-N01	100	2	13111-KSP-910	73	4	16028-KPP-901	79	6	17213-K1K-D00	122	2	23471-K43-900	75	10
06531-KW6-840	96	1	13411-K38-900	73	5	16037-KPP-861	79	7	17213-K43-D00	120	8	23481-K1K-D00	75	11
			13422-K38-900	74	1	16046-KVC-901	79	8	17214-K1K-D00	122	3	23491-K1K-D00	75	12
			13423-KRE-G00	74	2	16050-K38-901	79	9				23481-K43-900	75	11
11000			13424-KRE-G00	74	3	16075-K1K-D01	81	3	17214-K38-900	120	9	18300-KOE-D00	126	4
			13425-K38-900	74	4	16075-KRP-981	79	10				18300-KOE-D50	126	4
11100-K38-900	71	1	13426-KRE-G01	74	5	16077-KOL-D01	81	5	17215-KSP-900	120	10	18345-MBT-610	126	5
11200-K1K-D00	71	2	13427-KRM-840	74	6	16079-KOL-D01	81	4	17219-K1K-D00	122	5			
11200-K38-900	71	2	13428-KRM-840	74	7	16080-KTN-901	79	11	17219-K43-D00	120	11	18355-KOE-D00	126	6
11215-KRM-840	71	3	13538-KRM-840	74	8	16081-KVS-J01	81	6	17222-K1K-D00	122	6	18356-KOE-D00	126	7
11216-KRM-840	71	4				16100-KOE-D01	79	12	17222-K38-900	120	12	18356-KOE-D50	126	7
11217-KRM-840	71	5				16107-KGH-901	79	13	17223-KVX-600	138	1	18357-KOE-D00	126	1
11300-K38-900	64	1	14000			16111-K38-901	79	14				18421-438-670	126	8
11341-KOE-D00	67	1				16119-K38-901	79	15	17225-K43-D00	120	13	18442-KRC-900	126	9
11341-KOE-D50	67	1	14100-K1K-D00	61	2	16140-K38-901	79	16	17227-KTE-910	120	14	18600-K38-901	123	4
11360-KOE-D00	67	2	14100-K38-900	61	2	16155-KFR-701	79	17				18601-K38-900	123	5
11360-KOE-D50	67	2	14321-KRM-840	62	1	16163-K38-900	124	1	17230-K1K-D00	122	8	18602-K38-900	123	6
11393-KRE-G01	64	2	14401-KRE-G01	62	2	16163-K43-900	124	1	17232-KYJ-900	118	1	18603-K38-900	123	7
11395-KRE-G01	67	3	14430-KRE-G00	61	3	16163-KRP-981	79	18	17235-K38-901	120	15	18640-K38-900	123	8
			14451-K68-900	61	14	16165-KOE-D01	79	19	17245-K1K-D00	122	9			
12000			14452-K68-900	61	15	16169-K1K-D01	81	7	17245-K43-D00	120	16	22000		
			14510-KRE-G00	62	3	16180-K38-901	79	20	17255-KOL-D00	122	10	22100-KOE-D01	65	1
12100-K38-900	63	1	14515-KRE-G00	62	4	16180-K43-900	120	2	17310-K38-941	124	2	22115-KRE-G00	65	2
12191-K70-630	63	2	14520-K38-901	62	5	16181-K43-900	120	3	17311-K1K-D00	125	1	22120-KVS-J01	65	3
12191-KRE-G00	63	2	14560-KSP-910	62	6	16198-K38-940	120	6	17311-K43-900	124	3	22201-KOE-D01	65	4
12200-KOE-D50	60	1	14611-KRE-G00	62	7	16199-KOE-D00	120	5	17365-K38-900	123	2	22201-K1K-D01	65	4
12200-K38-900	59	1	14711-K38-900	61	5	16211-K38-900	59	7	17410-K1K-D01	125	2	22201-KRE-G01	65	5
12204-KRE-P00	59	2	14721-K38-900	61	6	16217-KSP-910	59	8	17412-KOE-D00	124	4	22202-K1K-D01	65	5
	60	2	14751-KRE-G00	61	7	16400-K1K-D01	81	9	17412-KOE-D50	125	9	22321-KOE-D01	65	6
12209-GB4-682	61	1	14761-KRE-G00	61	8	16410-K1K-D01	81	10	17413-K1K-D00	125	3	22321-KTE-D01	65	6
12213-KSP-910	59	3	14771-KRE-G00	61	9	16423-KGH-901	79	21	17413-K43-900	124	5	22355-KVS-J01	65	7
	60	3	14777-KRE-G00	61	10	16450-K1K-D00	81	11	17415-K1K-D00	125	4	22361-KVS-J01	65	8
12251-K38-901	59	4	14781-MA6-000	61	11	16472-KON-D01	81	12	17417-K43-900	124	6	22366-KRM-840	65	9
	60	4				16480-K1K-D01	81	13	17440-K43-901	124	7	22401-K1K-D01	65	10
12252-K38-900	59	4	15000			16485-KOL-D01	81	14	17441-K43-900	124	8	22401-KVS-J01	65	10
	60	4				16700-KOY-D01	113	2	17500-KOE-D50	113	8	22810-KRE-G00	64	4
12310-K1K-D00	58	9	15021-KRE-G00	70	1	16706-KVB-S51	113	3	17530-KOE-D00	112	5	22815-KM7-700	64	5
12310-K38-900	58	1	15022-KRE-G00	70	1	16707-KOY-D01	113	4	17560-K1K-D00	81	15	22821-K43-900	64	6
12341-K38-900	59	5	15100-KRE-G00	70	2	16715-K1K-D00	113	5	17611-KFN-850	112	6	22870-K43-901	85	3
	60	5	15133-K38-900	70	3	16716-K1K-D00	139	1						
12391-K38-900	58	2	15135-KRE-G00	70	4	16723-KOY-D01	113	6	17612-K43-900	112	7			
12395-KRE-G00	59	6	15421-KSP-910	70	5	16724-KOY-D01	113	7				23000		
	60	6	15430-KRE-G00	70	6	16950-KOE-D01	112	1				23121-K1K-D00	73	6
12397-KWG-601	58	3	15436-KRM-840	70	7	16950-KOE-D02	112	21	17620-KOE-D51	113	12	23121-KRE-G00	73	6
12398-KSP-B00	58	4	15441-KCS-650	70	8	16952-KOE-D01	112	2	17620-KSP-862	112	9	23210-K1K-D00	75	1
			15446-107-000	70	9	16953-K43-900	112	3	17622-GB7-900	123	3	23210-K38-900	75	1
			15459-K70-630	70	10	16955-KOE-D00	112	4	17650-K1K-D01	113	13	23221-KOE-D50	75	2
13000			15459-KWK-900	70	10	16956-KOE-D00	120	4	17681-KOE-D00	112	10	23221-K43-900	75	2
			15651-K38-900	64	3				17688-KOE-D50	113	14	23421-K43-900	75	3
13000-K1K-D00	73	11	15771-KV6-000	113	1									
13000-K38-900	73	1	15772-GW3-980	123	1									
13011-K38-900	73	2												



# PART NO. INDEX

Part Number	Page	Ref.	Part Number	Page	Ref.	Part Number	Page	Ref.	Part Number	Page	Ref.	Part Number	Page	Ref.
46000			50400-KOE-D50ZE	116	1	52000			61111-KOE-D00ZF	97	4	64415-KOE-D00ZB	114	8
46182-MEL-D21	103	16	50401-KOE-D00	117	19	52141-K21-900	132	7	61111-KOE-D00ZG	97	4	64415-KOE-D00ZC	115	8
46500-KOE-D00	127	16	50402-KOE-D00	117	20	52144-GC4-003	132	8	61111-KOE-D00ZH	97	4	64415-KOE-D00ZD	115	8
46500-KOE-D70	128	32	50450-KOE-D00ZA	116	2	52170-KOE-D00	132	9	61111-KOE-D00ZJ	97	4	64415-KOE-D00ZE	115	8
46504-KV6-702	103	17	50450-KOE-D50ZA	116	2	52200-KOE-D00	132	10	61112-KOE-D00	97	5	64415-KOE-D50ZA	115	8
46510-K21-900	127	18	50450-KOE-D50ZB	116	2	52200-KOE-D70	132	10	61112-KOE-D20ZA	97	10	64415-KOE-D50ZB	115	8
46514-KN5-670	128	33	50450-KOE-D50ZD	116	2	52400-K43-901	134	1	61115-KOE-D20ZA	99	30	64415-KOE-D50ZC	115	8
			50450-KOE-D50ZE	116	2				61125-KOE-D20ZA	99	31	64415-KOE-D50ZD	115	8
			50500-KOE-D00	131	1				61150-KOE-D00	98	9	64415-KOE-D50ZE	115	8
50000			50520-KOE-D00	131	2	53000			61160-KOE-D00	98	10	64415-KOE-D50ZF	115	8
50100-KOE-D00	144	1	50526-K1K-D00	131	3	53100-KOE-D00ZA	95	5	61300-KOE-D00ZA	146	1	64422-KOE-D00	115	9
50100-KOE-D20	144	1	50526-K38-940	131	3	53105-KRC-900	85	9	61303-KOE-D00	82	2	64423-KOE-D00	115	10
50100-KOE-D40	144	1	50530-KOE-D00	131	4				61304-KOE-D00	146	2	64425-KOE-D00ZA	115	11
50100-KOE-D50	144	1	50530-KOE-D50	131	4	53131-KOE-D00ZA	95	6	61304-KTC-A20	148	2	64425-KOE-D00ZB	115	11
50211-KOE-D00	144	2	50602-KSP-900	129	3	53132-KOE-D00ZA	95	7	61304-MGS-D70	139	14	64425-KOE-D00ZC	115	11
50212-KOE-D00	144	3	50603-KON-D00	130	24	53140-K1K-D00	86	10	61305-KOE-D00ZA	146	3	64425-KOE-D00ZD	115	11
50220-K43-900	129	1	50618-KE8-000	129	6	53140-K38-940	85	10	61305-KOE-D00ZC	146	3	64425-KOE-D00ZE	115	11
50221-K43-900	129	2	50619-KOE-D00	129	7	53142-KOE-D00ZA	95	8	61305-KOE-D00ZF	146	3	64425-KOE-D50ZA	115	11
50240-KOE-D00ZF	114	1	50640-KOE-D00	129	4	53166-KSP-A70	85	11	61305-KOE-D00ZG	146	3	64425-KOE-D50ZB	115	11
50240-KOE-D50ZA	114	1	50640-KOE-D50	129	4				61305-KOE-D00ZH	146	3	64425-KOE-D50ZC	115	11
50240-KOE-D50ZB	114	1	50640-KOE-D70	129	4	53172-KTE-930	85	14	61305-KOE-D00ZJ	146	3	64425-KOE-D50ZD	115	11
50240-KOE-D50ZC	114	1	50643-KOE-D00	129	8				61306-KOE-D00ZA	146	3	64425-KOE-D50ZE	115	11
50240-KOE-D50ZD	114	1	50661-K43-900	129	9	53175-KSP-B51	88	16	61306-KOE-D00ZB	146	3	64425-KOE-D50ZF	115	11
50240-KOE-D50ZE	114	1	50701-KSP-900	129	10				61306-KOE-D00ZC	146	3	64431-KOE-D00	115	12
50250-KOE-D00ZF	114	2	50710-KYJ-900	129	12				61306-KOE-D00ZD	146	3	64431-KOE-D50	115	12
50250-KOE-D50ZA	114	2	50711-KOE-D50	129	13	53178-K21-900	85	15	61306-KOE-D00ZE	146	3	64432-K43-900	115	13
50250-KOE-D50ZB	114	2	50711-K43-900	129	13				61310-KOE-D00	83	6	83502-KCC-900	148	9
50250-KOE-D50ZC	114	2	50712-KOE-D50	129	14	53179-KWF-950	85	16	61312-KOE-D00	82	3	83545-KCJ-690	118	6
50250-KOE-D50ZD	114	2	50712-K43-900	129	14				61315-KOE-D00	82	3	83551-300-000	112	12
50250-KOE-D50ZE	114	2	50715-KE8-000	129	15				61315-KOE-GGJ-700	136	8		113	18
50250-KOE-D00ZF	114	2	50715-KSP-910	129	16	53211-268-010	96	3	61315-KOE-D00ZA	146	4		144	5
50250-KOE-D50ZA	114	2	50740-KOE-D00	129	11	53212-200-000	96	4	61315-KOE-D00ZC	147	4	64440-KOE-D00ZC	115	14
50250-KOE-D50ZB	114	2	50740-KOE-D50	129	11	53214-200-000	96	5	61315-KOE-D00ZF	147	4	64440-KOE-D00ZE	115	14
50250-KOE-D50ZC	114	2	50801-KSP-900	129	17	53219-KOE-D00	96	6	61315-KOE-D00ZG	147	4	64440-KOE-D00ZE	115	14
50250-KOE-D50ZD	114	2				53220-KSP-900	96	7	61315-KOE-D00ZH	147	4	64461-KOE-D00	115	15
50250-KOE-D50ZE	114	2				53230-KOE-D00	95	9	61315-KOE-D00ZJ	147	4	64461-KOE-D50	115	15
50271-KOE-D00	114	3	51000						61316-KOE-D00ZA	146	4	64471-KOE-D00	115	16
50271-KOE-D50	114	3	51103-KOE-D00	144	9				61316-KOE-D00ZB	146	4			
50272-KOE-D00	114	4	51104-KOE-D00	144	10	57000			61316-KOE-D00ZC	146	4	75000		
50297-KOE-D00	144	4	51105-K43-900	144	11	57110-KOE-D21	92	7	61316-KOE-D00ZD	146	4	75581-GN8-920	116	3
50297-KOE-D50	144	4	51400-KOE-D01	98	2	57110-KOE-D41	93	7	61316-KOE-D00ZE	146	4			
50301-KTR-900	96	2	51400-KOE-D21	98	2	57110-KOE-D51	94	7				77000		
50345-KOE-D20	92	6	51401-KOE-D01	98	3				64000			77200-KOE-D01	116	4
50345-KOE-D40	93	6	51403-KOE-D01	98	4							77205-286-000	116	5
50345-K1K-D00	94	6	51404-K23-902	98	5	61101-KOE-D00	97	1	64310-KOE-D20ZA	148	3	77206-KTE-910	116	6
50346-KOE-D50	94	15	51410-KOE-D01	98	6	61102-KTY-D30	92	8	64311-KOE-D50ZA	149	3	77206-KWS-900	116	7
50351-KOE-D00	144	7	51412-KOE-D01	98	7				64312-KOE-D50ZA	149	4	77208-KW7-900	92	9
50351-KOE-D50	144	7	51413-KOE-D01	98	8	61103-357-000	137	9	64314-KOE-D50	149	2		93	9
50384-K1K-D00	139	10	51420-KOE-D01	98	11	61103-KRY-900	97	2	64315-KOE-D00	147	5		94	9
50384-K43-D00	138	8	51420-KOE-D21	98	11	61104-KM7-910	137	11	64316-KOE-D50	149	5	77225-K43-901	116	8
50385-K1K-D00	139	11	51425-KOE-D01	99	24	61105-KRY-900	97	3	64317-KOE-D50	149	6	77231-KOE-D00	118	2
50386-KOE-D00	138	9	51432-KOE-D01	98	12				64320-KOE-D20ZA	148	4	77232-KOE-D00	118	3
50386-KOE-D50	139	12	51437-K23-902	98	13				64330-KOE-D20	148	5	77234-GN2-000	116	9
50387-K1K-D00	139	13	51440-KOE-D01	98	14				64340-KOE-D20	148	6	77240-K43-900	116	10
50388-K1K-D00	145	23	51490-KOE-D01	98	17	61111-KOE-D00ZA	97	4	64350-KOE-D20	148	7	77241-K43-900	116	11
50388-K38-900	138	10	51500-KOE-D01	98	18	61111-KOE-D00ZB	97	4	64360-KOE-D20	148	8	77250-KOE-D00	117	12
50400-KOE-D00ZA	116	1	51520-KOE-D01	98	19	61111-KOE-D00ZC	97	4	64412-KOE-D00	114	5	77270-KOE-D00ZA	118	4
50400-KOE-D50ZA	116	1				61111-KOE-D00ZD	97	4	64413-KOE-D00	114	6	77270-KOE-D00ZB	118	4
50400-KOE-D50ZB	116	1				61111-KOE-D00ZE	97	4	64414-KOE-D00	114	7	77270-KOE-D00ZC	118	4
50400-KOE-D50ZD	116	1							64415-KOE-D00ZA	114	8	77270-KOE-D00ZD	118	4
												80000		
												80110-KOE-D00ZA	135	2
												80121-KOE-D00	135	3
												80121-KOE-D50	135	3
												80124-K26-900	135	4
												80202-KVE-900	137	6
												80203-KVE-900	137	7
												80211-KOE-D00	135	5
												80212-KOE-D00	135	6
												80212-KOE-D70	135	6
												80216-KOE-D00	135	7
												80311-KOE-D00	135	8
												83000		
												83502-KCC-900	148	9
												83545-KCJ-690	118	6
												83551-300-000	112	12
													113	18
													144	5
												83551-376-000	115	17
													118	7
													139	23
												83560-KOE-D00	144	6
												83560-KOE-D70	144	6
												83561-KOE-D00	119	1
												83561-KOE-D50	119	1
												83565-KOE-D00	144	8

# PART NO. INDEX

Part Number	Page	Ref.	Part Number	Page	Ref.	Part Number	Page	Ref.	Part Number	Page	Ref.	Part Number	Page	Ref.	Part Number	Page	Ref.	
86421-KOE-D50ZB	153	13	86641-KOE-D50ZB	154	22	90012-KK3-830	61	12				111	16	90544-K23-902	99	23		
86421-KOE-D50ZC	153	13	86641-KOE-D50ZC	154	22	90014-KRE-G00	59	13	90120-MJE-D00	113	19		132	12	90545-300-000	88	20	
86421-KOE-D50ZD	153	13	86641-KOE-D50ZD	154	22		60	13	90121-KSP-900	132	11	90306-KTE-911	101	10			90	15
86421-KOE-D50ZE	153	13	86641-KOE-D50ZE	154	22	90019-399-010	144	12	90123-K23-902	98	16	90311-KON-D00	139	18			91	15
86501-KOE-D00ZA	152	5	86641-KOE-D50ZF	154	22	90022-KRM-840	77	15	90123-KRM-860	99	27	90311-KTE-910	135	14			92	11
86501-KOE-S00ZA	153	15	86642-KOE-D00ZA	152	9	90031-KRE-G00	71	9	90128-K45-N00	109	18	90311-MT3-000	138	14			93	11
86503-KOE-D50ZA	153	16	86642-KOE-D00ZB	153	9	90032-KRE-G00	71	10		111	23	90314-KVS-F22	83	7			94	11
86503-KOE-D50ZB	153	16	86642-KOE-D00ZC	153	9	90035-KRM-840	59	14	90128-KYJ-900	117	16	90320-KTE-600	82	6			103	21
86503-KOE-D50ZC	153	16	86642-KOE-D00ZD	153	9		60	14	90130-KOE-D00	97	6		83	8	90557-230-000	127	1	
86503-KOE-D50ZD	153	16	86642-KOE-D00ZE	153	9	90036-KRE-G00	59	15	90130-KYJ-900	97	7		119	5	90560-KSP-900	107	10	
86503-KOE-D50ZE	153	16	86642-KOE-D50ZA	155	23		60	15		148	12		135	15			109	13
86503-KOE-D50ZF	153	16	86642-KOE-D50ZB	155	23	90071-KTE-D00	69	8	90131-KOE-D20	99	32		137	12			111	17
86504-KOE-D50ZA	153	17	86642-KOE-D50ZC	155	23	90083-KRM-840	62	9	90131-KRM-840	71	11		145	21	90601-K14-960	78	11	
86504-KOE-D50ZB	153	17	86642-KOE-D50ZD	155	23	90084-041-000	75	17	90131-KWP-F00	130	24		147	10	90604-KRM-840	74	14	
86504-KOE-D50ZC	153	17	86642-KOE-D50ZE	155	23	90084-K38-940	67	5	90131-KYJ-610	102	18		148	13	90605-200-000	78	10	
86504-KOE-D50ZD	153	17	86642-KOE-D50ZF	155	23	90085-KSP-901	66	6	90132-KPP-T00	126	15	90380-MB2-000	136	11	90605-KVS-900	76	25	
86504-KOE-D50ZE	153	17	86771-KOE-D00ZA	153	10	90087-KSP-860	67	6	90134-KOE-D00	147	8	90401-KRE-G00	74	10	90646-657-000	123	11	
86504-KOE-D50ZF	153	17	86771-KOE-D00ZB	153	10	90100-KYJ-710	95	10	90134-KOE-D50	149	8	90401-KRM-B10	65	13	90651-KOE-D01	98	15	
86505-KOE-D50ZB	153	18	86771-KOE-D00ZC	153	10	90101-GEO-000	82	4	90134-KPP-T00	99	28	90401-KTE-D01	69	10	90651-K14-A31	149	9	
86505-KOE-D50ZC	153	18	86771-KOE-D00ZD	153	10		98	20		115	21	90401-KVS-740	65	13	90651-K38-900	128	25	
86505-KOE-D50ZD	153	18	86771-KOE-D00ZE	153	10		118	8		119	4	90402-KTE-D01	69	11	90651-K43-D21	102	20	
86505-KOE-D50ZE	153	18	86772-KOE-D00ZA	153	11		133	19		135	12	90403-KRM-840	74	11	90651-KM9-000	120	18	
86505-KOE-D50ZF	153	18	86772-KOE-D00ZB	153	11		135	9	90135-KOE-D00	147	9	90403-KTE-D01	69	12			122	12
86506-KOE-D50ZA	154	19	86772-KOE-D00ZC	153	11		144	18	90136-428-870	112	14	90404-KRE-G00	59	17	90651-KWP-F00	123	15	
86506-KOE-D50ZB	154	19	86772-KOE-D00ZD	153	11		147	6		113	20		60	17			125	6
86506-KOE-D50ZC	154	19	86772-KOE-D00ZE	153	11	90102-GB2-720	148	10	90140-K43-D31	103	18	90404-KTE-D01	69	13	90651-MA5-671	88	21	
86506-KOE-D50ZD	154	19	86833-KOL-D00ZA	155	24	90103-K38-940	84	4	90145-GAZ-981	88	18	90412-KPH-900	75	18			90	16
86506-KOE-D50ZE	154	19	86833-K43-900ZA	153	12	90105-KSP-870	101	9		89	13	90417-KRM-840	77	16			91	16
86506-KOE-D50ZF	154	19					111	14		91	13	90417-KSP-900	123	9	90651-MK3-780	120	19	
86507-KOE-D50ZA	154	20	87000			90106-K43-D20	102	17		92	10	90441-KRM-840	75	19			122	13
86507-KOE-D50ZB	154	20	87505-KOE-D00	151	1	90107-GN1-010	131	5		93	10	90443-MB0-000	60	18			138	15
86507-KOE-D50ZC	154	20	87508-KTE-D80	151	2	90107-KOE-D00	115	18		94	10	90451-KGH-900	78	8	90652-K43-900	120	20	
86507-KOE-D50ZD	154	20	87509-KWP-900	151	3	90111-147-000	135	10		103	19	90451-KRE-G00	75	20	90652-KPL-901	141	21	
86507-KOE-D50ZE	154	20				90111-162-000	120	17	90151-KSP-900	134	2	90453-KVS-900	76	21			145	22
86507-KOE-D50ZF	154	20					122	11	90153-KYJ-900	134	3		22		90652-KWP-F00	124	11	
86508-KOE-D50ZA	154	21	87514-K26-C10	151	5		135	11	90155-KSP-900	100	15	90453-KVX-600	76	21			125	7
86508-KOE-D50ZB	154	21	87560-K43-900	151	4		138	12	90201-KRE-G00	59	16	90454-KPH-900	78	9	90653-KOL-D00	139	19	
86508-KOE-D50ZC	154	21	87560-KSP-D20	151	7		139	16		60	16	90454-KPS-900	76	23	90654-KOL-D00	115	22	
86508-KOE-D50ZD	154	21				90111-187-000	82	5	90201-KRM-840	68	4	90457-KRM-840	77	17	90677-KAN-T00	115	22	
86508-KOE-D50ZE	154	21	88000				115	19	90201-KTE-D01	69	9	90458-KRE-G00	74	12	90678-K14-600	123	12	
86508-KOE-D50ZF	154	21	88114-198-D10	84	1	90111-362-000	95	11	90201-MW3-620	84	5	90458-KVS-900	76	24	90678-K38-900	120	21	
86611-KOE-D20ZA	153	14	88210-K38-941ZA	84	2	90111-K98-E00	94	16	90202-KRM-840	65	12	90463-KRM-840	58	5			122	14
86613-KOE-D00ZA	152	6	88220-K38-941ZA	84	3	90111-KSP-860	112	13		70	11	90501-KPT-A00	65	14	90701-KRE-G00	59	18	
86613-KOE-D00ZB	152	6				90111-MM9-000	147	7		74	9		68	5			60	19
86613-KOE-D00ZC	152	6				90111-MR5-000	138	13	90206-250-000	61	13		70	12			63	3
86613-KOE-D00ZD	152	6	89000				20		90301-KGH-901	107	8		74	13	90702-KRM-840	64	7	
86613-KOE-D00ZE	152	6					139	17	90301-KWN-901	99	22	90502-K43-900	127	20			67	7
86614-KOE-D00ZA	152	7	89102-KTE-910	150	2	90113-KOE-D00	126	14		135	13	90502-KEZ-900	123	10			70	13
86614-KOE-D00ZB	152	7	89216-KTE-910	150	3	90114-166-006	88	17	90302-KBP-900	132	17	90503-KSP-900	95	14			71	12
86614-KOE-D00ZC	152	7	89221-429-000	150	4		89	12	90302-KST-942	107	8	90504-964-000	147	11	90741-KFB-000	73	7	
86614-KOE-D00ZD	152	7	89233-KSP-900	150	5		91	12	90302-KTE-911	107	8	90505-KRM-860	128	21	90741-KGH-900	73	8	
86614-KOE-D00ZE	152	7				90114-310-000	85	17	90304-K63-D30	95	12	90508-K21-921	88	19			74	15
86641-KOE-D00ZA	152	8	90000				86	17	90304-KTE-911	95	13		90	14				
86641-KOE-D00ZB	152	8	90002-KRM-840	59	12	90116-K23-902	98	21		109	12		91	14	91000			
86641-KOE-D00ZC	152	8				90116-SPO-003	115	20		111	15		103	20				
86641-KOE-D00ZD	152	8					117	15		131	6	90521-028-000	131	7	91001-K43-D41	73	9	
86641-KOE-D00ZE	152	8	90003-KVS-900	77	14		118	9		134	4	90521-427-770	95	15	91003-K38-901	76	26	
86641-KOE-D50ZA	154	22	90005-K15-900	62	8		119	3	90305-KSP-900	126	10	90521-KSP-900	99	29	91004-K38-901	74	16	
			90008-KRM-840	65	11		148	11	90305-KVN-901	107	9	90522-KSP-860	132	13	91004-KTN-900	76	27	



# PART NO. INDEX

Part Number	Page	Ref.	Part Number	Page	Ref.	Part Number	Page	Ref.	Part Number	Page	Ref.	Part Number	Page	Ref.
91005-K38-901	76	28	93500-05012-1H	79	25	94103-06700	128	22		140	15			
91006-K38-901	76	29	93600-04012-1G	88	22	94103-10000	126	12		143	25	96001-06028-07	86	23
91013-KYJ-711	76	29		90	17	94109-12000	71	15	95701-06016-07	144	16		91	21
91022-K38-901	66	7		91	17	94201-16150	130	22	95701-06020-00	118	10	96001-06030-00	93	16
91051-K15-901	101	11	93700-05012-0A	70	14	94201-20120	128	23	95701-06020-07	128	28	96001-06032-00	64	11
91051-K21-901	101	11	93891-04010-18	81	19	94201-20150	104	25		130	26	96001-06035-00	97	9
91051-K21-902	101	11	93891-04016-18	81	20		128	24	95701-06020-08	140	16		58	8
91051-K21-903	101	11	93892-05012-18	80	26		130	22		143	26	96001-06040-00	67	10
91051-KPP-N01	109	14	93892-05020-07	85	18		23		95701-06022-00	69	17	96001-06045-00	64	12
	111	18		86	18	94201-30300	131	8		81	21	96100-60030-00	67	11
91053-K21-901	109	15	93892-05025-07	85	19	94251-08000	70	16		94	13	96211-08000	65	15
	111	20		86	19	94301-07120	58	6		143	27	96220-30085	128	31
91053-KWF-931	101	11	93892-05035-07	85	20	94305-20102	104	26	95701-06022-08	104	29	96220-30168	77	19
91071-KSP-901	132	14		86	20	94510-14000	77	18	95701-06025-00	59	20	96300-06020-07	70	18
91202-KSP-911	64	8	93892-05045-07	85	21	94510-28000	74	14		92	13	96300-06020-07	102	19
91203-KSP-911	71	13		86	21	94601-14000	73	10		93	13	96600-06016-00	68	6
91204-KSP-911	64	9	93894-05010-07	115	24				95701-06030-00	60	21	96600-06022-00	68	7
91212-422-006	103	22	93901-24480	137	8	95000				123	18			
91216-KSP-911	76	30	93901-34120	70	15				95701-06035-00	70	17	98000		
91251-KPH-901	101	12	93901-34380	136	9	95001-45260-40	124	9		107	11	98200-31500	139	22
91254-KS6-003	132	15	93903-24380	117	17	95001-45490-40	124	10	95701-06040-00	71	17	98200-32000	138	17
91257-230-003	109	16	93903-25220	82	7	95001-45570-40	125	10	95701-06045-00	71	18	98200-40500	135	19
	111	21		94	17	95002-02089	121	25	95701-06070-00	71	19		140	18
	24			104	23	95002-02100	112	18	95701-08014-07	144	17		141	18
91301-KTE-D01	69	14		139	20	95002-02120	124	12	95701-08016-00	148	16	98200-40750	143	28
91301-P7A-004	81	17		147	12	95002-70000	121	26		149	11	98200-41000	135	19
91302-KDN-D00	60	20	93903-25280	97	8	95005-45140-50	121	27	95701-08025-07	135	18		141	18
91302-KTE-D01	69	15		115	25	95005-50035-50	121	28	95701-08035-07	96	8		23	
91303-KRM-840	67	8		135	16	95005-80085-20	122	17	95701-08040-07	128	29		26	
91303-KTE-D01	69	16		144	13	95005-80095-20	121	29		145	19		143	29
91304-KRM-840	59	19		148	14	95005-80680-20	112	19	95701-10025-00	130	25	98200-41500	135	20
91305-KPH-900	71	14	93903-25320	82	8		113	23	95702-06035-00	107	11		141	19
91305-KRM-840	67	9		83	9	95011-51000	128	26	95801-10055-00	126	13		24	
91306-KRM-840	62	10	93903-25380	135	17	95011-62000	131	9	95801-10090-00	145	20			
91307-KRM-840	64	10	93903-25480	120	23	95014-72102	131	10				99000		
91309-MJO-003	123	13		122	16	95015-53000	128	27	96000					
91351-K21-900	112	15	93903-25580	120	24	95015-54000	104	27				99101-MFE-1200	80	27
	113	21				95701-06010-00	140	14	96001-06010-00	59	21			
91351-K23-902	99	25	94000				141	22	96001-06010-07	104	30			
91352-KSP-900	109	17					143	23	96001-06012-00	58	7			
	111	22	94001-06000-0S	132	16	95701-06012-00	112	20		88	24			
91406-KFN-850	120	22	94002-08000-0S	104	24		113	24		92	14			
	122	15	94002-12200-0S	74	17		143	24		93	14			
91509-GE2-760	115	23	94050-05000	137	10		148	15		94	14			
91565-SEL-003	102	21	94050-06000	85	22		149	10		117	14			
91771-MKK-H11	142	21		86	22	95701-06012-07	82	9	96001-06012-07	128	30			
				88	23		92	12	96001-06016-00	68	6			
92000				90	18		93	12		71	20			
				91	18		99	34	96001-06020-00	71	21			
92101-05025-0H	137	13		112	17		123	16		81	22			
92101-06012-0G	129	18		113	22		133	18		140	17			
92101-06020-4J	143	22		123	14		144	15	96001-06022-00	59	22			
			94050-08000	129	19	95701-06014-08	104	28		60	22			
93000			94050-10000	126	11	95701-06016-00	62	11		62	12			
				136	10		71	16		68	7			
93500-04008-1H	79	23		144	14		76	31		88	25			
93500-04012-0H	79	24	94101-06000	129	20		123	17		90	19			
93500-04035-0G	112	16	94102-08000	129	20		138	16		91	19			
93500-05010-0H	125	8		130	21		139	21	96001-06025-00	85	23			

## PART NAME INDEX

Part name	Page	Ref.	Part name	Page	Ref.	Part name	Page	Ref.
[ A ]								
ADJUSTER COMP., CHAIN .....	132	5	BOLT, DRIVE SPROCKET FIXING ...	75	17	BOLT, FLANGE, 6X20 .....	102	19
AID KIT, FIRST .....	150	1	BOLT, FLANGE, 10X110 .....	144	12		118	10
ARM ASSY., KICK STARTER .....	127	8	BOLT, FLANGE, 10X25 .....	130	25		128	28
ARM COMP., VALVE ROCKER .....	61	3	BOLT, FLANGE, 10X48 .....	134	2		130	26
ARM, GEAR CHANGE .....	127	3	BOLT, FLANGE, 10X53 .....	134	3		140	16
ARM, RR. BRAKE .....	106	5	BOLT, FLANGE, 10X55 .....	126	13			17
AXLE, FR. WHEEL .....	101	3	BOLT, FLANGE, 10X90 .....	145	20	BOLT, FLANGE, 6X22 .....	143	26
AXLE, RR. WHEEL .....	108	3	BOLT, FLANGE, 5X14 .....	59	12		59	22
	110	3		60	12		60	22
			BOLT, FLANGE, 6MM .....	82	5		62	12
				94	16		68	7
				115	19		69	17
				120	17		81	21
				122	11		88	25
				135	10		90	19
					11		91	19
					12		94	13
					16		104	29
			BOLT, FLANGE, 6X10 .....	59	21		143	27
				104	30	BOLT, FLANGE, 6X25 .....	59	20
				140	14		65	11
				141	22		85	23
				143	23		86	23
				59	15		92	13
			BOLT, FLANGE, 6X110 .....	60	15		93	13
				58	7	BOLT, FLANGE, 6X28 .....	91	21
			BOLT, FLANGE, 6X12 .....	82	9		93	16
				88	24	BOLT, FLANGE, 6X30 .....	60	21
				92	12		64	11
					14		123	18
				93	12	BOLT, FLANGE, 6X32 .....	97	9
					14	BOLT, FLANGE, 6X35 .....	58	8
				94	14		67	10
				99	34		70	17
				112	20		107	11
				113	24	BOLT, FLANGE, 6X40 .....	64	12
				117	14		71	17
				123	16	BOLT, FLANGE, 6X45 .....	67	11
				128	30		71	18
				133	18	BOLT, FLANGE, 6X70 .....	71	19
				143	24	BOLT, FLANGE, 8X14 .....	144	17
				144	15	BOLT, FLANGE, 8X16 .....	148	16
				148	15		149	11
				149	10	BOLT, FLANGE, 8X25 .....	100	15
				102	17		135	18
			BOLT, FLANGE, 6X14 .....	104	28	BOLT, FLANGE, 8X35 .....	96	8
				62	11	BOLT, FLANGE, 8X36 .....	95	11
			BOLT, FLANGE, 6X16 .....	68	6	BOLT, FLANGE, 8X40 .....	128	29
				71	16		145	19
				76	31	BOLT, FR. FORK .....	99	27
				123	17	BOLT, HANDLE LEVER PIVOT .....	85	17
				138	16		86	17
				139	21		88	17
				140	15		89	12
				143	25		91	12
				144	16	BOLT, HEX., 5X25 .....	137	13
				71	21	BOLT, HEX., 6X12 .....	129	18
			BOLT, FLANGE, 6X20 .....	81	22	BOLT, HEX., 6X20 .....	77	14
							143	22





## PART NAME INDEX

Part name	Page	Ref.	Part name	Page	Ref.	Part name	Page	Ref.
BOLT, KNOCK, 5MM .....	62	9	CABLE COMP., THROTTLE .....	85	1	CLAMPER B, FR. BRAKE HOSE .....	87	4
BOLT, OIL, 10X22 .....	88	18	CABLE, BATTERY EARTH .....	138	5		92	3
	89	13		139	7		93	3
	91	13	CABLE, SEAT LOCK .....	116	10		94	3
	92	10	CABLE, STARTER MAGNETIC			CLAMPER C, FR. BRAKE HOSE .....	94	12
	93	10	BATTERY	138	3	CLAMPER, A.C. GENERATOR CORD ..	68	3
	94	10		139	4	CLAMPER, RR. BRAKE HOSE .....	103	2
	103	19	CABLE, STARTER MOTOR .....	138	4	CLAMPER, SPEED SENSOR CORD .....	99	33
BOLT, PIN .....	100	8		139	6	CLAMP, MASTER CYLINDER OIL		
BOLT, SOCKET, 4X21 .....	112	13	CABLE, TIE .....	141	21	HOSE	103	11
BOLT, SOCKET, 4X25 .....	113	19		145	22	CLAMP, TUBE .....	120	22
BOLT, SOCKET, 5X9 .....	138	13	CALIPER SUB ASSY., RR. ....	105	6		122	15
			CALIPER SUB ASSY., R. FR. ....	100	13	CLIP .....	124	1
	139	17	CAMSHAFT COMP. ....	61	2	CLIP, AIR HOSE, 16MM .....	123	11
BOLT, SOCKET, 6MM .....	66	6	CAM, FR. BRAKE .....	107	7	CLIP, BREATHER TUBE .....	123	1
BOLT, SOCKET, 6X16 .....	68	6	CANISTER COMP. ....	124	2	CLIP, BUMPER SEAL .....	115	20
BOLT, SOCKET, 6X22 .....	68	7		125	2		117	15
BOLT, SOCKET, 8MM .....	98	21	CAP ASSY., NOISE SUPPRESSOR ...	140	4		118	9
BOLT, SPECIAL, 6X21 .....	59	13		142	3		119	3
	60	13	CAP COMP., FUEL FILLER .....	112	9		148	11
BOLT, SPROCKET FIXING .....	117	16		113	12		149	7
BOLT, STUD, 10X22 .....	109	18	CAP, 14MM .....	67	5	CLIP, COUPLER .....	102	21
	111	23	CAP, 32MM .....	67	6	CLIP, HARNESS .....	102	20
BOLT, STUD, 8X22 .....	59	14	CAP, BLEEDER .....	100	4	CLIP, HOSE .....	123	12
	60	14		105	10	CLIP, KICK STARTER ARM .....	127	7
BOLT, SWINGARM PIVOT .....	132	11	CAP, CHANGE SWITCH CONTACT ...	77	12	CLIP, OIL DRAIN TUBE .....	113	1
BOLT, TIE .....	69	5	CAP, DUMMY .....	141	25	CLIP, PISTON PIN, 14MM .....	73	10
BOLT, TORX, 5X10 .....	102	18		142	21	CLIP, RESONATOR .....	120	21
BOOT B .....	100	10	CAP, LOCK NUT .....	84	1		122	14
	105	13	CAP, MASTER CYLINDER .....	87	11	CLIP, SLIDE .....	149	9
BOOT COMP. ....	87	8		89	6	CLIP, TUBE .....	112	18
	89	3		91	6		113	16
	91	3		103	10		120	1
	103	6	CAP, OIL FILTER ROTOR .....	70	7			18
BOOT, PIN BUSH .....	100	9	CAP, RR. FORK END .....	132	6			19
	105	12	CARBURETOR ASSY. ....	79	12		121	25
BOX, ABS MODULATOR .....	94	6	CASE ASSY., UNDER .....	83	5			26
BOX, BATTERY .....	138	8	CASE ASSY., UPPER .....	83	4		122	12
	139	10	CASE COMP., L. FR. BOTTOM .....	98	19			13
BRACKET SUB ASSY., RR. ....	105	7	CASE COMP., R. FR. BOTTOM .....	98	11		123	15
BRACKET SUB ASSY., R. FR. ....	100	14	CASE SUB ASSY., AIR CLEANER ...	120	13		124	11
BRACKET, L. HANDLE LEVER .....	85	14	CASE SUB COMP., AIR CLEANER ...	122	8			12
	86	14	CASE, DRIVE CHAIN .....	132	1		125	6
BRIDGE COMP., FORK TOP .....	95	9	CENTER, CLUTCH .....	65	3			7
BRUSH SET, TERMINAL .....	69	2	CHAIN, CAM .....	62	2		138	15
BRUSH, CARBON .....	69	3	CHAIN, DRIVE .....	132	3	CLIP, VALVE GUIDE .....	59	3
BULB, WEDGE BASE .....	137	1	CHAMBER SET, FLOAT .....	79	4		60	3
BULB, WINKER .....	136	7	CIRCLIP .....	88	21	CLUTCH ASSY., ONE WAY .....	66	2
BUSH, 17X20.5X8.0 .....	75	4		90	16	COCK ASSY., FUEL .....	112	1
BUSH, 20MM .....	75	6		91	16			21
BUSH, BALANCER DRIVEN GEAR ...	74	5		103	16	COIL ASSY., IGNITION .....	140	3
			CIRCLIP, EXTERNAL, 14MM .....	77	18		142	1
[ C ]			CIRCLIP, EXTERNAL, 15MM .....	128	25	COLLAR .....	142	10
CABLE COMP. A, THROTTLE .....	86	1	CIRCLIP, EXTERNAL, 18MM .....	78	11	COLLAR A, FR. FENDER .....	97	2
CABLE COMP. B, THROTTLE .....	86	2	CIRCLIP, EXTERNAL, 28MM .....	74	14	COLLAR, 10MM .....	58	4
CABLE COMP., CHOKE .....	85	2	CLAMPER A, FR. BRAKE HOSE .....	87	3	COLLAR, 20MM .....	75	16
CABLE COMP., CLUTCH .....	85	3		92	2	COLLAR, 6.5X11X3 .....	129	6
	86	3		93	2	COLLAR, AIR CLEANER .....	138	1
				94	2		139	2

# PART NAME INDEX

Part name	Page	Ref.	Part name	Page	Ref.	Part name	Page	Ref.
COLLAR, AIR CLEANER MOUNTING	118	1	COVER, L. HANDLE LEVER	85	16	DIAPHRAGM	91	8
COLLAR, CHAIN CASE SETTING	132	13		86	16		103	14
COLLAR, CUSHION RUBBER	123	10	COVER, L. SIDE	119	2	DISK, CLUTCH FRICTION	65	4
COLLAR, FAIRING SETTING	137	11	COVER, L. STEP	144	8			5
COLLAR, FR. AXLE DISTANCE	101	5	COVER, METER	83	6	DISK, FR. BRAKE	101	8
COLLAR, FR. COWL	148	2	COVER, MUFFLER TAIL	126	1	DISK, RR. BRAKE	110	13
COLLAR, FR. WHEEL SIDE	101	4	COVER, R. FORK	98	9	DOWEL PIN, 8X14	64	7
COLLAR, HORN SETTING	140	11	COVER, R. FR. FORK	99	30		67	7
	142	14	COVER, R. FUEL TANK	114	5		70	13
COLLAR, KICK SPRING	78	5	COVER, R. FUEL TANK INNER	115	15		71	12
COLLAR, LICENSE LIGHT	137	6	COVER, R. SIDE	119	1	DOWEL PIN, SPECIAL, 10X12	59	18
COLLAR, L. RR. WHEEL SIDE	108	4	COVER, R. STEP	144	6		60	19
	110	4	COVER, SARI GUARD	144	10		63	3
COLLAR, MUFFLER MOUNTING	126	9	COVER, SARI GUARD SIDE	135	8	DRIVER, SCREW	150	2
COLLAR, RADIATOR MOUNTING	92	8	COVER, SEAT LOCK CABLE	117	13	DRUM, GEARSHIFT	77	5
	93	8	COVER, SHROUD INNER	114	4	DUCT, AIR CLEANER	120	11
	94	8	COVER, UNDER COWL	149	6		122	5
COLLAR, RR. AXLE DISTANCE	110	7	COVER, UPPER	146	2	DUST SEAL, 20X26X4.5	132	15
COLLAR, RR. GRIP	117	19	COWL SET, L. RR.	118	5	DUST SEAL, 21X37X7	101	12
		20	COWL SET, R. RR.	118	4	DUST SEAL, 31X40.5X7.1	132	8
COLLAR, RR. WHEEL DISTANCE	108	6	COWL, CENTER UNDER	148	5	DUST SEAL, BRAKE CAM	106	6
COLLAR, R. RR. WHEEL SIDE	110	5			8	DUST SEAL, STEERING HEAD	96	5
COLLAR, STARTER REDUCTION	66	5	COWL, L. RR.	118	5			
COLLAR, SWINGARM PIVOT	132	7	COWL, L. UNDER	148	4	[ E ]		
CONNECTOR, MASTER CYLINDER	103	5	COWL, L. UNDER	149	4	ELEMENT COMP., AIR CLEANER	120	7
CONTACT ASSY., CHANGE SWITCH	71	6	COWL, RR. CENTER	118	2		122	1
COTTER, VALVE	61	11	COWL, R. UNDER	148	3	EMBLEM, L. WING	152	4
COUNTERSHAFT	75	2		149	3	EMBLEM, R. WING	152	3
COVER ASSY. B, FUEL TANK			CRANKCASE COMP., L.	71	2	END, STEERING HANDLE	85	9
CENTER	115	14	CRANKCASE COMP., R.	71	1		86	9
COVER ASSY., L. FUEL TANK	115	11	CRANKSHAFT COMP.	73	1			
COVER ASSY., R. CRANKCASE	64	1			11	[ F ]		
COVER ASSY., R. FUEL TANK	114	8	CUP COMP., OIL	103	8	FENDER A, FR.	97	4
	115	8	CUP SET, FUEL STRAINER	112	3	FENDER B, FR.	97	5
COVER A, FUEL TANK CENTER	115	12	CUSHION ASSY., RR.	134	1	FENDER B, RR.	135	3
COVER A, MUFFLER	126	6	CUSHION, C.D.I. UNIT	140	1	FENDER SET A, RR.	135	2
COVER A, STARTER MAGNETIC			CUSHION, FR. FUEL TANK	112	6	FENDER SET B, FR.	97	10
TERMINAL	139	5		113	9	FENDER, INNER	135	5
COVER B, MUFFLER	126	7	CUSHION, FUEL TANK	112	8	FILM, L. TANK COVER PROTECTOR	115	10
COVER COMP.	137	4		113	9	FILM, R. TANK COVER PROTECTOR	114	6
COVER COMP., CYLINDER HEAD	58	1	CUSHION, PGM-FI UNIT	142	20	FILM, TANK COVER PROTECTOR	114	7
		9	CYLINDER COMP.	63	1	FILTER SET	113	4
COVER COMP., L. RR.	67	2	CYLINDER SET, MASTER	88	15	FLANGE SUB ASSY., FINAL DRIVEN	108	5
COVER SUB ASSY., AIR CLEANER	120	16		89	10		110	6
	122	9		91	10	FLOAT SET	79	3
COVER, ABS MODULATOR BOX	94	15	CYLINDER SUB ASSY., FR. BRAKE			FLYWHEEL COMP.	68	1
COVER, BATTERY BOX	139	13	MASTER	87	9	FORK ASSY., L. FR.	98	18
COVER, CHANGE PEDAL	127	5		89	4	FORK ASSY., R. FR.	98	2
COVER, CYLINDER HEAD L. SIDE	59	5	CYLINDER SUB ASSY., RR. BRAKE	91	4	FORK, CENTER GEARSHIFT	77	2
	60	5	MASTER	103	7	FORK, GEARSHIFT	77	1
COVER, DRIVE CHAIN UNDER	132	2	C.D.I. UNIT	140	2	FUEL UNIT	112	11
COVER, FENDER	135	7					113	17
COVER, FILTER	113	7	[ D ]			FUSE, BLADE	138	17
COVER, HEADLIGHT RR.	82	2	DAMPER SET, WHEEL	108	1		139	22
COVER, L. CRANKCASE	67	1		110	1	FUSE, MINI	135	19
COVER, L. FORK	98	10	DIAPHRAGM	87	13		20	20
COVER, L. FR. FORK	99	31		89	8		140	18
COVER, L. FUEL TANK	115	9						
COVER, L. FUEL TANK INNER	115	16						



# PART NAME INDEX

Part name	Page	Ref.	Part name	Page	Ref.	Part name	Page	Ref.
FUSE, MINI .....	141	18	GROMMET, SIDE COVER .....	139	23	JOINT, BRAKE ROD .....	103	17
		19		148	9	JOINT, SPRING .....	98	5
		23	GUARD COMP., FR. BRAKE HOSE ...	99	26			
		24	GUARD, SARI .....	144	9	[ K ]		
		26	GUIDE, CAM CHAIN .....	62	7	KEY SET .....	95	2
	143	28	GUIDE, CLUTCH CABLE .....	144	3	KEY, BLANK .....	95	4
		29	GUIDE, CLUTCH OUTER .....	65	2	KEY, WOODRUFF, 4MM .....	73	7
[ G ]			GUIDE, DRAIN TUBE .....	144	4			8
GARNISH SET, L. FR. ....	146	4	GUIDE, HARNESS .....	144	2		74	15
GARNISH SET, R. FR. ....	146	3	GUIDE, RR. BRAKE HOSE .....	103	3	[ L ]		
GARNISH, L. FR. ....	146	4	GUIDE, SENSOR CORD .....	101	13	LABEL, ABS INFORMATION .....	151	5
	147	4	GUIDE, VALVE .....	59	2	LABEL, AIR CLEANER ELEMENT		
GARNISH, R. FR. ....	146	3		60	2	NOTICE	151	3
GARNISH, SHROUD CENTER .....	114	3	[ H ]			LABEL, CHAIN ADJUSTER .....	151	2
GASKET C, HEAD COVER .....	58	3	HARNES WIRE .....	140	7	LABEL, DRIVE .....	151	4
GASKET SET .....	79	1	HARNES, WIRE .....	140	7	LABEL, DRIVE & ABS INFORMATION	151	7
GASKET, BYSTARTER .....	79	21	HEADLIGHT ASSY. ....	82	1	LABEL, TIRE & DRIVE CHAIN .....	151	1
GASKET, CYLINDER .....	63	2	HEAD COMP., CYLINDER .....	59	1	LENS COMP., L. ....	136	4
GASKET, CYLINDER HEAD .....	59	4		60	1	LENS COMP., R. ....	136	2
	60	4	HOLDER SUB ASSY., AIR CLEANER .	120	15	LEVER COMP., CLUTCH .....	64	4
GASKET, EX. PIPE .....	126	2	HOLDER, HANDLE UPPER .....	95	6	LEVER COMP., L. HANDLE .....	85	15
GASKET, FLOAT CHAMBER .....	79	18	HOLDER, L. HANDLE LOWER .....	95	8		86	15
GASKET, HEAD COVER .....	58	2	HOLDER, L. STEP .....	129	11	LEVER, FUEL COCK .....	112	4
GASKET, L. COVER .....	67	3	HOLDER, MASTER CYLINDER .....	87	12	LEVER, R. STEERING HANDLE .....	88	16
GASKET, OIL FILTER CAP .....	70	10		89	7		89	11
GASKET, R. COVER .....	64	2	HOLDER, NEEDLE JET .....	91	7		91	11
GASKET, TENSIONER LIFTER .....	62	6	HOLDER, R. HANDLE LOWER .....	95	7	LIFTER ASSY., TENSIONER .....	62	5
GAUGE, OIL LEVEL .....	64	3	HOLDER, R. STEP .....	129	4	LIGHT ASSY., LICENSE .....	137	3
GEAR, BALANCER DRIVE .....	73	5	HORN ASSY. ....	140	10	LOCK ASSY., SEAT .....	116	8
GEAR, BALANCER DRIVEN .....	74	1		142	13	LOCK COMP., SEAT .....	117	12
GEAR, COUNTERSHAFT FIFTH .....	75	13	HOSE COMP. A, FR. BRAKE .....	89	2	[ M ]		
GEAR, COUNTERSHAFT FIRST .....	75	3		91	2	MAINSHAFT COMP. ....	75	1
GEAR, COUNTERSHAFT FOURTH .....	75	11	HOSE COMP. B, FR. BRAKE .....	92	1	MARK .....	155	24
GEAR, COUNTERSHAFT SECOND .....	75	7		94	1	MARK, ABS .....	153	14
GEAR, COUNTERSHAFT THIRD .....	75	9	HOSE COMP. D, FR. BRAKE .....	93	1	MARK, HET BS 4 .....	153	12
GEAR, MAINSHAFT FIFTH .....	75	12	HOSE COMP., FR. BRAKE .....	87	2	MARK, HONDA .....	152	1
GEAR, MAINSHAFT FOURTH .....	75	10	HOSE COMP., FUEL FEED .....	113	13			2
GEAR, MAINSHAFT SECOND .....	75	5	HOSE COMP., RR. BRAKE .....	103	4	METER ASSY., COMBINATION .....	83	1
GEAR, MAINSHAFT THIRD .....	75	8	HOSE, RR. MASTER CYLINDER .....	103	9	METER COMP., LCD .....	83	2
GEAR, OIL PUMP DRIVEN .....	70	3				MIRROR COMP., L. ....	84	3
GEAR, PRIMARY DRIVE .....	73	6	[ I ]			MIRROR COMP., R. ....	84	2
GEAR, STARTER DRIVEN .....	66	1	INDICATOR, RR. BRAKE .....	106	3	MODULATOR ASSY. ....	92	7
GEAR, STARTER REDUCTION .....	66	3	INJECTOR ASSY., FUEL .....	81	11		93	7
GRIP COMP., THROTTLE .....	85	10	INSULATOR, CARBURETOR .....	59	7		94	7
	86	10	INSULATOR, IN. PIPE .....	60	8	MOTOR ASSY., STARTER .....	69	1
GRIP, L. HANDLE .....	85	11				MUFFLER COMP., EX. ....	126	4
	86	11	[ J ]					
GRIP, L. RR. ....	116	2	JET, MAIN, #120 .....	80	27	[ N ]		
GRIP, R. RR. ....	116	1	JET, SLOW, #38 .....	79	20	NEEDLE SET, JET .....	79	2
GROMMET .....	118	3	JOINT A, 3WAY .....	120	2	NUT-WASHER, 6MM .....	69	8
	142	11	JOINT B, 3WAY .....	120	3	NUT, 6MM .....	69	9
GROMMET, AIR CLEANER CASE .....	112	12	JOINT COMP., INJECTOR .....	81	15		139	18
	113	18	JOINT, BRAKE ARM .....	127	13			
	144	5						
GROMMET, COMBINATION SWITCH ..	83	3						
GROMMET, SIDE COVER .....	115	17						
	118	7						

## PART NAME INDEX

Part name	Page	Ref.	Part name	Page	Ref.	Part name	Page	Ref.
NUT, BRAKE ROD ADJUSTING .....	127	15	[ O ]			PIN, PISTON .....	73	4
NUT, CLIP, 5MM .....	115	22	OIL SEAL, 12X18X4 .....	64	8	PIN, SHIFT RETURN SPRING .....	77	11
NUT, CLIP, 6MM .....	138	14	OIL SEAL, 14X22X5 .....	71	13	PIN, SPLIT, 1.6X15 .....	130	22
NUT, COWL SETTING, 5MM .....	147	7	OIL SEAL, 16X28X7 .....	64	9	PIN, SPLIT, 2.0X12 .....	128	23
NUT, EXHAUST PIPE, 8MM .....	126	10	OIL SEAL, 20X34X7 .....	76	30	PIN, SPLIT, 2.0X15 .....	104	25
NUT, FLANGE SPECIAL, 10MM .....	95	13	OIL SEAL, 28X42X7 .....	109	16		128	24
	109	12		111	21		130	22
	111	15						23
	131	6	O-RING .....	69	14	PIN, SPLIT, 3.0X30 .....	131	8
	134	4				PIN, SPRING, 2X10 .....	104	26
NUT, FLANGE SPECIAL, 12MM .....	101	10				PIPE COMP. B, FR. BRAKE .....	91	20
NUT, FLANGE SPECIAL, 6MM .....	107	8				PIPE COMP. C, FR. BRAKE .....	93	15
NUT, FLANGE, 10MM .....	126	11				PIPE COMP., AIR FEED .....	123	8
	136	10				PIPE COMP., FR. FORK .....	98	6
	144	14				PIPE COMP., IN. ....	59	9
NUT, FLANGE, 14MM .....	68	4	O-RING, 13.8X2.5 .....	67	8		60	7
	107	9	O-RING, 14.8X2.4 .....	103	22	PIPE, SEAT .....	98	14
	111	16	O-RING, 17.7X2.4 .....	71	8	PIPE, STEERING HANDLE .....	95	5
	132	12	O-RING, 18X3 .....	64	10	PISTON .....	73	3
NUT, FLANGE, 5MM .....	137	10	O-RING, 19.4X2.3 .....	71	14		100	5
NUT, FLANGE, 6MM .....	85	22	O-RING, 1.5X9.5 .....	62	10		105	3
	86	22	O-RING, 20.4X1.9 .....	81	5	PISTON COMP., VACUUM .....	79	14
	88	23	O-RING, 31.7X2.4 .....	67	9	PISTON SET, MASTER CYLINDER .....	103	12
	90	18	O-RING, 33.5X3.0 .....	59	19	PIVOT, CHANGE PEDAL .....	129	8
	91	18	O-RING, 39.5X5 .....	112	15	PIVOT, SHIFT DRUM STOPPER ARM .....	77	15
	107	8		113	21	PLATE A2, FIXING .....	75	15
	112	17	O-RING, 51X2 .....	109	17	PLATE COMP., FR. ENGINE HANGER .....	144	7
	113	22		111	22	PLATE COMP., GEARSHIFT DRUM .....		
	123	14	O-RING, 72.8X2.0 .....	59	6	STOPPER .....	77	6
NUT, FLANGE, 8MM .....	129	19		60	6	PLATE SET, VALVE .....	79	7
NUT, HEX., 10MM .....	84	5	O-RING, 7.8X1.9 .....	81	17	PLATE, AIR SUCTION VALVE .....		
NUT, HEX., 12MM .....	74	17	O-RING, 9.8X2.8 .....	123	13	SETTING .....	123	2
NUT, HEX., 6MM .....	132	16	O-RING, FILTER .....	113	6	PLATE, BEARING HOLDER .....	75	19
NUT, HEX., 8MM .....	104	24	O-RING, IN. PIPE .....	60	20	PLATE, BEARING PUSH .....	71	5
NUT, LOCK, 9MM .....	59	16	O-RING, THROTTLE BODY .....	81	3	PLATE, CLUTCH .....	65	6
	60	16	OUTER COMP., CLUTCH .....	65	1	PLATE, CLUTCH LIFTER .....	65	8
NUT, PLATE .....	129	2				PLATE, CLUTCH PRESSURE .....	65	7
NUT, RR. FENDER .....	135	14	[ P ]			PLATE, DIAPHRAGM .....	87	14
NUT, SPECIAL FLANGE, 14MM .....	65	12	PACKING, LENS .....	137	5		89	9
	70	11	PAD SET, FR. ....	100	2		91	9
	74	9	PAD SET, RR. ....	105	1	PLATE, PILLION STEP SIDE .....	103	15
NUT, SPECIAL, 5MM .....	139	14	PANEL COMP., RR. BRAKE .....	106	2		129	15
NUT, SPECIAL, 6MM .....	132	17	PEDAL COMP., RR. BRAKE .....	127	16		16	
NUT, SPRING, 5MM .....	82	6		128	32	PLATE, SARI GUARD .....	144	11
	83	8	PEDAL, GEAR CHANGE .....	127	2	PLATE, STEP LOWER .....	129	7
	119	5	PGM-FI UNIT .....	142	19	PLATE, TENSIONER SETTING .....	62	4
	135	15	PIECE, OIL LOCK .....	98	12	PLUG, BEARING PUSH .....	71	3
	137	12	PINION, KICK STARTER .....	78	1	PLUG, PIN .....	105	14
	145	21	PIN A, DOWEL, 7X12 .....	58	6	PLUG, SPARK .....	59	11
	147	10	PIN C, JOINT .....	128	27		60	9
	148	13	PIN D, JOINT .....	104	27	PROTECTOR .....	87	10
NUT, STEERING STEM .....	95	12	PIN, HANGER .....	100	11		89	5
NUT, TAPPET ADJUSTING .....	61	13		105	8	PULLER, MINI FUSE .....	91	5
NUT, U, 5MM .....	99	22	PIN, LOCK, 8MM .....	70	16	PUMP ASSY., OIL .....	70	2
	135	13	PIN, MAIN STEP BAR JOINT .....	129	3	PUMP UNIT, FUEL .....	113	2
NUT, U, 6MM .....	107	8	PIN, PILLION STEP .....	130	24			
			PIN, PILLION STEP BAR JOINT .....	130	24			



# PART NAME INDEX

Part name	Page	Ref.	Part name	Page	Ref.	Part name	Page	Ref.
[ R ]			RUBBER, LICENSE LIGHT .....	137	7	SCREW, PAN, 5X10 .....	125	8
RACE, STEERING BOTTOM CONE ...	96	4	RUBBER, MAIN STEP .....	129	9	SCREW, PAN, 5X11.5 .....	115	23
RACE, STEERING TOP BALL .....	96	2	RUBBER, MUFFLER MOUNTING .....	126	8	SCREW, PAN, 5X12 .....	79	25
RACE, STEERING TOP CONE .....	96	3	RUBBER, ONE WAY VALVE .....	124	8		115	18
RATCHET, STARTER DRIVE .....	78	2	RUBBER, PILLION STEP .....	129	12	SCREW, PAN, 5X14 .....	99	28
RECEIVER, CLUTCH CABLE .....	64	6	RUBBER, PROTECTOR MOUNTING .....	126	5		115	21
RECTIFIER ASSY., SILICON .....	140	6		149	1		119	4
	142	5	RUBBER, PROTECTOR PACKING .....	126	3		135	12
RECTIFIER COMP., REGULATE .....	140	5	RUBBER, SEAT SETTING .....	116	6	SCREW, PAN, 5X16 .....	148	10
	142	4			7	SCREW, PAN, 5X18 .....	147	8
REFLECTOR, FR. SIDE REFLEX ...	98	1	RUBBER, SHOCK .....	138	7	SCREW, PAN, 5X45 .....	147	9
REFLECTOR, REFLEX .....	135	1		139	9	SCREW, PAN, 6X10 .....	126	15
RELAY ASSY., POWER .....	142	17	RUBBER, SIDE COVER .....	118	6	SCREW, PAN, 6X12 .....	126	14
RELAY COMP., POWER .....	140	12	RUBBER, TAILLIGHT BRACKET .....	140	8	SCREW, PAN, 6X16 .....	149	8
RELAY COMP., WINKER .....	138	18		142	8	SCREW, PAN, 6X22 .....	97	7
	142	15	[ S ]			SCREW, PAN, 6X32 .....	148	12
RESISTOR COMP. ....	140	9	SCREEN SET, FUEL STRAINER .....	112	2	SCREW, PAN, 6X36 .....	99	32
	142	12	SCREEN, OIL FILTER .....	70	5	SCREW, PAN, 6X6 .....	62	8
RESONATOR .....	120	8	SCREW-WASHER, 4X10 .....	81	19	SCREW, SIDE STAND PIVOT .....	131	5
	122	2	SCREW-WASHER, 4X12 .....	88	19	SCREW, SPECIAL, 6X8 .....	136	11
RETAINER .....	105	5		90	14	SCREW, TAPPET ADJUSTING .....	61	12
RETAINER, KICK SPINDLE .....	78	4		91	14	SCREW, TAPPING, 3X14 .....	83	7
RETAINER, VALVE SPRING .....	61	9		91	14	SCREW, TAPPING, 4X12 .....	117	17
RING SET, PISTON .....	73	2		103	20		136	9
RING, BACK UP .....	98	8	SCREW-WASHER, 4X16 .....	81	20	SCREW, TAPPING, 4X16 .....	137	8
RING, FR. PULSER .....	102	15	SCREW-WASHER, 5X10 .....	115	24	SCREW, TAPPING, 4X8 .....	70	15
RING, OIL SEAL STOPPER .....	98	15	SCREW-WASHER, 5X12 .....	80	26	SCREW, TAPPING, 5X12 .....	82	7
RING, PISTON .....	98	13		81	6		94	17
RING, STOPPER .....	100	7	SCREW-WASHER, 5X20 .....	85	18		97	8
	105	11		86	18		104	23
ROD COMP., PUSH .....	103	13	SCREW-WASHER, 5X25 .....	85	19		115	25
ROD COMP., RR. BRAKE .....	127	12		86	19		135	16
ROD, CLUTCH LIFTER .....	65	9	SCREW-WASHER, 5X35 .....	85	20		139	20
ROD, TIE .....	127	4		86	20		144	13
ROLLER, 3X16.8 .....	70	18	SCREW-WASHER, 5X45 .....	85	21		147	12
ROLLER, 3X8.5 .....	77	19		86	21		148	14
ROTOR SET A, OIL PUMP .....	70	1	SCREW-WASHER, TORX .....	79	11	SCREW, TAPPING, 5X16 .....	82	8
ROTOR SET B, OIL PUMP .....	70	1	SCREW SET .....	81	1		83	9
ROTOR, OIL FILTER .....	70	6	SCREW SET A .....	79	5		135	17
RUBBER A, KICK STARTER .....	128	26	SCREW SET B .....	79	6	SCREW, TAPPING, 5X20 .....	120	23
RUBBER B, SEAT MOUNTING .....	92	9	SCREW, 4X7 .....	69	7		122	16
	93	9	SCREW, BLEEDER .....	100	3	SCREW, TAPPING, 5X25 .....	120	24
	94	9		105	9	SEAL A, AIR CLEANER .....	120	10
RUBBER B, SEAT SETTING .....	116	5	SCREW, FLAT, 4X12 .....	88	22	SEAL RING, INJECTOR .....	81	12
RUBBER B, STAND STOPPER .....	131	9		90	17	SEAL SET, FR. FORK .....	98	17
RUBBER, BATTERY BOX .....	138	11		91	17	SEAL SET, PISTON .....	100	1
	139	15	SCREW, FLAT, 4X50 .....	103	18		105	2
RUBBER, BODY COVER SETTING ...	112	7	SCREW, HINGE PATCH .....	82	4	SEAL, AIR CLEANER .....	120	9
	113	10		98	20		121	30
RUBBER, CANISTER .....	124	3		118	8	SEAL, AIR CLEANER COVER .....	122	3
RUBBER, CANISTER MOUNTING .....	125	1		133	19			4
RUBBER, CHANGE PEDAL .....	127	6		135	9	SEAL, DUST .....	99	24
RUBBER, CUSHION .....	123	3		144	18	SEAL, VALVE STEM .....	61	1
RUBBER, DAMPER .....	74	7		147	6	SEAL, YOKE .....	69	6
RUBBER, FR. FENDER MOUNTING ..	97	3	SCREW, OVAL, 5X12 .....	70	14	SEAT COMP., DOUBLE .....	116	4
	137	9	SCREW, PAN, 4X12 .....	79	24	SEAT SET .....	81	14
	148	1	SCREW, PAN, 4X35 .....	112	16	SEAT, VALVE SPRING .....	61	10
RUBBER, FUEL PUMP .....	113	5	SCREW, PAN, 4X8 .....	79	23	SENSOR ASSY., BANK ANGLE .....	142	9

# PART NAME INDEX

Part name	Page	Ref.	Part name	Page	Ref.	Part name	Page	Ref.
SENSOR ASSY., FR. SPEED .....	102	14	SPRING, VALVE INNER .....	61	8	SUB HARNESS, FR. ....	141	20
SENSOR ASSY., OIL TEMPERATURE	60	11	SPRING, VALVE OUTER .....	61	7		142	7
SENSOR ASSY., SPEED .....	71	7	SPROCKET COMP., FINAL DRIVEN ..	108	2	SUSPENSION, POWER RELAY .....	140	13
SENSOR ASSY., THROTTLE .....	79	22		110	2		142	18
SENSOR SET .....	81	2	SPROCKET, CAM .....	62	1	SUSPENSION, WINKER RELAY .....	138	19
SENSOR, FR. WHEEL SPEED .....	102	14	SPROCKET, DRIVE .....	75	14		142	16
SENSOR, OXYGEN .....	60	10	STAND COMP., MAIN .....	131	1	SWINGARM SUB ASSY., RR. ....	132	10
SET RING, 20MM .....	76	25	STATOR COMP. ....	68	2	SWITCH ASSY., CLUTCH .....	85	6
	78	10	STAY COMP. A, FR. BRAKE HOSE ..	87	5		86	6
SHAFT A, GEARSHIFT FORK .....	77	3		92	4	SWITCH ASSY., COMBINATION &		
SHAFT B, GEARSHIFT FORK .....	77	4		93	4	LOCK	95	3
SHAFT COMP., BALANCER .....	74	4		94	4	SWITCH ASSY., FR. STOP .....	87	1
SHAFT COMP., OIL PUMP .....	70	4	STAY COMP. B, FR. BRAKE HOSE ..	87	6		89	1
SHAFT, EX. ROCKER ARM .....	61	15		92	5		91	1
SHAFT, IN. ROCKER ARM .....	61	14		93	5	SWITCH ASSY., RR. STOP .....	127	10
SHAFT, MAIN STAND .....	131	3		94	5	SWITCH ASSY., STARTER .....	85	4
SHAFT, REDUCTION GEAR .....	66	4	STAY COMP., RR. HEADLIGHT			SWITCH ASSY., STARTER MAGNETIC	138	6
SHOE SET, BRAKE .....	106	1	COVER	82	3		139	8
SHROUD SET, L. GARNISH .....	114	2	STAY, ABS MODULATOR .....	92	6	SWITCH ASSY., STARTER & ENGINE		
SHROUD SET, R. GARNISH .....	114	1		93	6	STOP	86	4
SLEEVE, RR. WHEEL .....	108	7		145	23	SWITCH ASSY., WINKER .....	85	5
	110	8	STAY, CHOKE CABLE .....	67	4		86	5
SLIDER, CHAIN .....	132	9	STAY, FENDER .....	135	6			
SOLENOID .....	81	13	STAY, FR. FENDER .....	97	1	[ T ]		
SPACER, IGNITION COIL .....	142	2	STAY, FR. NUMBER PLATE .....	147	5	TAILLIGHT UNIT .....	137	2
SPACER, TUBE .....	98	4	STAY, FUEL PUMP .....	139	1	TANK ASSY., FUEL .....	113	8
SPANNER, 14X17 .....	150	5	STAY, FUSE BOX .....	139	11	TANK SUB ASSY., FUEL .....	112	5
SPINDLE COMP., GEARSHIFT .....	77	9	STAY, OIL CUP .....	103	1	TENSIONER ASSY., CAM CHAIN .....	62	3
SPINDLE, KICK STARTER .....	78	3	STAY, ONE WAY VALVE .....	59	10	THREAD COMP., STEERING HEAD		
SPONGE, FUEL TANK CENTER COVER			STAY, SEAT LOCK CABLE .....	116	11	TOP	96	7
RUBBER	115	13	STAY, UNDER COWL .....	148	6	THROUGH, OIL .....	70	8
SPRING A, SIDE STAND .....	131	10				TIRE, FR. ....	101	7
SPRING SET, BRAKE PEDAL .....	127	18		149	2	TIRE, RR. ....	108	10
SPRING, BEARING PUSH .....	71	4	STAY, WINKER .....	136	8		110	11
SPRING, BRAKE PEDAL .....	128	33	STAY, WIRE .....	79	15	TOP .....	79	13
SPRING, BRAKE ROD .....	127	14		81	7	TUBE ASSY. A, PURGE .....	125	3
SPRING, BRAKE SHOE .....	106	4	STEM SUB ASSY., STEERING .....	96	6	TUBE ASSY. B, PURGE .....	125	4
SPRING, BRUSH .....	69	4	STOPPER COMP., GEARSHIFT DRUM ..	77	7	TUBE ASSY., CHARGE .....	125	9
SPRING, CHANGE SWITCH CONTACT	77	13	STOPPER, KICK STARTER .....	129	1	TUBE ASSY., PUMP FEED .....	113	14
SPRING, CLUTCH .....	65	10	STRIPE A, L. SHROUD GARNISH .....	153	17	TUBE ASSY., PUMP RETURN .....	113	15
SPRING, CLUTCH LEVER .....	64	5	STRIPE A, R. SHROUD GARNISH .....	153	16	TUBE A, AIR VENT .....	120	5
SPRING, COMPRESSION COIL .....	79	9	STRIPE B, L. SHROUD GARNISH .....	154	19	TUBE, 4.5X140 .....	121	27
SPRING, DAMPER .....	74	6	STRIPE B, R. SHROUD GARNISH .....	153	18	TUBE, 5X35 .....	121	28
SPRING, DRUM STOPPER .....	77	8	STRIPE C, L. SHROUD GARNISH .....	154	21	TUBE, 8X680 .....	112	19
SPRING, FRICTION STARTER GEAR	78	6	STRIPE C, R. SHROUD GARNISH .....	154	20		113	23
SPRING, FR. BRAKE SHOE .....	106	4	STRIPE, L. FR. GARNISH .....	152	7	TUBE, 8X85 .....	122	17
SPRING, FR. FORK .....	98	3	STRIPE, L. FUEL TANK COVER .....	152	9	TUBE, 8X95 .....	121	29
SPRING, GEARSHIFT RETURN .....	77	10		153	9	TUBE, AIR .....	124	4
SPRING, KICK RETURN .....	78	7	STRIPE, L. RR. COWL .....	153	11	TUBE, AIR CLEANER CONNECTING ..	120	12
SPRING, KICK STARTER .....	127	9	STRIPE, R. FR. GARNISH .....	152	6		122	6
SPRING, LOCK KEY SETTING .....	116	3	STRIPE, R. FUEL TANK COVER .....	154	22	TUBE, AIR VENT .....	120	6
SPRING, MAIN STAND .....	131	2		154	22	TUBE, BATTERY BOX .....	138	10
SPRING, OIL THROUGH .....	70	9	STRIPE, R. RR. COWL .....	153	10	TUBE, CANISTER PURGE .....	124	5
SPRING, PAD .....	100	6	STRIPE, SHROUD GARNISH .....	152	5	TUBE, CARBURETOR PURGE .....	124	6
	105	4		152	5	TUBE, DRAIN .....	120	4
SPRING, REBOUND .....	98	7	STRIPE, WHEEL .....	153	15	TUBE, FUEL .....	112	10
SPRING, SEAT LOCK .....	116	9		153	13	TUBE, FUEL, 4.5X260 .....	124	9
SPRING, STOP SWITCH .....	127	11				TUBE, FUEL, 4.5X490 .....	124	10
SPRING, THRUST .....	74	8						



## PART NAME INDEX

Part name	Page	Ref.	Part name	Page	Ref.	Part name	Page	Ref.
TUBE, FUEL, 4.5X570 .....	125	10	WASHER, R. RR. AXLE .....	107	10			
TUBE, PB .....	123	7		109	13			
TUBE, REED VALVE .....	123	6		111	17			
TUBE, SUCTION .....	123	5	WASHER, SEALING, 10.2MM .....	60	18			
TUBE, VINYL, 11X15X40 .....	120	14	WASHER, SEALING, 6.2X12X1.2 ...	58	5			
	122	7	WASHER, SPECIAL, 12X23 .....	75	18			
[ V ]			WASHER, SPECIAL, 14MM .....	78	8			
VALVE ASSY., AIR SUCTION .....	123	4	WASHER, SPECIAL, 17MM .....	75	20			
VALVE COMP., FLOAT .....	79	17	WASHER, SPECIAL, 8MM .....	99	23			
VALVE SET, STARTER .....	79	8	WASHER, SPLINE, 20MM .....	76	21			
VALVE, EX. ....	61	6			22			
VALVE, IN. ....	61	5	WASHER, SPRING .....	69	11			
VALVE, ONE WAY .....	124	7			13			
VALVE, PURGE CONTROL SOLENOID	125	5	WASHER, STEERING STEM .....	95	14			
VALVE, RIM .....	101	2	WASHER, TANK SETTING .....	112	14			
	109	11		113	20			
	110	12	WASHER, THRUST, 17MM .....	76	24			
VISOR SET, FR. ....	146	1	WASHER, THRUST, 28.2X36X1.0 ...	74	12			
			WASHER, THRUST, 5MM .....	147	11			
[ W ]			WASHER, WAVE .....	100	12			
WASHER B, THRUST, 20MM .....	76	23	WEIGHT A, BALANCER .....	74	2			
WASHER, 10.3MM .....	95	15	WEIGHT B, BALANCER .....	74	3			
	99	29	WHEEL SUB ASSY., FR. ....	101	6			
WASHER, 12.2X24X2.6 .....	74	10		102	16			
WASHER, 14MM .....	77	17	WHEEL SUB ASSY., RR. ....	108	8			
WASHER, 14.1X29X2.8 .....	65	14		109	19			
	68	5		110	9			
	70	12	WINKER ASSY., L. ....	136	3			
	74	13	WINKER ASSY., L. RR. ....	136	6			
WASHER, 15.2X25 .....	127	1	WINKER ASSY., R. FR. ....	136	1			
WASHER, 15.5X22 .....	128	21	WINKER ASSY., R. RR. ....	136	5			
WASHER, 17X22 .....	131	7	WRENCH, HEX., 5MM .....	150	4			
WASHER, 25X20.2X1 .....	78	9	WRENCH, SPARK PLUG .....	150	3			
WASHER, 28.1X45X1.4 .....	74	11						
WASHER, 9.2X19X2.3 .....	59	17						
	60	17						
WASHER, AIR SUCTION VALVE .....	123	9						
WASHER, DRAIN PLUG, 12MM .....	71	15						
WASHER, DRUM STOPPER .....	77	16						
WASHER, OIL BOLT .....	88	20						
	90	15						
	91	15						
	92	11						
	93	11						
	94	11						
	103	21						
WASHER, PLAIN .....	69	10						
		12						
WASHER, PLAIN, 10MM .....	126	12						
WASHER, PLAIN, 17MM .....	65	13						
WASHER, PLAIN, 6MM .....	128	22						
	129	20						
WASHER, PLAIN, 7MM .....	127	20						
WASHER, PLAIN, 8MM .....	129	20						
	130	21						





---

**1**

**FOREWORD INDEX**

---

**2**

**ENGINE GROUP**

---

**3**

**FRAME GROUP**

---

**4**

**PART NUMBER INDEX**

---

**5**

**PART NAME INDEX**

---

**HONDA**  
The Power of Dreams



# PARTS CATALOGUE NEWS

Honda Motor Co., Ltd.  
Service Division Service Information Dept.

## PARTS CATALOGUE - CORRECTED

Printed in Japan

CODE NO.	18K0EJD2
PARTS CATALOGUE NEWS	CBF160FS CBF160FSJ CBF160FSK CBF160FSM
NEWS NO.	001

(ID-KD)

Block No.	Ref. No.	Note	Part No.	Description	Reqd. QTY			Serial No.	Parts catalogue code
					J	K	M		
E-4	2		14401-KRE-G01	CHAIN, CAM(98L) (DAIDO).....	1	1	-		
		A	14401-K70-601	CHAIN, CAM (DID SCZ-0404 SV-98LE)	-	-	1		
E-6	1		11300-K38-900	COVER ASSY., R. CRANKCASE.....	1	1	-		
		A	11300-K1K-D00	.....	-	-	1		
F-12	2		06455-KPP-N01	PAD SET, FR.....	1	1	-		
		A	06455-KPP-N02	.....	-	-	1		
F-19-40	24	D	91257-230-005	OIL SEAL, 28X42X7(NOK).....	-	-	1	-----	31D
F-21-1	23	E	95005-80680-20	*PART NO. DELETION					
		A	95005-80665-20	TUBE, FUEL, 8X655 (95005-80001-20M)	-	-	1		

NOTE A:PART NO. CHANGE D:NEWLY PROVIDED E:PART NO. DELETION K:REQUIRED NO. CORRECTION L:APPLICATION SERIAL NO. CORRECTION  
M:PART DESCRIPTION CORRECTION T:APPLICATION CORRECTION Z:REMARKS CHANGE

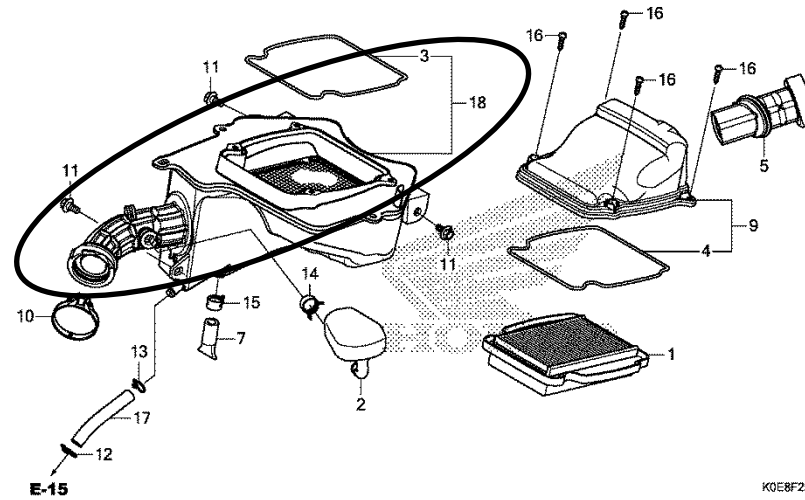
PARTS CATALOGUE NEWS

BOOKNo. :18KOEJD2

Block No.	Ref. No.	Note	Part No.	Description	Reqd. QTY J K M	Serial No.	Parts catalogue code
-----------	----------	------	----------	-------------	--------------------	------------	----------------------

F-25-1 AIR CLEANER (CBF160FSM)

Ref. No.	LON	(Relative ref. Number) Description	FRT
1		(3, 4)	
312105		ELEMENT, AIR CLEANER .....	0.1
18 3121A5		CASE, AIR CLEANER .....	1.9



KOEJF2501A

F-25-1	6	E	17222-K1K-D00	*PART NO. DELETION			
	8	E	17230-K1K-D00	*PART NO. DELETION			
	18	D	17225-K1K-D00	CASE SUB ASSY. , AIR CLEANER. .	-	-	1
F-26-1	10	E	95001-45570-40	*PART NO. DELETION			
	A		95001-45525-40	TUBE, FUEL, 4.5X525 (95001-45001-60M)	-	-	1
F-48	1		84510-KWP-900	AID KIT, FIRST	1	1	-
	A		84510-KWP-901	AID KIT, FIRST (STERIMED SURGICALS)	-	-	1
	D		84510-KWP-H00	AID KIT, FIRST (MONOCHEM GRAPHICS)	-	-	1

NOTE A:PART NO. CHANGE D:NEWLY PROVIDED E:PART NO. DELETION K:REQUIRED NO. CORRECTION L:APPLICATION SERIAL NO. CORRECTION  
M:PART DESCRIPTION CORRECTION T:APPLICATION CORRECTION Z:REMARKS CHANGE



# PARTS CATALOGUE NEWS

Honda Motor Co., Ltd.  
Service Division Service Information Dept.

## PARTS CATALOGUE - CORRECTED

Printed in Japan

CODE NO.	18K0EJD2
PARTS CATALOGUE NEWS	CBF160FS CBF160FSJ CBF160FSK CBF160FSM
NEWS NO.	002

(ID-KD)

Block No.	Ref. No.	Note	Part No.	Description	Reqd. QTY			Serial No.	Parts catalogue code
					J	K	M		
E-4	2	E	14401-K70-601	*PART NO. DELETION					
		A	14401-K43-901	CHAIN, CAM(98L) (BORG WARNER).	-	-	1		
E-8	4	E	22201-K1K-D01	*PART NO. DELETION					
		A	22201-K0V-B01	DISK, CLUTCH FRICTION(F. C. C.).	-	-	3		
E-23	1	E	16016-K0L-D01	*PART NO. DELETION					
		A	16016-K0J-N01	SCREW SET.....	-	-	1		
	2	E	16010-K1K-D01	*PART NO. DELETION					
		A	16060-K1K-D01	SENSOR SET.....	-	-	1		
	4	E	16079-K0L-D01	*PART NO. DELETION					
		A	16077-K0P-D01	O-RING.....	-	-	1		
	5	E	16077-K0L-D01	*PART NO. DELETION					
		A	16077-KVB-S51	O-RING, 1.9X20.4.....	-	-	1		
	11	E	16450-K1K-D00	*PART NO. DELETION					
		A	16450-K1K-D01	INJECTOR ASSY., FUEL.....	-	-	1		
	14	E	16485-K0L-D01	*PART NO. DELETION					

NOTE A:PART NO. CHANGE D:NEWLY PROVIDED E:PART NO. DELETION K:REQUIRED NO. CORRECTION L:APPLICATION SERIAL NO. CORRECTION  
M:PART DESCRIPTION CORRECTION T:APPLICATION CORRECTION Z:REMARKS CHANGE

PARTS CATALOGUE NEWS

BOOKNo. :18KOEJD2

Block No.	Ref. No.	Note	Part No.	Description	Reqd. QTY			Serial No.	Parts catalogue code
					J	K	M		
		A	16485-GGZ-J01	SEAT SET.....	-	-	1		
Block No.	Ref. No.	Note	Part No.	Description	Reqd. QTY			Serial No.	Parts catalogue code
					J	K	M		
F-2	4	E	37610-K0E-D51	*PART NO. DELETION					
		T	37610-K0E-D01	CASE ASSY., UPPER.....	1	1	1		
	5	E	37620-K0E-D51	*PART NO. DELETION					
		T	37620-K0E-D01	CASE ASSY., UNDER.....	1	1	1		
F-18	4	E	45133-KCC-900	*PART NO. DELETION					

NOTE A:PART NO. CHANGE D:NEWLY PROVIDED E:PART NO. DELETION K:REQUIRED NO. CORRECTION L:APPLICATION SERIAL NO. CORRECTION  
M:PART DESCRIPTION CORRECTION T:APPLICATION CORRECTION Z:REMARKS CHANGE



# PARTS CATALOGUE NEWS

Honda Motor Co., Ltd.  
Service Division Service Information Dept.

## PARTS CATALOGUE - CORRECTED

Printed in Japan

CODE NO.	18K0EJD2
PARTS CATALOGUE NEWS	CBF160FS CBF160FSJ CBF160FSK CBF160FSM
NEWS NO.	003

(ID-KD)

Block No.	Ref. No.	Note	Part No.	Description	Reqd. QTY	Serial No.	Parts catalogue code
F-18	4	E	45133-KCC-900	*PARTS NO. DELETION	CBF160FS J K M		

NOTE A:PART NO. CHANGE D:NEWLY PROVIDED E:PART NO. DELETION K:REQUIRED NO. CORRECTION L:APPLICATION SERIAL NO. CORRECTION  
M:PART DESCRIPTION CORRECTION T:APPLICATION CORRECTION Z:REMARKS CHANGE



# PARTS CATALOGUE NEWS

Honda Motor Co., Ltd.  
Service Division Service Information Dept.

## PARTS CATALOGUE - CORRECTED

Printed in Japan

CODE NO.	18K0EJD2
PARTS CATALOGUE NEWS	CBF160FS CBF160FSJ CBF160FSK CBF160FSM
NEWS NO.	004

(ID-KD)

Block No.	Ref. No.	Note	Part No.	Description	Reqd. QTY			Serial No.	Parts catalogue code
					J	K	M		
F-48	1	E	84510-KWP-900	*PARTS NO. DELETION					
		A	84510-KWP-901	AID KIT, FIRST (STERIMED SURGICALS)	1	1	1	-----	31D, ID, SL
		A	84510-KWP-H00	AID KIT, FIRST (MONOCHEM GRAPHICS)	1	1	1	-----	31D, ID

NOTE A:PART NO. CHANGE D:NEWLY PROVIDED E:PART NO. DELETION K:REQUIRED NO. CORRECTION L:APPLICATION SERIAL NO. CORRECTION  
M:PART DESCRIPTION CORRECTION T:APPLICATION CORRECTION Z:REMARKS CHANGE



July 10, 2020



# PARTS CATALOGUE NEWS

Honda Motor Co., Ltd.  
Service Division Service Information Dept.

## PARTS CATALOGUE - CORRECTED

Printed in Japan

CODE NO.	18K0EJD2
PARTS CATALOGUE NEWS	CBF160FS CBF160FSJ CBF160FSK CBF160FSM
NEWS NO.	005

(ID-KD)

PARTS CATALOGUE NEWS

BOOKNo. :18K0EJD2

CBF160FS (CBF160FSM).....31D

No.	MODEL		CBF160FSM							Applicable block No.	Ref. No.
	COLOR		Mat axis gray metallic NH-303M	Mat marvel blue metallic B-227M	Pearl igneous black NH-B05P	Mat marshal green metallic 2 GY-156M	Applicable model				
	CODE		NH303	B227	NHB05	GY156	Initial applicable model	Final applicable model			
	Name of colored parts	Basic part No.									
25	MIRROR COMP., L.	88220-K38-941	ZA	ZA	ZA	ZA			F-3	3	
26	MIRROR COMP., R.	88210-K38-941	ZA	ZA	ZA	ZA			F-3	2	
27	PIPE, STEERING HANDLE	53100-K0E-D00	ZA	ZA	ZA	ZA			F-7	5	
28	SHROUD SET, L. GARNISH	50250-K0E-D50	ZF	ZD	ZC	ZB			F-21-20	2	
29	SHROUD SET, R. GARNISH	50240-K0E-D50	ZF	ZD	ZC	ZB			F-21-20	1	
30	STRIPE A, L. SHROUD GARNISH	86504-K0E-D50	ZF	ZD	ZC	ZB			F-50	17	
31	STRIPE A, R. SHROUD GARNISH	86503-K0E-D50	ZF	ZD	ZC	ZB			F-50	16	
32	STRIPE B, L. SHROUD GARNISH	86506-K0E-D50	ZF	ZD	ZC	ZB			F-50	19	
33	STRIPE B, R. SHROUD GARNISH	86505-K0E-D50	ZF	ZD	ZC	ZB			F-50	18	
34	STRIPE C, L. SHROUD GARNISH	86508-K0E-D50	ZF	ZD	ZC	ZB			F-50	21	
35	STRIPE C, R. SHROUD GARNISH	86507-K0E-D50	ZF	ZD	ZC	ZB			F-50	20	
36	STRIPE, L. FUEL TANK COVER	86642-K0E-D50	ZF	ZD	ZC	ZB			F-50	23	
37	STRIPE, R. FUEL TANK COVER	86641-K0E-D50	ZF	ZD	ZC	ZB			F-50	22	
38	STRIPE, WHEEL	86421-K0E-D50	ZE	ZD	ZC	ZB			F-50	13	
39	VISOR SET, FR.	61300-K0E-D00	ZA	ZA	ZA	ZA			F-43	1	
40	WHEEL SUB ASSY., FR.	44650-K0E-D50	<b>ZK</b>	<b>ZJ</b>	<b>ZH</b>	<b>ZG</b>			F-14-40	16	
41	WHEEL SUB ASSY., RR.	42650-K0E-D70	<b>ZK</b>	<b>ZJ</b>	<b>ZH</b>	<b>ZG</b>			F-19-40	9	

NOTE A:PART NO. CHANGE D:NEWLY PROVIDED E:PART NO. DELETION K:REQUIRED NO. CORRECTION L:APPLICATION SERIAL NO. CORRECTION  
M:PART DESCRIPTION CORRECTION T:APPLICATION CORRECTION Z:REMARKS CHANGE

## CBF160FS (CBF160FSM).....3ID

No.	MODEL		CBF160FSM					
	COLOR		Pearl spartan red 2 R-392P	Mat marmalade orange metallic YR-371M	Applicable model		Applicable block No.	Ref. No.
	CODE		R392	YR371	Initial applicable model	Final applicable model		
	Name of colored parts	Basic part No.						
25	MIRROR COMP., L.	88220-K38-941	ZA	ZA			F-3	3
26	MIRROR COMP., R.	88210-K38-941	ZA	ZA			F-3	2
27	PIPE, STEERING HANDLE	53100-K0E-D00	ZA	ZA			F-7	5
28	SHROUD SET, L. GARNISH	50250-K0E-D50	ZE	ZA			F-21-20	2
29	SHROUD SET, R. GARNISH	50240-K0E-D50	ZE	ZA			F-21-20	1
30	STRIPE A, L. SHROUD GARNISH	86504-K0E-D50	ZE	ZA			F-50	17
31	STRIPE A, R. SHROUD GARNISH	86503-K0E-D50	ZE	ZA			F-50	16
32	STRIPE B, L. SHROUD GARNISH	86506-K0E-D50	ZE	ZA			F-50	19
33	STRIPE B, R. SHROUD GARNISH	86505-K0E-D50	ZE	ZA			F-50	18
34	STRIPE C, L. SHROUD GARNISH	86508-K0E-D50	ZE	ZA			F-50	21
35	STRIPE C, R. SHROUD GARNISH	86507-K0E-D50	ZE	ZA			F-50	20
36	STRIPE, L. FUEL TANK COVER	86642-K0E-D50	ZE	ZA			F-50	23
37	STRIPE, R. FUEL TANK COVER	86641-K0E-D50	ZE	ZA			F-50	22
38	STRIPE, WHEEL	86421-K0E-D50	ZE	ZA			F-50	13
39	VISOR SET, FR.	61300-K0E-D00	ZA	ZA			F-43	1
40	WHEEL SUB ASSY., FR.	44650-K0E-D50	<b>ZK</b>	<b>ZF</b>			F-14-40	16
41	WHEEL SUB ASSY., RR.	42650-K0E-D70	<b>ZK</b>	<b>ZF</b>			F-19-40	9

NOTE A:PART NO. CHANGE D:NEWLY PROVIDED E:PART NO. DELETION K:REQUIRED NO. CORRECTION L:APPLICATION SERIAL NO. CORRECTION  
M:PART DESCRIPTION CORRECTION T:APPLICATION CORRECTION Z:REMARKS CHANGE

PARTS CATALOGUE NEWS

BOOKNo. :18K0EJD2

CBF160FS (CBF160FSM).....ID

No.	MODEL		CBF160FSM							
	COLOR		Mat axis gray metallic NH-303M	Mat marvel blue metallic B-227M	Pearl igneous black NH-B05P	Mat marshal green metallic 2 GY-156M	Applicable model		Applicable block No.	Ref. No.
	CODE		NH303	B227	NHB05	GY156	Initial applicable model	Final applicable model		
	Name of colored parts	Basic part No.								
25	MIRROR COMP., L.	88220-K38-941	ZA	ZA	ZA	ZA			F-3	3
26	MIRROR COMP., R.	88210-K38-941	ZA	ZA	ZA	ZA			F-3	2
27	PANEL COMP., RR. BRAKE	43100-KYE-910	ZB	ZB	ZB	ZB			F-18	2
28	PIPE, STEERING HANDLE	53100-K0E-D00	ZA	ZA	ZA	ZA			F-7	5
29	SHROUD SET, L. GARNISH	50250-K0E-D50	ZF	ZD	ZC	ZB			F-21-20	2
30	SHROUD SET, R. GARNISH	50240-K0E-D50	ZF	ZD	ZC	ZB			F-21-20	1
31	STRIPE A, L. SHROUD GARNISH	86504-K0E-D50	ZF	ZD	ZC	ZB			F-50	17
32	STRIPE A, R. SHROUD GARNISH	86503-K0E-D50	ZF	ZD	ZC	ZB			F-50	16
33	STRIPE B, L. SHROUD GARNISH	86506-K0E-D50	ZF	ZD	ZC	ZB			F-50	19
34	STRIPE B, R. SHROUD GARNISH	86505-K0E-D50	ZF	ZD	ZC	ZB			F-50	18
35	STRIPE C, L. SHROUD GARNISH	86508-K0E-D50	ZF	ZD	ZC	ZB			F-50	21
36	STRIPE C, R. SHROUD GARNISH	86507-K0E-D50	ZF	ZD	ZC	ZB			F-50	20
37	STRIPE, L. FUEL TANK COVER	86642-K0E-D50	ZF	ZD	ZC	ZB			F-50	23
38	STRIPE, R. FUEL TANK COVER	86641-K0E-D50	ZF	ZD	ZC	ZB			F-50	22
39	STRIPE, WHEEL	86421-K0E-D50	ZE	ZD	ZC	ZB			F-50	13
40	VISOR SET, FR.	61300-K0E-D00	ZA	ZA	ZA	ZA			F-43	1
41	WHEEL SUB ASSY., FR.	44650-K0E-D50	<b>ZK</b>	<b>ZJ</b>	<b>ZH</b>	<b>ZG</b>			F-14-40	16
42	WHEEL SUB ASSY., RR.	42650-K0E-D50	<b>ZK</b>	<b>ZJ</b>	<b>ZH</b>	<b>ZG</b>			F-19-30	19

NOTE A:PART NO. CHANGE D:NEWLY PROVIDED E:PART NO. DELETION K:REQUIRED NO. CORRECTION L:APPLICATION SERIAL NO. CORRECTION  
M:PART DESCRIPTION CORRECTION T:APPLICATION CORRECTION Z:REMARKS CHANGE

## CBF160FS (CBF160FSM).....ID

No.	MODEL		CBF160FSM					
	COLOR		Pearl spartan red 2 R-392P	Mat marmalade orange metallic YR-371M	Applicable model		Applicable block No.	Ref. No.
	CODE		R392	YR371	Initial applicable model	Final applicable model		
	Name of colored parts	Basic part No.						
25	MIRROR COMP., L.	88220-K38-941	ZA	ZA			F-3	3
26	MIRROR COMP., R.	88210-K38-941	ZA	ZA			F-3	2
27	PANEL COMP., RR. BRAKE	43100-KYE-910	ZB	ZB			F-18	2
28	PIPE, STEERING HANDLE	53100-K0E-D00	ZA	ZA			F-7	5
29	SHROUD SET, L. GARNISH	50250-K0E-D50	ZE	ZA			F-21-20	2
30	SHROUD SET, R. GARNISH	50240-K0E-D50	ZE	ZA			F-21-20	1
31	STRIPE A, L. SHROUD GARNISH	86504-K0E-D50	ZE	ZA			F-50	17
32	STRIPE A, R. SHROUD GARNISH	86503-K0E-D50	ZE	ZA			F-50	16
33	STRIPE B, L. SHROUD GARNISH	86506-K0E-D50	ZE	ZA			F-50	19
34	STRIPE B, R. SHROUD GARNISH	86505-K0E-D50	ZE	ZA			F-50	18
35	STRIPE C, L. SHROUD GARNISH	86508-K0E-D50	ZE	ZA			F-50	21
36	STRIPE C, R. SHROUD GARNISH	86507-K0E-D50	ZE	ZA			F-50	20
37	STRIPE, L. FUEL TANK COVER	86642-K0E-D50	ZE	ZA			F-50	23
38	STRIPE, R. FUEL TANK COVER	86641-K0E-D50	ZE	ZA			F-50	22
39	STRIPE, WHEEL	86421-K0E-D50	ZE	ZA			F-50	13
40	VISOR SET, FR.	61300-K0E-D00	ZA	ZA			F-43	1
41	WHEEL SUB ASSY., FR.	44650-K0E-D50	<b>ZK</b>	<b>ZF</b>			F-14-40	16
42	WHEEL SUB ASSY., RR.	42650-K0E-D50	<b>ZK</b>	<b>ZF</b>			F-19-30	19

NOTE A:PART NO. CHANGE D:NEWLY PROVIDED E:PART NO. DELETION K:REQUIRED NO. CORRECTION L:APPLICATION SERIAL NO. CORRECTION  
M:PART DESCRIPTION CORRECTION T:APPLICATION CORRECTION Z:REMARKS CHANGE

PARTS CATALOGUE NEWS

BOOKNo. : 18KOEJD2

Block No.	Ref. No.	Note	Part No.	Description	Reqd. QTY			Serial No.	Parts catalogue code	
					J	K	M			
F-41	16	E	44650-K0E-D50ZA	*PARTS NO. DELETION						
		E	44650-K0E-D50ZB	*PARTS NO. DELETION						
		E	44650-K0E-D50ZC	*PARTS NO. DELETION						
		E	44650-K0E-D50ZD	*PARTS NO. DELETION						
		E	44650-K0E-D50ZE	*PARTS NO. DELETION						
		A	44650-K0E-D50ZF	WHEEL SUB ASSY., FR. (WL) *TYPE5*	-	-	1			
		A	44650-K0E-D50ZG	*TYPE4*	-	-	1			
		A	44650-K0E-D50ZH	*TYPE3*	-	-	1			
		A	44650-K0E-D50ZJ	*TYPE2*	-	-	1			
A	44650-K0E-D50ZK	*TYPE1*	-	-	1					
F-19-30	19	E	42650-K0E-D50ZA	*PARTS NO. DELETION						
		E	42650-K0E-D50ZB	*PARTS NO. DELETION						
		E	42650-K0E-D50ZC	*PARTS NO. DELETION						
		E	42650-K0E-D50ZD	*PARTS NO. DELETION						
		E	42650-K0E-D50ZE	*PARTS NO. DELETION						
		A	42650-K0E-D50ZF	WHEEL SUB ASSY., RR. (WL) *TYPE5*	-	-	1	-----	-----	ID
		A	42650-K0E-D50ZG	*TYPE4*	-	-	1	-----	-----	ID
		A	42650-K0E-D50ZH	*TYPE3*	-	-	1	-----	-----	ID
		A	42650-K0E-D50ZJ	*TYPE2*	-	-	1	-----	-----	ID
A	42650-K0E-D50ZK	*TYPE1*	-	-	1	-----	-----	ID		
F019-40	9	E	42650-K0E-D70ZA	*PARTS NO. DELETION						
		E	42650-K0E-D70ZB	*PARTS NO. DELETION						
		E	42650-K0E-D70ZC	*PARTS NO. DELETION						

NOTE A:PART NO. CHANGE D:NEWLY PROVIDED E:PART NO. DELETION K:REQUIRED NO. CORRECTION L:APPLICATION SERIAL NO. CORRECTION  
M:PART DESCRIPTION CORRECTION T:APPLICATION CORRECTION Z:REMARKS CHANGE

## PARTS CATALOGUE NEWS

BOOKNo. :18KOEJD2

Block No.	Ref. No.	Note	Part No.	Description	Reqd. QTY			Serial No.	Parts catalogue code
					J	K	M		
		E	42650-K0E-D70ZD	*PARTS NO. DELETION					
		E	42650-K0E-D70ZE	*PARTS NO. DELETION					
		A	42650-K0E-D70ZF	WHEEL SUB ASSY., RR. (WL) *TYPE5*	-	-	1	-----	31D
		A	42650-K0E-D70ZG	*TYPE4*	-	-	1	-----	31D
		A	42650-K0E-D70ZH	*TYPE3*	-	-	1	-----	31D
		A	42650-K0E-D70ZJ	*TYPE2*	-	-	1	-----	31D
		A	42650-K0E-D70ZK	*TYPE1*	-	-	1	-----	31D

NOTE A:PART NO. CHANGE D:NEWLY PROVIDED E:PART NO. DELETION K:REQUIRED NO. CORRECTION L:APPLICATION SERIAL NO. CORRECTION  
M:PART DESCRIPTION CORRECTION T:APPLICATION CORRECTION Z:REMARKS CHANGE



# PARTS CATALOGUE NEWS

Honda Motor Co., Ltd.  
Service Division Service Information Dept.

## PARTS CATALOGUE - CORRECTED

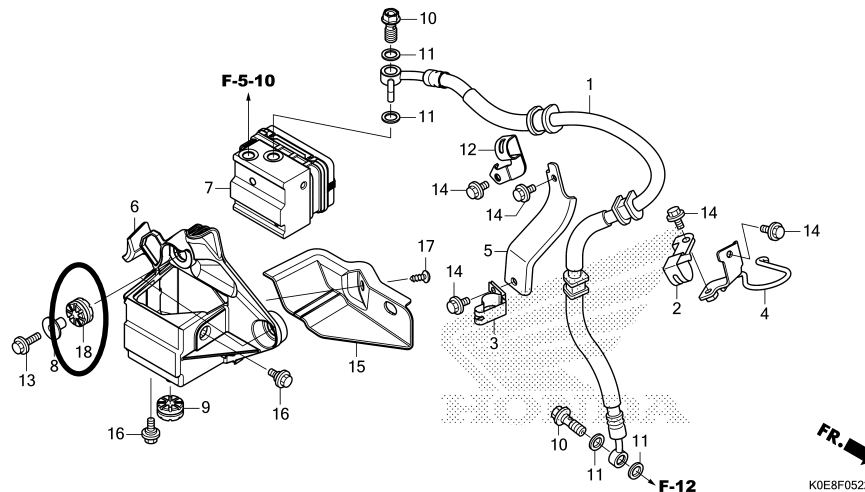
Printed in Japan

CODE NO.	18K0EJD2
PARTS CATALOGUE NEWS	CBF160FS CBF160FS J/K/M
NEWS NO.	006

(ID-KD)

Block No.	Ref. No.	Note	Part No.	Description	Reqd. QTY	Serial No.	Parts catalogue code
					CBF160FS J K M		

F-5-22 ABS MODULATOR (CBF160FSM)



F-5-22	9	K	77208-KW7-900	RUBBER B, SEAT MOUNTING.....	- - 1		
	14	E	96001-06012-00	*PART NO. DELETION			

NOTE A:PART NO. CHANGE D:NEWLY PROVIDED E:PART NO. DELETION K:REQUIRED NO. CORRECTION L:APPLICATION SERIAL NO. CORRECTION  
M:PART DESCRIPTION CORRECTION T:APPLICATION CORRECTION Z:REMARKS CHANGE



PARTS CATALOGUE NEWS

BOOKNo. :18KOEJD2

Block No.	Ref. No.	Note	Part No.	Description	Reqd. QTY			Serial No.	Parts catalogue code
					J	K	M		
		A	96001-06012-07	BOLT, FLANGE, 6X12.....	-	-	5		
	18	D	33705-KW7-900	RUBBER A, TAILLIGHT MOUNTING..	-	-	2		

NOTE A:PART NO. CHANGE D:NEWLY PROVIDED E:PART NO. DELETION K:REQUIRED NO. CORRECTION L:APPLICATION SERIAL NO. CORRECTION  
M:PART DESCRIPTION CORRECTION T:APPLICATION CORRECTION Z:REMARKS CHANGE

September 08, 2020



# PARTS CATALOGUE NEWS

Honda Motor Co., Ltd.  
Service Division Service Information Dept.

## PARTS CATALOGUE - CORRECTED

Printed in Japan

CODE NO.	18K0EJD2
PARTS CATALOGUE NEWS	CBF160FS CBF160FS J/K/M
NEWS NO.	007

(ID-KD)

## Correction of issued News #005

NOTE A:PART NO. CHANGE D:NEWLY PROVIDED E:PART NO. DELETION K:REQUIRED NO. CORRECTION L:APPLICATION SERIAL NO. CORRECTION  
M:PART DESCRIPTION CORRECTION T:APPLICATION CORRECTION Z:REMARKS CHANGE

PARTS CATALOGUE NEWS

BOOKNo. : 18KOEJD2

Block No.	Ref. No.	Note	Part No.	Description	Reqd. QTY			Serial No.	Parts catalogue code	
					J	K	M			
F-14-40	16	E	44650-K0E-D50ZA	*PARTS NO. DELETION						
		E	44650-K0E-D50ZB	*PARTS NO. DELETION						
		E	44650-K0E-D50ZC	*PARTS NO. DELETION						
		E	44650-K0E-D50ZD	*PARTS NO. DELETION						
		E	44650-K0E-D50ZE	*PARTS NO. DELETION						
		A	44650-K0E-D50ZF	WHEEL SUB ASSY., FR. (WL) *TYPE5*	-	-	1			
		A	44650-K0E-D50ZG	*TYPE4*	-	-	1			
		A	44650-K0E-D50ZH	*TYPE3*	-	-	1			
F-19-40	9	E	42650-K0E-D70ZA	*PARTS NO. DELETION						
		E	42650-K0E-D70ZB	*PARTS NO. DELETION						
		E	42650-K0E-D70ZC	*PARTS NO. DELETION						
		E	42650-K0E-D70ZD	*PARTS NO. DELETION						
		E	42650-K0E-D70ZE	*PARTS NO. DELETION						
		A	42650-K0E-D70ZF	WHEEL SUB ASSY., RR. (WL) *TYPE5*	-	-	1	-----	-----	3ID
		A	42650-K0E-D70ZG	*TYPE4*	-	-	1	-----	-----	3ID
		A	42650-K0E-D70ZH	*TYPE3*	-	-	1	-----	-----	3ID
A	42650-K0E-D70ZJ	*TYPE2*	-	-	1	-----	-----	3ID		
A	42650-K0E-D70ZK	*TYPE1*	-	-	1	-----	-----	3ID		

NOTE A:PART NO. CHANGE D:NEWLY PROVIDED E:PART NO. DELETION K:REQUIRED NO. CORRECTION L:APPLICATION SERIAL NO. CORRECTION  
M:PART DESCRIPTION CORRECTION T:APPLICATION CORRECTION Z:REMARKS CHANGE



# PARTS CATALOGUE NEWS

Honda Motor Co., Ltd.  
Service Division Service Information Dept.

## PARTS CATALOGUE - CORRECTED

Printed in Japan

CODE NO.	18K0EJD2
PARTS CATALOGUE NEWS	CBF160FS CBF160FS J/K/M
NEWS NO.	008

(ID-KD)

Block No.	Ref. No.	Note	Part No.	Description	Reqd. QTY			Serial No.	Parts catalogue code
					J	K	M		
F-38-1	19	E	38770-K0E-D51	*PARTS NO. DELETION					
		A	38770-K0E-D52	PGM-FI UNIT.....	-	-	1		

NOTE A:PART NO. CHANGE D:NEWLY PROVIDED E:PART NO. DELETION K:REQUIRED NO. CORRECTION L:APPLICATION SERIAL NO. CORRECTION  
M:PART DESCRIPTION CORRECTION T:APPLICATION CORRECTION Z:REMARKS CHANGE



# PARTS CATALOGUE NEWS

Honda Motor Co., Ltd.  
Service Division Service Information Dept.

## PARTS CATALOGUE - CORRECTED

Printed in Japan

CODE NO.	18K0EJD2
PARTS CATALOGUE NEWS	CBF160FS CBF160FS J/K/M
NEWS NO.	009

(ID-KD)

Block No.	Ref. No.	Note	Part No.	Description	Reqd. QTY			Serial No.	Parts catalogue code
					J	K	M		
F-21	10	E	17681-K0E-D00	*PART NO. DELETION					
		A	17681-K0E-D01	TUBE, FUEL.....	1	1	-		
	18	E	95002-02100	*PART NO. DELETION					
		A	90653-KSP-D00	CLIP, TUBE (B10).....	2	2	-		
F-25-20	11	E	90646-657-000	*PART NO. DELETION					
		A	90646-KYJ-DA0	CLIP, AIR HOSE, 16MM.....	1	1	-		
F-26	12	E	95002-02120	*PART NO. DELETION					
		A	90601-KWP-F00	CLIP, TUBE (B12).....	2	2	-		
F-31	10	E	95014-72102	*PART NO. DELETION					
		A	50531-K67-A00	SPRING A, SIDE STAND.....	1	1	1	-----	3BA, 31D, BA, ID, SL

NOTE A:PART NO. CHANGE D:NEWLY PROVIDED E:PART NO. DELETION K:REQUIRED NO. CORRECTION L:APPLICATION SERIAL NO. CORRECTION  
M:PART DESCRIPTION CORRECTION T:APPLICATION CORRECTION Z:REMARKS CHANGE

April 07, 2021



# PARTS CATALOGUE NEWS

Honda Motor Co., Ltd.

PARTS CATALOGUE - CORRECTED

CODE NO.	18K0EJD2
PARTS CATALOGUE NEWS	CBF160FS CBF160FS J / K / M
NEWS NO.	011

NOTE A:PART NO. CHANGE D:NEWLY PROVIDED E:PART NO. DELETION K:REQUIRED NO. CORRECTION L:APPLICATION SERIAL NO. CORRECTION  
M:PART DESCRIPTION CORRECTION T:APPLICATION CORRECTION Z:REMARKS CHANGE

PARTS CATALOGUE NEWS

BOOKNo. : 18K0EJD2

CBF160FS (CBF160FSM).....3CL,3PE

No.	MODEL		CBF160FSM							Ref. No.
	COLOR		Mat axis gray metallic NH-303M	Mat marvel blue metallic B-227M	Pearl igneous black NH-B05P	Mat marshal green metallic 2 GY-156M	Applicable model		Applicable block No.	
	CODE		NH303	B227	NHB05	GY156	Initial applicable model	Final applicable model		
	Name of colored parts	Basic part No.								
25	MIRROR COMP., L.	88220-K38-941	ZA	ZA	ZA	ZA			F-3	3
<b>25</b>	<b>MIRROR COMP., L.</b>	<b>88220-K74-H11</b>	<b>ZE</b>	<b>ZE</b>	<b>ZE</b>	<b>ZE</b>			<b>F-3</b>	<b>3</b>
26	MIRROR COMP., R.	88210-K38-941	ZA	ZA	ZA	ZA			F-3	2
<b>26</b>	<b>MIRROR COMP., R.</b>	<b>88210-K74-H11</b>	<b>ZE</b>	<b>ZE</b>	<b>ZE</b>	<b>ZE</b>			<b>F-3</b>	<b>2</b>
27	PIPE, STEERING HANDLE	53100-K0E-D00	ZA	ZA	ZA	ZA			F-7	5
28	SHROUD SET, L. GARNISH	50250-K0E-D50	ZD	ZB	ZF	ZC			F-21-20	2
29	SHROUD SET, R. GARNISH	50240-K0E-D50	ZD	ZB	ZF	ZC			F-21-20	1
30	STRIPE A, L. SHROUD GARNISH	86504-K0E-D50	ZD	ZB	ZF	ZC			F-50	17
31	STRIPE A, R. SHROUD GARNISH	86503-K0E-D50	ZD	ZB	ZF	ZC			F-50	16
32	STRIPE B, L. SHROUD GARNISH	86506-K0E-D50	ZD	ZB	ZF	ZC			F-50	19
33	STRIPE B, R. SHROUD GARNISH	86505-K0E-D50	ZD	ZB	ZF	ZC			F-50	18
34	STRIPE C, L. SHROUD GARNISH	86508-K0E-D50	ZD	ZB	ZF	ZC			F-50	21
35	STRIPE C, R. SHROUD GARNISH	86507-K0E-D50	ZD	ZB	ZF	ZC			F-50	20
36	STRIPE, L. FUEL TANK COVER	86642-K0E-D50	ZD	ZB	ZF	ZC			F-50	23
37	STRIPE, R. FUEL TANK COVER	86641-K0E-D50	ZD	ZB	ZF	ZC			F-50	22
38	STRIPE, WHEEL	86421-K0E-D50	ZD	ZB	ZE	ZC			F-50	13
39	VISOR SET, FR.	61300-K0E-D00	ZA	ZA	ZA	ZA			F-43	1
40	WHEEL SUB ASSY., FR.	44650-K0E-D50	ZJ	ZG	ZK	ZH			F-14-40	16
41	WHEEL SUB ASSY., RR.	42650-K0E-D70	ZJ	ZG	ZK	ZH			F-19-40	9

NOTE A:PART NO. CHANGE D:NEWLY PROVIDED E:PART NO. DELETION K:REQUIRED NO. CORRECTION L:APPLICATION SERIAL NO. CORRECTION  
M:PART DESCRIPTION CORRECTION T:APPLICATION CORRECTION Z:REMARKS CHANGE

## PARTS CATALOGUE NEWS

BOOKNo. : 18K0EJD2

## CBF160FS (CBF160FSM).....3CL,3PE

No.	MODEL		CBF160FSM					Ref. No.
	COLOR		Pearl spartan red 2	Mat marmalade orange metallic	Applicable model		Applicable block No.	
	CODE		R-392P	YR-371M	Initial applicable model	Final applicable model		
	Name of colored parts	Basic part No.	R392	YR371				
25	MIRROR COMP., L.	88220-K38-941	ZA	ZA			F-3	3
<b>25</b>	<b>MIRROR COMP., L.</b>	<b>88220-K74-H11</b>	<b>ZE</b>	<b>ZE</b>			<b>F-3</b>	<b>3</b>
26	MIRROR COMP., R.	88210-K38-941	ZA	ZA			F-3	2
<b>26</b>	<b>MIRROR COMP., R.</b>	<b>88210-K74-H11</b>	<b>ZE</b>	<b>ZE</b>			<b>F-3</b>	<b>2</b>
27	PIPE, STEERING HANDLE	53100-K0E-D00	ZA	ZA			F-7	5
28	SHROUD SET, L. GARNISH	50250-K0E-D50	ZE	ZA			F-21-20	2
29	SHROUD SET, R. GARNISH	50240-K0E-D50	ZE	ZA			F-21-20	1
30	STRIPE A, L. SHROUD GARNISH	86504-K0E-D50	ZE	ZA			F-50	17
31	STRIPE A, R. SHROUD GARNISH	86503-K0E-D50	ZE	ZA			F-50	16
32	STRIPE B, L. SHROUD GARNISH	86506-K0E-D50	ZE	ZA			F-50	19
33	STRIPE B, R. SHROUD GARNISH	86505-K0E-D50	ZE	ZA			F-50	18
34	STRIPE C, L. SHROUD GARNISH	86508-K0E-D50	ZE	ZA			F-50	21
35	STRIPE C, R. SHROUD GARNISH	86507-K0E-D50	ZE	ZA			F-50	20
36	STRIPE, L. FUEL TANK COVER	86642-K0E-D50	ZE	ZA			F-50	23
37	STRIPE, R. FUEL TANK COVER	86641-K0E-D50	ZE	ZA			F-50	22
38	STRIPE, WHEEL	86421-K0E-D50	ZE	ZA			F-50	13
39	VISOR SET, FR.	61300-K0E-D00	ZA	ZA			F-43	1
40	WHEEL SUB ASSY., FR.	44650-K0E-D50	ZK	ZF			F-14-40	16
41	WHEEL SUB ASSY., RR.	42650-K0E-D70	ZK	ZF			F-19-40	9

NOTE A:PART NO. CHANGE D:NEWLY PROVIDED E:PART NO. DELETION K:REQUIRED NO. CORRECTION L:APPLICATION SERIAL NO. CORRECTION  
M:PART DESCRIPTION CORRECTION T:APPLICATION CORRECTION Z:REMARKS CHANGE



PARTS CATALOGUE NEWS

BOOKNo. : 18K0EJD2

CBF160FS (CBF160FSM).....CL,PE

No.	MODEL		CBF160FSM							Applicable block No.	Ref. No.
	COLOR		Mat axis gray metallic	Mat marvel blue metallic	Pearl igneous black	Mat marshal green metallic 2	Applicable model				
	CODE		NH-303M	B-227M	NH-B05P	GY-156M	Initial applicable model	Final applicable model			
	Name of colored parts	Basic part No.	NH303	B227	NHB05	GY156					
25	MIRROR COMP., L.	88220-K38-941	ZA	ZA	ZA	ZA			F-3	3	
<b>25</b>	<b>MIRROR COMP., L.</b>	<b>88220-K74-H11</b>	<b>ZE</b>	<b>ZE</b>	<b>ZE</b>	<b>ZE</b>			<b>F-3</b>	<b>3</b>	
26	MIRROR COMP., R.	88210-K38-941	ZA	ZA	ZA	ZA			F-3	2	
<b>26</b>	<b>MIRROR COMP., R.</b>	<b>88210-K74-H11</b>	<b>ZE</b>	<b>ZE</b>	<b>ZE</b>	<b>ZE</b>			<b>F-3</b>	<b>2</b>	
27	PANEL COMP., RR. BRAKE	43100-KYE-910	ZB	ZB	ZB	ZB			F-18	2	
28	PIPE, STEERING HANDLE	53100-K0E-D00	ZA	ZA	ZA	ZA			F-7	5	
29	SHROUD SET, L. GARNISH	50250-K0E-D50	ZF	ZD	ZC	ZB			F-21-20	2	
30	SHROUD SET, R. GARNISH	50240-K0E-D50	ZF	ZD	ZC	ZB			F-21-20	1	
31	STRIPE A, L. SHROUD GARNISH	86504-K0E-D50	ZF	ZD	ZC	ZB			F-50	17	
32	STRIPE A, R. SHROUD GARNISH	86503-K0E-D50	ZF	ZD	ZC	ZB			F-50	16	
33	STRIPE B, L. SHROUD GARNISH	86506-K0E-D50	ZF	ZD	ZC	ZB			F-50	19	
34	STRIPE B, R. SHROUD GARNISH	86505-K0E-D50	ZF	ZD	ZC	ZB			F-50	18	
35	STRIPE C, L. SHROUD GARNISH	86508-K0E-D50	ZF	ZD	ZC	ZB			F-50	21	
36	STRIPE C, R. SHROUD GARNISH	86507-K0E-D50	ZF	ZD	ZC	ZB			F-50	20	
37	STRIPE, L. FUEL TANK COVER	86642-K0E-D50	ZF	ZD	ZC	ZB			F-50	23	
38	STRIPE, R. FUEL TANK COVER	86641-K0E-D50	ZF	ZD	ZC	ZB			F-50	22	
39	STRIPE, WHEEL	86421-K0E-D50	ZE	ZD	ZC	ZB			F-50	13	
40	VISOR SET, FR.	61300-K0E-D00	ZA	ZA	ZA	ZA			F-43	1	
41	WHEEL SUB ASSY., FR.	44650-K0E-D50	ZK	ZJ	ZH	ZG			F-14-40	16	
42	WHEEL SUB ASSY., RR.	42650-K0E-D50	ZK	ZJ	ZH	ZG			F-19-30	19	

NOTE A:PART NO. CHANGE D:NEWLY PROVIDED E:PART NO. DELETION K:REQUIRED NO. CORRECTION L:APPLICATION SERIAL NO. CORRECTION  
M:PART DESCRIPTION CORRECTION T:APPLICATION CORRECTION Z:REMARKS CHANGE

## PARTS CATALOGUE NEWS

BOOKNo. : 18K0EJD2

## CBF160FS (CBF160FSM).....CL,PE

No.	MODEL		CBF160FSM					
	COLOR		Pearl spartan red 2 R-392P	Mat marmalade orange metallic YR-371M	Applicable model		Applicable block No.	Ref. No.
	CODE		R392	YR371	Initial applicable model	Final applicable model		
	Name of colored parts	Basic part No.						
25	MIRROR COMP., L.	88220-K38-941	ZA	ZA			F-3	3
<b>25</b>	<b>MIRROR COMP., L.</b>	<b>88220-K74-H11</b>	<b>ZE</b>	<b>ZE</b>			<b>F-3</b>	<b>3</b>
26	MIRROR COMP., R.	88210-K38-941	ZA	ZA			F-3	2
<b>26</b>	<b>MIRROR COMP., R.</b>	<b>88210-K74-H11</b>	<b>ZE</b>	<b>ZE</b>			<b>F-3</b>	<b>2</b>
27	PANEL COMP., RR. BRAKE	43100-KYE-910	ZB	ZB			F-18	2
28	PIPE, STEERING HANDLE	53100-K0E-D00	ZA	ZA			F-7	5
29	SHROUD SET, L. GARNISH	50250-K0E-D50	ZE	ZA			F-21-20	2
30	SHROUD SET, R. GARNISH	50240-K0E-D50	ZE	ZA			F-21-20	1
31	STRIPE A, L. SHROUD GARNISH	86504-K0E-D50	ZE	ZA			F-50	17
32	STRIPE A, R. SHROUD GARNISH	86503-K0E-D50	ZE	ZA			F-50	16
33	STRIPE B, L. SHROUD GARNISH	86506-K0E-D50	ZE	ZA			F-50	19
34	STRIPE B, R. SHROUD GARNISH	86505-K0E-D50	ZE	ZA			F-50	18
35	STRIPE C, L. SHROUD GARNISH	86508-K0E-D50	ZE	ZA			F-50	21
36	STRIPE C, R. SHROUD GARNISH	86507-K0E-D50	ZE	ZA			F-50	20
37	STRIPE, L. FUEL TANK COVER	86642-K0E-D50	ZE	ZA			F-50	23
38	STRIPE, R. FUEL TANK COVER	86641-K0E-D50	ZE	ZA			F-50	22
39	STRIPE, WHEEL	86421-K0E-D50	ZE	ZA			F-50	13
40	VISOR SET, FR.	61300-K0E-D00	ZA	ZA			F-43	1
41	WHEEL SUB ASSY., FR.	44650-K0E-D50	ZK	ZF			F-14-40	16
42	WHEEL SUB ASSY., RR.	42650-K0E-D50	ZK	ZF			F-19-30	19

NOTE A:PART NO. CHANGE D:NEWLY PROVIDED E:PART NO. DELETION K:REQUIRED NO. CORRECTION L:APPLICATION SERIAL NO. CORRECTION  
M:PART DESCRIPTION CORRECTION T:APPLICATION CORRECTION Z:REMARKS CHANGE

PARTS CATALOGUE NEWS

BOOKNo. :18KOEJD2

Block No.	Ref. No.	Note	Part No.	Description	Reqd. QTY			Serial No.	Parts catalogue code
					J	K	M		
F-3	2	T	88210-K38-941ZA	MIRROR COMP., R. *NH1*.....BLACK	1	1	1	-----	3BA, 3ID, 3PE, BA, ID, PE, SL
		A	88210-K74-H11ZE	*NH1*.....BLACK	-	-	1	-----	3CL, CL
	3	T	88220-K38-941ZA	MIRROR COMP., L. *NH1*.....BLACK	1	1	1	-----	3BA, 3ID, 3PE, BA, ID, PE, SL
		A	88220-K74-H11ZE	*NH1*.....BLACK	-	-	1	-----	3CL, CL

NOTE A:PART NO. CHANGE D:NEWLY PROVIDED E:PART NO. DELETION K:REQUIRED NO. CORRECTION L:APPLICATION SERIAL NO. CORRECTION  
M:PART DESCRIPTION CORRECTION T:APPLICATION CORRECTION Z:REMARKS CHANGE



# PARTS CATALOGUE NEWS

Honda Motor Co., Ltd.

CODE NO.	18K0EJD2
PARTS CATALOGUE NEWS	CBF160FS CBF160FS J / K / M
NEWS NO.	012

## NEW MODEL CBF160FSM-2BA AND BA TYPES COMPONENT PARTS-MARKETED

This Parts News CBF160FSM-2BA and BA types parts exclusively and respectively are based CBF160FSk-3BA and BA types listed on the CBF160FS Parts Catalogue.

All other parts not listed herein are the same as CBF160FSk-3BA and BA types parts.

Model	Area code	Type	Applicable engine serial No.	Applicable frame serial No.	Applicable carburetor identification No.
CBF160FSM	2BA	Bangladesh	KC35E-4000001~	PS0KC419*MH500001~	6BK A
	BA		KC35E-2000001~	PS0KC419*MH000001~	

PARTS CATALOGUE NEWS

BOOKNo. : 18K0EJD2

CBF160FS (CBF160FSM).....2BA

No.	MODEL		CBF160FSM							
	COLOR		Mat axis gray metallic NH-303M	Mat marvel blue metallic B-227M	Pearl igneous black NH-B05P	Mat marshal green metallic 2 GY-156M	Applicable model		Applicable block No.	Ref. No.
	CODE		NH303	B227	NHB05	GY156	Initial applicable model	Final applicable model		
	Name of colored parts	Basic part No.								
1	COVER ASSY. B, FUEL TANK CENTER	64440-K0E-D00	ZE	ZB	ZB	ZF			F-21-20	14
2	COVER ASSY., L. FUEL TANK	64425-K0E-B20	ZF	ZD	ZC	ZB			F-21-20	11
3	COVER ASSY., R. FUEL TANK	64415-K0E-B20	ZF	ZD	ZC	ZB			F-21-20	8
4	COVER, L. FR. FORK	61125-K0E-D20	ZA	ZA	ZA	ZA			F-11	31
5	COVER, R. FR. FORK	61115-K0E-D20	ZA	ZA	ZA	ZA			F-11	30
6	COWL SET, R. RR.	77270-K0E-B20	ZA	ZA	ZA	ZA			F-23-10	4
7	COWL, L. RR.	77281-K0E-D00	ZA	ZA	ZA	ZA			F-23-10	5
8	COWL, L. UNDER	64320-K0E-D20	ZA	ZA	ZA	ZA			F-45	4
9	COWL, R. UNDER	64310-K0E-D20	ZA	ZA	ZA	ZA			F-45	3
10	FENDER A, FR.	61111-K0E-D00	ZH	ZE	ZC	ZJ			F-10	4
11	FENDER SET A, RR.	80110-K0E-D00	ZA	ZA	ZA	ZA			F-34	2
12	FENDER SET B, FR.	61112-K0E-D20	ZA	ZA	ZA	ZA			F-10	10
13	FLANGE SUB ASSY., FINAL DRIVEN	42615-K0E-D20	ZA	ZA	ZA	ZA			F-19-40	6
14	GARNISH, L. FR.	61315-K0E-D00	ZH	ZA	ZC	ZJ			F-43	4
15	GARNISH, R. FR.	61305-K0E-D00	ZH	ZA	ZC	ZJ			F-43	3
16	GRIP, L. RR.	50450-K0E-D50	ZD	ZE	ZF	ZE			F-23	2
17	GRIP, R. RR.	50400-K0E-D50	ZD	ZE	ZF	ZE			F-23	1
18	HOLDER, HANDLE UPPER	53131-K0E-D00	ZA	ZA	ZA	ZA			F-7	6
19	HOLDER, L. HANDLE LOWER	53142-K0E-D00	ZA	ZA	ZA	ZA			F-7	8
20	HOLDER, R. HANDLE LOWER	53132-K0E-D00	ZA	ZA	ZA	ZA			F-7	7
21	MARK, ABS	86611-K0E-D20	ZA	ZA	ZA	ZA			F-50	14
22	MARK, HET BS 4	86833-K43-900	ZA	ZA	ZA	ZA			F-50	12
23	MARK, HONDA	86101-K67-900	ZA	ZA	ZA	ZA			F-50	1
24	MARK, HONDA	86102-K43-900	ZA	ZA	ZA	ZA			F-50	2

## PARTS CATALOGUE NEWS

BOOKNo. : 18K0EJD2

## CBF160FS (CBF160FSM).....2BA

No.	MODEL		CBF160FSM							Applicable block No.	Ref. No.
	COLOR		Mat axis gray metallic NH-303M	Mat marvel blue metallic B-227M	Pearl igneous black NH-B05P	Mat marshal green metallic 2 GY-156M	Applicable model				
	CODE		NH303	B227	NHB05	GY156	Initial applicable model	Final applicable model			
	Name of colored parts	Basic part No.									
25	MIRROR COMP., L.	88220-K38-941	ZA	ZA	ZA	ZA			F-3	3	
26	MIRROR COMP., R.	88210-K38-941	ZA	ZA	ZA	ZA			F-3	2	
27	PIPE, STEERING HANDLE	53100-K0E-D00	ZA	ZA	ZA	ZA			F-7	5	
28	SHROUD SET, L. GARNISH	50250-K0E-B20	ZF	ZD	ZC	ZB			F-21-20	2	
29	SHROUD SET, R. GARNISH	50240-K0E-B20	ZF	ZD	ZC	ZB			F-21-20	1	
30	STRIPE A, L. SHROUD GARNISH	86504-K0E-B20	-	-	ZA	-			F-50	17	
31	STRIPE A, L. SHROUD GARNISH	86504-K0E-D50	ZF	ZD	-	ZB			F-50	17	
32	STRIPE A, R. SHROUD GARNISH	86503-K0E-B20	-	-	ZA	-			F-50	16	
33	STRIPE A, R. SHROUD GARNISH	86503-K0E-D50	ZF	ZD	-	ZB			F-50	16	
34	STRIPE B, L. SHROUD GARNISH	86506-K0E-B20	-	-	ZA	-			F-50	19	
35	STRIPE B, L. SHROUD GARNISH	86506-K0E-D50	ZF	ZD	-	ZB			F-50	19	
36	STRIPE B, R. SHROUD GARNISH	86505-K0E-B20	-	-	ZA	-			F-50	18	
37	STRIPE B, R. SHROUD GARNISH	86505-K0E-D50	ZF	ZD	-	ZB			F-50	18	
38	STRIPE C, L. SHROUD GARNISH	86508-K0E-B20	-	-	ZA	-			F-50	21	
39	STRIPE C, L. SHROUD GARNISH	86508-K0E-D50	ZF	ZD	-	ZB			F-50	21	
40	STRIPE C, R. SHROUD GARNISH	86507-K0E-B20	-	-	ZA	-			F-50	20	
41	STRIPE C, R. SHROUD GARNISH	86507-K0E-D50	ZF	ZD	-	ZB			F-50	20	
42	STRIPE, L. FUEL TANK COVER	86642-K0E-B20	-	-	ZA	-			F-50	23	
43	STRIPE, L. FUEL TANK COVER	86642-K0E-D50	ZF	ZD	-	ZB			F-50	23	
44	STRIPE, R. FUEL TANK COVER	86641-K0E-B20	-	-	ZA	-			F-50	22	
45	STRIPE, R. FUEL TANK COVER	86641-K0E-D50	ZF	ZD	-	ZB			F-50	22	
46	STRIPE, WHEEL	86421-K0E-B20	ZE	ZD	ZC	ZB			F-50	13	
47	VISOR SET, FR.	61300-K0E-D00	ZA	ZA	ZA	ZA			F-43	1	
48	WHEEL SUB ASSY., FR.	44650-K0E-B30	ZE	ZD	ZC	ZB			F-14-40	16	
49	WHEEL SUB ASSY., RR.	42650-K0E-B30	ZE	ZD	ZC	ZB			F-19-40	9	

## PARTS CATALOGUE NEWS

BOOKNo. : 18K0EJD2

## CBF160FS (CBF160FSM).....2BA

No.	MODEL		CBF160FSM					Ref. No.
	COLOR		Pearl spartan red 2 R-392P	Mat marmalade orange metallic YR-371M	Applicable model		Applicable block No.	
	CODE				Initial applicable model	Final applicable model		
	Name of colored parts	Basic part No.	R392	YR371				
1	COVER ASSY. B, FUEL TANK CENTER	64440-K0E-D00	ZB	ZB			F-21-20	14
2	COVER ASSY., L. FUEL TANK	64425-K0E-B20	ZE	ZA			F-21-20	11
3	COVER ASSY., R. FUEL TANK	64415-K0E-B20	ZE	ZA			F-21-20	8
4	COVER, L. FR. FORK	61125-K0E-D20	ZA	ZA			F-11	31
5	COVER, R. FR. FORK	61115-K0E-D20	ZA	ZA			F-11	30
6	COWL SET, R. RR.	77270-K0E-B20	ZA	ZA			F-23-10	4
7	COWL, L. RR.	77281-K0E-D00	ZA	ZA			F-23-10	5
8	COWL, L. UNDER	64320-K0E-D20	ZA	ZA			F-45	4
9	COWL, R. UNDER	64310-K0E-D20	ZA	ZA			F-45	3
10	FENDER A, FR.	61111-K0E-D00	ZG	ZF			F-10	4
11	FENDER SET A, RR.	80110-K0E-D00	ZA	ZA			F-34	2
12	FENDER SET B, FR.	61112-K0E-D20	ZA	ZA			F-10	10
13	FLANGE SUB ASSY., FINAL DRIVEN	42615-K0E-D20	ZA	ZA			F-19-40	6
14	GARNISH, L. FR.	61315-K0E-D00	ZG	ZF			F-43	4
15	GARNISH, R. FR.	61305-K0E-D00	ZG	ZF			F-43	3
16	GRIP, L. RR.	50450-K0E-D50	ZE	ZA			F-23	2
17	GRIP, R. RR.	50400-K0E-D50	ZE	ZA			F-23	1
18	HOLDER, HANDLE UPPER	53131-K0E-D00	ZA	ZA			F-7	6
19	HOLDER, L. HANDLE LOWER	53142-K0E-D00	ZA	ZA			F-7	8
20	HOLDER, R. HANDLE LOWER	53132-K0E-D00	ZA	ZA			F-7	7
21	MARK, ABS	86611-K0E-D20	ZA	ZA			F-50	14
22	MARK, HET BS 4	86833-K43-900	ZA	ZA			F-50	12
23	MARK, HONDA	86101-K67-900	ZA	ZA			F-50	1
24	MARK, HONDA	86102-K43-900	ZA	ZA			F-50	2

## PARTS CATALOGUE NEWS

BOOKNo. : 18K0EJD2

## CBF160FS (CBF160FSM).....2BA

No.	MODEL		CBF160FSM					Applicable block No.	Ref. No.
	COLOR		Pearl spartan red 2	Mat marmalade orange metallic	Applicable model				
	CODE		R-392P	YR-371M	Initial applicable model	Final applicable model			
	Name of colored parts	Basic part No.	R392	YR371					
25	MIRROR COMP., L.	88220-K38-941	ZA	ZA			F-3	3	
26	MIRROR COMP., R.	88210-K38-941	ZA	ZA			F-3	2	
27	PIPE, STEERING HANDLE	53100-K0E-D00	ZA	ZA			F-7	5	
28	SHROUD SET, L. GARNISH	50250-K0E-B20	ZE	ZA			F-21-20	2	
29	SHROUD SET, R. GARNISH	50240-K0E-B20	ZE	ZA			F-21-20	1	
30	STRIPE A, L. SHROUD GARNISH	86504-K0E-D50	ZE	ZA			F-50	17	
31	STRIPE A, R. SHROUD GARNISH	86503-K0E-D50	ZE	ZA			F-50	16	
32	STRIPE B, L. SHROUD GARNISH	86506-K0E-D50	ZE	ZA			F-50	19	
33	STRIPE B, R. SHROUD GARNISH	86505-K0E-D50	ZE	ZA			F-50	18	
34	STRIPE C, L. SHROUD GARNISH	86508-K0E-D50	ZE	ZA			F-50	21	
35	STRIPE C, R. SHROUD GARNISH	86507-K0E-D50	ZE	ZA			F-50	20	
36	STRIPE, L. FUEL TANK COVER	86642-K0E-D50	ZE	ZA			F-50	23	
37	STRIPE, R. FUEL TANK COVER	86641-K0E-D50	ZE	ZA			F-50	22	
38	STRIPE, WHEEL	86421-K0E-B20	ZE	ZA			F-50	13	
39	VISOR SET, FR.	61300-K0E-D00	ZA	ZA			F-43	1	
40	WHEEL SUB ASSY., FR.	44650-K0E-B30	ZE	ZA			F-14-40	16	
41	WHEEL SUB ASSY., RR.	42650-K0E-B30	ZE	ZA			F-19-40	9	



PARTS CATALOGUE NEWS

BOOKNo. : 18K0EJD2

CBF160FS (CBF160FSM).....BA

No.	MODEL		CBF160FSM							
	COLOR		Mat axis gray metallic NH-303M	Mat marvel blue metallic B-227M	Pearl igneous black NH-B05P	Mat marshal green metallic 2 GY-156M	Applicable model		Applicable block No.	Ref. No.
	CODE		NH303	B227	NHB05	GY156	Initial applicable model	Final applicable model		
	Name of colored parts	Basic part No.								
1	COVER ASSY. B, FUEL TANK CENTER	64440-K0E-D00	ZE	ZB	ZB	ZF			F-21-20	14
2	COVER ASSY., L. FUEL TANK	64425-K0E-B20	ZF	ZD	ZC	ZB			F-21-20	11
3	COVER ASSY., R. FUEL TANK	64415-K0E-B20	ZF	ZD	ZC	ZB			F-21-20	8
4	COVER, L. FR. FORK	61125-K0E-D20	ZA	ZA	ZA	ZA			F-11	31
5	COVER, R. FR. FORK	61115-K0E-D20	ZA	ZA	ZA	ZA			F-11	30
6	COWL SET, R. RR.	77270-K0E-B20	ZA	ZA	ZA	ZA			F-23-10	4
7	COWL, L. RR.	77281-K0E-D00	ZA	ZA	ZA	ZA			F-23-10	5
8	COWL, L. UNDER	64320-K0E-D20	ZA	ZA	ZA	ZA			F-45	4
9	COWL, R. UNDER	64310-K0E-D20	ZA	ZA	ZA	ZA			F-45	3
10	FENDER A, FR.	61111-K0E-D00	ZH	ZE	ZC	ZJ			F-10	4
11	FENDER SET A, RR.	80110-K0E-D00	ZA	ZA	ZA	ZA			F-34	2
12	FLANGE SUB ASSY., FINAL DRIVEN	42615-K0E-D20	ZA	ZA	ZA	ZA			F-19-30	5
13	GARNISH, L. FR.	61315-K0E-D00	ZH	ZA	ZC	ZJ			F-43	4
14	GARNISH, R. FR.	61305-K0E-D00	ZH	ZA	ZC	ZJ			F-43	3
15	GRIP, L. RR.	50450-K0E-D50	ZD	ZE	ZF	ZE			F-23	2
16	GRIP, R. RR.	50400-K0E-D50	ZD	ZE	ZF	ZE			F-23	1
17	HOLDER, HANDLE UPPER	53131-K0E-D00	ZA	ZA	ZA	ZA			F-7	6
18	HOLDER, L. HANDLE LOWER	53142-K0E-D00	ZA	ZA	ZA	ZA			F-7	8
19	HOLDER, R. HANDLE LOWER	53132-K0E-D00	ZA	ZA	ZA	ZA			F-7	7
20	MARK, HET BS 4	86833-K43-900	ZA	ZA	ZA	ZA			F-50	12
21	MARK, HONDA	86101-K67-900	ZA	ZA	ZA	ZA			F-50	1
22	MARK, HONDA	86102-K43-900	ZA	ZA	ZA	ZA			F-50	2
23	MIRROR COMP., L.	88220-K38-941	ZA	ZA	ZA	ZA			F-3	3
24	MIRROR COMP., R.	88210-K38-941	ZA	ZA	ZA	ZA			F-3	2

PARTS CATALOGUE NEWS

BOOKNo. : 18K0EJD2

CBF160FS (CBF160FSM).....BA

No.	MODEL		CBF160FSM							
	COLOR		Mat axis gray metallic NH-303M	Mat marvel blue metallic B-227M	Pearl igneous black NH-B05P	Mat marshal green metallic 2 GY-156M	Applicable model		Applicable block No.	Ref. No.
	CODE		NH303	B227	NHB05	GY156	Initial applicable model	Final applicable model		
	Name of colored parts	Basic part No.								
25	PANEL COMP., RR. BRAKE	43100-KYE-910	ZB	ZB	ZB	ZB			F-18	2
26	PIPE, STEERING HANDLE	53100-K0E-D00	ZA	ZA	ZA	ZA			F-7	5
27	SHROUD SET, L. GARNISH	50250-K0E-B20	ZF	ZD	ZC	ZB			F-21-20	2
28	SHROUD SET, R. GARNISH	50240-K0E-B20	ZF	ZD	ZC	ZB			F-21-20	1
29	STRIPE A, L. SHROUD GARNISH	86504-K0E-B20	-	-	ZA	-			F-50	17
30	STRIPE A, L. SHROUD GARNISH	86504-K0E-D50	ZF	ZD	-	ZB			F-50	17
31	STRIPE A, R. SHROUD GARNISH	86503-K0E-B20	-	-	ZA	-			F-50	16
32	STRIPE A, R. SHROUD GARNISH	86503-K0E-D50	ZF	ZD	-	ZB			F-50	16
33	STRIPE B, L. SHROUD GARNISH	86506-K0E-B20	-	-	ZA	-			F-50	19
34	STRIPE B, L. SHROUD GARNISH	86506-K0E-D50	ZF	ZD	-	ZB			F-50	19
35	STRIPE B, R. SHROUD GARNISH	86505-K0E-B20	-	-	ZA	-			F-50	18
36	STRIPE B, R. SHROUD GARNISH	86505-K0E-D50	ZF	ZD	-	ZB			F-50	18
37	STRIPE C, L. SHROUD GARNISH	86508-K0E-B20	-	-	ZA	-			F-50	21
38	STRIPE C, L. SHROUD GARNISH	86508-K0E-D50	ZF	ZD	-	ZB			F-50	21
39	STRIPE C, R. SHROUD GARNISH	86507-K0E-B20	-	-	ZA	-			F-50	20
40	STRIPE C, R. SHROUD GARNISH	86507-K0E-D50	ZF	ZD	-	ZB			F-50	20
41	STRIPE, L. FUEL TANK COVER	86642-K0E-B20	-	-	ZA	-			F-50	23
42	STRIPE, L. FUEL TANK COVER	86642-K0E-D50	ZF	ZD	-	ZB			F-50	23
43	STRIPE, R. FUEL TANK COVER	86641-K0E-B20	-	-	ZA	-			F-50	22
44	STRIPE, R. FUEL TANK COVER	86641-K0E-D50	ZF	ZD	-	ZB			F-50	22
45	STRIPE, WHEEL	86421-K0E-B20	ZE	ZD	ZC	ZB			F-50	13
46	VISOR SET, FR.	61300-K0E-D00	ZA	ZA	ZA	ZA			F-43	1
47	WHEEL SUB ASSY., FR.	44650-K0E-B20	ZE	ZD	ZC	ZB			F-14-40	16
48	WHEEL SUB ASSY., RR.	42650-K0E-B20	ZE	ZD	ZC	ZB			F-19-30	19

## PARTS CATALOGUE NEWS

BOOKNo. : 18K0EJD2

## CBF160FS (CBF160FSM).....BA

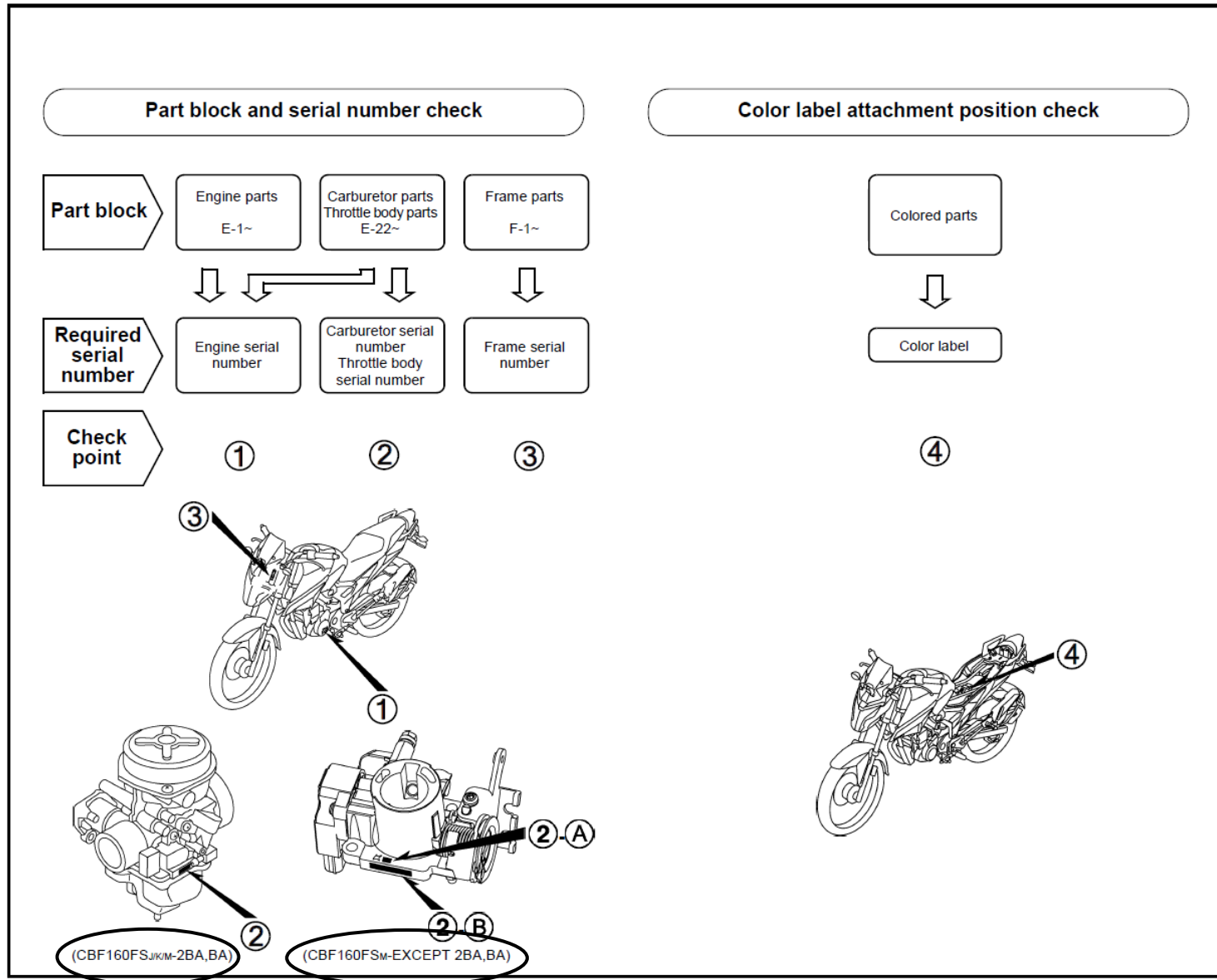
No.	MODEL		CBF160FSM					Applicable block No.	Ref. No.
	COLOR		Pearl spartan red 2	Mat marmalade orange metallic	Applicable model				
	CODE		R-392P	YR-371M	Initial applicable model	Final applicable model			
	Name of colored parts	Basic part No.	R392	YR371					
1	COVER ASSY. B, FUEL TANK CENTER	64440-K0E-D00	ZB	ZB			F-21-20	14	
2	COVER ASSY., L. FUEL TANK	64425-K0E-B20	ZE	ZA			F-21-20	11	
3	COVER ASSY., R. FUEL TANK	64415-K0E-B20	ZE	ZA			F-21-20	8	
4	COVER, L. FR. FORK	61125-K0E-D20	ZA	ZA			F-11	31	
5	COVER, R. FR. FORK	61115-K0E-D20	ZA	ZA			F-11	30	
6	COWL SET, R. RR.	77270-K0E-B20	ZA	ZA			F-23-10	4	
7	COWL, L. RR.	77281-K0E-D00	ZA	ZA			F-23-10	5	
8	COWL, L. UNDER	64320-K0E-D20	ZA	ZA			F-45	4	
9	COWL, R. UNDER	64310-K0E-D20	ZA	ZA			F-45	3	
10	FENDER A, FR.	61111-K0E-D00	ZG	ZF			F-10	4	
11	FENDER SET A, RR.	80110-K0E-D00	ZA	ZA			F-34	2	
12	FLANGE SUB ASSY., FINAL DRIVEN	42615-K0E-D20	ZA	ZA			F-19-30	5	
13	GARNISH, L. FR.	61315-K0E-D00	ZG	ZF			F-43	4	
14	GARNISH, R. FR.	61305-K0E-D00	ZG	ZF			F-43	3	
15	GRIP, L. RR.	50450-K0E-D50	ZE	ZA			F-23	2	
16	GRIP, R. RR.	50400-K0E-D50	ZE	ZA			F-23	1	
17	HOLDER, HANDLE UPPER	53131-K0E-D00	ZA	ZA			F-7	6	
18	HOLDER, L. HANDLE LOWER	53142-K0E-D00	ZA	ZA			F-7	8	
19	HOLDER, R. HANDLE LOWER	53132-K0E-D00	ZA	ZA			F-7	7	
20	MARK, HET BS 4	86833-K43-900	ZA	ZA			F-50	12	
21	MARK, HONDA	86101-K67-900	ZA	ZA			F-50	1	
22	MARK, HONDA	86102-K43-900	ZA	ZA			F-50	2	
23	MIRROR COMP., L.	88220-K38-941	ZA	ZA			F-3	3	
24	MIRROR COMP., R.	88210-K38-941	ZA	ZA			F-3	2	

## PARTS CATALOGUE NEWS

BOOKNo. : 18K0EJD2

## CBF160FS (CBF160FSM).....BA

No.	MODEL		CBF160FSM					Applicable block No.	Ref. No.
	COLOR		Pearl spartan red 2	Mat marmalade orange metallic	Applicable model				
	CODE		R-392P	YR-371M	Initial applicable model	Final applicable model			
	Name of colored parts	Basic part No.	R392	YR371					
25	PANEL COMP., RR. BRAKE	43100-KYE-910	ZB	ZB			F-18	2	
26	PIPE, STEERING HANDLE	53100-K0E-D00	ZA	ZA			F-7	5	
27	SHROUD SET, L. GARNISH	50250-K0E-B20	ZE	ZA			F-21-20	2	
28	SHROUD SET, R. GARNISH	50240-K0E-B20	ZE	ZA			F-21-20	1	
29	STRIPE A, L. SHROUD GARNISH	86504-K0E-D50	ZE	ZA			F-50	17	
30	STRIPE A, R. SHROUD GARNISH	86503-K0E-D50	ZE	ZA			F-50	16	
31	STRIPE B, L. SHROUD GARNISH	86506-K0E-D50	ZE	ZA			F-50	19	
32	STRIPE B, R. SHROUD GARNISH	86505-K0E-D50	ZE	ZA			F-50	18	
33	STRIPE C, L. SHROUD GARNISH	86508-K0E-D50	ZE	ZA			F-50	21	
34	STRIPE C, R. SHROUD GARNISH	86507-K0E-D50	ZE	ZA			F-50	20	
35	STRIPE, L. FUEL TANK COVER	86642-K0E-D50	ZE	ZA			F-50	23	
36	STRIPE, R. FUEL TANK COVER	86641-K0E-D50	ZE	ZA			F-50	22	
37	STRIPE, WHEEL	86421-K0E-B20	ZE	ZA			F-50	13	
38	VISOR SET, FR.	61300-K0E-D00	ZA	ZA			F-43	1	
39	WHEEL SUB ASSY., FR.	44650-K0E-B20	ZE	ZA			F-14-40	16	
40	WHEEL SUB ASSY., RR.	42650-K0E-B20	ZE	ZA			F-19-30	19	



PARTS CATALOGUE NEWS

BOOKNo. :18KOEJD2

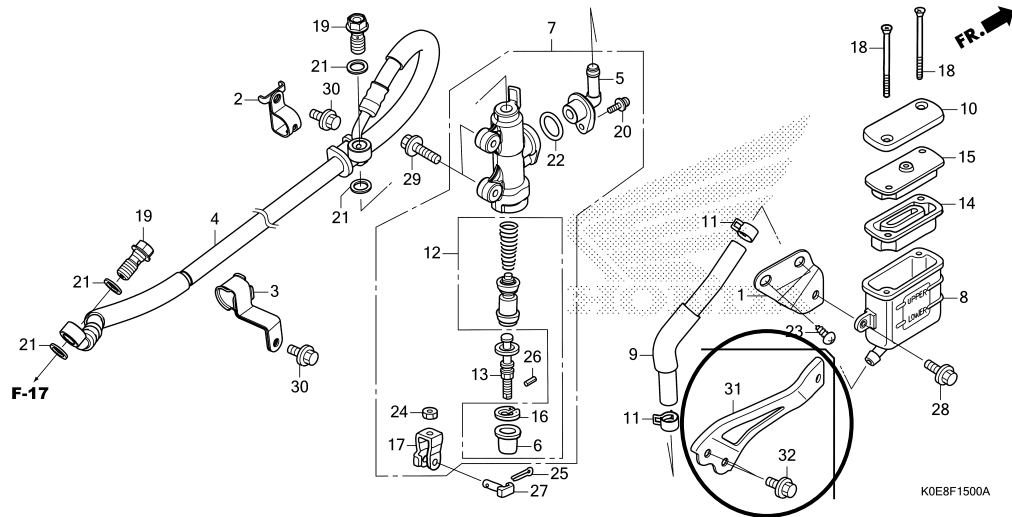
Block No.	Ref. No.	Part No.	Description	Reqd. QTY			Base Part No.	Parts catalogue code
				J	K	M		
E-5	2	12191-K70-630	GASKET, CYLINDER.....	-	-	1	12191-KRE-G00	2BA, BA
E-14	10	15459-K70-630	GASKET, OIL FILTER CAP.....	-	-	1	15459-KWK-900	2BA, BA
E-19	19	91112-KRH-900	ROLLER, 3X8.5.....	-	-	2	96220-30085	2BA, BA
F-10	4	61111-KOE-D00ZF	FENDER A, FR. *YR371M*. MAT MARMALADE ORANGE METALLIC	-	-	1		2BA, BA
		61111-KOE-D00ZG	FENDER A, FR. *R392P*... PEARL SPARTAN RED 2	-	-	1		2BA, BA
		61111-KOE-D00ZH	FENDER A, FR. *NH303M*. MAT AXIS GRAY METALLIC	-	-	1		2BA, BA
		61111-KOE-D00ZJ	FENDER A, FR. *GY156M*. MAT MARSHAL GREEN METALLIC 2	-	-	1		2BA, BA
			FENDER A, FR. *R382P*... PEARL SPARTAN RED	-	-	0	61111-KOE-D00ZA	2BA, BA
			FENDER A, FR. *NHCO6M*. MAT FROZEN SILVER METALLIC	-	-	0	61111-KOE-D00ZB	2BA, BA
			FENDER A, FR. *GY155M*. MAT MARSHAL GREEN METALLIC	-	-	0	61111-KOE-D00ZD	2BA, BA
F-12	2	06455-KPP-N02	PAD SET, FR.....	-	-	1	06455-KPP-N01	2BA, BA
F-14-40	7		TIRE, FR. (TVS) (80/100-17 M/C 46P)	-	-	0	44711-KOE-D21	2BA
	11		BEARING, RADIAL BALL, 6301UU (JTEKT)	-	-	0	91051-K21-901	BA
			BEARING, RADIAL BALL, 6301UU (NSK)	-	-	0	91053-KWF-931	BA
	16	44650-KOE-B20ZA	WHEEL SUB ASSY., FR. (WL) *TYPE5*.....	-	-	1		BA
		44650-KOE-B20ZB	WHEEL SUB ASSY., FR. (WL) *TYPE4*.....	-	-	1	44650-KOE-B00ZA	BA

PARTS CATALOGUE NEWS

BOOKNo. :18KOEJD2

Block No.	Ref. No.	Part No.	Description	Reqd. QTY			Base Part No.	Parts catalogue code
				J	K	M		
		44650-K0E-B20ZC	WHEEL SUB ASSY., FR. (WL) *TYPE3*	-	-	1	44650-K0E-B00ZB	BA
		44650-K0E-B20ZD	WHEEL SUB ASSY., FR. (WL) *TYPE2*	-	-	1	44650-K0E-B00ZC	BA
		44650-K0E-B20ZE	WHEEL SUB ASSY., FR. (WL) *TYPE1*	-	-	1	44650-K0E-B00ZD	BA
		44650-K0E-B30ZA	WHEEL SUB ASSY., FR. (WL) *TYPE5*	-	-	1		2BA
		44650-K0E-B30ZB	WHEEL SUB ASSY., FR. (WL) *TYPE4*	-	-	1	44650-K0E-D20ZC	2BA
		44650-K0E-B30ZC	WHEEL SUB ASSY., FR. (WL) *TYPE3*	-	-	1	44650-K0E-D20ZD	2BA
		44650-K0E-B30ZD	WHEEL SUB ASSY., FR. (WL) *TYPE2*	-	-	1	44650-K0E-D20ZE	2BA
		44650-K0E-B30ZE	WHEEL SUB ASSY., FR. (WL) *TYPE1*	-	-	1	44650-K0E-D20ZF	2BA

F-15 REAR BRAKE MASTER CYLINDER



## PARTS CATALOGUE NEWS

BOOKNo. :18KOEJD2

Block No.	Ref. No.	Part No.	Description	Reqd. QTY			Base Part No.	Parts catalogue code
				J	K	M		
F-15	2	43155-K0E-D70	CLAMPER, RR. BRAKE HOSE.....	-	-	1	2BA	
	3	43156-K0E-D70	GUIDE, RR. BRAKE HOSE.....	-	-	1	2BA	
	4	43310-K0E-D71	HOSE COMP., RR. BRAKE.....	-	-	1	2BA	
	5	43503-MER-D01	CONNECTOR, MASTER CYLINDER....	-	-	1	2BA	
	6	43504-MB2-006	BOOT COMP.....	-	-	1	2BA	
	7	43510-K15-901	CYLINDER SUB ASSY., RR. BRAKE MASTER (NISSIN)	-	-	1	2BA	
	8	43511-K43-D31	CUP COMP., OIL.....	-	-	1	2BA	
	9	43512-K0E-D71	HOSE, RR. MASTER CYLINDER.....	-	-	1	2BA	
	10	43513-KBP-881	CAP, MASTER CYLINDER.....	-	-	1	2BA	
	11	43514-KS6-701	CLAMP, MASTER CYLINDER OIL HOSE	-	-	2	2BA	
	12	43520-MJ6-315	PISTON SET, MASTER CYLINDER (NISSIN)	-	-	1	2BA	
	13	43530-MV9-006	ROD COMP., PUSH.....	-	-	1	2BA	
	14	45520-GW0-911	DIAPHRAGM.....	-	-	1	2BA	
	15	45521-GW0-911	PLATE, DIAPHRAGM.....	-	-	1	2BA	
	16	46182-MEL-D21	CIRCLIP.....	-	-	1	2BA	
	17	46504-KV6-702	JOINT, BRAKE ROD.....	-	-	1	2BA	
	18	90140-K43-D31	SCREW, FLAT, 4X50.....	-	-	2	2BA	
	19	90145-GAZ-981	BOLT, OIL, 10X22.....	-	-	2	2BA	
	20	90508-K21-921	SCREW-WASHER, 4X12.....	-	-	1	2BA	
	21	90545-300-000	WASHER, OIL BOLT.....	-	-	4	2BA	
	22	91212-422-006	O-RING, 14.8X2.4.....	-	-	1	2BA	
	24	94002-08000-0S	NUT, HEX., 8MM.....	-	-	1	2BA	
	25	94201-20150	PIN, SPLIT, 2.0X15.....	-	-	1	2BA	



PARTS CATALOGUE NEWS

BOOKNo. :18KOEJD2

Block No.	Ref. No.	Part No.	Description	Reqd. QTY			Base Part No.	Parts catalogue code
				J	K	M		
	26	94305-20102	PIN, SPRING, 2X10.....	-	-	1	2BA	
	27	95015-54000	PIN D, JOINT.....	-	-	1	2BA	
	28	95701-06014-08	BOLT, FLANGE, 6X14.....	-	-	1	2BA	
	29	95701-06022-08	BOLT, FLANGE, 6X22.....	-	-	2	2BA	
	30	96001-06010-07	BOLT, FLANGE, 6X10.....	-	-	2	2BA	
	31	50185-K0E-B30	STAY B, OIL CUP.....	-	-	1	2BA	
	32	95701-06010-00	BOLT, FLANGE, 6X10.....	-	-	2	2BA	
F-17	1	06435-KSP-B02	PAD SET, RR.....	-	-	1	2BA	
	2	06451-MA7-405	SEAL SET, PISTON.....	-	-	1	2BA	
	3	43107-MA7-006	PISTON.....	-	-	1	2BA	
	4	43108-KSP-B51	SPRING, PAD(NISSIN).....	-	-	1	2BA	
	5	43112-KSP-B01	RETAINER.....	-	-	1	2BA	
	6	43150-KYE-902	CALIPER SUB ASSY., RR. (NISSIN)	-	-	1	2BA	
	7	43190-KSP-B01	BRACKET SUB ASSY., RR. (NISSIN)	-	-	1	2BA	
	8	43215-KGH-901	PIN, HANGER.....	-	-	1	2BA	
	9	43352-568-003	SCREW, BLEEDER(NISSIN).....	-	-	1	2BA	
	10	43353-461-771	CAP, BLEEDER.....	-	-	1	2BA	
	11	45111-MAJ-G41	RING, STOPPER.....	-	-	1	2BA	
	12	45132-166-016	BOOT, PIN BUSH(NISSIN).....	-	-	1	2BA	
	13	45133-MA3-006	BOOT B.....	-	-	1	2BA	
	14	45203-MCC-006	PLUG, PIN.....	-	-	1	2BA	
F-18	1		SHOE SET, BRAKE (JB).....	-	-	0	06430-KTN-700	2BA
			SHOE SET, BRAKE (ASK).....	-	-	0	06430-KVT-D10	2BA

## PARTS CATALOGUE NEWS

BOOKNo. :18KOEJD2

Block No.	Ref. No.	Part No.	Description	Reqd. QTY			Base Part No.	Parts catalogue code
				J	K	M		
	2		PANEL COMP., RR. BRAKE *NH303M* MAT AXIS GRAY METALLIC	-	-	0	43100-KYE-910ZB	2BA
	3		INDICATOR, RR. BRAKE.....	-	-	0	43145-K38-900	2BA
	4		SPRING, BRAKE SHOE..... (ASK)	-	-	0	43151-329-000	2BA
			SPRING, FR. BRAKE SHOE..... (ASK) (JB) (FOR RR.)	-	-	0	45133-KPL-900	2BA
	5		ARM, RR. BRAKE.....	-	-	0	43410-K38-900	2BA
	6		DUST SEAL, BRAKE CAM.....	-	-	0	45134-250-000	2BA
	7		CAM, FR. BRAKE..... (FOR RR.)	-	-	0	45141-KTC-900	2BA
	8		NUT, U, 6MM(FUJI SEIMITSU)....	-	-	0	90301-KGH-901	2BA
			NUT, FLANGE, 6MM (LEO FASTENERS)	-	-	0	90302-KST-942	2BA
			NUT, FLANGE SPECIAL, 6MM (SIMMONDS MARSHALL)	-	-	0	90302-KTE-911	2BA
	9		NUT, FLANGE, 14MM (SIMMONDS MARSHALL)	-	-	0	90305-KVN-901	2BA
	10		WASHER, R. RR. AXLE.....	-	-	0	90560-KSP-900	2BA
	11		BOLT, FLANGE, 6X35.....	-	-	0	95701-06035-00	2BA
			BOLT, FLANGE, 6X35.....	-	-	0	95702-06035-00	2BA
F-19-30	1		DAMPER SET, WHEEL.....	-	-	0	06410-KSP-900	2BA
	2		SPROCKET COMP., FINAL DRIVEN (45T)	-	-	0	41200-K0E-D00	2BA
	3		AXLE, RR. WHEEL.....	-	-	0	42301-K0E-D00	2BA
	4		COLLAR, L. RR. WHEEL SIDE.....	-	-	0	42311-K0E-D00	2BA
	5		FLANGE SUB ASSY., FINAL DRIVEN *NH105*...MAT BLACK (#15-#20)	-	-	0	42615-K0E-D20ZA	2BA

## PARTS CATALOGUE NEWS

BOOKNo. :18KOEJD2

Block No.	Ref. No.	Part No.	Description	Reqd. QTY			Base Part No.	Parts catalogue code
				J	K	M		
	6		COLLAR, RR. WHEEL DISTANCE....	-	-	0	42620-K0E-D00	2BA
	7		SLEEVE, RR. WHEEL.....	-	-	0	42303-K0E-D00	2BA
	10		TIRE, RR. (MRF) (130/70-17 M/C 62P)	-	-	0	42711-K0E-D01	2BA
			TIRE, RR. (TVS) (130/70-17 M/C 62P)	-	-	0	42711-K0E-D21	2BA
	11		VALVE, RIM (ACCURA).....	-	-	0	42753-K24-G11	2BA
			VALVE, RIM (TRITON).....	-	-	0	42753-KWF-901	2BA
	12		NUT, FLANGE SPECIAL, 10MM (SIMMONDS MARSHALL)	-	-	0	90304-KTE-911	2BA
	13		WASHER, R. RR. AXLE..... (L. SIDE)	-	-	0	90560-KSP-900	2BA
	14		BEARING, RADIAL BALL, 6302U (FAG)	-	-	0	91051-KPP-N01	2BA
	15		BEARING, RADIAL BALL, 6004UU (NE1)	-	-	0	91053-K21-901	2BA
	16		OIL SEAL, 28X42X7 (ARA1).....	-	-	0	91257-230-003	2BA
	17		O-RING, 51X2.....	-	-	0	91352-KSP-900	2BA
	18		BOLT, STUD, 10X22.....	-	-	0	90128-K45-N00	2BA
	19	42650-K0E-B20ZA	WHEEL SUB ASSY., RR. (WL) *TYPE5*.....	-	-	1		BA
		42650-K0E-B20ZB	WHEEL SUB ASSY., RR. (WL) *TYPE4*.....	-	-	1	42650-K0E-D20ZB	BA
		42650-K0E-B20ZC	WHEEL SUB ASSY., RR. (WL) *TYPE3*.....	-	-	1	42650-K0E-D20ZC	BA
		42650-K0E-B20ZD	WHEEL SUB ASSY., RR. (WL) *TYPE2*.....	-	-	1	42650-K0E-D20ZD	BA
		42650-K0E-B20ZE	WHEEL SUB ASSY., RR. (WL) *TYPE1*.....	-	-	1	42650-K0E-D20ZE	BA

## PARTS CATALOGUE NEWS

BOOKNo. :18KOEJD2

Block No.	Ref. No.	Part No.	Description	Reqd. QTY			Base Part No.	Parts catalogue code
				J	CBF160FS K	M		
			WHEEL SUB ASSY., RR. (WL) *TYPE4*.....	-	-	0	42650-K0E-D20ZB	2BA
			WHEEL SUB ASSY., RR. (WL) *TYPE3*.....	-	-	0	42650-K0E-D20ZC	2BA
			WHEEL SUB ASSY., RR. (WL) *TYPE2*.....	-	-	0	42650-K0E-D20ZD	2BA
			WHEEL SUB ASSY., RR. (WL) *TYPE1*.....	-	-	0	42650-K0E-D20ZE	2BA
F-19-40	1	06410-KSP-900	DAMPER SET, WHEEL.....	-	-	1		2BA
	2	41200-K0E-D00	SPROCKET COMP., FINAL DRIVEN (45T)	-	-	1		2BA
	3	42301-K0E-D00	AXLE, RR. WHEEL.....	-	-	1		2BA
	4	42311-K0E-D00	COLLAR, L. RR. WHEEL SIDE.....	-	-	1		2BA
	5	42311-K0E-D70	COLLAR, R. RR. WHEEL SIDE.....	-	-	1		2BA
	6	42615-K0E-D20ZA	FLANGE SUB ASSY., FINAL DRIVEN *NH105*...MAT BLACK (#15-#20)	-	-	1		2BA
	7	42620-KSP-B00	COLLAR, RR. AXLE DISTANCE.....	-	-	1		2BA
	8	42303-K0E-D00	SLEEVE, RR. WHEEL.....	-	-	1		2BA
	9	42650-K0E-B30ZA	WHEEL SUB ASSY., RR. (WL) *TYPE5*.....	-	-	1		2BA
		42650-K0E-B30ZB	WHEEL SUB ASSY., RR. (WL) *TYPE4*.....	-	-	1		2BA
		42650-K0E-B30ZC	WHEEL SUB ASSY., RR. (WL) *TYPE3*.....	-	-	1		2BA
		42650-K0E-B30ZD	WHEEL SUB ASSY., RR. (WL) *TYPE2*.....	-	-	1		2BA
		42650-K0E-B30ZE	WHEEL SUB ASSY., RR. (WL) *TYPE1*.....	-	-	1		2BA
	11	42711-K0E-D01	TIRE, RR. (MRF) (130/70-17 M/C 62P)	-	-	1		2BA

## PARTS CATALOGUE NEWS

BOOKNo. : 18KOEJD2

Block No.	Ref. No.	Part No.	Description	Reqd. QTY			Base Part No.	Parts catalogue code
				J	K	M		
	12	42753-K24-G11	VALVE, RIM (ACCURA).....	-	-	1	2BA	
		42753-KWF-901	VALVE, RIM (TRITON).....	-	-	1	2BA	
	13	43251-K43-911	DISK, RR. BRAKE (YUTAKA).....	-	-	1	2BA	
	14	90105-KSP-870	BOLT, DISK, 8X24.....	-	-	4	2BA	
	15	90304-KTE-911	NUT, FLANGE SPECIAL, 10MM (SIMMONDS MARSHALL)	-	-	4	2BA	
	16	90305-KVN-901	NUT, FLANGE, 14MM (SIMMONDS MARSHALL)	-	-	1	2BA	
	17	90560-KSP-900	WASHER, R. RR. AXLE.....	-	-	2	2BA	
	18	91051-KPP-N01	BEARING, RADIAL BALL, 6302U (FAG)	-	-	2	2BA	
	20	91053-K21-901	BEARING, RADIAL BALL, 6004UU (NE1)	-	-	1	2BA	
	21	91257-230-003	OIL SEAL, 28X42X7 (ARAI).....	-	-	1	2BA	
	22	91352-KSP-900	O-RING, 51X2.....	-	-	1	2BA	
	23	90128-K45-N00	BOLT, STUD, 10X22.....	-	-	4	2BA	
	24	91257-230-003	OIL SEAL, 28X42X7 (ARAI).....	-	-	1	2BA	
		91257-230-005	OIL SEAL, 28X42X7 (NOK).....	-	-	1	2BA	
F-21-20	1	50240-K0E-B20ZA	SHROUD SET, R. GARNISH (WL) *TYPE6*.....	-	-	1	2BA, BA	
		50240-K0E-B20ZB	SHROUD SET, R. GARNISH (WL) *TYPE5*.....	-	-	1	2BA, BA	
		50240-K0E-B20ZC	SHROUD SET, R. GARNISH (WL) *TYPE4*.....	-	-	1	2BA, BA	
		50240-K0E-B20ZD	SHROUD SET, R. GARNISH (WL) *TYPE3*.....	-	-	1	2BA, BA	
		50240-K0E-B20ZE	SHROUD SET, R. GARNISH (WL) *TYPE2*.....	-	-	1	2BA, BA	

## PARTS CATALOGUE NEWS

BOOKNo. :18KOEJD2

Block No.	Ref. No.	Part No.	Description	Reqd. QTY			Base Part No.	Parts catalogue code
				J	K	M		
		50240-K0E-B20ZF	SHROUD SET, R. GARNISH (WL) *TYPE1*.....	-	-	1	2BA, BA	
			SHROUD SET, R. GARNISH (WL) *NHB05P*.. PEARL IGNEOUS BLACK	-	-	0	50240-K0E-D00ZF	2BA, BA
2		50250-K0E-B20ZA	SHROUD SET, L. GARNISH (WL) *TYPE6*.....	-	-	1	2BA, BA	
		50250-K0E-B20ZB	SHROUD SET, L. GARNISH (WL) *TYPE5*.....	-	-	1	2BA, BA	
		50250-K0E-B20ZC	SHROUD SET, L. GARNISH (WL) *TYPE4*.....	-	-	1	2BA, BA	
		50250-K0E-B20ZD	SHROUD SET, L. GARNISH (WL) *TYPE3*.....	-	-	1	2BA, BA	
		50250-K0E-B20ZE	SHROUD SET, L. GARNISH (WL) *TYPE2*.....	-	-	1	2BA, BA	
		50250-K0E-B20ZF	SHROUD SET, L. GARNISH (WL) *TYPE1*.....	-	-	1	2BA, BA	
			SHROUD SET, L. GARNISH (WL) *NHB05P*.. PEARL IGNEOUS BLACK	-	-	0	50250-K0E-D00ZF	2BA, BA
8		64415-K0E-B20ZA	COVER ASSY., R. FUEL TANK (WL) *TYPE6*.....	-	-	1	2BA, BA	
		64415-K0E-B20ZB	COVER ASSY., R. FUEL TANK (WL) *TYPE5*.....	-	-	1	64415-K0E-D00ZA	2BA, BA
		64415-K0E-B20ZC	COVER ASSY., R. FUEL TANK (WL) *TYPE4*.....	-	-	1	64415-K0E-D00ZB	2BA, BA
		64415-K0E-B20ZD	COVER ASSY., R. FUEL TANK (WL) *TYPE3*.....	-	-	1	64415-K0E-D00ZC	2BA, BA
		64415-K0E-B20ZE	COVER ASSY., R. FUEL TANK (WL) *TYPE2*.....	-	-	1	64415-K0E-D00ZD	2BA, BA
		64415-K0E-B20ZF	COVER ASSY., R. FUEL TANK (WL) *TYPE1*.....	-	-	1	64415-K0E-D00ZE	2BA, BA
11		64425-K0E-B20ZA	COVER ASSY., L. FUEL TANK (WL) *TYPE6*.....	-	-	1	2BA, BA	

PARTS CATALOGUE NEWS

BOOKNo. :18KOEJD2

Block No.	Ref. No.	Part No.	Description	Reqd. QTY			Base Part No.	Parts catalogue code
				J	CBF160FS K	M		
		64425-K0E-B20ZB	COVER ASSY., L. FUEL TANK (WL) *TYPE5*.....	-	-	1	64425-K0E-D00ZA	2BA, BA
		64425-K0E-B20ZC	COVER ASSY., L. FUEL TANK (WL) *TYPE4*.....	-	-	1	64425-K0E-D00ZB	2BA, BA
		64425-K0E-B20ZD	COVER ASSY., L. FUEL TANK (WL) *TYPE3*.....	-	-	1	64425-K0E-D00ZC	2BA, BA
		64425-K0E-B20ZE	COVER ASSY., L. FUEL TANK (WL) *TYPE2*.....	-	-	1	64425-K0E-D00ZD	2BA, BA
		64425-K0E-B20ZF	COVER ASSY., L. FUEL TANK (WL) *TYPE1*.....	-	-	1	64425-K0E-D00ZE	2BA, BA
	14	64440-K0E-D00ZE	COVER ASSY. B, FUEL TANK CENTER *NHB06M*. SPACE SILVER METALLIC	-	-	1		2BA, BA
		64440-K0E-D00ZF	COVER ASSY. B, FUEL TANK CENTER *NHC56M*. FORCE SILVER METALLIC 2	-	-	1		2BA, BA
			COVER ASSY. B, FUEL TANK CENTER *R355M*. IMPERIAL RED METALLIC	-	-	0	64440-K0E-D00ZA	2BA, BA
	22	90654-K0L-D00	NUT, CLIP, 5MM.....	-	-	4	90677-KAN-T00	2BA, BA
F-23	1	50400-K0E-D50ZA	GRIP, R. RR. *YR371M*. MAT MARMALADE ORANGE METALLIC	-	-	1		2BA, BA
		50400-K0E-D50ZD	GRIP, R. RR. *NH303M*. MAT AXIS GRAY METALLIC	-	-	1		2BA, BA
		50400-K0E-D50ZE	GRIP, R. RR. *NHC56M*. FORCE SILVER METALLIC 2	-	-	1		2BA, BA
		50400-K0E-D50ZF	GRIP, R. RR. *NHB05P*.. PEARL IGNEOUS BLACK	-	-	1		2BA, BA
			GRIP, R. RR. *NH105*... MAT BLACK (#15-#20)	-	-	0	50400-K0E-D00ZA	2BA, BA

## PARTS CATALOGUE NEWS

BOOKNo. :18KOEJD2

Block No.	Ref. No.	Part No.	Description	Reqd. QTY			Base Part No.	Parts catalogue code
				J	K	M		
	2	50450-K0E-D50ZA	GRIP, L. RR. *YR371M* MAT MARMALADE ORANGE METALLIC	-	-	1	2BA, BA	
		50450-K0E-D50ZD	GRIP, L. RR. *NH303M* MAT AXIS GRAY METALLIC	-	-	1	2BA, BA	
		50450-K0E-D50ZE	GRIP, L. RR. *NHC56M* FORCE SILVER METALLIC 2	-	-	1	2BA, BA	
		50450-K0E-D50ZF	GRIP, L. RR. *NH805P*... PEARL IGNEOUS BLACK	-	-	1	2BA, BA	
			GRIP, L. RR. *NH105*... MAT BLACK (#15-#20)	-	-	0	50450-K0E-D00ZA	2BA, BA
F-23-10	4	77270-K0E-B20ZA	COWL SET, R. RR. (WL) *TYPE1*.....	-	-	1	77270-K0E-D00ZE	2BA, BA
			COWL SET, R. RR. (WL) *TYPE5*.....	-	-	0	77270-K0E-D00ZA	2BA, BA
			COWL SET, R. RR. (WL) *TYPE4*.....	-	-	0	77270-K0E-D00ZB	2BA, BA
			COWL SET, R. RR. (WL) *TYPE3*.....	-	-	0	77270-K0E-D00ZC	2BA, BA
			COWL SET, R. RR. (WL) *TYPE2*.....	-	-	0	77270-K0E-D00ZD	2BA, BA
	5	77281-K0E-D00ZA	COWL, L. RR. (WOL) *NH303M* MAT AXIS GRAY METALLIC	-	-	1	2BA, BA	
			COWL SET, L. RR. (WL) *TYPE5*.....	-	-	0	77280-K0E-D00ZA	2BA, BA
			COWL SET, L. RR. (WL) *TYPE4*.....	-	-	0	77280-K0E-D00ZB	2BA, BA
			COWL SET, L. RR. (WL) *TYPE3*.....	-	-	0	77280-K0E-D00ZC	2BA, BA
			COWL SET, L. RR. (WL) *TYPE2*.....	-	-	0	77280-K0E-D00ZD	2BA, BA



## PARTS CATALOGUE NEWS

BOOKNo. :18KOEJD2

Block No.	Ref. No.	Part No.	Description	Reqd. QTY			Base Part No.	Parts catalogue code
				J	K	M		
			COWL SET, L. RR. (WL) *TYPE1*.....	-	-	0	77280-K0E-D00ZE	2BA, BA
F-24	1	83561-K0E-D50	COVER, R. SIDE.....	-	-	1	83561-K0E-D00	2BA
F-27	4	18300-K0E-B20	MUFFLER COMP., EX.....	-	-	1	18300-K0E-D00	2BA, BA
	7	18356-K0E-D50	COVER B, MUFFLER.....	-	-	1	18356-K0E-D00	2BA, BA
F-29	12		ROD COMP., RR. BRAKE.....	-	-	0	43451-K0E-D00	2BA
	13		JOINT, BRAKE ARM.....	-	-	0	43455-KSP-900	2BA
	14		SPRING, BRAKE ROD.....	-	-	0	43456-KSP-900	2BA
	15		NUT, BRAKE ROD ADJUSTING.....	-	-	0	43459-KSP-900	2BA
	16		PEDAL COMP., RR. BRAKE.....	-	-	0	46500-K0E-D00	2BA
	18		SPRING SET, BRAKE PEDAL.....	-	-	0	46510-K21-900	2BA
	23		PIN, SPLIT, 2.0X12.....	-	-	0	94201-20120	2BA
	27		PIN C, JOINT.....	-	-	0	95015-53000	2BA
	32	46500-K0E-D70	PEDAL COMP., RR. BRAKE.....	-	-	1		2BA
	33	46514-KN5-670	SPRING, BRAKE PEDAL.....	-	-	1		2BA
F-30	4	50640-K0E-D50	HOLDER, R. STEP.....	-	-	1	50640-K0E-D00	BA
		50640-K0E-D70	HOLDER, R. STEP.....	-	-	1	50640-K0E-D00	2BA
	11	50740-K0E-D50	HOLDER, L. STEP.....	-	-	1	50740-K0E-D00	2BA, BA
	13	50711-K0E-D50	BAR, R. PILLION STEP.....	-	-	1	50711-K43-900	2BA, BA
	14	50712-K0E-D50	BAR, L. PILLION STEP.....	-	-	1	50712-K43-900	2BA, BA
	20	94102-08000	WASHER, PLAIN, 8MM.....	-	-	2	94101-06000	2BA, BA
	22	94201-20150	PIN, SPLIT, 2.0X15.....	-	-	2	94201-16150	2BA, BA
	24	50603-K0N-D00	PIN, PILLION STEP BAR JOINT...	-	-	2	90131-KWP-F00	2BA, BA
F-31	3	50526-K1K-D00	SHAFT, MAIN STAND.....	-	-	1	50526-K38-940	2BA, BA
F-32	1	40511-K0E-D70	CASE, DRIVE CHAIN.....	-	-	1	40511-K0E-D00	2BA

PARTS CATALOGUE NEWS

BOOKNo. :18KOEJD2

Block No.	Ref. No.	Part No.	Description	Reqd. QTY			Base Part No.	Parts catalogue code
				J	K	M		
	10	52200-K0E-D70	SWINGARM SUB ASSY., RR. ....	-	-	1	52200-K0E-D00	2BA
F-34	6	80212-K0E-D70	STAY, FENDER (INNER).....	-	-	1	80212-K0E-D00	2BA
F-38	3	30500-K0E-D41	COIL ASSY., IGNITION.....	-	-	1	30500-K0E-D01	BA
F-39	1	50100-K0E-B20	BODY COMP., FRAME.....	-	-	1	50100-K0E-D00	BA
		50100-K0E-B30	BODY COMP., FRAME.....	-	-	1	50100-K0E-D40	2BA
	3		GUIDE, CLUTCH CABLE (A).....	-	-	0	50212-K0E-D00	2BA, BA
	6	83560-K0E-D70	COVER, R. STEP.....	-	-	1	83560-K0E-D00	2BA
	15	95701-06012-07	BOLT, FLANGE, 6X12.....	-	-	1		2BA, BA
F-43	3	61305-K0E-D00ZA	GARNISH, R. FR. (WOL) *B227M*. MAT MARVEL BLUE METALLIC	-	-	1		2BA, BA
		61305-K0E-D00ZC	GARNISH, R. FR. (WOL) *NH805P*.. PEARL IGNEOUS BLACK	-	-	1		2BA, BA
		61305-K0E-D00ZF	GARNISH, R. FR. (WOL) *YR371M*. MAT MARMALADE ORANGE METALLIC	-	-	1		2BA, BA
		61305-K0E-D00ZG	GARNISH, R. FR. (WOL) *R392P*... PEARL SPARTAN RED 2	-	-	1		2BA, BA
		61305-K0E-D00ZH	GARNISH, R. FR. (WOL) *NH303M*. MAT AXIS GRAY METALLIC	-	-	1		2BA, BA
		61305-K0E-D00ZJ	GARNISH, R. FR. (WOL) *GY156M*. MAT MARSHAL GREEN METALLIC 2	-	-	1		2BA, BA
			GARNISH SET, R. FR. (WL) *TYPE5*.....	-	-	0	61306-K0E-D00ZA	2BA, BA
			GARNISH SET, R. FR. (WL) *TYPE4*.....	-	-	0	61306-K0E-D00ZB	2BA, BA
			GARNISH SET, R. FR. (WL) *TYPE3*.....	-	-	0	61306-K0E-D00ZC	2BA, BA

## PARTS CATALOGUE NEWS

BOOKNo. :18KOEJD2

Block No.	Ref. No.	Part No.	Description	Reqd. QTY			Base Part No.	Parts catalogue code
				J	CBF160FS K	M		
			GARNISH SET, R. FR. (WL) *TYPE2*.....	-	-	0	61306-K0E-D00ZD	2BA, BA
			GARNISH SET, R. FR. (WL) *TYPE1*.....	-	-	0	61306-K0E-D00ZE	2BA, BA
	4	61315-K0E-D00ZA	GARNISH, L. FR. (WOL) *B227M* MAT MARVEL BLUE METALLIC	-	-	1		2BA, BA
		61315-K0E-D00ZC	GARNISH, L. FR. (WOL) *NH05P*.. PEARL IGNEOUS BLACK	-	-	1		2BA, BA
		61315-K0E-D00ZF	GARNISH, L. FR. (WOL) *YR371M* MAT MARMALADE ORANGE METALLIC	-	-	1		2BA, BA
		61315-K0E-D00ZG	GARNISH, L. FR. (WOL) *R392P*.. PEARL SPARTAN RED 2	-	-	1		2BA, BA
		61315-K0E-D00ZH	GARNISH, L. FR. (WOL) *NH303M* MAT AXIS GRAY METALLIC	-	-	1		2BA, BA
		61315-K0E-D00ZJ	GARNISH, L. FR. (WOL) *GY156M* MAT MARSHAL GREEN METALLIC 2	-	-	1		2BA, BA
			GARNISH SET, L. FR. (WL) *TYPE5*.....	-	-	0	61316-K0E-D00ZA	2BA, BA
			GARNISH SET, L. FR. (WL) *TYPE4*.....	-	-	0	61316-K0E-D00ZB	2BA, BA
			GARNISH SET, L. FR. (WL) *TYPE3*.....	-	-	0	61316-K0E-D00ZC	2BA, BA
			GARNISH SET, L. FR. (WL) *TYPE2*.....	-	-	0	61316-K0E-D00ZD	2BA, BA
			GARNISH SET, L. FR. (WL) *TYPE1*.....	-	-	0	61316-K0E-D00ZE	2BA, BA
F-49	4		LABEL, DRIVE.....	-	-	0	87560-K43-900	2BA
	5		LABEL, ABS INFORMATION(1CH)...	-	-	0	87514-K26-C10	2BA

## PARTS CATALOGUE NEWS

BOOKNo. :18KOEJD2

Block No.	Ref. No.	Part No.	Description	Reqd. QTY			Base Part No.	Parts catalogue code
				J	K	M		
	7	87560-KSP-D20	LABEL, DRIVE & ABS INFORMATION (1CH)	-	-	1	2BA	
F-50	5		STRIPE, SHROUD GARNISH *TYPE1*.....	-	-	0	86501-K0E-D00ZA	2BA, BA
	6		STRIPE, R. FR. GARNISH *TYPE5*.....	-	-	0	86613-K0E-D00ZA	2BA, BA
			STRIPE, R. FR. GARNISH *TYPE4*.....	-	-	0	86613-K0E-D00ZB	2BA, BA
			STRIPE, R. FR. GARNISH *TYPE3*.....	-	-	0	86613-K0E-D00ZC	2BA, BA
			STRIPE, R. FR. GARNISH *TYPE2*.....	-	-	0	86613-K0E-D00ZD	2BA, BA
			STRIPE, R. FR. GARNISH *TYPE1*.....	-	-	0	86613-K0E-D00ZE	2BA, BA
	7		STRIPE, L. FR. GARNISH *TYPE5*.....	-	-	0	86614-K0E-D00ZA	2BA, BA
			STRIPE, L. FR. GARNISH *TYPE4*.....	-	-	0	86614-K0E-D00ZB	2BA, BA
			STRIPE, L. FR. GARNISH *TYPE3*.....	-	-	0	86614-K0E-D00ZC	2BA, BA
			STRIPE, L. FR. GARNISH *TYPE2*.....	-	-	0	86614-K0E-D00ZD	2BA, BA
			STRIPE, L. FR. GARNISH *TYPE1*.....	-	-	0	86614-K0E-D00ZE	2BA, BA
	8		STRIPE, R. FUEL TANK COVER *TYPE5*.....	-	-	0	86641-K0E-D00ZA	2BA, BA
			STRIPE, R. FUEL TANK COVER *TYPE4*.....	-	-	0	86641-K0E-D00ZB	2BA, BA
			STRIPE, R. FUEL TANK COVER *TYPE3*.....	-	-	0	86641-K0E-D00ZC	2BA, BA
			STRIPE, R. FUEL TANK COVER *TYPE2*.....	-	-	0	86641-K0E-D00ZD	2BA, BA

## PARTS CATALOGUE NEWS

BOOKNo. : 18KOEJD2

Block No.	Ref. No.	Part No.	Description	Reqd. QTY			Base Part No.	Parts catalogue code
				J	K	M		
			STRIPE, R. FUEL TANK COVER *TYPE1*.....	-	-	0	86641-K0E-D00ZE	2BA, BA
	9		STRIPE, L. FUEL TANK COVER *TYPE5*.....	-	-	0	86642-K0E-D00ZA	2BA, BA
			STRIPE, L. FUEL TANK COVER *TYPE4*.....	-	-	0	86642-K0E-D00ZB	2BA, BA
			STRIPE, L. FUEL TANK COVER *TYPE3*.....	-	-	0	86642-K0E-D00ZC	2BA, BA
			STRIPE, L. FUEL TANK COVER *TYPE2*.....	-	-	0	86642-K0E-D00ZD	2BA, BA
			STRIPE, L. FUEL TANK COVER *TYPE1*.....	-	-	0	86642-K0E-D00ZE	2BA, BA
	10		STRIPE, R. RR. COWL *TYPE5*.....	-	-	0	86771-K0E-D00ZA	2BA, BA
			STRIPE, R. RR. COWL *TYPE4*.....	-	-	0	86771-K0E-D00ZB	2BA, BA
			STRIPE, R. RR. COWL *TYPE3*.....	-	-	0	86771-K0E-D00ZC	2BA, BA
			STRIPE, R. RR. COWL *TYPE2*.....	-	-	0	86771-K0E-D00ZD	2BA, BA
			STRIPE, R. RR. COWL *TYPE1*.....	-	-	0	86771-K0E-D00ZE	2BA, BA
	11		STRIPE, L. RR. COWL *TYPE5*.....	-	-	0	86772-K0E-D00ZA	2BA, BA
			STRIPE, L. RR. COWL *TYPE4*.....	-	-	0	86772-K0E-D00ZB	2BA, BA
			STRIPE, L. RR. COWL *TYPE3*.....	-	-	0	86772-K0E-D00ZC	2BA, BA
			STRIPE, L. RR. COWL *TYPE2*.....	-	-	0	86772-K0E-D00ZD	2BA, BA
			STRIPE, L. RR. COWL *TYPE1*.....	-	-	0	86772-K0E-D00ZE	2BA, BA

## PARTS CATALOGUE NEWS

BOOKNo. :18KOEJD2

Block No.	Ref. No.	Part No.	Description	Reqd. QTY			Base Part No.	Parts catalogue code
				J	CBF160FS K	M		
	13	86421-K0E-B20ZA	STRIPE, WHEEL *TYPE5*.....	-	-	4	2BA, BA	
		86421-K0E-B20ZB	STRIPE, WHEEL *TYPE4*.....	-	-	4	86421-K0E-D20ZA 2BA, BA	
		86421-K0E-B20ZC	STRIPE, WHEEL *TYPE3*.....	-	-	4	86421-K0E-D20ZB 2BA, BA	
		86421-K0E-B20ZD	STRIPE, WHEEL *TYPE2*.....	-	-	4	86421-K0E-D20ZC 2BA, BA	
		86421-K0E-B20ZE	STRIPE, WHEEL *TYPE1*.....	-	-	4	86421-K0E-D20ZD 2BA, BA	
	16	86503-K0E-B20ZA	STRIPE A, R. SHROUD GARNISH *TYPE1*.....	-	-	1	2BA, BA	
		86503-K0E-D50ZA	STRIPE A, R. SHROUD GARNISH *TYPE6*.....	-	-	1	2BA, BA	
		86503-K0E-D50ZB	STRIPE A, R. SHROUD GARNISH *TYPE5*.....	-	-	1	2BA, BA	
		86503-K0E-D50ZD	STRIPE A, R. SHROUD GARNISH *TYPE3*.....	-	-	1	2BA, BA	
		86503-K0E-D50ZE	STRIPE A, R. SHROUD GARNISH *TYPE2*.....	-	-	1	2BA, BA	
		86503-K0E-D50ZF	STRIPE A, R. SHROUD GARNISH *TYPE1*.....	-	-	1	2BA, BA	
	17	86504-K0E-B20ZA	STRIPE A, L. SHROUD GARNISH *TYPE1*.....	-	-	1	2BA, BA	
		86504-K0E-D50ZA	STRIPE A, L. SHROUD GARNISH *TYPE6*.....	-	-	1	2BA, BA	
		86504-K0E-D50ZB	STRIPE A, L. SHROUD GARNISH *TYPE5*.....	-	-	1	2BA, BA	
		86504-K0E-D50ZD	STRIPE A, L. SHROUD GARNISH *TYPE3*.....	-	-	1	2BA, BA	
		86504-K0E-D50ZE	STRIPE A, L. SHROUD GARNISH *TYPE2*.....	-	-	1	2BA, BA	

## PARTS CATALOGUE NEWS

BOOKNo. : 18KOEJD2

Block No.	Ref. No.	Part No.	Description	Reqd. QTY			Base Part No.	Parts catalogue code
				J	K	M		
		86504-K0E-D50ZF	STRIPE A, L. SHROUD GARNISH *TYPE1*.....	-	-	1	2BA, BA	
18		86505-K0E-B20ZA	STRIPE B, R. SHROUD GARNISH *TYPE1*.....	-	-	1	2BA, BA	
		86505-K0E-D50ZA	STRIPE B, R. SHROUD GARNISH *TYPE6*.....	-	-	1	2BA, BA	
		86505-K0E-D50ZB	STRIPE B, R. SHROUD GARNISH *TYPE5*.....	-	-	1	2BA, BA	
		86505-K0E-D50ZD	STRIPE B, R. SHROUD GARNISH *TYPE3*.....	-	-	1	2BA, BA	
		86505-K0E-D50ZE	STRIPE B, R. SHROUD GARNISH *TYPE2*.....	-	-	1	2BA, BA	
		86505-K0E-D50ZF	STRIPE B, R. SHROUD GARNISH *TYPE1*.....	-	-	1	2BA, BA	
19		86506-K0E-B20ZA	STRIPE B, L. SHROUD GARNISH *TYPE1*.....	-	-	1	2BA, BA	
		86506-K0E-D50ZA	STRIPE B, L. SHROUD GARNISH *TYPE6*.....	-	-	1	2BA, BA	
		86506-K0E-D50ZB	STRIPE B, L. SHROUD GARNISH *TYPE5*.....	-	-	1	2BA, BA	
		86506-K0E-D50ZD	STRIPE B, L. SHROUD GARNISH *TYPE3*.....	-	-	1	2BA, BA	
		86506-K0E-D50ZE	STRIPE B, L. SHROUD GARNISH *TYPE2*.....	-	-	1	2BA, BA	
		86506-K0E-D50ZF	STRIPE B, L. SHROUD GARNISH *TYPE1*.....	-	-	1	2BA, BA	
20		86507-K0E-B20ZA	STRIPE C, R. SHROUD GARNISH *TYPE1*.....	-	-	1	2BA, BA	
		86507-K0E-D50ZA	STRIPE C, R. SHROUD GARNISH *TYPE6*.....	-	-	1	2BA, BA	
		86507-K0E-D50ZB	STRIPE C, R. SHROUD GARNISH *TYPE5*.....	-	-	1	2BA, BA	

## PARTS CATALOGUE NEWS

BOOKNo. : 18KOEJD2

Block No.	Ref. No.	Part No.	Description	Reqd. QTY			Base Part No.	Parts catalogue code
				J	K	M		
		86507-K0E-D50ZD	STRIPE C, R. SHROUD GARNISH *TYPE3*.....	-	-	1	2BA, BA	
		86507-K0E-D50ZE	STRIPE C, R. SHROUD GARNISH *TYPE2*.....	-	-	1	2BA, BA	
		86507-K0E-D50ZF	STRIPE C, R. SHROUD GARNISH *TYPE1*.....	-	-	1	2BA, BA	
21		86508-K0E-B20ZA	STRIPE C, L. SHROUD GARNISH *TYPE1*.....	-	-	1	2BA, BA	
		86508-K0E-D50ZA	STRIPE C, L. SHROUD GARNISH *TYPE6*.....	-	-	1	2BA, BA	
		86508-K0E-D50ZB	STRIPE C, L. SHROUD GARNISH *TYPE5*.....	-	-	1	2BA, BA	
		86508-K0E-D50ZD	STRIPE C, L. SHROUD GARNISH *TYPE3*.....	-	-	1	2BA, BA	
		86508-K0E-D50ZE	STRIPE C, L. SHROUD GARNISH *TYPE2*.....	-	-	1	2BA, BA	
		86508-K0E-D50ZF	STRIPE C, L. SHROUD GARNISH *TYPE1*.....	-	-	1	2BA, BA	
22		86641-K0E-B20ZA	STRIPE, R. FUEL TANK COVER *TYPE1*.....	-	-	1	2BA, BA	
		86641-K0E-D50ZA	STRIPE, R. FUEL TANK COVER *TYPE6*.....	-	-	1	2BA, BA	
		86641-K0E-D50ZB	STRIPE, R. FUEL TANK COVER *TYPE5*.....	-	-	1	2BA, BA	
		86641-K0E-D50ZD	STRIPE, R. FUEL TANK COVER *TYPE3*.....	-	-	1	2BA, BA	
		86641-K0E-D50ZE	STRIPE, R. FUEL TANK COVER *TYPE2*.....	-	-	1	2BA, BA	
		86641-K0E-D50ZF	STRIPE, R. FUEL TANK COVER *TYPE1*.....	-	-	1	2BA, BA	
23		86642-K0E-B20ZA	STRIPE, L. FUEL TANK COVER *TYPE1*.....	-	-	1	2BA, BA	



PARTS CATALOGUE NEWS

BOOKNo. : 18KOEJD2

Block No.	Ref. No.	Part No.	Description	Reqd. QTY			Base Part No.	Parts catalogue code
				J	K	M		
		86642-K0E-D50ZA	STRIPE, L. FUEL TANK COVER *TYPE6*.....	-	-	1	2BA, BA	
		86642-K0E-D50ZB	STRIPE, L. FUEL TANK COVER *TYPE5*.....	-	-	1	2BA, BA	
		86642-K0E-D50ZD	STRIPE, L. FUEL TANK COVER *TYPE3*.....	-	-	1	2BA, BA	
		86642-K0E-D50ZE	STRIPE, L. FUEL TANK COVER *TYPE2*.....	-	-	1	2BA, BA	
		86642-K0E-D50ZF	STRIPE, L. FUEL TANK COVER *TYPE1*.....	-	-	1	2BA, BA	



# PARTS CATALOGUE NEWS

Honda Motor Co., Ltd.

CODE NO.	18K0EJD2
PARTS CATALOGUE NEWS	CBF160FS CBF160FS J CBF160FS K CBF160FS M
NEWS NO.	013

## NEW MODEL CBF160FSM-3CO,CO AND LA TYPES COMPONENT PARTS-MARKETED

This Parts News CBF160FSM-3CO,CO and LA types parts exclusively and respectively are based CBF160FSM-3CL,CL and BA types listed on the CBF160FS Parts Catalogue.

All other parts not listed herein are the same as CBF160FSM-3CL,CL and BA types parts.

Model	Area code	Type	Applicable engine serial No.	Applicable frame serial No.	Applicable carburetor identification No.
CBF160FSM	LA	Latin America			6BK A

Model	Area code	Type	Applicable engine serial No.	Applicable frame serial No.	Applicable throttle body identification No.
CBF160FSM	3CO	Colombia			GQMEB A
	CO				

PARTS CATALOGUE NEWS

BOOKNo. : 18K0EJD2

CBF160FS (CBF160FSM).....3CO

No.	MODEL		CBF160FSM							
	COLOR		Mat axis gray metallic	Pearl spartan red 2	Mat marvel blue metallic	Pearl igneous black	Applicable model		Applicable block No.	Ref. No.
	CODE		NH-303M	R-392P	B-227M	NH-B05P				
	Name of colored parts	Basic part No.	NH303	R392	B227	NHB05	Initial applicable model	Final applicable model		
1	COVER ASSY. B, FUEL TANK CENTER	64440-K0E-D00	ZE	ZB	ZB	ZC			F-21-20	14
2	COVER ASSY., L. FUEL TANK	64425-K0E-D50	ZF	ZE	ZD	ZC			F-21-20	11
3	COVER ASSY., R. FUEL TANK	64415-K0E-D50	ZF	ZE	ZD	ZC			F-21-20	8
4	COVER, L. FR. FORK	61125-K0E-D20	ZA	ZA	ZA	ZA			F-11	31
5	COVER, R. FR. FORK	61115-K0E-D20	ZA	ZA	ZA	ZA			F-11	30
6	COWL SET, R. RR.	77270-K0E-C00	ZA	ZA	ZA	ZA			F-23-10	4
7	COWL, L. RR.	77281-K0E-D00	ZA	ZA	ZA	ZA			F-23-10	5
8	COWL, L. UNDER	64312-K0E-D50	ZA	ZA	ZA	ZA			F-45-1	4
9	COWL, R. UNDER	64311-K0E-D50	ZA	ZA	ZA	ZA			F-45-1	3
10	FENDER A, FR.	61111-K0E-D00	ZH	ZG	ZE	ZC			F-10	4
11	FENDER SET A, RR.	80110-K0E-D00	ZA	ZA	ZA	ZA			F-34	2
12	FENDER SET B, FR.	61112-K0E-D20	ZA	ZA	ZA	ZA			F-10	10
13	FLANGE SUB ASSY., FINAL DRIVEN	42615-K0E-D20	ZA	ZA	ZA	ZA			F-19-40	6
14	GARNISH, L. FR.	61315-K0E-D00	ZH	ZG	ZA	ZC			F-43	4
15	GARNISH, R. FR.	61305-K0E-D00	ZH	ZG	ZA	ZC			F-43	3
16	GRIP, L. RR.	50450-K0E-D50	ZD	ZE	ZE	ZB			F-23	2
17	GRIP, R. RR.	50400-K0E-D50	ZD	ZE	ZE	ZB			F-23	1
18	HOLDER, HANDLE UPPER	53131-K0E-D00	ZA	ZA	ZA	ZA			F-7	6
19	HOLDER, L. HANDLE LOWER	53142-K0E-D00	ZA	ZA	ZA	ZA			F-7	8
20	HOLDER, R. HANDLE LOWER	53132-K0E-D00	ZA	ZA	ZA	ZA			F-7	7
21	MARK, ABS	86611-K0E-D20	ZA	ZA	ZA	ZA			F-50	14
22	MARK, HET	86833-K55-600	ZA	ZA	ZA	ZA			F-50	25
23	MARK, HONDA	86101-K67-900	ZA	ZA	ZA	ZA			F-50	1
24	MARK, HONDA	86102-K43-900	ZA	ZA	ZA	ZA			F-50	2

PARTS CATALOGUE NEWS

BOOKNo. :18K0EJD2

CBF160FS (CBF160FSM).....3CO

No.	MODEL		CBF160FSM							
	COLOR		Mat axis gray metallic	Pearl spartan red 2	Mat marvel blue metallic	Pearl igneous black	Applicable model		Applicable block No.	Ref. No.
	CODE		NH-303M	R-392P	B-227M	NH-B05P				
	Name of colored parts	Basic part No.	NH303	R392	B227	NHB05	Initial applicable model	Final applicable model		
25	MIRROR COMP., L.	88220-K38-941	ZA	ZA	ZA	ZA			F-3	3
26	MIRROR COMP., R.	88210-K38-941	ZA	ZA	ZA	ZA			F-3	2
27	PIPE, STEERING HANDLE	53100-K0E-D00	ZA	ZA	ZA	ZA			F-7	5
28	SHROUD SET, L. GARNISH	50250-K0E-D50	ZF	ZE	ZD	ZC			F-21-20	2
29	SHROUD SET, R. GARNISH	50240-K0E-D50	ZF	ZE	ZD	ZC			F-21-20	1
30	STRIPE A, L. SHROUD GARNISH	86504-K0E-D50	ZF	ZE	ZD	ZC			F-50	17
31	STRIPE A, R. SHROUD GARNISH	86503-K0E-D50	ZF	ZE	ZD	ZC			F-50	16
32	STRIPE B, L. SHROUD GARNISH	86506-K0E-D50	ZF	ZE	ZD	ZC			F-50	19
33	STRIPE B, R. SHROUD GARNISH	86505-K0E-D50	ZF	ZE	ZD	ZC			F-50	18
34	STRIPE C, L. SHROUD GARNISH	86508-K0E-D50	ZF	ZE	ZD	ZC			F-50	21
35	STRIPE C, R. SHROUD GARNISH	86507-K0E-D50	ZF	ZE	ZD	ZC			F-50	20
36	STRIPE, L. FUEL TANK COVER	86642-K0E-D50	ZF	ZE	ZD	ZC			F-50	23
37	STRIPE, R. FUEL TANK COVER	86641-K0E-D50	ZF	ZE	ZD	ZC			F-50	22
38	STRIPE, WHEEL	86421-K0E-D50	ZE	ZE	ZD	ZC			F-50	13
39	VISOR SET, FR.	61300-K0E-D00	ZA	ZA	ZA	ZA			F-43	1
40	WHEEL SUB ASSY., FR.	44650-K0E-D50	ZK	ZK	ZJ	ZH			F-14-40	16
41	WHEEL SUB ASSY., RR.	42650-K0E-D70	ZK	ZK	ZJ	ZH			F-19-40	9

## PARTS CATALOGUE NEWS

BOOKNo. : 18K0EJD2

## CBF160FS (CBF160FSM).....3CO

No.	MODEL		CBF160FSM					
	COLOR		Mat marshal green metallic 2	Mat marmalade orange metallic	Applicable model		Applicable block No.	Ref. No.
	CODE		GY-156M	YR-371M	Initial applicable model	Final applicable model		
	Name of colored parts	Basic part No.	GY156	YR371				
1	COVER ASSY. B, FUEL TANK CENTER	64440-K0E-D00	ZF	ZB			F-21-20	14
2	COVER ASSY., L. FUEL TANK	64425-K0E-D50	ZB	ZA			F-21-20	11
3	COVER ASSY., R. FUEL TANK	64415-K0E-D50	ZB	ZA			F-21-20	8
4	COVER, L. FR. FORK	61125-K0E-D20	ZA	ZA			F-11	31
5	COVER, R. FR. FORK	61115-K0E-D20	ZA	ZA			F-11	30
6	COWL SET, R. RR.	77270-K0E-C00	ZA	ZA			F-23-10	4
7	COWL, L. RR.	77281-K0E-D00	ZA	ZA			F-23-10	5
8	COWL, L. UNDER	64312-K0E-D50	ZA	ZA			F-45-1	4
9	COWL, R. UNDER	64311-K0E-D50	ZA	ZA			F-45-1	3
10	FENDER A, FR.	61111-K0E-D00	ZJ	ZF			F-10	4
11	FENDER SET A, RR.	80110-K0E-D00	ZA	ZA			F-34	2
12	FENDER SET B, FR.	61112-K0E-D20	ZA	ZA			F-10	10
13	FLANGE SUB ASSY., FINAL DRIVEN	42615-K0E-D20	ZA	ZA			F-19-40	6
14	GARNISH, L. FR.	61315-K0E-D00	ZJ	ZF			F-43	4
15	GARNISH, R. FR.	61305-K0E-D00	ZJ	ZF			F-43	3
16	GRIP, L. RR.	50450-K0E-D50	ZE	ZA			F-23	2
17	GRIP, R. RR.	50400-K0E-D50	ZE	ZA			F-23	1
18	HOLDER, HANDLE UPPER	53131-K0E-D00	ZA	ZA			F-7	6
19	HOLDER, L. HANDLE LOWER	53142-K0E-D00	ZA	ZA			F-7	8
20	HOLDER, R. HANDLE LOWER	53132-K0E-D00	ZA	ZA			F-7	7
21	MARK, ABS	86611-K0E-D20	ZA	ZA			F-50	14
22	MARK, HET	86833-K55-600	ZA	ZA			F-50	25
23	MARK, HONDA	86101-K67-900	ZA	ZA			F-50	1
24	MARK, HONDA	86102-K43-900	ZA	ZA			F-50	2

PARTS CATALOGUE NEWS

BOOKNo. : 18K0EJD2

CBF160FS (CBF160FSM).....3CO

No.	MODEL		CBF160FSM					
	COLOR		Mat marshal green metallic 2	Mat marmalade orange metallic	Applicable model		Applicable block No.	Ref. No.
	CODE		GY-156M	YR-371M	Initial applicable model	Final applicable model		
	Name of colored parts	Basic part No.	GY156	YR371				
25	MIRROR COMP., L.	88220-K38-941	ZA	ZA			F-3	3
26	MIRROR COMP., R.	88210-K38-941	ZA	ZA			F-3	2
27	PIPE, STEERING HANDLE	53100-K0E-D00	ZA	ZA			F-7	5
28	SHROUD SET, L. GARNISH	50250-K0E-D50	ZB	ZA			F-21-20	2
29	SHROUD SET, R. GARNISH	50240-K0E-D50	ZB	ZA			F-21-20	1
30	STRIPE A, L. SHROUD GARNISH	86504-K0E-D50	ZB	ZA			F-50	17
31	STRIPE A, R. SHROUD GARNISH	86503-K0E-D50	ZB	ZA			F-50	16
32	STRIPE B, L. SHROUD GARNISH	86506-K0E-D50	ZB	ZA			F-50	19
33	STRIPE B, R. SHROUD GARNISH	86505-K0E-D50	ZB	ZA			F-50	18
34	STRIPE C, L. SHROUD GARNISH	86508-K0E-D50	ZB	ZA			F-50	21
35	STRIPE C, R. SHROUD GARNISH	86507-K0E-D50	ZB	ZA			F-50	20
36	STRIPE, L. FUEL TANK COVER	86642-K0E-D50	ZB	ZA			F-50	23
37	STRIPE, R. FUEL TANK COVER	86641-K0E-D50	ZB	ZA			F-50	22
38	STRIPE, WHEEL	86421-K0E-D50	ZB	ZA			F-50	13
39	VISOR SET, FR.	61300-K0E-D00	ZA	ZA			F-43	1
40	WHEEL SUB ASSY., FR.	44650-K0E-D50	ZG	ZF			F-14-40	16
41	WHEEL SUB ASSY., RR.	42650-K0E-D70	ZG	ZF			F-19-40	9

PARTS CATALOGUE NEWS

BOOKNo. : 18K0EJD2

CBF160FS (CBF160FSM).....CO

No.	MODEL		CBF160FSM							
	COLOR		Mat axis gray metallic	Pearl spartan red 2	Mat marvel blue metallic	Pearl igneous black	Applicable model		Applicable block No.	Ref. No.
	CODE		NH-303M	R-392P	B-227M	NH-B05P				
	Name of colored parts	Basic part No.	NH303	R392	B227	NHB05	Initial applicable model	Final applicable model		
1	COVER ASSY. B, FUEL TANK CENTER	64440-K0E-D00	ZE	ZB	ZB	ZC			F-21-20	14
2	COVER ASSY., L. FUEL TANK	64425-K0E-D50	ZF	ZE	ZD	ZC			F-21-20	11
3	COVER ASSY., R. FUEL TANK	64415-K0E-D50	ZF	ZE	ZD	ZC			F-21-20	8
4	COVER, L. FR. FORK	61125-K0E-D20	ZA	ZA	ZA	ZA			F-11	31
5	COVER, R. FR. FORK	61115-K0E-D20	ZA	ZA	ZA	ZA			F-11	30
6	COWL SET, R. RR.	77270-K0E-C00	ZA	ZA	ZA	ZA			F-23-10	4
7	COWL, L. RR.	77281-K0E-D00	ZA	ZA	ZA	ZA			F-23-10	5
8	COWL, L. UNDER	64312-K0E-D50	ZA	ZA	ZA	ZA			F-45-1	4
9	COWL, R. UNDER	64311-K0E-D50	ZA	ZA	ZA	ZA			F-45-1	3
10	FENDER A, FR.	61111-K0E-D00	ZH	ZG	ZE	ZC			F-10	4
11	FENDER SET A, RR.	80110-K0E-D00	ZA	ZA	ZA	ZA			F-34	2
12	FENDER SET B, FR.	61112-K0E-D20	ZA	ZA	ZA	ZA			F-10	10
13	FLANGE SUB ASSY., FINAL DRIVEN	42615-K0E-D20	ZA	ZA	ZA	ZA			F-19-30	5
14	GARNISH, L. FR.	61315-K0E-D00	ZH	ZG	ZA	ZC			F-43	4
15	GARNISH, R. FR.	61305-K0E-D00	ZH	ZG	ZA	ZC			F-43	3
16	GRIP, L. RR.	50450-K0E-D50	ZD	ZE	ZE	ZB			F-23	2
17	GRIP, R. RR.	50400-K0E-D50	ZD	ZE	ZE	ZB			F-23	1
18	HOLDER, HANDLE UPPER	53131-K0E-D00	ZA	ZA	ZA	ZA			F-7	6
19	HOLDER, L. HANDLE LOWER	53142-K0E-D00	ZA	ZA	ZA	ZA			F-7	8
20	HOLDER, R. HANDLE LOWER	53132-K0E-D00	ZA	ZA	ZA	ZA			F-7	7
21	MARK, ABS	86611-K0E-D20	ZA	ZA	ZA	ZA			F-50	14
22	MARK, HET	86833-K55-600	ZA	ZA	ZA	ZA			F-50	25
23	MARK, HONDA	86101-K67-900	ZA	ZA	ZA	ZA			F-50	1
24	MARK, HONDA	86102-K43-900	ZA	ZA	ZA	ZA			F-50	2

PARTS CATALOGUE NEWS

BOOKNo. :18K0EJD2

CBF160FS (CBF160FSM).....CO

No.	MODEL		CBF160FSM							
	COLOR		Mat axis gray metallic	Pearl spartan red 2	Mat marvel blue metallic	Pearl igneous black	Applicable model		Applicable block No.	Ref. No.
	CODE		NH-303M	R-392P	B-227M	NH-B05P				
	Name of colored parts	Basic part No.	NH303	R392	B227	NHB05	Initial applicable model	Final applicable model		
25	MIRROR COMP., L.	88220-K38-941	ZA	ZA	ZA	ZA			F-3	3
26	MIRROR COMP., R.	88210-K38-941	ZA	ZA	ZA	ZA			F-3	2
27	PANEL COMP., RR. BRAKE	43100-KYE-910	ZB	ZB	ZB	ZB			F-18	2
28	PIPE, STEERING HANDLE	53100-K0E-D00	ZA	ZA	ZA	ZA			F-7	5
29	SHROUD SET, L. GARNISH	50250-K0E-D50	ZF	ZE	ZD	ZC			F-21-20	2
30	SHROUD SET, R. GARNISH	50240-K0E-D50	ZF	ZE	ZD	ZC			F-21-20	1
31	STRIPE A, L. SHROUD GARNISH	86504-K0E-D50	ZF	ZE	ZD	ZC			F-50	17
32	STRIPE A, R. SHROUD GARNISH	86503-K0E-D50	ZF	ZE	ZD	ZC			F-50	16
33	STRIPE B, L. SHROUD GARNISH	86506-K0E-D50	ZF	ZE	ZD	ZC			F-50	19
34	STRIPE B, R. SHROUD GARNISH	86505-K0E-D50	ZF	ZE	ZD	ZC			F-50	18
35	STRIPE C, L. SHROUD GARNISH	86508-K0E-D50	ZF	ZE	ZD	ZC			F-50	21
36	STRIPE C, R. SHROUD GARNISH	86507-K0E-D50	ZF	ZE	ZD	ZC			F-50	20
37	STRIPE, L. FUEL TANK COVER	86642-K0E-D50	ZF	ZE	ZD	ZC			F-50	23
38	STRIPE, R. FUEL TANK COVER	86641-K0E-D50	ZF	ZE	ZD	ZC			F-50	22
39	STRIPE, WHEEL	86421-K0E-D50	ZE	ZE	ZD	ZC			F-50	13
40	VISOR SET, FR.	61300-K0E-D00	ZA	ZA	ZA	ZA			F-43	1
41	WHEEL SUB ASSY., FR.	44650-K0E-D50	ZK	ZK	ZJ	ZH			F-14-40	16
42	WHEEL SUB ASSY., RR.	42650-K0E-D50	ZK	ZK	ZJ	ZH			F-19-30	19



## PARTS CATALOGUE NEWS

BOOKNo. : 18K0EJD2

## CBF160FS (CBF160FSM).....CO

No.	MODEL		CBF160FSM					
	COLOR		Mat marshal green metallic 2	Mat marmalade orange metallic	Applicable model		Applicable block No.	Ref. No.
	CODE		GY-156M	YR-371M	Initial applicable model	Final applicable model		
	Name of colored parts	Basic part No.	GY156	YR371				
1	COVER ASSY. B, FUEL TANK CENTER	64440-K0E-D00	ZF	ZB			F-21-20	14
2	COVER ASSY., L. FUEL TANK	64425-K0E-D50	ZB	ZA			F-21-20	11
3	COVER ASSY., R. FUEL TANK	64415-K0E-D50	ZB	ZA			F-21-20	8
4	COVER, L. FR. FORK	61125-K0E-D20	ZA	ZA			F-11	31
5	COVER, R. FR. FORK	61115-K0E-D20	ZA	ZA			F-11	30
6	COWL SET, R. RR.	77270-K0E-C00	ZA	ZA			F-23-10	4
7	COWL, L. RR.	77281-K0E-D00	ZA	ZA			F-23-10	5
8	COWL, L. UNDER	64312-K0E-D50	ZA	ZA			F-45-1	4
9	COWL, R. UNDER	64311-K0E-D50	ZA	ZA			F-45-1	3
10	FENDER A, FR.	61111-K0E-D00	ZJ	ZF			F-10	4
11	FENDER SET A, RR.	80110-K0E-D00	ZA	ZA			F-34	2
12	FENDER SET B, FR.	61112-K0E-D20	ZA	ZA			F-10	10
13	FLANGE SUB ASSY., FINAL DRIVEN	42615-K0E-D20	ZA	ZA			F-19-30	5
14	GARNISH, L. FR.	61315-K0E-D00	ZJ	ZF			F-43	4
15	GARNISH, R. FR.	61305-K0E-D00	ZJ	ZF			F-43	3
16	GRIP, L. RR.	50450-K0E-D50	ZE	ZA			F-23	2
17	GRIP, R. RR.	50400-K0E-D50	ZE	ZA			F-23	1
18	HOLDER, HANDLE UPPER	53131-K0E-D00	ZA	ZA			F-7	6
19	HOLDER, L. HANDLE LOWER	53142-K0E-D00	ZA	ZA			F-7	8
20	HOLDER, R. HANDLE LOWER	53132-K0E-D00	ZA	ZA			F-7	7
21	MARK, ABS	86611-K0E-D20	ZA	ZA			F-50	14
22	MARK, HET	86833-K55-600	ZA	ZA			F-50	25
23	MARK, HONDA	86101-K67-900	ZA	ZA			F-50	1
24	MARK, HONDA	86102-K43-900	ZA	ZA			F-50	2

PARTS CATALOGUE NEWS

BOOKNo. : 18K0EJD2

CBF160FS (CBF160FSM).....CO

No.	MODEL		CBF160FSM					
	COLOR		Mat marshal green metallic 2	Mat marmalade orange metallic	Applicable model		Applicable block No.	Ref. No.
	CODE		GY-156M	YR-371M	Initial applicable model	Final applicable model		
	Name of colored parts	Basic part No.	GY156	YR371				
25	MIRROR COMP., L.	88220-K38-941	ZA	ZA			F-3	3
26	MIRROR COMP., R.	88210-K38-941	ZA	ZA			F-3	2
27	PANEL COMP., RR. BRAKE	43100-KYE-910	ZB	ZB			F-18	2
28	PIPE, STEERING HANDLE	53100-K0E-D00	ZA	ZA			F-7	5
29	SHROUD SET, L. GARNISH	50250-K0E-D50	ZB	ZA			F-21-20	2
30	SHROUD SET, R. GARNISH	50240-K0E-D50	ZB	ZA			F-21-20	1
31	STRIPE A, L. SHROUD GARNISH	86504-K0E-D50	ZB	ZA			F-50	17
32	STRIPE A, R. SHROUD GARNISH	86503-K0E-D50	ZB	ZA			F-50	16
33	STRIPE B, L. SHROUD GARNISH	86506-K0E-D50	ZB	ZA			F-50	19
34	STRIPE B, R. SHROUD GARNISH	86505-K0E-D50	ZB	ZA			F-50	18
35	STRIPE C, L. SHROUD GARNISH	86508-K0E-D50	ZB	ZA			F-50	21
36	STRIPE C, R. SHROUD GARNISH	86507-K0E-D50	ZB	ZA			F-50	20
37	STRIPE, L. FUEL TANK COVER	86642-K0E-D50	ZB	ZA			F-50	23
38	STRIPE, R. FUEL TANK COVER	86641-K0E-D50	ZB	ZA			F-50	22
39	STRIPE, WHEEL	86421-K0E-D50	ZB	ZA			F-50	13
40	VISOR SET, FR.	61300-K0E-D00	ZA	ZA			F-43	1
41	WHEEL SUB ASSY., FR.	44650-K0E-D50	ZG	ZF			F-14-40	16
42	WHEEL SUB ASSY., RR.	42650-K0E-D50	ZG	ZF			F-19-30	19

PARTS CATALOGUE NEWS

BOOKNo. : 18K0EJD2

CBF160FS (CBF160FSM).....LA

No.	MODEL		CBF160FSM							
	COLOR		Mat frozen silver metallic	Pearl spartan red	Mat marvel blue metallic	Pearl igneous black	Applicable model		Applicable block No.	Ref. No.
	CODE		NH-C06M	R-382P	B-227M	NH-B05P	Initial applicable model	Final applicable model		
	Name of colored parts	Basic part No.	NHC06	R382	B227	NHB05				
1	COVER ASSY. B, FUEL TANK CENTER	64440-K0E-D00	ZB	ZB	ZB	ZA			F-21-20	14
2	COVER ASSY., L. FUEL TANK	64425-K0E-D00	ZE	ZD	ZC	ZB			F-21-20	11
3	COVER ASSY., R. FUEL TANK	64415-K0E-D00	ZE	ZD	ZC	ZB			F-21-20	8
4	COWL SET, L. RR.	77280-K0E-D00	ZE	ZD	ZC	ZB			F-23-10	5
5	COWL SET, R. RR.	77270-K0E-D00	ZE	ZD	ZC	ZB			F-23-10	4
6	COWL, L. UNDER	64320-K0E-D20	ZA	ZA	ZA	ZA			F-45	4
7	COWL, R. UNDER	64310-K0E-D20	ZA	ZA	ZA	ZA			F-45	3
8	FENDER A, FR.	61111-K0E-D00	ZB	ZA	ZE	ZC			F-10	4
9	FENDER SET A, RR.	80110-K0E-D00	ZA	ZA	ZA	ZA			F-34	2
10	FLANGE SUB ASSY., FINAL DRIVEN	42615-K0E-D00	ZB	ZB	ZB	ZB			F-19-30	5
11	GARNISH SET, L. FR.	61316-K0E-D00	ZE	ZD	ZC	ZB			F-43	4
12	GARNISH SET, R. FR.	61306-K0E-D00	ZE	ZD	ZC	ZB			F-43	3
13	GRIP, L. RR.	50450-K0E-D00	ZA	ZA	ZA	ZA			F-23	2
14	GRIP, R. RR.	50400-K0E-D00	ZA	ZA	ZA	ZA			F-23	1
15	HOLDER, HANDLE UPPER	53131-K0E-D00	ZA	ZA	ZA	ZA			F-7	6
16	HOLDER, L. HANDLE LOWER	53142-K0E-D00	ZA	ZA	ZA	ZA			F-7	8
17	HOLDER, R. HANDLE LOWER	53132-K0E-D00	ZA	ZA	ZA	ZA			F-7	7
18	MARK, HET BS 4	86833-K43-900	ZA	ZA	ZA	ZA			F-50	12
19	MARK, HONDA	86101-K67-900	ZA	ZA	ZA	ZA			F-50	1
20	MARK, HONDA	86102-K43-900	ZA	ZA	ZA	ZA			F-50	2
21	MIRROR COMP., L.	88220-K38-941	ZA	ZA	ZA	ZA			F-3	3
22	MIRROR COMP., R.	88210-K38-941	ZA	ZA	ZA	ZA			F-3	2
23	PANEL COMP., RR. BRAKE	43100-KYE-910	ZB	ZB	ZB	ZB			F-18	2
24	PIPE, STEERING HANDLE	53100-K0E-D00	ZA	ZA	ZA	ZA			F-7	5

PARTS CATALOGUE NEWS

BOOKNo. : 18K0EJD2

CBF160FS (CBF160FSM).....LA

No.	MODEL		CBF160FSM							
	COLOR		Mat frozen silver metallic	Pearl spartan red	Mat marvel blue metallic	Pearl igneous black	Applicable model		Applicable block No.	Ref. No.
	CODE		NH-C06M	R-382P	B-227M	NH-B05P				
	Name of colored parts	Basic part No.	NHC06	R382	B227	NHB05	Initial applicable model	Final applicable model		
25	SHROUD SET, L. GARNISH	50250-K0E-D00	ZF	ZF	ZF	ZF			F-21-20	2
26	SHROUD SET, R. GARNISH	50240-K0E-D00	ZF	ZF	ZF	ZF			F-21-20	1
27	STRIPE, L. FR. GARNISH	86614-K0E-D00	ZE	ZD	ZC	ZB			F-50	7
28	STRIPE, L. FUEL TANK COVER	86642-K0E-D00	ZE	ZD	ZC	ZB			F-50	9
29	STRIPE, L. RR. COWL	86772-K0E-D00	ZE	ZD	ZC	ZB			F-50	11
30	STRIPE, R. FR. GARNISH	86613-K0E-D00	ZE	ZD	ZC	ZB			F-50	6
31	STRIPE, R. FUEL TANK COVER	86641-K0E-D00	ZE	ZD	ZC	ZB			F-50	8
32	STRIPE, R. RR. COWL	86771-K0E-D00	ZE	ZD	ZC	ZB			F-50	10
33	STRIPE, SHROUD GARNISH	86501-K0E-D00	ZA	ZA	ZA	ZA			F-50	5
34	VISOR SET, FR.	61300-K0E-D00	ZA	ZA	ZA	ZA			F-43	1
35	WHEEL SUB ASSY., FR.	44650-K0E-D00	ZA	ZA	ZA	ZA			F-14-40	6
36	WHEEL SUB ASSY., RR.	42650-K0E-D00	ZA	ZA	ZA	ZA			F-19-30	8

PARTS CATALOGUE NEWS

BOOKNo. : 18K0EJD2

CBF160FS (CBF160FSM).....LA

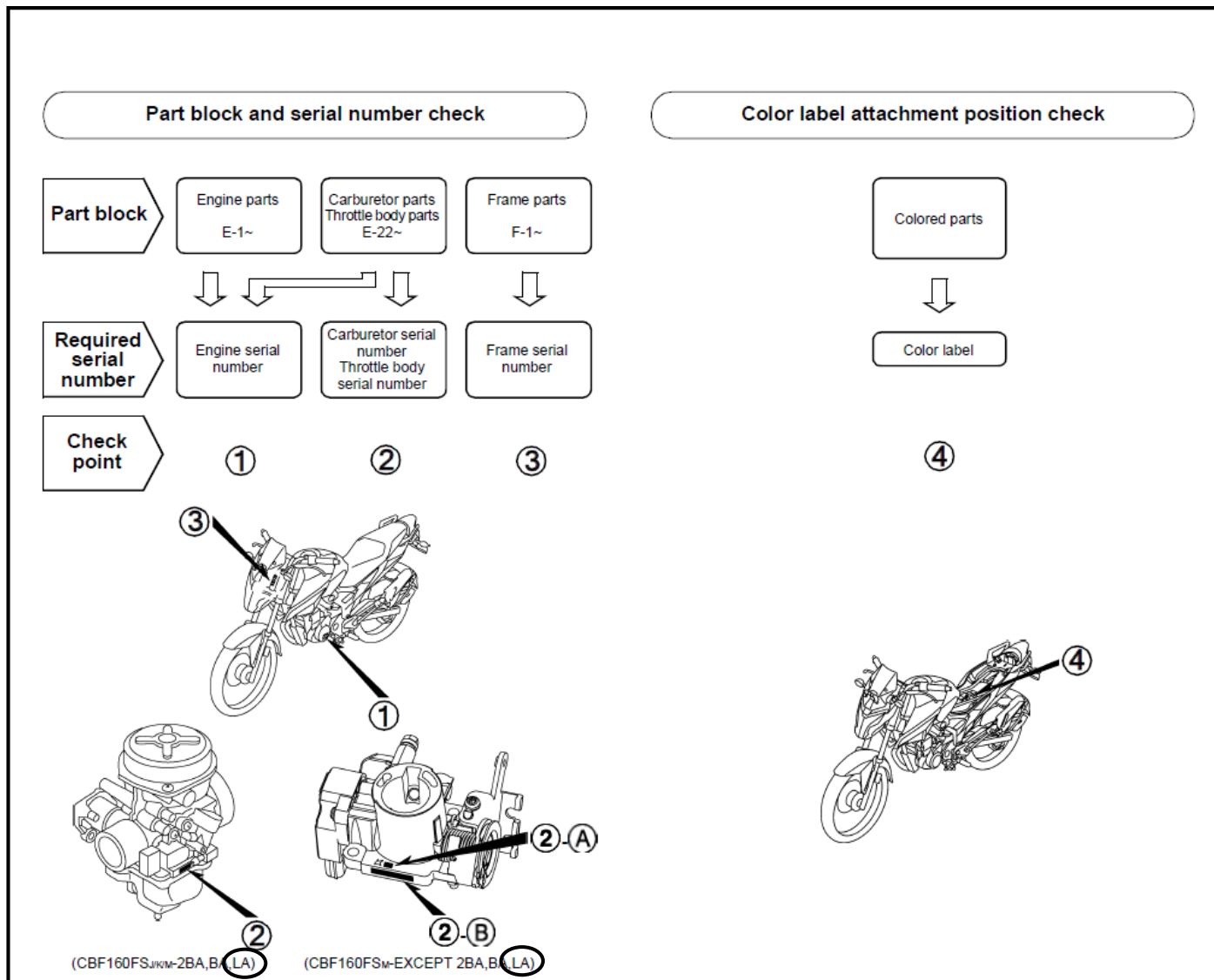
No.	MODEL		CBF160FSM				
	COLOR		Mat marshal green metallic  GY-155M	Applicable model		Applicable block No.	Ref. No.
	CODE			GY155	Initial applicable model		
	Name of colored parts	Basic part No.					
1	COVER ASSY. B, FUEL TANK CENTER	64440-K0E-D00	ZB			F-21-20	14
2	COVER ASSY., L. FUEL TANK	64425-K0E-D00	ZA			F-21-20	11
3	COVER ASSY., R. FUEL TANK	64415-K0E-D00	ZA			F-21-20	8
4	COWL SET, L. RR.	77280-K0E-D00	ZA			F-23-10	5
5	COWL SET, R. RR.	77270-K0E-D00	ZA			F-23-10	4
6	COWL, L. UNDER	64320-K0E-D20	ZA			F-45	4
7	COWL, R. UNDER	64310-K0E-D20	ZA			F-45	3
8	FENDER A, FR.	61111-K0E-D00	ZD			F-10	4
9	FENDER SET A, RR.	80110-K0E-D00	ZA			F-34	2
10	FLANGE SUB ASSY., FINAL DRIVEN	42615-K0E-D00	ZB			F-19-30	5
11	GARNISH SET, L. FR.	61316-K0E-D00	ZA			F-43	4
12	GARNISH SET, R. FR.	61306-K0E-D00	ZA			F-43	3
13	GRIP, L. RR.	50450-K0E-D00	ZA			F-23	2
14	GRIP, R. RR.	50400-K0E-D00	ZA			F-23	1
15	HOLDER, HANDLE UPPER	53131-K0E-D00	ZA			F-7	6
16	HOLDER, L. HANDLE LOWER	53142-K0E-D00	ZA			F-7	8
17	HOLDER, R. HANDLE LOWER	53132-K0E-D00	ZA			F-7	7
18	MARK, HET BS 4	86833-K43-900	ZA			F-50	12
19	MARK, HONDA	86101-K67-900	ZA			F-50	1
20	MARK, HONDA	86102-K43-900	ZA			F-50	2
21	MIRROR COMP., L.	88220-K38-941	ZA			F-3	3
22	MIRROR COMP., R.	88210-K38-941	ZA			F-3	2
23	PANEL COMP., RR. BRAKE	43100-KYE-910	ZB			F-18	2
24	PIPE, STEERING HANDLE	53100-K0E-D00	ZA			F-7	5

PARTS CATALOGUE NEWS

BOOKNo. : 18K0EJD2

CBF160FS (CBF160FSM).....LA

No.	MODEL		CBF160FSM				
	COLOR		Mat marshal green metallic  GY-155M	Applicable model		Applicable block No.	Ref. No.
	CODE			GY155	Initial applicable model		
	Name of colored parts	Basic part No.					
25	SHROUD SET, L. GARNISH	50250-K0E-D00	ZF			F-21-20	2
26	SHROUD SET, R. GARNISH	50240-K0E-D00	ZF			F-21-20	1
27	STRIPE, L. FR. GARNISH	86614-K0E-D00	ZA			F-50	7
28	STRIPE, L. FUEL TANK COVER	86642-K0E-D00	ZA			F-50	9
29	STRIPE, L. RR. COWL	86772-K0E-D00	ZA			F-50	11
30	STRIPE, R. FR. GARNISH	86613-K0E-D00	ZA			F-50	6
31	STRIPE, R. FUEL TANK COVER	86641-K0E-D00	ZA			F-50	8
32	STRIPE, R. RR. COWL	86771-K0E-D00	ZA			F-50	10
33	STRIPE, SHROUD GARNISH	86501-K0E-D00	ZA			F-50	5
34	VISOR SET, FR.	61300-K0E-D00	ZA			F-43	1
35	WHEEL SUB ASSY., FR.	44650-K0E-D00	ZA			F-14-40	6
36	WHEEL SUB ASSY., RR.	42650-K0E-D00	ZA			F-19-30	8



PARTS CATALOGUE NEWS

BOOKNo. :18KOEJD2

Block No.	Ref. No.	Part No.	Description	Reqd. QTY			Base Part No.	Parts catalogue code	
				J	K	M			
F-3	2	88210-K38-941ZA	MIRROR COMP., R. *NH1*.....BLACK	-	-	1	88210-K74-H11ZE	300,00	
	3	88220-K38-941ZA	MIRROR COMP., L. *NH1*.....BLACK	-	-	1	88220-K74-H11ZE	300,00	
F-10	4	61111-K0E-D00ZA	FENDER A, FR. *R382P*....PEARL SPARTAN RED	-	-	1		LA	
		61111-K0E-D00ZB	FENDER A, FR. *NHCO6M*. MAT FROZEN SILVER METALLIC	-	-	1		LA	
		61111-K0E-D00ZD	FENDER A, FR. *GY155M*. MAT MARSHAL GREEN METALLIC	-	-	1		LA	
			FENDER A, FR. *YR371M*. MAT MARMALADE ORANGE METALLIC	-	-	0	61111-K0E-D00ZF	LA	
			FENDER A, FR. *R392P*...PEARL SPARTAN RED 2	-	-	0	61111-K0E-D00ZG	LA	
			FENDER A, FR. *NH303M*. MAT AXIS GRAY METALLIC	-	-	0	61111-K0E-D00ZH	LA	
			FENDER A, FR. *GY156M*. MAT MARSHAL GREEN METALLIC 2	-	-	0	61111-K0E-D00ZJ	LA	
		6	90130-K0E-D00	SCREW, PAN, 6X32.....	-	-	2		LA
		9	96001-06032-00	BOLT, FLANGE, 6X32.....	-	-	2		LA
	F-11	30		COVER, R. FR. FORK *NH303M*. MAT AXIS GRAY METALLIC	-	-	0	61115-K0E-D20ZA	LA
31			COVER, L. FR. FORK *NH303M*. MAT AXIS GRAY METALLIC	-	-	0	61125-K0E-D20ZA	LA	
32			SCREW, PAN, 6X36.....	-	-	0	90131-K0E-D20	LA	



## PARTS CATALOGUE NEWS

BOOKNo. :18KOEJD2

Block No.	Ref. No.	Part No.	Description	Reqd. QTY			Base Part No.	Parts catalogue code
				J	K	M		
F-14-40	6	44650-K0E-D00ZA	WHEEL SUB ASSY., FR. *NH303M* MAT AXIS GRAY METALLIC	-	-	1	LA	
	16		WHEEL SUB ASSY., FR. (WL) *TYPE5*.....	-	-	0	44650-K0E-B20ZA LA	
			WHEEL SUB ASSY., FR. (WL) *TYPE4*.....	-	-	0	44650-K0E-B20ZB LA	
			WHEEL SUB ASSY., FR. (WL) *TYPE3*.....	-	-	0	44650-K0E-B20ZC LA	
			WHEEL SUB ASSY., FR. (WL) *TYPE2*.....	-	-	0	44650-K0E-B20ZD LA	
			WHEEL SUB ASSY., FR. (WL) *TYPE1*.....	-	-	0	44650-K0E-B20ZE LA	
F-19-30	5	42615-K0E-D00ZB	FLANGE SUB ASSY., FINAL DRIVEN *NH105*...MAT BLACK (#15-#20)	-	-	1	42615-K0E-D20ZA LA	
	8	42650-K0E-D00ZA	WHEEL SUB ASSY., RR. *NH303M* MAT AXIS GRAY METALLIC	-	-	1	LA	
	19		WHEEL SUB ASSY., RR. (WL) *TYPE5*.....	-	-	0	42650-K0E-B20ZA LA	
			WHEEL SUB ASSY., RR. (WL) *TYPE4*.....	-	-	0	42650-K0E-B20ZB LA	
			WHEEL SUB ASSY., RR. (WL) *TYPE3*.....	-	-	0	42650-K0E-B20ZC LA	
			WHEEL SUB ASSY., RR. (WL) *TYPE2*.....	-	-	0	42650-K0E-B20ZD LA	
		WHEEL SUB ASSY., RR. (WL) *TYPE1*.....	-	-	0	42650-K0E-B20ZE LA		
F-21-20	1	50240-K0E-D00ZF	SHROUD SET, R. GARNISH (WL) *NHBO5P*...PEARL IGNEOUS BLACK	-	-	1	LA	
			SHROUD SET, R. GARNISH (WL) *TYPE6*.....	-	-	0	50240-K0E-B20ZA LA	

PARTS CATALOGUE NEWS

BOOKNo. :18KOEJD2

Block No.	Ref. No.	Part No.	Description	Reqd. QTY			Base Part No.	Parts catalogue code
				J	K	M		
			SHROUD SET, R. GARNISH (WL) *TYPE5*.....	-	-	0	50240-K0E-B20ZB	LA
			SHROUD SET, R. GARNISH (WL) *TYPE4*.....	-	-	0	50240-K0E-B20ZC	LA
			SHROUD SET, R. GARNISH (WL) *TYPE3*.....	-	-	0	50240-K0E-B20ZD	LA
			SHROUD SET, R. GARNISH (WL) *TYPE2*.....	-	-	0	50240-K0E-B20ZE	LA
			SHROUD SET, R. GARNISH (WL) *TYPE1*.....	-	-	0	50240-K0E-B20ZF	LA
	2	50250-K0E-D00ZF	SHROUD SET, L. GARNISH (WL) *NHB05P*.. PEARL IGNEOUS BLACK	-	-	1		LA
			SHROUD SET, L. GARNISH (WL) *TYPE6*.....	-	-	0	50250-K0E-B20ZA	LA
			SHROUD SET, L. GARNISH (WL) *TYPE5*.....	-	-	0	50250-K0E-B20ZB	LA
			SHROUD SET, L. GARNISH (WL) *TYPE4*.....	-	-	0	50250-K0E-B20ZC	LA
			SHROUD SET, L. GARNISH (WL) *TYPE3*.....	-	-	0	50250-K0E-B20ZD	LA
			SHROUD SET, L. GARNISH (WL) *TYPE2*.....	-	-	0	50250-K0E-B20ZE	LA
			SHROUD SET, L. GARNISH (WL) *TYPE1*.....	-	-	0	50250-K0E-B20ZF	LA
	8	64415-K0E-D00ZA	COVER ASSY., R. FUEL TANK (WL) *TYPE5*.....	-	-	1	64415-K0E-B20ZB	LA
		64415-K0E-D00ZB	COVER ASSY., R. FUEL TANK (WL) *TYPE4*.....	-	-	1	64415-K0E-B20ZC	LA
		64415-K0E-D00ZC	COVER ASSY., R. FUEL TANK (WL) *TYPE3*.....	-	-	1	64415-K0E-B20ZD	LA
		64415-K0E-D00ZD	COVER ASSY., R. FUEL TANK (WL) *TYPE2*.....	-	-	1	64415-K0E-B20ZE	LA

PARTS CATALOGUE NEWS

BOOKNo. :18KOEJD2

Block No.	Ref. No.	Part No.	Description	Reqd. QTY			Base Part No.	Parts catalogue code
				J	CBF160FS K	M		
		64415-K0E-D00ZE	COVER ASSY., R. FUEL TANK (WL) *TYPE1*.....	-	-	1	64415-K0E-B20ZF	LA
			COVER ASSY., R. FUEL TANK (WL) *TYPE6*.....	-	-	0	64415-K0E-B20ZA	LA
	11	64425-K0E-D00ZA	COVER ASSY., L. FUEL TANK (WL) *TYPE5*.....	-	-	1	64425-K0E-B20ZB	LA
		64425-K0E-D00ZB	COVER ASSY., L. FUEL TANK (WL) *TYPE4*.....	-	-	1	64425-K0E-B20ZC	LA
		64425-K0E-D00ZC	COVER ASSY., L. FUEL TANK (WL) *TYPE3*.....	-	-	1	64425-K0E-B20ZD	LA
		64425-K0E-D00ZD	COVER ASSY., L. FUEL TANK (WL) *TYPE2*.....	-	-	1	64425-K0E-B20ZE	LA
		64425-K0E-D00ZE	COVER ASSY., L. FUEL TANK (WL) *TYPE1*.....	-	-	1	64425-K0E-B20ZF	LA
			COVER ASSY., L. FUEL TANK (WL) *TYPE6*.....	-	-	0	64425-K0E-B20ZA	LA
	14	64440-K0E-D00ZA	COVER ASSY. B, FUEL TANK CENTER *R355M*. IMPERIAL RED METALLIC	-	-	1		LA
			COVER ASSY. B, FUEL TANK CENTER *NHBO6M*. SPACE SILVER METALLIC	-	-	0	64440-K0E-D00ZE	LA
			COVER ASSY. B, FUEL TANK CENTER *NHC56M*. FORCE SILVER METALLIC 2	-	-	0	64440-K0E-D00ZF	LA
	22	90677-KAN-T00	NUT, CLIP, 5MM.....	-	-	4	90654-KOL-D00	LA
F-23	1	50400-K0E-D00ZA	GRIP, R. RR. *NH105*...MAT BLACK (#15-#20)	-	-	1		LA
			GRIP, R. RR. *YR371M*. MAT MARMALADE ORANGE METALLIC	-	-	0	50400-K0E-D50ZA	LA

PARTS CATALOGUE NEWS

BOOKNo. :18KOEJD2

Block No.	Ref. No.	Part No.	Description	Reqd. QTY			Base Part No.	Parts catalogue code
				J	K	M		
			GRIP, R. RR. *NH303M*. MAT AXIS GRAY METALLIC	-	-	0	50400-K0E-D50ZD	LA
			GRIP, R. RR. *NHC56M*. FORCE SILVER METALLIC 2	-	-	0	50400-K0E-D50ZE	LA
			GRIP, R. RR. *NHB05P*..PEARL IGNEOUS BLACK	-	-	0	50400-K0E-D50ZF	LA
	2	50450-K0E-D00ZA	GRIP, L. RR. *NH105*..MAT BLACK (#15-#20)	-	-	1		LA
			GRIP, L. RR. *YR371M*. MAT MARMALADE ORANGE METALLIC	-	-	0	50450-K0E-D50ZA	LA
			GRIP, L. RR. *NH303M*. MAT AXIS GRAY METALLIC	-	-	0	50450-K0E-D50ZD	LA
			GRIP, L. RR. *NHC56M*. FORCE SILVER METALLIC 2	-	-	0	50450-K0E-D50ZE	LA
			GRIP, L. RR. *NHB05P*..PEARL IGNEOUS BLACK	-	-	0	50450-K0E-D50ZF	LA
F-23-10	4	77270-K0E-D00ZA	COWL SET, R. RR. (WL) *TYPE5*.....	-	-	1		LA
		77270-K0E-D00ZB	COWL SET, R. RR. (WL) *TYPE4*.....	-	-	1		LA
		77270-K0E-D00ZC	COWL SET, R. RR. (WL) *TYPE3*.....	-	-	1		LA
		77270-K0E-D00ZD	COWL SET, R. RR. (WL) *TYPE2*.....	-	-	1		LA
		77270-K0E-D00ZE	COWL SET, R. RR. (WL) *TYPE1*.....	-	-	1	77270-K0E-B20ZA	LA
	5	77280-K0E-D00ZA	COWL SET, L. RR. (WL) *TYPE5*.....	-	-	1		LA

PARTS CATALOGUE NEWS

BOOKNo. :18KOEJD2

Block No.	Ref. No.	Part No.	Description	Reqd. QTY			Base Part No.	Parts catalogue code
				J	CBF160FS K	M		
		77280-K0E-D00ZB	COWL SET, L. RR. (WL) *TYPE4*.....	-	-	1	LA	
		77280-K0E-D00ZC	COWL SET, L. RR. (WL) *TYPE3*.....	-	-	1	LA	
		77280-K0E-D00ZD	COWL SET, L. RR. (WL) *TYPE2*.....	-	-	1	LA	
		77280-K0E-D00ZE	COWL SET, L. RR. (WL) *TYPE1*.....	-	-	1	LA	
			COWL, L. RR. (WOL) *NH303M*..... MAT AXIS GRAY METALLIC	-	-	0	77281-K0E-D00ZA LA	
F-27	4	18300-K0E-D00	MUFFLER COMP., EX.....	-	-	1	18300-K0E-B20	LA
	7	18356-K0E-D00	COVER B, MUFFLER.....	-	-	1	18356-K0E-D50	LA
F-30	4	50640-K0E-D00	HOLDER, R. STEP.....	-	-	1	50640-K0E-D50	LA
	11	50740-K0E-D00	HOLDER, L. STEP.....	-	-	1	50740-K0E-D50	LA
	13	50711-K43-900	BAR, R. PILLION STEP.....	-	-	1	50711-K0E-D50	LA
	14	50712-K43-900	BAR, L. PILLION STEP.....	-	-	1	50712-K0E-D50	LA
	20	94101-06000	WASHER, PLAIN, 6MM.....	-	-	2	94102-08000	LA
	22	94201-16150	PIN, SPLIT, 1.6X15.....	-	-	2	94201-20150	LA
	24	90131-KWP-F00	PIN, PILLION STEP.....	-	-	2	50603-K0N-D00	LA
F-31	3	50526-K38-940	SHAFT, MAIN STAND.....	-	-	1	50526-K1K-D00	LA
F-34	21		STAY, RR. NUMBER PLATE.....	-	-	0	80141-K0E-C00	3C0, C0
	22		BOLT, FLANGE, 6X10.....	-	-	0	95701-06010-00	3C0, C0
F-38	3	30500-K0E-D01	COIL ASSY., IGNITION.....	-	-	1	30500-K0E-D41	LA
F-39	1	50100-K0E-D00	BODY COMP., FRAME.....	-	-	1	50100-K0E-B20	LA
	3	50212-K0E-D00	GUIDE, CLUTCH CABLE(A).....	-	-	1		LA
	9		GUARD, SARI.....	-	-	0	51103-K0E-D00	LA

PARTS CATALOGUE NEWS

BOOKNo. :18KOEJD2

Block No.	Ref. No.	Part No.	Description	Reqd. QTY			Base Part No.	Parts catalogue code
				J	K	M		
	10		COVER, SARI GUARD.....	-	-	0	51104-K0E-D00	LA
	11		PLATE, SARI GUARD.....	-	-	0	51105-K43-900	LA
	13		SCREW, TAPPING, 5X12.....	-	-	0	93903-25280	LA
	15	95701-06012-07	BOLT, FLANGE, 6X12.....	-	-	2		LA
	17		BOLT, FLANGE, 8X14.....	-	-	0	95701-08014-07	LA
	19		BOLT, FLANGE, 8X40.....	-	-	0	95701-08040-07	LA
F-43	3	61306-K0E-D00ZA	GARNISH SET, R. FR. (WL) *TYPE5*.....	-	-	1		LA
		61306-K0E-D00ZB	GARNISH SET, R. FR. (WL) *TYPE4*.....	-	-	1		LA
		61306-K0E-D00ZC	GARNISH SET, R. FR. (WL) *TYPE3*.....	-	-	1		LA
		61306-K0E-D00ZD	GARNISH SET, R. FR. (WL) *TYPE2*.....	-	-	1		LA
		61306-K0E-D00ZE	GARNISH SET, R. FR. (WL) *TYPE1*.....	-	-	1		LA
			GARNISH, R. FR. (WOL) *B227M* MAT MARVEL BLUE METALLIC	-	-	0	61305-K0E-D00ZA	LA
			GARNISH, R. FR. (WOL) *NH05P*.. PEARL IGNEOUS BLACK	-	-	0	61305-K0E-D00ZC	LA
			GARNISH, R. FR. (WOL) *YR371M* MAT MARMALADE ORANGE METALLIC	-	-	0	61305-K0E-D00ZF	LA
			GARNISH, R. FR. (WOL) *R392P*.. PEARL SPARTAN RED 2	-	-	0	61305-K0E-D00ZG	LA
			GARNISH, R. FR. (WOL) *NH303M* MAT AXIS GRAY METALLIC	-	-	0	61305-K0E-D00ZH	LA
			GARNISH, R. FR. (WOL) *GY156M* MAT MARSHAL GREEN METALLIC 2	-	-	0	61305-K0E-D00ZJ	LA

## PARTS CATALOGUE NEWS

BOOKNo. :18KOEJD2

Block No.	Ref. No.	Part No.	Description	Reqd. QTY			Base Part No.	Parts catalogue code
				J	K	M		
	4	61316-KOE-D00ZA	GARNISH SET, L. FR. (WL) *TYPE5*.....	-	-	1	61315-KOE-D00ZA	LA
		61316-KOE-D00ZB	GARNISH SET, L. FR. (WL) *TYPE4*.....	-	-	1	61315-KOE-D00ZC	LA
		61316-KOE-D00ZC	GARNISH SET, L. FR. (WL) *TYPE3*.....	-	-	1	61315-KOE-D00ZF	LA
		61316-KOE-D00ZD	GARNISH SET, L. FR. (WL) *TYPE2*.....	-	-	1	61315-KOE-D00ZG	LA
		61316-KOE-D00ZE	GARNISH SET, L. FR. (WL) *TYPE1*.....	-	-	1	61315-KOE-D00ZH	LA
			GARNISH, L. FR. (WOL) *B227M*. MAT MARVEL BLUE METALLIC	-	-	0	61315-KOE-D00ZJ	LA
			GARNISH, L. FR. (WOL) *NH805P*.. PEARL IGNEOUS BLACK	-	-	0		LA
			GARNISH, L. FR. (WOL) *YR371M*. MAT MARMALADE ORANGE METALLIC	-	-	0		LA
			GARNISH, L. FR. (WOL) *R392P*... PEARL SPARTAN RED 2	-	-	0		LA
			GARNISH, L. FR. (WOL) *NH303M*. MAT AXIS GRAY METALLIC	-	-	0		LA
			GARNISH, L. FR. (WOL) *GY156M*. MAT MARSHAL GREEN METALLIC 2	-	-	0		LA
F-49	1		LABEL, TIRE & DRIVE CHAIN.....	-	-	0	87505-KOE-D00	LA
	3	87509-KWS-840	LABEL, AIR CLEANER ELEMENT NOTICE (SPANISH)	-	-	1	87509-KWP-900	LA
	4	87560-K43-L00	LABEL, DRIVE (SPANISH).....	-	-	1	87560-K43-900	LA
	8	87505-KOE-C00	LABEL, TIRE & DRIVE CHAIN.....	-	-	1		LA
F-50	5	86501-KOE-D00ZA	STRIPE, SHROUD GARNISH *TYPE1*.....	-	-	2		LA

## PARTS CATALOGUE NEWS

BOOKNo. :18KOEJD2

Block No.	Ref. No.	Part No.	Description	Reqd. QTY			Base Part No.	Parts catalogue code
				J	CBF160FS K	M		
6		86613-K0E-D00ZA	STRIPE, R. FR. GARNISH *TYPE5*.....	-	-	1	LA	
		86613-K0E-D00ZB	STRIPE, R. FR. GARNISH *TYPE4*.....	-	-	1	LA	
		86613-K0E-D00ZC	STRIPE, R. FR. GARNISH *TYPE3*.....	-	-	1	LA	
		86613-K0E-D00ZD	STRIPE, R. FR. GARNISH *TYPE2*.....	-	-	1	LA	
		86613-K0E-D00ZE	STRIPE, R. FR. GARNISH *TYPE1*.....	-	-	1	LA	
7		86614-K0E-D00ZA	STRIPE, L. FR. GARNISH *TYPE5*.....	-	-	1	LA	
		86614-K0E-D00ZB	STRIPE, L. FR. GARNISH *TYPE4*.....	-	-	1	LA	
		86614-K0E-D00ZC	STRIPE, L. FR. GARNISH *TYPE3*.....	-	-	1	LA	
		86614-K0E-D00ZD	STRIPE, L. FR. GARNISH *TYPE2*.....	-	-	1	LA	
		86614-K0E-D00ZE	STRIPE, L. FR. GARNISH *TYPE1*.....	-	-	1	LA	
8		86641-K0E-D00ZA	STRIPE, R. FUEL TANK COVER *TYPE5*.....	-	-	1	LA	
		86641-K0E-D00ZB	STRIPE, R. FUEL TANK COVER *TYPE4*.....	-	-	1	LA	
		86641-K0E-D00ZC	STRIPE, R. FUEL TANK COVER *TYPE3*.....	-	-	1	LA	
		86641-K0E-D00ZD	STRIPE, R. FUEL TANK COVER *TYPE2*.....	-	-	1	LA	
		86641-K0E-D00ZE	STRIPE, R. FUEL TANK COVER *TYPE1*.....	-	-	1	LA	
9		86642-K0E-D00ZA	STRIPE, L. FUEL TANK COVER *TYPE5*.....	-	-	1	LA	



## PARTS CATALOGUE NEWS

BOOKNo. :18KOEJD2

Block No.	Ref. No.	Part No.	Description	Reqd. QTY			Base Part No.	Parts catalogue code
				J	K	M		
		86642-K0E-D00ZB	STRIPE, L. FUEL TANK COVER *TYPE4*.....	-	-	1		LA
		86642-K0E-D00ZC	STRIPE, L. FUEL TANK COVER *TYPE3*.....	-	-	1		LA
		86642-K0E-D00ZD	STRIPE, L. FUEL TANK COVER *TYPE2*.....	-	-	1		LA
		86642-K0E-D00ZE	STRIPE, L. FUEL TANK COVER *TYPE1*.....	-	-	1		LA
10		86771-K0E-D00ZA	STRIPE, R. RR. COWL *TYPE5*.....	-	-	1		LA
		86771-K0E-D00ZB	STRIPE, R. RR. COWL *TYPE4*.....	-	-	1		LA
		86771-K0E-D00ZC	STRIPE, R. RR. COWL *TYPE3*.....	-	-	1		LA
		86771-K0E-D00ZD	STRIPE, R. RR. COWL *TYPE2*.....	-	-	1		LA
		86771-K0E-D00ZE	STRIPE, R. RR. COWL *TYPE1*.....	-	-	1		LA
11		86772-K0E-D00ZA	STRIPE, L. RR. COWL *TYPE5*.....	-	-	1		LA
		86772-K0E-D00ZB	STRIPE, L. RR. COWL *TYPE4*.....	-	-	1		LA
		86772-K0E-D00ZC	STRIPE, L. RR. COWL *TYPE3*.....	-	-	1		LA
		86772-K0E-D00ZD	STRIPE, L. RR. COWL *TYPE2*.....	-	-	1		LA
		86772-K0E-D00ZE	STRIPE, L. RR. COWL *TYPE1*.....	-	-	1		LA
13			STRIPE, WHEEL *TYPE5*.....	-	-	0	86421-K0E-B20ZA	LA
			STRIPE, WHEEL *TYPE4*.....	-	-	0	86421-K0E-B20ZB	LA

PARTS CATALOGUE NEWS

BOOKNo. : 18KOEJD2

Block No.	Ref. No.	Part No.	Description	Reqd. QTY			Base Part No.	Parts catalogue code
				J	CBF160FS K	M		
			STRIPE, WHEEL *TYPE3*.....	-	-	0	86421-K0E-B20ZC	LA
			STRIPE, WHEEL *TYPE2*.....	-	-	0	86421-K0E-B20ZD	LA
			STRIPE, WHEEL *TYPE1*.....	-	-	0	86421-K0E-B20ZE	LA
	16		STRIPE A, R. SHROUD GARNISH *TYPE1*.....	-	-	0	86503-K0E-B20ZA	LA
			STRIPE A, R. SHROUD GARNISH *TYPE6*.....	-	-	0	86503-K0E-D50ZA	LA
			STRIPE A, R. SHROUD GARNISH *TYPE5*.....	-	-	0	86503-K0E-D50ZB	LA
			STRIPE A, R. SHROUD GARNISH *TYPE3*.....	-	-	0	86503-K0E-D50ZD	LA
			STRIPE A, R. SHROUD GARNISH *TYPE2*.....	-	-	0	86503-K0E-D50ZE	LA
			STRIPE A, R. SHROUD GARNISH *TYPE1*.....	-	-	0	86503-K0E-D50ZF	LA
	17		STRIPE A, L. SHROUD GARNISH *TYPE1*.....	-	-	0	86504-K0E-B20ZA	LA
			STRIPE A, L. SHROUD GARNISH *TYPE6*.....	-	-	0	86504-K0E-D50ZA	LA
			STRIPE A, L. SHROUD GARNISH *TYPE5*.....	-	-	0	86504-K0E-D50ZB	LA
			STRIPE A, L. SHROUD GARNISH *TYPE3*.....	-	-	0	86504-K0E-D50ZD	LA
			STRIPE A, L. SHROUD GARNISH *TYPE2*.....	-	-	0	86504-K0E-D50ZE	LA
			STRIPE A, L. SHROUD GARNISH *TYPE1*.....	-	-	0	86504-K0E-D50ZF	LA
	18		STRIPE B, R. SHROUD GARNISH *TYPE1*.....	-	-	0	86505-K0E-B20ZA	LA

PARTS CATALOGUE NEWS

BOOKNo. : 18KOEJD2

Block No.	Ref. No.	Part No.	Description	Reqd. QTY			Base Part No.	Parts catalogue code
				J	K	M		
			STRIPE B, R. SHROUD GARNISH *TYPE6*.....	-	-	0	86505-K0E-D50ZA	LA
			STRIPE B, R. SHROUD GARNISH *TYPE5*.....	-	-	0	86505-K0E-D50ZB	LA
			STRIPE B, R. SHROUD GARNISH *TYPE3*.....	-	-	0	86505-K0E-D50ZD	LA
			STRIPE B, R. SHROUD GARNISH *TYPE2*.....	-	-	0	86505-K0E-D50ZE	LA
			STRIPE B, R. SHROUD GARNISH *TYPE1*.....	-	-	0	86505-K0E-D50ZF	LA
	19		STRIPE B, L. SHROUD GARNISH *TYPE1*.....	-	-	0	86506-K0E-B20ZA	LA
			STRIPE B, L. SHROUD GARNISH *TYPE6*.....	-	-	0	86506-K0E-D50ZA	LA
			STRIPE B, L. SHROUD GARNISH *TYPE5*.....	-	-	0	86506-K0E-D50ZB	LA
			STRIPE B, L. SHROUD GARNISH *TYPE3*.....	-	-	0	86506-K0E-D50ZD	LA
			STRIPE B, L. SHROUD GARNISH *TYPE2*.....	-	-	0	86506-K0E-D50ZE	LA
			STRIPE B, L. SHROUD GARNISH *TYPE1*.....	-	-	0	86506-K0E-D50ZF	LA
	20		STRIPE C, R. SHROUD GARNISH *TYPE1*.....	-	-	0	86507-K0E-B20ZA	LA
			STRIPE C, R. SHROUD GARNISH *TYPE6*.....	-	-	0	86507-K0E-D50ZA	LA
			STRIPE C, R. SHROUD GARNISH *TYPE5*.....	-	-	0	86507-K0E-D50ZB	LA
			STRIPE C, R. SHROUD GARNISH *TYPE3*.....	-	-	0	86507-K0E-D50ZD	LA
			STRIPE C, R. SHROUD GARNISH *TYPE2*.....	-	-	0	86507-K0E-D50ZE	LA

PARTS CATALOGUE NEWS

BOOKNo. : 18KOEJD2

Block No.	Ref. No.	Part No.	Description	Reqd. QTY			Base Part No.	Parts catalogue code
				J	CBF160FS K	M		
			STRIPE C, R. SHROUD GARNISH *TYPE1*.....	-	-	0	86507-K0E-D50ZF	LA
	21		STRIPE C, L. SHROUD GARNISH *TYPE1*.....	-	-	0	86508-K0E-B20ZA	LA
			STRIPE C, L. SHROUD GARNISH *TYPE6*.....	-	-	0	86508-K0E-D50ZA	LA
			STRIPE C, L. SHROUD GARNISH *TYPE5*.....	-	-	0	86508-K0E-D50ZB	LA
			STRIPE C, L. SHROUD GARNISH *TYPE3*.....	-	-	0	86508-K0E-D50ZD	LA
			STRIPE C, L. SHROUD GARNISH *TYPE2*.....	-	-	0	86508-K0E-D50ZE	LA
			STRIPE C, L. SHROUD GARNISH *TYPE1*.....	-	-	0	86508-K0E-D50ZF	LA
	22		STRIPE, R. FUEL TANK COVER *TYPE1*.....	-	-	0	86641-K0E-B20ZA	LA
			STRIPE, R. FUEL TANK COVER *TYPE6*.....	-	-	0	86641-K0E-D50ZA	LA
			STRIPE, R. FUEL TANK COVER *TYPE5*.....	-	-	0	86641-K0E-D50ZB	LA
			STRIPE, R. FUEL TANK COVER *TYPE3*.....	-	-	0	86641-K0E-D50ZD	LA
			STRIPE, R. FUEL TANK COVER *TYPE2*.....	-	-	0	86641-K0E-D50ZE	LA
			STRIPE, R. FUEL TANK COVER *TYPE1*.....	-	-	0	86641-K0E-D50ZF	LA
	23		STRIPE, L. FUEL TANK COVER *TYPE1*.....	-	-	0	86642-K0E-B20ZA	LA
			STRIPE, L. FUEL TANK COVER *TYPE6*.....	-	-	0	86642-K0E-D50ZA	LA
			STRIPE, L. FUEL TANK COVER *TYPE5*.....	-	-	0	86642-K0E-D50ZB	LA

PARTS CATALOGUE NEWS

BOOKNo. :18KOEJD2

Block No.	Ref. No.	Part No.	Description	Reqd. QTY			Base Part No.	Parts catalogue code
				J	CBF160FS K	M		
			STRIPE, L. FUEL TANK COVER *TYPE3*.....	-	-	0	86642-K0E-D50ZD	LA
			STRIPE, L. FUEL TANK COVER *TYPE2*.....	-	-	0	86642-K0E-D50ZE	LA
			STRIPE, L. FUEL TANK COVER *TYPE1*.....	-	-	0	86642-K0E-D50ZF	LA

July 08, 2021



# PARTS CATALOGUE NEWS

Honda Motor Co., Ltd.

## PARTS CATALOGUE - CORRECTED

PARTS CATALOGUE NEWS

BOOKNo. : 18K0EJD2

CODE NO.	18K0EJD2
PARTS CATALOGUE NEWS	CBF160FS CBF160FS J/K/M
NEWS NO.	014

NOTE A:PART NO. CHANGE D:NEWLY PROVIDED E:PART NO. DELETION K:REQUIRED NO. CORRECTION L:APPLICATION SERIAL NO. CORRECTION  
M:PART DESCRIPTION CORRECTION T:APPLICATION CORRECTION Z:REMARKS CHANGE

PARTS CATALOGUE NEWS

BOOKNo. : 18K0EJD2

CBF160FS (CBF160FSJ).....ID

No.	MODEL		CBF160FSJ							
	COLOR		Mat frozen silver metallic	Mat marvel blue metallic	Pearl igneous black	Mat marshal green metallic	Applicable model		Applicable block No.	Ref. No.
	CODE		NH-C06M	B-227M	NH-B05P	GY-155M				
	Name of colored parts	Basic part No.	NHC06	B227	NHB05	GY155	Initial applicable model	Final applicable model		
1	COVER ASSY. B, FUEL TANK CENTER	64440-K0E-D00	ZB	ZB	<b>ZG</b>	ZB			F-21-20	14

CBF160FS (CBF160FSJ).....SL

No.	MODEL		CBF160FSJ							
	COLOR		Mat frozen silver metallic	Mat marvel blue metallic	Pearl igneous black	Mat marshal green metallic	Applicable model		Applicable block No.	Ref. No.
	CODE		NH-C06M	B-227M	NH-B05P	GY-155M				
	Name of colored parts	Basic part No.	NHC06	B227	NHB05	GY155	Initial applicable model	Final applicable model		
1	COVER ASSY. B, FUEL TANK CENTER	64440-K0E-D00	ZB	ZB	<b>ZG</b>	ZB			F-21-20	14

CBF160FS (CBF160FSK).....3ID

No.	MODEL		CBF160FSK							
	COLOR		Mat frozen silver metallic	Mat marvel blue metallic	Pearl igneous black	Mat marshal green metallic	Applicable model		Applicable block No.	Ref. No.
	CODE		NH-C06M	B-227M	NH-B05P	GY-155M				
	Name of colored parts	Basic part No.	NHC06	B227	NHB05	GY155	Initial applicable model	Final applicable model		
1	COVER ASSY. B, FUEL TANK CENTER	64440-K0E-D00	ZB	ZB	<b>ZG</b>	ZB			F-21-20	14

NOTE A:PART NO. CHANGE D:NEWLY PROVIDED E:PART NO. DELETION K:REQUIRED NO. CORRECTION L:APPLICATION SERIAL NO. CORRECTION  
M:PART DESCRIPTION CORRECTION T:APPLICATION CORRECTION Z:REMARKS CHANGE

PARTS CATALOGUE NEWS

BOOKNo. : 18K0EJD2

CBF160FS (CBF160FSK).....ID

No.	MODEL		CBF160FSK							
	COLOR		Mat frozen silver metallic	Mat marvel blue metallic	Pearl igneous black	Mat marshal green metallic	Applicable model		Applicable block No.	Ref. No.
	CODE		NH-C06M	B-227M	NH-B05P	GY-155M				
	Name of colored parts	Basic part No.	NHC06	B227	NHB05	GY155	Initial applicable model	Final applicable model		
1	COVER ASSY. B, FUEL TANK CENTER	64440-K0E-D00	ZB	ZB	<b>ZG</b>	ZB			F-21-20	14

CBF160FS (CBF160FSM).....LA

No.	MODEL		CBF160FSM							
	COLOR		Mat frozen silver metallic	Pearl spartan red	Mat marvel blue metallic	Pearl igneous black	Applicable model		Applicable block No.	Ref. No.
	CODE		NH-C06M	R-382P	B-227M	NH-B05P				
	Name of colored parts	Basic part No.	NHC06	R382	B227	NHB05	Initial applicable model	Final applicable model		
1	COVER ASSY. B, FUEL TANK CENTER	64440-K0E-D00	ZB	ZB	ZB	<b>ZG</b>			F-21-20	14

NOTE A:PART NO. CHANGE D:NEWLY PROVIDED E:PART NO. DELETION K:REQUIRED NO. CORRECTION L:APPLICATION SERIAL NO. CORRECTION  
M:PART DESCRIPTION CORRECTION T:APPLICATION CORRECTION Z:REMARKS CHANGE



PARTS CATALOGUE NEWS

BOOKNo. : 18KOEJD2

Block No.	Ref. No.	Note	Part No.	Description	Reqd. QTY			Serial No.	Parts catalogue code
					J	K	M		
F-21-20	14	T	64440-K0E-D00ZA	COVERASSY. B, FUEL TANK *R355M*	-	1	-	-----	3BA, BA
		A	64440-K0E-D00ZG	*R355M 1* IMPERIAL RED METALLIC	1	1	-	-----	3ID, ID, SL
					-	-	1	-----	LA

NOTE A:PART NO. CHANGE D:NEWLY PROVIDED E:PART NO. DELETION K:REQUIRED NO. CORRECTION L:APPLICATION SERIAL NO. CORRECTION  
M:PART DESCRIPTION CORRECTION T:APPLICATION CORRECTION Z:REMARKS CHANGE

July 20, 2021



# PARTS CATALOGUE NEWS

Honda Motor Co., Ltd.

## PARTS CATALOGUE - CORRECTED

CODE NO.	18K0EJD2
PARTS CATALOGUE NEWS	CBF160FS CBF160FS J/K/M
NEWS NO.	015

Block No.	Ref. No.	Note	Part No.	Description	Reqd. QTY			Serial No.	Parts catalogue code
					J	K	M		
F-14-40	14	T	38520-K0E-D21	SENSOR, FR. WHEEL SPEED.....	-	1	-	-----	3BA, 3ID, ID
		T	38520-K0E-D51	SENSOR ASSY., FR. SPEED.....	-	-	1	-----	2BA, 3CL, 3CO, 3ID, 3PE, CL, CO, ID, PE

NOTE A:PART NO. CHANGE D:NEWLY PROVIDED E:PART NO. DELETION K:REQUIRED NO. CORRECTION L:APPLICATION SERIAL NO. CORRECTION  
M:PART DESCRIPTION CORRECTION T:APPLICATION CORRECTION Z:REMARKS CHANGE



# PARTS CATALOGUE NEWS

Honda Motor Co., Ltd.

CODE NO.	18K0EJD2
PARTS CATALOGUE NEWS	CBF160FS CBF160FSJ CBF160FSK CBF160FSM
NEWS NO.	016

## NEW MODEL CBF160FSN-2ID AND 4ID TYPES COMPONENT PARTS-MARKETED

This Parts News CBF160FSN-2ID and 4ID types parts exclusively and respectively are based CBF160FSM-ID and 3ID types listed on the CBF160FS Parts Catalogue.

All other parts not listed herein are the same as CBF160FSM-ID and 3ID types parts.

Model	Area code	Type	Applicable engine serial No.	Applicable frame serial No.	Applicable throttle body identification No.
CBF160FSN	2ID	India			GQMEB A
	4ID			ME4KC35D*MA000001~	

PARTS CATALOGUE NEWS

BOOKNo. : 18K0EJD2

CBF160FS (CBF160FSN).....2ID

No.	MODEL		CBF160FSN							
	COLOR		Strontium silver metallic	Sports red 2	Mat marvel blue metallic	Mat steel black metallic	Applicable model		Applicable block No.	Ref. No.
	CODE		NH-C43M	R-393	B-227M	NH-C54M				
	Name of colored parts	Basic part No.	NHC43	R393	B227	NHC54	Initial applicable model	Final applicable model		
1	COVER ASSY. B, FUEL TANK CENTER	64440-K0E-D00	ZL	ZJ	ZM	ZK			F-21-20	14
2	COVER ASSY., L. FUEL TANK	64425-K0E-DA0	ZE	ZD	ZC	ZB			F-21-20	11
3	COVER ASSY., R. FUEL TANK	64415-K0E-DA0	ZE	ZD	ZC	ZB			F-21-20	8
4	COVER, L. FR. FORK	61125-K0E-D20	ZA	ZA	ZA	ZA			F-11	31
5	COVER, R. FR. FORK	61115-K0E-D20	ZA	ZA	ZA	ZA			F-11	30
6	COWL, L. RR.	77281-K0E-D00	ZE	ZD	ZD	ZC			F-23-10	5
7	COWL, L. UNDER	64312-K0E-D50	ZA	ZA	ZA	ZA			F-45-1	4
8	COWL, R. RR.	77271-K0E-D00	ZC	ZD	ZD	ZE			F-23-10	4
9	COWL, R. UNDER	64311-K0E-D50	ZA	ZA	ZA	ZA			F-45-1	3
10	FENDER A, FR.	61111-K0E-D00	ZP	ZM	ZE	ZN			F-10	4
11	FENDER SET A, RR.	80110-K0E-D00	ZA	ZA	ZA	ZA			F-34	2
12	FENDER SET B, FR.	61112-K0E-D20	ZA	ZA	ZA	ZA			F-10	10
13	FLANGE SUB ASSY., FINAL DRIVEN	42615-K0E-D20	ZA	ZA	ZA	ZA			F-19-30	5
14	GARNISH, L. FR.	61315-K0E-D00	ZN	ZL	ZA	ZM			F-43	4
15	GARNISH, R. FR.	61305-K0E-D00	ZN	ZL	ZA	ZM			F-43	3
16	GRIP, L. RR.	50450-K0E-D50	ZJ	ZG	ZK	ZH			F-23	2
17	GRIP, R. RR.	50400-K0E-D50	ZJ	ZG	ZK	ZH			F-23	1
18	HOLDER, HANDLE UPPER	53131-K0E-D00	ZA	ZA	ZA	ZA			F-7	6
19	HOLDER, L. HANDLE LOWER	53142-K0E-D00	ZA	ZA	ZA	ZA			F-7	8
20	HOLDER, R. HANDLE LOWER	53132-K0E-D00	ZA	ZA	ZA	ZA			F-7	7
21	MARK, ABS	86611-K0E-D20	ZA	ZA	ZA	ZA			F-50	14
22	MARK, HONDA	86101-K67-900	ZA	ZA	ZA	ZA			F-50	1
23	MARK, HONDA	86102-K43-900	ZA	ZA	ZA	ZA			F-50	2
24	MIRROR COMP., L.	88220-K38-941	ZA	ZA	ZA	ZA			F-3	3

PARTS CATALOGUE NEWS

BOOKNo. : 18K0EJD2

CBF160FS (CBF160FSN).....2ID

No.	MODEL		CBF160FSN							
	COLOR		Strontium silver metallic	Sports red 2	Mat marvel blue metallic	Mat steel black metallic	Applicable model		Applicable block No.	Ref. No.
	CODE		NH-C43M	R-393	B-227M	NH-C54M				
	Name of colored parts	Basic part No.	NHC43	R393	B227	NHC54	Initial applicable model	Final applicable model		
25	MIRROR COMP., R.	88210-K38-941	ZA	ZA	ZA	ZA			F-3	2
26	PANEL COMP., RR. BRAKE	43100-KYE-910	ZB	ZB	ZB	ZB			F-18	2
27	PIPE, STEERING HANDLE	53100-K0E-D00	ZA	ZA	ZA	ZA			F-7	5
28	SHROUD SET, L. GARNISH	50250-K0E-DA0	ZE	ZD	ZC	ZB			F-21-20	2
29	SHROUD SET, R. GARNISH	50240-K0E-DA0	ZE	ZD	ZC	ZB			F-21-20	1
30	STRIPE, L. FUEL TANK COVER	86642-K0E-DA0	ZE	ZD	ZC	ZB			F-50	29
31	STRIPE, L. SHROUD GARNISH	86504-K0E-DA0	ZE	ZD	ZC	ZB			F-50	27
32	STRIPE, R. FUEL TANK COVER	86641-K0E-DA0	ZE	ZD	ZC	ZB			F-50	28
33	STRIPE, R. SHROUD GARNISH	86503-K0E-DA0	ZE	ZD	ZC	ZB			F-50	26
34	STRIPE, WHEEL	86421-K0E-DA0	ZD	ZD	ZC	ZB			F-50	13
35	VISOR SET, FR.	61300-K0E-D00	ZA	ZA	ZA	ZA			F-43	1
36	WHEEL SUB ASSY., FR.	44650-K0E-DA0	ZD	ZD	ZC	ZB			F-14-40	16
37	WHEEL SUB ASSY., RR.	42650-K0E-DA0	ZD	ZD	ZC	ZB			F-19-30	19

## PARTS CATALOGUE NEWS

BOOKNo. : 18K0EJD2

## CBF160FS (CBF160FSN).....2ID

No.	MODEL		CBF160FSN				
	COLOR		Mat marmalade orange metallic YR-371M	Applicable model		Applicable block No.	Ref. No.
	CODE			YR371	Initial applicable model		
	Name of colored parts	Basic part No.					
1	COVER ASSY. B, FUEL TANK CENTER	64440-K0E-D00	ZH			F-21-20	14
2	COVER ASSY., L. FUEL TANK	64425-K0E-DA0	ZA			F-21-20	11
3	COVER ASSY., R. FUEL TANK	64415-K0E-DA0	ZA			F-21-20	8
4	COVER, L. FR. FORK	61125-K0E-D20	ZA			F-11	31
5	COVER, R. FR. FORK	61115-K0E-D20	ZA			F-11	30
6	COWL, L. RR.	77281-K0E-D00	ZD			F-23-10	5
7	COWL, L. UNDER	64312-K0E-D50	ZA			F-45-1	4
8	COWL, R. RR.	77271-K0E-D00	ZD			F-23-10	4
9	COWL, R. UNDER	64311-K0E-D50	ZA			F-45-1	3
10	FENDER A, FR.	61111-K0E-D00	ZF			F-10	4
11	FENDER SET A, RR.	80110-K0E-D00	ZA			F-34	2
12	FENDER SET B, FR.	61112-K0E-D20	ZA			F-10	10
13	FLANGE SUB ASSY., FINAL DRIVEN	42615-K0E-D20	ZA			F-19-30	5
14	GARNISH, L. FR.	61315-K0E-D00	ZF			F-43	4
15	GARNISH, R. FR.	61305-K0E-D00	ZF			F-43	3
16	GRIP, L. RR.	50450-K0E-D50	ZA			F-23	2
17	GRIP, R. RR.	50400-K0E-D50	ZA			F-23	1
18	HOLDER, HANDLE UPPER	53131-K0E-D00	ZA			F-7	6
19	HOLDER, L. HANDLE LOWER	53142-K0E-D00	ZA			F-7	8
20	HOLDER, R. HANDLE LOWER	53132-K0E-D00	ZA			F-7	7
21	MARK, ABS	86611-K0E-D20	ZA			F-50	14
22	MARK, HONDA	86101-K67-900	ZA			F-50	1
23	MARK, HONDA	86102-K43-900	ZA			F-50	2
24	MIRROR COMP., L.	88220-K38-941	ZA			F-3	3

PARTS CATALOGUE NEWS

BOOKNo. : 18K0EJD2

CBF160FS (CBF160FSN).....2ID

No.	MODEL		CBF160FSN				
	COLOR		Mat marmalade orange metallic YR-371M	Applicable model		Applicable block No.	Ref. No.
	CODE			YR371	Initial applicable model		
	Name of colored parts	Basic part No.					
25	MIRROR COMP., R.	88210-K38-941	ZA			F-3	2
26	PANEL COMP., RR. BRAKE	43100-KYE-910	ZB			F-18	2
27	PIPE, STEERING HANDLE	53100-K0E-D00	ZA			F-7	5
28	SHROUD SET, L. GARNISH	50250-K0E-DA0	ZA			F-21-20	2
29	SHROUD SET, R. GARNISH	50240-K0E-DA0	ZA			F-21-20	1
30	STRIPE, L. FUEL TANK COVER	86642-K0E-DA0	ZA			F-50	29
31	STRIPE, L. SHROUD GARNISH	86504-K0E-DA0	ZA			F-50	27
32	STRIPE, R. FUEL TANK COVER	86641-K0E-DA0	ZA			F-50	28
33	STRIPE, R. SHROUD GARNISH	86503-K0E-DA0	ZA			F-50	26
34	STRIPE, WHEEL	86421-K0E-DA0	ZA			F-50	13
35	VISOR SET, FR.	61300-K0E-D00	ZA			F-43	1
36	WHEEL SUB ASSY., FR.	44650-K0E-DA0	ZA			F-14-40	16
37	WHEEL SUB ASSY., RR.	42650-K0E-DA0	ZA			F-19-30	19

PARTS CATALOGUE NEWS

BOOKNo. : 18K0EJD2

CBF160FS (CBF160FSN).....4ID

No.	MODEL		CBF160FSN							
	COLOR		Strontium silver metallic	Sports red 2	Mat marvel blue metallic	Mat steel black metallic	Applicable model		Applicable block No.	Ref. No.
	CODE		NH-C43M	R-393	B-227M	NH-C54M	Initial applicable model	Final applicable model		
	Name of colored parts	Basic part No.	NHC43	R393	B227	NHC54				
1	COVER ASSY. B, FUEL TANK CENTER	64440-K0E-D00	ZL	ZJ	ZM	ZK			F-21-20	14
2	COVER ASSY., L. FUEL TANK	64425-K0E-DA0	ZE	ZD	ZC	ZB			F-21-20	11
3	COVER ASSY., R. FUEL TANK	64415-K0E-DA0	ZE	ZD	ZC	ZB			F-21-20	8
4	COVER, L. FR. FORK	61125-K0E-D20	ZA	ZA	ZA	ZA			F-11	31
5	COVER, R. FR. FORK	61115-K0E-D20	ZA	ZA	ZA	ZA			F-11	30
6	COWL, L. RR.	77281-K0E-D00	ZE	ZD	ZD	ZC			F-23-10	5
7	COWL, L. UNDER	64312-K0E-D50	ZA	ZA	ZA	ZA			F-45-1	4
8	COWL, R. RR.	77271-K0E-D00	ZC	ZD	ZD	ZE			F-23-10	4
9	COWL, R. UNDER	64311-K0E-D50	ZA	ZA	ZA	ZA			F-45-1	3
10	FENDER A, FR.	61111-K0E-D00	ZP	ZM	ZE	ZN			F-10	4
11	FENDER SET A, RR.	80110-K0E-D00	ZA	ZA	ZA	ZA			F-34	2
12	FENDER SET B, FR.	61112-K0E-D20	ZA	ZA	ZA	ZA			F-10	10
13	FLANGE SUB ASSY., FINAL DRIVEN	42615-K0E-D20	ZA	ZA	ZA	ZA			F-19-40	6
14	GARNISH, L. FR.	61315-K0E-D00	ZN	ZL	ZA	ZM			F-43	4
15	GARNISH, R. FR.	61305-K0E-D00	ZN	ZL	ZA	ZM			F-43	3
16	GRIP, L. RR.	50450-K0E-D50	ZJ	ZG	ZK	ZH			F-23	2
17	GRIP, R. RR.	50400-K0E-D50	ZJ	ZG	ZK	ZH			F-23	1
18	HOLDER, HANDLE UPPER	53131-K0E-D00	ZA	ZA	ZA	ZA			F-7	6
19	HOLDER, L. HANDLE LOWER	53142-K0E-D00	ZA	ZA	ZA	ZA			F-7	8
20	HOLDER, R. HANDLE LOWER	53132-K0E-D00	ZA	ZA	ZA	ZA			F-7	7
21	MARK, ABS	86611-K0E-D20	ZA	ZA	ZA	ZA			F-50	14
22	MARK, HONDA	86101-K67-900	ZA	ZA	ZA	ZA			F-50	1
23	MARK, HONDA	86102-K43-900	ZA	ZA	ZA	ZA			F-50	2
24	MIRROR COMP., L.	88220-K38-941	ZA	ZA	ZA	ZA			F-3	3



PARTS CATALOGUE NEWS

BOOKNo. : 18K0EJD2

CBF160FS (CBF160FSN).....4ID

No.	MODEL		CBF160FSN							Applicable block No.	Ref. No.
	COLOR		Strontium silver metallic	Sports red 2	Mat marvel blue metallic	Mat steel black metallic	Applicable model				
	CODE		NH-C43M	R-393	B-227M	NH-C54M					
	Name of colored parts	Basic part No.	NHC43	R393	B227	NHC54	Initial applicable model	Final applicable model			
25	MIRROR COMP., R.	88210-K38-941	ZA	ZA	ZA	ZA			F-3	2	
26	PIPE, STEERING HANDLE	53100-K0E-D00	ZA	ZA	ZA	ZA			F-7	5	
27	SHROUD SET, L. GARNISH	50250-K0E-DA0	ZE	ZD	ZC	ZB			F-21-20	2	
28	SHROUD SET, R. GARNISH	50240-K0E-DA0	ZE	ZD	ZC	ZB			F-21-20	1	
29	STRIPE, L. FUEL TANK COVER	86642-K0E-DA0	ZE	ZD	ZC	ZB			F-50	29	
30	STRIPE, L. SHROUD GARNISH	86504-K0E-DA0	ZE	ZD	ZC	ZB			F-50	27	
31	STRIPE, R. FUEL TANK COVER	86641-K0E-DA0	ZE	ZD	ZC	ZB			F-50	28	
32	STRIPE, R. SHROUD GARNISH	86503-K0E-DA0	ZE	ZD	ZC	ZB			F-50	26	
33	STRIPE, WHEEL	86421-K0E-DA0	ZD	ZD	ZC	ZB			F-50	13	
34	VISOR SET, FR.	61300-K0E-D00	ZA	ZA	ZA	ZA			F-43	1	
35	WHEEL SUB ASSY., FR.	44650-K0E-DA0	ZD	ZD	ZC	ZB			F-14-40	16	
36	WHEEL SUB ASSY., RR.	42650-K0E-DB0	ZD	ZD	ZC	ZB			F-19-40	9	

## PARTS CATALOGUE NEWS

BOOKNo. : 18K0EJD2

## CBF160FS (CBF160FSN).....4ID

No.	MODEL		CBF160FSN				
	COLOR		Mat marmalade orange metallic  YR-371M	Applicable model		Applicable block No.	Ref. No.
	CODE			YR371	Initial applicable model		
	Name of colored parts	Basic part No.					
1	COVER ASSY. B, FUEL TANK CENTER	64440-K0E-D00	ZH			F-21-20	14
2	COVER ASSY., L. FUEL TANK	64425-K0E-DA0	ZA			F-21-20	11
3	COVER ASSY., R. FUEL TANK	64415-K0E-DA0	ZA			F-21-20	8
4	COVER, L. FR. FORK	61125-K0E-D20	ZA			F-11	31
5	COVER, R. FR. FORK	61115-K0E-D20	ZA			F-11	30
6	COWL, L. RR.	77281-K0E-D00	ZD			F-23-10	5
7	COWL, L. UNDER	64312-K0E-D50	ZA			F-45-1	4
8	COWL, R. RR.	77271-K0E-D00	ZD			F-23-10	4
9	COWL, R. UNDER	64311-K0E-D50	ZA			F-45-1	3
10	FENDER A, FR.	61111-K0E-D00	ZF			F-10	4
11	FENDER SET A, RR.	80110-K0E-D00	ZA			F-34	2
12	FENDER SET B, FR.	61112-K0E-D20	ZA			F-10	10
13	FLANGE SUB ASSY., FINAL DRIVEN	42615-K0E-D20	ZA			F-19-40	6
14	GARNISH, L. FR.	61315-K0E-D00	ZF			F-43	4
15	GARNISH, R. FR.	61305-K0E-D00	ZF			F-43	3
16	GRIP, L. RR.	50450-K0E-D50	ZA			F-23	2
17	GRIP, R. RR.	50400-K0E-D50	ZA			F-23	1
18	HOLDER, HANDLE UPPER	53131-K0E-D00	ZA			F-7	6
19	HOLDER, L. HANDLE LOWER	53142-K0E-D00	ZA			F-7	8
20	HOLDER, R. HANDLE LOWER	53132-K0E-D00	ZA			F-7	7
21	MARK, ABS	86611-K0E-D20	ZA			F-50	14
22	MARK, HONDA	86101-K67-900	ZA			F-50	1
23	MARK, HONDA	86102-K43-900	ZA			F-50	2
24	MIRROR COMP., L.	88220-K38-941	ZA			F-3	3

PARTS CATALOGUE NEWS

BOOKNo. : 18K0EJD2

CBF160FS (CBF160FSN).....4ID

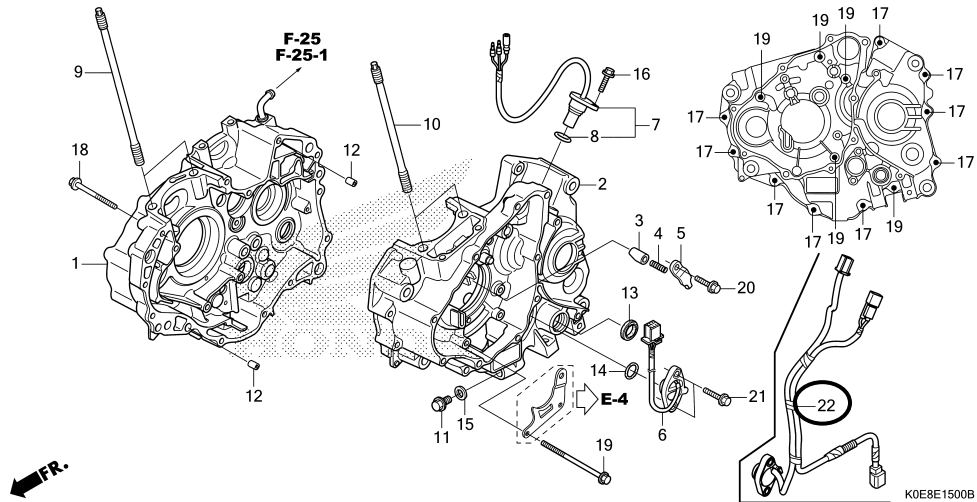
No.	MODEL		CBF160FSN				
	COLOR		Mat marmalade orange metallic YR-371M	Applicable model		Applicable block No.	Ref. No.
	CODE			YR371	Initial applicable model		
	Name of colored parts	Basic part No.					
25	MIRROR COMP., R.	88210-K38-941	ZA			F-3	2
26	PIPE, STEERING HANDLE	53100-K0E-D00	ZA			F-7	5
27	SHROUD SET, L. GARNISH	50250-K0E-DA0	ZA			F-21-20	2
28	SHROUD SET, R. GARNISH	50240-K0E-DA0	ZA			F-21-20	1
29	STRIPE, L. FUEL TANK COVER	86642-K0E-DA0	ZA			F-50	29
30	STRIPE, L. SHROUD GARNISH	86504-K0E-DA0	ZA			F-50	27
31	STRIPE, R. FUEL TANK COVER	86641-K0E-DA0	ZA			F-50	28
32	STRIPE, R. SHROUD GARNISH	86503-K0E-DA0	ZA			F-50	26
33	STRIPE, WHEEL	86421-K0E-DA0	ZA			F-50	13
34	VISOR SET, FR.	61300-K0E-D00	ZA			F-43	1
35	WHEEL SUB ASSY., FR.	44650-K0E-DA0	ZA			F-14-40	16
36	WHEEL SUB ASSY., RR.	42650-K0E-DB0	ZA			F-19-40	9

BOOKNo. :18KOEJD2

Block No.	Ref. No.	Part No.	Description	Reqd. QTY				Base Part No.	Parts catalogue code
				J	K	M	N		
E-2-1	4		GASKET, CYLINDER HEAD (O. S.)...	-	-	-	(0)	12252-K38-900	21D, 41D

**E-15 CRANKCASE**

Ref. No.	(Relative ref. Number)	Description	FRT
6	(22)	6151B8 SWITCH, NEUTRAL .....	0.4



E-15	6		CONTACT ASSY., CHANGE SWITCH..	-	-	-	0	35759-K0E-D51	21D, 41D
	22	35759-K0E-D61	CONTACT ASSY., CHANGE SWITCH..	-	-	-	1		21D, 41D
E-16	2		RING SET, PISTON (0.25) (TPR)...	-	-	-	(0)	13021-K38-900	21D, 41D
			RING SET, PISTON (0.50) (TPR)...	-	-	-	(0)	13031-K38-900	21D, 41D
			RING SET, PISTON (0.75) (TPR)...	-	-	-	(0)	13041-K38-900	21D, 41D
			RING SET, PISTON (1.00) (TPR)...	-	-	-	(0)	13051-K38-900	21D, 41D
	3		PISTON (0.25) .....	-	-	-	(0)	13102-K38-900	21D, 41D
			PISTON (0.50) .....	-	-	-	(0)	13103-K38-900	21D, 41D
			PISTON (0.75) .....	-	-	-	(0)	13104-K38-900	21D, 41D
			PISTON (1.00) .....	-	-	-	(0)	13105-K38-900	21D, 41D
E-19	19	91112-KRH-900	ROLLER, 3X8.5 .....	-	-	-	2	96220-30085	21D, 41D

PARTS CATALOGUE NEWS

BOOKNo. :18KOEJD2

Block No.	Ref. No.	Part No.	Description	Reqd. QTY				Base Part No.	Parts catalogue code
				J	CBF160FS K	M	N		
F-2	1	37100-KOE-D61	METER ASSY., COMBINATION (KPH).	-	-	-	1	37100-KOE-D51	21D, 41D
	2	37110-KOE-D61	METER COMP., LCD.....	-	-	-	1	37110-KOE-D51	21D, 41D
F-7	2	35010-KOE-D51	KEY SET.....	-	-	-	1	35010-KOE-D50	21D, 41D
F-10	4	61111-KOE-D00ZM	FENDER A, FR. *R393*..... SPORTS RED 2	-	-	-	1		21D, 41D
		61111-KOE-D00ZN	FENDER A, FR. *NHC54M* MAT STEEL BLACK METALLIC	-	-	-	1		21D, 41D
	61111-KOE-D00ZP	FENDER A, FR. *NHC43M* STRONTIUM SILVER METALLIC	-	-	-	1		21D, 41D	
		FENDER A, FR. *NHB05P*.. PEARL IGNEOUS BLACK	-	-	-	0	61111-KOE-D00ZC	21D, 41D	
		FENDER A, FR. *R392P*... PEARL SPARTAN RED 2	-	-	-	0	61111-KOE-D00ZG	21D, 41D	
		FENDER A, FR. *NH303M* MAT AXIS GRAY METALLIC	-	-	-	0	61111-KOE-D00ZH	21D, 41D	
		FENDER A, FR. *GY156M* MAT MARSHAL GREEN METALLIC 2	-	-	-	0	61111-KOE-D00ZJ	21D, 41D	
F-14-40	16	44650-KOE-DAOZA	WHEEL SUB ASSY., FR. (WL) *TYPE4*.....	-	-	-	1	44650-KOE-D50ZG	21D, 41D
		44650-KOE-DAOZB	WHEEL SUB ASSY., FR. (WL) *TYPE3*.....	-	-	-	1	44650-KOE-D50ZH	21D, 41D
		44650-KOE-DAOZC	WHEEL SUB ASSY., FR. (WL) *TYPE2*.....	-	-	-	1	44650-KOE-D50ZJ	21D, 41D
		44650-KOE-DAOZD	WHEEL SUB ASSY., FR. (WL) *TYPE1*.....	-	-	-	1	44650-KOE-D50ZK	21D, 41D
			WHEEL SUB ASSY., FR. (WL) *TYPE5*.....	-	-	-	0	44650-KOE-D50ZF	21D, 41D
F-19-30	19	42650-KOE-DAOZA	WHEEL SUB ASSY., RR. (WL) *TYPE4*.....	-	-	-	1	42650-KOE-D50ZG	21D

## PARTS CATALOGUE NEWS

BOOKNo. : 18KOEJD2

Block No.	Ref. No.	Part No.	Description	Reqd. QTY				Base Part No.	Parts catalogue code
				J	CBF160FS K	M	N		
		42650-K0E-DAOZB	WHEEL SUB ASSY., RR. (WL) *TYPE3*.....	-	-	-	1	42650-K0E-D50ZH	21D
		42650-K0E-DAOZC	WHEEL SUB ASSY., RR. (WL) *TYPE2*.....	-	-	-	1	42650-K0E-D50ZJ	21D
		42650-K0E-DAOZD	WHEEL SUB ASSY., RR. (WL) *TYPE1*.....	-	-	-	1	42650-K0E-D50ZK	21D
			WHEEL SUB ASSY., RR. (WL) *TYPE5*.....	-	-	-	0	42650-K0E-D50ZF	21D
F-19-40	9	42650-K0E-DBOZA	WHEEL SUB ASSY., RR. (WL) *TYPE4*.....	-	-	-	1	42650-K0E-D70ZG	41D
		42650-K0E-DBOZB	WHEEL SUB ASSY., RR. (WL) *TYPE3*.....	-	-	-	1	42650-K0E-D70ZH	41D
		42650-K0E-DBOZC	WHEEL SUB ASSY., RR. (WL) *TYPE2*.....	-	-	-	1	42650-K0E-D70ZJ	41D
		42650-K0E-DBOZD	WHEEL SUB ASSY., RR. (WL) *TYPE1*.....	-	-	-	1	42650-K0E-D70ZK	41D
			WHEEL SUB ASSY., RR. (WL) *TYPE5*.....	-	-	-	0	42650-K0E-D70ZF	41D
F-21-1	12	17620-K0E-D52	CAP COMP., FUEL FILLER.....	-	-	-	1	17620-K0E-D51	21D, 41D
F-21-20	1	50240-K0E-DAOZA	SHROUD SET, R. GARNISH (WL) *TYPE5*.....	-	-	-	1	50240-K0E-D50ZB	21D, 41D
		50240-K0E-DAOZB	SHROUD SET, R. GARNISH (WL) *TYPE4*.....	-	-	-	1	50240-K0E-D50ZC	21D, 41D
		50240-K0E-DAOZC	SHROUD SET, R. GARNISH (WL) *TYPE3*.....	-	-	-	1	50240-K0E-D50ZD	21D, 41D
		50240-K0E-DAOZD	SHROUD SET, R. GARNISH (WL) *TYPE2*.....	-	-	-	1	50240-K0E-D50ZE	21D, 41D
		50240-K0E-DAOZE	SHROUD SET, R. GARNISH (WL) *TYPE1*.....	-	-	-	1	50240-K0E-D50ZF	21D, 41D
			SHROUD SET, R. GARNISH (WL) *TYPE6*.....	-	-	-	0	50240-K0E-D50ZA	21D, 41D

## PARTS CATALOGUE NEWS

BOOKNo. :18KOEJD2

Block No.	Ref. No.	Part No.	Description	Reqd. QTY				Base Part No.	Parts catalogue code
				J	CBF160FS K	M	N		
2		50250-K0E-DAOZA	SHROUD SET, L. GARNISH (WL) *TYPE5*.....	-	-	-	1	50250-K0E-D50ZB	21D, 41D
		50250-K0E-DAOZB	SHROUD SET, L. GARNISH (WL) *TYPE4*.....	-	-	-	1	50250-K0E-D50ZC	21D, 41D
		50250-K0E-DAOZC	SHROUD SET, L. GARNISH (WL) *TYPE3*.....	-	-	-	1	50250-K0E-D50ZD	21D, 41D
		50250-K0E-DAOZD	SHROUD SET, L. GARNISH (WL) *TYPE2*.....	-	-	-	1	50250-K0E-D50ZE	21D, 41D
		50250-K0E-DAOZE	SHROUD SET, L. GARNISH (WL) *TYPE1*.....	-	-	-	1	50250-K0E-D50ZF	21D, 41D
			SHROUD SET, L. GARNISH (WL) *TYPE6*.....	-	-	-	0	50250-K0E-D50ZA	21D, 41D
8		64415-K0E-DAOZA	COVER ASSY., R. FUEL TANK (WL) *TYPE5*.....	-	-	-	1	64415-K0E-D50ZB	21D, 41D
		64415-K0E-DAOZB	COVER ASSY., R. FUEL TANK (WL) *TYPE4*.....	-	-	-	1	64415-K0E-D50ZC	21D, 41D
		64415-K0E-DAOZC	COVER ASSY., R. FUEL TANK (WL) *TYPE3*.....	-	-	-	1	64415-K0E-D50ZD	21D, 41D
		64415-K0E-DAOZD	COVER ASSY., R. FUEL TANK (WL) *TYPE2*.....	-	-	-	1	64415-K0E-D50ZE	21D, 41D
		64415-K0E-DAOZE	COVER ASSY., R. FUEL TANK (WL) *TYPE1*.....	-	-	-	1	64415-K0E-D50ZF	21D, 41D
			COVER ASSY., R. FUEL TANK (WL) *TYPE6*.....	-	-	-	0	64415-K0E-D50ZA	21D, 41D
11		64425-K0E-DAOZA	COVER ASSY., L. FUEL TANK (WL) *TYPE5*.....	-	-	-	1	64425-K0E-D50ZB	21D, 41D
		64425-K0E-DAOZB	COVER ASSY., L. FUEL TANK (WL) *TYPE4*.....	-	-	-	1	64425-K0E-D50ZC	21D, 41D
		64425-K0E-DAOZC	COVER ASSY., L. FUEL TANK (WL) *TYPE3*.....	-	-	-	1	64425-K0E-D50ZD	21D, 41D
		64425-K0E-DAOZD	COVER ASSY., L. FUEL TANK (WL) *TYPE2*.....	-	-	-	1	64425-K0E-D50ZE	21D, 41D

PARTS CATALOGUE NEWS

BOOKNo. :18KOEJD2

Block No.	Ref. No.	Part No.	Description	Reqd. QTY				Base Part No.	Parts catalogue code
				J	CBF160FS K	M	N		
		64425-KOE-DAOZE	COVER ASSY., L. FUEL TANK (WL) *TYPE1*.....	-	-	-	1	64425-KOE-D50ZF	21D, 41D
			COVER ASSY., L. FUEL TANK (WL) *TYPE6*.....	-	-	-	0	64425-KOE-D50ZA	21D, 41D
14		64440-KOE-D00ZH	COVER ASSY. B, FUEL TANK CENTER *YR371M*. MAT MARMALADE ORANGE METALLIC	-	-	-	1		21D, 41D
		64440-KOE-D00ZJ	COVER ASSY. B, FUEL TANK CENTER *R393*..... SPORTS RED 2	-	-	-	1		21D, 41D
		64440-KOE-D00ZK	COVER ASSY. B, FUEL TANK CENTER *NHC54M*. MAT STEEL BLACK METALLIC	-	-	-	1		21D, 41D
		64440-KOE-D00ZL	COVER ASSY. B, FUEL TANK CENTER *NHC43M*. STRONTIUM SILVER METALLIC	-	-	-	1		21D, 41D
		64440-KOE-D00ZM	COVER ASSY. B, FUEL TANK CENTER *B227M*. MAT MARVEL BLUE METALLIC	-	-	-	1		21D, 41D
			COVER ASSY. B, FUEL TANK CENTER *NHB05P*.. PEARL IGNEOUS BLACK	-	-	-	0	64440-KOE-D00ZB	21D, 41D
			COVER ASSY. B, FUEL TANK CENTER *YR250*..... VIBRANT ORANGE	-	-	-	0	64440-KOE-D00ZC	21D, 41D
			COVER ASSY. B, FUEL TANK CENTER *NHB06M*. SPACE SILVER METALLIC	-	-	-	0	64440-KOE-D00ZE	21D, 41D
			COVER ASSY. B, FUEL TANK CENTER *NHC56M*. FORCE SILVER METALLIC 2	-	-	-	0	64440-KOE-D00ZF	21D, 41D



PARTS CATALOGUE NEWS

BOOKNo. :18KOEJD2

Block No.	Ref. No.	Part No.	Description	Reqd. QTY				Base Part No.	Parts catalogue code
				J	CBF160FS K	M	N		
F-23	1	50400-K0E-D50ZG	GRIP, R. RR. *R393*.....SPORTS RED 2	-	-	-	1	21D, 41D	
		50400-K0E-D50ZH	GRIP, R. RR. *NHC54M* MAT STEEL BLACK METALLIC	-	-	-	1	21D, 41D	
		50400-K0E-D50ZJ	GRIP, R. RR. *NHC43M* STRONTIUM SILVER METALLIC	-	-	-	1	21D, 41D	
		50400-K0E-D50ZK	GRIP, R. RR. *B227M* MAT MARVEL BLUE METALLIC	-	-	-	1	21D, 41D	
			GRIP, R. RR. *YR250*.....VIBRANT ORANGE	-	-	-	0	50400-K0E-D50ZB 21D, 41D	
			GRIP, R. RR. *NH303M* MAT AXIS GRAY METALLIC	-	-	-	0	50400-K0E-D50ZD 21D, 41D	
			GRIP, R. RR. *NHC56M* FORCE SILVER METALLIC 2	-	-	-	0	50400-K0E-D50ZE 21D, 41D	
	2	50450-K0E-D50ZG	GRIP, L. RR. *R393*.....SPORTS RED 2	-	-	-	1	21D, 41D	
		50450-K0E-D50ZH	GRIP, L. RR. *NHC54M* MAT STEEL BLACK METALLIC	-	-	-	1	21D, 41D	
		50450-K0E-D50ZJ	GRIP, L. RR. *NHC43M* STRONTIUM SILVER METALLIC	-	-	-	1	21D, 41D	
		50450-K0E-D50ZK	GRIP, L. RR. *B227M* MAT MARVEL BLUE METALLIC	-	-	-	1	21D, 41D	
			GRIP, L. RR. *YR250*.....VIBRANT ORANGE	-	-	-	0	50450-K0E-D50ZB 21D, 41D	
			GRIP, L. RR. *NH303M* MAT AXIS GRAY METALLIC	-	-	-	0	50450-K0E-D50ZD 21D, 41D	

## PARTS CATALOGUE NEWS

BOOKNo. :18KOEJD2

Block No.	Ref. No.	Part No.	Description	Reqd. QTY				Base Part No.	Parts catalogue code
				J	CBF160FS K	M	N		
			GRIP, L. RR. *NHC56M*. FORCE SILVER METALLIC 2	-	-	-	0	50450-KOE-D50ZE 21D, 41D	
F-23-10	4	77271-KOE-D00ZC	COWL, R. RR. (WOL) *NHC25M*. TUNGSTEN GRAY METALLIC	-	-	-	1	21D, 41D	
		77271-KOE-D00ZD	COWL, R. RR. (WOL) *NHC44M*. MAT FROZEN SILVER METALLIC 2	-	-	-	1	21D, 41D	
		77271-KOE-D00ZE	COWL, R. RR. (WOL) *NHC55M*. MAT MASSIVE GRAY METALLIC	-	-	-	1	21D, 41D	
			COWL SET, R. RR. (WL) *TYPE1*.....	-	-	-	0	77270-KOE-D50ZB 21D, 41D	
	5	77281-KOE-D00ZC	COWL, L. RR. (WOL) *NHC55M*. MAT MASSIVE GRAY METALLIC	-	-	-	1	21D, 41D	
		77281-KOE-D00ZD	COWL, L. RR. (WOL) *NHC44M*. MAT FROZEN SILVER METALLIC 2	-	-	-	1	21D, 41D	
		77281-KOE-D00ZE	COWL, L. RR. (WOL) *NHC25M*. TUNGSTEN GRAY METALLIC	-	-	-	1	21D, 41D	
			COWL, L. RR. (WOL) *NH303M*. MAT AXIS GRAY METALLIC	-	-	-	0	77281-KOE-D00ZA 21D, 41D	
F-27	1	18357-KOE-DA0	COVER, MUFFLER TAIL.....	-	-	-	1	18357-KOE-D00 21D, 41D	
	4	18300-KOE-D60	MUFFLER COMP., EX.....	-	-	-	1	18300-KOE-D50 21D, 41D	
	7	18356-KOE-DA0	COVER B, MUFFLER.....	-	-	-	1	18356-KOE-D50 21D, 41D	

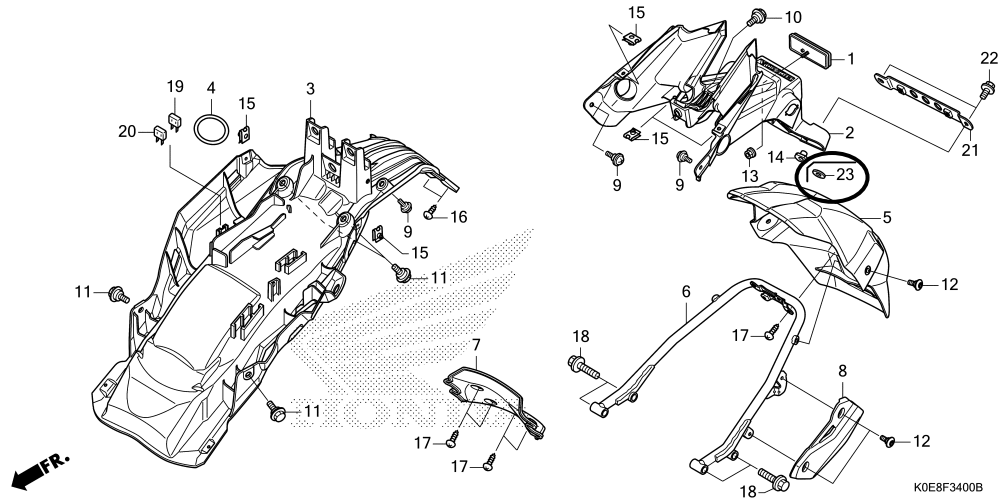


PARTS CATALOGUE NEWS

BOOKNo. :18KOEJD2

Block No.	Ref. No.	Part No.	Description	Reqd. QTY				Base Part No.	Parts catalogue code
				J	K	M	N		

F-34 REAR FENDER



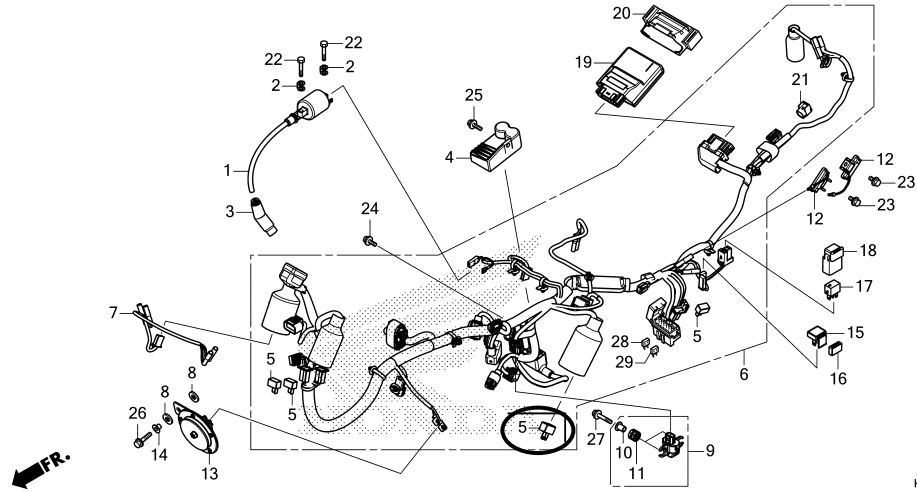
F-34	14		NUT, RR. FENDER.....	-	-	-	0	90311-KTE-910	2ID, 4ID
	23	90501-KOY-D00	WASHER, PLAIN, 5MM.....	-	-	-	2		2ID, 4ID

PARTS CATALOGUE NEWS

BOOKNo. : 18KOEJD2

Block No.	Ref. No.	Part No.	Description	Reqd. QTY				Base Part No.	Parts catalogue code
				J	K	M	N		

F-38-1 WIRE HARNESS (2)



F-38-1	5	31700-124-008	RECTIFIER ASSY., SILICON (SHINDENGEN)	-	-	-	4		21D, 41D
	6	32100-KOE-D60	HARNESS, WIRE.....	-	-	-	1	32100-KOE-D50	21D, 41D
	19	38770-KOE-D62	PGM-FI UNIT.....	-	-	-	1	38770-KOE-D52	21D, 41D
F-39	1	50100-KOE-D60	BODY COMP., FRAME.....	-	-	-	1	50100-KOE-D50	21D, 41D
F-43	3	61305-KOE-D00ZL	GARNISH, R. FR. (WOL) *R393*..... SPORTS RED 2	-	-	-	1		21D, 41D
		61305-KOE-D00ZM	GARNISH, R. FR. (WOL) *NHC54M* MAT STEEL BLACK METALLIC	-	-	-	1		21D, 41D
		61305-KOE-D00ZN	GARNISH, R. FR. (WOL) *NHC43M* STRONTIUM SILVER METALLIC	-	-	-	1		21D, 41D
			GARNISH, R. FR. (WOL) *NHB05P*.. PEARL IGNEOUS BLACK	-	-	-	0	61305-KOE-D00ZC	21D, 41D

## PARTS CATALOGUE NEWS

BOOKNo. :18KOEJD2

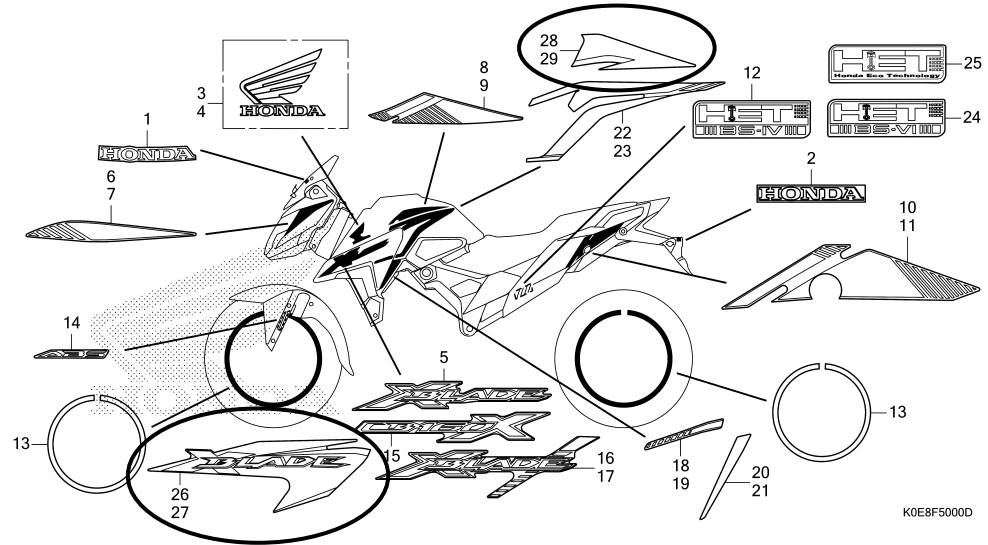
Block No.	Ref. No.	Part No.	Description	Reqd. QTY				Base Part No.	Parts catalogue code
				J	CBF160FS K	M	N		
			GARNISH, R. FR. (WOL) *R392P*... PEARL SPARTAN RED 2	-	-	-	0	61305-KOE-D00ZG	21D, 41D
			GARNISH, R. FR. (WOL) *NH303M* MAT AXIS GRAY METALLIC	-	-	-	0	61305-KOE-D00ZH	21D, 41D
			GARNISH, R. FR. (WOL) *GY156M* MAT MARSHAL GREEN METALLIC 2	-	-	-	0	61305-KOE-D00ZJ	21D, 41D
4		61315-KOE-D00ZL	GARNISH, L. FR. (WOL) *R393*..... SPORTS RED 2	-	-	-	1		21D, 41D
		61315-KOE-D00ZM	GARNISH, L. FR. (WOL) *NHC54M* MAT STEEL BLACK METALLIC	-	-	-	1		21D, 41D
		61315-KOE-D00ZN	GARNISH, L. FR. (WOL) *NHC43M* STRONTIUM SILVER METALLIC	-	-	-	1		21D, 41D
			GARNISH, L. FR. (WOL) *NHB05P*... PEARL IGNEOUS BLACK	-	-	-	0	61315-KOE-D00ZC	21D, 41D
			GARNISH, L. FR. (WOL) *R392P*... PEARL SPARTAN RED 2	-	-	-	0	61315-KOE-D00ZG	21D, 41D
			GARNISH, L. FR. (WOL) *NH303M* MAT AXIS GRAY METALLIC	-	-	-	0	61315-KOE-D00ZH	21D, 41D
			GARNISH, L. FR. (WOL) *GY156M* MAT MARSHAL GREEN METALLIC 2	-	-	-	0	61315-KOE-D00ZJ	21D, 41D

PARTS CATALOGUE NEWS

BOOKNo. : 18KOEJD2

Block No.	Ref. No.	Part No.	Description	Reqd. QTY				Base Part No.	Parts catalogue code
				J	K	M	N		

F-50 MARK/STRIPE



KOE8F5000D

F-50	13	86421-KOE-DAOZA	STRIPE, WHEEL *TYPE4*	-	-	-	4	86421-KOE-D50ZB	21D, 41D
		86421-KOE-DAOZB	STRIPE, WHEEL *TYPE3*	-	-	-	4	86421-KOE-D50ZC	21D, 41D
		86421-KOE-DAOZC	STRIPE, WHEEL *TYPE2*	-	-	-	4	86421-KOE-D50ZD	21D, 41D
		86421-KOE-DAOZD	STRIPE, WHEEL *TYPE1*	-	-	-	4	86421-KOE-D50ZE	21D, 41D
			STRIPE, WHEEL *TYPE5*	-	-	-	0	86421-KOE-D50ZA	21D, 41D
	16		STRIPE A, R. SHROUD GARNISH *TYPE6*	-	-	-	0	86503-KOE-D50ZA	21D, 41D
			STRIPE A, R. SHROUD GARNISH *TYPE5*	-	-	-	0	86503-KOE-D50ZB	21D, 41D
			STRIPE A, R. SHROUD GARNISH *TYPE4*	-	-	-	0	86503-KOE-D50ZC	21D, 41D

PARTS CATALOGUE NEWS

BOOKNo. : 18KOEJD2

Block No.	Ref. No.	Part No.	Description	Reqd. QTY				Base Part No.	Parts catalogue code
				J	CBF160FS K	M	N		
			STRIPE A, R. SHROUD GARNISH *TYPE3*.....	-	-	-	0	86503-KOE-D50ZD	21D, 41D
			STRIPE A, R. SHROUD GARNISH *TYPE2*.....	-	-	-	0	86503-KOE-D50ZE	21D, 41D
			STRIPE A, R. SHROUD GARNISH *TYPE1*.....	-	-	-	0	86503-KOE-D50ZF	21D, 41D
	17		STRIPE A, L. SHROUD GARNISH *TYPE6*.....	-	-	-	0	86504-KOE-D50ZA	21D, 41D
			STRIPE A, L. SHROUD GARNISH *TYPE5*.....	-	-	-	0	86504-KOE-D50ZB	21D, 41D
			STRIPE A, L. SHROUD GARNISH *TYPE4*.....	-	-	-	0	86504-KOE-D50ZC	21D, 41D
			STRIPE A, L. SHROUD GARNISH *TYPE3*.....	-	-	-	0	86504-KOE-D50ZD	21D, 41D
			STRIPE A, L. SHROUD GARNISH *TYPE2*.....	-	-	-	0	86504-KOE-D50ZE	21D, 41D
			STRIPE A, L. SHROUD GARNISH *TYPE1*.....	-	-	-	0	86504-KOE-D50ZF	21D, 41D
	18		STRIPE B, R. SHROUD GARNISH *TYPE6*.....	-	-	-	0	86505-KOE-D50ZA	21D, 41D
			STRIPE B, R. SHROUD GARNISH *TYPE5*.....	-	-	-	0	86505-KOE-D50ZB	21D, 41D
			STRIPE B, R. SHROUD GARNISH *TYPE4*.....	-	-	-	0	86505-KOE-D50ZC	21D, 41D
			STRIPE B, R. SHROUD GARNISH *TYPE3*.....	-	-	-	0	86505-KOE-D50ZD	21D, 41D
			STRIPE B, R. SHROUD GARNISH *TYPE2*.....	-	-	-	0	86505-KOE-D50ZE	21D, 41D
			STRIPE B, R. SHROUD GARNISH *TYPE1*.....	-	-	-	0	86505-KOE-D50ZF	21D, 41D
	19		STRIPE B, L. SHROUD GARNISH *TYPE6*.....	-	-	-	0	86506-KOE-D50ZA	21D, 41D



PARTS CATALOGUE NEWS

BOOKNo. : 18KOEJD2

Block No.	Ref. No.	Part No.	Description	Reqd. QTY				Base Part No.	Parts catalogue code
				J	CBF160FS K	M	N		
			STRIPE B, L. SHROUD GARNISH *TYPE5*.....	-	-	-	0	86506-KOE-D50ZB	21D, 41D
			STRIPE B, L. SHROUD GARNISH *TYPE4*.....	-	-	-	0	86506-KOE-D50ZC	21D, 41D
			STRIPE B, L. SHROUD GARNISH *TYPE3*.....	-	-	-	0	86506-KOE-D50ZD	21D, 41D
			STRIPE B, L. SHROUD GARNISH *TYPE2*.....	-	-	-	0	86506-KOE-D50ZE	21D, 41D
			STRIPE B, L. SHROUD GARNISH *TYPE1*.....	-	-	-	0	86506-KOE-D50ZF	21D, 41D
	20		STRIPE C, R. SHROUD GARNISH *TYPE6*.....	-	-	-	0	86507-KOE-D50ZA	21D, 41D
			STRIPE C, R. SHROUD GARNISH *TYPE5*.....	-	-	-	0	86507-KOE-D50ZB	21D, 41D
			STRIPE C, R. SHROUD GARNISH *TYPE4*.....	-	-	-	0	86507-KOE-D50ZC	21D, 41D
			STRIPE C, R. SHROUD GARNISH *TYPE3*.....	-	-	-	0	86507-KOE-D50ZD	21D, 41D
			STRIPE C, R. SHROUD GARNISH *TYPE2*.....	-	-	-	0	86507-KOE-D50ZE	21D, 41D
			STRIPE C, R. SHROUD GARNISH *TYPE1*.....	-	-	-	0	86507-KOE-D50ZF	21D, 41D
	21		STRIPE C, L. SHROUD GARNISH *TYPE6*.....	-	-	-	0	86508-KOE-D50ZA	21D, 41D
			STRIPE C, L. SHROUD GARNISH *TYPE5*.....	-	-	-	0	86508-KOE-D50ZB	21D, 41D
			STRIPE C, L. SHROUD GARNISH *TYPE4*.....	-	-	-	0	86508-KOE-D50ZC	21D, 41D
			STRIPE C, L. SHROUD GARNISH *TYPE3*.....	-	-	-	0	86508-KOE-D50ZD	21D, 41D
			STRIPE C, L. SHROUD GARNISH *TYPE2*.....	-	-	-	0	86508-KOE-D50ZE	21D, 41D

## PARTS CATALOGUE NEWS

BOOKNo. :18KOEJD2

Block No.	Ref. No.	Part No.	Description	Reqd. QTY				Base Part No.	Parts catalogue code
				J	CBF160FS K	M	N		
			STRIPE C, L. SHROUD GARNISH *TYPE1*.....	-	-	-	0	86508-KOE-D50ZF	21D, 41D
	22		STRIPE, R. FUEL TANK COVER *TYPE6*.....	-	-	-	0	86641-KOE-D50ZA	21D, 41D
			STRIPE, R. FUEL TANK COVER *TYPE5*.....	-	-	-	0	86641-KOE-D50ZB	21D, 41D
			STRIPE, R. FUEL TANK COVER *TYPE4*.....	-	-	-	0	86641-KOE-D50ZC	21D, 41D
			STRIPE, R. FUEL TANK COVER *TYPE3*.....	-	-	-	0	86641-KOE-D50ZD	21D, 41D
			STRIPE, R. FUEL TANK COVER *TYPE2*.....	-	-	-	0	86641-KOE-D50ZE	21D, 41D
			STRIPE, R. FUEL TANK COVER *TYPE1*.....	-	-	-	0	86641-KOE-D50ZF	21D, 41D
	23		STRIPE, L. FUEL TANK COVER *TYPE6*.....	-	-	-	0	86642-KOE-D50ZA	21D, 41D
			STRIPE, L. FUEL TANK COVER *TYPE5*.....	-	-	-	0	86642-KOE-D50ZB	21D, 41D
			STRIPE, L. FUEL TANK COVER *TYPE4*.....	-	-	-	0	86642-KOE-D50ZC	21D, 41D
			STRIPE, L. FUEL TANK COVER *TYPE3*.....	-	-	-	0	86642-KOE-D50ZD	21D, 41D
			STRIPE, L. FUEL TANK COVER *TYPE2*.....	-	-	-	0	86642-KOE-D50ZE	21D, 41D
			STRIPE, L. FUEL TANK COVER *TYPE1*.....	-	-	-	0	86642-KOE-D50ZF	21D, 41D
	24		MARK (HET BS 6) *TYPE1*..... (R. SIDE ONLY)	-	-	-	0	86833-KOL-D00ZA	21D, 41D
	26	86503-KOE-DAOZA	STRIPE, R. SHROUD GARNISH *TYPE5*.....	-	-	-	1		21D, 41D
		86503-KOE-DAOZB	STRIPE, R. SHROUD GARNISH *TYPE4*.....	-	-	-	1		21D, 41D

## PARTS CATALOGUE NEWS

BOOKNo. :18KOEJD2

Block No.	Ref. No.	Part No.	Description	Reqd. QTY				Base Part No.	Parts catalogue code
				J	CBF160FS K	M	N		
		86503-K0E-DAOZC	STRIPE, R. SHROUD GARNISH *TYPE3*.....	-	-	-	1	21D, 41D	
		86503-K0E-DAOZD	STRIPE, R. SHROUD GARNISH *TYPE2*.....	-	-	-	1	21D, 41D	
		86503-K0E-DAOZE	STRIPE, R. SHROUD GARNISH *TYPE1*.....	-	-	-	1	21D, 41D	
27		86504-K0E-DAOZA	STRIPE, L. SHROUD GARNISH *TYPE5*.....	-	-	-	1	21D, 41D	
		86504-K0E-DAOZB	STRIPE, L. SHROUD GARNISH *TYPE4*.....	-	-	-	1	21D, 41D	
		86504-K0E-DAOZC	STRIPE, L. SHROUD GARNISH *TYPE3*.....	-	-	-	1	21D, 41D	
		86504-K0E-DAOZD	STRIPE, L. SHROUD GARNISH *TYPE2*.....	-	-	-	1	21D, 41D	
		86504-K0E-DAOZE	STRIPE, L. SHROUD GARNISH *TYPE1*.....	-	-	-	1	21D, 41D	
28		86641-K0E-DAOZA	STRIPE, R. FUEL TANK COVER *TYPE5*.....	-	-	-	1	21D, 41D	
		86641-K0E-DAOZB	STRIPE, R. FUEL TANK COVER *TYPE4*.....	-	-	-	1	21D, 41D	
		86641-K0E-DAOZC	STRIPE, R. FUEL TANK COVER *TYPE3*.....	-	-	-	1	21D, 41D	
		86641-K0E-DAOZD	STRIPE, R. FUEL TANK COVER *TYPE2*.....	-	-	-	1	21D, 41D	
		86641-K0E-DAOZE	STRIPE, R. FUEL TANK COVER *TYPE1*.....	-	-	-	1	21D, 41D	
29		86642-K0E-DAOZA	STRIPE, L. FUEL TANK COVER *TYPE5*.....	-	-	-	1	21D, 41D	
		86642-K0E-DAOZB	STRIPE, L. FUEL TANK COVER *TYPE4*.....	-	-	-	1	21D, 41D	
		86642-K0E-DAOZC	STRIPE, L. FUEL TANK COVER *TYPE3*.....	-	-	-	1	21D, 41D	

PARTS CATALOGUE NEWS

BOOKNo. : 18KOEJD2

Block No.	Ref. No.	Part No.	Description	Reqd. QTY				Base Part No.	Parts catalogue code
				J	CBF160FS K	M	N		
		86642-KOE-DAOZD	STRIPE, L. FUEL TANK COVER *TYPE2*.....	-	-	-	1	21D, 41D	
		86642-KOE-DAOZE	STRIPE, L. FUEL TANK COVER *TYPE1*.....	-	-	-	1	21D, 41D	



# PARTS CATALOGUE NEWS

Honda Motor Co., Ltd.

## PARTS CATALOGUE - CORRECTED

CODE NO.	18K0EJD2
PARTS CATALOGUE NEWS	CBF160FS CBF160FS J CBF160FS K CBF160FS M
NEWS NO.	017

Block No.	Ref. No.	Note	Part No.	Description	Reqd. QTY	Serial No.	Parts catalogue code
					J K M N		
E-2-1	4	E	12252-K38-900	*PART NO. DELETION			
E-16	2	E	13021-K38-900	*PART NO. DELETION			
		E	13031-K38-900	*PART NO. DELETION			
		E	13041-K38-900	*PART NO. DELETION			
		E	13051-K38-900	*PART NO. DELETION			
	3	E	13102-K38-900	*PART NO. DELETION			
		E	13103-K38-900	*PART NO. DELETION			
		E	13104-K38-900	*PART NO. DELETION			
		E	13105-K38-900	*PART NO. DELETION			

NOTE A:PART NO. CHANGE D:NEWLY PROVIDED E:PART NO.DELETION K:REQUIRED NO. CORRECTION L:APPLICATION SERIAL NO. CORRECTION  
M:PART DESCRIPTION CORRECTION T:APPLICATION CORRECTION Z:REMARKS CHANGE



# PARTS CATALOGUE NEWS

Honda Motor Co., Ltd.

## PARTS CATALOGUE - CORRECTED

CODE NO.	18K0EJD2
PARTS CATALOGUE NEWS	CBF160FS CBF160FS J/K/M
NEWS NO.	018

CBF160FS (CBF160FSN).....2ID

No.	MODEL		CBF160FSN							Applicable block No.	Ref. No.
	COLOR		Strontium silver metallic	Sports red 2	Mat marvel blue metallic	Mat steel black metallic	Applicable model				
	CODE		NH-C43M	R-393	B-227M	NH-C54M	Initial applicable model	Final applicable model			
	Name of colored parts	Basic part No.	NHC43	R393	B227	NHC54					
25	MIRROR COMP., R.	88210-K38-941	ZA	ZA	ZA	ZA			F-3	2	
26	PANEL COMP., RR. BRAKE	43100-KYE-910	ZB	ZB	ZB	ZB			F-18	2	
27	PIPE, STEERING HANDLE	53100-K0E-D00	ZA	ZA	ZA	ZA			F-7	5	
28	SHROUD SET, L. GARNISH	50250-K0E-DA0	ZE	ZD	ZC	ZB			F-21-20	2	
29	SHROUD SET, R. GARNISH	50240-K0E-DA0	ZE	ZD	ZC	ZB			F-21-20	1	
30	STRIPE, L. FUEL TANK COVER	86642-K0E-DA0	ZE	ZD	ZC	ZB			F-50	29	
31	STRIPE, L. SHROUD GARNISH	86504-K0E-DA0	ZE	ZD	ZC	ZB			F-50	27	
32	STRIPE, R. FUEL TANK COVER	86641-K0E-DA0	ZE	ZD	ZC	ZB			F-50	28	
33	STRIPE, R. SHROUD GARNISH	86503-K0E-DA0	ZE	ZD	ZC	ZB			F-50	26	
34	STRIPE, WHEEL	86421-K0E-DA0	ZD	ZD	ZC	<b>ZD</b>			F-50	13	
35	VISOR SET, FR.	61300-K0E-D00	ZA	ZA	ZA	ZA			F-43	1	
36	WHEEL SUB ASSY., FR.	44650-K0E-DA0	ZD	ZD	ZC	<b>ZD</b>			F-14-40	16	
37	WHEEL SUB ASSY., RR.	42650-K0E-DA0	ZD	ZD	ZC	<b>ZD</b>			F-19-30	19	

NOTE A:PART NO. CHANGE D:NEWLY PROVIDED E:PART NO. DELETION K:REQUIRED NO. CORRECTION L:APPLICATION SERIAL NO. CORRECTION  
M:PART DESCRIPTION CORRECTION T:APPLICATION CORRECTION Z:REMARKS CHANGE

## CBF160FS (CBF160FSN).....2ID

No.	MODEL		CBF160FSN				
	COLOR		Mat marmalade orange metallic YR-371M	Applicable model		Applicable block No.	Ref. No.
	CODE			YR371	Initial applicable model		
	Name of colored parts	Basic part No.					
25	MIRROR COMP., R.	88210-K38-941	ZA			F-3	2
26	PANEL COMP., RR. BRAKE	43100-KYE-910	ZB			F-18	2
27	PIPE, STEERING HANDLE	53100-K0E-D00	ZA			F-7	5
28	SHROUD SET, L. GARNISH	50250-K0E-DA0	ZA			F-21-20	2
29	SHROUD SET, R. GARNISH	50240-K0E-DA0	ZA			F-21-20	1
30	STRIPE, L. FUEL TANK COVER	86642-K0E-DA0	ZA			F-50	29
31	STRIPE, L. SHROUD GARNISH	86504-K0E-DA0	ZA			F-50	27
32	STRIPE, R. FUEL TANK COVER	86641-K0E-DA0	ZA			F-50	28
33	STRIPE, R. SHROUD GARNISH	86503-K0E-DA0	ZA			F-50	26
34	STRIPE, WHEEL	86421-K0E-DA0	<b>ZB</b>			F-50	13
35	VISOR SET, FR.	61300-K0E-D00	ZA			F-43	1
36	WHEEL SUB ASSY., FR.	44650-K0E-DA0	<b>ZB</b>			F-14-40	16
37	WHEEL SUB ASSY., RR.	42650-K0E-DA0	<b>ZB</b>			F-19-30	19

NOTE A:PART NO. CHANGE D:NEWLY PROVIDED E:PART NO. DELETION K:REQUIRED NO. CORRECTION L:APPLICATION SERIAL NO. CORRECTION  
M:PART DESCRIPTION CORRECTION T:APPLICATION CORRECTION Z:REMARKS CHANGE

PARTS CATALOGUE NEWS

BOOKNo. : 18KOEJD2

CBF160FS (CBF160FSN).....4ID

No.	MODEL		CBF160FSN							
	COLOR		Strontium silver metallic	Sports red 2	Mat marvel blue metallic	Mat steel black metallic	Applicable model		Applicable block No.	Ref. No.
	CODE		NH-C43M	R-393	B-227M	NH-C54M				
	Name of colored parts	Basic part No.	NHC43	R393	B227	NHC54	Initial applicable model	Final applicable model		
25	MIRROR COMP., R.	88210-K38-941	ZA	ZA	ZA	ZA			F-3	2
26	PIPE, STEERING HANDLE	53100-K0E-D00	ZA	ZA	ZA	ZA			F-7	5
27	SHROUD SET, L. GARNISH	50250-K0E-DA0	ZE	ZD	ZC	ZB			F-21-20	2
28	SHROUD SET, R. GARNISH	50240-K0E-DA0	ZE	ZD	ZC	ZB			F-21-20	1
29	STRIPE, L. FUEL TANK COVER	86642-K0E-DA0	ZE	ZD	ZC	ZB			F-50	29
30	STRIPE, L. SHROUD GARNISH	86504-K0E-DA0	ZE	ZD	ZC	ZB			F-50	27
31	STRIPE, R. FUEL TANK COVER	86641-K0E-DA0	ZE	ZD	ZC	ZB			F-50	28
32	STRIPE, R. SHROUD GARNISH	86503-K0E-DA0	ZE	ZD	ZC	ZB			F-50	26
33	STRIPE, WHEEL	86421-K0E-DA0	ZD	ZD	ZC	<b>ZD</b>			F-50	13
34	VISOR SET, FR.	61300-K0E-D00	ZA	ZA	ZA	ZA			F-43	1
35	WHEEL SUB ASSY., FR.	44650-K0E-DA0	ZD	ZD	ZC	<b>ZD</b>			F-14-40	16
36	WHEEL SUB ASSY., RR.	42650-K0E-DB0	ZD	ZD	ZC	<b>ZD</b>			F-19-40	9

NOTE A:PART NO. CHANGE D:NEWLY PROVIDED E:PART NO. DELETION K:REQUIRED NO. CORRECTION L:APPLICATION SERIAL NO. CORRECTION  
M:PART DESCRIPTION CORRECTION T:APPLICATION CORRECTION Z:REMARKS CHANGE



CBF160FS (CBF160FSN).....4ID

No.	MODEL		CBF160FSN				
	COLOR		Mat marmalade orange metallic YR-371M	Applicable model		Applicable block No.	Ref. No.
	CODE			YR371	Initial applicable model		
	Name of colored parts	Basic part No.					
25	MIRROR COMP., R.	88210-K38-941	ZA			F-3	2
26	PIPE, STEERING HANDLE	53100-K0E-D00	ZA			F-7	5
27	SHROUD SET, L. GARNISH	50250-K0E-DA0	ZA			F-21-20	2
28	SHROUD SET, R. GARNISH	50240-K0E-DA0	ZA			F-21-20	1
29	STRIPE, L. FUEL TANK COVER	86642-K0E-DA0	ZA			F-50	29
30	STRIPE, L. SHROUD GARNISH	86504-K0E-DA0	ZA			F-50	27
31	STRIPE, R. FUEL TANK COVER	86641-K0E-DA0	ZA			F-50	28
32	STRIPE, R. SHROUD GARNISH	86503-K0E-DA0	ZA			F-50	26
33	STRIPE, WHEEL	86421-K0E-DA0	<b>ZB</b>			F-50	13
34	VISOR SET, FR.	61300-K0E-D00	ZA			F-43	1
35	WHEEL SUB ASSY., FR.	44650-K0E-DA0	<b>ZB</b>			F-14-40	16
36	WHEEL SUB ASSY., RR.	42650-K0E-DB0	<b>ZB</b>			F-19-40	9

NOTE A:PART NO. CHANGE D:NEWLY PROVIDED E:PART NO. DELETION K:REQUIRED NO. CORRECTION L:APPLICATION SERIAL NO. CORRECTION  
M:PART DESCRIPTION CORRECTION T:APPLICATION CORRECTION Z:REMARKS CHANGE

PARTS CATALOGUE NEWS

BOOKNo. : 18KOEJD2

Block No.	Ref. No.	Note	Part No.	Description	Reqd. QTY				Serial No.	Parts catalogue code
					J	CBF160FS K	M	N		
F-14-40	16	E	44650-K0E-DAOZA	*PART NO. DELETION						
F-19-30	19	E	42650-K0E-DAOZA	*PART NO. DELETION						
F-19-40	9	E	42650-K0E-DBOZA	*PART NO. DELETION						
F-50	13	E	86421-K0E-DAOZA	*PART NO. DELETION						

NOTE A:PART NO. CHANGE D:NEWLY PROVIDED E:PART NO. DELETION K:REQUIRED NO. CORRECTION L:APPLICATION SERIAL NO. CORRECTION  
M:PART DESCRIPTION CORRECTION T:APPLICATION CORRECTION Z:REMARKS CHANGE